

TABLE OF CONTENTS

RWEYQ-PY1

1	Specifications	1
	Independent Unit	1
	Technical Specifications	1
	Electrical Specifications (50Hz)	3
2	Electrical data	5
3	Options	6
4	Capacity tables	7
	Combination table	7
	Cooling capacity tables	8
	Heating capacity tables	35
	Capacity correction factor	62
5	Dimensional drawing & centre of gravity	65
	Dimensional drawing	65
	Centre of gravity	66
6	Piping diagram	67
7	Wiring diagram	68
	Wiring diagram	68
	External connection diagram	69
8	Sound data	70
	Sound pressure spectrum	70
9	Installation	71
	Service space	71
	Refrigerant pipe selection	72
10	Operation range	74

1 Specifications

1-1 INDEPENDENT UNIT		RWEYQ8PY1	RWEYQ10PY1	RWEYQ16PY1	RWEYQ18PY1	RWEYQ20PY1
Outdoor Unit		RWEYQ8PY1	RWEYQ10PY1	RWEYQ8PY1	RWEYQ10PY1	RWEYQ10PY1
				RWEYQ8PY1	RWEYQ8PY1	RWEYQ10PY1

1-1 INDEPENDENT UNIT		RWEYQ24PY1	RWEYQ26PY1	RWEYQ28PY1	RWEYQ30PY1
Outdoor Unit		RWEYQ8PY1	RWEYQ10PY1	RWEYQ10PY1	RWEYQ10PY1
		RWEYQ8PY1	RWEYQ8PY1	RWEYQ10PY1	RWEYQ10PY1
		RWEYQ8PY1	RWEYQ8PY1	RWEYQ8PY1	RWEYQ10PY1

1-2 TECHNICAL SPECIFICATIONS				RWEYQ8PY1	RWEYQ10PY1	RWEYQ16PY1	RWEYQ18PY1	RWEYQ20PY1	
Capacity	Cooling	kW		22.4	26.7	44.8	49.1	53.4	
	Heating	kW		25.0	31.5	50.0	56.5	63.0	
Casing	Colour			Ivory white (5Y7,5/1)					
Dimensions	Unit	Height	mm	1,000					
		Width	mm	780	780	780 + 780	780 + 780	780 + 780	
		Depth	mm	550	550	550	550	550	
Weight	Unit		kg	149	150	149 + 149	150 + 149	150 + 150	
Heat Exchanger	Dimensions	Type		Stainless steel plate					
Compressor	Piston displacement		m	14.61	14.61	14.61 + 14.61	14.61 + 14.61	14.61 + 14.61	
	Motor	Type			Hermetically sealed scroll compressor				
		Speed	rpm		6,900	6,900	6,900 + 6,900	6,900 + 6,900	6,900 + 6,900
		Motor Output	kW		4.0	4.2	4.0 + 4.0	4.2 + 4.0	4.2 + 4.2
		Starting Method			Soft start				
Sound level	Cooling	Sound Pressure (Nominal)	dBA	50	51	53	54	54	
Refrigerant	Name			R-410A					
	Charge	kg		3.5	4.2	3.5 + 3.5	4.2 + 3.5	4.2 + 4.2	
	Control			Expansion valve (electronic type)					
Refrigerant Oil	Name			Synthetic (ether) oil					
Piping connections	Liquid (OD)	Type		Flare connection					
		Diameter (OD)	mm	9.52	9.52	12.7	15.9	15.9	
	Discharge Gas	Type			Braze connection				
		Diameter (OD)	mm		19.1	22.2	28.6	28.6	28.6
	Water inlet			PT1 1/4B internal thread					
	Water outlet			PT1 1/4B internal thread					
	Drain outlet			PS1 1/2B internal thread	PS1 1/2B internal thread	PS 1/2B internal thread	PS 1/2B internal thread	PS 1/2B internal thread	
Capacity Control				23 to 100	23 to 100	11 to 100	11 to 100	11 to 100	
Safety devices				HPS					
				Inverter overload protector					
				Fusible plugs					
Standard Accessories	Standard Accessories			Installation manual					
				Operation manual					
				Connection pipes					
	Clamps	Cramps	Cramps	Cramps	Cramps	Cramps			

1 Specifications

1-2 TECHNICAL SPECIFICATIONS	RWEYQ8PY1	RWEYQ10PY1	RWEYQ16PY1	RWEYQ18PY1	RWEYQ20PY1
Notes	Nominal cooling capacities are based on : indoor temperature : 27×CDB, 19×CWB, inlet water temperature : 30×C, equivalent refrigerant piping : 7.5m, level difference : 0m.				
	Nominal heating capacities are based on : indoor temperature : 20×CDB, inlet water temperature : 20×C, equivalent refrigerant piping : 7.5m, level difference : 0m				
	25	25	25	25	25
	Hold ambient temperature at 0-46×C and humidity at 80%RH or less. Heat rejection from the casing: 0.64kW/8HP	Hold ambient temperature at 0-40×C and humidity at 80%RH or less. Heat rejection from the casing: 0.71kW/10HP	Hold ambient temperature at 0-40×C and humidity at 80%RH or less. Heat rejection from the casing: 0.64kW/8HP	Hold ambient temperature at 0-40×C and humidity at 80%RH or less. Heat rejection from the casing: 0.64kW/8HP	Hold ambient temperature at 0-40×C and humidity at 80%RH or less. Heat rejection from the casing: 0.71kW/10HP
				Hold ambient temperature at 0-40×C and humidity at 80%RH or less. Heat rejection from the casing: 0.71kW/10HP	

1-2 TECHNICAL SPECIFICATIONS				RWEYQ24PY1	RWEYQ26PY1	RWEYQ28PY1	RWEYQ30PY1	
Capacity	Cooling	kW		67.2	71.5	75.8	80.1	
	Heating	kW		75.0	81.5	88.0	94.5	
Casing	Colour			Ivory white (5Y7,5/1)				
Dimensions	Unit	Height	mm	1,000				
		Width	mm	780 + 780 + 780				
		Depth	mm	550	550	550	550	
Weight	Unit		kg	149 + 149 + 149	150 + 149 + 149	150 + 150 + 149	150 + 150 + 150	
Heat Exchanger	Dimensions	Type		Stainless steel plate				
Compressor	Piston displacement		m	14.61 + 14.61 + 14.61				
	Motor	Type		Hermetically sealed scroll compressor				
		Speed	rpm		6,900 + 6,900 + 6,900			
		Motor Output	kW		4.0 + 4.0 + 4.0	4.2 + 4.0 + 4.0	4.2 + 4.2 + 4.0	4.2 + 4.2 + 4.2
Starting Method		Soft start						
Sound level	Cooling	Sound Pressure (Nominal)	dBA	55	55	55	56	
Refrigerant	Name			R-410A				
	Charge	kg		3.5 + 3.5 + 3.5	4.2 + 3.5 + 3.5	4.2 + 4.2 + 3.5	4.2 + 4.2 + 4.2	
	Control			Expansion valve (electronic type)				
Refrigerant Oil	Name			Synthetic (ether) oil				
Piping connections	Liquid (OD)	Type		Flare connection				
		Diameter (OD)	mm	15.9	19.1	19.1	19.1	
	Discharge Gas	Type		Braze connection				
		Diameter (OD)	mm	34.9	34.9	34.9	34.9	
	Water inlet		PT1 1/4B internal thread					
	Water outlet		PT1 1/4B internal thread					
Drain outlet		PS 1/2B internal thread						
Capacity Control				8 to 100				
Safety devices				HPS				
				Inverter overload protector				
				Fusible plugs				
Standard Accessories	Standard Accessories			Installation manual				
				Operation manual				
				Connection pipes				
				Cramps				

1 Specifications

1
1

1-2 TECHNICAL SPECIFICATIONS		RWEYQ24PY1	RWEYQ26PY1	RWEYQ28PY1	RWEYQ30PY1
Notes	Nominal cooling capacities are based on : indoor temperature : 27×CDB, 19×CWB, inlet water temperature : 30×C, equivalent refrigerant piping : 7.5m, level difference : 0m.				
	Nominal heating capacities are based on : indoor temperature : 20×CDB, inlet water temperature : 20×C, equivalent refrigerant piping : 7.5m, level difference : 0m				
	25		25	25	25
	Hold ambient temperature at 0-40×C and humidity at 80%RH or less. Heat rejection from the casing: 0.64kW/8HP		Hold ambient temperature at 0-40×C and humidity at 80%RH or less. Heat rejection from the casing: 0.64kW/8HP	Hold ambient temperature at 0-40×C and humidity at 80%RH or less. Heat rejection from the casing: 0.64kW/8HP	Hold ambient temperature at 0-40×C and humidity at 80%RH or less. Heat rejection from the casing: 0.71kW/10HP
			Hold ambient temperature at 0-40×C and humidity at 80%RH or less. Heat rejection from the casing: 0.71kW/10HP	Hold ambient temperature at 0-40×C and humidity at 80%RH or less. Heat rejection from the casing: 0.71kW/10HP	

1-3 ELECTRICAL SPECIFICATIONS (50HZ)			RWEYQ8PY1	RWEYQ10PY1	RWEYQ16PY1	RWEYQ18PY1	RWEYQ20PY1
Power Supply	Name				Y1	Y1	Y1
	Phase		3~				
	Frequency	Hz	50	50	50	50	50
	Voltage		380-415				
Current	Maximum Running Current	A	7.2	9.5	7.2 + 7.2	7.2 + 9.5	9.5 + 9.5
	Minimum circuit amps (MCA)	A	12.6	12.6	25.3	25.3	25.3
	Maximum fuse amps (MFA)	A	25	25	35	35	35
	Total overcurrent amps (TOCA)	A	13.5	13.5	27.0	27.0	27.0
Voltage range	Minimum	V	342	342	342	342	342
	Maximum	V	456	456	456	456	456
Notes			RLA is based on the following conditions: Indoor: 27× CDB, 19× CWB, Inlet water: 30×C				
			TOCA means the total value of each OC set				
			MSC means the maximum current during start up of the compressor				
			Voltage range : units are suitable for use on electrical systems where voltage supplied to unit terminal is not below or above listed range limits				
			Maximum allowable voltage range variation between phases is 2%				
			Select wire size based on the larger value of MCA or TOCA				
			MFA is used to select the circuit breaker and the ground fault circuit interrupter (earth leakage circuit breaker)				

1-3 ELECTRICAL SPECIFICATIONS (50HZ)			RWEYQ24PY1	RWEYQ26PY1	RWEYQ28PY1	RWEYQ30PY1
Power Supply	Name		Y1			
	Phase		3~			
	Frequency	Hz	50	50	50	50
	Voltage		380-415			
Current	Maximum Running Current	A	7.2 + 7.2 + 7.2	7.2 + 7.2 + 9.5	7.2 + 9.5 + 9.5	9.5 + 9.5 + 9.5
	Minimum circuit amps (MCA)	A	37.9	37.9	37.9	37.9
	Maximum fuse amps (MFA)	A	45	45	45	45
	Total overcurrent amps (TOCA)	A	40.5	40.5	40.5	40.5
Voltage range	Minimum	V	342	342	342	342
	Maximum	V	456	456	456	456
Notes			RLA is based on the following conditions: Indoor: 27× CDB, 19× CWB, Inlet water: 30×C			
			TOCA means the total value of each OC set			
			MSC means the maximum current during start up of the compressor			
			Voltage range : units are suitable for use on electrical systems where voltage supplied to unit terminal is not below or above listed range limits			
			Maximum allowable voltage range variation between phases is 2%			
			Select wire size based on the larger value of MCA or TOCA			
			MFA is used to select the circuit breaker and the ground fault circuit interrupter (earth leakage circuit breaker)			

1 Specifications

2 Electrical data

1
2

RWEYQ-P

Models	Units				Power supply			Input (W)	
	Hz	Volts	min.	max.	MCA	TOCA	MFA	MSC	RLA
RWEYQ8PY1	50	380	342	456	12.6	13.5	25	-	7.5
		400						-	7.2
		415						-	6.9
RWEYQ10PY1	50	380	342	456	12.6	13.5	25	-	9.9
		400						-	9.5
		415						-	9.1
RWEYQ16PY1	50	380	342	456	25.3	27.0	35	-	7.5+7.5
		400						-	7.2+7.2
		415						-	6.9+6.9
RWEYQ18PY1	50	380	342	456	25.3	27.0	35	-	7.5+9.9
		400						-	7.2+9.5
		415						-	6.9+9.1
RWEYQ20PY1	50	380	342	456	25.3	27.0	35	-	9.9+9.9
		400						-	9.5+9.5
		415						-	9.1+9.1
RWEYQ24PY1	50	380	342	456	37.9	40.5	45	-	7.5+7.5+7.5
		400						-	7.2+7.2+7.2
		415						-	6.9+6.9+6.9
RWEYQ26PY1	50	380	342	456	37.9	40.5	45	-	7.5+7.5+9.9
		400						-	7.2+7.2+9.5
		415						-	6.9+6.9+9.1
RWEYQ28PY1	50	380	342	456	37.9	40.5	45	-	7.5+9.9+9.9
		400						-	7.2+9.5+9.5
		415						-	6.9+9.1+9.1
RWEYQ30PY1	50	380	342	456	37.9	40.5	45	-	9.9+9.9+9.9
		400						-	9.5+9.5+9.5
		415						-	9.1+9.1+9.1

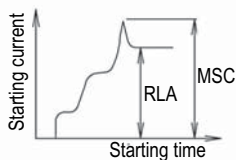
3D048287B

SYMBOLS

- MCA: Min. Circuit Amps. (A)
TOCA: Total Over-current Amps (A)
MFA: Max. Fuse Amps (A)
MSC: Max. Starting current
RLA: Rated Load Amps. (A)

NOTES

- RLA is based on the following conditions.
Indoor temp.: 27°C DB, 19°C WB
Inlet water temp. / 30°C
- TOCA means the total value of each OC set.
- MSC means the max. current during the starting of compressor.
- Voltage range
Units are suitable for use on electrical systems where voltage supplied to unit terminal is not below or above listed range limits.
- Maximum allowable voltage variation between phases is 2%.
- Select wire size based on the larger value of MCA or TOCA.
- MFA is used to select the circuit breaker and the ground fault circuit interrupter (earth leakage circuit breaker).



3 Options

RWEYQ-P

		Models								
Optional accessories		RWEYQ8PY1	RWEYQ10PY1	RWEYQ16PY1	RWEYQ18PY1	RWEYQ20PY1	RWEYQ24PY1	RWEYQ26PY1	RWEYQ28PY1	RWEYQ30PY1
Cool / Heat selector		KRC19-26A								
Fixing box		KJB111A								
Distributive piping	Refnet header	KHRP25M33H (Max. 8 branch) KHRP26M22H, KHRP26M33H (Max. 4 branch) (Max. 8 branch)	KHRP25M33H, KHRP25M72H (Max. 8 branch) (Max. 8 branch) KHRP26M22H, KHRP26M33H, KHRP26M72H (Max. 4 branch) (Max. 8 branch) (Max. 8 branch)			KHRP25M33H, KHRP25M72H, KHRP25M73H (Max. 8 branch) (Max. 8 branch) (Max. 8 branch) KHRP26M22H, KHRP26M33H, KHRP26M72H, KHRP26M73H (Max. 4 branch) (Max. 8 branch) (Max. 8 branch) (Max. 8 branch)				
	Refnet join	KHRP25A22T, KHRP25A33T KHRP26A22T, KHRP26A33T	KHRP25A22T, KHRP25A33T, KHRP25A72T KHRP26A22T, KHRP26A33T, KHRP26A72T			KHRP25A22T, KHRP25A33T, KHRP25A72T, KHRP25A73T KHRP26A22T, KHRP26A33T, KHRP26A72T, KHRP26A73T				
	Outside unit multi connection piping kit	-	BHFP22MA56, BHFP26MA56			BHFP22MA84, BHFP26MA84				
External control adapter for outdoor unit		DTA104A62								
Strainer kit		BWU26A15, BWU26A20								

3D062157

NOTES

- 1 Refer to the latest drawing.
- 2 In the case of heat recovery system, COOL/HEAT selector cannot be connected.

1
3

4 Capacity tables

4 - 1 Combination table

RWEYQ-P

Water Flow Head loss

Water volume	L/min	50	60	96	120	140
Head loss	kPa	11.3	19.0	26.5	39.6	52.5
	mH ₂ O	1.2	1.9	2.7	4.1	5.3

* This value shows the amount of head loss per one unit.

CA08A496A

1

4

4 Capacity tables

4 - 2 Cooling capacity tables

RWEYQ8PY1

TC: Total Capacity: kW ; PI: Power Input: kW (compressor + outdoor fan motor) ; OWT: Outlet Water Temperatur: °C

Combination (%)	Inlet Water Temp. (°C)	Water Volume L/min	Indoor air temperature: °CDB																							
			14.0			16.0			18.0			19.0			20.0			22.0			24.0					
			TC	PI	OWT	TC	PI	OWT	TC	PI	OWT	TC	PI	OWT	TC	PI	OWT	TC	PI	OWT	TC	PI	OWT			
10	50	19.7	2.62	16.4	23.4	3.49	17.7	25.6	3.69	18.4	26.0	3.71	18.5	26.3	3.73	18.6	26.9	3.75	18.8	27.4	3.76	18.9	28.2	3.78		

CA08A496A

NOTES - ANMERKUNGEN - Σημειώσεις - NOTAS - REMARQUES - NOTE - OPMERKINGEN - примечания - NOTLAR

- 1 is shown as reference.
- dient als Verweis.
- H είναι ενδεικτική.
- se muestra como referencia.
- est montré comme référence.
- valori riportati unicamente come riferimento.
- is als referentie getoond.
- показан как.
- referans olarak gösterilmektedir.

4 Capacity tables

4 - 2 Cooling capacity tables

RWEYQ8PY1

TC: Total Capacity: kW ; PI: Power Input: kW (compressor + outdoor fan motor) ; OWT: Outlet Water Temperatur: °C

Combination (%)	Inlet Water Temp. (°C)	Water Volume L/min	Indoor air temperature: °CDB																							
			14.0			16.0			18.0			19.0			20.0			22.0			24.0					
			TC	PI	OWT	TC	PI	OWT	TC	PI	OWT	TC	PI	OWT	TC	PI	OWT	TC	PI	OWT	TC	PI	OWT			
100	10	50	15.1	1.75	14.8	18.0	2.29	15.8	20.9	2.91	16.8	22.4	3.24	17.4	23.9	3.60	17.9	25.5	3.69	18.4	26.1	3.72	18.5			
		60	15.1	1.72	14.0	18.0	2.25	14.8	20.9	2.85	15.7	22.4	3.18	16.1	23.9	3.53	16.5	25.6	3.65	17.0	26.2	3.68	17.1			
		96	15.1	1.64	12.5	18.0	2.14	13.0	20.9	2.71	13.5	22.4	3.02	13.8	23.9	3.35	14.1	26.0	3.55	14.4	26.5	3.58	14.5			
	15	50	15.1	1.81	12.0	18.0	2.10	12.4	20.9	2.65	12.8	22.4	2.96	13.0	23.9	3.28	13.2	26.1	3.52	13.5	26.7	3.54	13.6			
		60	15.1	1.61	19.9	18.0	2.37	20.8	20.9	3.01	21.9	22.4	3.36	22.4	23.9	3.72	22.9	25.1	3.80	23.3	25.6	3.83	23.4			
		96	15.1	1.78	19.0	18.0	2.33	19.9	20.9	2.95	20.7	22.4	3.29	21.1	23.9	3.65	21.6	25.2	3.76	21.9	25.7	3.79	22.1			
	20	50	15.1	1.69	17.5	18.0	2.21	18.0	20.9	2.80	18.5	22.4	3.12	18.8	23.9	3.47	19.1	25.5	3.66	19.4	26.1	3.68	19.4			
		60	15.1	1.66	17.0	18.0	2.17	17.4	20.9	2.75	17.8	22.4	3.06	18.0	23.9	3.40	18.3	25.6	3.62	18.5	26.2	3.65	18.6			
		96	15.1	1.88	24.9	18.0	2.46	25.9	20.9	3.13	26.9	22.4	3.49	27.4	23.9	3.87	28.0	24.5	3.91	28.1	25.0	3.93	28.3			
	25	50	15.1	1.85	24.1	18.0	2.42	24.9	20.9	3.07	25.7	22.4	3.42	26.2	23.9	3.80	26.6	24.6	3.87	26.8	25.1	3.90	26.9			
		60	15.1	1.76	22.5	18.0	2.30	23.0	20.9	2.91	23.6	22.4	3.25	23.8	23.9	3.60	24.1	24.9	3.76	24.3	25.5	3.79	24.4			
		96	15.1	1.73	22.0	18.0	2.25	22.4	20.9	2.86	22.8	22.4	3.18	23.1	23.9	3.53	23.3	25.0	3.72	23.4	25.6	3.75	23.5			
30	50	15.1	2.06	27.6	18.0	2.70	28.1	20.9	3.44	28.6	22.4	3.84	28.9	23.6	4.15	29.1	24.2	4.18	29.2	24.7	4.21	29.3				
	60	15.1	2.02	27.0	18.0	2.65	27.5	20.9	3.37	27.9	22.4	3.76	28.1	23.7	4.11	28.3	24.3	4.14	28.4	24.8	4.17	28.5				
	96	15.1	2.61	35.1	18.0	3.43	36.2	20.9	4.38	37.3	22.0	4.73	37.7	22.3	4.75	37.8	22.9	4.79	37.9	23.4	4.81	38.1				
35	50	15.1	2.56	34.2	18.0	3.37	35.1	20.9	4.29	36.0	22.4	4.68	36.4	22.4	4.70	36.5	23.0	4.74	36.6	23.5	4.77	36.7				
	60	15.1	2.43	32.6	18.0	3.20	33.2	20.9	4.07	33.7	22.4	4.55	34.0	22.7	4.57	34.1	23.3	4.61	34.2	23.8	4.64	34.2				
	96	15.1	2.39	32.1	18.0	3.14	32.5	20.9	3.99	33.0	22.4	4.46	33.2	22.8	4.52	33.3	23.4	4.56	33.3	23.9	4.59	33.4				
40	50	15.1	3.10	40.2	18.0	4.09	41.3	20.8	5.14	42.4	21.1	5.17	42.5	21.4	5.19	42.6	21.9	5.23	42.8	22.3	5.26	42.9				
	60	15.1	3.04	39.3	18.0	4.02	40.3	20.9	5.09	41.2	21.2	5.12	41.3	21.5	5.14	41.4	22.0	5.18	41.5	22.4	5.21	41.6				
	96	15.1	2.89	37.7	18.0	3.81	38.3	20.9	4.87	38.9	21.4	4.98	38.9	21.7	5.00	39.0	22.3	5.04	39.1	22.7	5.07	39.1				
45	50	15.1	2.83	37.1	18.0	3.74	37.6	20.9	4.77	38.1	21.5	4.92	38.2	21.8	4.95	38.2	22.4	4.98	38.3	22.8	5.01	38.3				
	60	15.1	3.75	45.4	18.0	4.56	46.2	18.2	5.63	45.7	16.3	5.63	45.8	16.5	5.65	45.8	16.7	5.66	45.9	16.8	5.68	45.9				
	96	15.1	3.67	44.5	16.5	4.10	44.9	17.0	4.14	45.1	17.2	4.16	45.1	17.4	4.17	45.2	17.7	4.18	45.2	17.9	4.18	45.3				
50	50	15.1	3.19	42.7	18.0	4.24	43.3	19.4	4.64	43.6	19.7	4.66	43.6	19.9	4.68	43.7	20.3	4.71	43.7	20.7	4.73	43.8				
	60	15.1	3.09	42.2	18.0	4.10	42.6	19.5	4.56	42.9	19.8	4.58	42.9	20.1	4.60	42.9	20.5	4.63	43.0	20.9	4.65	43.0				
	96	15.1	2.41	48.8	11.1	2.42	48.9	11.2	2.40	48.9	11.1	2.39	48.9	11.0	2.37	48.8	10.7	2.32	48.7	10.1	2.25	48.6				
90	50	10.9	2.64	48.5	12.2	2.66	48.5	12.3	2.66	48.6	12.3	2.65	48.6	12.3	2.64	48.6	12.1	2.60	48.5	11.7	2.55	48.4				
	60	14.5	3.44	47.7	15.0	3.48	47.8	15.5	3.51	47.8	15.6	3.51	47.9	15.7	3.52	47.9	15.9	3.52	47.9	15.9	3.50	47.9				
	96	14.5	3.59	47.2	16.5	3.99	47.4	17.0	4.03	47.5	17.2	4.05	47.5	17.4	4.06	47.6	17.6	4.07	47.6	17.8	4.07	47.6				
80	10	50	13.6	1.50	14.3	16.2	1.95	15.2	18.9	2.46	16.1	20.2	2.73	16.6	21.5	3.03	17.0	24.1	3.61	17.9	25.5	3.69	18.4			
		60	13.6	1.47	13.6	16.2	1.91	14.3	18.9	2.41	15.1	20.2	2.68	15.5	21.5	2.97	15.8	24.1	3.57	16.6	25.6	3.65	17.0			
		96	13.6	1.40	12.2	16.2	1.82	12.7	18.9	2.29	13.2	20.2	2.55	13.4	21.5	2.82	13.6	24.1	3.40	14.1	25.9	3.55	14.4			
	15	50	13.6	1.38	11.8	16.2	1.78	12.2	18.9	2.25	12.5	20.2	2.50	12.7	21.5	2.76	12.9	24.1	3.33	13.3	26.1	3.52	13.5			
		60	13.6	1.55	19.3	16.2	2.02	20.2	18.9	2.54	21.1	20.2	2.83	21.6	21.5	3.13	22.1	24.1	3.74	23.0	25.1	3.80	23.3			
		96	13.6	1.53	18.6	16.2	1.98	19.4	18.9	2.50	20.1	20.2	2.78	20.5	21.5	3.07	20.9	24.1	3.70	21.6	25.2	3.76	21.9			
	20	50	13.6	1.45	17.2	16.2	1.88	17.7	18.9	2.37	18.2	20.2	2.64	18.4	21.5	2.92	18.6	24.1	3.52	19.1	25.5	3.66	19.4			
		60	13.6	1.43	16.8	16.2	1.85	17.2	18.9	2.32	17.5	20.2	2.58	17.7	21.5	2.86	17.9	24.1	3.45	18.3	25.6	3.62	18.5			
		96	13.6	1.61	24.4	16.2	2.09	25.3	18.9	2.64	26.2	20.2	2.94	26.6	21.5	3.26	27.1	23.9	3.88	28.0	24.5	3.91	28.1			
	25	50	13.6	1.58	23.6	16.2	2.06	24.4	18.9	2.59	25.1	20.2	2.89	25.5	21.5	3.19	25.9	24.0	3.84	26.7	24.6	3.87	26.8			
		60	13.6	1.51	22.3	16.2	1.95	22.7	18.9	2.46	23.2	20.2	2.74	23.4	21.5	3.03	23.7	24.1	3.66	24.1	24.9	3.76	24.3			
		96	13.6	1.48	21.8	16.2	1.92	22.2	18.9	2.42	22.5	20.2	2.69	22.7	21.5	2.97	22.9	24.1	3.59	23.3	25.0	3.72	23.4			
30	50	13.6	1.89	29.4	16.2	2.46	30.4	18.9	3.11	31.3	20.2	3.47	31.8	21.5	3.84	32.3	23.2	4.31	32.9	23.7	4.34	33.1				
	60	13.6	1.86	28.7	16.2	2.42	29.5	18.9	3.05	30.2	20.2	3.40	30.6	21.5	3.77	31.0	23.3	4.27	31.6	23.9	4.30	31.7				
	96	13.6	1.77	27.3	16.2	2.30	27.8	18.9	2.90	28.2	20.2	3.23	28.5	21.5	3.58	28.7	23.6	4.15	29.1	24.2	4.18	29.2				
35	50	13.6	1.73	26.8	16.2	2.25	27.2	18.9	2.84	27.6	20.2	3.17	27.8	21.5	3.51	28.0	23.7	4.11	28.3	24.3	4.14	28.4				
	60	13.6	2.22	34.5	16.2	2.91	35.5	18.9	3.68	36.5	20.2	4.11	37.0	21.5	4.56	37.5	22.4	4.75	37.8	22.9	4.78	37.9				
	96	13.6	2.18	33.8	16.2	2.85	34.6	18.9	3.61	35.4	20.2	4.03	35.8	21.5	4.47	36.2	22.5	4.70	36.5	23.0	4.74	36.6				
40	50	13.6	2.08	32.3	16.2	2.71	32.8	18.9	3.43	33.3	20.2	3.83	33.6	21.5	4.24	33.8	22.8	4.57	34.1	23.3	4.61	34.2				
	60	13.6	2.04	31.9	16.2	2.66	32.3	18.9	3.37	32.7	20.2	3.75	32.9	21.5	4.16	33.1	22.9	4.53	33.3	23.4	4.56	33.3				
	96	13.6	2.64	39.7	16.2	3.46	40.6	18.9	4.40	41.7	20.2	4.91	42.2	20.9	5.15	42.5	21.4	5.19	42.6	21.9	5.23	42.8				
45	50	13.6	2.59	38.9	16.2	3.39	39.7	18.9	4.32	40.5	20.2	4.82	41.0	21.0	5.10	41.2	21.5	5.14	41.4	22.0	5.18	41.5				
	60	13.6	2.46	37.4	16.2	3.22	37.9	18.9	4.10	38.4	20.2	4.57	38.7	21.2	4.96	38.9	21.8	5.00	39.0	22.3	5.04	39.1				
	96	13.6	2.41	36.9	16.2	3.16	37.3	18.9	4.02	37.7	20.2	4.48	37.9	21.3	4.91	38.1	21.9	4.95	38.2	22.4	4.98	38.3				
70	10	50	13.6	3.16	44.8	15.3	3.77	45.5	15.8	3.81	45.6	16.0	3.83	45.7	16.2	3.84	45.8	16.5	3.85	45.8	16.7	3.86	45.9			
		60	13.6	3.09	44.0	16.1	4.07	44.8	16.7	4.11	45.0	16.9	4.13	45.0	17.1	4.15	45.1	17.4	4.17	45.2	17.7	4.18	45.2			
		96	13.6	2.71	42.4	16.2	3.57	43.0	18.9	4.57	43.5	19.2	4													

4 Capacity tables

4 - 2 Cooling capacity tables

RWEYQ8PY1

TC: Total Capacity: kW ; PI: Power Input: kW (compressor + outdoor fan motor) ; OWT: Outlet Water Temperatur: °C

Combination (%)	Inlet Water Temp. (°C)	Water Volume L/min	Indoor air temperature: °CDB																																																																																								
			14.0			16.0			18.0			19.0			21.0			22.0			24.0																																																																						
			TC	PI	OWT	TC	PI	OWT	TC	PI	OWT	TC	PI	OWT	TC	PI	OWT	TC	PI	OWT	TC	PI	OWT																																																																				
70	10	50	10.6	1.06	13.3	12.6	1.35	14.0	14.7	1.67	14.7	15.7	1.85	15.0	16.7	2.04	15.4	18.7	2.43	16.1	20.8	2.87	16.8	60	10.6	1.04	12.8	12.6	1.33	13.3	14.7	1.64	13.9	15.7	1.82	14.2	16.7	2.00	14.5	18.7	2.39	15.0	20.8	2.81	15.6	96	10.6	1.00	11.7	12.6	1.26	12.1	14.7	1.56	12.4	15.7	1.73	12.6	16.7	1.90	12.8	18.7	2.27	13.1	20.8	2.67	13.5	120	10.6	0.98	11.4	12.6	1.24	11.7	14.7	1.53	11.9	15.7	1.69	12.1	16.7	1.86	12.2	18.7	2.22	12.5	20.8	2.62	12.8		
		15	50	10.6	1.10	18.3	12.6	1.40	19.0	14.7	1.73	19.7	15.7	1.91	20.0	16.7	2.11	20.4	18.7	2.52	21.1	20.8	2.97	21.8	60	10.6	1.08	17.8	12.6	1.37	18.3	14.7	1.70	18.9	15.7	1.88	19.2	16.7	2.07	19.5	18.7	2.47	20.1	20.8	2.91	20.7	96	10.6	1.03	16.7	12.6	1.31	17.1	14.7	1.62	17.4	15.7	1.79	17.6	16.7	1.97	17.8	18.7	2.35	18.1	20.8	2.77	18.5	120	10.6	1.01	16.4	12.6	1.28	16.7	14.7	1.59	16.9	15.7	1.75	17.1	16.7	1.93	17.2	18.7	2.30	17.5	20.8	2.71	17.8	
			20	50	10.6	1.14	23.4	12.6	1.45	24.0	14.7	1.80	24.7	15.7	1.99	25.1	16.7	2.19	25.4	18.7	2.62	26.1	20.8	3.09	26.8	60	10.6	1.12	22.8	12.6	1.42	23.4	14.7	1.77	23.9	15.7	1.95	24.2	16.7	2.15	24.5	18.7	2.57	25.1	20.8	3.03	25.7	96	10.6	1.07	21.7	12.6	1.36	22.1	14.7	1.68	22.4	15.7	1.86	22.6	16.7	2.04	22.8	18.7	2.44	23.2	20.8	2.88	23.5	120	10.6	1.05	21.4	12.6	1.33	21.7	14.7	1.65	21.9	15.7	1.82	22.1	16.7	2.00	22.2	18.7	2.39	22.5	20.8	2.82	22.8
				25	50	10.6	1.33	28.4	12.6	1.70	29.1	14.7	2.11	29.8	15.7	2.34	30.2	16.7	2.57	30.5	18.7	3.08	31.3	20.8	3.64	32.0	60	10.6	1.31	27.8	12.6	1.67	28.4	14.7	2.07	29.0	15.7	2.29	29.3	16.7	2.53	29.6	18.7	3.03	30.2	20.8	3.57	30.8	96	10.6	1.25	26.8	12.6	1.59	27.1	14.7	1.97	27.5	15.7	2.18	27.7	16.7	2.40	27.9	18.7	2.87	28.2	20.8	3.39	28.6	120	10.6	1.22	26.4	12.6	1.56	26.7	14.7	1.93	27.0	15.7	2.14	27.1	16.7	2.35	27.3	18.7	2.82	27.6	20.8	3.33
	30				50	10.6	1.55	33.5	12.6	1.99	34.2	14.7	2.49	34.9	15.7	2.76	35.3	16.7	3.04	35.7	18.7	3.65	36.4	20.8	4.32	37.2	60	10.6	1.53	32.9	12.6	1.96	33.5	14.7	2.44	34.1	15.7	2.70	34.4	16.7	2.98	34.7	18.7	3.58	35.3	20.8	4.24	36.0	96	10.6	1.46	31.8	12.6	1.86	32.2	14.7	2.32	32.5	15.7	2.57	32.7	16.7	2.83	32.9	18.7	3.40	33.3	20.8	4.02	33.7	120	10.6	1.43	31.4	12.6	1.83	31.7	14.7	2.28	32.0	15.7	2.52	32.2	16.7	2.78	32.3	18.7	3.33	32.6	20.8	3.94
		35			50	10.6	1.83	38.6	12.6	2.36	39.3	14.7	2.95	40.1	15.7	3.28	40.4	16.7	3.62	40.8	18.7	4.36	41.6	20.7	5.14	42.4	60	10.6	1.80	38.0	12.6	2.31	38.6	14.7	2.90	39.2	15.7	3.22	39.5	16.7	3.55	39.8	18.7	4.27	40.5	20.8	5.07	41.1	96	10.6	1.71	36.8	12.6	2.20	37.2	14.7	2.75	37.6	15.7	3.06	37.8	16.7	3.37	38.0	18.7	4.06	38.4	20.8	4.81	38.8	120	10.6	1.68	36.5	12.6	2.16	36.8	14.7	2.70	37.1	15.7	3.00	37.2	16.7	3.31	37.4	18.7	3.98	37.7	20.8	4.71
			40		50	10.6	2.12	43.6	12.6	2.80	44.4	14.7	3.57	45.2	15.7	3.76	45.4	16.7	4.15	45.8	18.7	5.00	46.6	20.8	6.00	47.4	60	10.6	2.09	43.0	12.6	2.74	43.7	14.7	3.49	44.3	15.7	3.90	44.7	16.7	4.08	44.9	18.7	4.91	45.0	20.8	5.94	45.0	96	10.6	1.86	41.9	12.6	2.41	42.2	14.7	3.04	42.6	15.7	3.38	42.8	16.7	3.74	43.1	18.7	4.52	43.5	19.3	4.64	43.6	120	10.6	1.80	41.5	12.6	2.34	41.8	14.7	2.94	42.1	15.7	3.27	42.3	16.7	3.62	42.4	18.7	4.37	42.8	19.5	4.56
				45	50	10.2	2.36	48.6	10.6	2.39	48.7	10.9	2.41	48.8	11.0	2.41	48.8	11.1	2.42	48.9	11.2	2.42	48.9	11.2	2.41	48.9	60	10.6	2.40	48.1	11.4	2.61	48.3	11.8	2.64	48.4	11.9	2.65	48.5	12.0	2.65	48.5	12.2	2.66	48.6	12.3	2.66	48.6	96	10.6	2.11	46.9	12.6	2.79	47.3	14.4	3.43	47.7	14.6	3.45	47.7	14.8	3.46	47.7	15.2	3.49	47.8	15.4	3.50	47.8	120	10.6	2.05	46.5	12.6	2.69	46.8	14.7	3.42	47.2	15.7	3.81	47.3	16.2	3.97	47.4	16.6	4.00	47.5	16.9	4.03
	10				50	9.07	0.87	12.9	10.8	1.09	13.4	12.6	1.34	14.0	13.4	1.48	14.3	14.3	1.62	14.6	16.1	1.92	15.2	17.8	2.25	15.8	60	9.07	0.86	12.4	10.8	1.07	12.8	12.6	1.32	13.3	13.4	1.45	13.6	14.3	1.59	13.8	16.1	1.88	14.3	17.8	2.21	14.8	96	9.07	0.82	11.5	10.8	1.02	11.8	12.6	1.25	12.1	13.4	1.38	12.2	14.3	1.51	12.4	16.1	1.79	12.7	17.8	2.10	13.0	120	9.07	0.81	11.2	10.8	1.01	11.4	12.6	1.23	11.6	13.4	1.35	11.8	14.3	1.48	11.9	16.1	1.76	12.1	17.8	2.06
		15			50	9.07	0.90	17.9	10.8	1.13	18.4	12.6	1.39	19.0	13.4	1.53	19.3	14.3	1.67	19.6	16.1	1.99	20.2	17.8	2.33	20.8	60	9.07	0.89	17.4	10.8	1.11	17.9	12.6	1.36	18.3	13.4	1.50	18.6	14.3	1.64	18.8	16.1	1.95	19.3	17.8	2.28	19.8	96	9.07	0.85	16.5	10.8	1.06	16.8	12.6	1.30	17.1	13.4	1.43	17.2	14.3	1.56	17.4	16.1	1.85	17.7	17.8	2.17	18.0	120	9.07	0.83	16.2	10.8	1.04	16.4	12.6	1.27	16.7	13.4	1.40	16.8	14.3	1.53	16.9	16.1	1.82	17.1	17.8	2.13
			20		50	9.07	0.94	22.9	10.8	1.17	23.4	12.6	1.44	24.0	13.4	1.58	24.3	14.3	1.74	24.6	16.1	2.06	25.2	17.8	2.42	25.8	60	9.07	0.92	22.4	10.8	1.15	22.9	12.6	1.41	23.3	13.4	1.56	23.6	14.3	1.70	23.8	16.1	2.02	24.3	17.8	2.37	24.8	96	9.07	0.88	21.5	10.8	1.10	21.8	12.6	1.35	22.1	13.4	1.48	22.2	14.3	1.62	22.4	16.1	1.92	22.7	17.8	2.25	23.0	120	9.07	0.86	21.2	10.8	1.08	21.4	12.6	1.32	21.7	13.4	1.45	21.8	14.3	1.59	21.9	16.1	1.89	22.1	17.8	2.21
				25	50	9.07	1.09	27.9	10.8	1.37	28.5	12.6	1.69	29.1	13.4	1.86	29.4	14.3	2.04	29.7	16.1	2.42	30.3	17.8	2.85	30.9	60	9.07	1.07	27.4	10.8	1.35	27.9	12.6	1.66	28.4	13.4	1.82	28.6	14.3	2.00	28.9	16.1	2.38	29.4	17.8	2.79	29.9	96	9.07	1.02	26.5	10.8	1.28	26.8	12.6	1.58	27.1	13.4	1.74	27.3	14.3	1.90	27.4	16.1	2.26	27.7	17.8	2.65	28.1	120	9.07	1.00	26.2	10.8	1.26	26.4	12.6	1.55	26.7	13.4	1.70	26.8	14.3	1.87	26.9	16.1	2.22	27.2	17.8	2.60
	30				50	9.07	1.27	33.0	10.8	1.60	33.6	12.6	1.98	34.2	13.4	2.18	34.5	14.3	2.40	34.8	16.1	2.86	35.4	17.8	3.36	36.1	60	9.07	1.25	32.5	10.8	1.57	33.0	12.6	1.94	33.5	13.4	2.14	33.7	14.3	2.35	34.0	16.1	2.81	34.5	17.8	3.30	35.0	96	9.07	1.19	31.5	10.8	1.50	31.8	12.6	1.85	32.2	13.4	2.04	32.3	14.3	2.24	32.5	16.1	2.67	32.8	17.8	3.14	33.1	120	9.07	1.17	31.2	10.8	1.47	31.5	12.6	1.82	31.7	13.4	2.00	31.8	14.3	2.20	32.0	16.1	2.62	32.2	17.8	3.07
		35			50	9.07	1.49	38.0	10.8	1.89	38.6	12.6	2.34	39.3	13.4	2.59	39.6	14.3	2.85	39.9	16.1	3.40	40.6	17.8	4.01	41.3	60	9.07	1.46	37.5	10.8	1.85	38.0	12.6	2.30	38.6	13.4	2.54	38.8	14.3	2.79	39.1	16.1	3.34	39.6	17.8	3.94	40.2	96	9.07	1.39	36.6	10.8	1.77	36.9	12.6	2.19	37.2	13.4	2.42	37.4	14.3	2.66	37.5	16.1	3.17	37.9	17.8	3.74	38.2	120	9.07	1.37	36.2	10.8	1.73	36.5	12.6	2.15	36.8	13.4	2.37	36.9	14.3	2.61	37.0	16.1	3.11	37.3	17.8	3.66
			40		50	9.07	1.69	43.1	10.8	2.20	43.7	12.6	2.78	44.4	13.4	3.10	44.7	14.3	3.44	45.1	15.3	3.77	45.5	15.7	3.80	45.6	60	9.07	1.67	42.6	10.8	2.16	43.1	12.6	2.72	43.7	13.4	3.03	43.9	14.3	3.36	44.2	16.1	4.06	44.8	16.5	4.10	44.9	96	9.07	1.50	41.6	10.8	1.92	41.9	12.6	2.40	42.2	13.4	2.66	42.4																														

4 Capacity tables

4 - 2 Cooling capacity tables

RWEYQ10PY1

TC: Total Capacity: kW ; PI: Power Input: kW (compressor + outdoor fan motor) ; OWT: Outlet Water Temperatur: °C

Combination (%)	Inlet Water Temp. (°C)	Water Volume L/min	Indoor air temperature: °CDB																							
			14.0			16.0			18.0			19.0			20.0			22.0			24.0					
			TC	PI	OWT	TC	PI	OWT	TC	PI	OWT	TC	PI	OWT	TC	PI	OWT	TC	PI	OWT	TC	PI	OWT			
130	10	50	23.4	3.48	17.7	27.9	4.63	19.3	30.5	4.90	20.2	31.0	4.92	20.3	31.4	4.94	20.4	32.1	4.97	20.6	32.6	4.99	20.8			
		60	23.4	3.41	16.4	27.9	4.54	17.8	30.7	4.85	18.5	31.1	4.87	18.6	31.5	4.89	18.7	32.2	4.92	18.9	32.8	4.94	19.0			
		96	23.4	3.24	14.0	27.9	4.31	14.8	31.1	4.72	15.3	31.5	4.74	15.4	31.9	4.76	15.5	32.7	4.79	15.6	33.3	4.81	15.7			
		120	23.4	3.18	13.2	27.9	4.22	13.8	31.2	4.67	14.3	31.7	4.69	14.3	32.1	4.71	14.4	32.8	4.74	14.5	33.4	4.76	14.6			
	15	50	23.4	3.60	22.7	27.9	4.79	24.4	30.0	5.04	25.0	30.4	5.06	25.2	30.8	5.08	25.3	31.5	5.11	25.5	32.0	5.13	25.6			
		60	23.4	3.53	21.4	27.9	4.70	22.8	30.1	4.99	23.4	30.6	5.01	23.5	31.0	5.03	23.6	31.6	5.06	23.8	32.2	5.08	23.9			
		96	23.4	3.35	19.0	27.9	4.46	19.8	30.5	4.85	20.3	30.9	4.88	20.3	31.4	4.90	20.4	32.1	4.93	20.5	32.6	4.95	20.6			
		120	23.4	3.29	18.2	27.9	4.37	18.9	30.6	4.80	19.2	31.1	4.82	19.3	31.5	4.84	19.3	32.2	4.88	19.4	32.8	4.90	19.5			
	20	50	23.4	3.74	27.8	27.9	4.98	29.4	29.3	5.18	29.9	29.7	5.21	30.0	30.1	5.23	30.1	30.7	5.26	30.3	31.2	5.28	30.5			
		60	23.4	3.67	26.5	27.9	4.89	27.8	29.4	5.13	28.3	29.8	5.16	28.4	30.2	5.18	28.5	30.9	5.21	28.6	31.3	5.23	28.7			
		96	23.4	3.49	24.0	27.9	4.64	24.9	29.8	4.99	25.2	30.2	5.02	25.3	30.6	5.04	25.3	31.3	5.07	25.4	31.8	5.09	25.5			
		120	23.4	3.42	23.2	27.9	4.55	23.9	29.9	4.94	24.2	30.4	4.96	24.2	30.8	4.98	24.3	31.4	5.01	24.4	31.9	5.03	24.4			
25	50	23.4	4.41	33.0	27.5	5.70	34.5	28.4	5.76	34.8	28.8	5.79	34.9	29.2	5.81	35.0	29.7	5.84	35.2	30.1	5.86	35.3				
	60	23.4	4.33	31.6	27.6	5.65	33.0	28.6	5.71	33.2	28.9	5.73	33.3	29.3	5.75	33.4	29.9	5.78	33.5	30.3	5.80	33.6				
	96	23.4	4.11	29.1	27.9	5.48	30.0	28.9	5.55	30.1	29.3	5.58	30.2	29.7	5.60	30.3	30.3	5.63	30.4	30.7	5.65	30.4				
	120	23.4	4.03	28.3	27.9	5.37	29.0	29.0	5.49	29.1	29.5	5.52	29.2	29.8	5.54	29.2	30.4	5.57	29.3	30.9	5.59	29.4				
30	50	23.4	5.23	38.2	26.5	6.28	39.4	27.4	6.35	39.7	27.7	6.37	39.8	28.1	6.39	39.9	28.6	6.42	40.0	28.9	6.43	40.1				
	60	23.4	5.13	36.8	26.6	6.22	37.9	27.5	6.29	38.1	27.9	6.31	38.2	28.2	6.33	38.3	28.7	6.36	38.4	29.1	6.37	38.5				
	96	23.4	4.87	34.2	27.0	6.05	34.9	27.9	6.11	35.1	28.2	6.14	35.1	28.6	6.16	35.2	29.1	6.19	35.2	29.5	6.20	35.3				
	120	23.4	4.77	33.4	27.1	5.99	34.0	28.0	6.05	34.1	28.4	6.08	34.1	28.7	6.10	34.2	29.3	6.13	34.2	29.6	6.14	34.3				
35	50	23.4	6.24	43.5	25.4	6.87	44.2	26.2	6.94	44.5	26.6	6.96	44.6	26.8	6.98	44.7	27.2	7.00	44.8	27.4	7.00	44.9				
	60	23.4	6.12	42.1	25.5	6.80	42.7	26.3	6.87	42.9	26.6	6.89	43.0	26.9	6.91	43.1	27.3	6.93	43.2	27.6	6.93	43.2				
	96	23.4	5.81	39.4	25.8	6.62	39.8	26.6	6.68	40.0	27.0	6.71	40.0	27.3	6.73	40.1	27.7	6.75	40.1	28.0	6.75	40.2				
	120	23.4	5.70	38.5	25.9	6.55	38.9	26.7	6.61	39.0	27.1	6.64	39.0	27.4	6.66	39.1	27.9	6.68	39.1	28.1	6.68	39.2				
40	50	19.0	5.06	46.9	19.6	5.10	47.1	19.9	5.11	47.2	20.0	5.11	47.2	20.0	5.09	47.2	20.4	5.09	47.2	19.4	4.95	47.2				
	60	20.0	5.47	46.1	20.7	5.52	46.3	21.1	5.54	46.4	21.3	5.54	46.4	21.3	5.54	46.4	21.3	5.50	46.4	21.0	5.43	46.3				
	96	22.8	6.12	44.3	23.6	6.20	44.5	24.3	6.25	44.6	24.6	6.26	44.6	24.8	6.27	44.6	25.1	6.28	44.7	25.1	6.25	44.7				
	120	23.0	6.02	43.5	23.9	6.09	43.6	24.5	6.15	43.7	24.8	6.16	43.7	25.0	6.17	43.7	25.3	6.18	43.8	25.4	6.16	43.8				
45	50	13.3	3.20	49.7	13.2	3.15	49.7	12.6	3.06	49.5	12.2	3.00	49.4	11.7	2.92	49.2	10.4	2.75	48.8	8.72	2.52	48.2				
	60	14.6	3.53	49.3	14.7	3.51	49.3	14.4	3.44	49.3	14.1	3.40	49.2	13.7	3.34	49.1	12.7	3.20	48.8	11.4	3.01	48.4				
	96	18.2	4.63	48.4	18.7	4.66	48.5	19.0	4.66	48.5	19.0	4.65	48.5	18.9	4.63	48.5	18.6	4.56	48.5	18.0	4.46	48.4				
	120	20.0	5.32	48.0	20.6	5.37	48.1	21.1	5.40	48.2	21.2	5.40	48.2	21.3	5.39	48.2	21.2	5.35	48.2	20.9	5.29	48.1				
120	10	50	21.6	3.07	17.1	25.8	4.06	18.6	30.0	4.87	20.0	30.4	4.89	20.1	30.9	4.91	20.3	31.6	4.95	20.5	32.2	4.97	20.7			
		60	21.6	3.01	15.9	25.8	3.98	17.1	30.0	4.81	18.3	30.6	4.84	18.5	31.0	4.86	18.6	31.8	4.90	18.8	32.4	4.92	18.9			
		96	21.6	2.86	13.7	25.8	3.78	14.4	30.0	4.65	15.2	31.0	4.71	15.3	31.4	4.73	15.4	32.2	4.77	15.5	32.8	4.79	15.6			
		120	21.6	2.80	12.9	25.8	3.71	13.5	30.0	4.59	14.1	31.1	4.66	14.3	31.5	4.68	14.3	32.3	4.72	14.4	33.0	4.74	14.5			
	15	50	21.6	3.17	22.1	25.8	4.20	23.6	29.5	5.01	24.9	29.9	5.04	25.0	30.3	5.06	25.1	31.0	5.09	25.4	31.6	5.12	25.5			
		60	21.6	3.11	20.9	25.8	4.12	22.1	29.6	4.96	23.3	30.0	4.99	23.4	30.5	5.01	23.5	31.2	5.04	23.7	31.8	5.07	23.8			
		96	21.6	2.96	18.7	25.8	3.91	19.4	30.0	4.83	20.2	30.4	4.85	20.3	30.8	4.87	20.3	31.6	4.91	20.4	32.2	4.93	20.5			
		120	21.6	2.90	17.9	25.8	3.84	18.5	30.0	4.76	19.1	30.6	4.80	19.2	31.0	4.82	19.3	31.7	4.85	19.4	32.3	4.88	19.4			
	20	50	21.6	3.30	27.1	25.8	4.37	28.6	28.8	5.15	29.7	29.2	5.18	29.9	29.6	5.20	30.0	30.3	5.24	30.2	30.8	5.26	30.8			
		60	21.6	3.24	25.9	25.8	4.29	27.2	28.9	5.10	28.1	29.3	5.13	28.2	29.7	5.15	28.3	30.4	5.19	28.5	31.0	5.21	28.6			
		96	21.6	3.07	23.7	25.8	4.07	24.5	29.3	4.96	25.1	29.7	4.99	25.2	30.1	5.01	25.2	30.8	5.05	25.4	31.4	5.07	25.4			
		120	21.6	3.02	22.9	25.8	3.99	23.6	29.4	4.91	24.1	29.8	4.94	24.2	30.2	4.96	24.2	31.0	4.99	24.4	32.3	5.02	24.4			
25	50	21.6	3.88	32.3	25.8	5.16	33.9	27.9	5.73	34.7	28.3	5.76	34.8	28.7	5.78	34.9	29.3	5.82	35.1	29.8	5.85	35.2				
	60	21.6	3.81	31.1	25.8	5.06	32.4	28.1	5.68	33.1	28.5	5.70	33.2	28.8	5.73	33.3	29.5	5.76	33.4	30.0	5.79	33.5				
	96	21.6	3.62	28.8	25.8	4.80	29.6	28.4	5.52	30.1	28.8	5.55	30.1	29.2	5.57	30.2	29.9	5.61	30.3	30.4	5.63	30.4				
	120	21.6	3.55	28.0	25.8	4.71	28.6	28.5	5.46	29.1	29.0	5.49	29.1	29.4	5.51	29.2	30.0	5.55	29.2	30.6	5.58	29.3				
30	50	21.6	4.59	37.5	25.8	6.12	39.1	28.9	6.31	39.5	27.3	6.34	39.6	27.7	6.37	39.8	28.2	6.40	39.9	28.7	6.43	40.1				
	60	21.6	4.51	36.2	25.8	6.00	37.6	27.1	6.25	38.0	27.4	6.28	38.1	27.8	6.30	38.1	28.4	6.34	38.3	28.8	6.36	38.4				
	96	21.6	4.28	33.9	25.8	5.69	34.7	27.4	6.08	35.0	27.8	6.11	35.1	28.1	6.13	35.1	28.7	6.17	35.2	29.2	6.19	35.3				
	120	21.6	4.20	33.1	25.8	5.58	33.7	27.5	6.02	34.0	27.9	6.04	34.1	28.3	6.07	34.1	28.9	6.11	34.2	29.4	6.13	34.2				
35	50	21.6	5.48	42.8	24.9	6.83	44.1	25.7	6.90	44.4	26.1	6.93	44.5	26.4	6.96	44.6	26.9	6.99	44.7	27.2	7.00	44.8				
	60	21.6	5.37	41.5	25.0	6.76	42.6	25.9	6.85	42.8	26.2	6.86	42.9	26.5	6.89	43.0	27.0	6.92	43.1	27.4	6.94	43.2				
	96	21.6	5.10	39.0	25.4	6.58	39.8	26.2	6.65	39.9	26.6	6.68	40.0	26.9	6.70	40.0	27.4	6.74	40.1	27.8	6.75	40.2				
	120	21.6	5.00	38.2	25.5	6.51	38.8	26.3	6.58	38.9	26.7	6.61	39.0	27.0	6.63	39.0	27.5	6.67	39.1	27.9	6.68	39.1				
40	50	18.7	5.04	46.8	19.4	5.09	47.0	19.8	5.11	47.1	19.9	5.11	47.2	20.0	5.11	47.2</										

4 Capacity tables

4 - 2 Cooling capacity tables

RWEYQ10PY1										TC: Total Capacity: kW ; PI: Power Input: kW (compressor + outdoor fan motor) ; OWT: Outlet Water Temperatur: °C													
Combination (%)	Inlet Water Temp. (°C)	Water Volume L/min	Indoor air temperature: °CDB																				
			14.0			16.0			18.0			19.0			20.0			22.0			24.0		
			TC	PI	OWT	TC	PI	OWT	TC	PI	OWT	TC	PI	OWT	TC	PI	OWT	TC	PI	OWT	TC	PI	OWT
100	10	50	18.0	2.32	15.8	21.5	3.04	17.0	25.0	3.85	18.3	26.7	4.30	18.9	28.4	4.77	19.5	30.4	4.89	20.1	31.1	4.92	20.3
		60	18.0	2.28	14.9	21.5	2.98	15.8	25.0	3.78	16.9	26.7	4.21	17.4	28.4	4.68	17.9	30.6	4.84	18.5	31.2	4.88	18.6
		96	18.0	2.17	13.0	21.5	2.83	13.6	25.0	3.59	14.3	26.7	4.00	14.6	28.4	4.44	14.9	30.9	4.71	15.3	31.6	4.74	15.4
		120	18.0	2.13	12.4	21.5	2.78	12.9	25.0	3.52	13.4	26.7	3.92	13.7	28.4	4.35	13.9	31.1	4.66	14.3	31.8	4.69	14.4
	15	50	18.0	2.40	20.9	21.5	3.14	22.1	25.0	3.99	23.3	26.7	4.45	23.9	28.4	4.94	24.6	29.9	5.03	25.0	30.5	5.07	25.2
		60	18.0	2.36	19.9	21.5	3.08	20.9	25.0	3.91	21.9	26.7	4.36	22.4	28.4	4.84	23.0	30.0	4.98	23.4	30.7	5.02	23.5
		96	18.0	2.24	18.0	21.5	2.93	18.6	25.0	3.71	19.3	26.7	4.14	19.6	28.4	4.59	19.9	30.4	4.85	20.3	31.1	4.88	20.4
		120	18.0	2.20	17.4	21.5	2.87	17.9	25.0	3.64	18.4	26.7	4.06	18.7	28.4	4.50	18.9	30.5	4.80	19.2	31.2	4.83	19.3
	20	50	18.0	2.49	25.9	21.5	3.27	27.1	25.0	4.15	28.3	26.7	4.63	29.0	28.4	5.13	29.6	29.2	5.18	29.8	29.8	5.21	30.0
		60	18.0	2.45	24.9	21.5	3.20	25.9	25.0	4.07	26.9	26.7	4.54	27.5	28.4	5.03	28.0	29.3	5.13	28.2	30.0	5.16	28.4
		96	18.0	2.33	23.0	21.5	3.04	23.7	25.0	3.86	24.3	26.7	4.31	24.6	28.4	4.78	25.0	29.7	4.99	25.2	30.3	5.02	25.3
		120	18.0	2.29	22.4	21.5	2.99	22.9	25.0	3.78	23.4	26.7	4.22	23.7	28.4	4.68	24.0	29.8	4.93	24.2	30.5	4.97	24.2
25	50	18.0	2.93	31.0	21.5	3.85	32.3	25.0	4.89	33.6	26.7	5.46	34.2	27.6	5.71	34.6	28.3	5.76	34.8	28.9	5.80	35.0	
	60	18.0	2.88	30.0	21.5	3.77	31.0	25.0	4.80	32.1	26.7	5.36	32.7	27.7	5.65	33.0	28.4	5.70	33.2	29.1	5.74	33.3	
	96	18.0	2.73	28.1	21.5	3.58	28.7	25.0	4.55	29.4	26.7	5.08	29.7	28.1	5.50	30.0	28.8	5.55	30.1	29.4	5.58	30.2	
	120	18.0	2.68	27.5	21.5	3.51	28.0	25.0	4.46	28.5	26.7	4.98	28.8	28.2	5.44	29.0	28.9	5.49	29.1	29.6	5.52	29.2	
30	50	18.0	3.45	36.2	21.5	4.55	37.5	25.0	5.80	38.8	26.3	6.26	39.3	26.6	6.29	39.4	27.3	6.34	39.6	27.8	6.38	39.8	
	60	18.0	3.39	35.1	21.5	4.46	36.2	25.0	5.69	37.3	26.4	6.20	37.8	26.7	6.23	37.9	27.4	6.28	38.0	28.0	6.32	38.2	
	96	18.0	3.22	33.2	21.5	4.24	33.8	25.0	5.40	34.5	26.7	6.03	34.9	27.1	6.06	34.9	27.8	6.11	35.1	28.3	6.15	35.1	
	120	18.0	3.16	32.5	21.5	4.16	33.1	25.0	5.29	33.6	26.7	5.91	33.9	27.2	5.99	34.0	27.9	6.04	34.1	28.5	6.08	34.1	
35	50	18.0	4.10	41.3	21.5	5.42	42.7	24.7	6.81	44.0	25.1	6.85	44.2	25.5	6.88	44.3	26.1	6.93	44.5	26.6	6.97	44.6	
	60	18.0	4.03	40.3	21.5	5.32	41.4	24.9	6.75	42.6	25.2	6.78	42.6	25.6	6.81	42.7	26.2	6.86	42.9	26.7	6.90	43.0	
	96	18.0	3.83	38.3	21.5	5.05	39.0	25.0	6.45	39.7	25.5	6.59	39.8	25.9	6.62	39.9	26.5	6.68	40.0	27.1	6.71	40.0	
	120	18.0	3.75	37.6	21.5	4.95	38.2	25.0	6.33	38.7	25.7	6.52	38.8	26.0	6.55	38.9	26.7	6.60	39.0	27.2	6.64	39.2	
40	50	18.0	4.97	46.6	18.7	5.04	46.8	19.3	5.08	47.0	19.5	5.10	47.0	19.7	5.11	47.1	19.9	5.11	47.2	20.0	5.10	47.0	
	60	18.0	4.86	45.5	19.7	5.44	46.0	20.3	5.49	46.2	20.5	5.51	46.2	20.8	5.52	46.3	21.1	5.54	46.4	21.3	5.54	46.4	
	96	18.0	4.23	43.3	21.5	5.62	44.0	23.1	6.15	44.4	23.4	6.18	44.4	23.7	6.20	44.5	24.3	6.24	44.6	24.6	6.27	44.6	
	120	18.0	4.09	42.6	21.5	5.44	43.2	23.3	6.05	43.5	23.6	6.08	43.5	23.9	6.10	43.6	24.5	6.14	43.7	24.9	6.17	43.7	
45	50	13.0	3.19	49.6	13.3	3.20	49.7	13.3	3.19	49.7	13.3	3.17	49.7	13.1	3.14	49.7	12.7	3.07	49.5	12.1	2.98	49.3	
	60	14.1	3.50	49.2	14.5	3.52	49.3	14.7	3.52	49.4	14.7	3.52	49.4	14.7	3.50	49.3	14.4	3.45	49.3	14.0	3.38	49.2	
	96	17.3	4.55	48.3	17.9	4.61	48.4	18.4	4.65	48.4	18.6	4.66	48.5	18.8	4.66	48.5	18.9	4.66	48.5	19.0	4.64	48.5	
	120	18.0	4.76	47.7	19.6	5.29	48.0	20.2	5.34	48.1	20.5	5.36	48.1	20.7	5.38	48.1	21.0	5.40	48.2	21.2	5.39	48.2	
90	10	50	16.2	1.99	15.2	19.3	2.58	16.3	22.5	3.26	17.4	24.0	3.62	17.9	25.6	4.01	18.5	28.7	4.79	19.6	30.4	4.89	20.1
		60	16.2	1.95	14.3	19.3	2.53	15.2	22.5	3.19	16.1	24.0	3.55	16.6	25.6	3.93	17.1	28.7	4.73	18.0	30.5	4.84	18.5
		96	16.2	1.86	12.7	19.3	2.41	13.2	22.5	3.03	13.8	24.0	3.37	14.1	25.6	3.73	14.4	28.7	4.51	15.0	30.9	4.71	15.3
		120	16.2	1.83	12.2	19.3	2.36	12.6	22.5	2.98	13.0	24.0	3.31	13.3	25.6	3.66	13.5	28.7	4.42	14.0	31.1	4.66	14.3
	15	50	16.2	2.06	20.2	19.3	2.67	21.3	22.5	3.37	22.4	24.0	3.75	23.0	25.6	4.15	23.5	28.7	4.96	24.7	29.9	5.03	25.0
		60	16.2	2.02	19.4	19.3	2.62	20.2	22.5	3.31	21.2	24.0	3.68	21.6	25.6	4.07	22.1	28.7	4.90	23.0	30.0	4.98	23.4
		96	16.2	1.92	17.7	19.3	2.49	18.3	22.5	3.14	18.8	24.0	3.49	19.1	25.6	3.87	19.4	28.7	4.67	20.0	30.4	4.85	20.3
		120	16.2	1.89	17.2	19.3	2.45	17.6	22.5	3.08	18.1	24.0	3.43	18.3	25.6	3.79	18.5	28.7	4.58	19.0	30.5	4.80	19.2
	20	50	16.2	2.14	25.3	19.3	2.78	26.3	22.5	3.50	27.4	24.0	3.90	28.0	25.6	4.32	28.6	28.5	5.14	29.6	29.2	5.18	29.2
		60	16.2	2.10	24.4	19.3	2.72	25.3	22.5	3.44	26.2	24.0	3.82	26.7	25.6	4.23	27.1	28.6	5.09	28.1	29.3	5.13	28.2
		96	16.2	2.00	22.7	19.3	2.59	23.3	22.5	3.26	23.8	24.0	3.63	24.1	25.6	4.02	24.4	28.7	4.85	25.0	29.7	4.99	25.2
		120	16.2	1.96	22.2	19.3	2.54	22.6	22.5	3.20	23.1	24.0	3.56	23.3	25.6	3.94	23.5	28.7	4.76	24.0	29.8	4.93	24.1
25	50	16.2	2.51	30.4	19.3	3.26	31.5	22.5	4.13	32.6	24.0	4.60	33.2	25.6	5.09	33.8	27.7	5.71	34.6	28.3	5.76	34.8	
	60	16.2	2.46	29.5	19.3	3.20	30.4	22.5	4.05	31.3	24.0	4.51	31.8	25.6	5.00	32.3	27.8	5.66	33.0	28.4	5.70	33.2	
	96	16.2	2.34	27.8	19.3	3.04	28.3	22.5	3.84	28.9	24.0	4.28	29.2	25.6	4.74	29.5	28.1	5.50	30.0	28.8	5.54	30.1	
	120	16.2	2.30	27.2	19.3	2.99	27.7	22.5	3.77	28.1	24.0	4.20	28.4	25.6	4.65	28.6	28.3	5.44	29.0	28.9	5.49	29.1	
30	50	16.2	2.95	35.5	19.3	3.85	36.7	22.5	4.88	37.8	24.0	5.45	38.5	25.6	6.04	39.1	26.7	6.30	39.5	27.3	6.34	39.6	
	60	16.2	2.89	34.6	19.3	3.78	35.5	22.5	4.79	36.5	24.0	5.34	37.0	25.6	5.93	37.5	26.8	6.23	37.9	27.4	6.28	38.0	
	96	16.2	2.75	32.8	19.3	3.59	33.4	22.5	4.55	34.0	24.0	5.07	34.3	25.6	5.62	34.7	27.1	6.06	35.0	27.7	6.11	35.1	
	120	16.2	2.70	32.3	19.3	3.52	32.7	22.5	4.46	33.2	24.0	4.97	33.5	25.6	5.51	33.7	27.3	6.00	34.0	27.9	6.04	34.1	
35	50	16.2	3.49	40.7	19.3	4.58	41.9	22.5	5.83	43.1	24.0	6.51	43.8	24.9	6.83	44.1	25.5	6.88	44.3	26.1	6.93	44.5	
	60	16.2	3.43	39.7	19.3	4.50	40.7	22.5	5.72	41.7	24.0	6.39	42.3	25.0	6.76	42.6	25.6	6.81	42.8	26.2	6.86	42.9	
	96	16.2	3.26	37.9	19.3	4.27	38.5	22.5	5.43	39.2	24.0	6.06	39.5	25.3	6.57	39.8	26.0	6.63	39.9	26.5	6.67	40.0	
	120	16.2	3.20	37.3	19.3	4.19	37.8	22.5	5.32	38.3	24.0	5.94	38.6	25.4	6.50	38.8	26.1	6.56	38.9	26.6	6.60	39.0	
40	50	16.2	4.19	45.9	18.3	5.00	46.7	18.9	5.05	46.9	19.1	5.07	46.9	19.3	5.09	47.0	19.7	5.11	47.1	19.9	5.11	4	

4 Capacity tables

4 - 2 Cooling capacity tables

RWEYQ10PY1

TC: Total Capacity: kW ; PI: Power Input: kW (compressor + outdoor fan motor) ; OWT: Outlet Water Temperatur: °C

Combination (%)	Inlet Water Temp. (°C)	Water Volume L/min	Indoor air temperature: °CDB																							
			14.0			16.0			18.0			19.0			21.0			22.0			24.0					
			TC	PI	OWT	TC	PI	OWT	TC	PI	OWT	TC	PI	OWT	TC	PI	OWT	TC	PI	OWT	TC	PI	OWT			
70	10	50	12.6	1.41	14.0	15.0	1.79	14.8	17.5	2.22	15.6	18.7	2.45	16.1	19.9	2.70	16.5	22.3	3.23	17.3	24.8	3.80	18.2			
		60	12.6	1.38	13.3	15.0	1.76	14.0	17.5	2.18	14.7	18.7	2.41	15.0	19.9	2.65	15.4	22.3	3.16	16.1	24.8	3.73	16.8			
		96	12.6	1.32	12.1	15.0	1.67	12.5	17.5	2.07	12.9	18.7	2.29	13.1	19.9	2.52	13.3	22.3	3.01	13.8	24.8	3.54	14.2			
	15	50	12.6	1.46	19.0	15.0	1.85	19.8	17.5	2.30	20.7	18.7	2.54	21.1	19.9	2.79	21.5	22.3	3.34	22.4	24.8	3.94	23.2			
		60	12.6	1.43	18.4	15.0	1.82	19.0	17.5	2.25	19.7	18.7	2.49	20.1	19.9	2.74	20.4	22.3	3.28	21.1	24.8	3.86	21.8			
		96	12.6	1.36	17.1	15.0	1.73	17.5	17.5	2.14	17.9	18.7	2.37	18.1	19.9	2.60	18.4	22.3	3.11	18.8	24.8	3.67	19.2			
	20	50	12.6	1.51	24.0	15.0	1.92	24.9	17.5	2.38	25.7	18.7	2.64	26.1	19.9	2.90	26.5	22.3	3.47	27.4	24.8	4.09	28.3			
		60	12.6	1.48	23.4	15.0	1.89	24.0	17.5	2.34	24.7	18.7	2.59	25.1	19.9	2.85	25.4	22.3	3.40	26.1	24.8	4.01	28.9			
		96	12.6	1.42	22.1	15.0	1.80	22.5	17.5	2.23	22.9	18.7	2.46	23.2	19.9	2.71	23.4	22.3	3.23	23.8	24.8	3.81	24.3			
	25	50	12.6	1.76	29.1	15.0	2.25	30.0	17.5	2.80	30.8	18.7	3.10	31.2	19.9	3.41	31.7	22.3	4.09	32.6	24.8	4.83	33.5			
		60	12.6	1.73	28.4	15.0	2.21	29.1	17.5	2.75	29.8	18.7	3.04	30.2	19.9	3.35	30.6	22.3	4.01	31.3	24.8	4.74	32.0			
		96	12.6	1.65	27.1	15.0	2.10	27.6	17.5	2.61	28.0	18.7	2.89	28.2	19.9	3.18	28.4	22.3	3.81	28.9	24.8	4.49	29.4			
	30	50	12.6	2.06	34.2	15.0	2.64	35.1	17.5	3.30	36.0	18.7	3.65	36.4	19.9	4.03	36.9	22.3	4.84	37.8	24.8	5.72	38.7			
		60	12.6	2.02	33.5	15.0	2.59	34.2	17.5	3.24	34.9	18.7	3.58	35.3	19.9	3.95	35.7	22.3	4.75	38.5	24.8	5.61	37.3			
		96	12.6	1.93	32.2	15.0	2.47	32.6	17.5	3.08	33.1	18.7	3.41	33.3	19.9	3.76	33.5	22.3	4.51	34.0	24.8	5.33	34.5			
	35	50	12.6	2.82	44.4	15.0	3.71	45.4	17.5	4.74	46.4	18.7	5.17	46.6	19.9	5.51	46.7	22.3	6.42	47.6	24.8	7.58	48.7			
		60	12.6	2.77	43.7	15.0	3.64	44.5	17.5	4.62	45.3	18.7	5.17	45.7	19.9	5.41	45.9	22.3	6.35	46.0	24.8	7.49	46.1			
		96	12.6	2.47	42.3	15.0	3.20	42.7	17.5	4.03	43.2	18.7	4.48	43.5	19.9	4.96	43.7	22.3	5.99	44.2	24.8	6.15	44.4			
	40	50	12.6	2.39	41.8	15.0	3.10	42.2	17.5	3.90	42.6	18.7	4.34	42.8	19.9	4.80	43.0	22.3	5.79	43.4	24.8	6.04	43.5			
		60	12.6	2.31	40.9	15.0	3.06	41.5	17.5	3.83	41.9	18.7	4.27	42.1	19.9	4.72	42.3	22.3	5.66	42.7	24.8	5.91	43.3			
		96	12.6	2.09	39.5	15.0	2.76	39.9	17.5	3.58	40.3	18.7	3.97	40.5	19.9	4.38	40.7	22.3	5.27	41.2	24.8	5.62	43.0			
	45	50	12.6	3.13	49.4	15.0	4.16	49.5	17.5	5.29	49.6	18.7	5.74	49.7	19.9	6.08	49.7	22.3	7.07	49.7	24.8	8.34	49.7			
		60	12.6	3.18	48.8	15.0	4.16	49.1	17.5	5.29	49.2	18.7	5.74	49.3	19.9	6.08	49.3	22.3	7.07	49.3	24.8	8.34	49.3			
		96	12.6	2.79	47.3	15.0	3.69	47.8	17.5	4.54	48.2	18.7	5.07	48.3	19.9	5.49	48.3	22.3	6.42	48.4	24.8	7.64	48.4			
60	10	50	10.81	1.16	13.4	12.9	1.45	14.1	15.0	1.78	14.8	16.0	1.95	15.2	17.1	2.14	15.5	19.1	2.54	16.2	21.2	2.98	16.9			
		60	10.81	1.14	12.9	12.9	1.42	13.4	15.0	1.75	14.0	16.0	1.92	14.3	17.1	2.10	14.6	19.1	2.50	15.2	21.2	2.92	15.8			
		96	10.81	1.09	11.8	12.9	1.36	12.1	15.0	1.66	12.5	16.0	1.83	12.7	17.1	2.00	12.8	19.1	2.37	13.2	21.2	2.78	13.6			
	15	50	10.81	1.07	11.4	12.9	1.33	11.7	15.0	1.63	12.0	16.0	1.79	12.1	17.1	1.96	12.3	19.1	2.33	12.6	21.2	2.72	12.9			
		60	10.81	1.20	16.4	12.9	1.38	16.7	15.0	1.69	17.0	16.0	1.86	17.1	17.1	2.03	17.3	19.1	2.41	17.6	21.2	2.82	17.7			
		96	10.81	1.18	17.9	12.9	1.47	18.4	15.0	1.81	19.0	16.0	1.99	19.3	17.1	2.18	19.6	19.1	2.58	20.2	21.2	3.03	20.8			
	20	50	10.81	1.12	16.8	12.9	1.40	17.1	15.0	1.72	17.5	16.0	1.89	17.7	17.1	2.07	17.9	19.1	2.46	18.2	21.2	2.88	18.6			
		60	10.81	1.10	16.4	12.9	1.38	16.7	15.0	1.69	17.0	16.0	1.86	17.1	17.1	2.03	17.3	19.1	2.41	17.6	21.2	2.82	17.9			
		96	10.81	1.24	23.5	12.9	1.56	24.1	15.0	1.91	24.8	16.0	2.10	25.2	17.1	2.30	25.6	19.1	2.73	26.3	21.2	3.20	27.0			
	25	50	10.81	1.22	22.9	12.9	1.53	23.4	15.0	1.87	24.0	16.0	2.06	24.3	17.1	2.26	24.6	19.1	2.68	25.2	21.2	3.14	25.8			
		60	10.81	1.16	21.8	12.9	1.46	22.1	15.0	1.79	22.5	16.0	1.96	22.7	17.1	2.15	22.9	19.1	2.55	23.2	21.2	2.99	23.6			
		96	10.81	1.14	21.4	12.9	1.43	21.7	15.0	1.75	22.0	16.0	1.93	22.1	17.1	2.11	22.3	19.1	2.50	22.6	21.2	2.93	22.9			
	30	50	10.81	1.44	28.5	12.9	1.83	29.2	15.0	2.23	29.9	16.0	2.46	30.3	17.1	2.70	30.7	19.1	3.21	31.4	21.2	3.77	32.2			
		60	10.81	1.42	27.9	12.9	1.78	28.5	15.0	2.19	29.1	16.0	2.42	29.4	17.1	2.65	29.7	19.1	3.15	30.3	21.2	3.70	31.0			
		96	10.81	1.35	26.8	12.9	1.70	27.2	15.0	2.09	27.5	16.0	2.30	27.7	17.1	2.52	27.9	19.1	3.00	28.3	21.2	3.52	28.7			
	35	50	10.81	1.33	26.5	12.9	1.67	26.7	15.0	2.05	27.0	16.0	2.26	27.2	17.1	2.47	27.3	19.1	2.94	27.6	21.2	3.45	27.9			
		60	10.81	1.68	33.6	12.9	2.12	34.3	15.0	2.62	35.0	16.0	2.89	35.4	17.1	3.18	35.8	19.1	3.79	36.6	21.2	4.46	37.4			
		96	10.81	1.65	33.0	12.9	2.09	33.6	15.0	2.58	34.2	16.0	2.84	34.5	17.1	3.12	34.8	19.1	3.72	35.5	21.2	4.37	36.1			
	40	50	10.81	1.58	31.9	12.9	1.99	32.2	15.0	2.45	32.6	16.0	2.70	32.8	17.1	2.97	33.0	19.1	3.54	33.4	21.2	4.16	33.8			
		60	10.81	1.55	31.5	12.9	1.95	31.8	15.0	2.41	32.1	16.0	2.65	32.2	17.1	2.91	32.4	19.1	3.47	32.7	21.2	4.07	33.0			
		96	10.81	1.97	38.7	12.9	2.50	39.4	15.0	3.10	40.2	16.0	3.43	40.6	17.1	3.77	41.0	19.1	4.51	41.8	21.2	5.32	42.6			
	45	50	10.81	1.94	38.0	12.9	2.46	38.7	15.0	3.05	39.3	16.0	3.37	39.6	17.1	3.70	40.0	19.1	4.43	40.6	21.2	5.22	41.3			
		60	10.81	1.85	36.9	12.9	2.34	37.3	15.0	2.90	37.7	16.0	3.20	37.9	17.1	3.52	38.1	19.1	4.20	38.5	21.2	4.95	38.9			
		96	10.81	1.81	36.5	12.9	2.30	36.8	15.0	2.84	37.1	16.0	3.14	37.3	17.1	3.45	37.5	19.1	4.12	37.8	21.2	4.86	38.1			
50	10	50	9.01	0.93	12.9	10.7	1.15	13.4	12.5	1.39	14.0	13.4	1.52	14.3	14.2	1.65	14.6	16.0	1.94	15.1	17.7	2.26	15.7			
		60	9.01	0.92	12.4	10.7	1.13	12.8	12.5	1.36	13.3	13.4	1.49	13.5	14.2	1.62	13.8	16.0	1.91	14.3	17.7	2.22	14.8			
		96	9.01	0.88	11.5	10.7	1.08	11.8	12.5	1.30	12.1	13.4	1.42	12.2	14.2	1.55	12.4	16.0	1.82	12.7	17.7	2.11	13.0			
	15	50	9.01	0.86	11.2	10.7	1.06	11.4	12.5	1.28	11.6	13.4	1.40	11.8	14.2	1.52	11.9	16.0	1.78	12.1	17.7	2.07	12.4			
		60	9.01	0.96	17.9	10.7	1.19	18.4	12.5	1.44	19.0	13.4	1.57	19.3	14.2	1.71	19.6	16.0	2.01	20.2	17.7	2.34	20.7			
		96	9.01	0.95	17.4	10.7	1.17	17.8	12.5	1.41	18.3	13.4	1.54	18.6	14.2	1.68	18.8	16.0	1.97	19.3	17.7	2.29	19.8			
	20	50	9.01	0.91	16.5	10.7	1.12	16.8	12.5	1.35	17.1	13.4	1.47	17.2	14.2	1.60	17.4	16.0	1.88	17.7	17.7	2.18	18.0			
		60	9.01	0.89	16.2	10.7	1.10	16.4	12.5	1.32	16.6	13.4	1.44	16.8	14.2	1.57	16.9	16.0	1.85	17.1	17.7	2.14	17.4			
		96	9.01	1.00	22.9	10.7	1.23	23.4	12.5	1.49																

4 Capacity tables

4 - 2 Cooling capacity tables

RWEYQ16PY1

TC: Total Capacity: kW ; PI: Power Input: kW (compressor + outdoor fan motor) ; OWT: Outlet Water Temperatur: °C

Combination (%)	Inlet Water Temp. (°C)	Water Volume L/min	Indoor air temperature: °CDB																																																																																																																																																																																																																																																																																																																																																																																																																																																																																																																																																																																																																																																																																																																																																																																																																																																																																																																																																																																																																																																																																																																																																																																																																																																																																																																																																									
			14.0						16.0						18.0						19.0						20.0						22.0						24.0																																																																																																																																																																																																																																																																																																																																																																																																																																																																																																																																																																																																																																																																																																																																																																																																																																																																																																																																																																																																																																																																																																																																																																																																																																																																																																																					
			TC	PI	OWT	TC	PI	OWT	TC	PI	OWT	TC	PI	OWT	TC	PI	OWT	TC	PI	OWT	TC	PI	OWT	TC	PI	OWT	TC	PI	OWT	TC	PI	OWT	TC	PI	OWT	TC	PI	OWT																																																																																																																																																																																																																																																																																																																																																																																																																																																																																																																																																																																																																																																																																																																																																																																																																																																																																																																																																																																																																																																																																																																																																																																																																																																																																																																						
130	10	50	39.3	5.25	16.4	46.9	6.99	17.7	51.2	7.39	18.4	52.0	7.42	18.5	52.7	7.45	18.6	53.8	7.50	18.8	54.8	7.52	18.9	50	39.3	5.15	15.3	46.9	6.85	16.4	51.5	7.32	17.0	52.2	7.35	17.1	52.9	7.38	17.2	54.1	7.42	17.4	55.0	7.45	17.5	96	39.3	4.89	13.3	46.9	6.50	14.0	52.1	7.12	14.4	52.9	7.15	14.5	53.6	7.18	14.5	54.8	7.22	14.6	55.8	7.25	14.7	120	39.3	4.80	12.6	46.9	6.37	13.2	52.3	7.04	13.5	53.1	7.07	13.6	53.8	7.10	13.6	55.1	7.15	13.7	56.1	7.18	13.8	96	39.3	5.43	21.4	46.9	7.24	22.8	50.3	7.61	23.3	51.0	7.64	23.4	51.7	7.67	23.5	52.8	7.72	23.7	53.7	7.74	23.8	60	39.3	5.33	20.3	46.9	7.10	21.4	50.5	7.53	21.9	51.3	7.56	22.0	52.0	7.59	22.1	53.1	7.64	22.3	54.0	7.67	22.4	96	39.3	5.06	18.3	46.9	6.73	19.0	51.2	7.32	19.4	51.9	7.36	19.4	52.6	7.39	19.5	53.8	7.44	19.6	54.7	7.46	19.6	120	39.3	4.96	17.6	46.9	6.60	18.2	51.4	7.25	18.5	52.2	7.28	18.6	52.9	7.31	18.6	54.0	7.36	18.7	55.0	7.39	18.7	96	39.3	5.65	26.4	46.9	7.52	27.8	49.1	7.82	28.2	49.8	7.86	28.3	50.5	7.89	28.4	51.5	7.94	28.5	52.3	7.96	28.6	60	39.3	5.54	25.4	46.9	7.38	26.5	49.4	7.75	26.8	50.1	7.78	26.9	50.7	7.81	27.0	51.8	7.86	27.1	52.6	7.89	27.2	96	39.3	5.26	23.3	46.9	7.00	24.0	50.0	7.53	24.3	50.7	7.57	24.4	51.4	7.60	24.4	52.5	7.65	24.5	53.3	7.68	24.6	120	39.3	5.16	22.7	46.9	6.86	23.2	50.2	7.45	23.4	50.9	7.49	23.5	51.6	7.52	23.5	52.7	7.57	23.6	53.6	7.60	23.7	96	39.3	6.66	31.6	46.1	8.61	32.8	47.7	8.70	33.1	48.3	8.74	33.2	48.9	8.77	33.3	49.9	8.81	33.4	50.6	8.84	33.5	60	39.3	6.53	30.5	46.4	8.52	31.6	47.9	8.61	31.8	48.6	8.65	31.8	49.2	8.68	31.9	50.1	8.73	32.0	50.9	8.75	32.1	96	39.3	6.20	28.4	46.9	8.27	29.1	48.5	8.38	29.2	49.2	8.42	29.3	49.8	8.45	29.3	50.8	8.49	29.4	51.6	8.52	29.5	120	39.3	6.08	27.7	46.9	8.10	28.3	48.7	8.29	28.4	49.4	8.33	28.4	50.0	8.36	28.5	51.1	8.41	28.6	51.8	8.43	28.6	96	39.3	7.89	36.8	44.5	9.48	37.7	45.9	9.58	38.0	46.6	9.62	38.1	47.1	9.65	38.1	47.9	9.69	38.3	48.5	9.71	38.3	60	39.3	7.73	35.6	44.7	9.39	36.5	46.2	9.49	36.6	46.8	9.52	36.7	47.3	9.56	36.8	48.2	9.60	36.9	48.8	9.61	37.0	96	39.3	7.34	33.5	45.3	9.13	34.1	46.7	9.23	34.2	47.4	9.27	34.2	47.9	9.30	34.3	48.8	9.34	34.3	49.5	9.36	34.4	120	39.3	7.20	32.8	45.5	9.03	33.3	47.0	9.13	33.4	47.6	9.17	33.4	48.2	9.20	33.4	49.1	9.25	33.5	49.7	9.26	33.5	96	39.3	9.42	42.0	42.6	10.4	42.6	43.9	10.5	42.8	44.4	10.5	42.9	44.9	10.5	42.9	45.6	10.6	43.1	60	39.3	9.24	40.8	42.8	10.3	41.3	44.1	10.4	41.5	44.7	10.4	41.6	45.1	10.4	41.6	45.8	10.5	41.7	46.3	10.5	41.8	96	39.3	8.77	38.6	43.3	9.98	39.0	44.7	10.1	39.1	45.2	10.1	39.1	45.7	10.2	39.2	46.5	10.2	39.2	46.9	10.2	39.3	120	39.3	8.60	37.9	43.5	9.88	38.2	44.9	9.98	38.3	45.5	10.0	38.3	46.0	10.0	38.3	46.7	10.1	38.4	47.2	10.1	38.4	96	39.3	7.64	35.7	43.9	9.48	35.8	33.5	7.72	45.9	33.6	7.71	45.9	33.6	7.68	45.9	33.3	7.60	45.9	33.3	7.47	45.9	32.5	7.47	45.7	60	33.6	8.25	45.0	34.7	8.33	45.1	35.5	8.37	45.2	35.7	8.37	45.3	35.8	8.36	45.3	35.7	8.30	45.3	35.2	8.20	45.2	96	38.2	9.24	43.5	39.7	9.35	43.7	40.8	9.43	43.8	41.2	9.45	43.8	41.6	9.47	43.8	42.0	9.47	43.8	42.1	9.44	43.9	120	38.5	9.08	42.8	40.0	9.20	42.9	41.2	9.27	43.0	41.6	9.30	43.0	42.0	9.32	43.1	42.5	9.32	43.1	42.6	9.29	43.1	50	22.4	4.82	48.9	22.1	4.75	48.9	21.2	4.62	48.7	20.5	4.52	48.6	19.7	4.41	48.5	17.5	4.14	48.1	14.6	3.81	47.6	60	24.5	5.32	48.6	24.6	5.29	48.6	24.1	5.20	48.5	23.7	5.12	48.4	23.0	5.04	48.4	21.4	4.82	48.1	19.1	4.55	47.8	96	30.6	6.99	47.8	31.4	7.04	47.9	31.8	7.03	47.9	31.8	7.01	47.9	31.7	6.98	47.9	31.2	6.88	47.8	30.2	6.74	47.8	120	33.5	8.03	47.5	34.6	8.11	47.6	35.4	8.14	47.6	35.6	8.14	47.6	35.7	8.13	47.6	35.6	8.08	47.6	35.1	7.98	47.6	10	36.3	4.63	15.9	43.3	6.13	17.1	50.3	7.34	18.3	51.1	7.38	18.4	51.8	7.41	18.5	53.0	7.47	18.7	54.1	7.50	18.8	60	36.3	4.54	14.9	43.3	6.01	15.9	50.3	7.26	16.9	51.3	7.31	17.0	52.0	7.34	17.1	53.3	7.39	17.2	54.3	7.43	17.4	96	36.3	4.31	13.0	43.3	5.70	13.7	50.3	7.02	14.3	52.0	7.11	14.4	52.7	7.14	14.5	54.0	7.19	14.6	55.0	7.23	14.7	120	36.3	4.23	12.4	43.3	5.59	12.9	50.3	6.93	13.4	52.2	7.03	13.5	52.9	7.07	13.6	54.2	7.12	13.7	55.3	7.16	13.7	96	36.3	4.79	20.9	43.3	6.34	22.1	49.4	7.56	23.2	50.2	7.60	23.3	50.9	7.63	23.4	52.1	7.69	23.6	53.0	7.72	23.7	60	36.3	4.70	19.9	43.3	6.22	20.9	49.7	7.49	21.8	50.4	7.52	21.9	51.1	7.56	22.0	52.3	7.61	22.2	53.3	7.65	22.3	96	36.3	4.46	18.0	43.3	5.91	18.7	50.3	7.28	19.3	51.0	7.32	19.4	51.7	7.35	19.4	53.0	7.40	19.5	54.0	7.44	19.6	120	36.3	4.38	17.4	43.3	5.79	17.9	50.3	7.19	18.4	51.3	7.24	18.5	52.0	7.27	18.5	53.2	7.33	18.6	54.3	7.37	18.7	10	36.3	4.98	25.9	43.3	6.60	27.1	48.3	7.78	28.0	49.0	7.82	28.1	49.7	7.85	28.2	50.8	7.91	28.4	51.7	7.94	28.6	60	36.3	4.88	24.9	43.3	6.47	25.9	48.5	7.70	26.7	49.2	7.74	26.8	49.9	7.77	26.9	51.0	7.83	27.0	52.0	7.87	27.1	96	36.3	4.64	23.1	43.3	6.14	23.7	49.1	7.49	24.2	49.8	7.53	24.3	50.5	7.56	24.3	51.7	7.62	24.4	52.7	7.65	24.5	120	36.3	4.55	22.4	43.3	6.02	22.9	49.3	7.41	23.4	50.1	7.45	23.4	50.8	7.48	23.5	52.0	7.54	23.6	52.9	7.58	23.6	96	36.3	5.86	31.0	43.3	7.78	32.3	46.9	8.65	33.0	47.6	8.69	33.1	48.2	8.73	33.2	49.2	8.78	33.3	50.1	8.82	33.4	60	36.3	5.75	30.0	43.3	7.64	31.1	47.1	8.56	31.6	47.8	8.60	31.7	48.4	8.64	31.8	49.5	8.70	32.0	50.3	8.74	32.1	96	36.3	5.46	28.1	43.3	7.25	28.8	47.7	8.33	29.2	48.4	8.37	29.2	49.0	8.41	29.3	50.1	8.46	29.4	51.0	8.50	29.4	120	36.3	5.36	27.5	43.3	7.10	28.0	47.9	8.24	28.4	48.6	8.28	28.4	49.2	8.32	28.4	50.4	8.37	28.5	51.3	8.41	28.6	10	36.3	6.93	36.2	43.3	9.23	37.5	45.2	9.53	37.8	45.8	9.57	37.9	46.4	9.61	38.0	47.4	9.67	38.1	48.0	9.71	38.1	49.0	9.76	38.2	60	36.3	6.80	35.1	43.3	9.06	36.3	45.4	9.43	36.5	46.0	9.48	36.6	46.6	9.51	36.7	47.6	9.57	36.8	48.3	9.60	36.9	96	36.3	6.46	33.2	43.3	8.59	33.9	46.0	9.18	34.1	46.6	9.22	34.2	47.2	9.26	34.2	48.2	9.31	34.3	49.0	9.35	34.4	120	36.3	6.33	32.5	43.3	8.42	33.1	46.2	9.08	33.3	46.8	9.12	33.3	47.4	9.16	33.4	48.5	9.22	33.4	49.3	9.25	33.5	50	36.3	8.27	41.4	41.8	10.3	42.5	43.2	10.4	42.7	43.8	10.5	42.8	44.3	10.5	42.9	45.1	10.5	43.0	45.7	10.6	43.1	60	36.3	8.11	40.3	42.0	10.2	41.2	43.4	10.3	41.4	44.0	10.4	41.5	44.5	10.4	41.6	45.4	10.4	41.7	46.0	10.5	41.7	96	36.3	7.70	38.3	42.5	9.93	38.9	44.0	10.0	39.0	44.6	10.1	39.1	45.1	10.1	39.1	46.0	10.2	39.2	46.6	10.2	39.2	120	36.3	7.55	37.6	42.7	9.82	38.1	44.2	9.93	38.2	44.8	9.97	38.3	45.3	10.0	38.3	46.2	10.1	38.4	46.9	10.1	38.4	50	31.4	7.80	45.6	32.5	7.68	45.8	33.2	7.71	45.9	33.4	7.72	45.9	33.5	7.71	45.9	33.5	7.66	45.9	33.1	7.58	45.8	60	33.0	8.21	44.9	34.2	8.30	45.1	35.1	8.35	45.2	35.4	8.36	45.2	35.6	8.37	45.3	35.8	8.34	45.3	35.6	8.28	45.2	96	36.3	8.57	43.3	39.0	9.30	43.6	40.2	9.39	43.7	40.7	9.42	43.7	41.1	9.45	43.8	41.8	9.47	43.8	42.1	9.47	43.8	120	36.3	8.29	42.7	39.3	9.15</

4 Capacity tables

4 - 2 Cooling capacity tables

RWEYQ16PY1

TC: Total Capacity: kW ; PI: Power Input: kW (compressor + outdoor fan motor) ; OWT: Outlet Water Temperatur: °C

Combination (%)	Inlet Water Temp. (°C)	Water Volume L/min	Indoor air temperature: °CDB																							
			14.0			16.0			18.0			19.0			20.0			22.0			24.0					
			TC	PI	OWT	TC	PI	OWT	TC	PI	OWT	TC	PI	OWT	TC	PI	OWT	TC	PI	OWT	TC	PI	OWT			
100	10	50	30.2	3.50	14.8	36.1	4.58	15.8	41.9	5.81	16.8	44.8	6.48	17.4	47.7	7.19	17.9	51.0	7.38	18.4	52.2	7.43	18.5			
		60	30.2	3.44	14.0	36.1	4.50	14.8	41.9	5.70	15.7	44.8	6.36	16.1	47.7	7.06	16.5	51.3	7.31	17.0	52.4	7.36	17.1			
		96	30.2	3.27	12.5	36.1	4.27	13.0	41.9	5.41	13.5	44.8	6.04	13.8	47.7	6.69	14.1	51.9	7.11	14.4	53.1	7.16	14.5			
	15	50	30.2	3.32	17.0	36.1	4.34	17.4	41.9	5.50	17.8	44.8	6.13	18.0	47.7	6.79	18.3	51.2	7.24	18.5	52.4	7.29	18.6			
		60	30.2	3.63	19.9	36.1	4.74	20.8	41.9	6.02	21.9	44.8	6.71	22.4	47.7	7.45	22.9	50.1	7.60	23.3	51.2	7.65	23.4			
		96	30.2	3.56	19.0	36.1	4.65	19.9	41.9	5.90	20.7	44.8	6.59	21.1	47.7	7.31	21.6	50.4	7.52	21.9	51.5	7.57	22.1			
	20	50	30.2	3.39	17.5	36.1	4.42	18.0	41.9	5.60	18.5	44.8	6.25	18.8	47.7	6.93	19.1	51.0	7.32	19.4	52.1	7.37	19.4			
		60	30.2	3.32	17.0	36.1	4.34	17.4	41.9	5.50	17.8	44.8	6.13	18.0	47.7	6.79	18.3	51.2	7.24	18.5	52.4	7.29	18.6			
		96	30.2	3.77	24.9	36.1	4.93	25.9	41.9	6.26	26.9	44.8	6.98	27.4	47.7	7.75	28.0	49.0	7.81	28.1	50.0	7.87	28.3			
	25	50	30.2	3.70	24.1	36.1	4.84	24.9	41.9	6.14	25.7	44.8	6.85	26.2	47.7	7.60	26.6	49.2	7.74	26.8	50.3	7.79	26.9			
		60	30.2	3.52	22.5	36.1	4.60	23.0	41.9	5.83	23.6	44.8	6.50	23.8	47.7	7.21	24.1	49.8	7.53	24.3	50.9	7.58	24.4			
		96	30.2	3.45	22.0	36.1	4.51	22.4	41.9	5.71	22.8	44.8	6.37	23.1	47.7	7.06	23.3	50.0	7.45	23.5	51.1	7.50	23.5			
30	50	30.2	4.42	30.0	36.1	5.80	31.0	41.9	7.38	32.1	44.8	8.24	32.6	46.3	8.62	32.9	47.5	8.69	33.1	48.5	8.75	33.2				
	60	30.2	4.34	29.1	36.1	5.69	30.0	41.9	7.24	30.9	44.8	8.08	31.3	46.5	8.53	31.6	47.7	8.50	31.7	48.8	8.66	31.9				
	96	30.2	4.13	27.6	36.1	5.41	28.1	41.9	6.87	28.6	44.8	7.67	28.9	47.1	8.30	29.1	48.3	8.37	29.2	49.4	8.43	29.3				
35	50	30.2	4.05	27.0	36.1	5.30	27.5	41.9	6.74	27.9	44.8	7.52	28.1	47.3	8.21	28.3	48.6	8.28	28.4	49.6	8.34	28.5				
	60	30.2	5.21	35.1	36.1	6.86	36.2	41.9	8.75	37.3	44.1	9.45	37.7	44.7	9.49	37.8	45.8	9.57	37.9	46.7	9.63	38.1				
	96	30.2	5.12	34.2	36.1	6.73	35.1	41.9	8.58	36.0	44.3	9.36	36.4	44.9	9.40	36.5	46.0	9.47	36.6	46.9	9.53	36.7				
40	50	30.2	4.86	32.6	36.1	6.39	33.2	41.9	8.14	33.7	44.8	9.10	34.0	45.4	9.14	34.1	46.6	9.22	34.2	47.6	9.28	34.2				
	60	30.2	4.77	32.1	36.1	6.27	32.5	41.9	7.98	33.0	44.8	8.92	33.2	45.6	9.05	33.3	46.8	9.12	33.3	47.8	9.18	33.4				
	96	30.2	6.19	40.2	36.1	8.19	41.3	41.9	10.3	42.4	42.2	10.3	42.5	42.7	10.4	42.6	43.8	10.5	42.8	44.6	10.5	42.9				
45	50	30.2	6.08	39.3	36.1	8.03	40.3	41.9	10.2	41.2	42.3	10.2	41.3	42.9	10.3	41.4	44.0	10.4	41.5	44.8	10.4	41.6				
	60	30.2	5.78	37.7	36.1	7.62	38.3	41.9	9.74	38.9	42.9	9.95	38.9	43.5	10.00	39.0	44.5	10.1	39.1	45.4	10.1	39.1				
	96	30.2	5.67	37.1	36.1	7.48	37.6	41.9	9.55	38.1	43.1	9.85	38.2	43.7	9.89	38.2	44.7	9.97	38.3	45.6	10.0	38.3				
50	50	30.2	7.50	45.4	31.4	7.60	45.6	32.3	7.67	45.7	32.7	7.69	45.8	33.0	7.71	45.8	33.4	7.72	45.9	33.6	7.70	45.9				
	60	30.2	7.34	44.5	33.0	8.20	44.9	34.0	8.28	45.1	34.5	8.31	45.1	34.8	8.34	45.2	35.4	8.36	45.2	35.7	8.36	45.3				
	96	30.2	6.38	42.7	36.1	8.49	43.3	38.7	9.28	43.6	39.8	9.32	43.6	39.8	9.36	43.7	40.7	9.42	43.7	41.4	9.46	43.8				
55	50	30.2	6.18	42.2	36.1	8.21	42.6	39.1	9.12	42.9	39.6	9.17	42.9	40.2	9.21	42.9	41.1	9.27	43.0	41.7	9.31	43.0				
	60	30.2	4.82	48.8	22.3	4.83	48.9	22.3	4.81	48.9	22.2	4.78	48.9	22.0	4.74	48.8	21.3	4.64	48.7	20.3	4.49	48.6				
	96	30.2	4.82	48.5	24.3	5.32	48.5	24.6	5.32	48.6	24.7	5.31	48.6	24.6	5.28	48.6	24.2	5.21	48.5	23.5	5.10	48.4				
60	50	30.2	6.87	47.7	30.1	6.96	47.8	30.9	7.01	47.8	31.2	7.03	47.9	31.5	7.04	47.9	31.8	7.04	47.9	31.8	7.01	47.9				
	60	30.2	6.18	47.2	32.9	7.99	47.4	33.9	8.06	47.5	34.4	8.09	47.5	34.7	8.12	47.6	35.3	8.14	47.6	35.6	8.14	47.6				
	96	30.2	6.87	47.7	30.1	6.96	47.8	30.9	7.01	47.8	31.2	7.03	47.9	31.5	7.04	47.9	31.8	7.04	47.9	31.8	7.01	47.9				
65	50	27.2	3.00	14.3	32.5	3.90	15.2	37.7	4.91	16.1	40.3	5.47	16.6	42.9	6.05	17.0	48.2	7.22	17.9	51.0	7.38	18.4				
	60	27.2	2.95	13.6	32.5	3.82	14.3	37.7	4.82	15.1	40.3	5.36	15.5	42.9	5.94	15.8	48.2	7.14	16.6	51.2	7.31	17.0				
	96	27.2	2.81	12.2	32.5	3.64	12.7	37.7	4.58	13.2	40.3	5.09	13.4	42.9	5.63	13.6	48.2	6.80	14.1	51.9	7.11	14.4				
70	50	27.2	2.76	11.8	32.5	3.57	12.2	37.7	4.49	12.5	40.3	4.99	12.7	42.9	5.52	12.9	48.2	6.67	13.3	52.1	7.03	13.5				
	60	27.2	3.11	19.3	32.5	4.03	20.2	37.7	5.09	21.1	40.3	5.66	21.6	42.9	6.27	22.1	48.2	7.48	23.0	50.1	7.60	23.3				
	96	27.2	3.05	18.6	32.5	3.96	19.4	37.7	4.99	20.1	40.3	5.55	20.5	42.9	6.15	20.9	48.2	7.39	21.6	50.3	7.52	21.9				
75	50	27.2	2.90	17.2	32.5	3.76	17.7	37.7	4.74	18.2	40.3	5.27	18.4	42.9	5.83	18.6	48.2	7.04	19.1	51.0	7.31	19.4				
	60	27.2	2.85	16.8	32.5	3.69	17.2	37.7	4.65	17.5	40.3	5.17	17.7	42.9	5.72	17.9	48.2	6.91	18.3	51.2	7.24	18.5				
	96	27.2	3.23	24.4	32.5	4.19	25.3	37.7	5.28	26.2	40.3	5.88	26.6	42.9	6.51	27.1	47.8	7.75	28.0	48.9	7.81	28.1				
80	50	27.2	3.17	23.6	32.5	4.11	24.4	37.7	5.19	25.1	40.3	5.77	25.5	42.9	6.39	25.9	48.0	7.68	26.7	49.2	7.73	26.8				
	60	27.2	3.02	22.3	32.5	3.91	22.7	37.7	4.93	23.2	40.3	5.48	23.4	42.9	6.06	23.7	48.0	7.32	24.1	49.8	7.52	24.3				
	96	27.2	2.96	21.8	32.5	3.84	22.2	37.7	4.83	22.5	40.3	5.37	22.7	42.9	5.95	22.9	48.2	7.18	23.3	50.0	7.44	23.4				
85	50	27.2	3.78	29.4	32.5	4.92	30.4	37.7	6.23	31.3	40.3	6.94	31.8	42.9	7.69	32.3	46.4	8.62	32.9	47.5	8.69	33.1				
	60	27.2	3.71	28.7	32.5	4.83	29.5	37.7	6.11	30.2	40.3	6.80	30.6	42.9	7.54	31.0	46.6	8.54	31.6	47.7	8.60	31.7				
	96	27.2	3.53	27.3	32.5	4.59	27.8	37.7	5.80	28.2	40.3	6.46	28.5	42.9	7.16	28.7	47.2	8.30	29.1	48.3	8.37	29.2				
90	50	27.2	3.47	26.8	32.5	4.51	27.2	37.7	5.69	27.6	40.3	6.33	27.8	42.9	7.01	28.0	47.4	8.22	28.3	48.5	8.28	28.4				
	60	27.2	4.45	34.5	32.5	5.81	35.5	37.7	7.37	36.5	40.3	8.22	37.0	42.9	9.12	37.5	44.8	9.50	37.8	45.8	9.57	37.9				
	96	27.2	4.37	33.8	32.5	5.70	34.6	37.7	7.23	35.4	40.3	8.06	35.8	42.9	8.94	36.2	45.0	9.41	36.5	46.0	9.47	36.6				
95	50	27.2	4.15	32.3	32.5	5.42	32.8	37.7	6.86	33.3	40.3	7.65	33.6	42.9	8.48	33.8	45.5	9.15	34.1	46.6	9.22	34.2				
	60	27.2	4.08	31.9	32.5	5.32	32.3	37.7	6.73	32.7	40.3	7.50	32.9	42.9	8.32	33.1	45.7	9.05	33.3	46.8	9.12	33.3				
	96	27.2	5.27	39.7	32.5	6.92	40.6	37.7	8.80	41.7	40.3	9.83	42.2	41.8	10.3	42.5	42.8	10.4	42.6	43.7	10.5	42.8				
100	50	27.2	5.17	38.9	32.5	6.79	39.7	37.7	8.63	40.5	40.3	9.64	41.0	41.9	10.2	41.2	43.0	10.3	41.4	43.9	10.4	41.5				
	60	27.2	4.92	37.4	32.5	6.45	37.9	37.7	8.19	38.4	40.3	9.14	38.7	42.5	9.92	38.9	43.6	10.0	39.0	44.5	10.1	39.1				
	96	27.2	4.83	36.9	32.5	6.32	37.3	37.7	8.03	37.7	40.3	8.96	37.9	42.7												

4 Capacity tables

4 - 2 Cooling capacity tables

RWEYQ16PY1

TC: Total Capacity: kW ; PI: Power Input: kW (compressor + outdoor fan motor) ; OWT: Outlet Water Temperatur: °C

Combination (%)	Inlet Water Temp. (°C)	Water Volume L/min	Indoor air temperature: °CDB																				
			14.0			16.0			18.0			19.0			21.0			22.0			24.0		
			TC	PI	OWT	TC	PI	OWT	TC	PI	OWT	TC	PI	OWT	TC	PI	OWT	TC	PI	OWT	TC	PI	OWT
70	10	50	21.2	2.12	13.3	25.2	2.70	14.0	29.3	3.35	14.7	31.4	3.70	15.0	33.4	4.07	15.4	37.5	4.87	16.1	41.6	5.74	16.8
		60	21.2	2.09	12.8	25.2	2.65	13.3	29.3	3.29	13.9	31.4	3.63	14.2	33.4	3.99	14.5	37.5	4.78	15.0	41.6	5.63	15.6
		96	21.2	1.99	11.7	25.2	2.53	12.1	29.3	3.13	12.4	31.4	3.45	12.6	33.4	3.80	12.8	37.5	4.54	13.1	41.6	5.34	13.5
		120	21.2	1.96	11.4	25.2	2.48	11.7	29.3	3.07	11.9	31.4	3.39	12.1	33.4	3.73	12.2	37.5	4.45	12.5	41.6	5.24	12.8
	15	50	21.2	2.20	18.3	25.2	2.79	19.0	29.3	3.46	19.7	31.4	3.83	20.0	33.4	4.21	20.4	37.5	5.04	21.1	41.6	5.94	21.8
		60	21.2	2.16	17.8	25.2	2.74	18.3	29.3	3.40	18.9	31.4	3.76	19.2	33.4	4.13	19.5	37.5	4.94	20.1	41.6	5.83	20.7
		96	21.2	2.06	16.7	25.2	2.61	17.1	29.3	3.24	17.4	31.4	3.57	17.6	33.4	3.93	17.8	37.5	4.70	18.1	41.6	5.53	18.5
		120	21.2	2.02	16.4	25.2	2.56	16.7	29.3	3.18	16.9	31.4	3.51	17.1	33.4	3.86	17.2	37.5	4.61	17.5	41.6	5.43	17.8
	20	50	21.2	2.28	23.4	25.2	2.90	24.0	29.3	3.60	24.7	31.4	3.98	25.1	33.4	4.38	25.4	37.5	5.24	26.1	41.6	6.18	26.8
		60	21.2	2.24	22.8	25.2	2.85	23.4	29.3	3.53	23.9	31.4	3.90	24.2	33.4	4.30	24.5	37.5	5.14	25.1	41.6	6.06	26.7
		96	21.2	2.14	21.7	25.2	2.71	22.1	29.3	3.36	22.4	31.4	3.71	22.6	33.4	4.08	22.8	37.5	4.88	23.2	41.6	5.75	23.5
		120	21.2	2.10	21.4	25.2	2.66	21.7	29.3	3.30	21.9	31.4	3.64	22.1	33.4	4.01	22.2	37.5	4.79	22.5	41.6	5.64	22.8
25	50	21.2	2.66	28.4	25.2	3.39	29.1	29.3	4.22	29.8	31.4	4.67	30.2	33.4	5.15	30.5	37.5	6.17	31.3	41.6	7.29	32.0	
	60	21.2	2.61	27.8	25.2	3.33	28.4	29.3	4.14	29.0	31.4	4.59	29.3	33.4	5.05	29.6	37.5	6.05	30.2	41.6	7.15	30.8	
	96	21.2	2.49	26.8	25.2	3.17	27.1	29.3	3.94	27.5	31.4	4.36	27.7	33.4	4.80	27.9	37.5	5.75	28.2	41.6	6.78	28.6	
	120	21.2	2.45	26.4	25.2	3.11	26.7	29.3	3.87	27.0	31.4	4.28	27.1	33.4	4.71	27.3	37.5	5.64	27.6	41.6	6.65	27.9	
30	50	21.2	3.11	33.5	25.2	3.98	34.2	29.3	4.97	34.9	31.4	5.51	35.3	33.4	6.08	35.7	37.5	7.30	36.4	41.6	8.64	37.2	
	60	21.2	3.06	32.9	25.2	3.91	33.5	29.3	4.88	34.1	31.4	5.41	34.4	33.4	5.97	34.7	37.5	7.16	35.3	41.6	8.47	36.0	
	96	21.2	2.91	31.8	25.2	3.72	32.2	29.3	4.64	32.5	31.4	5.14	32.7	33.4	5.67	32.9	37.5	6.80	33.3	41.6	8.04	33.7	
	120	21.2	2.86	31.4	25.2	3.65	31.7	29.3	4.55	32.0	31.4	5.04	32.2	33.4	5.56	32.3	37.5	6.67	32.6	41.6	7.88	33.0	
35	50	21.2	3.66	38.6	25.2	4.71	39.3	29.3	5.91	40.1	31.4	6.56	40.4	33.4	7.24	40.8	37.5	8.71	41.6	41.6	10.3	42.4	
	60	21.2	3.60	38.0	25.2	4.63	38.6	29.3	5.80	39.2	31.4	6.43	39.5	33.4	7.10	39.8	37.5	8.55	40.5	41.6	10.1	41.2	
	96	21.2	3.43	36.8	25.2	4.40	37.2	29.3	5.51	37.6	31.4	6.11	37.8	33.4	6.75	38.0	37.5	8.11	38.4	41.6	9.61	38.8	
	120	21.2	3.36	36.5	25.2	4.32	36.8	29.3	5.40	37.1	31.4	5.99	37.2	33.4	6.62	37.4	37.5	7.95	37.7	41.6	9.42	38.0	
40	50	21.2	4.25	43.6	25.2	5.60	44.4	29.3	7.15	45.2	30.4	7.52	45.4	30.9	7.56	45.5	31.6	7.62	45.6	32.3	7.66	45.7	
	60	21.2	4.18	43.0	25.2	5.49	43.7	29.3	6.98	44.3	31.4	7.79	44.7	32.4	8.16	44.9	33.3	8.22	45.0	34.0	8.28	45.0	
	96	21.2	3.72	41.9	25.2	4.83	42.2	29.3	6.08	42.6	31.4	6.77	42.8	33.4	7.49	43.1	37.5	9.04	43.5	38.7	9.27	43.6	
	120	21.2	3.61	41.5	25.2	4.67	41.8	29.3	5.88	42.1	31.4	6.54	42.3	33.4	7.24	42.4	37.5	8.74	42.8	39.0	9.12	42.9	
45	50	20.3	4.72	48.6	21.1	4.77	48.7	21.7	4.81	48.8	21.9	4.82	48.8	22.1	4.83	48.9	22.3	4.83	48.9	22.3	4.81	48.9	
	60	21.2	4.80	48.1	22.8	5.22	48.3	23.5	5.28	48.4	23.8	5.29	48.5	24.1	5.31	48.5	24.4	5.32	48.6	24.6	5.32	48.6	
	96	21.2	4.21	46.9	25.2	5.57	47.3	28.8	6.86	47.7	29.2	6.89	47.7	29.6	6.92	47.7	30.3	6.97	47.8	30.9	7.01	47.8	
	120	21.2	4.09	46.5	25.2	5.37	46.8	28.3	6.83	47.2	29.4	7.63	47.3	32.4	7.94	47.4	33.2	8.01	47.5	33.9	8.06	47.5	
60	10	50	18.14	1.75	12.9	21.6	2.19	13.4	25.1	2.68	14.0	26.9	2.95	14.3	28.6	3.23	14.6	32.1	3.84	15.2	35.6	4.49	15.8
		60	18.14	1.72	12.4	21.6	2.15	12.8	25.1	2.63	13.3	26.9	2.90	13.6	28.6	3.17	13.8	32.1	3.77	14.3	35.6	4.41	14.8
		96	18.14	1.64	11.5	21.6	2.05	11.8	25.1	2.51	12.1	26.9	2.76	12.2	28.6	3.02	12.4	32.1	3.58	12.7	35.6	4.19	13.0
		120	18.14	1.61	11.2	21.6	2.01	11.4	25.1	2.46	11.6	26.9	2.71	11.8	28.6	2.96	11.9	32.1	3.51	12.1	35.6	4.11	12.4
	15	50	18.14	1.81	17.9	21.6	2.26	18.4	25.1	2.77	19.0	26.9	3.05	19.3	28.6	3.34	19.6	32.1	3.97	20.2	35.6	4.65	20.8
		60	18.14	1.78	17.4	21.6	2.22	17.9	25.1	2.73	18.3	26.9	3.00	18.6	28.6	3.28	18.8	32.1	3.90	19.3	35.6	4.57	19.8
		96	18.14	1.70	16.5	21.6	2.12	16.8	25.1	2.60	17.1	26.9	2.85	17.2	28.6	3.13	17.4	32.1	3.71	17.7	35.6	4.34	18.0
		120	18.14	1.67	16.2	21.6	2.08	16.4	25.1	2.55	16.7	26.9	2.80	16.8	28.6	3.07	16.9	32.1	3.64	17.1	35.6	4.26	17.4
	20	50	18.1	1.87	22.9	21.6	2.35	23.4	25.1	2.88	24.0	26.9	3.17	24.3	28.6	3.47	24.6	32.1	4.12	25.2	35.6	4.83	25.8
		60	18.1	1.84	22.4	21.6	2.31	22.9	25.1	2.83	23.3	26.9	3.11	23.6	28.6	3.41	23.8	32.1	4.05	24.3	35.6	4.74	24.8
		96	18.1	1.76	21.5	21.6	2.20	21.8	25.1	2.69	22.1	26.9	2.96	22.2	28.6	3.24	22.4	32.1	3.85	22.7	35.6	4.51	23.0
		120	18.1	1.73	21.2	21.6	2.16	21.4	25.1	2.65	21.7	26.9	2.91	21.8	28.6	3.18	21.9	32.1	3.78	22.1	35.6	4.42	22.4
25	50	18.1	2.18	27.9	21.6	2.74	28.5	25.1	3.37	29.1	26.9	3.71	29.4	28.6	4.07	29.7	32.1	4.85	30.3	35.6	5.69	30.9	
	60	18.1	2.14	27.4	21.6	2.69	27.9	25.1	3.31	28.4	26.9	3.65	28.6	28.6	4.00	28.9	32.1	4.76	29.4	35.6	5.58	29.9	
	96	18.1	2.04	26.5	21.6	2.57	26.8	25.1	3.15	27.1	26.9	3.47	27.3	28.6	3.81	27.4	32.1	4.52	27.7	35.6	5.31	28.1	
	120	18.1	2.01	26.2	21.6	2.52	26.4	25.1	3.09	26.7	26.9	3.41	26.8	28.6	3.73	26.9	32.1	4.44	27.2	35.6	5.20	27.4	
30	50	18.1	2.54	33.0	21.6	3.21	33.6	25.1	3.96	34.2	26.9	4.37	34.5	28.6	4.80	34.8	32.1	5.72	35.4	35.6	6.73	36.1	
	60	18.1	2.49	32.5	21.6	3.15	33.0	25.1	3.89	33.5	26.9	4.29	33.7	28.6	4.71	34.0	32.1	5.61	34.5	35.6	6.60	35.0	
	96	18.1	2.38	31.5	21.6	3.00	31.8	25.1	3.70	32.2	26.9	4.08	32.3	28.6	4.48	32.5	32.1	5.34	32.8	35.6	6.27	33.1	
	120	18.1	2.34	31.2	21.6	2.95	31.5	25.1	3.63	31.7	26.9	4.00	31.8	28.6	4.39	32.0	32.1	5.23	32.2	35.6	6.15	32.5	
35	50	18.1	2.97	38.0	21.6	3.78	38.6	25.1	4.68	39.3	26.9	5.18	39.6	28.6	5.69	39.9	32.1	6.81	40.6	35.6	8.03	41.3	
	60	18.1	2.92	37.5	21.6	3.71	38.0	25.1	4.60	38.6	26.9	5.08	38.8	28.6	5.59	39.1	32.1	6.68	39.6	35.6	7.87	40.2	
	96	18.1	2.79	36.6	21.6	3.53	36.9	25.1	4.38	37.2	26.9	4.83	37.4	28.6	5.31	37.5	32.1	6.35	37.9	35.6	7.47	38.2	
	120	18.1	2.74	36.2	21.6	3.47	36.5	25.1	4.29	36.8	26.9	4.74	36.9	28.6	5.21	37.0	32.1	6.22	37.3	35.6	7.33	37.6	
40	50	18.1	3.37	43.1	21.6	4.40	43.7	25.1	5.56	44.4	26.9	6.20	44.7	28.6	6.87								

4 Capacity tables

4 - 2 Cooling capacity tables

RWEYQ18PY1

TC: Total Capacity: kW ; PI: Power Input: kW (compressor + outdoor fan motor) ; OWT: Outlet Water Temperatur: °C

Combination (%)	Inlet Water Temp. (°C)	Water Volume L/min	Indoor air temperature: °CDB																							
			14.0			16.0			18.0			19.0			20.0			22.0			24.0					
			TC kW	PI kW	OWT °C	TC kW	PI kW	OWT °C	TC kW	PI kW	OWT °C	TC kW	PI kW	OWT °C	TC kW	PI kW	OWT °C	TC kW	PI kW	OWT °C	TC kW	PI kW	OWT °C			
130	10	50	43.1	6.10	17.1	51.4	8.12	18.5	56.1	8.59	19.3	57.0	8.63	19.4	57.7	8.66	19.5	59.0	8.72	19.7	60.0	8.75	19.9	60.3	8.76	18.2
		60	43.1	5.99	15.9	51.4	7.97	17.1	56.4	8.50	17.8	57.2	8.54	17.9	58.0	8.58	18.0	59.3	8.63	18.1	60.3	8.66	18.2	61.1	8.43	15.2
		96	43.1	5.69	13.6	51.4	7.56	14.4	57.1	8.27	14.9	57.9	8.31	14.9	58.7	8.35	15.0	60.1	8.40	15.1	61.1	8.43	15.2	61.4	8.35	14.2
		120	43.1	5.58	12.9	51.4	7.41	13.5	57.4	8.19	13.9	58.2	8.22	14.0	59.0	8.26	14.0	60.4	8.31	14.1	61.4	8.35	14.2	61.4	8.35	14.2
	15	50	43.1	6.32	22.1	51.4	8.41	23.6	55.1	8.84	24.2	55.9	8.88	24.3	56.7	8.92	24.4	57.9	8.97	24.6	58.9	9.00	24.7	59.2	8.92	23.1
		60	43.1	6.20	20.9	51.4	8.25	22.1	55.4	8.75	22.7	56.2	8.79	22.8	56.9	8.83	22.9	58.2	8.88	23.0	59.2	8.92	23.1	60.0	8.68	20.1
		96	43.1	5.89	18.7	51.4	7.83	19.4	56.1	8.52	19.8	56.9	8.56	19.9	57.7	8.59	19.9	59.0	8.64	20.0	60.0	8.68	20.1	60.3	8.59	19.1
		120	43.1	5.77	17.9	51.4	7.67	18.5	56.3	8.43	18.9	57.2	8.47	18.9	57.9	8.50	19.0	59.2	8.55	19.0	60.3	8.59	19.1	60.3	8.59	19.1
	20	50	43.1	6.57	27.1	51.4	8.75	28.6	53.9	9.10	29.0	54.6	9.14	29.1	55.3	9.17	29.2	56.5	9.23	29.4	57.3	9.26	29.5	57.6	9.17	28.0
		60	43.1	6.44	25.9	51.4	8.58	27.2	54.1	9.01	27.5	54.9	9.05	27.6	55.6	9.08	27.7	56.7	9.14	27.9	57.6	9.17	28.0	58.4	8.92	25.0
		96	43.1	6.12	23.7	51.4	8.14	24.4	54.8	8.76	24.7	55.6	8.80	24.8	56.3	8.84	24.9	57.5	8.89	25.0	58.4	8.92	25.0	58.4	8.92	25.0
		120	43.1	6.00	22.9	51.4	7.98	23.5	55.0	8.67	23.8	55.8	8.71	23.9	56.5	8.74	23.9	57.8	8.80	24.0	58.7	8.83	24.0	58.7	8.83	24.0
25	50	43.1	7.74	32.3	50.6	10.0	33.7	52.3	10.1	33.9	53.0	10.2	34.1	53.6	10.2	34.1	54.7	10.2	34.3	55.4	10.3	34.4	55.4	10.3	34.4	
	60	43.1	7.59	31.1	50.8	9.91	32.3	52.5	10.0	32.5	53.2	10.1	32.6	53.9	10.1	32.6	55.0	10.1	32.8	55.7	10.2	32.9	56.5	9.91	30.0	
	96	43.1	7.21	28.8	51.4	9.61	29.6	53.2	9.74	29.7	53.9	9.78	29.8	54.6	9.82	29.8	55.7	9.88	29.9	56.5	9.91	30.0	56.5	9.91	30.0	
	120	43.1	7.07	28.0	51.4	9.42	28.6	53.4	9.64	28.8	54.2	9.68	28.8	54.8	9.72	28.9	56.0	9.77	28.9	56.8	9.80	29.0	56.8	9.80	29.0	
30	50	43.1	9.17	37.5	48.8	11.0	38.6	50.4	11.1	38.8	51.0	11.2	38.9	51.6	11.2	39.0	52.5	11.3	39.1	53.1	11.3	39.2	53.1	11.3	39.2	
	60	43.1	8.99	36.2	49.0	10.9	37.2	50.6	11.0	37.4	51.3	11.1	37.4	51.9	11.1	37.5	52.8	11.2	37.6	53.4	11.2	37.7	53.4	11.2	37.7	
	96	43.1	8.54	33.9	49.6	10.6	34.5	51.2	10.7	34.6	51.9	10.8	34.7	52.5	10.8	34.7	53.5	10.9	34.8	54.2	10.9	34.9	54.2	10.9	34.9	
	120	43.1	8.37	33.1	49.8	10.5	33.6	51.5	10.6	33.7	52.2	10.7	33.8	52.8	10.7	33.8	53.8	10.8	33.9	54.5	10.8	33.9	54.5	10.8	33.9	
35	50	43.1	11.0	42.7	46.7	12.1	43.4	48.1	12.2	43.6	48.7	12.2	43.7	49.2	12.2	43.8	50.0	12.3	43.9	50.4	12.3	44.0	50.4	12.3	44.0	
	60	43.1	10.7	41.4	46.9	11.9	42.0	48.3	12.1	42.2	48.9	12.1	42.3	49.5	12.1	42.4	50.2	12.2	42.5	50.7	12.2	42.5	50.7	12.2	42.5	
	96	43.1	10.2	39.0	47.5	11.6	39.4	49.0	11.7	39.5	49.6	11.8	39.6	50.1	11.8	39.6	51.0	11.8	39.7	51.4	11.8	39.7	51.4	11.8	39.7	
	120	43.1	9.99	38.2	47.1	11.5	38.5	49.2	11.6	38.6	49.8	11.6	38.7	50.4	11.7	38.7	51.2	11.7	38.8	51.7	11.7	38.8	51.7	11.7	38.8	
40	50	35.0	8.88	46.3	36.7	8.95	46.5	36.7	8.97	46.5	36.8	8.96	46.6	36.8	8.95	46.6	36.8	8.94	46.5	36.6	8.89	46.4	36.6	8.89	46.4	
	60	36.8	9.59	45.5	38.1	9.69	45.7	38.9	9.73	45.8	39.1	9.73	45.8	39.2	9.71	45.8	39.1	9.65	45.8	38.6	9.53	45.7	38.6	9.53	45.7	
	96	41.9	10.7	43.9	43.5	10.9	44.1	44.7	11.0	44.2	45.2	11.0	44.2	45.6	11.0	44.2	46.1	11.0	44.3	46.2	11.0	44.3	46.2	11.0	44.3	
	120	42.2	10.6	43.2	43.9	10.7	43.3	45.1	10.8	43.3	45.6	10.8	43.4	46.0	10.8	43.4	46.5	10.8	43.4	46.7	10.8	43.4	46.7	10.8	43.4	
45	50	24.5	5.61	49.3	24.2	5.53	49.3	23.2	5.37	49.1	22.5	5.26	49.0	21.5	5.13	48.8	19.1	4.82	48.4	16.0	4.42	47.9	16.0	4.42	47.9	
	60	26.9	6.19	49.0	27.0	6.15	49.0	26.4	6.04	48.9	25.9	5.96	48.8	25.3	5.86	48.7	23.4	5.61	48.5	21.0	5.29	48.1	21.0	5.29	48.1	
	96	33.5	8.13	48.1	34.0	8.18	48.2	34.9	8.18	48.2	34.9	8.15	48.2	34.8	8.12	48.2	34.2	8.00	48.2	33.2	7.83	48.1	33.2	7.83	48.1	
	120	36.7	9.34	47.8	38.0	9.43	47.8	38.7	9.47	47.9	39.0	9.47	47.9	39.1	9.45	47.9	39.0	9.39	47.9	38.4	9.27	47.9	38.4	9.27	47.9	
120	10	50	39.8	5.38	16.5	47.4	7.12	17.8	55.1	8.54	19.1	56.0	8.58	19.3	56.8	8.62	19.4	58.1	8.68	19.6	59.3	8.73	19.7	59.3	8.73	19.7
		60	39.8	5.28	15.4	47.4	6.99	16.5	55.1	8.44	17.6	56.2	8.50	17.7	57.0	8.53	17.8	58.4	8.60	18.0	59.5	8.64	18.1	60.3	8.41	15.1
		96	39.8	5.01	13.3	47.4	6.63	14.0	55.1	8.16	14.7	56.9	8.27	14.9	57.7	8.30	14.9	59.1	8.36	15.0	60.3	8.41	15.1	60.3	8.41	15.1
		120	39.8	4.92	12.7	47.4	6.50	13.2	55.1	8.06	13.8	57.2	8.18	13.9	58.0	8.21	14.0	59.4	8.28	14.0	60.6	8.32	14.1	60.6	8.32	14.1
	15	50	39.8	5.57	21.5	47.4	7.38	22.9	54.2	8.79	24.0	55.0	8.83	24.1	55.7	8.87	24.3	57.1	8.94	24.5	58.1	8.98	24.6	58.1	8.98	24.6
		60	39.8	5.46	20.4	47.4	7.24	21.5	54.4	8.70	22.5	55.2	8.75	22.6	56.0	8.78	22.7	57.3	8.85	22.9	58.4	8.89	23.0	58.4	8.89	23.0
		96	39.8	5.19	18.4	47.4	6.87	19.1	55.1	8.47	19.7	55.9	8.51	19.8	56.7	8.55	19.9	58.1	8.61	20.0	59.2	8.65	20.1	59.2	8.65	20.1
		120	39.8	5.09	17.7	47.4	6.73	18.2	55.1	8.36	18.8	56.2	8.42	18.9	57.0	8.46	18.9	58.3	8.52	19.0	59.5	8.56	19.1	59.5	8.56	19.1
	20	50	39.8	5.79	26.5	47.4	7.67	27.9	52.9	9.04	28.9	53.7	9.09	29.0	54.4	9.13	29.1	55.7	9.19	29.3	56.7	9.24	29.4	56.7	9.24	29.4
		60	39.8	5.68	25.4	47.4	7.52	26.6	53.2	8.95	27.4	54.0	9.00	27.5	54.7	9.04	27.6	55.9	9.10	27.8	57.0	9.14	27.9	57.0	9.14	27.9
		96	39.8	5.39	23.4	47.4	7.14	24.1	53.8	8.71	24.7	54.6	8.75	24.7	55.4	8.79	24.8	56.7	8.85	24.9	57.7	8.90	25.0	57.7	8.90	25.0
		120	39.8	5.29	22.7	47.4	7.00	23.3	54.1	8.62	23.7	54.9	8.66	23.8	55.6	8.70	23.8	56.9	8.76	23.9	58.0	8.81	24.0	58.0	8.81	24.0
25	50	39.8	6.81	31.7	47.4	9.05	33.1	51.4	10.1	33.8	52.1	10.1	33.9	52.8	10.1	34.0	54.0	10.2	34.2	54.9	10.3	34.3	54.9	10.3	34.3	
	60	39.8	6.68	30.5	47.4	8.88	31.7	51.6	9.9																	

4 Capacity tables

4 - 2 Cooling capacity tables

RWEYQ18PY1		TC: Total Capacity: kW ; PI: Power Input: kW (compressor + outdoor fan motor) ; OWT: Outlet Water Temperatur: °C																										
		Combination (%)	Inlet Water Temp. (°C)	Water Volume L/min	Indoor air temperature: °CDB																							
					14.0			16.0			18.0			19.0			20.0			22.0			24.0					
TC	PI	OWT	TC	PI	OWT	TC	PI	OWT	TC	PI	OWT	TC	PI	OWT	TC	PI	OWT	TC	PI	OWT	TC	PI	OWT					
100	10	50	33.1	4.07	15.3	39.5	5.33	16.4	45.9	6.76	17.5	49.1	7.54	18.1	52.3	8.36	18.7	55.9	8.58	19.2	57.2	8.64	19.4	8.64	19.4			
		60	33.1	4.00	14.4	39.5	5.23	15.3	45.9	6.63	16.3	49.1	7.39	16.7	52.3	8.20	17.2	56.2	8.49	17.7	57.5	8.55	17.9	8.55	17.9			
		96	33.1	3.80	12.8	39.5	4.97	13.3	45.9	6.29	13.9	49.1	7.02	14.2	52.3	7.78	14.5	56.9	8.26	14.9	58.2	8.32	15.0	8.32	15.0			
		120	33.1	3.73	12.2	39.5	4.87	12.7	45.9	6.17	13.1	49.1	6.88	13.3	52.3	7.63	13.6	57.1	8.18	13.9	58.5	8.23	14.0	8.23	14.0			
	15	50	33.1	4.21	20.4	39.5	5.51	21.5	45.9	7.00	22.6	49.1	7.81	23.2	52.3	8.66	23.7	54.9	8.83	24.1	56.2	8.89	24.3	8.89	24.3			
		60	33.1	4.14	19.5	39.5	5.41	20.4	45.9	6.86	21.3	49.1	7.66	21.8	52.3	8.49	22.3	55.2	8.74	22.6	56.4	8.81	22.8	8.81	22.8			
		96	33.1	3.94	17.8	39.5	5.14	18.3	45.9	6.52	18.9	49.1	7.27	19.2	52.3	8.06	19.5	55.9	8.51	19.8	57.1	8.57	19.9	8.57	19.9			
		120	33.1	3.86	17.2	39.5	5.04	17.7	45.9	6.39	18.1	49.1	7.12	18.4	52.3	7.90	18.6	56.1	8.42	18.9	57.4	8.48	18.9	8.48	18.9			
	20	50	33.1	4.38	25.4	39.5	5.73	26.5	45.9	7.27	27.6	49.1	8.12	28.2	52.3	9.01	28.8	53.7	9.09	29.0	54.8	9.15	29.2	9.15	29.2			
		60	33.1	4.30	24.5	39.5	5.62	25.4	45.9	7.13	26.3	49.1	7.96	26.8	52.3	8.83	27.3	53.9	8.99	27.5	55.1	9.06	27.7	9.06	27.7			
		96	33.1	4.09	22.8	39.5	5.34	23.4	45.9	6.77	23.9	49.1	7.55	24.2	52.3	8.38	24.5	54.6	8.75	24.7	55.8	8.81	24.8	8.81	24.8			
		120	33.1	4.01	22.2	39.5	5.24	22.7	45.9	6.64	23.1	49.1	7.41	23.4	52.3	8.21	23.6	54.8	8.66	23.8	56.0	8.72	23.9	8.72	23.9			
25	50	33.1	5.14	30.5	39.5	6.75	31.6	45.9	8.58	32.8	49.1	9.58	33.4	50.8	10.0	33.7	52.1	10.1	33.9	53.2	10.2	34.1	10.2	34.1				
	60	33.1	5.05	29.6	39.5	6.62	30.5	45.9	8.42	31.5	49.1	9.40	32.0	51.0	9.92	32.7	52.3	10.0	32.9	53.4	10.1	32.6	10.1	32.6				
	96	33.1	4.80	27.8	39.5	6.29	28.4	45.9	7.99	29.0	49.1	8.92	29.3	51.6	9.65	29.6	53.0	9.73	29.7	54.1	9.80	29.8	9.80	29.8				
	120	33.1	4.71	27.3	39.5	6.17	27.7	45.9	7.83	28.2	49.1	8.74	28.5	51.9	9.55	28.7	53.2	9.63	28.8	54.4	9.69	28.8	9.69	28.8				
30	50	33.1	6.06	35.6	39.5	7.98	36.8	45.9	10.2	38.0	48.3	11.0	38.5	49.0	11.0	38.6	50.2	11.1	38.8	51.2	11.2	38.9	11.2	38.9				
	60	33.1	5.95	34.7	39.5	7.83	35.7	45.9	9.98	36.7	48.5	10.9	37.1	49.2	10.9	37.2	50.4	11.0	37.3	51.5	11.1	37.5	11.1	37.5				
	96	33.1	5.65	32.9	39.5	7.43	33.5	45.9	9.47	34.1	49.1	10.6	34.5	49.8	10.6	34.5	51.1	10.7	34.6	52.1	10.8	34.7	10.8	34.7				
	120	33.1	5.55	32.3	39.5	7.29	32.8	45.9	9.28	33.3	49.1	10.4	33.6	50.0	10.5	33.6	51.3	10.6	33.7	52.4	10.7	33.8	10.7	33.8				
35	50	33.1	7.20	40.8	39.5	9.52	42.0	45.9	12.0	43.2	46.2	12.0	43.3	46.8	12.1	43.4	48.0	12.2	43.6	48.9	12.2	43.8	12.2	43.8				
	60	33.1	7.07	39.8	39.5	9.34	40.8	45.9	11.8	41.9	46.4	11.9	42.0	47.0	11.9	42.0	48.2	12.0	42.2	49.1	12.1	42.3	12.1	42.3				
	96	33.1	6.72	38.0	39.5	8.86	38.6	45.9	11.3	39.3	47.0	11.6	39.4	47.6	11.6	39.4	48.8	11.7	39.5	49.8	11.8	39.6	11.8	39.6				
	120	33.1	6.59	37.4	39.5	8.69	37.9	45.9	11.1	38.4	47.2	11.4	38.5	47.9	11.5	38.5	49.0	11.6	38.6	50.0	11.7	38.7	11.7	38.7				
40	50	33.1	8.72	46.4	34.4	8.83	46.2	35.4	8.91	46.4	35.8	8.94	46.4	36.2	8.96	46.5	36.6	8.97	46.5	36.8	8.95	46.6	8.95	46.6				
	60	33.1	8.53	45.0	36.2	9.54	45.5	37.3	9.63	45.6	37.8	9.67	45.7	38.2	9.69	45.7	38.8	9.72	45.8	39.1	9.72	45.8	9.72	45.8				
	96	33.1	7.42	43.0	39.5	9.87	43.7	42.5	10.8	44.0	43.1	10.8	44.0	43.6	10.9	44.1	44.6	11.0	44.1	45.3	11.0	44.2	11.0	44.2				
	120	33.1	7.18	42.4	39.5	9.54	42.9	42.8	10.6	43.2	43.4	10.7	43.2	44.0	10.7	43.3	45.0	10.8	43.3	45.7	10.8	43.4	10.8	43.4				
45	50	23.9	5.60	49.2	24.4	5.62	49.3	24.5	5.59	49.3	24.4	5.56	49.3	24.1	5.51	49.3	23.4	5.39	49.1	22.2	5.22	48.9	5.22	48.9				
	60	25.9	6.14	48.8	26.6	6.18	48.9	27.0	6.18	49.0	27.0	6.17	49.0	27.0	6.14	49.0	26.5	6.06	48.9	25.7	5.93	48.8	5.93	48.8				
	96	31.8	7.99	48.0	33.0	8.09	48.1	33.9	8.15	48.1	34.2	8.17	48.2	34.5	8.18	48.2	34.8	8.18	48.2	34.9	8.15	48.2	8.15	48.2				
	120	33.1	8.35	47.5	36.1	9.29	47.7	37.2	9.38	47.8	37.7	9.41	47.8	38.1	9.44	47.9	38.7	9.47	47.9	39.0	9.47	47.9	9.47	47.9				
90	10	50	29.8	3.49	14.8	35.6	4.53	15.7	41.3	5.71	16.7	44.2	6.36	17.2	47.1	7.04	17.8	52.8	8.40	18.8	55.9	8.58	19.2	8.58	19.2			
		60	29.8	3.43	14.0	35.6	4.45	14.8	41.3	5.60	15.6	44.2	6.24	16.0	47.1	6.90	16.4	52.8	8.30	17.3	56.2	8.49	17.7	8.49	17.7			
		96	29.8	3.26	12.5	35.6	4.23	13.0	41.3	5.32	13.5	44.2	5.92	13.7	47.1	6.55	14.0	52.8	7.91	14.5	56.9	8.26	14.9	8.26	14.9			
		120	29.8	3.20	12.0	35.6	4.15	12.4	41.3	5.22	12.8	44.2	5.81	13.0	47.1	6.42	13.2	52.8	7.75	13.6	57.1	8.17	13.9	8.17	13.9			
	15	50	29.8	3.61	19.8	35.6	4.69	20.8	41.3	5.91	21.8	44.2	6.58	22.3	47.1	7.28	22.8	52.8	8.70	23.8	54.9	8.83	24.1	8.83	24.1			
		60	29.8	3.55	19.0	35.6	4.60	19.8	41.3	5.80	20.6	44.2	6.46	21.1	47.1	7.15	21.5	52.8	8.59	22.3	55.2	8.74	22.6	8.74	22.6			
		96	29.8	3.38	17.5	35.6	4.38	18.0	41.3	5.51	18.5	44.2	6.13	18.8	47.1	6.78	19.0	52.8	8.19	19.6	55.9	8.50	19.8	8.50	19.8			
		120	29.8	3.31	17.0	35.6	4.29	17.4	41.3	5.40	17.8	44.2	6.01	18.0	47.1	6.65	18.2	52.8	8.03	18.6	56.1	8.41	18.9	8.41	18.9			
	20	50	29.8	3.75	24.8	35.6	4.87	25.8	41.3	6.14	26.8	44.2	6.84	27.3	47.1	7.57	27.8	52.4	9.01	28.8	53.6	9.08	29.0	9.08	29.0			
		60	29.8	3.68	24.0	35.6	4.78	24.8	41.3	6.03	25.7	44.2	6.71	26.1	47.1	7.43	26.5	52.7	8.92	27.4	53.9	8.99	27.5	8.99	27.5			
		96	29.8	3.51	22.5	35.6	4.55	23.0	41.3	5.73	23.5	44.2	6.37	23.8	47.1	7.05	24.0	52.8	8.52	24.6	54.5	8.75	24.7	8.75	24.7			
		120	29.8	3.44	22.0	35.6	4.46	22.4	41.3	5.62	22.8	44.2	6.25	23.0	47.1	6.91	23.2	52.8	8.35	23.7	54.8	8.65	23.8	8.65	23.8			
25	50	29.8	4.40	29.9	35.6	5.73	30.9	41.3	7.24	32.0	44.2	8.07	32.5	47.1	8.94	33.0	50.9	10.0	33.7	52.0	10.1	33.9	10.1	33.9				
	60	29.8	4.32	29.1	35.6	5.62	29.9	41.3	7.10	30.8	44.2	7.91	31.2	47.1	8.77	31.7	51.1	9.93	32.3	52.3	10.0	32.4	10.0	32.4				
	96	29.8	4.11	27.5	35.6	5.34	28.1	41.3	6.74	28.6	44.2	7.51	28.9	47.1	8.32	29.1	51.8	9.66	29.6	52.9	9.73	29.7	9.73	29.7				
	120	29.8	4.03	27.0	35.6	5.24	27.4	41.3	6.61	27.9</																		

4 Capacity tables

4 - 2 Cooling capacity tables

RWEYQ18PY1

TC: Total Capacity: kW ; PI: Power Input: kW (compressor + outdoor fan motor) ; OWT: Outlet Water Temperatur: °C

Combination (%)	Inlet Water Temp. (°C)	Water Volume L/min	Indoor air temperature: °CDB																							
			14.0			16.0			18.0			19.0			21.0			22.0			24.0					
			TC	PI	OWT	TC	PI	OWT	TC	PI	OWT	TC	PI	OWT	TC	PI	OWT	TC	PI	OWT	TC	PI	OWT			
70	10	50	23.2	2.47	13.7	27.7	3.14	14.4	32.1	3.89	15.2	34.4	4.30	15.5	36.6	4.73	15.9	41.1	5.66	16.7	45.5	6.67	17.5			
		60	23.2	2.43	13.1	27.7	3.08	13.7	32.1	3.82	14.3	34.4	4.22	14.6	36.6	4.64	14.9	41.1	5.55	15.6	45.5	6.54	16.2			
		120	23.2	2.32	11.9	27.7	2.94	12.3	32.1	3.64	12.7	34.4	4.02	12.9	36.6	4.42	13.1	41.1	5.27	13.5	45.5	6.21	13.9			
	15	50	23.2	2.27	11.5	27.7	2.88	11.8	32.1	3.57	12.1	34.4	3.94	12.3	36.6	4.33	12.4	41.1	5.17	12.8	45.5	6.09	13.1			
		60	23.2	2.55	18.7	27.7	3.25	19.4	32.1	4.03	20.2	34.4	4.45	20.6	36.6	4.90	20.9	41.1	5.86	21.7	45.5	6.91	22.5			
		120	23.2	2.51	18.1	27.7	3.19	18.7	32.1	3.95	19.3	34.4	4.37	19.6	36.6	4.81	19.9	41.1	5.75	20.6	45.5	6.78	21.3			
	20	50	23.2	2.39	16.9	27.7	3.04	17.3	32.1	3.76	17.7	34.4	4.16	17.9	36.6	4.57	18.1	41.1	5.46	18.5	45.5	6.43	18.9			
		60	23.2	2.35	16.5	27.7	2.98	16.8	32.1	3.69	17.1	34.4	4.08	17.3	36.6	4.48	17.5	41.1	5.36	17.8	45.5	6.31	18.1			
		120	23.2	2.65	23.7	27.7	3.37	24.4	32.1	4.18	25.2	34.4	4.62	25.6	36.6	5.09	26.0	41.1	6.09	26.8	45.5	7.18	27.6			
	25	50	23.2	2.60	23.1	27.7	3.31	23.7	32.1	4.11	24.3	34.4	4.54	24.6	36.6	4.99	25.0	41.1	5.97	25.6	45.5	7.04	26.3			
		60	23.2	2.48	21.9	27.7	3.15	22.3	32.1	3.91	22.7	34.4	4.32	22.9	36.6	4.75	23.1	41.1	5.67	23.5	45.5	6.69	23.9			
		120	23.2	2.44	21.5	27.7	3.09	21.8	32.1	3.83	22.1	34.4	4.23	22.3	36.6	4.66	22.5	41.1	5.56	22.8	45.5	6.56	23.1			
30	50	23.2	3.09	28.8	27.7	3.94	29.5	32.1	4.91	30.3	34.4	5.43	30.7	36.6	5.98	31.1	41.1	7.17	31.9	45.5	8.47	32.7				
	60	23.2	3.04	28.1	27.7	3.87	28.8	32.1	4.82	29.4	34.4	5.33	29.7	36.6	5.87	30.1	41.1	7.04	30.7	45.5	8.31	31.4				
	120	23.2	2.90	26.9	27.7	3.69	27.3	32.1	4.58	27.7	34.4	5.07	27.9	36.6	5.58	28.2	41.1	6.68	28.6	45.5	7.89	29.0				
35	50	23.2	2.84	26.6	27.7	3.62	26.9	32.1	4.50	27.2	34.4	4.97	27.4	36.6	5.47	27.5	41.1	6.55	27.8	45.5	7.73	28.2				
	60	23.2	3.62	33.8	27.7	4.63	34.6	32.1	5.78	35.4	34.4	6.41	35.8	36.6	7.07	36.3	41.1	8.49	37.1	45.5	10.0	38.0				
	120	23.2	3.55	33.2	27.7	4.55	33.8	32.1	5.68	34.5	34.4	6.29	34.9	36.6	6.94	35.2	41.1	8.33	35.9	45.5	9.85	36.6				
40	50	23.2	3.39	32.0	27.7	4.33	32.4	32.1	5.40	32.8	34.4	5.98	33.0	36.6	6.59	33.2	41.1	7.91	33.7	45.5	9.35	34.1				
	60	23.2	3.32	31.6	27.7	4.25	31.9	32.1	5.30	32.2	34.4	5.86	32.4	36.6	6.46	32.6	41.1	7.75	32.9	45.5	9.16	33.3				
	120	23.2	4.26	38.9	27.7	5.48	39.8	32.1	6.87	40.6	34.4	7.62	41.0	36.6	8.42	41.5	41.1	10.1	42.3	45.5	11.9	43.2				
45	50	23.2	4.18	38.3	27.7	5.38	38.9	32.1	6.74	39.6	34.4	7.48	40.0	36.6	8.26	40.4	41.1	9.94	41.1	45.5	11.8	41.8				
	60	23.2	3.98	37.0	27.7	5.12	37.4	32.1	6.41	37.9	34.4	7.11	38.1	36.6	7.84	38.3	41.1	9.43	38.8	45.5	11.2	39.2				
	120	23.2	3.91	36.6	27.7	5.02	37.0	32.1	6.28	37.3	34.4	6.97	37.5	36.6	7.69	37.6	41.1	9.25	38.0	45.5	11.0	38.4				
50	50	23.2	4.94	44.0	27.7	6.51	44.9	32.1	8.31	45.8	34.4	8.75	46.0	36.6	9.86	46.1	41.1	12.5	47.2	45.5	14.8	46.3				
	60	23.2	4.86	43.4	27.7	6.38	44.1	32.1	8.11	44.8	34.4	8.66	45.2	36.6	9.48	45.4	41.1	12.2	46.5	45.5	14.5	45.6				
	120	23.2	4.33	42.1	27.7	5.61	42.5	32.1	7.07	42.9	34.4	7.87	43.2	36.6	8.71	43.4	41.1	10.5	43.9	42.4	10.8	44.0				
55	50	23.2	4.19	41.6	27.7	5.43	42.0	32.1	6.84	42.3	34.4	7.61	42.5	36.6	8.42	42.7	41.1	10.2	43.1	42.7	10.6	43.2				
	60	23.2	5.48	49.0	23.1	5.55	49.1	23.8	5.60	49.2	24.0	5.61	49.2	24.2	5.62	49.3	24.5	5.62	49.3	24.5	5.59	49.3				
	120	23.2	5.58	48.4	25.0	6.07	48.7	25.8	6.13	48.8	26.1	6.15	48.9	26.4	6.17	48.9	26.8	6.19	48.9	27.0	6.18	49.0				
60	50	23.2	4.90	47.1	27.7	6.48	47.5	31.5	7.97	48.0	32.0	8.01	48.0	32.4	8.05	48.0	33.2	8.11	48.1	33.8	8.15	48.1				
	60	23.2	4.76	46.7	27.7	6.24	47.0	32.1	7.94	47.4	34.4	8.87	47.6	35.5	9.23	47.7	36.4	9.31	47.7	37.1	9.37	47.8				
	120	23.2	2.03	13.1	23.7	2.54	13.8	27.5	3.12	14.4	29.5	3.43	14.7	31.4	3.76	15.0	35.2	4.46	15.7	39.0	5.23	16.3				
65	50	19.88	2.00	12.6	23.7	2.50	13.1	27.5	3.06	13.7	29.5	3.37	13.9	31.4	3.69	14.2	35.2	4.38	14.7	39.0	5.13	15.3				
	60	19.88	1.91	11.6	23.7	2.38	11.9	27.5	2.92	12.3	29.5	3.21	12.4	31.4	3.51	12.6	35.2	4.16	12.9	39.0	4.87	13.3				
	120	19.88	1.87	11.3	23.7	2.34	11.6	27.5	2.86	11.8	29.5	3.15	11.9	31.4	3.45	12.1	35.2	4.08	12.3	39.0	4.78	12.6				
70	50	19.88	2.10	18.2	23.7	2.63	18.8	27.5	3.23	19.4	29.5	3.55	19.7	31.4	3.89	20.1	35.2	4.62	20.7	39.0	5.41	21.4				
	60	19.88	2.06	17.6	23.7	2.58	18.1	27.5	3.17	18.7	29.5	3.49	18.9	31.4	3.82	19.2	35.2	4.53	19.7	39.0	5.31	20.3				
	120	19.88	1.97	16.6	23.7	2.46	17.0	27.5	3.02	17.3	29.5	3.32	17.4	31.4	3.63	17.6	35.2	4.31	18.0	39.0	5.04	18.3				
75	50	19.88	1.84	16.3	23.7	2.42	16.6	27.5	2.96	16.8	29.5	3.26	17.0	31.4	3.57	17.1	35.2	4.23	17.4	39.0	4.95	17.6				
	60	19.88	2.18	23.2	23.7	2.73	23.8	27.5	3.35	24.4	29.5	3.68	24.8	31.4	4.04	25.1	35.2	4.79	25.7	39.0	5.62	26.4				
	120	19.88	2.14	22.6	23.7	2.68	23.2	27.5	3.29	23.7	29.5	3.62	24.0	31.4	3.96	24.2	35.2	4.71	24.8	39.0	5.52	25.3				
80	50	19.9	2.04	21.6	23.7	2.56	22.0	27.5	3.13	22.3	29.5	3.44	22.5	31.4	3.77	22.6	35.2	4.48	23.0	39.0	5.24	23.3				
	60	19.9	2.01	21.3	23.7	2.51	21.6	27.5	3.08	21.8	29.5	3.38	22.0	31.4	3.70	22.1	35.2	4.39	22.4	39.0	5.14	22.6				
	120	19.9	2.53	28.2	23.7	3.18	28.9	27.5	3.92	29.5	29.5	4.32	29.8	31.4	4.74	30.2	35.2	5.64	30.9	39.0	6.62	31.5				
85	50	19.9	2.49	27.7	23.7	3.13	28.2	27.5	3.85	28.8	29.5	4.24	29.0	31.4	4.65	29.3	35.2	5.53	29.9	39.0	6.49	30.4				
	60	19.9	2.38	26.7	23.7	2.98	27.0	27.5	3.67	27.3	29.5	4.04	27.5	31.4	4.42	27.7	35.2	5.26	28.0	39.0	6.17	28.4				
	120	19.9	2.33	26.3	23.7	2.93	26.6	27.5	3.60	26.9	29.5	3.96	27.0	31.4	4.34	27.1	35.2	5.16	27.4	39.0	6.05	27.7				
90	50	19.9	2.95	33.3	23.7	3.73	33.9	27.5	4.60	34.6	29.5	5.08	35.0	31.4	5.58	35.3	35.2	6.65	36.0	39.0	7.82	36.7				
	60	19.9	2.90	32.7	23.7	3.66	33.3	27.5	4.52	33.8	29.5	4.99	34.1	31.4	5.48	34.4	35.2	6.53	35.0	39.0	7.68	35.6				
	120	19.9	2.77	31.7	23.7	3.49	32.0	27.5	4.30	32.4	29.5	4.74	32.6	31.4	5.21	32.7	35.2	6.20	33.1	39.0	7.29	33.5				
95	50	19.9	2.72	31.4	23.7	3.43	31.6	27.5	4.22	31.9	29.5	4.65	32.0	31.4	5.11	32.2	35.2	6.08	32.5	39.0	7.15	32.8				
	60	19.9	3.46	38.3	23.7	4.39	39.0	27.5	5.44	39.7	29.5	6.02	40.1	31.4	6.62	40.4	35.2	7.91	41.2	39.0	9.33	41.9				
	120	19.9	3.40	37.8	23.7	4.31	38.3	27.5	5.35	38.9	29.5	5.91	39.2	31.4	6.50	39.5	35.2	7.77	40.1	39.0	9.15	40.8				
100	50	19.9	3.24	36.7	23.7	4.11	37.1	27.5	5.09	37.4	29.5	5.62	37.6	31.4	6.18	37.8	35.2	7.38	38.2	39.0	8.69	38.6				
	60	19.9	3.18	36.4	23.7	4.03	36.7	27.5	4.99	36.9	29.5	5.51	37.1	31.4	6.06	37.2	35.2	7.24	37.5	39.0	8.52	37.8				
	120	19.9	3.92	43.4	23.7	5.11	44.1	27.5	6.47	44.9	29.5</															

4 Capacity tables

4 - 2 Cooling capacity tables

RWEYQ20PY1

TC: Total Capacity: kW ; PI: Power Input: kW (compressor + outdoor fan motor) ; OWT: Outlet Water Temperatur: °C

Combination (%)	Inlet Water Temp. (°C)	Water Volume L/min	Indoor air temperature: °CDB																																																																																								
			14.0			16.0			18.0			19.0			20.0			22.0			24.0																																																																						
			TC	PI	OWT	TC	PI	OWT	TC	PI	OWT	TC	PI	OWT	TC	PI	OWT	TC	PI	OWT	TC	PI	OWT																																																																				
130	10	50	46.9	6.96	17.7	55.9	9.26	19.3	61.1	9.79	20.2	62.0	9.84	20.3	62.8	9.88	20.4	64.2	9.94	20.6	65.3	9.97	20.8	60	46.9	6.82	16.4	55.9	9.08	17.8	61.3	9.69	18.5	62.2	9.74	18.6	63.1	9.78	18.7	64.5	9.84	18.9	65.6	9.87	19.0	96	46.9	6.48	14.0	55.9	8.62	14.8	62.1	9.43	15.3	63.0	9.47	15.4	63.9	9.51	15.5	65.3	9.57	15.6	66.5	9.61	15.7	120	46.9	6.36	13.2	55.9	8.45	13.8	62.4	9.33	14.3	63.3	9.37	14.3	64.2	9.41	14.4	65.6	9.47	14.5	66.8	9.51	14.6		
		15	50	46.9	7.20	22.7	55.9	9.59	24.4	60.0	10.08	25.0	60.8	10.13	25.2	61.6	10.17	25.3	63.0	10.23	25.5	64.0	10.26	25.6	60	46.9	7.07	21.4	55.9	9.40	22.8	60.2	9.98	23.4	61.1	10.02	23.5	61.9	10.06	23.6	63.3	10.13	23.8	64.3	10.16	23.9	96	46.9	6.71	19.0	55.9	8.92	19.8	61.0	9.71	20.3	61.9	9.75	20.3	62.7	9.79	20.4	64.1	9.85	20.5	65.2	9.89	20.6	120	46.9	6.58	18.2	55.9	8.75	18.9	61.3	9.60	19.2	62.2	9.65	19.3	63.0	9.69	19.3	64.4	9.75	19.4	65.5	9.79	19.5	
			20	50	46.9	7.48	27.8	55.9	9.97	29.4	58.6	10.4	29.9	59.4	10.42	30.0	60.2	10.5	30.1	61.4	10.5	30.3	62.4	10.6	30.5	60	46.9	7.34	26.5	55.9	9.78	27.8	58.8	10.3	28.3	59.7	10.3	28.4	60.4	10.4	28.5	61.7	10.4	28.6	62.7	10.5	28.7	96	46.9	6.97	24.0	55.9	9.28	24.9	59.6	9.99	25.2	60.4	10.0	25.3	61.2	10.1	25.3	62.5	10.1	25.4	63.5	10.2	25.5	120	46.9	6.84	23.2	55.9	9.09	23.9	59.8	9.88	24.2	60.7	9.93	24.2	61.5	9.97	24.3	62.8	10.0	24.4	63.9	10.1	24.4
	25			50	46.9	8.82	33.0	55.0	11.4	34.5	56.8	11.5	34.8	57.6	11.6	34.9	58.3	11.6	35.0	59.5	11.7	35.2	60.3	11.7	35.3	60	46.9	8.66	31.6	55.3	11.3	33.0	57.1	11.4	33.2	57.9	11.5	33.3	58.6	11.5	33.4	59.8	11.6	33.5	60.6	11.6	33.6	96	46.9	8.22	29.1	55.9	11.0	30.0	57.8	11.1	30.1	58.6	11.2	30.2	59.4	11.2	30.3	60.6	11.3	30.4	61.5	11.3	30.4	120	46.9	8.06	28.3	55.9	10.7	29.0	58.1	11.0	29.1	58.9	11.0	29.2	59.6	11.1	29.2	60.9	11.1	29.3	61.8	11.2	29.4
		30		50	46.9	10.5	38.2	53.0	12.6	39.4	54.8	12.7	39.7	55.5	12.7	39.8	56.1	12.8	39.9	57.1	12.8	40.0	57.8	12.9	40.1	60	46.9	10.3	36.8	53.3	12.4	37.9	55.0	12.6	38.1	55.8	12.6	38.2	56.4	12.7	38.3	57.4	12.7	38.4	58.1	12.7	38.5	96	46.9	9.73	34.2	53.9	12.1	34.9	55.7	12.2	35.1	56.5	12.3	35.1	57.1	12.3	35.2	58.2	12.4	35.3	59.0	12.4	35.3	120	46.9	9.54	33.4	54.2	12.0	34.0	56.0	12.1	34.1	56.7	12.2	34.1	57.4	12.2	34.2	58.5	12.3	34.2	59.3	12.3	34.3
			35	50	46.9	12.5	43.5	50.7	13.7	44.2	52.3	13.9	44.5	53.0	13.9	44.6	53.5	14.0	44.7	54.4	14.0	44.8	54.8	14.0	44.9	60	46.9	12.2	42.1	51.0	13.6	42.7	52.6	13.7	42.9	53.2	13.8	43.0	53.8	13.8	43.1	54.6	13.9	43.2	55.1	13.9	43.2	96	46.9	11.6	39.4	51.6	13.2	39.8	53.2	13.4	40.0	53.9	13.4	40.0	54.5	13.5	40.1	55.4	13.5	40.1	56.0	13.5	40.2	120	46.9	11.4	38.5	51.8	13.1	38.9	53.5	13.2	39.0	54.2	13.3	39.0	54.8	13.3	39.1	55.7	13.4	39.1	56.3	13.4	39.2
	40			50	46.9	14.5	46.9	39.2	10.2	47.1	39.9	10.2	47.2	40.0	10.2	47.2	40.0	10.2	47.2	39.6	10.1	47.1	38.7	9.91	47.0	60	46.9	14.0	46.1	41.4	11.0	46.3	42.3	11.1	46.4	42.5	11.1	46.4	42.6	11.1	46.4	42.5	11.0	46.4	42.0	10.9	46.3	96	46.9	13.2	44.3	47.3	12.4	44.5	48.6	12.5	44.6	49.2	12.5	44.6	49.6	12.5	44.6	50.1	12.6	44.7	50.2	12.5	44.7	120	46.9	12.0	43.5	47.7	12.2	43.6	49.1	12.3	43.7	49.6	12.3	43.7	50.1	12.3	43.7	50.6	12.4	43.8	50.8	12.3	43.8
		45		50	26.6	6.39	49.7	26.3	6.30	49.7	25.3	6.12	49.5	24.4	6.00	49.4	23.4	5.85	49.2	20.8	5.49	48.8	17.4	5.04	48.2	60	29.2	7.06	49.3	29.3	7.01	49.3	28.8	6.88	49.3	28.2	6.79	49.2	27.5	6.68	49.1	25.5	6.39	48.8	22.8	6.03	48.4	96	36.4	9.26	48.4	37.5	9.33	48.5	37.9	9.32	48.5	37.9	9.30	48.5	37.8	9.25	48.5	37.2	9.12	48.5	36.1	8.93	48.4	120	40.0	10.6	48.0	41.3	10.7	48.1	42.1	10.8	48.2	42.4	10.8	48.2	42.5	10.8	48.2	42.4	10.7	48.2	41.8	10.6	48.1
			120	10	50	43.2	6.13	17.1	51.6	8.12	18.6	59.9	9.73	20.0	60.9	9.78	20.1	61.7	9.83	20.3	63.2	9.90	20.5	64.4	9.95	20.7	60	43.2	6.02	15.9	51.6	7.97	17.1	59.9	9.62	18.3	61.2	9.69	18.5	62.0	9.73	18.6	63.5	9.80	18.8	64.8	9.85	18.9	96	43.2	5.72	13.7	51.6	7.56	14.4	59.9	9.31	15.2	61.9	9.42	15.3	62.8	9.46	15.4	64.3	9.53	15.5	65.6	9.58	15.6	120	43.2	5.61	12.9	51.6	7.41	13.5	59.9	9.19	14.1	62.2	9.32	14.3	63.1	9.36	14.3	64.6	9.43	14.4	65.9	9.48
	15				50	43.2	6.35	22.1	51.6	8.41	23.6	58.9	10.02	24.9	59.8	10.07	25.0	60.6	10.11	25.1	62.1	10.19	25.4	63.2	10.24	25.5	60	43.2	6.23	20.9	51.6	8.25	22.1	59.2	9.92	23.3	60.1	9.97	23.4	60.9	10.01	23.5	62.4	10.09	23.7	63.5	10.14	23.8	96	43.2	5.92	18.7	51.6	7.83	19.4	59.9	9.65	20.2	60.8	9.70	20.3	61.7	9.74	20.3	63.2	9.81	20.4	64.4	9.86	20.5	120	43.2	5.80	17.9	51.6	7.68	18.5	59.9	9.53	19.1	61.1	9.60	19.2	62.0	9.64	19.3	63.5	9.71	19.4	64.7	9.76
		20			50	43.2	6.59	27.1	51.6	8.74	28.6	57.5	10.3	29.7	58.4	10.4	29.9	59.2	10.4	30.0	60.6	10.5	30.2	61.6	10.5	30.3	60	43.2	6.47	25.9	51.6	8.57	27.2	57.8	10.2	28.1	58.7	10.3	28.2	59.5	10.3	28.3	60.8	10.4	28.5	62.0	10.4	28.6	96	43.2	6.15	23.7	51.6	8.14	24.5	58.5	9.93	25.1	59.4	9.98	25.2	60.2	10.0	25.2	61.6	10.1	25.4	62.8	10.1	25.4	120	43.2	6.03	22.9	51.6	7.98	23.6	58.8	9.82	24.1	59.7	9.87	24.2	60.5	9.91	24.2	61.9	9.99	24.3	63.1	10.0
				25	50	43.2	7.77	32.3	51.6	10.3	33.9	55.9	11.5	34.7	56.7	11.5	34.8	57.4	11.6	34.9	58.7	11.6	35.1	59.7	11.7	35.2	60	43.2	7.62	31.1	51.6	10.1	32.4	56.1	11.4	33.1	56.9	11.4	33.2	57.7	11.5	33.3	59.0	11.5	33.4	60.0	11.6	33.5	96	43.2	7.24	28.8	51.6	9.60	29.6	56.8	11.0	30.1	57.7	11.1	30.1	58.4	11.1	30.2	59.8	11.2	30.3	60.8	11.3	30.4	120	43.2	7.10	28.0	51.6	9.41	28.6	57.1	10.9	29.1	57.9	11.0	29.1	58.7	11.0	29.2	60.0	11.1	29.2	61.1	11.2
30	50				43.2	9.18	37.5	51.6	12.2	39.1	53.9	12.6	39.5	54.6	12.7	39.6	55.3	12.7	39.6	56.5	12.8	39.8	57.3	12.9	40.1	60	43.2	9.01	36.2	51.6	12.0	37.6	54.1	12.5	38.0	54.9	12.6	38.1	55.6	12.6	38.1	56.7	12.7	38.3	57.6	12.7	38.4	96	43.2	8.56	33.9	51.6	11.4	34.7	54.8	12.2	35.0	55.6	12.2	35.1	56.3	12.3	35.1	57.5	12.3	35.2	58.4	12.4	35.3	120	43.2	8.39	33.1	51.6	11.2	33.7	55.0	12.0	34.0	55.8	12.1	34.1	56.5	12.1	34.1	57.8	12.2	34.2	58.7	12.3	34.2
	35	50			43.2	11.0	42.8	49.9	13.7	44.1	51.5	13.8	44.4	52.2	13.9	44.5	52.8	13.9	44.6	53.8	14.0	44.7	54.5	14.0	44.8	60	43.2	10.8	41.5	50.1	13.5	42.6	51.7	13.7	42.8	52.4	13.7	42.9	53.1	13.8	43.0	54.1	13.8	43.1	54.8	13.9	43.2	96	43.2	10.2	39.0	50.7	13.2	39.8	52.4	13.3	39.9	53.1	13.4	40.0	53.8	13.4	40.0	54.8	13.5	40.1	55.6	13.5	40.2	120	43.2	10.0	38.2	50.9	13.0	38.8	52.6	13.2	38.9	53.4	13.2	39.0	54.0	13.3	39.0	55.1	13.3	39.1	55.9	13.4	39.1
		40		50	37.5	10.1	46.8	38.7	10.2	47.0	39.6	10.2	47.1	39.8	10.2	47.2	40.0	10.2	47.2	40.0	10.2	47.2	39.5	10.0	47.1	60	39.4	10.9	46.0	40.8	11.0	46.2	41.8	11.1	46.3	42.2	11.1	46.4	42.5	11.1	46.4	42.5	11.1	46.4	42.0	11.0	46.4	96	43.2	11.4																																									

4 Capacity tables

4 - 2 Cooling capacity tables

RWEYQ20PY1

TC: Total Capacity: kW ; PI: Power Input: kW (compressor + outdoor fan motor) ; OWT: Outlet Water Temperatur: °C

Combination (%)	Inlet Water Temp. (°C)	Water Volume L/min	Indoor air temperature: °CDB																							
			14.0			16.0			18.0			19.0			20.0			22.0			24.0					
			TC	PI	OWT	TC	PI	OWT	TC	PI	OWT	TC	PI	OWT	TC	PI	OWT	TC	PI	OWT	TC	PI	OWT			
100	10	50	36.0	4.64	15.8	43.0	6.07	17.0	49.9	7.70	18.3	53.4	8.59	18.9	56.9	9.53	19.5	60.8	9.78	20.1	62.2	9.85	20.3			
		60	36.0	4.56	14.9	43.0	5.96	15.8	49.9	7.56	16.9	53.4	8.43	17.4	56.9	9.35	17.9	61.1	9.68	18.5	62.5	9.75	18.6			
		96	36.0	4.34	13.0	43.0	5.66	13.6	49.9	7.17	14.3	53.4	8.00	14.6	56.9	8.87	14.9	61.9	9.42	15.3	63.3	9.49	15.4			
	15	50	36.0	4.25	12.4	43.0	5.55	12.9	49.9	7.03	13.4	53.4	7.84	13.7	56.9	8.70	13.9	62.2	9.32	14.3	63.6	9.39	14.4			
		60	36.0	4.80	20.9	43.0	6.29	22.1	49.9	7.98	23.3	53.4	8.90	23.9	56.9	9.87	24.6	59.7	10.07	25.0	61.1	10.14	25.2			
		96	36.0	4.72	19.9	43.0	6.17	20.9	49.9	7.82	21.9	53.4	8.73	22.4	56.9	9.68	23.0	60.0	9.97	23.4	61.4	10.04	23.5			
	20	50	36.0	4.49	18.0	43.0	5.86	18.6	49.9	7.43	19.3	53.4	8.28	19.6	56.9	9.19	19.9	60.8	9.70	20.3	62.1	9.76	20.4			
		60	36.0	4.40	17.4	43.0	5.75	17.9	49.9	7.28	18.4	53.4	8.12	18.7	56.9	9.00	18.9	61.0	9.59	19.2	62.4	9.66	19.3			
		96	36.0	4.99	25.9	43.0	6.53	27.1	49.9	8.29	28.3	53.4	9.25	29.0	56.9	10.3	29.6	58.4	10.4	29.8	59.6	10.4	30.0			
	25	50	36.0	4.90	24.9	43.0	6.41	25.9	49.9	8.13	26.9	53.4	9.07	27.5	56.9	10.1	28.0	58.6	10.3	28.2	59.7	10.3	28.4			
		60	36.0	4.66	23.0	43.0	6.09	23.7	49.9	7.72	24.3	53.4	8.61	24.6	56.9	9.55	25.0	59.4	9.97	25.2	60.9	10.0	25.3			
		96	36.0	4.57	22.4	43.0	5.97	22.9	49.9	7.57	23.4	53.4	8.44	23.7	56.9	9.36	24.0	59.6	9.87	24.2	61.0	9.94	24.2			
30	50	36.0	5.86	31.0	43.0	7.69	32.3	49.9	9.78	33.6	53.4	10.9	34.2	55.2	11.4	34.6	56.6	11.5	34.8	57.8	11.6	35.0				
	60	36.0	5.75	30.0	43.0	7.55	31.0	49.9	9.59	32.1	53.4	10.7	32.7	55.5	11.3	33.0	56.9	11.4	33.2	58.1	11.5	33.3				
	96	36.0	5.47	28.1	43.0	7.17	28.7	49.9	9.11	29.4	53.4	10.2	29.7	56.2	11.0	30.0	57.6	11.1	30.1	58.9	11.2	30.2				
35	50	36.0	5.37	27.5	43.0	7.03	28.0	49.9	8.93	28.5	53.4	9.96	28.8	56.4	10.9	29.1	57.9	11.0	29.1	59.1	11.0	29.2				
	60	36.0	6.91	36.2	43.0	9.10	37.5	49.9	11.6	38.8	52.5	12.5	39.3	53.2	12.6	39.4	54.6	12.7	39.6	55.7	12.8	39.8				
	96	36.0	6.78	35.1	43.0	8.92	36.2	49.9	11.4	37.3	52.8	12.4	37.8	53.5	12.5	37.9	54.8	12.6	38.0	56.0	12.6	38.2				
40	50	36.0	6.44	33.2	43.0	8.47	33.8	49.9	10.8	34.5	53.4	12.1	34.9	54.2	12.1	34.9	55.5	12.2	35.1	56.7	12.3	35.1				
	60	36.0	6.32	32.5	43.0	8.31	33.1	49.9	10.6	33.6	53.4	11.8	33.9	54.4	12.0	34.0	55.8	12.1	34.1	56.9	12.2	34.1				
	96	36.0	8.21	41.3	43.0	10.9	42.7	49.9	13.6	44.0	50.2	13.7	44.2	50.9	13.8	44.3	52.1	13.9	44.5	53.1	13.9	44.6				
45	50	36.0	8.05	40.3	43.0	10.6	41.4	49.9	13.5	42.6	50.5	13.6	42.6	51.2	13.6	42.7	52.4	13.7	42.9	53.4	13.8	43.0				
	60	36.0	7.65	38.3	43.0	10.1	39.0	49.9	12.9	39.7	51.1	13.2	39.8	51.8	13.2	39.9	53.1	13.4	40.0	54.1	13.4	40.0				
	96	36.0	7.51	37.6	43.0	9.91	38.2	49.9	12.7	38.7	51.3	13.0	38.8	52.0	13.1	38.9	53.3	13.2	39.0	54.4	13.3	39.0				
50	50	36.0	9.94	46.6	37.4	10.1	46.8	38.5	10.2	47.0	39.0	10.2	47.0	39.3	10.2	47.1	39.8	10.2	47.2	40.0	10.2	47.2				
	60	36.0	9.73	45.5	39.3	10.9	46.0	40.6	11.0	46.2	41.1	11.0	46.2	41.5	11.0	46.3	42.2	11.1	46.4	42.6	11.1	46.4				
	96	36.0	8.46	43.3	43.0	11.2	44.0	42.6	12.3	44.4	46.9	12.4	44.4	47.5	12.4	44.5	48.5	12.5	44.6	49.3	12.5	44.6				
55	50	36.0	8.19	42.6	43.0	10.9	43.2	46.6	12.1	43.5	47.3	12.2	43.5	47.9	12.2	43.6	48.9	12.3	43.7	49.8	12.3	43.7				
	60	36.0	6.39	49.6	26.5	6.41	49.7	26.6	6.37	49.7	26.5	6.33	49.7	26.3	6.29	49.7	25.4	6.15	49.5	24.2	5.95	49.3				
	96	36.0	6.28	49.2	29.0	7.05	49.3	29.4	7.03	49.3	29.4	7.03	49.4	29.3	7.00	49.3	28.9	6.90	49.3	28.0	6.76	49.2				
60	50	36.0	9.11	48.3	35.9	9.22	48.4	36.8	9.29	48.4	37.2	9.31	48.5	37.5	9.33	48.5	37.9	9.33	48.5	37.9	9.28	48.5				
	60	36.0	9.52	47.7	39.2	10.6	48.0	40.5	10.7	48.1	41.0	10.7	48.1	41.4	10.8	48.1	42.1	10.8	48.2	42.4	10.8	48.2				
	96	36.0	3.98	15.2	38.7	5.16	16.3	44.9	6.51	17.4	48.1	7.24	17.9	51.2	8.02	18.5	57.4	9.57	19.6	60.8	9.78	20.1				
65	50	36.0	3.91	14.3	38.7	5.07	15.2	44.9	6.39	16.1	48.1	7.11	16.6	51.2	7.87	17.1	57.4	9.46	18.0	61.1	9.68	18.5				
	60	36.0	3.72	12.7	38.7	4.82	13.2	44.9	6.07	13.8	48.1	6.75	14.1	51.2	7.47	14.4	57.4	9.02	15.0	61.8	9.42	15.3				
	96	36.0	3.65	12.2	38.7	4.73	12.6	44.9	5.95	13.0	48.1	6.62	13.3	51.2	7.32	13.5	57.4	8.84	14.0	62.1	9.32	14.3				
70	50	36.0	4.12	20.2	38.7	5.34	21.3	44.9	6.74	22.4	48.1	7.50	23.0	51.2	8.30	23.5	57.4	9.92	24.7	59.7	10.07	25.0				
	60	36.0	4.04	19.4	38.7	5.25	20.2	44.9	6.61	21.2	48.1	7.36	21.6	51.2	8.15	22.1	57.4	9.80	23.0	60.0	9.97	23.4				
	96	36.0	3.85	17.7	38.7	4.99	18.3	44.9	6.28	18.8	48.1	6.99	19.1	51.2	7.73	19.4	57.4	9.34	20.0	60.7	9.69	20.3				
75	50	36.0	3.78	17.2	38.7	4.89	17.6	44.9	6.16	18.1	48.1	6.85	18.3	51.2	7.58	18.5	57.4	9.15	19.0	61.0	9.59	19.2				
	60	36.0	4.27	25.3	38.7	5.55	26.3	44.9	7.00	27.4	48.1	7.80	28.0	51.2	8.63	28.6	57.0	10.3	29.6	58.3	10.4	29.8				
	96	36.0	4.20	24.4	38.7	5.45	25.3	44.9	6.87	26.2	48.1	7.65	26.7	51.2	8.47	27.1	57.3	10.2	28.1	58.6	10.3	28.2				
80	50	36.0	4.00	22.7	38.7	5.18	23.3	44.9	6.53	23.8	48.1	7.26	24.1	51.2	8.04	24.4	57.4	9.71	25.0	59.3	9.97	25.2				
	60	36.0	3.92	22.2	38.7	5.08	22.6	44.9	6.40	23.1	48.1	7.12	23.3	51.2	7.88	23.5	57.4	9.52	24.0	59.6	9.67	24.1				
	96	36.0	5.01	30.4	38.7	6.53	31.5	44.9	8.25	32.6	48.1	9.19	33.2	51.2	10.2	33.8	55.3	11.4	34.6	56.6	11.5	34.8				
85	50	36.0	4.92	29.5	38.7	6.41	30.4	44.9	8.10	31.3	48.1	9.02	31.8	51.2	9.99	32.3	55.6	11.3	33.0	56.9	11.4	33.2				
	60	36.0	4.68	27.8	38.7	6.09	28.3	44.9	7.69	28.9	48.1	8.56	29.2	51.2	9.48	29.5	56.3	11.0	30.0	57.6	11.1	30.1				
	96	36.0	4.60	27.2	38.7	5.97	27.7	44.9	7.54	28.1	48.1	8.39	28.4	51.2	9.30	28.6	56.5	10.9	29.0	57.8	11.0	29.1				
90	50	36.0	5.89	35.5	38.7	7.70	36.7	44.9	9.77	37.8	48.1	10.9	38.5	51.2	12.1	39.1	53.4	12.6	39.5	54.5	12.7	39.6				
	60	36.0	5.79	34.6	38.7	7.56	35.5	44.9	9.58	36.5	48.1	10.7	37.0	51.2	11.9	37.5	53.6	12.5	37.9	54.8	12.6	38.0				
	96	36.0	5.51	32.8	38.7	7.18	33.4	44.9	9.10	34.0	48.1	10.1	34.3	51.2	11.2	34.7	54.3	12.1	35.0	55.5	12.2	35.1				
95	50	36.0	5.40	32.3	38.7	7.05	32.7	44.9	8.92	33.2	48.1	9.94	33.5	51.2	11.0	33.7	54.5	12.0	34.0	55.8	12.1	34.1				
	60	36.0	6.99	40.7	38.7	9.17	41.9	44.9	11.7	43.1	48.1	13.0	43.8	49.8	13.7	44.1	51.0	13.8	44.3	52.1	13.9	44.5				
	96	36.0	6.86	39.7	38.7	9.00	40.7	44.9	11.4	41.7	48.1	12.8	42.3	50.0	13.5	42.6	51.3	13.6	42.8	52.4	13.7	42.9				
100	50	36.0	6.52	37.9	38.7	8.55	38.5	44.9	10.9	39.2	48.1	12.1	39.5	50.6	13.1	39.8	51.9	13.3	39.9	53.0	13.3	40.0				
	60	36.0	6.40	37.3	38.7	8.38	37.8	44.9	10.6	38.3	48.1	11.9	38.6	50.8	13.0	38.8	52.2	13.1	38.9	53.3	13.2	39.0				
	96	36.0	8.38	45.9	36.6	10.00	46.7	37.7	10.1	46.9	38.2	10.1	46.9													

4 Capacity tables

4 - 2 Cooling capacity tables

RWEYQ20PY1

TC: Total Capacity: kW ; PI: Power Input: kW (compressor + outdoor fan motor) ; OWT: Outlet Water Temperatur: °C

Combination (%)	Inlet Water Temp. (°C)	Water Volume L/min	Indoor air temperature: °CDB																																																																																								
			14.0			16.0			18.0			19.0			21.0			22.0			24.0																																																																						
			TC	PI	OWT	TC	PI	OWT	TC	PI	OWT	TC	PI	OWT	TC	PI	OWT	TC	PI	OWT	TC	PI	OWT																																																																				
70	10	50	25.2	2.82	14.0	30.1	3.58	14.8	35.0	4.44	15.6	37.4	4.90	16.1	39.8	5.39	16.5	44.7	6.45	17.3	49.5	7.60	18.2	60	25.2	2.77	13.3	30.1	3.51	14.0	35.0	4.36	14.7	37.4	4.81	15.0	39.8	5.29	15.4	44.7	6.33	16.1	49.5	7.46	16.8	96	25.2	2.64	12.1	30.1	3.35	12.5	35.0	4.14	12.9	37.4	4.58	13.1	39.8	5.03	13.3	44.7	6.01	13.8	49.5	7.08	14.2	120	25.2	2.59	11.7	30.1	3.29	12.0	35.0	4.07	12.3	37.4	4.49	12.5	39.8	4.94	12.7	44.7	5.90	13.0	49.5	6.94	13.4		
		15	50	25.2	2.91	19.0	30.1	3.70	19.8	35.0	4.59	20.7	37.4	5.07	21.1	39.8	5.58	21.5	44.7	6.68	22.4	49.5	7.87	23.2	60	25.2	2.86	18.4	30.1	3.63	19.0	35.0	4.51	19.7	37.4	4.98	20.1	39.8	5.48	20.4	44.7	6.55	21.1	49.5	7.72	21.8	96	25.2	2.73	17.1	30.1	3.46	17.5	35.0	4.29	17.9	37.4	4.74	18.1	39.8	5.21	18.4	44.7	6.22	18.8	49.5	7.33	19.2	120	25.2	2.68	16.7	30.1	3.40	17.0	35.0	4.21	17.3	37.4	4.65	17.5	39.8	5.11	17.7	44.7	6.10	18.0	49.5	7.19	18.4	
			20	50	25.2	3.02	24.0	30.1	3.84	24.9	35.0	4.77	25.7	37.4	5.27	26.1	39.8	5.80	26.5	44.7	6.94	27.4	49.5	8.18	28.3	60	25.2	2.97	23.4	30.1	3.77	24.0	35.0	4.68	24.7	37.4	5.17	25.1	39.8	5.69	25.4	44.7	6.81	26.1	49.5	8.03	26.9	96	25.2	2.83	22.1	30.1	3.59	22.5	35.0	4.45	22.9	37.4	4.92	23.2	39.8	5.41	23.4	44.7	6.47	23.8	49.5	7.62	24.3	120	25.2	2.78	21.7	30.1	3.53	22.0	35.0	4.37	22.3	37.4	4.83	22.5	39.8	5.31	22.7	44.7	6.34	23.0	49.5	7.47	23.4
	25			50	25.2	3.52	29.1	30.1	4.50	30.0	35.0	5.59	30.8	37.4	6.19	31.2	39.8	6.82	31.7	44.7	8.17	32.6	49.5	9.66	33.5	60	25.2	3.46	28.4	30.1	4.42	29.1	35.0	5.49	29.8	37.4	6.08	30.2	39.8	6.69	30.6	44.7	8.02	31.3	49.5	9.47	32.0	96	25.2	3.30	27.1	30.1	4.20	27.6	35.0	5.22	28.0	37.4	5.78	28.2	39.8	6.36	28.4	44.7	7.62	28.9	49.5	8.99	29.4	120	25.2	3.24	26.7	30.1	4.13	27.0	35.0	5.13	27.4	37.4	5.67	27.6	39.8	6.24	27.8	44.7	7.47	28.1	49.5	8.81	28.5
		30		50	25.2	4.12	34.2	30.1	5.28	35.1	35.0	6.59	36.0	37.4	7.30	36.4	39.8	8.06	36.9	44.7	9.67	37.8	49.5	11.4	38.7	60	25.2	4.05	33.5	30.1	5.18	34.2	35.0	6.47	34.9	37.4	7.17	35.3	39.8	7.91	35.7	44.7	9.49	36.5	49.5	11.2	37.3	96	25.2	3.86	32.2	30.1	4.94	32.6	35.0	6.15	33.1	37.4	6.81	33.3	39.8	7.51	33.5	44.7	9.01	34.0	49.5	10.7	34.5	120	25.2	3.79	31.7	30.1	4.84	32.1	35.0	6.04	32.4	37.4	6.68	32.6	39.8	7.37	32.8	44.7	8.84	33.2	49.5	10.4	33.6
			35	50	25.2	4.85	39.3	30.1	6.25	40.2	35.0	7.83	41.1	37.4	8.89	41.6	39.8	9.59	42.1	44.7	11.6	43.1	49.5	13.6	44.0	60	25.2	4.77	38.6	30.1	6.13	39.3	35.0	7.68	40.1	37.4	8.53	40.5	39.8	9.41	40.9	44.7	11.3	41.7	49.5	13.4	42.5	96	25.2	4.54	37.2	30.1	5.84	37.7	35.0	7.30	38.2	37.4	8.10	38.4	39.8	8.94	38.6	44.7	10.8	39.1	49.5	12.7	39.6	120	25.2	4.46	36.8	30.1	5.73	37.1	35.0	7.16	37.5	37.4	7.94	37.7	39.8	8.77	37.9	44.7	10.5	38.3	49.5	12.5	38.7
	40			50	25.2	5.63	44.4	30.1	7.43	45.4	35.0	9.48	46.4	37.4	10.63	46.6	39.8	10.0	46.7	44.7	13.0	47.7	49.5	15.2	47.7	60	25.2	5.54	43.7	30.1	7.27	44.5	35.0	9.25	45.3	37.4	10.3	45.7	39.8	10.8	45.9	44.7	12.9	46.0	49.5	15.0	46.1	96	25.2	5.29	42.3	30.1	6.80	42.7	35.0	8.06	43.2	37.4	8.97	43.5	39.8	9.92	43.7	44.7	12.0	44.2	49.5	14.3	44.4	120	25.2	5.22	41.8	30.1	6.19	42.2	35.0	7.80	42.6	37.4	8.67	42.8	39.8	9.60	43.0	44.7	11.6	43.4	49.5	14.1	43.5
		45		50	24.2	6.25	49.4	25.2	6.33	49.5	25.9	6.38	49.6	26.1	6.39	49.7	26.3	6.40	49.7	26.6	6.40	49.7	26.6	6.40	49.7	60	25.2	6.36	48.8	27.2	6.92	49.1	28.0	6.99	49.2	28.4	7.02	49.2	28.7	7.03	49.3	29.1	7.05	49.3	29.3	7.05	49.3	96	25.2	5.58	47.3	30.1	7.38	47.8	34.3	9.09	48.2	34.8	9.13	48.3	35.3	9.17	48.3	36.1	9.24	48.4	36.8	9.29	48.4	120	25.2	5.42	46.8	30.1	7.12	47.2	35.0	9.05	47.6	37.4	10.1	47.8	38.6	10.5	47.9	39.6	10.6	48.0	40.4	10.7	48.1
			60	10	50	21.62	2.31	13.4	25.8	2.90	14.1	30.0	3.55	14.8	32.0	3.91	15.2	34.1	4.28	15.5	38.3	5.08	16.2	42.5	5.96	16.9	60	21.62	2.28	12.9	25.8	2.85	13.4	30.0	3.49	14.0	32.0	3.84	14.3	34.1	4.21	14.6	38.3	4.99	15.2	42.5	5.85	15.8	96	21.62	2.17	11.8	25.8	2.72	12.1	30.0	3.33	12.5	32.0	3.66	12.7	34.1	4.00	12.8	38.3	4.75	13.2	42.5	5.55	13.6	120	21.62	2.14	11.4	25.8	2.67	11.7	30.0	3.27	12.0	32.0	3.59	12.1	34.1	3.93	12.3	38.3	4.66	12.6	42.5	5.45
	15				50	21.62	2.39	18.4	25.8	3.00	19.1	30.0	3.68	19.8	32.0	4.05	20.2	34.1	4.43	20.5	38.3	5.26	21.2	42.5	6.17	22.0	60	21.62	2.35	17.9	25.8	2.95	18.4	30.0	3.61	19.0	32.0	3.97	19.3	34.1	4.35	19.6	38.3	5.16	20.2	42.5	6.05	20.8	96	21.62	2.25	16.8	25.8	2.81	17.1	30.0	3.44	17.5	32.0	3.78	17.7	34.1	4.14	17.9	38.3	4.91	18.2	42.5	5.75	18.6	120	21.62	2.21	16.4	25.8	2.76	16.7	30.0	3.38	17.0	32.0	3.71	17.1	34.1	4.06	17.3	38.3	4.82	17.6	42.5	5.64
		20			50	21.6	2.48	23.5	25.8	3.11	24.1	30.0	3.82	24.8	32.0	4.20	25.2	34.1	4.60	25.6	38.3	5.47	26.3	42.5	6.41	27.0	60	21.6	2.44	22.9	25.8	3.06	23.4	30.0	3.75	24.0	32.0	4.12	24.3	34.1	4.52	24.6	38.3	5.36	25.2	42.5	6.29	23.6	96	21.6	2.33	21.8	25.8	2.91	22.1	30.0	3.57	22.5	32.0	3.93	22.7	34.1	4.30	22.9	38.3	5.10	23.2	42.5	5.97	23.8	120	21.6	2.29	21.4	25.8	2.86	21.7	30.0	3.51	22.0	32.0	3.85	22.1	34.1	4.22	22.3	38.3	5.00	22.6	42.5	5.86
				25	50	21.6	2.88	28.5	25.8	3.63	29.2	30.0	4.47	29.9	32.0	4.92	30.3	34.1	5.40	30.7	38.3	6.42	31.4	42.5	7.54	32.2	60	21.6	2.84	27.9	25.8	3.57	28.5	30.0	4.39	29.1	32.0	4.83	29.4	34.1	5.30	29.7	38.3	6.30	30.3	42.5	7.40	31.0	96	21.6	2.71	26.8	25.8	3.40	27.2	30.0	4.18	27.5	32.0	4.60	27.7	34.1	5.04	27.9	38.3	5.99	28.3	42.5	7.03	28.7	120	21.6	2.66	26.5	25.8	3.34	26.7	30.0	4.10	27.0	32.0	4.51	27.2	34.1	4.95	27.3	38.3	5.88	27.6	42.5	6.90
30	50				21.6	3.36	33.6	25.8	4.25	34.3	30.0	5.25	35.0	32.0	5.79	35.4	34.1	6.36	35.8	38.3	7.58	36.6	42.5	8.92	37.4	60	21.6	3.30	33.0	25.8	4.17	33.6	30.0	5.15	34.2	32.0	5.68	34.5	34.1	6.24	34.8	38.3	7.44	35.5	42.5	8.75	36.1	96	21.6	3.15	31.9	25.8	3.98	32.2	30.0	4.90	32.6	32.0	5.41	32.8	34.1	5.94	33.0	38.3	7.07	33.4	42.5	8.31	33.8	120	21.6	3.10	31.5	25.8	3.90	31.8	30.0	4.81	32.1	32.0	5.31	32.2	34.1	5.82	32.4	38.3	6.94	32.7	42.5	8.15	33.0
	35	50			21.6	3.94	38.7	25.8	5.00	39.4	30.0	6.21	40.2	32.0	6.86	40.6	34.1	7.55	41.0	38.3	9.02	41.8	42.5	10.6	42.6	60	21.6	3.87	38.0	25.8	4.92	38.7	30.0	6.09	39.3	32.0	6.73	39.6	34.1	7.41	40.0	38.3	8.85	40.6	42.5	10.4	41.3	96	21.6	3.69	36.9	25.8	4.68	37.3	30.0	5.80	37.7	32.0	6.40	37.9	34.1	7.04	38.1	38.3	8.41	38.5	42.5	9.91	38.9	120	21.6	3.63	36.5	25.8	4.60	36.8	30.0	5.69	37.1	32.0	6.28	37.3	34.1	6.91	37.5	38.3	8.25	37.8	42.5	9.71	38.1
		40		50	21.6	4.47	43.7	25.8	5.83	44.5	30.0	7.37	45.4	32.0	8.22	45.8	34.1	9.11	46.2	38.3	9.99	46.7	42.5	11.7	46.8	60	21.6	4.42	43.1	25.8	5.73	43.8	30.0	7.22	44.4	32.0	8.04	44.8	34.1	8.90	45.1	38.3	10.8	45.9	42.5	11.9	46.0	96	21.6	3.98	41.9																																								

4 Capacity tables

4 - 2 Cooling capacity tables

RWEYQ24PY1

TC: Total Capacity: kW ; PI: Power Input: kW (compressor + outdoor fan motor) ; OWT: Outlet Water Temperatur: °C

Combination (%)	Inlet Water Temp. (°C)	Water Volume L/min	Indoor air temperature: °CDB																							
			14.0			16.0			18.0			19.0			20.0			22.0			24.0					
			TC kW	PI kW	OWT °C	TC kW	PI kW	OWT °C	TC kW	PI kW	OWT °C	TC kW	PI kW	OWT °C	TC kW	PI kW	OWT °C	TC kW	PI kW	OWT °C	TC kW	PI kW	OWT °C			
130	10	50	59.0	7.87	16.4	70.3	10.48	17.7	76.8	11.08	18.4	78.0	11.13	18.5	79.0	11.18	18.6	80.8	11.25	18.8	82.2	11.29	18.9			
		60	59.0	7.72	15.3	70.3	10.28	16.4	72.0	10.97	17.0	73.8	11.02	17.1	74.4	11.07	17.2	81.2	11.14	17.4	82.6	11.18	17.5			
		96	59.0	7.34	13.3	70.3	9.75	14.0	78.2	10.67	14.4	79.3	10.72	14.5	80.4	10.77	14.5	82.2	10.84	14.6	83.7	10.88	14.7			
		120	59.0	7.19	12.6	70.3	9.56	13.2	78.5	10.56	13.5	79.7	10.61	13.6	80.7	10.65	13.6	82.6	10.72	13.7	84.1	10.77	13.8			
	15	50	59.0	8.15	21.4	70.3	10.85	22.8	75.5	11.4	23.3	76.6	11.5	23.4	77.6	11.5	23.5	79.3	11.6	23.7	80.6	11.6	23.8			
		60	59.0	8.00	20.3	70.3	10.64	21.4	75.8	11.3	21.9	76.9	11.3	22.0	77.9	11.4	22.1	79.6	11.5	22.3	81.0	11.5	22.4			
		96	59.0	7.59	18.3	70.3	10.10	19.0	76.8	11.0	19.4	77.9	11.0	19.4	78.9	11.1	19.5	80.7	11.2	19.6	82.1	11.2	19.6			
		120	59.0	7.45	17.6	70.3	9.90	18.2	77.1	10.87	18.5	78.2	10.92	18.6	79.3	11.0	18.6	81.1	11.0	18.7	82.5	11.1	18.7			
	20	50	59.0	8.47	26.4	70.3	11.3	27.8	73.7	11.7	28.2	74.8	11.79	28.3	75.7	11.8	28.4	77.3	11.9	28.5	78.5	11.9	28.6			
		60	59.0	8.31	25.4	70.3	11.1	26.5	74.0	11.6	26.8	75.1	11.7	26.9	76.1	11.7	27.0	77.7	11.8	27.1	78.9	11.8	27.2			
		96	59.0	7.89	23.3	70.3	10.5	24.0	75.0	11.3	24.3	76.0	11.4	24.4	77.0	11.4	24.4	78.7	11.5	24.5	80.0	11.5	24.6			
		120	59.0	7.74	22.7	70.3	10.3	23.2	75.3	11.2	23.4	76.4	11.2	23.5	77.4	11.3	23.5	79.1	11.4	23.6	80.4	11.4	23.7			
25	50	59.0	9.99	31.6	69.2	12.9	32.8	71.5	13.0	33.1	72.5	13.1	33.2	73.4	13.2	33.3	74.8	13.2	33.3	75.9	13.3	33.5				
	60	59.0	9.80	30.5	69.5	12.8	31.6	71.9	12.9	31.8	72.9	13.0	31.8	73.8	13.0	31.9	75.2	13.1	32.0	76.3	13.1	32.1				
	96	59.0	9.30	28.4	70.3	12.4	29.1	72.8	12.6	29.2	73.8	12.6	29.3	74.7	12.7	29.3	76.2	12.7	29.4	77.3	12.8	29.5				
	120	59.0	9.12	27.7	70.3	12.2	28.3	73.1	12.4	28.4	74.1	12.5	28.4	75.1	12.5	28.5	76.6	12.6	28.6	77.8	12.7	28.6				
30	50	59.0	11.8	36.8	68.8	14.2	37.7	68.9	14.4	38.0	69.8	14.4	38.1	70.6	14.5	38.1	71.9	14.5	38.3	72.7	14.6	38.3				
	60	59.0	11.6	35.6	67.1	14.1	36.5	69.2	14.2	36.6	70.2	14.3	36.7	71.0	14.3	36.8	72.3	14.4	36.9	73.1	14.4	37.0				
	96	59.0	11.0	33.5	67.9	13.7	34.1	70.1	13.8	34.2	71.1	13.9	34.2	71.9	13.9	34.3	73.3	14.0	34.3	74.2	14.0	34.4				
	120	59.0	10.8	32.8	68.2	13.6	33.3	70.4	13.7	33.4	71.4	13.8	33.4	72.3	13.8	33.4	73.6	13.9	33.5	74.6	13.9	33.5				
35	50	59.0	14.1	42.0	63.9	15.6	42.6	65.8	15.7	42.8	67.4	15.8	42.9	67.4	15.8	42.9	68.4	15.8	43.1	69.0	15.8	43.1				
	60	59.0	13.9	40.8	64.2	15.4	41.3	66.2	15.5	41.5	67.0	15.6	41.6	67.7	15.6	41.6	68.8	15.7	41.7	69.4	15.7	41.8				
	96	59.0	13.2	38.6	64.9	15.0	39.0	67.0	15.1	39.1	67.9	15.2	39.2	68.6	15.2	39.2	69.7	15.3	39.2	70.4	15.3	39.3				
	120	59.0	12.9	37.9	65.2	14.8	38.2	67.3	15.0	38.3	68.2	15.0	38.3	68.9	15.1	38.3	70.1	15.1	38.4	70.8	15.1	38.4				
40	50	47.9	11.5	45.7	49.4	11.6	45.8	50.2	11.6	45.9	50.3	11.6	45.9	50.4	11.6	45.9	50.4	11.6	45.9	50.4	11.6	45.9				
	60	50.4	12.4	45.0	52.1	12.5	45.1	53.2	12.5	45.2	53.5	12.5	45.3	53.7	12.5	45.3	53.5	12.4	45.3	52.8	12.3	45.2				
	96	57.3	13.9	43.5	59.5	14.0	43.7	61.2	14.1	43.8	61.9	14.2	43.8	62.4	14.2	43.8	63.1	14.2	43.8	63.2	14.2	43.9				
	120	57.8	13.6	42.8	60.0	13.8	42.9	61.8	13.9	43.0	62.4	13.9	43.0	63.0	14.0	43.1	63.7	14.0	43.1	63.9	13.9	43.1				
45	50	33.5	7.24	48.9	33.2	7.13	48.9	31.8	6.93	48.7	30.8	6.79	48.6	29.5	6.62	48.5	26.2	6.21	48.1	21.9	5.71	47.6				
	60	36.8	7.99	48.6	36.9	7.93	48.6	36.2	7.79	48.5	35.5	7.69	48.4	34.6	7.56	48.4	32.1	7.24	48.1	28.7	6.82	47.8				
	96	45.9	10.5	47.8	47.1	10.6	47.9	47.7	10.6	47.9	47.7	10.5	47.9	47.6	10.5	47.9	46.8	10.3	47.8	45.4	10.1	47.8				
	120	50.3	12.1	47.5	52.0	12.2	47.6	53.0	12.2	47.6	53.3	12.2	47.6	53.5	12.2	47.6	53.4	12.1	47.6	52.6	12.0	47.6				
120	10	50	54.4	6.94	15.9	64.9	9.19	17.1	75.4	11.0	18.3	76.6	11.07	18.4	77.7	11.12	18.5	79.6	11.20	18.7	81.1	11.26	18.8			
		60	54.4	6.81	14.9	64.9	9.02	15.9	75.4	10.88	16.9	77.0	10.96	17.0	78.0	11.01	17.1	79.9	11.09	17.2	81.5	11.15	17.4			
		96	54.4	6.47	13.0	64.9	8.56	13.7	75.4	10.53	14.3	77.0	10.66	14.4	78.0	10.71	14.5	81.0	10.79	14.6	82.6	10.85	14.7			
		120	54.4	6.35	12.4	64.9	8.39	12.9	75.4	10.40	13.4	78.3	10.55	13.5	79.4	10.60	13.6	81.3	10.68	13.7	83.0	10.73	13.7			
	15	50	54.4	7.18	20.9	64.9	9.52	22.1	74.1	11.3	23.2	75.3	11.4	23.3	76.3	11.4	23.4	78.1	11.5	23.6	79.6	11.6	23.7			
		60	54.4	7.05	19.9	64.9	9.34	20.9	74.5	11.2	21.8	75.6	11.3	21.9	76.6	11.3	22.0	78.5	11.4	22.2	80.0	11.5	22.3			
		96	54.4	6.70	18.0	64.9	8.86	18.7	75.4	10.92	19.3	76.5	11.0	19.4	77.6	11.0	19.4	79.5	11.1	19.5	81.0	11.2	19.6			
		120	54.4	6.57	17.4	64.9	8.69	17.9	75.4	10.78	18.4	76.9	10.86	18.5	78.0	10.91	18.5	79.8	11.0	18.6	81.4	11.0	18.7			
	20	50	54.4	7.46	25.9	64.9	9.89	27.1	72.4	11.7	28.1	73.5	11.7	28.1	74.5	11.8	28.2	76.2	11.9	28.4	77.6	11.9	28.6			
		60	54.4	7.32	24.9	64.9	9.70	25.9	72.8	11.6	26.7	73.8	11.6	26.8	74.8	11.7	26.9	76.6	11.7	27.0	78.0	11.8	27.1			
		96	54.4	6.96	23.1	64.9	9.21	23.7	73.7	11.2	24.2	74.8	11.3	24.3	75.8	11.3	24.3	77.6	11.4	24.4	79.0	11.5	24.5			
		120	54.4	6.82	22.4	64.9	9.03	22.9	74.0	11.1	23.4	75.1	11.2	23.4	76.1	11.2	23.5	77.9	11.3	23.6	79.4	11.4	23.6			
25	50	54.4	8.79	31.0	64.9	11.7	32.3	70.3	13.0	33.0	71.3	13.0	33.1	72.3	13.1	33.2	73.9	13.2	33.3	75.1	13.2	33.4				
	60	54.4	8.62	30.0	64.9	11.5	31.1	70.6	12.8	31.6	71.7	12.9	31.7	72.6	13.0	31.8	74.2	13.0	32.0	75.5	13.1	32.1				
	96	54.4	8.19	28.1	64.9	10.9	28.8	71.5	12.5	29.2	72.6	12.6	29.2	73.5	12.6	29.3	75.2	12.7	29.4	76.5	12.8	29.4				
	120	54.4	8.03	27.5	64.9	10.7	28.0	71.8	12.4	28.4	72.9	12.4	28.4	73.9	12.5	28.4	75.6	12.6	28.5	76.9	12.6	28.6				
30	50	54.4	10.4	36.2	64.9	13.9	37.5	67.8	14.3	37.8	68.7	14.4	37.9	69.6	14.4	38.0	71.1	14.5	38.2	72.1	14.5	38.3				
	60	54.4	10.2	35.1	64.9	13.6	36.3	68.1	14.2	36.5	69.1	14.2	36.6	69.9	14.3	36.7	71.4	14.4	36.8	72.5	14.4	36.9				
	96	54.4	9.69	33.2	64.9	12.9	33.9	68.9	13.8	34.1	69.9	13.8	34.2	70.8	13.9	34.2	72.3	14.0	34.3	73.5	14.0	34.4				
	120	54.4																								

4 Capacity tables

4 - 2 Cooling capacity tables

RWEYQ24PY1

TC: Total Capacity: kW ; PI: Power Input: kW (compressor + outdoor fan motor) ; OWT: Outlet Water Temperatur: °C

Combination (%)	Inlet Water Temp. (°C)	Water Volume (L/min)	Indoor air temperature: °CDB																							
			14.0			16.0			18.0			19.0			20.0			22.0			24.0					
			TC	PI	OWT	TC	PI	OWT	TC	PI	OWT	TC	PI	OWT	TC	PI	OWT	TC	PI	OWT	TC	PI	OWT			
100	10	50	45.4	5.25	14.8	5.4	6.87	15.8	6.28	8.72	16.8	6.72	9.73	17.4	7.16	10.79	17.9	7.66	11.07	18.4	7.83	11.15	18.5			
		60	45.4	5.16	14.0	5.4	6.74	14.8	6.28	8.55	15.7	6.72	9.54	16.1	7.16	10.58	16.5	7.69	10.96	17.0	7.86	11.04	17.1			
		96	45.4	4.91	12.5	5.4	6.41	13.0	6.28	8.12	13.5	6.72	9.05	13.8	7.16	10.04	14.1	7.79	10.66	14.4	7.96	10.74	14.5			
	15	50	45.4	5.44	19.9	5.4	7.11	20.8	6.28	9.03	21.9	6.72	10.07	22.4	7.16	11.17	22.9	7.52	11.4	23.3	7.69	11.5	23.4			
		60	45.4	5.34	19.0	5.4	6.98	19.9	6.28	8.86	20.7	6.72	9.88	21.1	7.16	10.96	21.6	7.55	11.3	21.9	7.72	11.4	22.1			
		96	45.4	5.08	17.5	5.4	6.63	18.0	6.28	8.41	18.5	6.72	9.37	18.8	7.16	10.40	19.1	7.65	11.0	19.4	7.82	11.1	19.4			
	20	50	45.4	5.65	24.9	5.4	7.39	25.9	6.28	9.38	26.9	6.72	10.5	27.4	7.16	11.6	28.0	7.34	11.7	28.1	7.50	11.8	28.3			
		60	45.4	5.54	24.1	5.4	7.25	24.9	6.28	9.20	25.7	6.72	10.3	26.2	7.16	11.4	26.6	7.38	11.6	26.8	7.54	11.7	26.9			
		96	45.4	5.27	22.5	5.4	6.89	23.0	6.28	8.74	23.6	6.72	9.75	23.8	7.16	10.8	24.1	7.47	11.3	24.3	7.64	11.4	24.4			
	25	50	45.4	5.17	22.0	5.4	6.76	22.4	6.28	8.57	22.8	6.72	9.55	23.1	7.16	10.6	23.7	7.50	11.2	23.4	7.67	11.2	23.5			
		60	45.4	6.63	30.0	5.4	8.70	31.0	6.28	11.1	32.1	6.72	12.4	32.6	69.5	12.9	32.9	71.3	13.0	33.1	72.8	13.1	33.2			
		96	45.4	6.51	29.1	5.4	8.54	30.0	6.28	10.9	30.9	6.72	12.1	31.3	69.8	12.8	31.7	71.6	12.9	31.7	73.1	13.0	31.9			
30	50	45.4	6.19	27.6	5.4	8.11	28.1	6.28	10.3	28.6	6.72	11.5	28.9	70.7	12.4	29.1	72.5	12.6	29.2	74.1	12.6	29.3				
	60	45.4	6.07	27.0	5.4	7.96	27.5	6.28	10.1	27.9	6.72	11.3	28.1	71.0	12.3	28.3	72.8	12.4	28.4	74.4	12.5	28.5				
	96	45.4	7.82	35.1	5.4	10.3	36.2	6.28	13.1	37.3	6.72	14.2	37.7	67.0	14.2	37.8	68.7	14.4	37.9	70.1	14.4	38.1				
35	50	45.4	7.67	34.2	5.4	10.1	35.1	6.28	12.9	36.0	6.72	14.0	36.4	67.3	14.1	36.5	69.0	14.2	36.6	70.4	14.3	38.7				
	60	45.4	7.29	32.6	5.4	9.59	33.2	6.28	12.2	33.7	6.72	13.7	34.0	68.2	13.7	34.1	69.9	13.8	34.2	71.3	13.9	34.2				
	96	45.4	7.16	32.1	5.4	9.41	32.5	6.28	12.0	33.0	6.72	13.4	33.2	68.5	13.6	33.3	70.2	13.7	33.3	71.7	13.8	34.2				
40	50	45.4	9.29	40.2	5.4	12.3	41.3	6.28	15.4	42.4	6.72	16.5	42.5	64.1	15.6	42.6	65.6	15.7	42.8	66.9	15.8	42.9				
	60	45.4	9.12	39.3	5.4	12.0	40.3	6.28	15.3	41.2	6.72	16.3	41.3	64.4	15.4	41.4	65.9	15.5	41.5	67.2	15.6	41.6				
	96	45.4	8.66	37.7	5.4	11.4	38.3	6.28	14.6	38.9	6.72	15.9	38.9	65.2	15.0	39.0	66.8	15.1	39.1	68.1	15.2	39.1				
45	50	45.4	8.50	37.1	5.4	11.2	37.6	6.28	14.3	38.1	6.72	15.8	38.2	65.5	14.8	38.2	67.1	15.0	38.3	68.4	15.0	38.3				
	60	45.4	11.3	45.4	5.4	14.4	45.6	6.28	18.5	45.7	6.72	19.5	45.8	49.5	11.6	45.8	50.1	11.6	45.9	50.4	11.6	45.9				
	96	45.4	11.0	44.5	5.4	14.3	44.9	6.28	18.4	45.1	6.72	19.4	45.1	52.3	12.5	45.2	53.1	12.5	45.2	53.6	12.5	45.3				
50	50	45.4	9.58	42.7	5.4	12.7	43.3	6.28	15.9	43.6	6.72	17.0	43.6	59.7	14.0	43.7	61.0	14.1	43.7	62.0	14.2	43.8				
	60	45.4	9.26	42.2	5.4	12.3	42.6	6.28	15.7	42.9	6.72	16.8	42.9	60.2	13.8	42.9	61.6	13.9	43.0	62.6	14.0	43.0				
	96	45.4	7.23	48.8	33.4	7.25	48.9	33.5	7.21	48.9	33.4	7.17	48.9	33.1	7.11	48.8	32.0	6.96	48.7	30.4	6.74	48.6				
10	50	35.7	7.93	48.5	36.5	7.98	48.5	36.6	7.98	48.6	37.0	7.97	48.6	36.9	7.92	48.6	36.3	7.81	48.5	35.2	7.65	48.4				
	60	35.7	7.93	48.5	36.5	7.98	48.5	36.6	7.98	48.6	37.0	7.97	48.6	36.9	7.92	48.6	36.3	7.81	48.5	35.2	7.65	48.4				
	96	35.7	10.3	47.7	45.1	10.4	47.8	46.4	10.5	47.8	46.8	10.5	47.9	47.2	10.6	47.9	47.7	10.6	47.9	47.7	10.5	47.9				
15	50	45.4	10.8	47.2	49.4	12.0	47.4	50.9	12.1	47.5	51.6	12.1	47.5	52.1	12.2	47.6	52.9	12.2	47.6	53.4	12.2	47.6				
	60	40.8	4.50	14.3	48.7	5.84	15.2	56.5	7.37	16.1	60.5	8.20	16.6	64.4	9.08	17.0	72.3	10.8	17.9	76.5	11.07	18.4				
	96	40.8	4.42	13.6	48.7	5.74	14.3	56.5	7.23	15.1	60.5	8.04	15.5	64.4	8.90	15.8	72.3	10.71	16.6	76.9	10.96	17.0				
20	50	40.8	4.21	12.2	48.7	5.45	12.7	56.5	6.87	13.2	60.5	7.64	13.4	64.4	8.45	13.6	72.3	10.20	14.1	77.8	10.66	14.4				
	60	40.8	4.13	11.8	48.7	5.35	12.2	56.5	6.74	12.5	60.5	7.49	12.7	64.4	8.29	12.9	72.3	10.00	13.3	78.2	10.55	13.5				
	96	40.8	4.66	19.3	48.7	6.05	20.2	56.5	7.63	21.1	60.5	8.49	21.6	64.4	9.40	22.1	72.3	11.2	23.0	75.2	11.4	23.3				
25	50	40.8	4.58	18.6	48.7	5.94	19.4	56.5	7.48	20.1	60.5	8.33	20.5	64.4	9.22	20.9	72.3	11.09	21.6	75.5	11.3	21.9				
	60	40.8	4.36	17.2	48.7	5.65	17.7	56.5	7.11	18.2	60.5	7.91	18.4	64.4	8.75	18.6	72.3	10.57	19.1	76.4	11.0	19.4				
	96	40.8	4.28	16.8	48.7	5.54	17.2	56.5	6.97	17.5	60.5	7.75	17.7	64.4	8.58	17.9	72.3	10.36	18.3	76.8	10.86	18.5				
30	50	40.8	4.84	24.4	48.7	6.28	25.3	56.5	7.93	26.2	60.5	8.82	26.6	64.4	9.77	27.1	71.7	11.6	28.0	73.4	11.7	28.1				
	60	40.8	4.75	23.6	48.7	6.17	24.4	56.5	7.78	25.1	60.5	8.66	25.5	64.4	9.58	25.9	72.1	11.5	26.7	73.7	11.6	26.8				
	96	40.8	4.52	22.3	48.7	5.86	22.7	56.5	7.39	23.2	60.5	8.22	23.4	64.4	9.10	23.7	72.3	11.0	24.1	74.7	11.3	24.3				
35	50	40.8	4.44	21.8	48.7	5.75	22.2	56.5	7.25	22.5	60.5	8.06	22.7	64.4	8.92	22.9	72.3	10.8	23.3	75.0	11.2	23.4				
	60	40.8	5.67	29.4	48.7	7.39	30.4	56.5	9.34	31.3	60.5	10.4	31.8	64.4	11.5	32.3	69.7	12.9	32.9	71.2	13.0	33.1				
	96	40.8	5.57	28.7	48.7	7.25	29.5	56.5	9.16	30.2	60.5	10.2	30.6	64.4	11.3	31.0	70.0	12.8	31.6	71.6	12.9	31.7				
40	50	40.8	5.30	27.3	48.7	6.89	27.8	56.5	8.70	28.2	60.5	9.69	28.5	64.4	10.7	28.7	70.8	12.5	29.1	72.5	12.6	29.2				
	60	40.8	5.20	26.8	48.7	6.76	27.2	56.5	8.53	27.6	60.5	9.50	27.8	64.4	10.5	28.0	71.2	12.3	28.3	72.8	12.4	28.4				
	96	40.8	6.67	34.5	48.7	8.72	35.5	56.5	11.1	36.5	60.5	12.3	37.0	64.4	13.7	37.5	67.2	14.3	37.8	68.6	14.4	37.9				
45	50	40.8	6.55	33.8	48.7	8.56	34.6	56.5	10.8	35.4	60.5	12.1	35.8	64.4	13.4	36.2	67.5	14.1	36.5	69.0	14.2	36.6				
	60	40.8	6.23	32.3	48.7	8.13	32.8	56.5	10.3	33.3	60.5	11.5	33.6	64.4	12.7	33.8	68.3	13.7	34.1	69.8	13.8	34.2				
	96	40.8	6.11	31.9	48.7	7.98	32.3	56.5	10.1	32.7	60.5	11.3	32.9	64.4	12.5	33.1	68.6	13.6	33.3	70.2	13.7	33.3				
50	50	40.8	7.91	39.7	48.7	10.4	40.6	56.5	13.2	41.7	60.5	14.7	42.2	62.6	15.5	42.5	64.2	15.6	42.6	65.6	15.7	42.8				
	60	40.8	7.76	38.9	48.7	10.2	39.7	56.5	12.9	40.5	60.5	14.5	41.0	62.9	15.3	41.2	64.5	15.4	41.4	65.9	15.5	41.5				
	96	40.8	7.38	37.4	48.7	9.67	37.9	56.5	12.3	38.4	60.5	13.7	38.7	63.7	14.9	38.9	65.3	15.0	39.0	66.8	15.1	39.1				
55	50	40.8	7.24	36.9	48.7	9.49	37.3	56.5	12.0	37.7	60.5	13.4	37.9	64.0	14.7	38.1	65.6	14.8	38.2	67.1	14.9	38.3				
	60	40.8	9.49	44.8	48.7	11.3	45.5	47.5	11.4	45.6	48.1	11.5	45.7	48.7	11.5	45.8	49.5	11.6	45.8	50.1	11.6	45.9				
	96	40.8	9.28	44.0	48.4	12.2	44.8	50.0	12.3	45.0	50.7	12.4	45.0	51.3												

4 Capacity tables

4 - 2 Cooling capacity tables

RWEYQ24PY1

TC: Total Capacity: kW ; PI: Power Input: kW (compressor + outdoor fan motor) ; OWT: Outlet Water Temperatur: °C

Combination (%)	Inlet Water Temp. (°C)	Water Volume L/min	Indoor air temperature: °CDB																							
			14.0			16.0			18.0			19.0			21.0			22.0			24.0					
			TC kW	PI kW	OWT °C	TC kW	PI kW	OWT °C	TC kW	PI kW	OWT °C	TC kW	PI kW	OWT °C	TC kW	PI kW	OWT °C	TC kW	PI kW	OWT °C	TC kW	PI kW	OWT °C			
70	10	50	31.7	3.19	13.3	37.9	4.05	14.0	44.0	5.02	14.7	47.0	5.55	15.0	50.1	6.11	15.4	56.2	7.30	16.1	62.3	8.61	16.8			
		60	31.7	3.13	12.8	37.9	3.98	13.3	44.0	4.93	13.9	47.0	5.45	14.2	50.1	5.99	14.5	56.2	7.16	15.0	62.3	8.44	15.6			
		96	31.7	2.99	11.7	37.9	3.79	12.1	44.0	4.69	12.4	47.0	5.18	12.6	50.1	5.70	12.8	56.2	6.81	13.1	62.3	8.02	13.5			
	15	50	31.7	3.30	18.3	37.9	4.19	19.0	44.0	5.20	19.7	47.0	5.74	20.0	50.1	6.32	20.4	56.2	7.56	21.1	62.3	8.91	21.8			
		60	31.7	3.24	17.8	37.9	4.11	18.3	44.0	5.10	18.9	47.0	5.64	19.2	50.1	6.20	19.5	56.2	7.42	20.1	62.3	8.74	20.7			
		96	31.7	3.09	16.7	37.9	3.92	17.1	44.0	4.85	17.4	47.0	5.36	17.6	50.1	5.90	17.8	56.2	7.04	18.1	62.3	8.30	18.5			
	20	50	31.7	3.42	23.4	37.9	4.35	24.0	44.0	5.40	24.7	47.0	5.97	25.1	50.1	6.56	25.4	56.2	7.85	26.1	62.3	9.26	26.8			
		60	31.7	3.36	22.8	37.9	4.27	23.4	44.0	5.30	23.9	47.0	5.86	24.2	50.1	6.44	24.5	56.2	7.71	25.1	62.3	9.09	25.7			
		96	31.7	3.20	21.7	37.9	4.07	22.1	44.0	5.04	22.4	47.0	5.57	22.6	50.1	6.12	22.8	56.2	7.32	23.2	62.3	8.63	23.5			
	25	50	31.7	3.15	21.4	37.9	3.99	21.7	44.0	4.95	21.9	47.0	5.46	22.1	50.1	6.01	22.2	56.2	7.18	22.5	62.3	8.46	22.8			
		60	31.7	3.99	28.4	37.9	5.09	29.1	44.0	6.33	29.8	47.0	7.01	30.2	50.1	7.72	30.5	56.2	9.25	31.3	62.3	10.9	32.0			
		96	31.7	3.92	27.8	37.9	5.00	28.4	44.0	6.22	29.0	47.0	6.88	29.3	50.1	7.58	29.6	56.2	9.08	30.2	62.3	10.7	30.8			
30	50	31.7	3.74	26.8	37.9	4.76	27.1	44.0	5.91	27.5	47.0	6.54	27.7	50.1	7.20	27.9	56.2	8.62	28.2	62.3	10.2	28.6				
	60	31.7	3.67	26.4	37.9	4.67	26.7	44.0	5.80	27.0	47.0	6.42	27.1	50.1	7.06	27.3	56.2	8.45	27.6	62.3	9.98	27.9				
	96	31.7	3.74	26.8	37.9	4.76	27.1	44.0	5.91	27.5	47.0	6.54	27.7	50.1	7.20	27.9	56.2	8.62	28.2	62.3	10.2	28.6				
35	50	31.7	4.66	33.5	37.9	5.98	34.2	44.0	7.46	34.9	47.0	8.27	35.3	50.1	9.12	35.7	56.2	11.0	36.4	62.3	13.0	37.2				
	60	31.7	4.58	32.9	37.9	5.87	33.5	44.0	7.32	34.1	47.0	8.11	34.4	50.1	8.95	34.7	56.2	10.7	35.3	62.3	12.7	36.0				
	96	31.7	4.37	31.8	37.9	5.59	32.2	44.0	6.96	32.5	47.0	7.71	32.7	50.1	8.50	32.9	56.2	10.2	33.3	62.3	12.1	33.7				
40	50	31.7	4.29	31.4	37.9	5.48	31.7	44.0	6.83	32.0	47.0	7.57	32.2	50.1	8.34	32.3	56.2	10.0	32.6	62.3	11.8	33.0				
	60	31.7	5.49	38.6	37.9	7.07	39.3	44.0	8.86	40.1	47.0	9.83	40.4	50.1	10.9	40.8	56.2	13.1	41.6	62.3	15.4	42.4				
	96	31.7	5.14	36.8	37.9	6.60	37.2	44.0	8.26	37.6	47.0	9.17	37.8	50.1	10.1	38.0	56.2	12.2	38.4	62.3	14.4	38.8				
45	50	31.7	5.05	36.5	37.9	6.48	36.8	44.0	8.11	37.1	47.0	8.99	37.2	50.1	9.92	37.4	56.2	11.9	37.7	62.3	14.1	38.0				
	60	31.7	6.37	43.6	37.9	8.40	44.4	44.0	10.7	45.2	47.0	11.3	45.4	46.3	11.3	45.5	47.4	14.4	45.6	62.3	17.5	45.7				
	96	31.7	6.27	43.0	37.9	8.23	43.7	44.0	10.5	44.3	47.0	11.7	44.7	48.7	12.2	44.9	49.9	12.3	45.0	51.0	12.4	45.0				
50	50	31.7	5.58	41.9	37.9	7.24	42.2	44.0	9.12	42.6	47.0	10.1	42.8	50.1	11.2	43.1	56.2	13.6	43.5	62.3	13.9	43.6				
	60	31.7	5.41	41.5	37.9	7.01	41.8	44.0	8.83	42.1	47.0	9.82	42.3	50.1	10.9	42.4	56.2	13.1	42.8	62.3	13.7	42.9				
	96	31.7	5.41	41.5	37.9	7.01	41.8	44.0	8.83	42.1	47.0	9.82	42.3	50.1	10.9	42.4	56.2	13.1	42.8	62.3	13.7	42.9				
55	50	30.5	7.08	48.6	31.7	7.16	48.7	32.6	7.22	48.8	32.9	7.24	48.8	33.2	7.25	48.9	33.5	7.25	48.9	33.5	7.22	48.9				
	60	31.7	7.19	48.1	34.2	7.84	48.3	35.3	7.91	48.4	35.7	7.94	48.5	36.1	7.96	48.5	36.6	7.98	48.6	36.9	7.98	48.6				
	96	31.7	6.32	46.9	37.9	8.36	47.3	43.2	10.3	47.7	43.8	10.3	47.7	44.4	10.4	47.7	45.5	10.5	47.8	46.3	10.5	47.8				
60	50	31.7	6.14	46.5	37.9	8.06	46.8	44.0	10.2	47.2	47.0	11.4	47.3	48.5	11.9	47.4	49.8	12.0	47.5	50.8	12.1	47.5				
	60	27.21	2.62	12.9	32.5	3.28	13.4	37.7	4.02	14.0	40.3	4.43	14.3	42.9	4.85	14.6	48.2	5.75	15.2	53.4	6.74	15.8				
	96	27.21	2.58	12.4	32.5	3.22	12.8	37.7	3.95	13.3	40.3	4.35	13.6	42.9	4.76	13.8	48.2	5.65	14.3	53.4	6.62	14.4				
65	50	27.21	2.46	11.5	32.5	3.07	11.8	37.7	3.76	12.1	40.3	4.14	12.2	42.9	4.53	12.4	48.2	5.37	12.7	53.4	6.29	13.0				
	60	27.21	2.42	11.2	32.5	3.02	11.4	37.7	3.70	11.6	40.3	4.06	11.8	42.9	4.45	11.9	48.2	5.27	12.1	53.4	6.17	12.4				
	96	27.21	2.46	11.5	32.5	3.07	11.8	37.7	3.76	12.1	40.3	4.14	12.2	42.9	4.53	12.4	48.2	5.37	12.7	53.4	6.29	13.0				
70	50	27.21	2.71	17.9	32.5	3.39	18.4	37.7	4.16	19.0	40.3	4.58	19.3	42.9	5.02	19.6	48.2	5.96	20.2	53.4	6.98	20.8				
	60	27.21	2.66	17.4	32.5	3.33	17.9	37.7	4.09	18.3	40.3	4.50	18.6	42.9	4.93	18.8	48.2	5.85	19.3	53.4	6.85	19.8				
	96	27.21	2.64	16.5	32.5	3.18	16.8	37.7	3.89	17.1	40.3	4.28	17.2	42.9	4.69	17.4	48.2	5.56	17.7	53.4	6.51	18.0				
75	50	27.21	2.50	16.2	32.5	3.12	16.4	37.7	3.82	16.7	40.3	4.20	16.8	42.9	4.60	16.9	48.2	5.45	17.1	53.4	6.38	17.4				
	60	27.2	2.81	22.9	32.5	3.52	23.4	37.7	4.32	24.0	40.3	4.75	24.3	42.9	5.21	24.6	48.2	6.19	25.2	53.4	7.25	25.8				
	96	27.2	2.76	22.4	32.5	3.46	22.9	37.7	4.24	23.3	40.3	4.67	23.6	42.9	5.11	23.8	48.2	6.07	24.3	53.4	7.12	24.8				
80	50	27.2	2.64	21.5	32.5	3.30	21.8	37.7	4.04	22.1	40.3	4.44	22.2	42.9	4.87	22.4	48.2	5.77	22.7	53.4	6.76	23.0				
	60	27.2	2.59	21.2	32.5	3.24	21.4	37.7	3.97	21.7	40.3	4.36	21.8	42.9	4.78	21.9	48.2	5.66	22.1	53.4	6.63	22.4				
	96	27.2	2.72	21.9	32.5	3.41	22.5	37.7	4.06	22.9	40.3	4.57	23.4	42.9	5.11	23.7	48.2	6.11	24.2	53.4	7.04	24.9				
85	50	27.2	3.27	27.9	32.5	4.11	28.5	37.7	5.06	29.1	40.3	5.57	29.4	42.9	6.11	29.7	48.2	7.27	30.3	53.4	8.54	30.9				
	60	27.2	3.21	27.4	32.5	4.04	27.9	37.7	4.97	28.4	40.3	5.47	28.6	42.9	6.00	28.9	48.2	7.14	29.4	53.4	8.38	29.9				
	96	27.2	3.06	26.5	32.5	3.85	26.8	37.7	4.73	27.1	40.3	5.21	27.3	42.9	5.71	27.4	48.2	6.78	27.7	53.4	7.96	28.1				
90	50	27.2	3.01	26.2	32.5	3.78	26.4	37.7	4.64	26.7	40.3	5.11	26.8	42.9	5.60	26.9	48.2	6.65	27.2	53.4	7.80	27.4				
	60	27.2	3.80	33.0	32.5	4.81	33.6	37.7	5.94	34.2	40.3	6.55	34.5	42.9	7.20	34.8	48.2	8.58	35.4	53.4	10.1	36.1				
	96	27.2	3.74	32.5	32.5	4.72	33.0	37.7	5.83	33.5	40.3	6.43	33.7	42.9	7.06	34.0	48.2	8.42	34.5	53.4	9.90	35.0				
95	50	27.2	3.57	31.																						

4 Capacity tables

4 - 2 Cooling capacity tables

RWEYQ26PY1,PYL,PTL

TC: Total Capacity: kW ; PI: Power Input: kW (compressor + outdoor fan motor) ; OWT: Outlet Water Temperatur: °C

Combination (%)	Inlet Water Temp. (°C)	Water Volume L/min	Indoor air temperature: °CDB																																																																																							
			14.0			16.0			18.0			19.0			20.0			22.0			24.0																																																																					
			TC	PI	OWT	TC	PI	OWT	TC	PI	OWT	TC	PI	OWT	TC	PI	OWT	TC	PI	OWT	TC	PI	OWT																																																																			
130	10	50	62.7	8.73	16.8	74.8	11.62	18.3	81.8	12.3	19.0	83.0	12.3	19.1	84.1	12.4	19.2	85.9	12.5	19.4	87.4	12.5	19.5	60	62.7	8.56	15.7	74.8	11.39	16.9	82.1	12.2	17.5	83.3	12.2	17.6	84.5	12.3	17.7	86.4	12.3	17.9	87.9	12.4	18.0	96	62.7	8.13	13.5	74.8	10.81	14.3	83.2	11.83	14.7	84.4	11.89	14.8	85.5	11.93	14.9	87.5	12.01	15.0	89.0	12.06	15.0	120	62.7	7.97	12.8	74.8	10.60	13.4	83.5	11.71	13.8	84.8	11.76	13.8	85.9	11.81	13.9	87.9	11.89	14.0	89.5	11.93	14.0	
		15	50	62.7	9.03	21.9	74.8	12.0	23.3	80.3	12.6	23.9	81.5	12.7	24.0	82.5	12.8	24.1	84.3	12.8	24.3	85.7	12.9	24.4	60	62.7	8.86	20.7	74.8	11.8	21.9	80.7	12.5	22.4	81.8	12.6	22.5	82.9	12.6	22.6	84.7	12.7	22.8	86.1	12.8	22.9	96	62.7	8.42	18.5	74.8	11.19	19.3	81.7	12.2	19.7	82.9	12.2	19.7	84.0	12.3	19.8	85.8	12.4	19.9	87.3	12.4	20.0	120	62.7	8.25	17.8	74.8	10.97	18.4	82.0	12.0	18.7	83.3	12.1	18.8	84.4	12.2	18.8	86.3	12.2	18.9	87.8	12.3	19.0
			20	50	62.7	9.39	26.9	74.8	12.5	28.3	78.4	13.0	28.7	79.5	13.1	28.8	80.5	13.1	29.0	82.2	13.2	29.1	83.5	13.2	29.2	60	62.7	9.21	25.7	74.8	12.3	26.9	78.8	12.9	27.3	79.9	12.9	27.4	80.9	13.0	27.5	82.6	13.1	27.6	83.9	13.1	27.7	96	62.7	8.75	23.6	74.8	11.6	24.3	79.8	12.5	24.6	80.9	12.6	24.7	82.0	12.6	24.7	83.7	12.7	24.8	85.1	12.8	24.9	120	62.7	8.58	22.8	74.8	11.4	23.4	80.1	12.4	23.7	81.3	12.5	23.7	82.3	12.5	23.8	84.1	12.6	23.9	85.5	12.6
	25			50	62.7	11.1	32.1	74.8	14.3	33.4	76.1	14.5	33.7	77.2	14.5	33.8	78.1	14.6	33.9	79.6	14.7	34.0	80.7	14.7	34.1	60	62.7	10.9	30.9	74.8	14.0	32.4	76.5	14.3	32.2	77.5	14.4	32.3	78.5	14.4	32.4	80.0	14.5	32.5	81.2	14.6	32.6	96	62.7	10.3	28.6	74.8	13.7	29.0	77.4	13.9	29.5	78.5	14.0	29.6	79.5	14.0	29.7	81.1	14.1	29.7	82.3	14.2	29.8	120	62.7	10.1	27.9	74.8	13.5	28.5	77.8	13.8	28.6	78.9	13.8	28.7	79.9	13.9	28.7	81.5	14.0	28.8	82.7	14.0
		30		50	62.7	13.1	37.2	71.0	15.8	38.3	73.3	15.9	38.5	74.3	16.0	38.6	75.2	16.0	38.7	76.5	16.1	38.9	77.4	16.1	38.9	60	62.7	12.9	36.0	71.3	15.6	36.9	73.7	15.8	37.1	74.7	15.8	37.2	75.5	15.9	37.3	76.9	16.0	37.4	77.8	16.0	37.5	96	62.7	12.2	33.7	72.2	15.2	34.4	74.6	15.3	34.5	75.6	15.4	34.5	76.5	15.5	34.6	78.0	15.5	34.7	78.9	15.6	34.7	120	62.7	12.0	33.0	72.6	15.0	33.5	75.0	15.2	33.6	76.0	15.2	33.6	76.9	15.3	33.7	78.3	15.4	33.7	79.4	15.4
			35	50	62.7	15.0	42.5	67.9	17.2	43.1	70.1	17.4	43.4	70.9	17.5	43.4	71.7	17.5	43.5	72.8	17.6	43.6	73.4	17.6	43.7	60	62.7	15.4	41.2	68.3	17.1	41.8	70.4	17.2	42.0	71.3	17.3	42.1	72.0	17.3	42.1	73.2	17.4	42.2	73.8	17.4	42.3	96	62.7	14.6	38.8	69.1	16.6	39.3	71.3	16.8	39.4	72.2	16.8	39.4	73.0	16.9	39.5	74.2	16.9	39.5	74.9	16.9	39.6	120	62.7	14.3	38.1	69.4	16.4	38.4	71.6	16.6	38.5	72.6	16.7	38.6	73.4	16.7	38.6	74.6	16.8	38.6	75.3	16.8
	40			50	61.0	12.7	36.1	52.5	12.8	46.2	53.4	12.8	46.3	53.6	12.8	46.3	53.6	12.8	46.3	53.1	12.6	46.3	53.1	12.6	46.1	60	61.0	13.7	45.4	55.4	13.9	45.5	56.6	13.9	45.6	56.9	13.9	45.6	57.1	13.9	45.7	57.0	13.8	45.6	56.2	13.6	45.6	96	61.0	15.4	43.8	63.3	15.5	43.9	65.1	15.7	44.0	65.8	15.7	44.1	66.4	15.7	44.1	67.1	15.7	44.1	67.3	15.7	44.1	120	61.5	15.1	43.1	63.9	15.3	43.2	65.7	15.4	43.2	66.4	15.5	43.3	67.0	15.5	43.3	67.8	15.5	43.3	68.0	15.5
		45		50	35.7	8.02	49.2	35.3	7.90	49.1	33.8	7.68	49.0	32.7	7.52	48.8	31.4	7.34	48.7	27.9	6.89	48.3	23.4	6.33	47.8	60	39.1	8.85	48.8	39.3	8.79	48.8	38.5	8.64	48.8	37.8	8.52	48.7	36.8	8.38	48.6	34.1	8.02	48.4	30.5	7.56	48.0	96	48.8	11.6	48.0	50.1	11.7	48.1	50.8	11.7	48.1	50.7	11.7	48.1	50.7	11.6	48.1	49.8	11.4	48.1	48.3	11.2	48.0	120	53.5	13.4	47.7	55.3	13.5	47.7	56.4	13.5	47.8	56.7	13.5	47.8	56.9	13.5	47.8	56.9	13.5	47.8	56.8	13.4
			10	50	57.9	7.69	16.3	69.1	10.19	17.6	80.2	12.2	18.8	81.5	12.3	19.0	82.7	12.3	19.1	84.6	12.4	19.3	86.3	12.5	19.4	60	57.9	7.55	15.2	69.1	9.99	16.3	80.2	12.06	17.3	81.9	12.2	17.5	83.0	12.2	17.6	85.1	12.3	17.8	86.7	12.4	17.9	96	57.9	7.17	13.2	69.1	9.49	13.9	80.2	11.67	14.6	82.9	11.82	14.7	84.1	11.87	14.8	86.1	11.96	14.9	87.9	12.02	15.0	120	57.9	7.03	12.6	69.1	9.30	13.1	80.2	11.53	13.7	83.3	11.69	13.8	84.5	11.75	13.8	86.5	11.83	13.9	88.3	11.90
	15			50	57.9	7.96	21.3	69.1	10.55	22.6	78.9	12.6	23.7	80.1	12.6	23.9	81.2	12.7	24.0	83.1	12.8	24.2	84.7	12.8	24.3	60	57.9	7.81	20.2	69.1	10.35	21.3	79.2	12.4	22.3	80.4	12.5	22.4	81.5	12.6	22.5	83.5	12.7	22.7	85.1	12.7	22.8	96	57.9	7.42	18.3	69.1	9.82	18.9	80.2	12.1	19.6	81.4	12.2	19.7	82.6	12.2	19.7	84.6	12.3	19.8	86.2	12.4	19.9	120	57.9	7.28	17.6	69.1	9.63	18.1	80.2	12.0	18.7	81.8	12.0	18.7	83.0	12.1	18.8	85.0	12.2	18.9	86.6	12.2
		20		50	57.9	8.27	26.3	69.1	11.0	27.6	77.1	12.9	28.6	78.2	13.0	28.7	79.3	13.1	28.8	81.1	13.1	28.9	82.5	13.2	29.2	60	57.9	8.12	25.3	69.1	10.8	26.4	77.4	12.8	27.2	78.6	12.9	27.3	79.6	12.9	27.4	81.5	13.0	27.5	83.0	13.1	27.6	96	57.9	7.71	23.3	69.1	10.2	23.9	78.4	12.5	24.5	79.5	12.5	24.6	80.6	12.6	24.6	82.5	12.7	24.7	84.1	12.7	24.8	120	57.9	7.56	22.6	69.1	10.0	23.1	78.7	12.3	23.6	79.9	12.4	23.7	81.0	12.4	23.7	82.9	12.5	23.8	84.5	12.6
			25	50	57.9	9.74	31.5	69.1	12.9	32.8	74.8	14.4	33.5	75.9	14.5	33.6	76.9	14.5	33.7	78.6	14.6	33.9	79.9	14.7	34.0	60	57.9	9.56	30.4	69.1	12.7	31.5	75.1	14.2	32.1	76.2	14.3	32.2	77.3	14.4	32.3	79.0	14.5	32.4	80.3	14.5	32.6	96	57.9	9.08	28.3	69.1	12.0	29.0	76.1	13.9	29.5	77.2	13.9	29.5	78.2	14.0	29.6	80.0	14.1	29.7	81.4	14.1	29.8	120	57.9	8.90	27.7	69.1	11.8	28.2	76.4	13.7	28.6	77.6	13.8	28.6	78.6	13.8	28.7	80.4	13.9	28.8	81.8	14.0
30	50			57.9	11.5	36.6	69.1	15.4	38.1	72.1	15.8	38.4	73.1	15.9	38.5	74.1	16.0	38.6	76.6	16.1	38.8	77.7	16.1	38.9	60	57.9	11.3	35.5	69.1	15.1	36.7	72.4	15.7	37.0	73.5	15.8	37.1	74.4	15.8	37.2	76.0	15.9	37.3	77.1	16.0	37.4	96	57.9	10.7	33.4	69.1	14.3	34.1	73.3	15.3	34.4	74.4	15.3	34.5	75.4	15.4	34.5	77.0	15.5	34.6	78.2	15.5	34.7	120	57.9	10.5	32.7	69.1	14.0	33.3	73.7	15.1	33.5	74.8	15.2	33.6	75.7	15.2	33.6	77.4	15.3	33.7	78.6	15.4	33.7
	35	50		57.9	13.7	41.8	66.8	17.1	43.0	68.9	17.3	43.2	69.9	17.4	43.3	70.7	17.5	43.4	72.0	17.5	43.6	73.0	17.6	43.7	60	57.9	13.5	40.7	67.1	17.0	41.7	69.3	17.1	41.9	70.2	17.2	42.0	71.1	17.3	42.0	72.4	17.4	42.2	73.4	17.4	42.2	96	57.9	12.8	38.5	67.9	16.5	39.2	70.1	16.7	39.3	71.1	16.8	39.4	72.0	16.8	39.4	73.4	16.9	39.5	74.4	16.9	39.5	120	57.9	12.6	37.8	68.2	16.3	38.4	70.5	16.5	38.5	71.4	16.6	38.5	72.3	16.6	38.5	73.8	16.7	38.6	74.8	16.8	38.6
		40	50	50.1	12.6	46.0	51.9	12.8	46.2	53.0	12.8	46.3	53.3	12.8	46.3	53.5	12.8	46.3	53.5	12.7	46.3	53.9	12.6	46.3	60	52.7	13.6	45.3	54.7	13.8	45.5	56.0	13.9	45.6	56.5	13.9	45.6	56.9	13.9	45.6	57.1	13.9	45.7	57.9	13.8	45.6	96	57.9																																										

4 Capacity tables

4 - 2 Cooling capacity tables

RWEYQ26PY1

TC: Total Capacity: kW ; PI: Power Input: kW (compressor + outdoor fan motor) ; OWT: Outlet Water Temperatur: °C

Combination (%)	Inlet Water Temp. (°C)	Water Volume L/min	Indoor air temperature: °CDB																																																																																			
			14.0			16.0			18.0			19.0			20.0			22.0			24.0																																																																	
			TC	PI	OWT	TC	PI	OWT	TC	PI	OWT	TC	PI	OWT	TC	PI	OWT	TC	PI	OWT	TC	PI	OWT																																																															
100	10	50	48.3	5.82	15.2	57.6	7.62	16.2	66.9	9.66	17.3	71.5	10.78	17.9	76.1	11.96	18.4	81.5	12.3	19.0	83.3	12.4	19.1	48.3	5.72	14.3	57.6	7.48	15.2	66.9	9.48	16.1	71.5	10.57	16.5	76.1	11.73	17.0	81.8	12.1	17.5	83.7	12.2	17.6	48.3	5.44	12.7	57.6	7.10	13.2	66.9	9.00	13.8	71.5	10.03	14.1	76.1	11.13	14.3	82.8	11.82	14.7	84.7	11.90	14.8	48.3	5.34	12.1	57.6	6.97	12.6	66.9	8.82	13.0	71.5	9.84	13.2	76.1	10.91	13.5	83.2	11.69	13.8	85.1	11.78	13.9
		60	48.3	6.03	20.2	57.6	7.89	21.3	66.9	10.01	22.3	71.5	11.16	22.9	76.1	12.4	23.5	80.0	12.6	23.9	81.8	12.7	24.0	48.3	5.92	19.3	57.6	7.74	20.2	66.9	9.82	21.1	71.5	10.95	21.6	76.1	12.1	22.0	80.4	12.5	22.4	82.2	12.6	22.5	48.3	5.63	17.7	57.6	7.35	18.2	66.9	9.32	18.8	71.5	10.39	19.1	76.1	11.5	19.4	81.4	12.2	19.7	83.2	12.3	19.8	48.3	5.52	17.1	57.6	7.21	17.6	66.9	9.14	18.0	71.5	10.19	18.3	76.1	11.30	18.5	81.7	12.0	18.7	83.6	12.1	18.8
		96	48.3	6.26	25.2	57.6	8.19	26.3	66.9	10.4	27.4	71.5	11.6	27.9	76.1	12.9	28.5	78.1	13.0	28.7	79.8	13.1	28.9	48.3	6.15	24.3	57.6	8.04	25.2	66.9	10.2	26.1	71.5	11.4	26.6	76.1	12.6	27.1	78.5	12.9	27.3	80.2	13.0	27.4	48.3	5.85	22.7	57.6	7.64	23.2	66.9	9.69	23.8	71.5	10.8	24.1	76.1	12.0	24.4	79.5	12.5	24.6	81.2	12.6	24.7	48.3	5.74	22.2	57.6	7.49	22.6	66.9	9.50	23.0	71.5	10.6	23.3	76.1	11.7	23.5	79.8	12.4	23.7	81.6	12.5	23.7
		60	48.3	7.35	30.3	57.6	9.65	31.4	66.9	12.3	32.6	71.5	13.7	33.1	73.9	14.3	33.4	75.8	14.4	33.6	77.4	14.5	33.8	48.3	7.22	29.4	57.6	9.47	30.3	66.9	12.0	31.3	71.5	13.4	31.8	73.9	14.2	32.0	76.2	14.3	32.2	77.8	14.4	32.3	48.3	6.86	27.7	57.6	8.99	28.3	66.9	11.4	28.9	71.5	12.8	29.2	75.2	13.8	29.4	77.1	13.9	29.5	78.8	14.0	29.6	48.3	6.73	27.2	57.6	8.82	27.6	66.9	11.2	28.1	71.5	12.5	28.6	75.5	13.7	28.6	77.5	13.8	28.7	79.2	13.9	28.7
	96	48.3	8.66	35.4	57.6	11.4	36.6	66.9	14.5	37.8	70.3	15.7	38.2	71.3	15.8	38.3	73.1	15.9	38.5	74.6	16.0	38.7	48.3	8.50	34.5	57.6	11.2	35.5	66.9	14.3	36.5	70.6	15.6	36.9	71.6	15.6	36.9	73.4	15.8	37.1	74.9	15.9	37.2	48.3	8.09	32.8	57.6	10.6	33.4	66.9	13.5	34.0	71.5	15.1	34.3	72.5	15.2	34.4	74.3	15.3	34.5	75.9	15.4	34.5	48.3	7.93	32.2	57.6	10.4	32.7	66.9	13.3	33.2	71.5	14.8	33.4	72.8	15.0	33.5	74.7	15.2	33.6	76.3	15.3	33.6	
	60	48.3	10.3	40.6	57.6	13.6	41.8	66.3	17.1	43.0	67.3	17.2	43.1	68.2	17.3	43.2	69.8	17.4	43.3	71.2	17.5	43.5	48.3	10.1	39.6	57.6	13.4	40.6	66.6	16.9	41.6	67.6	17.0	41.7	68.5	17.1	41.8	70.2	17.2	42.0	71.5	17.3	42.1	48.3	9.60	37.9	57.6	12.7	38.5	66.9	16.2	39.1	68.4	16.5	39.2	69.4	16.6	39.3	71.1	16.7	39.4	72.5	16.8	39.4	48.3	9.42	37.3	57.6	12.4	37.8	66.9	15.9	38.3	68.7	16.4	38.4	69.7	16.4	38.4	71.4	16.6	38.5	72.8	16.7	38.6	
	96	48.3	12.5	45.8	50.1	12.6	46.0	51.6	12.7	46.1	52.2	12.8	46.2	52.6	12.8	46.3	53.3	12.8	46.3	53.6	12.8	46.3	48.3	12.2	44.8	52.7	13.6	45.3	54.3	13.8	45.4	55.0	13.8	45.5	55.6	13.9	45.5	56.5	13.9	45.6	57.0	13.9	45.6	48.3	10.6	42.9	57.6	14.1	43.6	61.8	15.4	43.8	62.7	15.5	43.9	63.5	15.6	43.9	64.9	15.7	44.0	66.0	15.7	44.1	48.3	10.3	42.3	57.6	13.6	42.8	62.4	15.2	43.1	63.3	15.2	43.1	64.1	15.3	43.2	65.5	15.4	43.2	66.6	15.5	43.3	
	60	48.3	14.8	49.1	35.5	8.04	49.2	35.7	7.99	49.2	35.5	7.95	49.2	35.2	7.89	49.1	34.1	7.71	49.0	32.4	7.47	48.8	48.3	14.6	48.3	35.8	8.84	48.8	39.3	8.84	48.8	39.3	8.82	48.8	39.3	8.78	48.8	38.6	8.66	48.8	37.5	8.48	48.7	48.3	11.4	47.9	48.0	11.6	48.0	49.3	11.7	48.0	49.8	11.7	48.1	50.2	11.7	48.1	50.7	11.7	48.1	50.8	11.6	48.1	48.3	11.9	47.4	52.5	13.3	47.6	54.2	13.4	47.7	54.9	13.5	47.7	55.4	13.5	47.7	56.3	13.5	47.8	56.8	13.5	47.8	
	96	48.3	16.1	51.8	35.8	10.3	51.9	36.0	10.2	51.9	35.8	10.1	51.9	35.6	10.0	51.8	34.5	9.8	51.7	32.7	9.5	51.5	48.3	15.9	50.9	36.1	11.1	51.4	40.6	11.1	51.4	40.6	11.0	51.4	40.4	10.9	51.3	39.5	10.7	51.2	40.4	10.6	51.1	48.3	13.4	49.3	48.0	13.3	49.4	49.3	13.4	49.4	49.8	13.4	49.4	50.2	13.4	49.4	50.7	13.4	49.4	50.8	13.4	49.4	48.3	13.9	48.9	52.5	15.6	49.0	54.8	15.7	49.1	55.5	15.7	49.1	56.0	15.7	49.1	56.3	15.7	49.1	56.3	15.7	49.1	
	60	48.3	18.3	54.5	51.8	6.48	15.6	60.2	8.17	16.5	64.4	9.09	17.0	68.5	10.06	17.5	76.9	12.01	18.5	81.8	12.3	19.0	48.3	18.1	53.8	51.8	6.36	14.6	60.2	8.01	15.4	64.4	8.92	15.8	68.5	9.87	16.2	76.9	11.87	17.1	81.4	12.1	17.5	48.3	14.6	51.8	51.8	6.05	12.9	60.2	7.61	13.4	64.4	8.47	13.6	68.5	9.37	13.9	76.9	11.31	14.4	82.8	11.81	14.7	48.3	14.5	51.8	51.8	5.93	12.3	60.2	7.47	12.7	64.4	8.30	12.9	68.5	9.18	13.1	76.9	11.09	13.5	83.2	11.69	13.8	
	96	48.3	19.6	57.6	51.8	6.70	20.6	60.2	8.46	21.6	64.4	9.41	22.0	68.5	10.42	22.5	76.9	12.4	23.5	80.0	12.6	23.8	48.3	19.3	56.9	51.8	6.58	19.6	60.2	8.30	20.5	64.4	9.23	20.9	68.5	10.22	21.3	76.9	12.3	22.1	80.3	12.5	22.4	48.3	14.8	51.8	51.8	6.26	17.9	60.2	7.88	18.4	64.4	8.77	18.6	68.5	9.70	18.9	76.9	11.7	19.4	81.3	12.2	19.7	48.3	14.4	51.8	51.8	6.14	17.3	60.2	7.73	17.7	64.4	8.60	17.9	68.5	9.51	18.1	76.9	11.5	18.5	81.7	12.0	18.7	
	60	48.3	24.7	51.8	6.96	25.6	60.2	8.79	26.6	64.4	9.78	27.1	68.5	10.8	27.6	76.3	12.9	28.5	78.1	13.0	28.7	48.3	24.7	51.8	6.84	24.7	60.2	8.62	25.5	64.4	9.59	25.9	68.5	10.6	26.3	76.7	12.8	27.1	78.5	12.9	27.3	48.3	20.2	51.8	51.8	6.50	22.9	60.2	8.19	23.4	64.4	9.11	23.7	68.5	10.1	23.9	76.9	12.2	24.4	79.4	12.5	24.6	48.3	19.2	51.8	51.8	6.38	22.3	60.2	8.03	22.7	64.4	8.93	22.9	68.5	9.88	23.1	76.9	11.9	23.5	79.8	12.4	23.7			
96	48.3	29.8	51.8	8.19	30.7	60.2	10.4	31.7	64.4	11.5	32.3	68.5	12.8	32.8	74.1	14.3	33.5	75.8	14.4	33.6	48.3	29.8	51.8	8.04	29.8	60.2	10.2	30.6	64.4	11.3	31.0	68.5	12.5	31.5	74.4	14.2	32.1	76.1	14.3	32.2	48.3	25.8	51.8	51.8	7.64	28.0	60.2	9.65	28.5	64.4	10.7	28.7	68.5	11.9	29.0	75.4	13.8	29.4	77.1	13.9	29.5	48.3	25.7	51.8	51.8	7.49	27.4	60.2	9.46	27.8	64.4	10.5	28.0	68.5	11.7	28.2	75.7	13.7	28.6	77.5	13.8	28.6				
60	48.3	34.9	51.8	9.66	35.9	60.2	12.3	36.9	64.4	13.7	37.5	68.5	15.2	38.0	71.5	15.8	38.3	73.0	15.9	38.5	48.3	34.9	51.8	9.48	34.9	60.2	12.0	35.7	64.4	13.4	36.2	68.5	14.9	36.6	71.8	15.6	37.0	73.4	15.8	37.1	48.3	30.2	51.8	51.8	9.01	33.0	60.2	11.4	33.6	64.4	12.7	33.8	68.5	14.1	34.1	72.7	15.2	34.4	74.3	15.3	34.5	48.3	29.4	51.8	51.8	8.84	32.4	60.2	11.2	32.8	64.4	12.5	33.1	68.5	13.8	33.3	73.0	15.1	33.5	74.7	15.2	33.6				
96	48.3	40.0	51.8	11.5	41.0	60.2	14.6	42.1	64.4	16.3	42.7	66.6	17.1	43.0	68.3	17.3	43.2	69.8	17.4	43.3	48.3	40.0	51.8	11.3	40.0	60.2	14.4	40.9	64.4	16.0	41.4	66.9	17.0	41.7	68.7	17.1	41.8	70.1	17.2	42.0	48.3	36.1	51.8	51.8	10.7	38.1	60.2	13.6	38.7	64.4	15.2	39.0	67.8	16.5	39.2	69.5	16.6	39.3	71.0	16.7	39.4	48.3	36.0	51.8	51.8	10.5	37.5	60.2	13.4	37.9	64.4	14.9	38.2	68.1	16.3	38.4	69.8	16.5	38.4	71.4	16.6	38.5				
60	48.3	45.2	49.0	12.5	45.9	50.5	12.7	46.0	51.2	12.7	46.1	51.8	12.8	46.2	52.7	12.8	46.3	53.3	12.8	46.																																																																		

4 Capacity tables

4 - 2 Cooling capacity tables

RWEYQ26PY1										TC: Total Capacity: kW ; PI: Power Input: kW (compressor + outdoor fan motor) ; OWT: Outlet Water Temperatur: °C																	
Combination (%)	Inlet Water Temp. (°C)	Water Volume L/min	Indoor air temperature: °CDB																								
			14.0			16.0			18.0			19.0			21.0			22.0			24.0						
			TC	PI	OWT	TC	PI	OWT	TC	PI	OWT	TC	PI	OWT	TC	PI	OWT	TC	PI	OWT	TC	PI	OWT				
70	10	50	33.8	3.53	13.6	40.3	4.49	14.3	46.8	5.57	15.0	50.1	6.15	15.4	53.3	6.77	15.7	59.8	8.09	16.5	66.3	9.54	17.2				
		60	33.8	3.47	13.0	40.3	4.41	13.6	46.8	5.46	14.2	50.1	6.04	14.5	53.3	6.64	14.8	59.8	7.94	15.4	66.3	9.36	16.0				
		96	33.8	3.31	11.8	40.3	4.20	12.2	46.8	5.20	12.6	50.1	5.74	12.8	53.3	6.31	13.0	59.8	7.54	13.4	66.3	8.89	13.7				
		120	33.8	3.25	11.5	40.3	4.12	11.8	46.8	5.10	12.1	50.1	5.63	12.2	53.3	6.19	12.4	59.8	7.40	12.7	66.3	8.71	13.0				
	15	50	33.8	3.65	18.6	40.3	4.64	19.3	46.8	5.76	20.0	50.1	6.37	20.4	53.3	7.00	20.8	59.8	8.38	21.5	66.3	9.88	22.3				
		60	33.8	3.59	18.0	40.3	4.56	18.6	46.8	5.65	19.2	50.1	6.25	19.5	53.3	6.87	19.8	59.8	8.22	20.4	66.3	9.69	21.1				
		96	33.8	3.42	16.9	40.3	4.34	17.2	46.8	5.38	17.6	50.1	5.94	17.8	53.3	6.54	18.0	59.8	7.81	18.4	66.3	9.20	18.8				
		120	33.8	3.36	16.5	40.3	4.26	16.8	46.8	5.28	17.1	50.1	5.83	17.2	53.3	6.41	17.4	59.8	7.66	17.7	66.3	9.02	18.0				
	20	50	33.8	3.79	23.6	40.3	4.82	24.3	46.8	5.98	25.0	50.1	6.61	25.4	53.3	7.28	25.8	59.8	8.71	26.5	66.3	10.3	27.3				
		60	33.8	3.72	23.0	40.3	4.73	23.6	46.8	5.87	24.2	50.1	6.49	24.5	53.3	7.14	24.8	59.8	8.54	25.4	66.3	10.1	26.1				
		96	33.8	3.55	21.9	40.3	4.51	22.2	46.8	5.59	22.6	50.1	6.17	22.8	53.3	6.79	23.0	59.8	8.11	23.4	66.3	9.56	23.8				
		120	33.8	3.49	21.5	40.3	4.43	21.8	46.8	5.48	22.1	50.1	6.06	22.2	53.3	6.66	22.4	59.8	7.96	22.7	66.3	9.38	23.0				
25	50	33.8	4.42	28.7	40.3	5.64	29.4	46.8	7.02	30.1	50.1	7.77	30.5	53.3	8.56	30.9	59.8	10.3	31.7	66.3	12.1	32.5					
	60	33.8	4.34	28.0	40.3	5.54	28.7	46.8	6.89	29.3	50.1	7.63	29.6	53.3	8.40	29.9	59.8	10.1	30.6	66.3	11.9	31.2					
	96	33.8	4.14	26.9	40.3	5.27	27.3	46.8	6.55	27.7	50.1	7.25	27.9	53.3	7.98	28.1	59.8	9.56	28.5	66.3	11.3	28.9					
	120	33.8	4.07	26.5	40.3	5.18	26.8	46.8	6.43	27.1	50.1	7.11	27.3	53.3	7.83	27.4	59.8	9.37	27.8	66.3	11.1	28.1					
30	50	33.8	5.17	33.7	40.3	6.62	34.5	46.8	8.27	35.3	50.1	9.16	35.7	53.3	10.1	36.1	59.8	12.1	36.9	66.3	14.4	37.7					
	60	33.8	5.08	33.1	40.3	6.50	33.7	46.8	8.12	34.4	50.1	8.99	34.7	53.3	9.92	35.0	59.8	11.9	35.7	66.3	14.1	36.4					
	96	33.8	4.84	31.9	40.3	6.19	32.3	46.8	7.72	32.7	50.1	8.55	32.9	53.3	9.42	33.1	59.8	11.3	33.5	66.3	13.4	34.0					
	120	33.8	4.75	31.5	40.3	6.08	31.8	46.8	7.57	32.2	50.1	8.39	32.3	53.3	9.24	32.5	59.8	11.1	32.8	66.3	13.1	33.2					
35	50	33.8	6.09	38.8	40.3	7.84	39.6	46.8	9.82	40.4	50.1	10.9	40.8	53.3	12.0	41.2	59.8	14.5	42.1	66.3	17.1	43.0					
	60	33.8	5.98	38.2	40.3	7.69	38.8	46.8	9.64	39.5	50.1	10.7	39.8	53.3	11.8	40.2	59.8	14.2	40.9	66.3	16.8	41.6					
	96	33.8	5.70	37.0	40.3	7.32	37.4	46.8	9.16	37.8	50.1	10.2	38.0	53.3	11.2	38.2	59.8	13.5	38.6	66.3	16.0	39.1					
	120	33.8	5.59	36.6	40.3	7.18	36.9	46.8	8.99	37.2	50.1	9.97	37.4	53.3	11.0	37.6	59.8	13.2	37.9	66.3	15.7	38.3					
40	50	33.8	7.07	43.9	40.3	9.32	44.7	46.8	11.9	45.6	48.6	12.5	45.8	49.3	12.6	45.9	50.5	13.7	46.0	51.5	12.7	46.1					
	60	33.8	6.95	43.2	40.3	9.12	43.9	46.8	11.6	44.7	50.1	13.0	45.0	51.8	13.6	45.2	53.1	13.7	45.3	54.2	13.8	45.4					
	96	33.8	6.19	42.0	40.3	8.02	42.4	46.8	10.1	42.8	50.1	11.2	43.1	53.3	12.5	43.3	59.8	15.0	43.7	61.7	15.4	43.8					
	120	33.8	6.00	41.6	40.3	7.77	41.9	46.8	9.78	42.3	50.1	10.9	42.4	53.3	12.0	42.6	59.8	14.5	43.0	62.2	15.2	43.1					
45	50	32.5	7.84	48.9	33.7	7.94	49.0	34.6	8.00	49.1	35.0	8.02	49.1	35.3	8.03	49.1	35.6	8.03	49.2	35.7	8.00	49.2					
	60	33.8	7.97	48.3	36.4	8.69	48.6	37.5	8.77	48.7	38.0	8.80	48.7	38.4	8.82	48.8	39.0	8.85	48.8	39.3	8.84	48.8					
	96	33.8	7.00	47.0	40.3	9.26	47.5	45.9	11.4	47.9	46.6	11.5	47.9	47.3	11.5	47.9	48.4	11.6	48.0	49.3	11.7	48.0					
	120	33.8	6.80	46.6	40.3	8.93	47.0	46.8	11.4	47.3	50.1	12.7	47.5	51.7	13.2	47.6	53.0	13.3	47.6	54.1	13.4	47.7					
60	10	50	28.95	2.90	13.0	34.5	3.64	13.6	40.1	4.46	14.3	42.9	4.91	14.6	45.7	5.37	14.9	51.3	6.38	15.5	56.8	7.47	16.1				
		60	28.95	2.85	12.5	34.5	3.57	13.0	40.1	4.38	13.5	42.9	4.82	13.8	45.7	5.28	14.1	51.3	6.26	14.6	56.8	7.33	15.1				
		96	28.95	2.73	11.6	34.5	3.41	11.9	40.1	4.17	12.2	42.9	4.59	12.4	45.7	5.02	12.5	51.3	5.95	12.8	56.8	6.97	13.2				
		120	28.95	2.68	11.3	34.5	3.35	11.5	40.1	4.10	11.8	42.9	4.50	11.9	45.7	4.93	12.0	51.3	5.84	12.3	56.8	6.84	12.5				
	15	50	28.95	3.00	18.1	34.5	3.76	18.7	40.1	4.61	19.3	42.9	5.08	19.6	45.7	5.56	19.9	51.3	6.60	20.5	56.8	7.74	21.2				
		60	28.95	2.95	17.5	34.5	3.70	18.0	40.1	4.53	18.6	42.9	4.98	18.8	45.7	5.46	19.1	51.3	6.48	19.9	56.8	7.59	20.1				
		96	28.95	2.82	16.6	34.5	3.52	16.9	40.1	4.32	17.2	42.9	4.75	17.4	45.7	5.20	17.5	51.3	6.16	17.6	56.8	7.21	18.2				
		120	28.95	2.77	16.3	34.5	3.46	16.5	40.1	4.24	16.8	42.9	4.66	16.9	45.7	5.10	17.0	51.3	6.04	17.3	56.8	7.08	17.5				
	20	50	29.0	3.11	23.1	34.5	3.90	23.7	40.1	4.79	24.3	42.9	5.27	24.6	45.7	5.77	24.9	51.3	6.86	25.6	56.8	8.04	26.2				
		60	29.0	3.06	22.6	34.5	3.83	23.1	40.1	4.70	23.6	42.9	5.17	23.8	45.7	5.67	24.1	51.3	6.73	24.6	56.8	7.89	25.2				
		96	29.0	2.92	21.6	34.5	3.66	21.9	40.1	4.48	22.2	42.9	4.93	22.4	45.7	5.39	22.5	51.3	6.40	22.9	56.8	7.49	23.2				
		120	29.0	2.87	21.3	34.5	3.59	21.5	40.1	4.40	21.8	42.9	4.84	21.9	45.7	5.29	22.0	51.3	6.28	22.3	56.8	7.35	22.6				
25	50	29.0	3.62	28.1	34.5	4.55	28.7	40.1	5.60	29.9	42.9	6.17	29.7	45.7	6.77	30.0	51.3	8.06	30.7	56.8	9.46	31.3					
	60	29.0	3.56	27.6	34.5	4.47	28.1	40.1	5.50	28.6	42.9	6.06	28.9	45.7	6.65	29.2	51.3	7.91	29.7	56.8	9.28	30.3					
	96	29.0	3.40	26.6	34.5	4.27	26.9	40.1	5.24	27.3	42.9	5.77	27.4	45.7	6.33	27.6	51.3	7.52	27.9	56.8	8.82	28.3					
	120	29.0	3.34	26.3	34.5	4.19	26.5	40.1	5.15	26.8	42.9	5.66	26.9	45.7	6.21	27.1	51.3	7.38	27.3	56.8	8.65	27.6					
30	50	29.0	4.22	33.2	34.5	5.33	33.8	40.1	6.58	34.5	42.9	7.26	34.8	45.7	7.98	35.1	51.3	9.51	35.8	56.8	11.2	36.5					
	60	29.0	4.15	32.6	34.5	5.24	33.2	40.1	6.46	33.7	42.9	7.13	34.0	45.7	7.83	34.3	51.3	9.33	34.8	56.8	11.0	35.4					
	96	29.0	3.96	31.6	34.5	4.99	32.0	40.1	6.15	32.3	42.9	6.78	32.5	45.7	7.45	32.6	51.3	8.87	33.0	56.8	10.4	33.3					
	120	29.0	3.89	31.3	34.5	4.90	31.6	40.1	6.04	31.8	42.9	6.66	32.0	45.7	7.31	32.1	51.3	8.70	32.4	56.8	10.2	32.7					
35	50	29.0	4.94	38.2	34.5	6.28	38.9	40.1	7.79	39.6	42.9	8.60	39.9	45.7	9.47	40.3	51.3	11.3	41.0	56.8	13.3	41.7					
	60	29.0	4.86	37.7	34.5	6.17	38.2	40.1	7.64	38.8	42.9	8.45	39.1	45.7	9.29	39.4	51.3	11.1	40.0	56.8	13.1	40.6					
	96	29.0	4.63	36.7	34.5	5.87	37.0	40.1	7.27	37.4	42.9	8.03	37.5	45.7	8.83	37.7	51.3	10.6	38.1	56.8	12.4	38.4					
	120	29.0	4.55	36.3	34.5	5.77	36.6	40.1	7.14	36.9	42.9	7.88	37.0	45.7	8.66	37.2	51.3	10.3	37.5	56.8	12.2	37.7					
40	50	29.0	5.61	43.3	34.5	7.31	44.0	40.1	9.25	44.7	42.9	10.3	45.1	45.7	11.4	45.5	48.9	12.5	45.9	50.0	12.						

4 Capacity tables

4 - 2 Cooling capacity tables

RWEYQ28PY1

TC: Total Capacity: kW ; PI: Power Input: kW (compressor + outdoor fan motor) ; OWT: Outlet Water Temperatur: °C

Combination (%)	Inlet Water Temp. (°C)	Water Volume L/min	Indoor air temperature: °CDB																							
			14.0			16.0			18.0			19.0			20.0			22.0			24.0					
			TC kW	PI kW	OWT °C	TC kW	PI kW	OWT °C	TC kW	PI kW	OWT °C	TC kW	PI kW	OWT °C	TC kW	PI kW	OWT °C	TC kW	PI kW	OWT °C	TC kW	PI kW	OWT °C			
130	10	50	66.5	9.58	17.3	79.3	12.75	18.8	86.7	13.5	19.6	87.9	13.5	19.7	89.1	13.6	19.8	91.1	13.7	20.0	92.7	13.7	20.2			
		60	66.5	9.40	16.0	79.3	12.51	17.3	87.1	13.4	18.0	88.4	13.4	18.1	89.5	13.5	18.2	91.6	13.6	18.4	93.1	13.6	18.5			
		96	66.5	8.93	13.8	79.3	11.87	14.5	88.2	13.0	15.0	89.5	13.0	15.1	90.7	13.1	15.2	92.7	13.2	15.3	94.4	13.2	15.4			
		120	66.5	8.75	13.0	79.3	11.63	13.6	88.6	12.9	14.0	89.9	12.9	14.1	91.1	13.0	14.1	93.2	13.0	14.2	94.9	13.1	14.3			
	15	50	66.5	9.92	22.3	79.3	13.2	23.8	85.1	13.9	24.5	86.4	13.9	24.6	87.5	14.0	24.7	89.4	14.1	24.9	90.9	14.1	25.0			
		60	66.5	9.73	21.1	79.3	13.0	22.3	85.5	13.7	22.9	86.8	13.8	23.0	87.9	13.9	23.1	89.8	13.9	23.3	91.3	14.0	23.4			
		96	66.5	9.24	18.8	79.3	12.3	19.6	86.6	13.4	20.0	87.9	13.4	20.0	89.0	13.5	20.1	91.0	13.6	20.2	92.6	13.6	20.3			
		120	66.5	9.06	18.0	79.3	12.0	18.6	87.0	13.2	19.0	88.3	13.3	19.0	89.4	13.3	19.1	91.4	13.4	19.2	93.0	13.5	19.2			
	20	50	66.5	10.3	27.3	79.3	13.7	28.9	83.1	14.3	29.3	84.3	14.34	29.4	85.4	14.4	29.5	87.2	14.5	29.7	88.5	14.5	29.8			
		60	66.5	10.1	26.1	79.3	13.5	27.4	83.5	14.1	27.8	84.7	14.2	27.9	85.8	14.3	28.0	87.6	14.3	28.1	89.0	14.4	28.2			
		96	66.5	9.60	23.8	79.3	12.8	24.6	84.6	13.8	24.9	85.8	13.8	25.0	86.9	13.9	25.0	88.8	14.0	25.1	90.2	14.0	25.2			
		120	66.5	9.42	23.0	79.3	12.5	23.7	85.0	13.6	23.9	86.2	13.7	24.0	87.3	13.7	24.0	89.2	13.8	24.1	90.7	13.9	24.2			
25	50	66.5	12.2	32.5	79.3	15.7	34.0	80.7	15.9	34.2	81.8	15.9	34.3	82.8	16.0	34.4	84.4	16.1	34.6	85.6	16.1	34.7				
	60	66.5	11.9	31.2	79.3	15.6	32.5	81.1	15.7	32.7	82.2	15.8	32.8	83.2	15.8	32.9	84.9	15.9	33.0	86.0	16.0	33.1				
	96	66.5	11.3	28.9	79.3	15.1	29.7	82.1	15.3	29.8	83.2	15.4	29.9	84.3	15.4	30.0	86.0	15.5	30.1	87.2	15.6	30.1				
	120	66.5	11.1	28.1	79.3	14.8	28.7	82.5	15.1	28.9	83.6	15.2	28.9	84.7	15.3	29.0	86.4	15.3	29.1	87.7	15.4	29.1				
30	50	66.5	14.4	37.7	75.3	17.3	38.8	77.7	17.5	39.1	78.8	17.6	39.2	79.7	17.6	39.3	81.1	17.7	39.4	82.0	17.7	39.5				
	60	66.5	14.1	36.4	75.6	17.1	37.4	78.1	17.3	37.6	79.1	17.4	37.7	80.1	17.4	37.8	81.5	17.5	37.9	82.5	17.5	38.0				
	96	66.5	13.4	34.0	76.6	16.7	34.6	79.1	16.8	34.8	80.2	16.9	34.8	81.1	17.0	34.9	82.6	17.1	35.0	83.7	17.1	35.0				
	120	66.5	13.1	33.2	76.9	16.5	33.7	79.5	16.7	33.8	80.5	16.7	33.9	81.5	16.8	33.9	83.1	16.9	34.0	84.1	16.9	34.0				
35	50	66.5	17.2	43.0	72.0	18.9	43.7	74.3	19.1	43.9	75.2	19.2	44.1	76.0	19.2	44.1	77.2	19.3	44.2	77.8	19.3	44.3				
	60	66.5	16.9	41.6	72.4	18.7	42.3	74.6	18.9	42.4	75.6	19.0	42.5	76.4	19.0	42.6	77.6	19.1	42.7	78.3	19.1	42.8				
	96	66.5	16.0	39.1	73.3	18.2	39.6	75.6	18.4	39.7	76.5	18.5	39.7	77.4	18.5	39.8	78.7	18.6	39.8	79.4	18.6	39.9				
	120	66.5	15.7	38.3	73.6	18.0	38.6	75.9	18.2	38.7	76.9	18.3	38.8	77.8	18.3	38.8	79.1	18.4	38.9	79.9	18.4	38.9				
40	50	54.0	13.9	46.5	55.7	14.1	46.7	56.6	14.1	46.8	56.8	14.1	46.8	56.8	14.0	46.8	56.8	14.0	46.8	56.8	14.0	46.8				
	60	56.9	15.1	45.7	58.8	15.2	45.9	60.0	15.3	46.0	60.4	15.3	46.0	60.5	15.3	46.0	60.4	15.1	46.0	59.6	15.0	45.9				
	96	64.6	16.9	44.1	67.1	17.1	44.2	69.0	17.2	44.3	69.8	17.3	44.3	70.4	17.3	44.4	71.1	17.3	44.4	71.3	17.2	44.4				
	120	65.2	16.6	43.3	67.7	16.8	43.4	69.7	16.9	43.4	70.4	17.0	43.5	71.0	17.0	43.5	71.9	17.0	43.5	72.1	17.0	43.5				
45	50	37.8	8.80	49.5	37.4	8.68	49.4	35.9	8.43	49.2	34.7	8.26	49.1	33.0	8.06	48.9	29.6	7.56	48.5	24.8	6.95	48.1				
	60	41.5	9.72	49.1	41.7	9.66	49.1	40.8	9.48	49.0	40.0	9.35	48.9	39.0	9.20	48.8	36.2	8.80	48.6	32.4	8.30	48.2				
	96	51.7	12.8	48.2	53.2	12.8	48.3	53.8	12.8	48.3	53.9	12.8	48.3	53.7	12.7	48.3	52.8	12.6	48.3	51.2	12.3	48.2				
	120	56.7	14.7	47.8	58.6	14.8	47.9	59.8	14.9	48.0	60.2	14.9	48.0	60.3	14.8	48.0	60.2	14.7	48.0	59.3	14.6	47.9				
120	10	50	61.4	8.44	16.7	73.2	11.18	18.1	85.0	13.4	19.4	86.4	13.5	19.5	87.6	13.5	19.7	89.7	13.6	19.9	91.5	13.7	20.1			
		60	61.4	8.29	15.5	73.2	10.97	16.7	85.0	13.2	17.8	86.8	13.3	18.0	88.0	13.4	18.1	90.2	13.5	18.3	91.9	13.6	18.4			
		96	61.4	7.87	13.4	73.2	10.41	14.2	85.0	12.8	14.9	87.9	13.0	15.0	89.1	13.1	15.1	91.3	13.1	15.2	93.1	13.2	15.3			
		120	61.4	7.72	12.8	73.2	10.21	13.3	85.0	12.7	13.9	88.3	12.8	14.0	89.5	12.9	14.1	91.7	13.0	14.2	93.6	13.1	14.2			
	15	50	61.4	8.74	21.7	73.2	11.6	23.1	83.6	13.8	24.3	84.9	13.9	24.4	86.1	14.0	24.6	88.1	14.0	24.8	89.7	14.1	24.9			
		60	61.4	8.58	20.6	73.2	11.4	21.7	84.0	13.7	22.8	85.3	13.7	22.9	86.5	13.8	23.0	88.5	13.9	23.2	90.2	14.0	23.3			
		96	61.4	8.15	18.5	73.2	10.78	19.2	85.0	13.3	19.9	86.3	13.4	20.0	87.5	13.4	20.0	89.6	13.5	20.1	91.4	13.6	20.2			
		120	61.4	7.99	17.8	73.2	10.57	18.3	85.0	13.1	18.9	86.7	13.2	19.0	87.9	13.3	19.0	90.1	13.4	19.1	91.8	13.4	19.2			
	20	50	61.4	9.08	26.7	73.2	12.0	28.1	81.7	14.2	29.2	82.9	14.3	29.3	84.0	14.3	29.4	86.0	14.4	29.6	87.5	14.5	29.7			
		60	61.4	8.91	25.6	73.2	11.8	26.8	82.1	14.1	27.7	83.3	14.1	27.8	84.4	14.2	27.9	86.4	14.3	28.0	87.9	14.4	28.1			
		96	61.4	8.47	23.5	73.2	11.2	24.2	83.1	13.7	24.8	84.3	13.7	24.9	85.5	13.8	24.9	87.5	13.9	25.0	89.1	14.0	25.1			
		120	61.4	8.30	22.8	73.2	11.0	23.4	83.5	13.5	23.9	84.7	13.6	23.9	85.9	13.7	24.0	87.9	13.8	24.0	89.6	13.8	24.1			
25	50	61.4	10.7	31.9	73.2	14.2	33.4	79.3	15.8	34.1	80.5	15.9	34.2	81.5	15.9	34.3	83.3	16.0	34.5	84.7	16.1	34.6				
	60	61.4	10.5	30.7	73.2	13.9	31.9	79.7	15.6	32.6	80.8	15.7	32.7	81.9	15.8	32.8	83.7	15.9	32.9	85.1	15.9	33.1				
	96	61.4	9.97	28.6	73.2	13.2	29.3	80.7	15.2	29.8	81.8	15.3	29.8	82.9	15.3	29.9	84.8	15.4	30.0	86.3	15.5	30.1				
	120	61.4	9.78	27.8	73.2	13.0	28.4	81.0	15.0	28.8	82.2	15.1	28.9	83.3	15.2	28.9	85.2	15.3	29.0	86.7	15.4	29.1				
30	50	61.4	12.7	37.1	73.2	16.9	38.6	76.4	17.4	39.0	77.5	17.5	39.1	78.5	17.5	39.2	80.1	17.6	39.3	81.4	17.7	39.5				
	60	61.4	12.4	35.9	73.2	16.5	37.1	76.8	17.2	37.5	77.9	17.3	37.6	78.9	17.4	37.7	80.5	17.5	37.8	81.8	17.5	37.9				
	96	61.4	11.8	33.6	73.2	15.7	34.4	77.8	16.8	34.7	78.9	16.8	34.8	79.9	16.9	34.8	81.6	17.0	34.9	82.9	17.1	35.0				
	120	61.4	11.6	32.9	73.2	15.4																				

4 Capacity tables

4 - 2 Cooling capacity tables

RWEYQ28PY1

TC: Total Capacity: kW ; PI: Power Input: kW (compressor + outdoor fan motor) ; OWT: Outlet Water Temperatur: °C

Combination (%)	Inlet Water Temp. (°C)	Water Volume l/min	Indoor air temperature: °CDB																																																																																									
			14.0			16.0			18.0			19.0			20.0			22.0			24.0																																																																							
			TC	PI	OWT	TC	PI	OWT	TC	PI	OWT	TC	PI	OWT	TC	PI	OWT	TC	PI	OWT	TC	PI	OWT																																																																					
100	10	50	51.2	6.39	15.5	61.0	8.36	16.6	70.9	10.61	17.8	75.8	11.83	18.4	80.7	13.1	19.0	86.3	13.5	19.5	88.3	13.6	19.7	60	51.2	6.28	14.6	61.0	8.21	15.5	70.9	10.41	16.5	75.8	11.61	17.0	80.7	12.88	17.5	86.7	13.3	18.0	88.7	13.4	18.1	96	51.2	5.97	12.8	61.0	7.80	13.4	70.9	9.88	14.0	75.8	11.02	14.3	80.7	12.22	14.6	87.8	13.0	15.0	89.8	13.1	15.1	120	51.2	5.86	12.3	61.0	7.65	12.7	70.9	9.69	13.2	75.8	10.80	13.4	80.7	11.98	13.7	88.2	12.8	14.0	90.2	12.9	14.1			
		15	50	51.2	6.62	20.5	61.0	8.66	21.7	70.9	10.98	22.8	75.8	12.3	23.4	80.7	13.6	24.0	84.8	13.9	24.4	86.7	14.0	24.6	60	51.2	6.50	19.6	61.0	8.50	20.5	70.9	10.78	21.5	75.8	12.0	22.0	80.7	13.3	22.5	85.2	13.7	22.9	87.1	13.8	23.0	96	51.2	6.18	17.9	61.0	8.07	18.4	70.9	10.23	19.0	75.8	11.4	19.3	80.7	12.7	19.6	86.3	13.4	20.0	88.2	13.4	20.1	120	51.2	6.06	17.3	61.0	7.92	17.7	70.9	10.03	18.2	75.8	11.18	18.5	80.7	12.4	18.7	86.7	13.2	19.0	88.6	13.3	19.1		
			20	50	51.2	6.87	25.5	61.0	9.00	26.7	70.9	11.4	27.9	75.8	12.7	28.5	80.7	14.1	29.1	82.8	14.3	29.3	84.6	14.4	29.5	60	51.2	6.75	24.6	61.0	8.83	25.6	70.9	11.2	26.5	75.8	12.5	27.0	80.7	13.9	27.5	83.2	14.1	27.8	85.0	14.2	27.9	96	51.2	6.42	22.9	61.0	8.39	23.5	70.9	10.6	24.1	75.8	11.9	24.4	80.7	13.2	24.7	84.2	13.7	24.9	86.1	13.8	25.0	120	51.2	6.30	22.3	61.0	8.23	22.8	70.9	10.4	23.2	75.8	11.6	23.5	80.7	12.9	23.7	84.6	13.6	23.9	86.5	13.7	24.0	
				25	50	51.2	8.07	30.7	61.0	10.6	31.8	70.9	13.5	33.1	75.8	15.0	33.7	78.4	15.7	34.0	80.4	15.9	34.2	82.1	16.0	34.4	60	51.2	7.92	29.7	61.0	10.4	30.7	70.9	13.2	31.7	75.8	14.8	32.2	78.8	15.6	32.5	80.8	15.7	32.7	82.5	15.8	32.8	96	51.2	7.53	27.9	61.0	9.87	28.5	70.9	12.5	29.2	75.8	14.0	29.5	79.7	15.1	29.7	81.8	15.3	29.8	83.5	15.4	29.9	120	51.2	7.39	27.3	61.0	9.68	27.8	70.9	12.3	28.3	75.8	13.7	28.6	80.1	15.0	28.8	82.2	15.1	28.9	83.9	15.2	29.0
	30				50	51.2	9.51	35.8	61.0	12.5	37.0	70.9	16.0	38.3	74.5	17.3	38.8	75.6	17.3	38.9	77.5	17.5	39.1	79.0	17.6	39.2	60	51.2	9.34	34.8	61.0	12.3	35.8	70.9	15.7	36.9	74.5	17.1	37.3	75.9	17.2	37.4	77.8	17.3	37.6	79.4	17.4	37.7	96	51.2	8.88	33.0	61.0	11.7	33.6	70.9	14.9	34.3	75.8	16.6	34.6	76.9	16.7	34.7	78.8	16.8	34.8	80.5	16.9	34.8	120	51.2	8.71	32.4	61.0	11.4	32.9	70.9	14.6	33.4	75.8	16.3	33.7	77.2	16.5	33.7	79.2	16.6	33.8	80.8	16.8	33.9
		35			50	51.2	11.3	41.0	61.0	14.9	42.3	70.9	18.8	43.5	71.3	18.9	43.6	72.3	18.9	43.7	74.0	19.1	43.9	75.4	19.2	44.0	60	51.2	11.1	40.0	61.0	14.7	41.0	70.6	18.6	42.1	71.6	18.7	42.2	72.6	18.8	42.3	74.4	18.9	42.4	75.8	19.0	42.6	96	51.2	10.5	38.1	61.0	13.9	38.7	70.9	17.8	39.4	72.5	18.2	39.5	73.5	18.2	39.6	75.3	18.4	39.7	76.8	18.5	39.7	120	51.2	10.3	37.4	61.0	13.6	38.0	70.9	17.4	38.5	72.9	18.0	38.6	73.9	18.1	38.7	75.7	18.2	38.7	77.2	18.3	38.8
			40		50	51.2	13.7	46.2	61.0	17.1	46.4	54.7	14.0	46.6	55.8	14.1	46.7	56.5	14.1	46.7	56.5	14.1	46.7	56.5	14.1	46.8	60	51.2	13.4	45.1	55.8	15.0	45.6	57.6	15.1	45.8	58.3	15.2	45.9	58.9	15.2	45.9	59.9	15.3	46.0	60.4	15.3	46.0	96	51.2	11.7	43.1	61.0	15.5	43.8	65.6	16.9	44.1	66.5	17.0	44.2	67.4	17.1	44.2	68.8	17.2	44.3	70.0	17.3	44.3	120	51.2	11.3	42.5	61.0	15.0	43.0	66.1	16.7	43.3	67.1	16.7	43.3	68.0	16.8	43.4	69.5	16.9	43.4	70.6	17.0	43.5
				45	50	36.9	8.80	49.4	37.7	8.82	49.4	37.8	8.78	49.5	37.8	8.72	49.4	37.3	8.66	49.4	36.1	8.47	49.3	34.3	8.20	49.1	60	40.0	9.64	49.0	41.1	9.71	49.0	41.7	9.71	49.1	41.7	9.68	49.1	41.6	9.64	49.1	41.0	9.51	49.0	39.7	9.31	48.9	96	49.0	12.5	48.1	50.9	12.7	48.2	52.3	12.8	48.2	52.8	12.8	48.3	53.3	12.8	48.3	53.8	12.8	48.3	53.8	12.8	48.3	120	51.2	13.1	47.6	55.7	14.6	47.8	57.4	14.7	47.9	58.2	14.8	47.9	58.8	14.8	47.9	59.7	14.9	48.0	60.2	14.9	48.0
	90				10	50	46.0	5.48	14.9	54.9	7.11	15.9	63.8	8.97	17.0	68.2	9.98	17.5	72.7	11.04	18.0	81.5	13.2	19.1	86.3	13.5	19.5	60	46.0	5.38	14.1	54.9	6.98	14.9	63.8	8.80	15.8	68.2	9.79	16.2	72.7	10.83	16.6	81.5	13.0	17.5	86.7	13.3	18.0	96	46.0	5.12	12.5	54.9	6.64	13.1	63.8	8.36	13.6	68.2	9.29	13.9	72.7	10.28	14.1	81.5	12.4	14.7	87.8	13.0	15.0	120	46.0	5.03	12.0	54.9	6.51	12.4	63.8	8.20	12.9	68.2	9.11	13.1	72.7	10.08	13.3	81.5	12.2	13.7	88.2	12.8
		15				50	46.0	5.67	19.9	54.9	7.36	21.0	63.8	9.28	22.0	68.2	10.33	22.5	72.7	11.4	23.0	81.5	13.7	24.1	84.8	13.9	24.4	60	46.0	5.57	19.1	54.9	7.22	19.9	63.8	9.11	20.8	68.2	10.13	21.2	72.7	11.22	21.7	81.5	13.5	22.6	85.2	13.7	22.9	96	46.0	5.30	17.6	54.9	6.87	18.1	63.8	8.65	18.6	68.2	9.62	18.9	72.7	10.65	19.1	81.5	12.9	19.7	86.2	13.4	20.0	120	46.0	5.20	17.0	54.9	6.74	17.5	63.8	8.48	17.9	68.2	9.44	18.1	72.7	10.44	18.3	81.5	12.6	18.7	86.6	13.2
			20			50	46.0	5.89	25.0	54.9	7.65	26.0	63.8	9.65	27.0	68.2	10.7	27.5	72.7	11.9	28.1	80.9	14.2	29.1	82.8	14.3	29.0	60	46.0	5.78	24.1	54.9	7.50	25.0	63.8	9.46	25.8	68.2	10.5	26.3	72.7	11.7	26.7	81.3	14.0	27.6	83.2	14.1	27.7	96	46.0	5.50	22.6	54.9	7.14	23.1	63.8	8.99	23.6	68.2	10.0	23.9	72.7	11.1	24.2	81.5	13.4	24.7	84.2	13.7	24.9	120	46.0	5.40	22.0	54.9	7.00	22.5	63.8	8.82	22.9	68.2	9.81	23.1	72.7	10.9	23.3	81.5	13.1	23.8	84.6	13.6
				25		50	46.0	6.90	30.1	54.9	8.99	31.1	63.8	11.4	32.2	68.2	12.7	32.7	72.7	14.0	33.3	78.6	15.7	34.0	80.4	15.9	34.2	60	46.0	6.78	29.2	54.9	8.82	30.1	63.8	11.2	31.0	68.2	12.4	31.4	72.7	13.8	31.9	78.9	15.6	32.5	80.7	15.7	32.7	96	46.0	6.45	27.6	54.9	8.39	28.2	63.8	10.6	28.7	68.2	11.8	29.0	72.7	13.1	29.3	79.9	15.2	29.7	81.7	15.3	29.8	120	46.0	6.33	27.1	54.9	8.23	27.5	63.8	10.4	28.0	68.2	11.6	28.2	72.7	12.8	28.4	80.3	15.0	28.8	82.1	15.1
30					50	46.0	8.12	35.2	54.9	10.6	36.3	63.8	13.5	37.4	68.2	15.0	38.0	72.7	16.6	38.5	75.7	17.3	38.9	77.4	17.5	39.1	60	46.0	7.97	34.3	54.9	10.4	35.2	63.8	13.2	36.1	68.2	14.7	36.6	72.7	16.3	37.1	76.1	17.2	37.4	77.8	17.3	37.6	96	46.0	7.58	32.7	54.9	9.89	33.2	63.8	12.5	33.8	68.2	14.0	34.1	72.7	15.5	34.4	77.0	16.7	34.7	78.8	16.8	34.8	120	46.0	7.44	32.1	54.9	9.70	32.6	63.8	12.3	33.0	68.2	13.7	33.3	72.7	15.2	33.5	77.4	16.5	33.7	79.1	16.6	33.8
		35			50	46.0	9.62	40.3	54.9	12.6	41.5	63.8	16.1	42.6	68.2	17.9	43.2	70.6	18.8	43.5	72.4	19.0	43.7	74.0	19.1	43.9	60	46.0	9.45	39.4	54.9	12.4	40.4	63.8	15.8	41.3	68.2	17.6	41.8	71.0	18.6	42.1	72.8	18.8	42.3	74.3	18.9	42.4	96	46.0	8.98	37.7	54.9	11.8	38.3	63.8	15.0	38.9	68.2	16.7	39.2	71.8	18.1	39.5	73.7	18.3	39.6	75.3	18.4	39.7	120	46.0	8.81	37.2	54.9	11.5	37.6	63.8	14.7	38.1	68.2	16.4	38.4	72.2	17.9	38.6	74.0	18.1	38.7	75.7	18.2	38.6
			40		50	46.0	11.5	45.5	51.9	13.8	46.3	53.6	13.9	46.5	54.3	14.0	46.5	54.9	14.1	46.7	56.5	14.1	46.7	56.5	14.1	46.8	60	46.0	11.3	44.6	54.5	14.9	45.5	56.4	15.0	45.7	57.2	15.1	45.8	57.9	15.1	45.8	59.0	15.2	45.9	59.9	15.3	46.0	96	46.0																																										

4 Capacity tables

4 - 2 Cooling capacity tables

RWEYQ28PY1

TC: Total Capacity: kW ; PI: Power Input: kW (compressor + outdoor fan motor) ; OWT: Outlet Water Temperatur: °C

Combination (%)	Inlet Water Temp. (°C)	Water Volume L/min	Indoor air temperature: °CDB																							
			14.0			16.0			18.0			19.0			21.0			22.0			24.0					
			TC	PI	OWT	TC	PI	OWT	TC	PI	OWT	TC	PI	OWT	TC	PI	OWT	TC	PI	OWT	TC	PI	OWT			
70	10	50	35.8	3.88	13.8	42.7	4.93	14.6	49.6	6.11	15.3	53.1	6.75	15.7	56.5	7.43	16.1	63.4	8.88	16.9	70.3	10.47	17.7	70.3	10.47	17.7
		60	35.8	3.81	13.2	42.7	4.84	13.8	49.6	6.00	14.4	53.1	6.63	14.8	56.5	7.29	15.1	63.4	8.72	15.7	70.3	10.27	16.4	70.3	10.27	16.4
		96	35.8	3.64	12.0	42.7	4.61	12.4	49.6	5.71	12.8	53.1	6.30	13.0	56.5	6.93	13.2	63.4	8.28	13.6	70.3	9.75	14.0	70.3	9.75	14.0
	15	50	35.8	4.07	11.6	42.7	4.52	11.9	49.6	5.60	12.2	53.1	6.19	12.4	56.5	6.80	12.5	63.4	8.12	12.8	70.3	9.56	13.2	70.3	9.56	13.2
		60	35.8	3.51	18.8	42.7	5.10	19.6	49.6	6.32	20.3	53.1	6.99	20.7	56.5	7.69	21.1	63.4	9.20	21.9	70.3	10.84	22.8	70.3	10.84	22.8
		96	35.8	3.94	18.2	42.7	5.01	18.8	49.6	6.21	19.4	53.1	6.86	19.8	56.5	7.55	20.1	63.4	9.02	20.8	70.3	10.64	21.4	70.3	10.64	21.4
	20	50	35.8	3.76	17.0	42.7	4.77	17.4	49.6	5.91	17.8	53.1	6.52	18.0	56.5	7.17	18.2	63.4	8.57	18.6	70.3	10.10	19.0	70.3	10.10	19.0
		60	35.8	3.69	16.6	42.7	4.68	16.9	49.6	5.80	17.2	53.1	6.40	17.4	56.5	7.04	17.5	63.4	8.41	17.9	70.3	9.90	18.2	70.3	9.90	18.2
		96	35.8	4.16	23.8	42.7	5.29	24.6	49.6	6.57	25.4	53.1	7.26	25.8	56.5	7.99	26.2	63.4	9.56	27.0	70.3	11.3	27.8	70.3	11.3	27.8
	25	50	35.8	4.09	23.2	42.7	5.20	23.8	49.6	6.45	24.5	53.1	7.13	24.8	56.5	7.84	25.1	63.4	9.38	25.8	70.3	11.1	26.5	70.3	11.1	26.5
		60	35.8	3.90	22.0	42.7	4.95	22.4	49.6	6.13	22.8	53.1	6.78	23.0	56.5	7.45	23.2	63.4	8.91	23.6	70.3	10.5	24.0	70.3	10.5	24.0
		96	35.8	3.83	21.6	42.7	4.86	21.9	49.6	6.02	22.2	53.1	6.65	22.4	56.5	7.31	22.5	63.4	8.74	22.9	70.3	10.3	23.2	70.3	10.3	23.2
30	50	35.8	4.85	28.9	42.7	6.19	29.7	49.6	7.71	30.5	53.1	8.53	30.9	56.5	9.39	31.3	63.4	11.3	32.1	70.3	13.3	33.0	70.3	13.3	33.0	
	60	35.8	4.77	28.2	42.7	6.08	28.9	49.6	7.56	29.6	53.1	8.37	29.9	56.5	9.22	30.2	63.4	11.0	30.9	70.3	13.0	31.6	70.3	13.0	31.6	
	96	35.8	4.55	27.0	42.7	5.79	27.4	49.6	7.20	27.8	53.1	7.96	28.0	56.5	8.76	28.2	63.4	10.5	28.7	70.3	12.4	29.1	70.3	12.4	29.1	
35	50	35.8	4.47	26.6	42.7	5.68	26.9	49.6	7.06	27.3	53.1	7.81	27.4	56.5	8.59	27.6	63.4	10.3	27.9	70.3	12.1	28.3	70.3	12.1	28.3	
	60	35.8	5.68	34.0	42.7	7.27	34.8	49.6	9.08	35.6	53.1	10.1	36.0	56.5	11.1	36.5	63.4	13.3	37.3	70.3	15.8	38.2	70.3	15.8	38.2	
	96	35.8	5.58	33.3	42.7	7.14	34.0	49.6	8.91	34.7	53.1	9.87	35.0	56.5	10.9	35.4	63.4	13.1	36.1	70.3	15.5	36.8	70.3	15.5	36.8	
40	50	35.8	5.32	32.0	42.7	6.80	32.5	49.6	8.47	32.9	53.1	9.38	33.1	56.5	10.3	33.3	63.4	12.4	33.8	70.3	14.7	34.2	70.3	14.7	34.2	
	60	35.8	5.22	31.6	42.7	6.67	32.0	49.6	8.31	32.3	53.1	9.21	32.5	56.5	10.1	32.7	63.4	12.2	33.0	70.3	14.4	33.4	70.3	14.4	33.4	
	96	35.8	6.68	39.1	42.7	8.60	39.9	49.6	10.8	40.8	53.1	12.0	41.2	56.5	13.2	41.7	63.4	15.9	42.6	70.3	18.8	43.5	70.3	18.8	43.5	
45	50	35.8	6.25	37.1	42.7	8.45	39.1	49.6	10.6	39.8	53.1	11.7	40.2	56.5	13.0	40.5	63.4	15.6	41.3	70.3	18.5	42.1	70.3	18.5	42.1	
	60	35.8	6.57	37.1	42.7	8.04	37.5	49.6	10.1	38.0	53.1	11.2	38.2	56.5	12.3	38.4	63.4	14.8	38.9	70.3	17.5	39.4	70.3	17.5	39.4	
	96	35.8	6.14	36.7	42.7	7.89	37.0	49.6	9.87	37.4	53.1	10.9	37.5	56.5	12.1	37.7	63.4	14.5	38.1	70.3	17.2	38.6	70.3	17.2	38.6	
50	50	35.8	7.76	44.2	42.7	10.2	45.1	49.6	13.1	46.0	51.5	13.7	46.2	52.2	13.8	46.3	53.5	13.9	46.4	54.6	14.0	46.6	54.6	14.0	46.6	
	60	35.8	7.63	43.5	42.7	10.0	44.2	49.6	12.7	45.0	53.1	14.2	45.4	54.9	14.9	45.6	56.3	15.0	45.7	57.5	15.1	45.8	57.5	15.1	45.8	
	96	35.8	6.79	42.1	42.7	8.81	42.6	49.6	11.1	43.0	53.1	12.4	43.3	56.5	13.7	43.5	63.4	16.5	44.0	65.4	16.9	44.1	65.4	16.9	44.1	
55	50	35.8	6.58	41.7	42.7	8.53	42.0	49.6	10.7	42.4	53.1	11.9	42.6	56.5	13.2	42.8	63.4	16.0	43.2	66.0	16.6	43.3	66.0	16.6	43.3	
	60	35.8	8.61	49.1	42.7	8.71	49.2	49.6	12.5	49.3	53.1	13.1	49.4	57.4	14.5	47.8	51.3	12.7	48.2	52.2	12.8	48.2	52.2	12.8	48.2	
	96	35.8	8.75	48.5	42.7	9.54	48.8	49.6	12.5	48.0	49.4	12.6	48.1	50.1	12.6	48.1	51.3	12.7	48.2	52.2	12.8	48.2	52.2	12.8	48.2	
60	50	34.4	8.81	49.1	35.7	8.71	49.2	36.7	8.78	49.3	37.1	8.81	49.4	37.4	8.82	49.4	37.8	8.82	49.5	37.8	8.82	49.5	37.8	8.82	49.5	
	60	35.8	8.75	48.5	38.6	9.54	48.8	39.8	9.63	48.9	40.3	9.66	49.0	40.7	9.69	49.0	41.3	9.71	49.1	41.7	9.71	49.1	41.7	9.71	49.1	
	96	35.8	7.69	47.2	42.7	10.2	47.6	48.7	12.5	48.0	49.4	12.6	48.1	50.1	12.6	48.1	51.3	12.7	48.2	52.2	12.8	48.2	52.2	12.8	48.2	
65	50	35.8	7.47	46.7	42.7	9.80	47.1	49.6	12.5	47.5	53.1	13.9	47.7	54.8	14.5	47.8	56.2	14.6	47.8	57.3	14.7	47.9	57.3	14.7	47.9	
	60	30.69	3.19	13.2	36.6	3.99	13.9	42.5	4.90	14.5	45.5	5.38	14.9	48.4	5.90	15.2	54.4	7.00	15.9	60.3	8.20	16.5	60.3	8.20	16.5	
	96	30.69	3.13	12.7	36.6	3.92	13.2	42.5	4.81	13.8	45.5	5.29	14.0	48.4	5.79	14.3	54.4	6.87	14.9	60.3	8.05	15.4	60.3	8.05	15.4	
70	50	30.69	2.99	11.7	36.6	3.74	12.0	42.5	4.58	12.3	45.5	5.04	12.5	48.4	5.51	12.7	54.4	6.54	13.0	60.3	7.65	13.4	60.3	7.65	13.4	
	60	30.69	2.94	11.3	36.6	3.67	11.6	42.5	4.50	11.9	45.5	4.94	12.0	48.4	5.41	12.1	54.4	6.41	12.4	60.3	7.50	12.7	60.3	7.50	12.7	
	96	30.69	3.30	18.2	36.6	4.13	18.9	42.5	5.06	19.5	45.5	5.57	19.9	48.4	6.10	20.2	54.4	7.25	20.9	60.3	8.49	21.6	60.3	8.49	21.6	
75	50	30.69	3.24	17.7	36.6	4.06	18.2	42.5	4.97	18.8	45.5	5.47	19.1	48.4	5.99	19.3	54.4	7.11	19.9	60.3	8.33	20.5	60.3	8.33	20.5	
	60	30.69	3.10	16.7	36.6	3.87	17.0	42.5	4.74	17.4	45.5	5.21	17.5	48.4	5.70	17.7	54.4	6.76	18.0	60.3	7.92	18.4	60.3	7.92	18.4	
	96	30.69	3.04	16.3	36.6	3.80	16.6	42.5	4.65	16.9	45.5	5.11	17.0	48.4	5.60	17.2	54.4	6.64	17.4	60.3	7.77	17.7	60.3	7.77	17.7	
80	50	30.7	3.42	23.3	36.6	4.28	23.9	42.5	5.26	24.6	45.5	5.78	24.9	48.4	6.34	25.2	54.4	7.53	25.9	60.3	8.82	26.6	60.3	8.82	26.6	
	60	30.7	3.36	22.7	36.6	4.21	23.3	42.5	5.16	23.8	45.5	5.68	24.1	48.4	6.22	24.4	54.4	7.39	24.9	60.3	8.66	25.5	60.3	8.66	25.5	
	96	30.7	3.21	21.7	36.6	4.01	22.0	42.5	4.92	22.4	45.5	5.41	22.5	48.4	5.92	22.7	54.4	7.03	23.1	60.3	8.23	23.4	60.3	8.23	23.4	
85	50	30.7	3.15	21.3	36.6	3.94	21.6	42.5	4.83	21.9	45.5	5.31	22.0	48.4	5.81	22.2	54.4	6.89	22.4	60.3	8.07	22.7	60.3	8.07	22.7	
	60	30.7	3.97	28.3	36.6	5.00	29.0	42.5	6.15	29.7	45.5	6.78	30.0	48.4	7.44	30.3	54.4	8.85	31.0	60.3	10.4	31.8	60.3	10.4	31.8	
	96	30.7	3.91	27.8	36.6	4.91	28.3	42.5	6.04																	

4 Capacity tables

4 - 2 Cooling capacity tables

RWEYQ30PY1

TC: Total Capacity: kW ; PI: Power Input: kW (compressor + outdoor fan motor) ; OWT: Outlet Water Temperatur: °C

Combination (%)	Inlet Water Temp. (°C)	Water Volume L/min	Indoor air temperature: °CDB																																																																																								
			14.0			16.0			18.0			19.0			20.0			22.0			24.0																																																																						
			TC	PI	OWT	TC	PI	OWT	TC	PI	OWT	TC	PI	OWT	TC	PI	OWT	TC	PI	OWT	TC	PI	OWT																																																																				
130	10	50	70.3	10.4	17.7	83.8	13.9	19.3	91.6	14.7	20.2	92.9	14.8	20.3	94.2	14.8	20.4	96.3	14.9	20.6	97.9	15.0	20.8	60	70.3	10.2	16.4	83.8	13.6	17.8	92.0	14.5	18.5	93.4	14.6	18.6	94.6	14.7	18.7	96.7	14.8	18.9	98.4	14.8	19.0	96	70.3	9.72	14.0	83.8	12.92	14.8	93.2	14.1	15.3	94.5	14.2	15.4	95.8	14.3	15.5	98.0	14.4	15.6	99.7	14.4	15.7	120	70.3	9.53	13.2	83.8	12.67	13.8	93.6	14.0	14.3	95.0	14.1	14.3	96.3	14.1	14.4	98.5	14.2	14.5	100	14.3	14.6		
		15	50	70.3	10.8	22.7	83.8	14.4	24.4	90.0	15.1	25.0	91.3	15.2	25.2	92.4	15.2	25.3	94.5	15.3	25.5	96.0	15.4	25.6	60	70.3	10.6	21.4	83.8	14.1	22.8	90.4	15.0	23.4	91.7	15.0	23.5	92.9	15.1	23.6	94.9	15.2	23.8	96.5	15.2	23.9	96	70.3	10.1	19.0	83.8	13.4	19.8	91.5	14.6	20.3	92.8	14.6	20.3	94.1	14.7	20.4	96.2	14.8	20.5	97.8	14.8	20.6	120	70.3	9.87	18.2	83.8	13.1	18.9	91.9	14.4	19.2	93.3	14.5	19.3	94.5	14.5	19.3	96.6	14.6	19.4	98.3	14.7	19.5	
			20	50	70.3	11.2	27.8	83.8	15.0	29.4	87.8	15.6	29.9	89.1	15.62	30.0	90.2	15.7	30.1	92.1	15.8	30.3	93.5	15.8	30.5	60	70.3	11.0	26.5	83.8	14.7	27.8	88.3	15.4	28.3	89.5	15.5	28.4	90.7	15.5	28.5	92.6	15.6	28.6	94.0	15.7	28.7	96	70.3	10.5	24.0	83.8	13.9	24.9	89.4	15.0	25.2	90.6	15.0	25.3	91.8	15.1	25.3	93.8	15.2	25.4	95.3	15.3	25.5	120	70.3	10.3	23.2	83.8	13.6	23.9	89.8	14.8	24.2	91.1	14.9	24.2	92.3	14.9	24.3	94.3	15.0	24.4	95.8	15.1	24.4
	25			50	70.3	13.2	33.0	83.8	17.1	34.5	85.3	17.3	34.8	86.4	17.4	34.9	87.5	17.4	35.0	89.2	17.5	35.2	90.4	17.6	35.3	60	70.3	13.0	31.6	82.9	16.9	33.0	85.7	17.1	33.2	86.8	17.2	33.3	87.9	17.3	33.4	89.7	17.4	33.5	90.9	17.4	33.6	96	70.3	12.3	29.1	83.8	16.4	30.0	86.7	16.7	30.1	87.9	16.7	30.2	89.0	16.8	30.3	90.9	16.9	30.4	92.2	16.9	30.4	120	70.3	12.1	28.3	83.8	16.1	29.0	87.1	16.5	29.1	88.4	16.6	29.2	89.5	16.6	29.2	91.3	16.7	29.3	92.7	16.8	29.4
		30		50	70.3	15.7	38.2	79.6	18.9	39.4	82.1	19.0	39.7	83.2	19.1	39.8	84.2	19.2	39.9	85.7	19.3	40.0	86.7	19.3	40.1	60	70.3	15.4	36.8	79.9	18.7	37.9	82.5	18.9	38.1	83.6	18.9	38.2	84.6	19.0	38.3	86.1	19.1	38.4	87.2	19.1	38.5	96	70.3	14.6	34.2	80.9	18.2	34.9	83.6	18.3	35.1	84.7	18.4	35.1	85.7	18.5	35.2	87.3	18.6	35.3	88.4	18.6	35.3	120	70.3	14.3	33.4	81.3	18.0	34.0	84.0	18.2	34.1	85.1	18.2	34.1	86.1	18.3	34.2	87.8	18.4	34.2	88.9	18.4	34.3
			35	50	70.3	18.7	43.5	76.1	20.6	44.2	78.5	20.8	44.5	79.5	20.9	44.6	80.3	20.9	44.7	81.5	21.0	44.8	82.2	21.0	44.9	60	70.3	18.4	42.1	76.5	20.4	42.7	78.9	20.6	42.9	79.8	20.7	43.0	80.7	20.7	43.1	82.0	20.8	43.2	82.7	20.8	43.2	96	70.3	17.4	39.4	77.4	19.8	39.8	79.9	20.0	40.0	80.9	20.1	40.0	81.8	20.2	40.1	83.1	20.3	40.1	83.9	20.3	40.2	120	70.3	17.1	38.5	77.8	19.6	38.9	80.2	19.8	39.0	81.3	19.9	39.0	82.2	20.0	39.1	83.6	20.0	39.1	84.4	20.1	39.2
	40			50	57.1	15.2	46.9	58.8	15.3	47.1	59.8	15.3	47.2	60.0	15.3	47.2	60.0	15.3	47.2	59.5	15.1	47.1	58.1	14.9	47.0	60	60.1	16.4	46.1	62.1	16.6	46.3	63.4	16.6	46.4	63.8	16.6	46.4	64.0	16.6	46.4	63.8	16.5	46.4	63.0	16.3	46.3	96	68.3	18.4	44.3	70.9	18.6	44.5	73.0	18.7	44.6	73.7	18.8	44.6	74.4	18.8	44.6	75.2	18.8	44.7	75.3	18.8	44.7	120	68.9	18.1	43.5	71.6	18.3	43.6	73.6	18.4	43.7	74.4	18.5	43.7	75.1	18.5	43.7	75.9	18.5	43.8	76.2	18.5	43.8
		45		50	40.0	9.59	49.7	39.5	9.45	49.7	37.9	9.18	49.5	36.7	8.99	49.4	35.1	8.77	49.2	31.2	8.24	48.8	26.2	7.56	48.2	60	43.9	10.6	49.3	44.0	10.5	49.3	43.1	10.3	49.3	42.3	10.2	49.2	41.2	10.0	49.1	38.2	9.59	48.8	34.2	9.04	48.4	96	54.7	13.9	48.4	56.2	14.0	48.5	56.9	14.0	48.5	56.9	13.9	48.5	56.8	13.9	48.5	55.8	13.7	48.5	54.1	13.4	48.4	120	59.9	16.0	48.0	61.9	16.1	48.1	63.2	16.2	48.2	63.6	16.2	48.2	63.8	16.2	48.2	63.6	16.1	48.2	62.7	15.9	48.1
			120	10	50	64.9	9.20	17.1	77.4	12.18	18.6	89.9	14.6	20.0	91.3	14.7	20.1	92.6	14.7	20.3	94.8	14.8	20.5	96.7	14.9	20.7	60	64.9	9.02	15.9	77.4	11.95	17.1	89.9	14.4	18.3	91.8	14.5	18.5	93.0	14.6	18.6	95.3	14.7	18.8	97.1	14.8	18.9	96	64.9	8.57	13.7	77.4	11.34	14.4	89.9	14.0	15.2	92.9	14.1	15.3	94.2	14.2	15.4	96.5	14.3	15.5	98.4	14.4	15.6	120	64.9	8.41	12.9	77.4	11.12	13.5	89.9	13.8	14.1	93.3	14.0	14.3	94.6	14.0	14.3	96.9	14.2	14.4	98.9	14.2
	15				50	64.9	9.52	22.1	77.4	12.6	23.6	88.4	15.0	24.9	89.7	15.1	25.0	90.9	15.2	25.1	93.1	15.3	25.4	94.8	15.4	25.5	60	64.9	9.34	20.9	77.4	12.4	22.1	88.8	14.9	23.3	90.1	15.0	23.4	91.4	15.0	23.5	93.5	15.1	23.7	95.3	15.2	23.8	96	64.9	8.88	18.7	77.4	11.7	19.4	89.9	14.5	20.2	91.2	14.5	20.3	92.5	14.6	20.4	94.7	14.7	20.4	96.6	14.8	20.5	120	64.9	8.71	17.9	77.4	11.5	18.5	89.9	14.3	19.1	91.7	14.4	19.2	92.9	14.5	19.3	95.2	14.6	19.4	97.0	14.6
		20			50	64.9	9.89	27.1	77.4	13.1	28.6	86.3	15.5	29.7	87.6	15.5	29.9	88.8	15.6	30.0	90.8	15.7	30.2	92.5	15.8	30.3	60	64.9	9.71	25.9	77.4	12.9	27.2	86.7	15.3	28.1	88.0	15.4	28.2	89.2	15.5	28.3	91.3	15.6	28.5	92.9	15.6	28.6	96	64.9	9.22	23.7	77.4	12.2	24.5	87.8	14.9	25.1	89.1	15.0	25.2	90.3	15.0	25.2	92.4	15.1	25.4	94.2	15.2	25.4	120	64.9	9.04	22.9	77.4	12.0	23.6	88.2	14.7	24.1	89.5	14.8	24.2	90.7	14.9	24.2	92.9	15.0	24.3	94.6	15.1
				25	50	64.9	11.6	32.3	77.4	15.5	33.9	83.8	17.2	34.7	85.0	17.3	34.8	86.1	17.4	34.9	88.0	17.5	35.1	89.5	17.5	35.2	60	64.9	11.4	31.1	77.4	15.2	32.4	84.2	17.0	33.1	85.4	17.1	33.2	86.5	17.2	33.3	88.5	17.3	33.4	90.0	17.4	33.5	96	64.9	10.9	28.8	77.4	14.4	29.6	85.2	16.6	30.1	86.5	16.6	30.1	87.6	16.7	30.2	89.6	16.8	30.3	91.2	16.9	30.4	120	64.9	10.6	28.0	77.4	14.1	28.6	85.6	16.4	29.1	86.9	16.5	29.1	88.1	16.5	29.2	90.1	16.6	29.2	91.7	16.7
30	50				64.9	13.8	37.5	77.4	18.4	39.1	80.8	18.9	39.5	81.9	19.0	39.6	83.0	19.1	39.8	84.7	19.2	39.9	86.0	19.3	40.1	60	64.9	13.5	36.2	77.4	18.0	37.6	81.2	18.8	38.0	82.3	18.8	38.1	83.4	18.9	38.1	85.1	19.0	38.3	86.4	19.1	38.4	96	64.9	12.8	33.9	77.4	17.1	34.7	82.2	18.2	35.0	83.4	18.3	35.1	84.4	18.4	35.1	86.2	18.5	35.2	87.6	18.6	35.3	120	64.9	12.6	33.1	77.4	16.7	33.7	82.6	18.1	34.0	83.7	18.1	34.1	84.8	18.2	34.1	86.7	18.3	34.2	88.1	18.4	34.2
	35	50			64.9	16.4	42.8	74.8	20.5	44.1	77.2	20.7	44.4	78.3	20.8	44.5	79.2	20.9	44.6	80.7	21.0	44.7	81.7	21.0	44.8	60	64.9	16.1	41.5	75.1	20.3	42.6	77.6	20.5	42.8	78.7	20.6	42.9	79.6	20.7	43.0	81.1	20.8	43.1	82.2	20.8	43.2	96	64.9	15.3	39.0	76.1	19.7	39.8	78.6	19.9	39.9	79.7	20.0	40.0	80.6	20.1	40.0	82.2	20.2	40.1	83.3	20.3	40.2	120	64.9	15.0	38.2	76.4	19.5	38.8	78.9	19.7	38.9	80.0	19.8	39.0	81.0	19.9	39.0	82.6	20.0	39.1	83.8	20.1	39.1
		40		50	56.2	15.1	46.8	58.1	15.3	47.0	59.4	15.3	47.1	59.8	15.3	47.2	60.0	15.3	47.2	59.9	15.2	47.2	59.2	15.1	47.1	60	59.1	16.3	46.0	61.2	16.5	46.2	62.8	16.6	46.3	63.3	16.6	46.4	63.7	16.6	46.4	64.0	16.6	46.4	63.7	16.5	46.4	96	64.9	17.0	44.1																																								

4 Capacity tables

4 - 2 Cooling capacity tables

RWEYQ30PY1

TC: Total Capacity: kW ; PI: Power Input: kW (compressor + outdoor fan motor) ; OWT: Outlet Water Temperatur: °C

Combination (%)	Inlet Water Temp. (°C)	Water Volume L/min	Indoor air temperature: °CDB																																																																																								
			14.0			16.0			18.0			19.0			20.0			22.0			24.0																																																																						
			TC	PI	OWT	TC	PI	OWT	TC	PI	OWT	TC	PI	OWT	TC	PI	OWT	TC	PI	OWT	TC	PI	OWT																																																																				
100	10	50	54.1	6.96	15.8	64.5	9.11	17.0	74.9	11.55	18.3	80.1	12.89	18.9	85.3	14.3	19.5	91.2	14.7	20.1	93.3	14.8	20.3	54.1	6.84	14.9	64.5	8.94	15.8	74.9	11.33	16.9	80.1	12.64	17.4	85.3	14.0	17.9	91.7	14.5	18.5	93.7	14.6	18.6	54.1	6.50	13.0	64.5	8.49	13.6	74.9	10.76	14.3	80.1	12.00	14.6	85.3	13.3	14.9	92.8	14.1	15.3	94.9	14.2	15.4	54.1	6.38	12.4	64.5	8.33	12.9	74.9	10.55	13.4	80.1	11.76	13.7	85.3	13.0	13.9	93.2	14.0	14.3	95.4	14.1	14.4					
		15	50	54.1	7.21	20.9	64.5	9.43	22.1	74.9	12.0	23.3	80.1	13.3	23.9	85.3	14.8	24.6	89.6	15.1	25.0	91.6	15.2	25.2	54.1	7.08	19.9	64.5	9.25	20.9	74.9	11.7	21.9	80.1	13.1	22.4	85.3	14.5	23.0	90.0	15.0	23.4	92.1	15.1	23.5	54.1	6.73	18.0	64.5	8.79	18.6	74.9	11.14	19.3	80.1	12.4	19.6	85.3	13.8	19.9	91.2	14.5	20.3	93.2	14.6	20.4	54.1	6.60	17.4	64.5	8.62	17.9	74.9	10.92	18.4	80.1	12.2	18.7	85.3	13.5	18.9	91.6	14.4	19.2	93.6	14.5	19.3				
			20	50	54.1	7.48	25.9	64.5	9.80	27.1	74.9	12.4	28.3	80.1	13.9	29.0	85.3	15.4	29.6	87.5	15.5	29.8	89.4	15.6	30.0	54.1	7.35	24.9	64.5	9.61	25.9	74.9	12.2	26.9	80.1	13.6	27.5	85.3	15.1	28.0	87.9	15.4	28.2	89.9	15.5	28.4	54.1	6.99	23.0	64.5	9.13	23.7	74.9	11.6	24.3	80.1	12.9	24.6	85.3	14.3	25.0	89.0	15.0	25.2	91.0	15.1	25.3	54.1	6.86	22.4	64.5	8.96	22.9	74.9	11.4	23.4	80.1	12.7	23.7	85.3	14.0	24.0	89.4	14.8	24.2	91.4	14.9	24.2			
				25	50	54.1	8.79	31.0	64.5	11.5	32.3	74.9	14.7	33.6	80.1	16.4	34.2	82.8	17.1	34.6	84.9	17.3	34.8	86.8	17.4	35.0	54.1	8.63	30.0	64.5	11.3	31.0	74.9	14.4	32.1	80.1	16.1	32.7	83.2	17.0	33.0	85.3	17.1	33.2	87.2	17.2	33.2	54.1	8.20	28.1	64.5	10.8	28.7	74.9	13.7	29.4	80.1	15.2	29.7	84.2	16.5	30.0	86.4	16.6	30.1	88.3	16.7	30.2	54.1	8.05	27.5	64.5	10.5	28.0	74.9	13.4	28.5	80.1	14.9	28.8	84.6	16.3	29.0	86.8	16.5	29.1	88.7	16.6	29.2		
	30				50	54.1	10.4	36.2	64.5	13.6	37.5	74.9	17.4	38.8	78.8	18.8	39.3	79.9	18.9	39.4	81.9	19.0	39.6	83.5	19.1	39.8	54.1	10.2	35.1	64.5	13.4	36.2	74.9	17.1	37.3	79.1	18.6	37.8	80.2	18.7	37.9	82.2	18.8	38.0	83.9	19.0	38.2	54.1	9.67	33.2	64.5	12.7	33.8	74.9	16.2	34.5	80.1	18.1	34.9	81.2	18.2	34.9	83.3	18.3	35.1	85.0	18.4	35.1	54.1	9.48	32.5	64.5	12.5	33.1	74.9	15.9	33.6	80.1	17.7	33.9	81.6	18.0	34.0	83.7	18.1	34.1	85.4	18.2	34.1		
		35			50	54.1	12.3	41.3	64.5	16.3	42.7	74.2	20.4	44.0	75.4	20.5	44.2	76.4	20.6	44.3	78.2	20.8	44.5	79.7	20.9	44.6	54.1	12.1	40.3	64.5	16.0	41.4	74.6	20.2	42.6	75.7	20.3	42.6	76.8	20.4	42.7	78.6	20.6	42.9	80.1	20.7	43.0	54.1	11.5	38.3	64.5	15.2	39.0	74.9	19.4	39.7	76.6	19.8	39.8	77.7	19.9	39.9	79.6	20.0	40.0	81.2	20.1	40.0	54.1	11.3	37.6	64.5	14.9	38.2	74.9	19.0	38.7	77.0	19.6	38.8	78.1	19.7	38.9	80.0	19.8	39.0	81.6	19.9	39.0		
			40		50	54.0	14.9	46.6	56.1	15.1	46.8	57.8	15.2	47.0	58.4	15.3	47.0	58.4	15.3	47.1	59.7	15.3	47.2	60.0	15.3	47.2	54.1	14.6	45.5	59.0	16.3	46.0	60.9	16.5	46.2	61.6	16.5	46.2	62.3	16.6	46.3	63.3	16.6	46.4	63.9	16.6	46.4	54.1	12.7	43.3	64.5	16.9	44.0	69.3	18.4	44.4	70.3	18.5	44.4	71.2	18.6	44.5	72.7	18.7	44.6	73.9	18.8	44.6	54.1	12.3	42.6	64.5	16.3	43.2	69.9	18.1	43.5	70.9	18.2	43.5	71.8	18.3	43.6	73.4	18.4	43.7	74.6	18.5	43.7		
				45	50	39.0	9.58	49.6	39.8	9.61	49.7	39.9	9.56	49.7	39.8	9.50	49.7	39.4	9.43	49.7	38.2	9.22	49.5	36.3	8.93	49.3	60	42.3	10.5	49.2	43.5	10.6	49.3	44.0	10.6	49.3	44.1	10.5	49.4	44.0	10.5	49.3	43.3	10.4	49.3	42.0	10.1	49.2	96	51.8	13.7	48.3	53.8	13.8	48.4	55.3	13.9	48.4	55.8	14.0	48.5	56.3	14.0	48.5	56.8	14.0	48.5	56.9	13.9	48.5	120	54.1	14.3	47.7	58.8	15.9	48.0	60.7	16.0	48.1	61.5	16.1	48.1	62.1	16.1	48.1	63.1	16.2	48.2	63.6	16.2
	10				50	48.7	5.97	15.2	58.0	7.75	16.3	67.4	9.77	17.4	72.1	10.87	17.9	76.8	12.03	18.5	86.2	14.4	19.6	91.2	14.7	20.1	60	48.7	5.86	14.3	58.0	7.60	15.2	67.4	9.58	16.1	72.1	10.66	16.6	76.8	11.80	17.1	86.2	14.2	18.0	91.6	14.5	18.5	96	48.7	5.58	12.7	58.0	7.23	13.2	67.4	9.10	13.8	72.1	10.12	14.1	76.8	11.20	14.4	86.2	13.5	15.0	92.8	14.1	15.3	120	48.7	5.48	12.2	58.0	7.09	12.6	67.4	8.93	13.0	72.1	9.93	13.3	76.8	10.98	13.5	86.2	13.3	14.0	93.2	14.0
		15			50	48.7	6.18	20.2	58.0	8.02	21.3	67.4	10.11	22.4	72.1	11.25	23.0	76.8	12.5	23.5	86.2	14.9	24.7	89.6	15.1	25.0	60	48.7	6.07	19.4	58.0	7.87	20.2	67.4	9.92	21.2	72.1	11.04	21.6	76.8	12.2	22.1	86.2	14.7	23.0	90.0	14.9	23.4	96	48.7	5.77	17.7	58.0	7.48	18.3	67.4	9.42	18.8	72.1	10.48	19.1	76.8	11.6	19.4	86.2	14.0	20.0	91.1	14.5	20.3	120	48.7	5.67	17.2	58.0	7.34	17.6	67.4	9.24	18.1	72.1	10.28	18.3	76.8	11.4	18.5	86.2	13.7	19.0	91.5	14.4
			20		50	48.7	6.41	25.3	58.0	8.33	26.3	67.4	10.5	27.4	72.1	11.7	28.0	76.8	12.9	28.6	85.5	15.4	29.6	87.5	15.5	29.8	60	48.7	6.30	24.4	58.0	8.17	25.3	67.4	10.3	26.2	72.1	11.5	26.7	76.8	12.7	27.1	85.9	15.3	28.1	87.9	15.4	28.2	96	48.7	5.99	22.7	58.0	7.77	23.3	67.4	9.79	23.8	72.1	10.9	24.1	76.8	12.1	24.4	86.2	14.6	25.0	89.0	15.0	25.2	120	48.7	5.88	22.2	58.0	7.62	22.6	67.4	9.60	23.1	72.1	10.7	23.3	76.8	11.8	23.5	86.2	14.3	24.0	89.4	14.8
				25	50	48.7	7.52	30.4	58.0	9.79	31.5	67.4	12.4	32.6	72.1	13.8	33.2	76.8	15.3	33.8	83.0	17.1	34.6	84.9	17.3	34.8	60	48.7	7.38	29.5	58.0	9.61	30.4	67.4	12.1	31.3	72.1	13.5	31.8	76.8	15.0	32.3	83.4	17.0	33.0	85.3	17.1	33.2	96	48.7	7.02	27.8	58.0	9.13	28.3	67.4	11.5	28.9	72.1	12.8	29.2	76.8	14.2	29.5	84.4	16.5	30.0	86.4	16.6	30.1	120	48.7	6.89	27.2	58.0	8.96	27.7	67.4	11.3	28.1	72.1	12.6	28.4	76.8	13.9	28.6	84.8	16.3	29.0	86.8	16.5
30	50				48.7	8.84	35.5	58.0	11.6	36.7	67.4	14.7	37.8	72.1	16.3	38.5	76.8	18.1	39.1	80.0	18.9	39.5	81.8	19.0	39.6	60	48.7	8.68	34.6	58.0	11.3	35.5	67.4	14.4	36.5	72.1	16.0	37.0	76.8	17.8	37.5	80.4	18.7	37.9	82.2	18.8	38.0	96	48.7	8.26	32.8	58.0	10.8	33.4	67.4	13.6	34.0	72.1	15.2	34.3	76.8	16.9	34.7	81.4	18.2	35.0	83.2	18.3	35.1	120	48.7	8.10	32.3	58.0	10.6	32.7	67.4	13.4	33.2	72.1	14.9	33.5	76.8	16.5	33.7	81.8	18.0	34.0	83.6	18.1	34.1
	35	50			48.7	10.5	40.7	58.0	13.8	41.9	67.4	17.5	43.1	72.1	19.5	43.8	74.7	20.5	44.1	76.6	20.6	44.3	78.2	20.8	44.5	60	48.7	10.3	39.7	58.0	13.5	40.7	67.4	17.2	41.7	72.1	19.2	42.3	75.0	20.3	42.6	76.9	20.4	42.6	78.6	20.6	42.9	96	48.7	9.78	37.9	58.0	12.8	38.5	67.4	16.3	39.2	72.1	18.2	39.5	75.9	19.7	39.8	77.9	19.9	39.9	79.6	20.0	40.0	120	48.7	9.60	37.3	58.0	12.6	37.8	67.4	16.0	38.3	72.1	17.8	38.6	76.3	19.5	38.8	78.2	19.7	38.9	79.9	19.8	39.0
		40	50		48.7	12.6	45.9	54.9	15.0	46.7	56.6	15.2	46.9	57.4	15.2	46.9	58.0	15.3	47.0	59.1	15.3	47.1	59.7	15.3	47.2	60	48.7	12.3	44.9	57.6	16.2	45.9	59.6	16.4	46.0	60.4	16.4	46.1	61.1	16.5	46.2	62.4	16.6	46.3	63.3	16.6	46.4	96	48.7	10.8	43.0	58.0	14.2	43.6	67.4	18.2	44.3	68.7	18.4	44.3	69.6	18.5	44.4	71.3	18.6	44.5	72.7	18.7</																							

4 Capacity tables

4 - 2 Cooling capacity tables

RWEYQ30PY1		TC: Total Capacity: kW ; PI: Power Input: kW (compressor + outdoor fan motor) ; OWT: Outlet Water Temperatur: °C																								
Combination (%)	Inlet Water Temp. (°C)	Water Volume L/min	Indoor air temperature: °CDB																							
			14.0			16.0			18.0			19.0			21.0			22.0			24.0					
			TC	PI	OWT	TC	PI	OWT	TC	PI	OWT	TC	PI	OWT	TC	PI	OWT	TC	PI	OWT	TC	PI	OWT			
70	10	50	37.8	4.22	14.0	45.1	5.36	14.8	52.4	6.65	15.6	56.1	7.35	16.1	59.7	8.09	16.5	67.0	9.67	17.3	74.3	11.41	18.2			
		60	37.8	4.15	13.3	45.1	5.27	14.0	52.4	6.53	14.7	56.1	7.22	15.0	59.7	7.94	15.4	67.0	9.49	16.1	74.3	11.19	16.8			
		96	37.8	3.96	12.1	45.1	5.02	12.5	52.4	6.22	12.9	56.1	6.87	13.1	59.7	7.55	13.3	67.0	9.02	13.8	74.3	10.62	14.2			
		120	37.8	3.89	11.7	45.1	4.93	12.0	52.4	6.10	12.3	56.1	6.74	12.5	59.7	7.41	12.7	67.0	8.84	13.0	74.3	10.42	13.4			
	15	50	37.8	4.37	19.0	45.1	5.55	19.8	52.4	6.89	20.7	56.1	7.61	21.1	59.7	8.37	21.5	67.0	10.02	22.4	74.3	11.8	23.2			
		60	37.8	4.29	18.4	45.1	5.45	19.0	52.4	6.76	19.7	56.1	7.47	20.1	59.7	8.22	20.4	67.0	9.83	21.1	74.3	11.6	21.8			
		96	37.8	4.09	17.1	45.1	5.19	17.5	52.4	6.43	17.9	56.1	7.11	18.1	59.7	7.81	18.4	67.0	9.34	18.8	74.3	11.00	19.2			
		120	37.8	4.02	16.7	45.1	5.10	17.0	52.4	6.31	17.3	56.1	6.97	17.5	59.7	7.67	17.7	67.0	9.16	18.0	74.3	10.78	18.4			
	20	50	37.8	4.53	24.0	45.1	5.76	24.9	52.4	7.15	25.7	56.1	7.91	26.1	59.7	8.70	26.5	67.0	10.4	27.4	74.3	12.3	28.3			
		60	37.8	4.45	23.4	45.1	5.66	24.0	52.4	7.02	24.7	56.1	7.76	25.1	59.7	8.54	25.4	67.0	10.2	26.1	74.3	12.0	26.9			
		96	37.8	4.25	22.1	45.1	5.39	22.5	52.4	6.68	22.9	56.1	7.38	23.2	59.7	8.12	23.4	67.0	9.70	23.8	74.3	11.4	24.3			
		120	37.8	4.17	21.7	45.1	5.29	22.0	52.4	6.56	22.3	56.1	7.24	22.5	59.7	7.96	22.7	67.0	9.51	23.0	74.3	11.2	23.4			
25	50	37.8	5.29	29.1	45.1	6.74	30.0	52.4	8.39	30.8	56.1	9.29	31.2	59.7	10.2	31.7	67.0	12.3	32.6	74.3	14.5	33.5				
	60	37.8	5.19	28.4	45.1	6.62	29.1	52.4	8.24	29.8	56.1	9.12	30.2	59.7	10.0	30.6	67.0	12.0	31.3	74.3	14.2	32.0				
	96	37.8	4.95	27.1	45.1	6.31	27.6	52.4	7.84	28.0	56.1	8.67	28.2	59.7	9.54	28.4	67.0	11.4	28.9	74.3	13.5	29.4				
	120	37.8	4.86	26.7	45.1	6.19	27.0	52.4	7.69	27.4	56.1	8.50	27.6	59.7	9.36	27.8	67.0	11.2	28.1	74.3	13.2	28.5				
30	50	37.8	6.18	34.2	45.1	7.92	35.1	52.4	9.89	36.0	56.1	11.0	36.4	59.7	12.1	36.9	67.0	14.5	37.8	74.3	17.2	38.7				
	60	37.8	6.07	33.5	45.1	7.78	34.2	52.4	9.71	34.9	56.1	10.8	35.3	59.7	11.9	35.7	67.0	14.2	36.5	74.3	16.8	37.3				
	96	37.8	5.79	32.2	45.1	7.40	32.6	52.4	9.23	33.1	56.1	10.2	33.3	59.7	11.3	33.5	67.0	13.5	34.0	74.3	16.0	34.5				
	120	37.8	5.68	31.7	45.1	7.27	32.1	52.4	9.05	32.4	56.1	10.0	32.6	59.7	11.1	32.8	67.0	13.3	33.2	74.3	15.7	33.6				
35	50	37.8	7.28	39.3	45.1	9.37	40.2	52.4	11.7	41.1	56.1	13.0	41.6	59.7	14.4	42.1	67.0	17.3	43.1	74.3	20.4	44.0				
	60	37.8	7.15	38.6	45.1	9.20	39.3	52.4	11.5	40.1	56.1	12.8	40.5	59.7	14.1	40.9	67.0	17.0	41.7	74.3	20.1	42.5				
	96	37.8	6.81	37.2	45.1	8.75	37.7	52.4	11.0	38.2	56.1	12.2	38.4	59.7	13.4	38.6	67.0	16.1	39.1	74.3	19.1	39.6				
	120	37.8	6.69	36.8	45.1	8.59	37.1	52.4	10.7	37.5	56.1	11.9	37.7	59.7	13.2	37.9	67.0	15.8	38.3	74.3	18.7	38.7				
40	50	37.8	8.45	44.4	45.1	11.1	45.4	52.4	14.2	46.4	54.4	15.0	46.6	55.2	15.0	46.7	56.6	15.1	46.9	57.7	15.2	47.0				
	60	37.8	8.31	43.7	45.1	10.9	44.5	52.4	13.9	45.3	56.1	15.5	45.7	58.0	16.2	45.9	59.5	16.4	46.0	60.8	16.5	46.4				
	96	37.8	7.40	42.3	45.1	9.59	42.7	52.4	12.1	43.2	56.1	13.5	43.5	59.7	14.9	43.7	67.0	18.0	44.2	69.2	18.4	44.1				
	120	37.8	7.17	41.8	45.1	9.29	42.2	52.4	11.7	42.6	56.1	13.0	42.8	59.7	14.4	43.0	67.0	17.4	43.4	69.7	18.1	43.5				
45	50	36.4	9.38	49.4	37.7	9.49	49.5	36.8	9.57	49.6	39.2	9.59	49.7	39.5	9.60	49.7	39.9	9.60	49.7	40.0	9.56	49.7				
	60	37.8	9.53	48.8	40.8	10.4	49.1	42.0	10.5	49.2	42.6	10.5	49.2	43.0	10.6	49.3	43.7	10.6	49.3	44.0	10.6	49.3				
	96	37.8	8.37	47.3	45.1	11.1	47.8	51.4	13.6	48.2	52.2	13.7	48.3	52.9	13.8	48.3	54.2	13.9	48.4	55.2	13.9	48.4				
	120	37.8	8.13	46.8	45.1	10.7	47.2	52.4	13.6	47.6	56.1	15.2	47.8	57.9	15.8	47.9	59.3	15.9	48.0	60.6	16.0	48.1				
60	10	50	32.44	3.47	13.4	38.7	4.35	14.1	44.9	5.33	14.8	48.1	5.86	15.2	51.2	6.42	15.5	57.4	7.63	16.2	63.7	8.93	16.9			
		60	32.44	3.41	12.9	38.7	4.27	13.4	44.9	5.24	14.0	48.1	5.76	14.3	51.2	6.31	14.6	57.4	7.49	15.2	63.7	8.77	15.8			
		96	32.44	3.26	11.8	38.7	4.07	12.1	44.9	4.99	12.5	48.1	5.48	12.7	51.2	6.00	12.8	57.4	7.12	13.2	63.7	8.33	13.6			
		120	32.44	3.20	11.4	38.7	4.00	11.7	44.9	4.90	12.0	48.1	5.38	12.1	51.2	5.89	12.3	57.4	6.98	12.6	63.7	8.17	12.9			
	15	50	32.44	3.59	18.4	38.7	4.50	19.1	44.9	5.52	19.8	48.1	6.07	20.2	51.2	6.65	20.5	57.4	7.89	21.2	63.7	9.25	22.0			
		60	32.44	3.53	17.9	38.7	4.42	18.4	44.9	5.42	19.0	48.1	5.96	19.3	51.2	6.53	19.6	57.4	7.75	20.2	63.7	9.08	20.8			
		96	32.44	3.37	16.8	38.7	4.21	17.1	44.9	5.16	17.5	48.1	5.67	17.7	51.2	6.21	17.9	57.4	7.37	18.2	63.7	8.62	18.6			
		120	32.44	3.31	16.4	38.7	4.14	16.7	44.9	5.07	17.0	48.1	5.57	17.1	51.2	6.10	17.3	57.4	7.23	17.6	63.7	8.46	17.9			
	20	50	32.4	3.72	23.5	38.7	4.66	24.1	44.9	5.73	24.8	48.1	6.30	25.2	51.2	6.90	25.6	57.4	8.20	26.3	63.7	9.61	27.0			
		60	32.4	3.66	22.9	38.7	4.58	23.4	44.9	5.62	24.0	48.1	6.19	24.3	51.2	6.78	24.6	57.4	8.05	25.2	63.7	9.43	25.8			
		96	32.4	3.49	21.8	38.7	4.37	22.1	44.9	5.36	22.5	48.1	5.89	22.7	51.2	6.45	22.9	57.4	7.65	23.2	63.7	8.96	23.6			
		120	32.4	3.43	21.4	38.7	4.29	21.7	44.9	5.26	22.0	48.1	5.78	22.1	51.2	6.33	22.3	57.4	7.51	22.6	63.7	8.79	22.9			
25	50	32.4	4.33	28.5	38.7	5.44	29.2	44.9	6.70	29.9	48.1	7.38	30.3	51.2	8.10	30.7	57.4	9.64	31.4	63.7	11.3	32.2				
	60	32.4	4.25	27.9	38.7	5.35	28.5	44.9	6.58	29.1	48.1	7.25	29.4	51.2	7.95	29.7	57.4	9.46	30.3	63.7	11.1	31.0				
	96	32.4	4.06	26.8	38.7	5.10	27.2	44.9	6.27	27.5	48.1	6.90	27.7	51.2	7.56	27.9	57.4	8.99	28.3	63.7	10.5	28.7				
	120	32.4	3.99	26.5	38.7	5.01	26.7	44.9	6.15	27.0	48.1	6.77	27.2	51.2	7.42	27.3	57.4	8.82	27.6	63.7	10.3	27.9				
30	50	32.4	5.04	33.6	38.7	6.37	34.3	44.9	7.87	35.0	48.1	8.68	35.4	51.2	9.54	35.8	57.4	11.4	36.6	63.7	13.4	37.4				
	60	32.4	4.96	33.0	38.7	6.26	33.6	44.9	7.73	34.2	48.1	8.52	34.5	51.2	9.36	34.8	57.4	11.2	35.5	63.7	13.1	36.1				
	96	32.4	4.73	31.9	38.7	5.97	32.2	44.9	7.36	32.6	48.1	8.11	32.8	51.2	8.90	33.0	57.4	10.6	33.4	63.7	12.5	33.8				
	120	32.4	4.65	31.5	38.7	5.86	31.8	44.9	7.22	32.1	48.1	7.96	32.2	51.2	8.74	32.4	57.4	10.4	32.7	63.7	12.2	33.0				
35	50	32.4	5.91	38.7	38.7	7.51	39.4	44.9	9.31	40.2	48.1	10.3	40.6	51.2	11.3	41.0	57.4	13.5	41.8	63.7	16.0	42.6				
	60	32.4	5.81	38.0	38.7	7.37	38.7	44.9	9.14	39.3	48.1	10.1	39.6	51.2	11.1	40.0	57.4	13.3	40.6	63.7	15.7	41.3				
	96	32.4	5.54	36.9	38.7	7.02	37.3	44.9	8.70	37.7	48.1	9.61	37.9	51.2	10.6	38.1	57.4	12.6	38.5	63.7	14.9	38.9				
	120	32.4	5.44	36.5	38.7	6.90	36.8	44.9	8.53	37.1	48.1	9.42	37.3	51.2	10.4	37.5	57.4	12.4	37.8	63.7	14.6	38.1				
40	50	32.4	6.70	43.7	38.7	8.74	44.5	44.9	11.1	45.4	48.1	12.3	45.8	51.2	13.7	46.2	54.7	15.0	46.7	56.0						

4 Capacity tables

4 - 3 Heating capacity tables

RWEYQ8PY1

TC: Total Capacity: kW ; PI: Power Input: kW (compressor + outdoor fan motor) ; OWT: Outlet Water Temperatur: °C

Combination (%)	Inlet Water Temp. (°C)	Water Volume L/min	Indoor air temperature: °CDB																	
			16.0			18.0			20.0			21.0			22.0			24.0		
			TC	PI	OWT	TC	PI	OWT	TC	PI	OWT	TC	PI	OWT	TC	PI	OWT	TC	PI	OWT
130	10	50	11.7	2.73	7.42	12.2	2.51	7.21	12.7	2.32	7.04	12.8	2.24	6.96	13.0	2.17	6.90	13.3	2.07	6.79
		60	14.6	2.73	7.17	14.9	2.58	7.05	15.2	2.47	6.96	15.3	2.43	6.93	15.4	2.40	6.89	15.5	2.36	6.85
		96	20.2	3.23	7.47	20.3	3.22	7.45	20.3	3.25	7.45	20.3	3.28	7.45	20.3	3.31	7.46	20.2	3.39	7.48
	15	50	21.2	3.32	9.86	21.3	3.34	9.85	21.3	3.38	9.87	21.3	3.42	9.88	21.2	3.46	9.90	21.1	3.56	9.96
		60	21.9	3.33	10.6	21.9	3.36	10.6	21.9	3.41	10.6	21.8	3.45	10.6	21.8	3.50	10.6	21.7	3.61	10.7
		96	23.4	3.37	12.0	23.4	3.43	12.0	23.3	3.51	12.0	23.3	3.56	12.1	23.2	3.61	12.1	23.1	3.74	12.1
	20	50	25.4	3.47	13.7	25.4	3.55	13.8	25.2	3.66	13.8	25.2	3.71	13.9	25.1	3.78	13.9	24.9	3.92	14.0
		60	25.6	3.48	14.7	25.5	3.57	14.8	25.4	3.67	14.8	25.3	3.73	14.8	25.2	3.79	14.9	25.0	3.93	15.0
		96	26.1	3.51	16.6	26.0	3.60	16.7	25.8	3.70	16.7	25.7	3.76	16.7	25.7	3.83	16.7	25.4	3.97	16.8
	25	50	28.0	3.64	18.0	27.9	3.75	18.1	27.7	3.87	18.2	27.6	3.93	18.2	27.5	4.00	18.3	27.2	4.15	18.4
		60	28.2	3.66	19.1	28.1	3.76	19.2	27.9	3.88	19.3	27.8	3.95	19.3	27.6	4.02	19.4	27.4	4.17	19.5
		96	28.7	3.69	21.3	28.5	3.80	21.3	28.3	3.92	21.4	28.2	3.99	21.4	28.1	4.06	21.4	27.8	4.21	21.5
30	50	30.6	3.84	22.3	30.4	3.95	22.4	30.1	4.08	22.5	30.0	4.16	22.6	29.9	4.23	22.7	28.3	3.96	23.0	
	60	30.8	3.85	23.6	30.6	3.97	23.6	30.3	4.10	23.7	30.2	4.17	23.8	30.0	4.25	23.8	28.3	3.91	24.2	
	96	31.3	3.89	25.9	31.1	4.01	26.0	30.8	4.14	26.0	30.7	4.22	26.0	30.4	4.25	26.1	28.3	3.80	26.3	
35	50	33.1	4.04	26.7	32.9	4.17	26.8	32.5	4.28	26.9	31.8	4.07	27.1	30.4	3.86	27.4	28.3	3.47	27.9	
	60	33.3	4.06	28.0	33.1	4.18	28.1	32.5	4.23	28.2	31.5	4.02	28.4	30.4	3.82	28.6	28.3	3.43	29.1	
	96	33.9	4.10	30.6	33.6	4.23	30.6	32.5	4.11	30.8	31.5	3.91	30.9	30.4	3.71	31.0	28.3	3.34	31.3	
40	50	35.7	4.25	31.0	34.6	4.15	31.3	32.5	4.11	31.9	31.5	3.91	32.1	30.4	3.72	32.3	28.3	3.35	32.8	
	60	35.9	4.27	32.4	34.6	4.11	32.7	32.5	4.07	33.2	31.5	3.87	33.4	30.4	3.68	33.6	28.3	3.31	34.0	
	96	36.5	4.31	35.2	34.6	3.99	35.4	32.5	3.96	35.7	31.5	3.77	35.9	30.4	3.58	36.0	28.3	3.23	36.3	
45	50	36.7	4.22	35.7	34.6	4.05	36.2	32.5	3.97	36.8	31.5	3.78	37.1	30.4	3.60	37.3	28.3	3.25	37.8	
	60	36.7	4.17	37.2	34.6	4.00	37.7	32.5	3.93	38.2	31.5	3.74	38.4	30.4	3.56	38.6	28.3	3.21	39.0	
	96	36.7	4.06	40.1	34.6	3.89	40.4	32.5	3.82	40.7	31.5	3.64	40.8	30.4	3.47	41.0	28.3	3.13	41.2	
120	10	50	12.4	2.44	7.15	12.8	2.28	7.00	13.1	2.15	6.87	13.2	2.10	6.82	13.3	2.06	6.78	13.5	2.00	6.71
		60	15.0	2.54	7.02	15.3	2.45	6.94	15.4	2.39	6.88	15.5	2.37	6.86	15.6	2.36	6.85	15.6	2.36	6.83
		96	20.3	3.23	7.45	20.3	3.26	7.45	20.3	3.32	7.47	20.3	3.36	7.48	20.2	3.40	7.49	20.1	3.51	7.52
	15	50	21.3	3.35	9.86	21.3	3.40	9.88	21.2	3.48	9.91	21.2	3.52	9.94	21.1	3.57	9.97	21.0	3.70	10.04
		60	21.9	3.37	10.6	21.8	3.43	10.6	21.8	3.52	10.6	21.7	3.57	10.7	21.7	3.62	10.7	21.5	3.75	10.8
		96	23.4	3.46	12.0	23.3	3.54	12.1	23.2	3.64	12.1	23.1	3.69	12.1	23.0	3.76	12.1	22.8	3.89	12.2
	20	50	25.3	3.59	13.8	25.2	3.69	13.8	25.0	3.80	13.9	24.9	3.87	14.0	24.8	3.93	14.0	24.6	4.08	14.1
		60	25.5	3.60	14.8	25.4	3.70	14.8	25.2	3.82	14.9	25.1	3.88	14.9	25.0	3.95	15.0	24.8	4.10	15.1
		96	25.9	3.63	16.7	25.8	3.74	16.7	25.6	3.86	16.8	25.5	3.92	16.8	25.4	3.99	16.8	25.2	4.14	16.9
	25	50	27.8	3.79	18.1	27.6	3.90	18.2	27.4	4.03	18.3	27.3	4.10	18.4	27.2	4.17	18.4	26.1	4.04	18.7
		60	28.0	3.80	19.2	27.8	3.92	19.3	27.6	4.05	19.4	27.5	4.12	19.4	27.3	4.19	19.5	26.1	4.00	19.7
		96	28.5	3.84	21.3	28.3	3.96	21.4	28.0	4.09	21.4	27.9	4.16	21.5	27.8	4.23	21.5	26.1	3.89	21.7
30	50	30.3	4.00	22.5	30.1	4.12	22.6	29.8	4.26	22.7	29.0	4.11	22.9	28.1	3.90	23.1	26.1	3.50	23.5	
	60	30.5	4.01	23.7	30.3	4.14	23.8	30.0	4.28	23.9	29.0	4.07	24.0	28.1	3.86	24.2	26.1	3.46	24.6	
	96	31.0	4.06	26.0	30.7	4.18	26.0	30.0	4.16	26.1	29.0	3.95	26.3	28.1	3.75	26.4	26.1	3.37	26.6	
35	50	32.8	4.21	26.8	31.9	4.16	27.0	30.0	4.28	27.5	29.0	3.92	27.0	28.1	3.72	27.1	26.1	3.34	27.3	
	60	33.0	4.23	28.1	31.9	4.12	28.4	30.0	4.37	28.7	29.0	3.56	28.9	28.1	3.38	29.1	26.1	3.05	29.5	
	96	33.5	4.28	30.6	31.9	4.00	30.8	30.0	3.84	31.1	29.0	3.46	31.2	28.1	3.29	31.3	26.1	2.96	31.5	
40	50	33.9	4.29	31.5	31.9	3.96	31.7	30.0	3.80	31.8	29.0	3.43	31.9	28.1	3.26	32.0	26.1	2.94	32.2	
	60	33.9	4.02	31.4	31.9	4.00	32.0	30.0	3.65	32.4	29.0	3.47	32.7	28.1	3.30	32.9	26.1	2.98	33.4	
	96	33.9	3.97	32.9	31.9	3.96	33.3	30.0	3.61	33.7	29.0	3.44	33.9	28.1	3.27	34.1	26.1	2.95	34.5	
45	50	33.9	3.86	35.5	31.9	3.85	35.8	30.0	3.51	36.0	29.0	3.34	36.2	28.1	3.18	36.3	26.1	2.88	36.5	
	60	33.9	3.83	36.4	31.9	3.82	36.6	30.0	3.48	36.8	29.0	3.32	36.9	28.1	3.16	37.0	26.1	2.85	37.2	
	96	33.9	3.92	36.4	31.9	3.86	37.0	30.0	3.53	37.4	29.0	3.36	37.6	28.1	3.21	37.9	26.1	2.90	38.3	
110	10	50	12.9	2.21	6.93	13.2	2.11	6.83	13.4	2.03	6.75	13.4	2.01	6.72	13.5	1.99	6.70	13.6	1.97	6.66
		60	15.3	2.42	6.91	15.5	2.37	6.87	15.6	2.36	6.84	15.6	2.36	6.83	15.6	2.37	6.83	15.6	2.40	6.84
		96	20.3	3.29	7.46	20.3	3.35	7.47	20.2	3.43	7.50	20.2	3.48	7.51	20.1	3.54	7.53	19.9	3.67	7.57
	15	50	21.3	3.47	7.87	21.2	3.55	7.89	21.1	3.65	7.91	21.1	3.71	7.93	21.0	3.77	7.94	20.8	3.91	7.98
		60	21.3	3.43	9.89	21.2	3.51	9.93	21.1	3.61	9.99	21.0	3.66	10.02	21.0	3.73	10.06	20.8	3.86	10.15
		96	21.8	3.47	10.6	21.7	3.55	10.7	21.6	3.66	10.7	21.5	3.72	10.7	21.5	3.78	10.8	21.3	3.92	10.9
	20	50	25.3	3.58	12.1	25.1	3.68	12.1	25.0	3.79	12.1	24.9	3.86	12.2	24.8	3.93	12.2	24.6	4.08	12.2
		60	25.8	3.62	12.6	25.6	3.73	12.6	25.5	3.85	12.7	25.4	3.91	12.7	25.3	3.98	12.7	25.1	4.13	12.7
		96	25.1	3.74	13.9	25.0	3.85	14.0	24.8	3.98	14.0	24.7	4.05	14.1	24.5	4.12	14.1	24.0	4.13	14.3
	25	50	25.3	3.75	14.9	25.1	3.87	14.9	24.9	3.99	15.0	24.8	4.06	15.0	24.7	4.13	15.1	24.0	4.09	15.3
		60	25.7	3.79	16.7	25.5	3.91	16.8	25.3	4.03	16.8	25.2	4.10	16.8	25.1	4.18	16.9	24.0	3.97	17.0
		96	25.8	3.80	17.4	25.7	3.92	17.4	25.5	4.05	17.4	25.4	4.12	17.5	25.2	4.19	17.5	24.0	3.93	17.6
30	50	27.5	3.96	18.2	27.3	4.08	18.3	27.1	4.22	18.4	26.6	4.16	18.6	25.7	3.94	18.8	24.0	3.54	19.1	
	60	27.7	3.98	19.3	27.5	4.10	19.4	27.3	4.23	19.5	26.6	4.11	19.6	25.7	3.90	19.8	24.0	3.50	20.1	
	96	28.2	4.02	21.4	27.9	4.14	21.4	27.5	4.20	21.5	26.6	3.99	21.6	25.7	3.79	21.7	24.0	3.40	21.9	
35	50	28.3	4.03	22.1	28.1	4.16	22.1	27.5	4.16	22.2	26.6	3.96	22.3	25.7	3.76	22.4	24.0	3.37	22.5	
	60	29.9	4.18	22.6	29.3	4.16	22.8	27.5	3.78	23.2	26.6	3.60	23.4	25.7	3.42	23.6	24.0	3.08	24.0	
	96	30.1																		

4 Capacity tables

4 - 3 Heating capacity tables

RWEYQ8PY1										TC: Total Capacity: kW ; PI: Power Input: kW (compressor + outdoor fan motor) ; OWT: Outlet Water Temperatur: °C											
Combination (%)	Inlet Water Temp. (°C)	Water Volume L/min	Indoor air temperature: °CDB																		
			16.0			18.0			20.0			21.0			22.0			24.0			
			TC kW	PI kW	OWT °C	TC kW	PI kW	OWT °C	TC kW	PI kW	OWT °C	TC kW	PI kW	OWT °C	TC kW	PI kW	OWT °C	TC kW	PI kW	OWT °C	
100	10	50	13.3	2.06	6.78	13.4	2.01	6.72	13.6	1.98	6.68	13.6	1.97	6.67	13.6	1.97	6.66	13.7	1.99	6.65	
		60	15.5	2.36	6.85	15.6	2.36	6.83	15.6	2.38	6.83	15.6	2.39	6.84	15.6	2.42	6.85	15.6	2.48	6.87	
		96	20.2	3.40	7.49	20.2	3.48	7.51	20.0	3.59	7.54	20.0	3.65	7.56	19.9	3.71	7.58	19.7	3.85	7.63	
		120	21.2	3.61	7.90	21.1	3.71	7.93	20.9	3.83	7.96	20.9	3.89	7.97	20.8	3.96	7.99	20.6	4.11	8.03	
	15	50	21.1	3.57	9.97	21.0	3.67	10.02	20.9	3.78	10.10	20.8	3.84	10.14	20.7	3.91	10.18	20.5	4.06	10.28	
		60	21.7	3.61	10.7	21.5	3.72	10.7	21.4	3.84	10.8	21.3	3.90	10.8	21.2	3.97	10.9	21.0	4.12	11.0	
		96	23.0	3.75	12.1	22.9	3.86	12.2	22.7	3.99	12.2	22.6	4.06	12.2	22.5	4.13	12.3	21.8	4.05	12.4	
		120	23.5	3.80	12.6	23.4	3.91	12.7	23.2	4.04	12.7	23.1	4.11	12.7	23.0	4.18	12.8	21.8	3.91	12.9	
	20	50	24.8	3.92	14.0	24.7	4.05	14.1	24.4	4.18	14.2	24.2	4.19	14.3	23.4	3.98	14.4	21.8	3.57	14.8	
		60	25.0	3.94	15.0	24.8	4.06	15.0	24.6	4.20	15.1	24.2	4.15	15.2	23.4	3.94	15.4	21.8	3.53	15.6	
		96	25.4	3.98	16.8	25.2	4.11	16.8	25.0	4.24	16.9	24.2	4.03	17.0	23.4	3.83	17.1	21.8	3.43	17.3	
		120	25.6	3.99	17.4	25.4	4.12	17.5	25.0	4.20	17.5	24.2	3.99	17.6	23.4	3.79	17.7	21.8	3.40	17.8	
25	50	27.2	4.16	18.4	26.6	4.15	18.6	25.0	3.77	18.9	24.2	3.59	19.1	23.4	3.41	19.3	21.8	3.07	19.6		
	60	27.4	4.18	19.5	26.6	4.11	19.6	25.0	3.73	19.9	24.2	3.55	20.1	23.4	3.37	20.2	21.8	3.04	20.5		
	96	27.8	4.22	21.5	26.6	3.99	21.6	25.0	3.63	21.8	24.2	3.45	21.9	23.4	3.28	22.0	21.8	2.96	22.2		
	120	28.0	4.23	22.2	26.6	3.96	22.3	25.0	3.60	22.4	24.2	3.42	22.5	23.4	3.25	22.6	21.8	2.93	22.7		
30	50	28.2	3.93	23.0	26.6	3.60	23.4	25.0	3.28	23.8	24.2	3.12	24.0	23.4	2.97	24.1	21.8	2.68	24.5		
	60	28.2	3.89	24.2	26.6	3.56	24.5	25.0	3.24	24.8	24.2	3.09	25.0	23.4	2.94	25.1	21.8	2.65	25.4		
	96	28.2	3.78	26.4	26.6	3.46	26.5	25.0	3.15	26.7	24.2	3.01	26.8	23.4	2.86	26.9	21.8	2.59	27.1		
	120	28.2	3.75	27.1	26.6	3.43	27.2	25.0	3.13	27.4	24.2	2.98	27.5	23.4	2.84	27.5	21.8	2.56	27.7		
35	50	28.2	3.45	27.9	26.6	3.16	28.3	25.0	2.88	28.7	24.2	2.75	28.9	23.4	2.62	29.0	21.8	2.37	29.4		
	60	28.2	3.41	29.1	26.6	3.12	29.4	25.0	2.85	29.7	24.2	2.72	29.9	23.4	2.60	30.0	21.8	2.35	30.4		
	96	28.2	3.32	31.3	26.6	3.04	31.5	25.0	2.78	31.7	24.2	2.65	31.8	23.4	2.53	31.9	21.8	2.29	32.1		
	120	28.2	3.29	32.0	26.6	3.02	32.2	25.0	2.76	32.3	24.2	2.63	32.4	23.4	2.51	32.5	21.8	2.28	32.7		
40	50	28.2	3.33	32.9	26.6	3.06	33.3	25.0	2.80	33.6	24.2	2.68	33.8	23.4	2.55	34.0	21.8	2.32	34.4		
	60	28.2	3.29	34.0	26.6	3.03	34.4	25.0	2.77	34.7	24.2	2.65	34.9	23.4	2.53	35.0	21.8	2.29	35.3		
	96	28.2	3.21	36.3	26.6	2.95	36.5	25.0	2.70	36.7	24.2	2.58	36.8	23.4	2.47	36.9	21.8	2.24	37.1		
	120	28.2	3.18	37.0	26.6	2.92	37.2	25.0	2.68	37.3	24.2	2.56	37.4	23.4	2.45	37.5	21.8	2.22	37.7		
45	50	28.2	3.23	37.8	26.6	2.97	38.2	25.0	2.73	38.6	24.2	2.61	38.8	23.4	2.49	39.0	21.8	2.26	39.4		
	60	28.2	3.20	39.0	26.6	2.94	39.3	25.0	2.70	39.7	24.2	2.58	39.8	23.4	2.47	40.0	21.8	2.24	40.3		
	96	28.2	3.11	41.3	26.6	2.87	41.5	25.0	2.63	41.7	24.2	2.52	41.8	23.4	2.40	41.9	21.8	2.18	42.1		
	120	28.2	3.09	42.0	26.6	2.85	42.2	25.0	2.61	42.3	24.2	2.50	42.4	23.4	2.39	42.5	21.8	2.16	42.7		
90	10	50	13.5	1.98	6.69	13.6	1.97	6.66	13.7	1.98	6.65	13.7	1.99	6.65	13.7	2.01	6.66	13.6	2.05	6.68	
		60	15.6	2.37	6.83	15.6	2.40	6.84	15.6	2.45	6.86	15.6	2.48	6.87	15.5	2.52	6.89	15.4	2.60	6.93	
		96	20.1	3.56	7.54	19.9	3.67	7.57	19.8	3.79	7.61	19.7	3.85	7.63	19.6	3.92	7.65	19.4	4.07	7.71	
		120	21.0	3.80	7.95	20.8	3.91	7.98	20.7	4.04	8.01	20.6	4.11	8.03	20.5	4.18	8.05	19.6	4.01	8.14	
	15	50	20.9	3.75	10.08	20.8	3.86	10.15	20.6	3.99	10.23	20.5	4.06	10.28	20.4	4.13	10.3	19.6	3.98	10.5	
		60	21.4	3.81	10.8	21.3	3.92	10.9	21.1	4.05	10.9	21.0	4.12	11.0	20.9	4.20	11.0	19.6	3.82	11.2	
		96	22.8	3.95	12.2	22.6	4.08	12.2	22.4	4.21	12.3	21.8	4.05	12.4	21.1	3.85	12.4	19.6	3.45	12.6	
		120	23.2	4.01	12.7	23.0	4.13	12.7	22.5	4.11	12.8	21.8	3.91	12.9	21.1	3.71	12.9	19.6	3.34	13.1	
	20	50	24.5	4.15	14.2	23.9	4.13	14.3	22.5	3.75	14.6	21.8	3.57	14.8	21.1	3.39	14.9	19.6	3.05	15.3	
		60	24.7	4.16	15.1	23.9	4.08	15.3	22.5	3.71	15.5	21.8	3.53	15.6	21.1	3.35	15.8	19.6	3.02	16.0	
		96	25.1	4.21	16.9	23.9	3.97	17.0	22.5	3.60	17.2	21.8	3.43	17.3	21.1	3.26	17.3	19.6	2.94	17.5	
		120	25.2	4.22	17.5	23.9	3.93	17.6	22.5	3.57	17.7	21.8	3.40	17.8	21.1	3.23	17.9	19.6	2.91	18.0	
25	50	25.4	3.86	18.8	23.9	3.53	19.1	22.5	3.22	19.5	21.8	3.07	19.6	21.1	2.92	19.8	19.6	2.64	20.1		
	60	25.4	3.82	19.8	23.9	3.49	20.1	22.5	3.18	20.4	21.8	3.03	20.5	21.1	2.89	20.7	19.6	2.61	20.9		
	96	25.4	3.71	21.8	23.9	3.40	21.9	22.5	3.10	22.1	21.8	2.95	22.2	21.1	2.81	22.3	19.6	2.54	22.5		
	120	25.4	3.68	22.4	23.9	3.37	22.5	22.5	3.07	22.7	21.8	2.93	22.7	21.1	2.79	22.8	19.6	2.52	23.0		
30	50	25.4	3.35	23.7	23.9	3.07	24.0	22.5	2.81	24.4	21.8	2.68	24.5	21.1	2.55	24.7	19.6	2.32	25.0		
	60	25.4	3.32	24.7	23.9	3.04	25.0	22.5	2.78	25.3	21.8	2.65	25.4	21.1	2.53	25.6	19.6	2.29	25.9		
	96	25.4	3.23	26.7	23.9	2.96	26.9	22.5	2.71	27.0	21.8	2.58	27.1	21.1	2.47	27.2	19.6	2.24	27.4		
	120	25.4	3.20	27.4	23.9	2.94	27.5	22.5	2.68	27.6	21.8	2.56	27.7	21.1	2.45	27.8	19.6	2.22	27.9		
35	50	25.4	2.95	28.6	23.9	2.71	28.9	22.5	2.48	29.3	21.8	2.37	29.4	21.1	2.27	29.6	19.6	2.06	30.0		
	60	25.4	2.92	29.6	23.9	2.68	29.9	22.5	2.46	30.2	21.8	2.35	30.4	21.1	2.24	30.5	19.6	2.04	30.8		
	96	25.4	2.84	31.6	23.9	2.61	31.8	22.5	2.40	32.0	21.8	2.29	32.1	21.1	2.19	32.2	19.6	1.99	32.4		
	120	25.4	2.82	32.3	23.9	2.59	32.5	22.5	2.38	32.6	21.8	2.27	32.7	21.1	2.17	32.7	19.6	1.98	32.9		
40	50	25.4	2.86	33.5	23.9	2.64	33.9	22.5	2.42	34.2	21.8	2.31	34.4	21.1	2.21	34.6	19.6	2.01	35.0		
	60	25.4	2.83	34.6	23.9	2.61	34.9	22.5	2.40	35.2	21.8	2.29	35.3	21.1	2.19	35.5	19.6	1.99	35.8		
	96	25.4	2.76	36.6	23.9	2.55	36.8	22.5	2.34	37.0	21.8	2.23	37.1	21.1	2.14	37.2	19.6	1.94	37.4		
	120	25.4	2.74	37.3	23.9	2.53	37.4	22.5	2.32	37.6											

4 Capacity tables

4 - 3 Heating capacity tables

RWEYQ8PY1

TC: Total Capacity: kW ; PI: Power Input: kW (compressor + outdoor fan motor) ; OWT: Outlet Water Temperatur: °C

Combination (%)	Inlet Water Temp. (°C)	Water Volume L/min	Indoor air temperature: °CDB																	
			16.0			18.0			20.0			21.0			22.0			24.0		
			TC kW	PI kW	OWT °C	TC kW	PI kW	OWT °C	TC kW	PI kW	OWT °C	TC kW	PI kW	OWT °C	TC kW	PI kW	OWT °C	TC kW	PI kW	OWT °C
70	10	50	13.6	2.05	6.68	13.6	2.09	6.71	13.5	2.15	6.74	13.5	2.19	6.76	13.4	2.22	6.79	13.3	2.31	6.84
		60	15.5	2.59	6.93	15.4	2.67	6.97	15.3	2.75	7.01	15.2	2.80	7.04	15.1	2.85	7.07	15.0	2.96	7.13
		96	19.5	4.05	7.70	18.6	3.84	7.79	17.5	3.49	7.91	16.9	3.32	7.97	16.4	3.16	8.03	15.3	2.84	8.15
		120	19.8	4.05	8.13	18.6	3.70	8.22	17.5	3.37	8.31	16.9	3.21	8.36	16.4	3.05	8.41	15.3	2.75	8.51
	15	50	19.8	4.02	10.49	18.6	3.68	10.7	17.5	3.35	10.9	16.9	3.19	11.1	16.4	3.03	11.2	15.3	2.73	11.4
		60	19.8	3.86	11.2	18.6	3.53	11.4	17.5	3.22	11.6	16.9	3.06	11.7	16.4	2.92	11.8	15.3	2.63	12.0
		96	19.8	3.49	12.6	18.6	3.19	12.7	17.5	2.92	12.8	16.9	2.78	12.9	16.4	2.65	13.0	15.3	2.40	13.1
		120	19.8	3.37	13.0	18.6	3.09	13.1	17.5	2.82	13.2	16.9	2.69	13.3	16.4	2.57	13.4	15.3	2.32	13.5
	20	50	19.8	3.08	15.2	18.6	2.83	15.5	17.5	2.59	15.7	16.9	2.47	15.9	16.4	2.36	16.0	15.3	2.14	16.2
		60	19.8	3.05	16.0	18.6	2.80	16.2	17.5	2.56	16.4	16.9	2.45	16.5	16.4	2.34	16.6	15.3	2.12	16.9
		96	19.8	2.97	17.5	18.6	2.73	17.6	17.5	2.50	17.8	16.9	2.39	17.8	16.4	2.28	17.9	15.3	2.07	18.0
		120	19.8	2.94	18.0	18.6	2.70	18.1	17.5	2.48	18.2	16.9	2.37	18.3	16.4	2.26	18.3	15.3	2.05	18.4
25	50	19.8	2.66	20.1	18.6	2.45	20.4	17.5	2.25	20.6	16.9	2.15	20.8	16.4	2.06	20.9	15.3	1.88	21.2	
	60	19.8	2.64	20.9	18.6	2.43	21.1	17.5	2.23	21.4	16.9	2.13	21.5	16.4	2.04	21.6	15.3	1.86	21.8	
	96	19.8	2.57	22.4	18.6	2.37	22.6	17.5	2.17	22.7	16.9	2.08	22.8	16.4	1.99	22.9	15.3	1.82	23.0	
	120	19.8	2.55	22.9	18.6	2.35	23.1	17.5	2.16	23.2	16.9	2.07	23.2	16.4	1.98	23.3	15.3	1.80	23.4	
30	50	19.8	2.34	25.0	18.6	2.16	25.3	17.5	1.99	25.6	16.9	1.91	25.7	16.4	1.83	25.8	15.3	1.67	26.1	
	60	19.8	2.31	25.8	18.6	2.14	26.1	17.5	1.97	26.3	16.9	1.89	26.4	16.4	1.81	26.5	15.3	1.66	26.8	
	96	19.8	2.26	27.4	18.6	2.09	27.5	17.5	1.92	27.7	16.9	1.85	27.7	16.4	1.77	27.8	15.3	1.62	28.0	
	120	19.8	2.24	27.9	18.6	2.07	28.0	17.5	1.91	28.1	16.9	1.83	28.2	16.4	1.76	28.3	15.3	1.61	28.4	
35	50	19.8	2.08	29.9	18.6	1.93	30.2	17.5	1.78	30.5	16.9	1.71	30.6	16.4	1.64	30.8	15.3	1.51	31.1	
	60	19.8	2.06	30.8	18.6	1.91	31.0	17.5	1.76	31.2	16.9	1.69	31.4	16.4	1.63	31.5	15.3	1.49	31.7	
	96	19.8	2.01	32.4	18.6	1.87	32.5	17.5	1.72	32.6	16.9	1.66	32.7	16.4	1.59	32.8	15.3	1.46	32.9	
	120	19.8	2.00	32.9	18.6	1.85	33.0	17.5	1.71	33.1	16.9	1.65	33.2	16.4	1.58	33.2	15.3	1.45	33.4	
40	50	19.8	2.03	34.9	18.6	1.88	35.2	17.5	1.74	35.5	16.9	1.67	35.6	16.4	1.60	35.8	15.3	1.47	36.1	
	60	19.8	2.01	35.8	18.6	1.86	36.0	17.5	1.72	36.2	16.9	1.65	36.3	16.4	1.59	36.5	15.3	1.46	36.7	
	96	19.8	1.96	37.3	18.6	1.82	37.5	17.5	1.68	37.6	16.9	1.62	37.7	16.4	1.55	37.8	15.3	1.43	37.9	
	120	19.8	1.95	37.9	18.6	1.80	38.0	17.5	1.67	38.1	16.9	1.60	38.2	16.4	1.54	38.2	15.3	1.42	38.3	
45	50	19.8	1.98	39.9	18.6	1.83	40.2	17.5	1.69	40.5	16.9	1.63	40.6	16.4	1.56	40.8	15.3	1.43	41.0	
	60	19.8	1.96	40.8	18.6	1.82	41.0	17.5	1.68	41.2	16.9	1.61	41.3	16.4	1.55	41.5	15.3	1.42	41.7	
	96	19.8	1.91	42.3	18.6	1.77	42.5	17.5	1.64	42.6	16.9	1.58	42.7	16.4	1.51	42.8	15.3	1.39	42.9	
	120	19.8	1.90	42.9	18.6	1.76	43.0	17.5	1.63	43.1	16.9	1.56	43.2	16.4	1.50	43.2	15.3	1.38	43.3	
60	10	50	13.5	2.19	6.76	13.4	2.25	6.81	13.3	2.33	6.86	13.2	2.37	6.88	13.2	2.41	6.91	13.1	2.50	6.98
		60	15.2	2.80	7.04	15.1	2.89	7.09	14.9	2.98	7.14	14.5	2.86	7.22	14.0	2.72	7.30	13.1	2.44	7.46
		96	16.9	3.32	7.97	16.0	3.04	8.07	15.0	2.77	8.17	14.5	2.65	8.23	14.0	2.52	8.28	13.1	2.28	8.39
		120	16.9	3.21	8.36	16.0	2.94	8.44	15.0	2.69	8.53	14.5	2.57	8.57	14.0	2.45	8.62	13.1	2.22	8.70
	15	50	16.9	3.18	11.06	16.0	2.92	11.3	15.0	2.67	11.5	14.5	2.55	11.6	14.0	2.43	11.7	13.1	2.21	11.9
		60	16.9	3.06	11.7	16.0	2.81	11.9	15.0	2.57	12.0	14.5	2.46	12.1	14.0	2.34	12.2	13.1	2.13	12.4
		96	16.9	2.78	12.9	16.0	2.56	13.0	15.0	2.34	13.1	14.5	2.24	13.2	14.0	2.14	13.2	13.1	1.95	13.3
		120	16.9	2.69	13.3	16.0	2.48	13.4	15.0	2.27	13.5	14.5	2.17	13.5	14.0	2.08	13.6	13.1	1.89	13.7
	20	50	16.9	2.47	15.9	16.0	2.28	16.1	15.0	2.10	16.3	14.5	2.01	16.4	14.0	1.92	16.5	13.1	1.75	16.8
		60	16.9	2.45	16.5	16.0	2.26	16.7	15.0	2.08	16.9	14.5	1.99	17.0	14.0	1.90	17.1	13.1	1.74	17.3
		96	16.9	2.38	17.8	16.0	2.20	17.9	15.0	2.03	18.1	14.5	1.94	18.1	14.0	1.86	18.2	13.1	1.70	18.3
		120	16.9	2.37	18.3	16.0	2.18	18.4	15.0	2.01	18.4	14.5	1.93	18.5	14.0	1.84	18.5	13.1	1.69	18.6
25	50	16.9	2.15	20.8	16.0	1.99	21.0	15.0	1.84	21.2	14.5	1.76	21.3	14.0	1.69	21.5	13.1	1.55	21.7	
	60	16.9	2.13	21.5	16.0	1.97	21.7	15.0	1.82	21.9	14.5	1.75	22.0	14.0	1.68	22.0	13.1	1.54	22.2	
	96	16.9	2.08	22.8	16.0	1.93	22.9	15.0	1.78	23.0	14.5	1.71	23.1	14.0	1.64	23.2	13.1	1.51	23.3	
	120	16.9	2.06	23.2	16.0	1.91	23.3	15.0	1.77	23.4	14.5	1.70	23.5	14.0	1.63	23.5	13.1	1.49	23.6	
30	50	16.9	1.90	25.7	16.0	1.77	25.9	15.0	1.64	26.2	14.5	1.57	26.3	14.0	1.51	26.4	13.1	1.39	26.7	
	60	16.9	1.89	26.4	16.0	1.75	26.6	15.0	1.62	26.8	14.5	1.56	26.9	14.0	1.50	27.0	13.1	1.38	27.2	
	96	16.9	1.84	27.7	16.0	1.71	27.9	15.0	1.59	28.0	14.5	1.53	28.1	14.0	1.47	28.1	13.1	1.35	28.3	
	120	16.9	1.83	28.2	16.0	1.70	28.3	15.0	1.58	28.4	14.5	1.52	28.4	14.0	1.46	28.5	13.1	1.34	28.6	
35	50	16.9	1.71	30.6	16.0	1.59	30.9	15.0	1.48	31.1	14.5	1.42	31.2	14.0	1.37	31.4	13.1	1.27	31.6	
	60	16.9	1.69	31.4	16.0	1.58	31.6	15.0	1.47	31.8	14.5	1.41	31.9	14.0	1.36	32.0	13.1	1.26	32.2	
	96	16.9	1.66	32.7	16.0	1.54	32.8	15.0	1.44	33.0	14.5	1.38	33.0	14.0	1.33	33.1	13.1	1.23	33.2	
	120	16.9	1.64	33.2	16.0	1.53	33.3	15.0	1.43	33.4	14.5	1.37	33.4	14.0	1.32	33.5	13.1	1.23	33.6	
40	50	16.9	1.67	35.6	16.0	1.55	35.9	15.0	1.44	36.1	14.5	1.39	36.2	14.0	1.34	36.4	13.1	1.24	36.6	
	60	16.9	1.65	36.4	16.0	1.54	36.6	15.0	1.43	36.8	14.5	1.38	36.9	14.0	1.33	37.0	13.1	1.23	37.2	
	96	16.9	1.61	37.7	16.0	1.50	37.8	15.0	1.40	38.0	14.5	1.35	38.0	14.0	1.30	38.1	13.1	1.20	38.2	
	120	16.9	1.60	38.2	16.0	1.49														

4 Capacity tables

4 - 3 Heating capacity tables

RWEYQ10PY1

TC: Total Capacity: kW ; PI: Power Input: kW (compressor + outdoor fan motor) ; OWT: Outlet Water Temperatur: °C

Combination (%)	Inlet Water Temp. (°C)	Water Volume L/min	Indoor air temperature: °CDB																	
			16.0			18.0			20.0			21.0			22.0			24.0		
			TC	PI	OWT	TC	PI	OWT	TC	PI	OWT	TC	PI	OWT	TC	PI	OWT	TC	PI	OWT
130	10	50	14.8	3.90	6.88	15.4	3.58	6.61	15.9	3.31	6.38	16.2	3.20	6.28	16.4	3.10	6.19	16.7	2.95	6.05
		60	18.4	3.89	6.54	18.8	3.68	6.39	19.1	3.53	6.27	19.3	3.47	6.22	19.4	3.42	6.18	19.6	3.37	6.13
		96	25.5	4.61	6.89	25.6	4.60	6.87	25.6	4.64	6.87	25.6	4.67	6.87	25.6	4.72	6.88	25.5	4.84	6.91
		120	26.8	4.78	7.37	26.9	4.81	7.36	26.9	4.88	7.37	26.9	4.93	7.38	26.8	4.99	7.39	26.7	5.14	7.43
	15	50	26.8	4.73	8.69	26.8	4.76	8.68	26.8	4.83	8.70	26.8	4.88	8.72	26.8	4.93	8.75	26.6	5.08	8.82
		60	27.5	4.74	9.56	27.6	4.79	9.56	27.5	4.87	9.59	27.5	4.93	9.61	27.4	4.99	9.64	27.3	5.15	9.71
		96	29.5	4.81	11.3	29.5	4.89	11.3	29.4	5.01	11.4	29.3	5.08	11.4	29.2	5.16	11.4	29.0	5.33	11.5
		120	30.2	4.85	12.0	30.2	4.94	12.0	30.0	5.06	12.0	30.0	5.14	12.0	29.9	5.22	12.1	29.7	5.41	12.1
	20	50	32.1	4.95	12.2	32.0	5.07	12.3	31.8	5.22	12.4	31.7	5.30	12.4	31.6	5.39	12.5	31.3	5.59	12.6
		60	32.3	4.97	13.5	32.2	5.09	13.5	32.0	5.24	13.6	31.9	5.32	13.7	31.8	5.41	13.7	31.5	5.61	13.8
		96	32.9	5.01	15.8	32.7	5.13	15.7	32.6	5.29	15.9	32.4	5.37	16.0	32.3	5.46	16.0	32.0	5.67	16.1
		120	33.1	5.02	16.7	32.9	5.15	16.7	32.7	5.30	16.7	32.6	5.39	16.7	32.5	5.48	16.8	32.2	5.69	16.8
25	50	35.3	5.20	16.4	35.1	5.34	16.5	34.9	5.52	16.6	34.8	5.61	16.6	34.6	5.71	16.7	34.3	5.93	16.9	
	60	35.6	5.22	17.8	35.4	5.37	17.8	35.1	5.54	17.9	35.0	5.63	18.0	34.8	5.73	18.1	34.5	5.95	18.2	
	96	36.2	5.26	20.4	36.0	5.42	20.4	35.7	5.59	20.5	35.6	5.69	20.5	35.4	5.79	20.6	35.1	6.01	20.7	
	120	36.4	5.28	21.3	36.2	5.44	21.3	35.9	5.61	21.4	35.7	5.71	21.4	35.6	5.81	21.4	35.2	6.03	21.4	
30	50	38.5	5.47	20.5	38.3	5.64	20.6	38.0	5.83	20.8	37.8	5.93	20.9	37.6	6.03	20.9	37.5	6.25	21.5	
	60	38.8	5.50	22.0	38.5	5.66	22.2	38.2	5.85	22.3	38.0	5.95	22.3	37.9	6.06	22.4	37.7	6.28	21.8	
	96	39.4	5.55	24.9	39.2	5.72	25.0	38.8	5.91	25.1	38.7	6.01	25.1	38.3	6.06	25.2	37.9	6.31	22.1	
	120	39.7	5.57	25.9	39.4	5.74	26.0	39.0	5.93	26.0	38.9	6.03	26.1	38.3	6.00	26.1	37.9	6.31	22.1	
35	50	41.7	5.77	24.7	41.4	5.95	24.8	41.0	6.11	25.0	39.6	6.20	25.3	38.3	6.51	25.6	37.5	6.57	22.2	
	60	42.0	5.79	26.3	41.7	5.97	26.5	41.0	6.04	26.7	39.6	6.29	26.9	38.3	6.54	27.1	37.5	6.57	22.2	
	96	42.7	5.85	29.5	42.4	6.03	29.6	41.0	5.87	29.8	39.6	6.58	29.9	38.3	6.50	30.1	37.5	6.57	22.2	
	120	42.9	5.87	30.6	42.6	6.05	30.6	41.0	5.81	30.8	39.6	6.53	30.9	38.3	6.52	31.1	37.5	6.57	22.2	
40	50	44.9	6.07	28.9	43.6	5.93	29.2	41.0	5.87	29.9	39.6	6.58	30.2	38.3	6.51	30.5	37.5	6.57	22.2	
	60	45.2	6.09	30.7	43.6	5.86	31.0	41.0	5.80	31.6	39.6	6.52	31.9	38.3	6.52	32.1	37.5	6.57	22.2	
	96	46.0	6.15	34.0	43.6	5.70	34.3	41.0	5.64	34.7	39.6	6.37	34.9	38.3	6.51	35.0	37.5	6.57	22.2	
	120	46.2	6.17	35.2	43.6	5.64	35.5	41.0	5.59	35.8	39.6	6.33	35.9	38.3	6.50	36.0	37.5	6.57	22.2	
45	50	46.2	6.02	33.5	43.6	5.78	34.2	41.0	5.66	34.9	39.6	6.39	35.2	38.3	6.51	35.5	37.5	6.57	22.2	
	60	46.2	5.96	35.4	43.6	5.71	36.0	41.0	5.60	36.6	39.6	6.34	36.8	38.3	6.50	37.1	37.5	6.57	22.2	
	96	46.2	5.79	39.0	43.6	5.55	39.3	41.0	5.45	39.7	39.6	6.19	39.9	38.3	6.49	40.0	37.5	6.57	22.2	
	120	46.2	5.74	40.2	43.6	5.50	40.5	41.0	5.40	40.8	39.6	6.15	40.9	38.3	6.49	41.0	37.5	6.57	22.2	
120	10	50	15.6	3.48	6.52	16.1	3.25	6.32	16.5	3.07	6.16	16.6	2.99	6.09	16.8	2.93	6.04	17.0	2.85	5.95
		60	18.9	3.62	6.35	19.2	3.49	6.24	19.4	3.41	6.17	19.5	3.38	6.14	19.6	3.37	6.12	19.7	3.37	6.10
		96	25.6	4.61	6.87	25.6	4.66	6.87	25.6	4.74	6.89	25.5	4.79	6.90	25.5	4.86	6.92	25.4	5.01	6.96
		120	26.9	4.83	7.37	26.9	4.91	7.38	26.8	5.02	7.40	26.7	5.08	7.41	26.7	5.16	7.43	26.5	5.34	7.47
	15	50	26.8	4.78	8.68	26.8	4.85	8.71	26.7	4.96	8.76	26.7	5.03	8.79	26.6	5.10	8.83	26.4	5.27	8.93
		60	27.6	4.81	9.57	27.5	4.90	9.60	27.4	5.02	9.65	27.4	5.09	9.68	27.3	5.17	9.72	27.1	5.35	9.81
		96	29.5	4.93	11.3	29.4	5.05	11.4	29.2	5.19	11.4	29.1	5.27	11.4	29.0	5.36	11.5	28.8	5.56	11.5
		120	30.1	4.98	12.0	30.0	5.10	12.0	29.8	5.25	12.1	29.7	5.34	12.1	29.6	5.43	12.1	29.4	5.63	12.2
	20	50	31.9	5.12	12.3	31.7	5.26	12.4	31.5	5.43	12.5	31.4	5.52	12.6	31.3	5.61	12.6	31.0	5.83	12.8
		60	32.1	5.14	13.6	32.0	5.28	13.6	31.7	5.45	13.7	31.6	5.54	13.8	31.5	5.64	13.8	31.2	5.85	13.9
		96	32.7	5.18	15.9	32.5	5.33	15.9	32.3	5.50	16.0	32.1	5.60	16.0	32.0	5.70	16.1	31.7	5.91	16.2
		120	32.9	5.20	16.7	32.7	5.35	16.7	32.4	5.52	16.8	32.3	5.61	16.8	32.2	5.71	16.8	31.9	5.93	16.9
25	50	35.1	5.40	16.5	34.8	5.57	16.6	34.5	5.75	16.7	34.4	5.85	16.8	34.2	5.95	16.9	32.9	5.77	17.2	
	60	35.3	5.42	17.9	35.0	5.59	18.0	34.8	5.77	18.1	34.6	5.87	18.1	34.5	5.98	18.2	32.9	5.70	18.5	
	96	35.9	5.48	20.5	35.6	5.65	20.5	35.3	5.83	20.6	35.2	5.93	20.6	35.0	6.04	20.7	32.9	5.54	20.9	
	120	36.1	5.50	21.3	35.8	5.67	21.4	35.5	5.85	21.5	35.4	5.95	21.5	35.2	6.06	21.5	32.9	5.49	21.7	
30	50	38.2	5.71	20.7	37.9	5.88	20.8	37.6	6.08	21.0	36.6	6.17	21.2	36.4	6.27	21.5	32.9	5.00	22.0	
	60	38.4	5.73	22.2	38.1	5.91	22.3	37.8	6.10	22.4	36.6	6.20	22.6	36.4	6.29	22.9	32.9	4.94	23.3	
	96	39.1	5.79	25.0	38.7	5.97	25.1	37.8	5.93	25.2	36.6	6.04	25.4	36.4	6.06	25.5	32.9	4.81	25.8	
	120	39.3	5.81	26.0	38.9	5.99	26.1	37.8	5.88	26.2	36.6	6.00	26.3	36.4	6.01	26.4	32.9	4.77	26.6	
35	50	41.3	6.01	24.9	40.2	5.94	25.2	37.8	6.30	25.7	36.6	6.39	26.0	36.4	6.48	26.3	32.9	4.39	26.8	
	60	41.6	6.04	26.5	40.2	5.87	26.8	37.8	6.34	27.2	36.6	6.30	27.5	36.4	6.43	27.7	32.9	4.35	28.2	
	96	42.2	6.10	29.6	40.2	5.71	29.9	37.8	6.19	30.1	36.6	6.24	30.3	36.4	6.20	30.4	32.9	4.23	30.7	
	120	42.4	6.12	30.7	40.2	5.66	30.9	37.8	6.14	31.1	36.6	6.20	31.2	36.4	6.16	31.3	32.9	4.19	31.6	
40	50	42.7	5.73	29.4	40.2	5.71	30.1	37.8	6.20	30.7	36.6	6.29	30.9	36.4	6.37	31.2	32.9	4.26	31.8	
	60	42.7	5.67	31.2	40.2	5.65	31.7	37.8	6.15	32.2	36.6	6.20	32.4	36.4	6.27	32.7	32.9	4.21	33.1	
	96	42.7	5.51	34.5	40.2	5.50	34.8	37.8	6.01	35.1	36.6	6.17	35.3	36.4	6.14	35.4	32.9	4.10	35.7	
	120	42.7	5.46	35.6	40.2	5.45	35.8	37.8	5.96	36.1	36.6	6.13	36.2	36.4	6.11	36.3	32.9	4.07	36.6	
45	50	42.7	5.59	34.4	40.2	5.51	35.0	37.8	6.03	35.6	36.6	6.10	35.9	36.4	6.17	36.2	32.9	4.14	36.7	
	60	42.7	5.53	36.1	40.2	5.46	36.7	37.8	5.98	37.2	36.6	6.07	37.4	36.4	6.14	37.5	32.9	4.10	38.1	
	96	42.7	5.37	39.4	40.2	5.31	39.8	37.8	5.85	40.1	36.6	6.03	40.2	36.4	6.11	40.4	32.9	4.00	40.7	
	120	42.7	5.32	40.5	40.2	5.26	40.8	37.8	5.81	41.1	36.6	6.00	41.2	36.4	6.08	41.3	32.9	3.97	41.5	
110	10	50	16.3	3.16	6.24	16.6	3.01	6.11	16.8	2.90	6.00	16.9	2.87	5.96	17.0	2.84	5.93	17.2	2.81	5.89
		60	19.3	3.45	6.21	19.5	3.39	6												

4 Capacity tables

4 - 3 Heating capacity tables

RWEYQ10PY1

TC: Total Capacity: kW ; PI: Power Input: kW (compressor + outdoor fan motor) ; OWT: Outlet Water Temperatur: °C

Combination (%)	Inlet Water Temp. (°C)	Water Volume L/min	Indoor air temperature: °CDB																	
			16.0			18.0			20.0			21.0			22.0			24.0		
			TC kW	PI kW	OWT °C	TC kW	PI kW	OWT °C	TC kW	PI kW	OWT °C	TC kW	PI kW	OWT °C	TC kW	PI kW	OWT °C	TC kW	PI kW	OWT °C
100	10	50	16.7	2.94	6.04	16.9	2.87	5.96	17.1	2.82	5.91	17.1	2.81	5.89	17.2	2.81	5.88	17.2	2.84	5.88
		60	19.6	3.37	6.12	19.7	3.36	6.10	19.7	3.39	6.10	19.7	3.42	6.11	19.7	3.45	6.12	19.6	3.54	6.16
		96	25.5	4.85	6.92	25.4	4.97	6.95	25.2	5.12	7.00	25.2	5.21	7.02	25.1	5.30	7.05	24.8	5.50	7.11
	15	50	26.6	5.09	8.83	26.5	5.23	8.91	26.3	5.39	9.00	26.2	5.49	9.06	26.1	5.58	9.12	25.9	5.79	9.25
		60	27.3	5.16	9.71	27.1	5.30	9.78	27.0	5.47	9.87	26.8	5.57	9.92	26.7	5.67	9.97	26.5	5.88	10.08
		96	29.0	5.35	11.5	28.8	5.51	11.5	28.6	5.69	11.6	28.5	5.79	11.6	28.4	5.89	11.6	27.5	5.78	11.8
	20	50	31.3	5.60	12.6	31.1	5.77	12.7	30.8	5.96	12.9	30.5	5.98	13.0	29.5	5.68	13.2	27.5	5.09	13.6
		60	31.5	5.62	13.8	31.3	5.80	13.9	31.0	5.99	14.0	30.5	5.92	14.1	29.5	5.62	14.3	27.5	5.04	14.6
		96	32.0	5.68	16.1	31.8	5.86	16.1	31.5	6.05	16.2	30.5	5.75	16.3	29.5	5.46	16.4	27.5	4.90	16.6
	25	50	34.3	5.94	16.9	33.5	5.93	17.1	31.5	5.38	17.5	30.5	5.12	17.7	29.5	4.87	17.9	27.5	4.38	18.4
		60	34.5	5.96	18.2	33.5	5.86	18.4	31.5	5.32	18.7	30.5	5.07	18.9	29.5	4.81	19.1	27.5	4.33	19.5
		96	35.0	6.02	20.7	33.5	5.70	20.8	31.5	5.18	21.1	30.5	4.93	21.2	29.5	4.68	21.3	27.5	4.22	21.5
30	50	35.5	5.61	21.4	33.5	5.13	21.9	31.5	4.67	22.3	30.5	4.45	22.5	29.5	4.24	22.8	27.5	3.83	23.2	
	60	35.5	5.55	22.8	33.5	5.08	23.2	31.5	4.62	23.6	30.5	4.41	23.8	29.5	4.19	24.0	27.5	3.79	24.3	
	96	35.5	5.40	25.5	33.5	4.94	25.7	31.5	4.50	26.0	30.5	4.29	26.1	29.5	4.08	26.2	27.5	3.69	26.5	
35	50	35.5	4.92	26.2	33.5	4.51	26.7	31.5	4.11	27.2	30.5	3.93	27.4	29.5	3.75	27.6	27.5	3.39	28.1	
	60	35.5	4.86	27.7	33.5	4.46	28.1	31.5	4.07	28.4	30.5	3.89	28.6	29.5	3.70	28.8	27.5	3.36	29.2	
	96	35.5	4.73	30.4	33.5	4.34	30.6	31.5	3.97	30.9	30.5	3.79	31.0	29.5	3.61	31.1	27.5	3.27	31.4	
40	50	35.5	4.69	31.3	33.5	4.30	31.5	3.93	31.7	30.5	3.75	31.8	29.5	3.58	31.9	27.5	3.25	32.1		
	60	35.5	4.75	31.2	33.5	4.36	31.6	3.99	32.1	30.5	3.82	32.4	29.5	3.64	32.6	27.5	3.30	33.1		
	96	35.5	4.58	35.4	33.5	4.21	35.6	3.93	35.9	30.5	3.78	36.0	29.5	3.61	36.1	27.5	3.19	36.4		
45	50	35.5	4.54	36.3	33.5	4.17	36.5	3.82	36.7	30.5	3.66	36.8	29.5	3.49	36.9	27.5	3.17	37.1		
	60	35.5	4.61	36.1	33.5	4.24	36.6	3.89	37.1	30.5	3.72	37.3	29.5	3.55	37.6	27.5	3.22	38.1		
	96	35.5	4.56	37.6	33.5	4.20	38.0	3.86	38.4	30.5	3.68	38.6	29.5	3.52	38.8	27.5	3.19	39.2		
90	10	50	17.1	2.83	5.92	17.2	2.81	5.89	17.2	2.82	5.88	17.2	2.84	5.88	17.2	2.86	5.89	17.2	2.93	5.92
		60	19.7	3.38	6.10	19.7	3.43	6.11	19.7	3.50	6.14	19.6	3.54	6.16	19.6	3.59	6.18	19.5	3.71	6.24
		96	25.3	5.08	6.98	25.1	5.23	7.03	24.9	5.40	7.08	24.8	5.50	7.11	24.7	5.59	7.14	24.5	5.81	7.21
	15	50	26.4	5.42	7.49	26.2	5.58	7.53	26.0	5.77	7.58	25.9	5.86	7.60	25.8	5.97	7.63	24.7	5.72	7.73
		60	26.4	5.35	8.98	26.2	5.51	9.08	26.0	5.70	9.19	25.9	5.79	9.25	25.7	5.90	9.3	24.7	5.68	9.5
		96	27.0	5.43	9.85	26.8	5.60	9.93	26.6	5.78	10.03	26.5	5.88	10.08	26.3	5.99	10.1	24.7	5.45	10.4
	20	50	28.7	5.64	11.6	28.5	5.82	11.6	28.2	6.01	11.7	27.4	5.78	11.8	26.5	5.49	11.9	24.7	4.92	12.0
		60	29.3	5.72	12.2	29.0	5.90	12.2	28.4	5.87	12.3	27.4	5.58	12.4	26.5	5.30	12.5	24.7	4.76	12.6
		96	30.9	5.92	12.8	30.2	5.89	13.0	28.4	5.35	13.4	27.4	5.09	13.6	26.5	4.84	13.8	24.7	4.35	14.2
	25	50	31.1	5.94	14.0	30.2	5.82	14.2	28.4	5.29	14.5	27.4	5.03	14.6	26.5	4.78	14.8	24.7	4.31	15.1
		60	31.6	6.00	16.2	30.2	5.66	16.3	28.4	5.14	16.5	27.4	4.90	16.6	26.5	4.65	16.7	24.7	4.19	16.9
		96	31.7	6.02	16.9	30.2	5.61	17.1	28.4	5.10	17.2	27.4	4.85	17.3	26.5	4.61	17.4	24.7	4.16	17.5
30	50	32.0	5.51	17.4	30.2	5.04	17.8	28.4	4.59	18.2	27.4	4.38	18.4	26.5	4.17	18.6	24.7	3.76	19.0	
	60	32.0	5.45	18.7	30.2	4.99	19.0	28.4	4.54	19.3	27.4	4.33	19.5	26.5	4.12	19.6	24.7	3.72	20.0	
	96	32.0	5.30	21.0	30.2	4.85	21.2	28.4	4.42	21.4	27.4	4.22	21.5	26.5	4.01	21.6	24.7	3.63	21.9	
35	50	32.0	5.25	21.8	30.2	4.81	22.0	28.4	4.38	22.1	27.4	4.18	22.2	26.5	3.98	22.3	24.7	3.60	22.5	
	60	32.0	4.78	22.2	30.2	4.39	22.6	28.4	4.01	23.0	27.4	3.82	23.2	26.5	3.65	23.4	24.7	3.30	23.9	
	96	32.0	4.73	23.5	30.2	4.34	23.8	28.4	3.97	24.2	27.4	3.78	24.4	26.5	3.61	24.5	24.7	3.27	24.9	
40	50	32.0	4.60	25.9	30.2	4.22	26.1	28.4	3.86	26.3	27.4	3.69	26.5	26.5	3.52	26.6	24.7	3.19	26.8	
	60	32.0	4.56	26.7	30.2	4.19	26.9	28.4	3.83	27.1	27.4	3.66	27.2	26.5	3.49	27.2	24.7	3.17	27.4	
	96	32.0	4.21	27.0	30.2	3.87	27.5	28.4	3.54	27.9	27.4	3.39	28.1	26.5	3.23	28.3	24.7	2.94	28.8	
45	50	32.0	4.16	28.4	30.2	3.83	28.7	28.4	3.51	29.1	27.4	3.35	29.2	26.5	3.20	29.4	24.7	2.91	29.8	
	60	32.0	4.06	30.8	30.2	3.73	31.1	28.4	3.42	31.3	27.4	3.27	31.4	26.5	3.12	31.5	24.7	2.84	31.7	
	96	32.0	4.02	31.7	30.2	3.70	31.8	28.4	3.39	32.0	27.4	3.24	32.1	26.5	3.10	32.2	24.7	2.82	32.4	
80	10	50	32.0	4.08	32.0	30.2	3.76	32.4	28.4	3.45	32.9	27.4	3.30	33.1	26.5	3.15	33.3	24.7	2.87	33.7
		60	32.0	4.04	33.3	30.2	3.73	33.7	28.4	3.42	34.0	27.4	3.27	34.2	26.5	3.12	34.4	24.7	2.84	34.8
		96	32.0	3.94	35.8	30.2	3.63	36.0	28.4	3.33	36.3	27.4	3.19	36.4	26.5	3.05	36.5	24.7	2.77	36.7
	15	50	32.0	3.91	36.6	30.2	3.60	36.8	28.4	3.31	37.0	27.4	3.16	37.1	26.5	3.02	37.2	24.7	2.75	37.4
		60	32.0	3.98	37.0	30.2	3.67	37.4	28.4	3.37	37.8	27.4	3.22	38.1	26.5	3.07	38.3	24.7	2.80	38.7
		96	32.0	3.94	38.3	30.2	3.63	38.7	28.4	3.33	39.0	27.4	3.19	39.2	26.5	3.04	39.4	24.7	2.77	39.8
	20	50	32.0	3.84	40.8	30.2	3.54	41.0	28.4	3.25	41.3	27.4	3.11	41.4	26.5	2.97	41.5	24.7	2.70	41.7
		60	32.0	3.49	41.6	30.2	3.51	41.8	28.4	3.22	42.0	27.4	3.08	42.1	26.5	2.95	42.2	24.7	2.68	42.4
		96	32.0	3.49	41.6	30.2	3.51	41.8	28.4	3.22	42.0	27.4	3.08	42.1	26.5	2.95	42.2	24.7	2.68	42.4
	25	50	17.2	2.82	5.88	17.2	2.85	5.88	17.2	2.91	5.91	17.2	2.94	5.92	17.1	2.98	5.95	17.0	3.08	6.00
		60	19.7	3.49	6.14	19.6	3.57	6.17	19.5	3.67	6.22	19.4	3.73	6.25	19.4	3.80	6.28	19.2	3.94	6.35
		96	25.0	5.40	7.08	24.8	5.56	7.1												

4 Capacity tables

4 - 3 Heating capacity tables

RWEYQ10PY1		TC: Total Capacity: kW ; PI: Power Input: kW (compressor + outdoor fan motor) ; OWT: Outlet Water Temperatur: °C																		
Combination (%)	Inlet Water Temp. (°C)	Water Volume L/min	Indoor air temperature: °CDB																	
			16.0			18.0			20.0			21.0			22.0			24.0		
			TC kW	PI kW	OWT °C	TC kW	PI kW	OWT °C	TC kW	PI kW	OWT °C	TC kW	PI kW	OWT °C	TC kW	PI kW	OWT °C	TC kW	PI kW	OWT °C
70	10	50	17.2	2.92	5.91	17.1	2.99	5.95	17.0	3.07	6.00	17.0	3.12	6.03	16.9	3.17	6.06	16.8	3.29	6.13
		60	19.5	3.70	6.23	19.4	3.80	6.28	19.2	3.93	6.35	19.1	4.00	6.38	19.1	4.07	6.42	18.9	4.22	6.50
		96	24.5	5.78	7.20	23.5	5.47	7.31	22.1	4.98	7.45	21.3	4.74	7.52	20.6	4.50	7.59	19.2	4.05	7.74
		120	24.9	5.78	7.72	23.5	5.28	7.83	22.1	4.81	7.94	21.3	4.58	8.00	20.6	4.36	8.06	19.2	3.93	8.17
	15	50	24.9	5.74	9.51	23.5	5.25	9.78	22.1	4.77	10.05	21.3	4.55	10.2	20.6	4.33	10.3	19.2	3.90	10.6
		60	24.9	5.51	10.4	23.5	5.04	10.6	22.1	4.59	10.8	21.3	4.37	10.9	20.6	4.16	11.1	19.2	3.76	11.3
		96	24.9	4.98	12.0	23.5	4.56	12.2	22.1	4.16	12.3	21.3	3.97	12.4	20.6	3.78	12.5	19.2	3.42	12.6
		120	24.9	4.81	12.6	23.5	4.41	12.7	22.1	4.03	12.8	21.3	3.84	12.9	20.6	3.66	13.0	19.2	3.32	13.1
	20	50	24.9	4.40	14.1	23.5	4.04	14.4	22.1	3.69	14.7	21.3	3.53	14.9	20.6	3.37	15.1	19.2	3.06	15.4
		60	24.9	4.35	15.1	23.5	4.00	15.3	22.1	3.66	15.6	21.3	3.49	15.7	20.6	3.33	15.9	19.2	3.03	16.1
		96	24.9	4.24	16.9	23.5	3.89	17.1	22.1	3.56	17.2	21.3	3.41	17.3	20.6	3.25	17.4	19.2	2.95	17.6
		120	24.9	4.20	17.5	23.5	3.86	17.7	22.1	3.53	17.8	21.3	3.38	17.9	20.6	3.22	17.9	19.2	2.93	18.1
25	50	24.9	3.80	19.0	23.5	3.50	19.3	22.1	3.21	19.6	21.3	3.07	19.8	20.6	2.94	19.9	19.2	2.68	20.3	
	60	24.9	3.76	20.0	23.5	3.46	20.2	22.1	3.18	20.5	21.3	3.04	20.6	20.6	2.91	20.8	19.2	2.65	21.0	
	96	24.9	3.67	21.8	23.5	3.38	22.0	22.1	3.10	22.2	21.3	2.97	22.3	20.6	2.84	22.3	19.2	2.59	22.5	
	120	24.9	3.63	22.5	23.5	3.35	22.6	22.1	3.08	22.7	21.3	2.95	22.8	20.6	2.82	22.9	19.2	2.57	23.0	
30	50	24.9	3.34	23.8	23.5	3.08	24.2	22.1	2.84	24.5	21.3	2.72	24.7	20.6	2.62	24.8	19.2	2.38	25.2	
	60	24.9	3.30	24.8	23.5	3.05	25.1	22.1	2.81	25.4	21.3	2.69	25.5	20.6	2.58	25.7	19.2	2.36	26.0	
	96	24.9	3.22	26.8	23.5	2.98	26.9	22.1	2.75	27.1	21.3	2.63	27.2	20.6	2.52	27.3	19.2	2.31	27.5	
	120	24.9	3.20	27.4	23.5	2.95	27.6	22.1	2.72	27.7	21.3	2.61	27.8	20.6	2.50	27.8	19.2	2.29	28.0	
35	50	24.9	2.97	28.7	23.5	2.75	29.1	22.1	2.54	29.4	21.3	2.44	29.6	20.6	2.34	29.8	19.2	2.15	30.1	
	60	24.9	2.94	29.8	23.5	2.72	30.0	22.1	2.52	30.3	21.3	2.42	30.5	20.6	2.32	30.6	19.2	2.13	30.9	
	96	24.9	2.87	31.7	23.5	2.66	31.9	22.1	2.46	32.1	21.3	2.36	32.2	20.6	2.27	32.3	19.2	2.09	32.4	
	120	24.9	2.85	32.4	23.5	2.64	32.5	22.1	2.44	32.7	21.3	2.35	32.7	20.6	2.25	32.8	19.2	2.07	33.0	
40	50	24.9	2.89	33.7	23.5	2.68	34.0	22.1	2.48	34.4	21.3	2.38	34.6	20.6	2.28	34.7	19.2	2.10	35.1	
	60	24.9	2.87	34.7	23.5	2.66	35.0	22.1	2.45	35.3	21.3	2.36	35.5	20.6	2.26	35.6	19.2	2.08	35.9	
	96	24.9	2.80	36.7	23.5	2.59	36.9	22.1	2.40	37.1	21.3	2.31	37.2	20.6	2.21	37.3	19.2	2.04	37.4	
	120	24.9	2.78	37.4	23.5	2.58	37.5	22.1	2.38	37.7	21.3	2.29	37.7	20.6	2.20	37.8	19.2	2.02	37.9	
45	50	24.9	2.82	38.7	23.5	2.61	39.0	22.1	2.41	39.4	21.3	2.32	39.5	20.6	2.22	39.7	19.2	2.04	40.1	
	60	24.9	2.80	39.7	23.5	2.59	40.0	22.1	2.39	40.3	21.3	2.30	40.5	20.6	2.21	40.6	19.2	2.03	40.9	
	96	24.9	2.73	41.7	23.5	2.53	41.9	22.1	2.34	42.1	21.3	2.25	42.2	20.6	2.16	42.2	19.2	1.98	42.4	
	120	24.9	2.71	42.4	23.5	2.51	42.5	22.1	2.32	42.6	21.3	2.23	42.7	20.6	2.14	42.8	19.2	1.97	42.9	
60	10	50	17.0	3.12	6.03	16.9	3.22	6.08	16.8	3.32	6.15	16.7	3.38	6.19	16.6	3.44	6.22	16.4	3.57	6.31
		60	19.1	4.00	6.38	19.0	4.12	6.45	18.8	4.26	6.52	18.3	4.08	6.61	17.7	3.88	6.70	16.5	3.48	6.90
		96	21.3	4.73	7.52	20.1	4.34	7.64	18.9	3.96	7.77	18.3	3.78	7.83	17.7	3.60	7.90	16.5	3.26	8.03
		120	21.3	4.58	8.00	20.1	4.20	8.10	18.9	3.84	8.20	18.3	3.66	8.25	17.7	3.50	8.31	16.5	3.17	8.41
	15	50	21.3	4.54	10.2	20.1	4.17	10.4	18.9	3.81	10.7	18.3	3.64	10.8	17.7	3.47	10.9	16.5	3.15	11.2
		60	21.3	4.37	10.9	20.1	4.01	11.2	18.9	3.67	11.4	18.3	3.51	11.5	17.7	3.35	11.6	16.5	3.04	11.8
		96	21.3	3.96	12.4	20.1	3.65	12.5	18.9	3.34	12.7	18.3	3.20	12.7	17.7	3.06	12.8	16.5	2.78	13.0
		120	21.3	3.84	12.9	20.1	3.53	13.0	18.9	3.24	13.1	18.3	3.10	13.2	17.7	2.97	13.2	16.5	2.70	13.4
	20	50	21.3	3.53	14.9	20.1	3.25	15.2	18.9	2.99	15.4	18.3	2.86	15.6	17.7	2.74	15.7	16.5	2.50	16.0
		60	21.3	3.49	15.7	20.1	3.22	16.0	18.9	2.96	16.2	18.3	2.84	16.3	17.7	2.71	16.4	16.5	2.48	16.7
		96	21.3	3.40	17.3	20.1	3.14	17.5	18.9	2.89	17.6	18.3	2.77	17.7	17.7	2.65	17.8	16.5	2.42	17.9
		120	21.3	3.37	17.9	20.1	3.12	18.0	18.9	2.87	18.1	18.3	2.75	18.1	17.7	2.63	18.2	16.5	2.41	18.3
25	50	21.3	3.07	19.8	20.1	2.84	20.0	18.9	2.62	20.3	18.3	2.52	20.5	17.7	2.41	20.6	16.5	2.21	20.9	
	60	21.3	3.04	20.6	20.1	2.82	20.9	18.9	2.60	21.1	18.3	2.49	21.2	17.7	2.39	21.3	16.5	2.19	21.6	
	96	21.3	2.97	22.3	20.1	2.75	22.4	18.9	2.54	22.6	18.3	2.44	22.6	17.7	2.34	22.7	16.5	2.15	22.9	
	120	21.3	2.95	22.8	20.1	2.73	22.9	18.9	2.52	23.0	18.3	2.42	23.1	17.7	2.32	23.2	16.5	2.13	23.3	
30	50	21.3	2.72	24.7	20.1	2.52	25.0	18.9	2.34	25.3	18.3	2.25	25.4	17.7	2.16	25.5	16.5	1.99	25.8	
	60	21.3	2.69	25.5	20.1	2.50	25.8	18.9	2.32	26.0	18.3	2.23	26.2	17.7	2.14	26.3	16.5	1.97	26.5	
	96	21.3	2.63	27.2	20.1	2.44	27.4	18.9	2.27	27.5	18.3	2.18	27.6	17.7	2.09	27.7	16.5	1.93	27.8	
	120	21.3	2.61	27.8	20.1	2.43	27.9	18.9	2.25	28.0	18.3	2.16	28.1	17.7	2.08	28.1	16.5	1.92	28.3	
35	50	21.3	2.44	29.6	20.1	2.27	29.9	18.9	2.11	30.2	18.3	2.03	30.3	17.7	1.95	30.5	16.5	1.81	30.8	
	60	21.3	2.42	30.5	20.1	2.25	30.7	18.9	2.09	31.0	18.3	2.01	31.1	17.7	1.94	31.2	16.5	1.79	31.5	
	96	21.3	2.36	32.2	20.1	2.20	32.3	18.9	2.05	32.5	18.3	1.97	32.6	17.7	1.90	32.6	16.5	1.76	32.8	
	120	21.3	2.35	32.7	20.1	2.19	32.9	18.9	2.03	33.0	18.3	1.96	33.1	17.7	1.89	33.1	16.5	1.75	33.2	
40	50	21.3	2.38	34.6	20.1	2.21	34.9	18.9	2.06	35.2	18.3	1.98	35.3	17.7	1.91	35.5	16.5	1.76	35.8	
	60	21.3	2.36	35.5	20.1	2.19	35.7	18.9	2.04	36.0	18.3	1.96	36.1	17.7	1.89	36.2	16.5	1.75	36.5	
	96	21.3	2.30	37.2	20.1	2.15	37.3	18.9	2.00	37.5	18.3	1.92	37.6	17.7	1.85	37.6	16.5	1.72	37.8	
	120	21.3	2.29	37.7	20.1	2.13	37.9	18.9	1.98	38.0	18.3									

4 Capacity tables

4 - 3 Heating capacity tables

RWEYQ16PY1

TC: Total Capacity: kW ; PI: Power Input: kW (compressor + outdoor fan motor) ; OWT: Outlet Water Temperatur: °C

Combination (%)	Inlet Water Temp. (°C)	Water Volume L/min	Indoor air temperature: °CDB																	
			16.0			18.0			20.0			21.0			22.0			24.0		
			TC kW	PI kW	OWT °C	TC kW	PI kW	OWT °C	TC kW	PI kW	OWT °C	TC kW	PI kW	OWT °C	TC kW	PI kW	OWT °C	TC kW	PI kW	OWT °C
130	10	50	23.5	5.47	7.42	24.5	5.01	7.21	25.3	4.64	7.04	25.7	4.48	6.96	26.0	4.35	6.90	26.6	4.13	6.79
		60	29.2	5.46	7.17	29.8	5.16	7.05	30.4	4.94	6.96	30.6	4.86	6.93	30.8	4.80	6.89	31.1	4.72	6.85
		96	40.4	6.46	7.47	40.6	6.45	7.45	40.6	6.50	7.45	40.6	6.55	7.45	40.6	6.61	7.46	40.5	6.78	7.48
	15	50	42.5	6.63	9.86	42.6	6.67	9.85	42.6	6.77	9.87	42.5	6.83	9.88	42.5	6.91	9.90	42.3	7.12	9.96
		60	43.7	6.65	10.6	43.7	6.71	10.6	43.7	6.83	10.6	43.6	6.90	10.6	43.6	6.99	10.6	43.3	7.21	10.7
		96	46.9	6.75	12.0	46.8	6.86	12.0	46.7	7.02	12.0	46.5	7.12	12.1	46.4	7.23	12.1	46.1	7.48	12.1
	20	50	50.9	6.94	13.7	50.7	7.11	13.8	50.5	7.31	13.8	50.3	7.43	13.9	50.1	7.55	13.9	49.7	7.83	14.0
		60	51.3	6.96	14.7	51.1	7.13	14.8	50.8	7.34	14.8	50.6	7.46	14.8	50.5	7.58	14.9	50.0	7.86	15.0
		96	52.2	7.02	16.6	52.0	7.20	16.7	51.7	7.41	16.7	51.5	7.53	16.7	51.3	7.66	16.7	50.9	7.95	16.8
	25	50	56.1	7.28	18.0	55.8	7.49	18.1	55.4	7.73	18.2	55.2	7.86	18.2	54.9	8.00	18.3	54.4	8.31	18.4
		60	56.4	7.31	19.1	56.1	7.52	19.2	55.7	7.76	19.3	55.5	7.89	19.3	55.3	8.03	19.4	54.8	8.34	19.5
		96	57.4	7.38	21.3	57.1	7.60	21.3	56.7	7.84	21.4	56.4	7.98	21.4	56.2	8.12	21.4	55.6	8.43	21.5
30	50	61.2	7.67	22.3	60.8	7.91	22.4	60.3	8.17	22.5	60.0	8.31	22.6	59.7	8.46	22.7	59.6	7.92	23.0	
	60	61.6	7.70	23.6	61.1	7.94	23.6	60.7	8.20	23.7	60.4	8.34	23.8	60.1	8.49	23.8	59.6	7.83	24.2	
	96	62.6	7.78	25.9	62.2	8.02	26.0	61.6	8.29	26.0	61.4	8.43	26.0	60.8	8.49	26.1	59.6	7.61	26.3	
35	50	66.3	8.08	26.7	65.7	8.34	26.8	65.0	8.56	26.9	62.9	8.13	27.1	60.8	8.42	26.9	56.6	6.94	27.1	
	60	66.7	8.12	28.0	66.2	8.37	28.1	65.0	8.46	28.2	62.9	8.04	28.4	60.8	8.42	26.9	56.6	6.86	29.1	
	96	67.8	8.20	30.6	67.2	8.46	30.6	65.0	8.22	30.8	62.9	7.82	30.9	60.8	8.43	31.0	56.6	6.67	31.3	
40	50	71.3	8.50	31.0	69.2	8.31	31.3	65.0	8.23	31.9	62.9	7.83	32.1	60.8	7.44	32.3	56.6	6.70	32.8	
	60	71.8	8.54	32.4	69.2	8.21	32.7	65.0	8.14	33.2	62.9	7.74	33.4	60.8	7.36	33.6	56.6	6.63	34.0	
	96	72.9	8.62	35.2	69.2	7.98	35.4	65.0	7.91	35.7	62.9	7.53	35.9	60.8	7.16	36.0	56.6	6.45	36.3	
45	50	73.3	8.65	36.1	69.2	7.91	36.3	65.0	7.84	36.6	62.9	7.47	36.7	60.8	7.10	36.8	56.6	6.40	37.0	
	60	73.4	8.44	35.7	69.2	8.10	36.2	65.0	7.94	36.8	62.9	7.56	37.1	60.8	7.19	37.3	56.6	6.49	37.8	
	96	73.4	8.35	37.2	69.2	8.01	37.7	65.0	7.85	38.2	62.9	7.48	38.4	60.8	7.12	38.6	56.6	6.43	39.0	
120	10	50	24.8	4.87	7.15	25.5	4.55	7.00	26.1	4.30	6.87	26.4	4.20	6.82	26.6	4.11	6.78	27.0	3.99	6.71
		60	30.0	5.08	7.02	30.5	4.90	6.94	30.9	4.78	6.88	31.0	4.74	6.86	31.1	4.72	6.85	31.2	4.72	6.83
		96	40.6	6.46	7.45	40.7	6.53	7.45	40.6	6.64	7.47	40.5	6.72	7.48	40.5	6.81	7.49	40.2	7.03	7.52
	15	50	42.6	6.77	9.86	42.5	6.80	9.88	42.4	6.95	9.91	42.4	7.04	9.94	42.2	7.15	9.97	42.0	7.39	10.04
		60	43.7	6.75	10.6	43.7	6.87	10.6	43.5	7.03	10.6	43.4	7.13	10.7	43.3	7.24	10.7	43.0	7.50	10.8
		96	46.8	6.91	12.0	46.6	7.07	12.1	46.4	7.27	12.1	46.2	7.39	12.1	46.1	7.51	12.1	45.7	7.79	12.2
	20	50	50.6	7.17	13.8	50.4	7.37	13.8	50.1	7.60	13.9	49.9	7.73	14.0	49.7	7.87	14.0	49.2	8.17	14.1
		60	51.0	7.20	14.8	50.7	7.40	14.8	50.4	7.63	14.9	50.2	7.76	14.9	50.0	7.90	15.0	49.5	8.20	15.1
		96	51.9	7.27	16.7	51.6	7.47	16.7	51.2	7.71	16.8	51.0	7.84	16.8	50.8	7.98	16.8	50.3	8.29	16.9
	25	50	55.6	7.57	18.1	55.3	7.80	18.2	54.8	8.06	18.3	54.6	8.20	18.4	54.3	8.34	18.4	52.3	8.08	18.7
		60	56.0	7.60	19.2	55.6	7.83	19.3	55.2	8.09	19.4	54.9	8.23	19.4	54.7	8.38	19.5	52.3	7.99	19.7
		96	56.9	7.68	21.3	56.5	7.91	21.4	56.1	8.18	21.4	55.8	8.32	21.5	55.6	8.46	21.5	52.3	7.77	21.7
30	50	57.2	7.70	22.0	56.8	7.94	22.1	56.4	8.20	22.1	56.1	8.34	22.1	55.9	8.49	22.2	52.3	7.70	22.3	
	60	60.6	8.00	22.5	60.1	8.25	22.6	59.6	8.52	22.7	58.1	8.23	22.9	56.1	7.81	23.1	52.3	7.01	23.5	
	96	61.0	8.03	23.7	60.5	8.28	23.8	60.0	8.55	23.9	58.1	8.13	24.0	56.1	7.72	24.2	52.3	6.93	24.6	
35	50	62.0	8.11	26.0	61.5	8.37	26.0	60.0	8.32	26.1	58.1	7.91	26.3	56.1	7.51	26.4	52.3	6.74	26.6	
	60	62.3	8.14	26.8	61.8	8.39	26.8	60.0	8.24	26.9	58.1	7.83	27.0	56.1	7.44	27.1	52.3	6.68	27.3	
	96	62.3	8.14	26.8	61.8	8.39	26.8	60.0	8.24	26.9	58.1	7.83	27.0	56.1	7.44	27.1	52.3	6.68	27.3	
40	50	65.5	8.43	26.8	63.9	8.33	27.0	60.0	7.56	27.5	58.1	7.20	27.7	56.1	6.84	27.9	52.3	6.15	28.4	
	60	66.0	8.46	28.1	63.9	8.23	28.4	60.0	7.48	28.7	58.1	7.12	28.9	56.1	6.77	29.1	52.3	6.09	29.5	
	96	67.0	8.55	30.6	63.9	8.00	30.8	60.0	7.27	31.1	58.1	6.92	31.2	56.1	6.58	31.3	52.3	5.93	31.5	
45	50	67.4	8.58	31.5	63.9	7.93	31.7	60.0	7.21	31.8	58.1	6.86	31.9	56.1	6.53	32.0	52.3	5.88	32.2	
	60	67.7	8.03	31.4	63.9	8.01	32.0	60.0	7.29	32.4	58.1	6.95	32.7	56.1	6.61	32.9	52.3	5.97	33.4	
	96	67.7	7.95	32.9	63.9	7.92	33.3	60.0	7.21	33.7	58.1	6.87	33.9	56.1	6.54	34.1	52.3	5.90	34.5	
110	10	50	25.8	4.43	6.93	26.3	4.22	6.83	26.7	4.07	6.75	26.9	4.02	6.72	27.0	3.98	6.70	27.2	3.94	6.66
		60	30.7	4.83	6.91	31.0	4.75	6.87	31.2	4.71	6.84	31.2	4.71	6.83	31.3	4.73	6.83	31.3	4.80	6.84
		96	40.6	6.57	7.46	40.6	6.70	7.47	40.4	6.87	7.50	40.3	6.97	7.51	40.2	7.08	7.53	39.9	7.33	7.57
	15	50	42.6	6.94	7.87	42.5	7.10	7.89	42.3	7.30	7.91	42.1	7.42	7.93	42.0	7.54	7.94	41.7	7.82	7.98
		60	42.5	6.86	9.89	42.4	7.02	9.93	42.2	7.22	9.99	42.0	7.33	10.02	41.9	7.45	10.06	41.6	7.73	10.15
		96	43.6	6.94	10.6	43.5	7.11	10.7	43.2	7.32	10.7	43.1	7.43	10.7	42.9	7.56	10.8	42.6	7.84	10.9
	20	50	46.5	7.16	12.1	46.3	7.36	12.1	46.0	7.59	12.1	45.8	7.72	12.2	45.6	7.85	12.2	45.2	8.15	12.2
		60	47.5	7.25	12.6	47.3	7.45	12.6	46.9	7.89	12.7	46.7	7.82	12.7	46.5	7.96	12.7	46.1	8.26	12.7
		96	50.2	7.48	13.9	49.9	7.70	14.0	49.5	7.95	14.0	49.3	8.09	14.1	49.1	8.24	14.1	47.9	8.26	14.3
	25	50	50.6	7.51	14.9	50.2	7.73	14.9	49.8	7.99	15.0	49.6	8.12	15.0	49.4	8.27	15.1	47.9	8.17	15.3
		60	51.4	7.58	16.7	51.1	7.81	16.8	50.7	8.07	16.8	50.4	8.21	16.8	50.2	8.35	16.9	47.9	7.94	17.0

4 Capacity tables

4 - 3 Heating capacity tables

RWEYQ16PY1																				
TC: Total Capacity: kW ; PI: Power Input: kW (compressor + outdoor fan motor) ; OWT: Outlet Water Temperatur: °C																				
Combination (%)	Inlet Water Temp. (°C)	Water Volume L/min	Indoor air temperature: °CDB																	
			16.0			18.0			20.0			21.0			22.0			24.0		
			TC kW	PI kW	OWT °C	TC kW	PI kW	OWT °C	TC kW	PI kW	OWT °C	TC kW	PI kW	OWT °C	TC kW	PI kW	OWT °C	TC kW	PI kW	OWT °C
100	10	50	26.6	4.12	6.78	28.9	4.02	6.72	27.1	3.96	6.68	27.2	3.94	6.67	27.3	3.94	6.66	27.3	3.98	6.65
		60	31.1	4.72	6.85	31.2	4.71	6.83	31.3	4.75	6.83	31.3	4.79	6.84	31.3	4.84	6.85	31.2	4.96	6.87
		96	40.5	6.80	7.49	40.3	6.97	7.51	40.1	7.18	7.54	39.9	7.30	7.56	39.8	7.42	7.58	39.4	7.70	7.63
		120	42.4	7.22	7.90	42.1	7.42	7.93	41.9	7.65	7.96	41.7	7.78	7.97	41.5	7.92	7.99	41.1	8.22	8.03
	15	50	42.3	7.13	9.97	42.0	7.33	10.02	41.8	7.56	10.10	41.6	7.69	10.14	41.4	7.82	10.18	41.1	8.12	10.28
		60	43.3	7.23	10.7	43.1	7.43	10.7	42.8	7.67	10.8	42.6	7.80	10.8	42.4	7.94	10.9	42.0	8.24	11.0
		96	46.1	7.49	12.1	45.8	7.72	12.2	45.4	7.97	12.2	45.2	8.11	12.2	45.0	8.25	12.3	43.6	8.11	12.4
		120	47.1	7.59	12.6	46.7	7.82	12.7	46.4	8.08	12.7	46.2	8.22	12.7	45.9	8.37	12.8	43.6	7.83	12.9
	20	50	49.7	7.85	14.0	49.3	8.09	14.1	48.9	8.36	14.2	48.4	8.39	14.3	46.8	7.96	14.4	43.6	7.14	14.8
		60	50.0	7.88	15.0	49.6	8.13	15.0	49.2	8.39	15.1	48.4	8.29	15.2	46.8	7.87	15.4	43.6	7.06	15.6
		96	50.8	7.96	16.8	50.4	8.21	16.8	50.0	8.48	16.9	48.4	8.06	17.0	46.8	7.65	17.1	43.6	6.87	17.3
		120	51.1	7.99	17.4	50.7	8.24	17.5	50.0	8.40	17.5	48.4	7.99	17.6	46.8	7.58	17.7	43.6	6.81	17.8
25	50	54.4	8.32	18.4	53.2	8.31	18.6	50.0	7.54	18.9	48.4	7.18	19.1	46.8	6.82	19.3	43.6	6.14	19.6	
	60	54.7	8.36	19.5	53.2	8.21	19.6	50.0	7.46	19.9	48.4	7.10	20.1	46.8	6.75	20.2	43.6	6.07	20.5	
	96	55.6	8.44	21.5	53.2	7.98	21.6	50.0	7.26	21.8	48.4	6.91	21.9	46.8	6.57	22.0	43.6	5.91	22.2	
	120	55.9	8.47	22.2	53.2	7.91	22.3	50.0	7.19	22.4	48.4	6.85	22.5	46.8	6.51	22.6	43.6	5.86	22.7	
30	50	56.4	7.87	23.0	53.2	7.19	23.4	50.0	6.55	23.8	48.4	6.24	24.0	46.8	5.94	24.1	43.6	5.36	24.5	
	60	56.4	7.78	24.2	53.2	7.12	24.5	50.0	6.48	24.8	48.4	6.18	25.0	46.8	5.88	25.1	43.6	5.31	25.4	
	96	56.4	7.56	26.4	53.2	6.92	26.5	50.0	6.31	26.7	48.4	6.01	26.8	46.8	5.72	26.9	43.6	5.17	27.1	
	120	56.4	7.50	27.1	53.2	6.86	27.2	50.0	6.25	27.4	48.4	5.96	27.5	46.8	5.68	27.5	43.6	5.13	27.7	
35	50	56.4	6.89	27.9	53.2	6.32	28.3	50.0	5.77	28.7	48.4	5.50	28.9	46.8	5.24	29.0	43.6	4.75	29.4	
	60	56.4	6.82	29.1	53.2	6.25	29.4	50.0	5.71	29.7	48.4	5.45	29.9	46.8	5.19	30.0	43.6	4.70	30.4	
	96	56.4	6.63	31.3	53.2	6.08	31.5	50.0	5.56	31.7	48.4	5.31	31.8	46.8	5.06	31.9	43.6	4.59	32.1	
	120	56.4	6.57	32.0	53.2	6.03	32.2	50.0	5.51	32.3	48.4	5.26	32.4	46.8	5.02	32.5	43.6	4.55	32.7	
40	50	56.4	6.66	32.9	53.2	6.12	33.3	50.0	5.60	33.6	48.4	5.35	33.8	46.8	5.11	34.0	43.6	4.63	34.4	
	60	56.4	6.59	34.0	53.2	6.05	34.4	50.0	5.54	34.7	48.4	5.30	34.9	46.8	5.06	35.0	43.6	4.59	35.3	
	96	56.4	6.41	36.3	53.2	5.90	36.5	50.0	5.40	36.7	48.4	5.17	36.8	46.8	4.93	36.9	43.6	4.47	37.1	
	120	56.4	6.36	37.0	53.2	5.85	37.2	50.0	5.36	37.3	48.4	5.12	37.4	46.8	4.89	37.5	43.6	4.44	37.7	
45	50	56.4	6.46	37.8	53.2	5.95	38.2	50.0	5.46	38.3	48.4	5.22	38.8	46.8	4.98	39.0	43.6	4.52	39.4	
	60	56.4	6.39	39.0	53.2	5.89	39.3	50.0	5.40	39.7	48.4	5.17	39.8	46.8	4.93	40.0	43.6	4.47	40.3	
	96	56.4	6.23	41.3	53.2	5.74	41.5	50.0	5.27	41.7	48.4	5.04	41.8	46.8	4.81	41.9	43.6	4.36	42.1	
	120	56.4	6.18	42.0	53.2	5.69	42.2	50.0	5.23	42.3	48.4	5.00	42.4	46.8	4.77	42.5	43.6	4.33	42.7	
90	10	50	27.1	3.97	6.69	27.2	3.94	6.66	27.3	3.98	6.65	27.3	3.98	6.65	27.3	4.01	6.66	27.3	4.10	6.68
		60	31.3	4.74	6.83	31.3	4.80	6.84	31.2	4.90	6.86	31.1	4.96	6.87	31.1	5.03	6.89	30.9	5.20	6.93
		96	40.1	7.12	7.54	39.9	7.34	7.57	39.6	7.57	7.61	39.4	7.70	7.63	39.3	7.84	7.65	38.9	8.14	7.71
		120	41.9	7.59	7.95	41.7	7.82	7.98	41.3	8.08	8.01	41.1	8.22	8.03	40.9	8.37	8.05	39.2	8.01	8.14
	15	50	41.8	7.50	10.08	41.6	7.73	10.15	41.2	7.98	10.23	41.1	8.12	10.28	40.9	8.27	10.3	39.2	7.96	10.5
		60	42.9	7.61	10.8	42.6	7.85	10.9	42.2	8.11	10.9	42.0	8.25	11.0	41.8	8.39	11.0	39.2	7.64	11.2
		96	45.5	7.91	12.2	45.2	8.15	12.2	44.8	8.42	12.3	43.6	8.10	12.4	42.1	7.69	12.4	39.2	6.90	12.6
		120	46.5	8.02	12.7	46.1	8.27	12.7	45.0	8.23	12.8	43.6	7.82	12.9	42.1	7.43	12.9	39.2	6.67	13.1
	20	50	49.0	8.29	14.2	47.9	8.25	14.3	45.0	7.50	14.6	43.6	7.13	14.8	42.1	6.78	14.9	39.2	6.10	15.3
		60	49.3	8.33	15.1	47.9	8.16	15.3	45.0	7.41	15.5	43.6	7.05	15.6	42.1	6.71	15.8	39.2	6.03	16.0
		96	50.1	8.41	16.9	47.9	7.93	17.0	45.0	7.21	17.2	43.6	6.86	17.3	42.1	6.52	17.3	39.2	5.88	17.5
		120	50.4	8.44	17.5	47.9	7.86	17.6	45.0	7.14	17.7	43.6	6.80	17.8	42.1	6.47	17.9	39.2	5.82	18.0
25	50	50.8	7.73	18.8	47.9	7.07	19.1	45.0	6.44	19.5	43.6	6.13	19.6	42.1	5.84	19.8	39.2	5.27	20.1	
	60	50.8	7.64	19.8	47.9	6.99	20.1	45.0	6.37	20.4	43.6	6.07	20.5	42.1	5.78	20.7	39.2	5.22	20.9	
	96	50.8	7.43	21.8	47.9	6.80	21.9	45.0	6.20	22.1	43.6	5.91	22.2	42.1	5.63	22.3	39.2	5.09	22.5	
	120	50.8	7.36	22.4	47.9	6.74	22.5	45.0	6.14	22.7	43.6	5.86	22.7	42.1	5.58	22.8	39.2	5.04	23.0	
30	50	50.8	6.70	23.7	47.9	6.15	24.0	45.0	5.62	24.4	43.6	5.36	24.5	42.1	5.11	24.7	39.2	4.63	25.0	
	60	50.8	6.63	24.7	47.9	6.08	25.0	45.0	5.56	25.3	43.6	5.30	25.4	42.1	5.06	25.6	39.2	4.58	25.9	
	96	50.8	6.45	26.7	47.9	5.92	26.9	45.0	5.41	27.0	43.6	5.17	27.1	42.1	4.93	27.2	39.2	4.47	27.4	
	120	50.8	6.40	27.4	47.9	5.87	27.5	45.0	5.37	27.6	43.6	5.13	27.7	42.1	4.89	27.8	39.2	4.44	27.9	
35	50	50.8	5.90	28.6	47.9	5.42	28.9	45.0	4.97	29.3	43.6	4.75	29.4	42.1	4.53	29.6	39.2	4.12	30.0	
	60	50.8	5.84	29.6	47.9	5.37	29.9	45.0	4.92	30.2	43.6	4.70	30.4	42.1	4.49	30.5	39.2	4.08	30.8	
	96	50.8	5.68	31.6	47.9	5.23	31.8	45.0	4.79	32.0	43.6	4.58	32.1	42.1	4.38	32.2	39.2	3.99	32.4	
	120	50.8	5.64	32.3	47.9	5.19	32.5	45.0	4.75	32.6	43.6	4.55	32.7	42.1	4.34	32.7	39.2	3.96	32.9	
40	50	50.8	5.72	33.5	47.9	5.27	33.9	45.0	4.84	34.2	43.6	4.63	34.4	42.1	4.42	34.6	39.2	4.02	35.0	
	60	50.8	5.67	34.6	47.9	5.22	34.9	45.0	4.79	35.2	43.6	4.58	35.3	42.1	4.42	35.5	39.2	3.98	35.8	
	96	50.8	5.52	36.6	47.9	5.09	36.8	45.0	4.67	37.0	43.6	4.47	37.1	42.1	4.27	37.2	39.2	3.89	37.4	
	120	50.8	5.48	37.3	47.9	5.05	37.4	45.0	4.64											

4 Capacity tables

4 - 3 Heating capacity tables

RWEYQ16PY1

TC: Total Capacity: kW ; PI: Power Input: kW (compressor + outdoor fan motor) ; OWT: Outlet Water Temperatur: °C

Combination (%)	Inlet Water Temp. (°C)	Water Volume L/min	Indoor air temperature: °CDB																	
			16.0			18.0			20.0			21.0			22.0			24.0		
			TC kW	PI kW	OWT °C	TC kW	PI kW	OWT °C	TC kW	PI kW	OWT °C	TC kW	PI kW	OWT °C	TC kW	PI kW	OWT °C	TC kW	PI kW	OWT °C
70	10	50	27.3	4.09	6.68	27.2	4.19	6.71	27.0	4.31	6.74	27.0	4.38	6.76	26.9	4.45	6.79	26.6	4.61	6.84
		60	30.9	5.18	6.93	30.7	5.33	6.97	30.5	5.51	7.01	30.4	5.60	7.04	30.3	5.70	7.07	30.0	5.92	7.13
		96	38.9	8.11	7.70	37.3	7.67	7.79	35.0	6.97	7.91	33.9	6.64	7.97	32.8	6.31	8.03	30.5	5.68	8.15
	15	50	39.5	8.10	8.13	37.3	7.40	8.22	35.0	6.74	8.31	33.9	6.42	8.36	32.8	6.11	8.41	30.5	5.51	8.51
		60	39.5	8.05	10.49	37.3	7.35	10.71	35.0	6.69	10.94	33.9	6.37	11.1	32.8	6.06	11.2	30.5	5.47	11.4
		96	39.5	7.72	11.2	37.3	7.06	11.4	35.0	6.43	11.6	33.9	6.13	11.7	32.8	5.83	11.8	30.5	5.27	12.0
	20	50	39.5	6.98	12.6	37.3	6.39	12.7	35.0	5.83	12.8	33.9	5.56	12.9	32.8	5.30	13.0	30.5	4.80	13.1
		60	39.5	6.74	13.0	37.3	6.18	13.1	35.0	5.64	13.2	33.9	5.38	13.3	32.8	5.13	13.4	30.5	4.65	13.5
		96	39.5	6.16	15.2	37.3	5.66	15.5	35.0	5.18	15.7	33.9	4.85	15.9	32.8	4.72	16.0	30.5	4.28	16.2
	25	50	39.5	5.94	17.5	37.3	5.45	17.6	35.0	4.99	17.8	33.9	4.77	17.8	32.8	4.56	17.9	30.5	4.14	18.0
		60	39.5	5.89	18.0	37.3	5.41	18.1	35.0	4.95	18.2	33.9	4.73	18.3	32.8	4.52	18.3	30.5	4.11	18.4
		96	39.5	5.33	20.1	37.3	4.90	20.4	35.0	4.50	20.6	33.9	4.31	20.8	32.8	4.12	20.9	30.5	3.75	21.2
30	50	39.5	5.27	20.9	37.3	4.86	21.1	35.0	4.46	21.4	33.9	4.27	21.5	32.8	4.08	21.6	30.5	3.72	21.8	
	60	39.5	5.14	22.4	37.3	4.73	22.6	35.0	4.35	22.7	33.9	4.16	22.8	32.8	3.98	22.9	30.5	3.63	23.0	
	96	39.5	5.09	22.9	37.3	4.70	23.1	35.0	4.32	23.2	33.9	4.13	23.2	32.8	3.95	23.3	30.5	3.61	23.4	
35	50	39.5	4.68	25.0	37.3	4.32	25.3	35.0	3.98	25.6	33.9	3.81	25.7	32.8	3.65	25.8	30.5	3.34	26.1	
	60	39.5	4.63	25.8	37.3	4.28	26.1	35.0	3.94	26.3	33.9	3.78	26.4	32.8	3.62	26.5	30.5	3.31	26.8	
	96	39.5	4.52	27.4	37.3	4.17	27.5	35.0	3.85	27.7	33.9	3.69	27.7	32.8	3.54	27.8	30.5	3.24	28.0	
40	50	39.5	4.48	27.9	37.3	4.14	28.0	35.0	3.82	28.1	33.9	3.66	28.2	32.8	3.51	28.3	30.5	3.22	28.4	
	60	39.5	4.16	29.9	37.3	3.85	30.2	35.0	3.56	30.5	33.9	3.42	30.6	32.8	3.28	30.8	30.5	3.01	31.1	
	96	39.5	4.12	30.8	37.3	3.82	31.0	35.0	3.53	31.2	33.9	3.39	31.4	32.8	3.25	31.5	30.5	2.99	31.7	
45	50	39.5	4.02	32.4	37.3	3.73	32.5	35.0	3.45	32.6	33.9	3.31	32.7	32.8	3.18	32.8	30.5	2.93	32.9	
	60	39.5	3.99	32.9	37.3	3.70	33.0	35.0	3.42	33.1	33.9	3.29	33.2	32.8	3.16	33.2	30.5	2.91	33.4	
	96	39.5	4.06	34.9	37.3	3.76	35.2	35.0	3.47	35.5	33.9	3.33	35.6	32.8	3.20	35.8	30.5	2.94	36.1	
50	50	39.5	4.02	35.8	37.3	3.72	36.0	35.0	3.44	36.2	33.9	3.30	36.3	32.8	3.17	36.5	30.5	2.91	36.7	
	60	39.5	3.92	37.3	37.3	3.64	37.5	35.0	3.36	37.6	33.9	3.23	37.7	32.8	3.10	37.8	30.5	2.85	37.9	
	96	39.5	3.89	37.9	37.3	3.61	38.0	35.0	3.34	38.1	33.9	3.21	38.2	32.8	3.08	38.2	30.5	2.83	38.3	
55	50	39.5	3.96	39.9	37.3	3.66	40.2	35.0	3.38	40.5	33.9	3.25	40.6	32.8	3.12	40.8	30.5	2.86	41.0	
	60	39.5	3.92	40.8	37.3	3.63	41.0	35.0	3.35	41.2	33.9	3.22	41.3	32.8	3.09	41.5	30.5	2.84	41.7	
	96	39.5	3.82	42.3	37.3	3.55	42.5	35.0	3.28	42.6	33.9	3.15	42.7	32.8	3.02	42.8	30.5	2.78	42.9	
60	50	39.5	3.80	42.9	37.3	3.52	43.0	35.0	3.26	43.1	33.9	3.13	43.2	32.8	3.00	43.2	30.5	2.76	43.3	
	60	27.0	4.38	6.76	26.8	4.51	6.81	26.6	4.65	6.86	26.5	4.73	6.88	26.4	4.82	6.91	26.1	5.00	6.98	
	96	30.4	5.60	7.04	30.1	5.78	7.09	29.9	5.97	7.14	29.0	5.72	7.22	28.1	5.43	7.30	26.1	4.88	7.46	
65	50	33.9	6.63	7.97	31.9	6.08	8.07	30.0	5.55	8.17	29.0	5.29	8.23	28.1	5.04	8.28	26.1	4.57	8.39	
	60	33.9	6.41	8.36	31.9	5.88	8.44	30.0	5.38	8.53	29.0	5.14	8.57	28.1	4.90	8.62	26.1	4.44	8.70	
	96	33.9	6.37	11.1	31.9	5.84	11.3	30.0	5.34	11.5	29.0	5.10	11.6	28.1	4.86	11.7	26.1	4.41	11.9	
70	50	33.9	6.12	11.7	31.9	5.62	11.9	30.0	5.14	12.0	29.0	4.91	12.1	28.1	4.69	12.2	26.1	4.26	12.4	
	60	33.9	5.56	12.9	31.9	5.11	13.0	30.0	4.69	13.1	29.0	4.48	13.2	28.1	4.28	13.2	26.1	3.90	13.3	
	96	33.9	5.38	13.3	31.9	4.95	13.4	30.0	4.55	13.5	29.0	4.35	13.5	28.1	4.16	13.6	26.1	3.79	13.7	
75	50	33.9	4.94	15.9	31.9	4.56	16.1	30.0	4.19	16.3	29.0	4.01	16.4	28.1	3.84	16.5	26.1	3.51	16.8	
	60	33.9	4.89	16.5	31.9	4.51	16.7	30.0	4.15	16.9	29.0	3.98	17.0	28.1	3.81	17.1	26.1	3.48	17.3	
	96	33.9	4.77	17.8	31.9	4.40	17.9	30.0	4.05	18.1	29.0	3.88	18.1	28.1	3.72	18.2	26.1	3.40	18.3	
80	50	33.9	4.73	18.3	31.9	4.37	18.4	30.0	4.02	18.4	29.0	3.85	18.5	28.1	3.69	18.5	26.1	3.37	18.6	
	60	33.9	4.30	20.8	31.9	3.98	21.0	30.0	3.68	21.2	29.0	3.53	21.3	28.1	3.38	21.5	26.1	3.10	21.7	
	96	33.9	4.26	21.5	31.9	3.95	21.7	30.0	3.64	21.9	29.0	3.50	22.0	28.1	3.35	22.0	26.1	3.08	22.2	
85	50	33.9	4.16	22.8	31.9	3.85	22.9	30.0	3.56	23.0	29.0	3.42	23.1	28.1	3.28	23.2	26.1	3.01	23.3	
	60	33.9	4.13	23.2	31.9	3.82	23.3	30.0	3.53	23.4	29.0	3.39	23.5	28.1	3.25	23.5	26.1	2.99	23.6	
	96	33.9	3.81	25.7	31.9	3.54	25.9	30.0	3.27	26.2	29.0	3.15	26.3	28.1	3.02	26.4	26.1	2.79	26.7	
90	50	33.9	3.77	26.4	31.9	3.50	26.6	30.0	3.25	26.8	29.0	3.12	26.9	28.1	3.00	27.0	26.1	2.76	27.2	
	60	33.9	3.69	27.7	31.9	3.43	27.9	30.0	3.18	28.0	29.0	3.05	28.1	28.1	2.94	28.1	26.1	2.71	28.3	
	96	33.9	3.66	28.2	31.9	3.40	28.3	30.0	3.15	28.4	29.0	3.03	28.4	28.1	2.92	28.5	26.1	2.69	28.6	
95	50	33.9	3.42	30.6	31.9	3.18	30.9	30.0	2.96	31.1	29.0	2.85	31.2	28.1	2.74	31.4	26.1	2.53	31.6	
	60	33.9	3.39	31.4	31.9	3.15	31.6	30.0	2.93	31.8	29.0	2.82	31.9	28.1	2.72	32.0	26.1	2.51	32.2	
	96	33.9	3.31	32.7	31.9	3.09	32.8	30.0	2.87	33.0	29.0	2.77	33.0	28.1	2.66	33.1	26.1	2.47	33.2	
100	50	33.9	3.29	33.2	31.9	3.06	33.3	30.0	2.85	33.4	29.0	2.75	33.4	28.1	2.65	33.5	26.1	2.45	33.6	
	60	33.9	3.33	35.6	31.9	3.10	35.9	30.0	2.88	36.1	29.0	2.78	36.2	28.1	2.67	36.4	26.1	2.47	36.6	
	96	33.9	3.30	36.4	31.9	3.08	36.6	30.0	2.86	36.8	29.0	2.75	36.9	28.1	2.65	37.0	26.1	2.45	37.2	
105	50	33.9	3.23	37.7	31.9	3.01	37.8	30.0	2.80	38.0	29.0	2.70	38.0	28.1	2.60	38.1	26.1	2.40	38.2	
	60	33.9	3.21	38.2	31.9	2.99	38.3	30.0	2.78	38.4	29.0	2.68	38.4	28.1	2.58	38.5	26.1	2.39	38.6	
	96	33.9	3.25																	

4 Capacity tables

4 - 3 Heating capacity tables

RWEYQ18PY1

TC: Total Capacity: kW ; PI: Power Input: kW (compressor + outdoor fan motor) ; OWT: Outlet Water Temperatur: °C

Combination (%)	Inlet Water Temp. (°C)	Water Volume L/min	Indoor air temperature: °CDB																	
			16.0			18.0			20.0			21.0			22.0			24.0		
			TC	PI	OWT	TC	PI	OWT	TC	PI	OWT	TC	PI	OWT	TC	PI	OWT	TC	PI	OWT
130	10	50	26.5	6.64	7.15	27.6	6.08	6.91	28.6	5.63	6.71	29.0	5.44	6.62	29.4	5.27	6.54	30.0	5.01	6.42
		60	32.9	6.62	6.86	33.7	6.27	6.72	34.3	6.00	6.62	34.6	5.90	6.57	34.8	5.82	6.54	35.1	5.73	6.49
		96	45.7	7.83	7.18	45.9	7.83	7.16	45.9	7.89	7.16	45.9	7.95	7.16	45.9	8.03	7.17	45.8	8.23	7.20
		120	48.1	8.14	7.61	48.2	8.19	7.61	48.2	8.30	7.62	48.2	8.39	7.62	48.1	8.49	7.63	47.9	8.74	7.66
	15	50	48.0	8.05	9.27	48.1	8.10	9.27	48.1	8.21	9.28	48.1	8.29	9.30	48.0	8.39	9.32	47.8	8.64	9.39
		60	49.4	8.07	10.07	49.4	8.15	10.07	49.4	8.28	10.09	49.3	8.38	10.11	49.2	8.49	10.13	49.0	8.75	10.2
		96	52.9	8.19	11.7	52.9	8.32	11.7	52.7	8.52	11.7	52.6	8.64	11.7	52.5	8.77	11.7	52.1	9.07	11.8
		120	54.2	8.25	12.3	54.1	8.40	12.3	53.9	8.61	12.3	53.8	8.74	12.3	53.6	8.88	12.3	53.2	9.19	12.4
	20	50	57.5	8.43	13.0	57.3	8.62	13.0	57.0	8.87	13.1	56.8	9.01	13.1	56.6	9.16	13.2	56.2	9.50	13.3
		60	57.9	8.45	14.1	57.7	8.65	14.1	57.4	8.90	14.2	57.2	9.05	14.2	57.0	9.20	14.3	56.5	9.54	14.4
		96	58.9	8.52	16.2	58.7	8.73	16.3	58.4	8.99	16.3	58.2	9.14	16.3	58.0	9.29	16.4	57.5	9.64	16.4
		120	59.3	8.54	17.0	59.0	8.76	17.0	58.7	9.02	17.0	58.5	9.17	17.1	58.3	9.32	17.1	57.8	9.67	17.1
25	50	63.4	8.84	17.2	63.0	9.09	17.3	62.6	9.38	17.4	62.3	9.54	17.4	62.1	9.71	17.5	61.5	10.1	17.6	
	60	63.8	8.87	18.4	63.4	9.13	18.5	63.0	9.42	18.6	62.7	9.58	18.7	62.5	9.75	18.7	61.9	10.1	18.8	
	96	64.9	8.95	20.8	64.5	9.22	20.9	64.0	9.52	20.9	63.8	9.68	21.0	63.5	9.85	21.0	62.9	10.2	21.1	
	120	65.2	8.98	21.6	64.8	9.25	21.7	64.4	9.55	21.7	64.1	9.71	18.5	63.8	9.88	21.8	63.2	10.3	21.8	
30	50	69.1	9.31	21.4	68.7	9.60	21.5	68.1	9.91	21.7	67.8	10.1	21.7	67.5	10.3	21.8	64.0	9.60	22.2	
	60	69.6	9.35	22.8	69.1	9.63	22.9	68.5	9.95	23.0	68.2	10.1	23.1	67.9	10.3	23.1	64.0	9.50	23.5	
	96	70.7	9.44	25.4	70.2	9.74	25.5	69.7	10.1	25.6	69.3	10.2	25.6	68.7	10.3	25.6	64.0	9.23	25.9	
	120	71.1	9.47	26.3	70.6	9.77	26.4	70.0	10.1	26.4	69.7	10.3	26.5	68.7	10.2	26.5	64.0	9.15	26.7	
35	50	74.9	9.81	25.7	74.3	10.1	25.8	73.5	10.4	26.0	71.1	9.87	26.2	68.7	9.37	26.5	64.0	8.41	27.0	
	60	75.3	9.85	27.2	74.8	10.2	27.3	73.5	10.3	27.5	71.1	9.76	27.7	68.7	9.27	27.9	64.0	8.32	28.3	
	96	76.6	9.95	30.0	76.0	10.3	30.1	73.5	9.98	30.3	71.1	9.49	30.4	68.7	9.01	30.5	64.0	8.09	30.8	
	120	77.0	9.99	31.0	76.4	10.3	31.1	73.5	9.89	31.2	71.1	9.40	31.3	68.7	8.93	31.4	64.0	8.02	31.7	
40	50	80.6	10.3	29.9	78.2	10.1	30.2	73.5	9.98	30.9	71.1	9.50	31.2	68.7	9.03	31.4	64.0	8.13	32.0	
	60	81.1	10.4	31.6	78.2	9.97	31.9	73.5	9.87	32.4	71.1	9.40	32.6	68.7	8.93	32.9	64.0	8.04	33.3	
	96	82.4	10.5	34.6	78.2	9.69	34.9	73.5	9.60	35.2	71.1	9.14	35.4	68.7	8.69	35.5	64.0	7.83	35.8	
	120	82.8	10.5	35.7	78.2	9.60	35.9	73.5	9.51	36.2	71.1	9.06	36.3	68.7	8.61	36.4	64.0	7.76	36.6	
45	50	82.9	10.2	34.6	78.2	9.83	35.2	73.5	9.63	35.9	71.1	9.17	36.1	68.7	8.73	36.4	64.0	7.88	37.0	
	60	82.9	10.1	36.3	78.2	9.72	36.8	73.5	9.53	37.4	71.1	9.08	37.6	68.7	8.64	37.8	64.0	7.80	38.3	
	96	82.9	9.85	39.5	78.2	9.45	39.9	73.5	9.27	40.2	71.1	8.84	40.4	68.7	8.41	40.5	64.0	7.60	40.8	
	120	82.9	9.96	40.6	78.2	9.36	40.9	73.5	9.19	41.2	71.1	8.76	41.2	68.7	8.34	41.4	64.0	7.54	41.6	
120	10	50	28.0	5.91	6.83	28.8	5.52	6.66	29.5	5.21	6.52	29.8	5.09	6.46	30.1	4.99	6.41	30.5	4.85	6.33
		60	33.9	6.16	6.68	34.5	5.94	6.59	34.9	5.80	6.53	35.0	5.75	6.50	35.2	5.72	6.49	35.3	5.73	6.47
		96	45.9	7.84	7.16	45.9	7.92	7.16	45.9	8.06	7.18	45.8	8.15	7.19	45.7	8.26	7.20	45.5	8.53	7.24
		120	48.2	8.22	7.61	48.2	8.35	7.62	48.1	8.53	7.64	48.0	8.65	7.65	47.8	8.78	7.67	47.5	9.08	7.70
	15	50	48.1	8.13	9.27	48.1	8.25	9.29	48.0	8.43	9.34	47.9	8.55	9.37	47.7	8.67	9.40	47.4	8.97	9.49
		60	49.4	8.19	10.07	49.4	8.33	10.10	49.2	8.53	10.14	49.1	8.66	10.17	48.9	8.79	10.2	48.6	9.10	10.3
		96	52.8	8.39	11.7	52.7	8.58	11.7	52.4	8.82	11.7	52.2	8.96	11.8	52.1	9.11	11.8	51.6	9.45	11.9
		120	54.0	8.47	12.3	53.8	8.68	12.3	53.5	8.93	12.3	53.3	9.08	12.4	53.2	9.23	12.4	52.7	9.58	12.4
	20	50	57.2	8.71	13.0	56.9	8.95	13.1	56.6	9.23	13.2	56.3	9.38	13.3	56.1	9.55	13.3	55.6	9.91	13.5
		60	57.6	8.74	14.2	57.3	8.98	14.2	56.9	9.26	14.3	56.7	9.42	14.4	56.5	9.59	14.4	55.9	9.95	14.5
		96	58.6	8.82	16.3	58.3	9.07	16.3	57.9	9.36	16.4	57.7	9.52	16.4	57.4	9.69	16.4	56.9	10.1	16.5
		120	58.9	8.84	17.0	58.6	9.10	17.0	58.2	9.39	17.1	58.0	9.55	17.1	57.7	9.72	17.1	57.2	10.1	17.2
25	50	62.9	9.19	17.3	62.5	9.47	17.4	62.0	9.78	17.5	61.7	9.95	17.6	61.4	10.1	17.7	59.1	9.81	17.9	
	60	63.3	9.22	18.5	62.9	9.51	18.6	62.4	9.82	18.7	62.1	9.99	18.8	61.8	10.2	18.8	59.1	9.70	19.1	
	96	64.3	9.32	20.9	63.9	9.60	20.9	63.4	9.92	21.0	63.1	10.1	21.0	62.8	10.3	21.1	59.1	9.43	21.3	
	120	64.7	9.35	21.7	64.2	9.64	21.7	63.7	9.95	21.8	63.4	10.1	21.8	63.1	10.3	21.8	59.1	9.34	22.0	
30	50	68.5	9.70	21.6	67.9	10.0	21.7	67.4	10.3	21.8	65.6	9.98	22.0	63.4	9.47	22.3	59.1	8.50	22.8	
	60	68.9	9.74	22.9	68.4	10.0	23.0	67.8	10.4	23.1	65.6	9.87	23.3	63.4	9.37	23.5	59.1	8.41	23.9	
	96	70.0	9.84	25.5	69.5	10.2	25.6	67.8	10.1	25.7	65.6	9.59	25.8	63.4	9.11	25.9	59.1	8.18	26.2	
	120	70.4	9.88	26.4	69.8	10.2	26.4	67.8	10.00	26.5	65.6	9.51	26.6	63.4	9.03	26.8	59.1	8.11	27.0	
35	50	74.1	10.2	25.9	72.2	10.1	26.1	67.8	9.18	26.6	65.6	8.73	26.8	63.4	8.30	27.1	59.1	7.47	27.6	
	60	74.5	10.3	27.3	72.2	9.99	27.6	67.8	9.08	28.0	65.6	8.64	28.2	63.4	8.21	28.4	59.1	7.39	28.8	
	96	75.7	10.4	30.1	72.2	9.71	30.3	67.8	8.83	30.6	65.6	8.40	30.7	63.4	7.99	30.9	59.1	7.19	31.1	
	120	76.1	10.4	31.1	72.2	9.62	31.3	67.8	8.75	31.5	65.6	8.33	31.6	63.4	7.92	31.7	59.1	7.13	31.9	
40	50	76.5	9.75	30.4	72.2	9.71	31.1	67.8	8.85	31.6	65.6	8.43	31.8	63.4	8.02	32.1	59.1	7.24	32.6	
	60	76.5	9.64	32.0	72.2	9.61	32.5	67.8	8.75	32.9	65.6	8.34	32.2	63.4	7.94	32.4	59.1	7.16	33.8	
	96	76.5	9.37	35.0	72.2	9.35	35.3	67.8	8.52	35.6	65.6	8.12	35.7	63.4	7.73	35.8	59.1	6.98	36.1	
	120	76.5	9.29	36.0	72.2	9.26	36.2	67.8	8.44	36.5	65.6	8.05	36.6	63.4	7.66	36.7	59.1	6.92	36.9	
45	50	76.5	9.51	35.4	72.2	9.38	36.0	67.8	8.56	36.5	65.6	8.16	36.8	63.4	7.78	37.0	59.1	7.04	37.5	
	60	76.5	9.40	37.0	72.2	9.28	37.5	67.8	8.47	37.9	65.6	8.08	38.1	63.4	7.70	38.3	59.1	6.97	38.8	
	96	76.5	9.14	40.0	72.2	9.03	40.3	67.8	8.25	40.6	65.6	7.87	40.7	63.4	7.50	40.8	59.1	6.80	41.1	
	120	76.5	9.06	41.0	72.2	8.95	41.2	67.8	8.18	41.4	65.6	7.81	41.5	63.4	7.44	41.7	59.1	6.74	41.9	
110	10	50	29.2	5.37	6.59	29.7	5.12	6.47	30.2	4.94	6.38	30.4	4.87	6.34	30.5	4.83	6.31	30.8	4.79	6.28
		60	34.7	5.86	6.56	35.0														

4 Capacity tables

4 - 3 Heating capacity tables

RWEYQ18PY1

TC: Total Capacity: kW ; PI: Power Input: kW (compressor + outdoor fan motor) ; OWT: Outlet Water Temperatur: °C

Combination (%)	Inlet Water Temp. (°C)	Water Volume L/min	Indoor air temperature: °CDB																	
			16.0			18.0			20.0			21.0			22.0			24.0		
			TC kW	PI kW	OWT °C	TC kW	PI kW	OWT °C	TC kW	PI kW	OWT °C	TC kW	PI kW	OWT °C	TC kW	PI kW	OWT °C	TC kW	PI kW	OWT °C
100	10	50	30.0	5.00	6.41	30.4	4.87	6.34	30.7	4.80	6.29	30.7	4.79	6.28	30.8	4.79	6.27	30.9	4.83	6.27
		60	35.1	5.73	6.49	35.3	5.72	6.47	35.3	5.77	6.47	35.3	5.81	6.47	35.3	5.87	6.48	35.2	6.02	6.51
		96	45.7	8.25	7.20	45.5	8.46	7.23	45.3	8.71	7.27	45.1	8.85	7.29	45.0	9.01	7.32	44.6	9.35	7.37
	15	50	47.8	8.65	9.40	47.5	8.89	9.47	47.2	9.17	9.55	47.0	9.33	9.60	46.8	9.49	9.65	46.4	9.9	9.76
		60	49.0	8.77	10.2	48.7	9.02	10.3	48.3	9.31	10.3	48.2	9.47	10.4	47.9	9.64	10.4	47.5	10.0	10.5
		96	52.1	9.09	11.8	51.7	9.37	11.8	51.3	9.68	11.9	51.1	9.84	11.9	50.9	10.02	12.0	49.2	9.84	12.1
	20	50	56.2	9.52	13.3	55.7	9.82	13.4	55.3	10.1	13.5	54.7	10.2	13.6	52.9	9.66	13.8	49.2	8.66	14.2
		60	56.5	9.56	14.4	56.1	9.86	14.5	55.6	10.2	14.6	54.7	10.1	14.7	52.9	9.55	14.8	49.2	8.57	15.1
		96	57.4	9.66	16.4	57.0	9.96	16.5	56.5	10.3	16.6	54.7	9.78	16.6	52.9	9.28	16.7	49.2	8.33	16.9
	25	50	61.4	10.1	17.6	60.1	10.1	17.8	59.5	9.16	18.2	54.7	8.71	18.4	52.9	8.28	18.6	49.2	7.45	19.0
		60	61.8	10.1	18.8	60.1	9.97	19.0	59.5	9.05	19.3	54.7	8.62	19.5	52.9	8.19	19.7	49.2	7.37	20.0
		96	62.8	10.2	21.1	60.1	9.69	21.2	56.5	8.80	21.4	54.7	8.38	21.5	52.9	7.97	21.6	49.2	7.17	21.9
30	50	63.8	9.55	22.2	60.1	8.73	22.6	56.5	7.95	23.0	54.7	7.57	23.2	52.9	7.21	23.5	49.2	6.51	23.9	
	60	63.8	9.44	23.5	60.1	8.63	23.8	56.5	7.86	24.2	54.7	7.49	24.4	52.9	7.13	24.5	49.2	6.44	24.9	
	96	63.8	9.18	25.9	60.1	8.40	26.1	56.5	7.65	26.4	54.7	7.30	26.5	52.9	6.95	26.6	49.2	6.28	26.8	
35	50	63.8	8.36	27.1	60.1	7.66	27.5	56.5	7.00	27.9	54.7	6.68	28.1	52.9	6.36	28.3	49.2	5.76	28.8	
	60	63.8	8.27	28.4	60.1	7.58	28.7	56.5	6.93	29.1	54.7	6.61	29.3	52.9	6.30	29.4	49.2	5.71	29.8	
	96	63.8	8.05	30.8	60.1	7.38	31.1	56.5	6.74	31.3	54.7	6.44	31.4	52.9	6.14	31.5	49.2	5.57	31.7	
40	50	63.8	7.98	31.7	60.1	7.32	31.8	56.5	6.69	32.0	54.7	6.38	32.1	52.9	6.09	32.2	49.2	5.52	32.4	
	60	63.8	8.08	32.0	60.1	7.42	32.4	56.5	6.79	32.9	54.7	6.49	33.1	52.9	6.20	33.3	49.2	5.62	33.7	
	96	63.8	7.99	33.3	60.1	7.35	33.7	56.5	6.73	34.1	54.7	6.43	34.2	52.9	6.14	34.4	49.2	5.56	34.8	
45	50	63.8	7.78	35.8	60.1	7.16	36.0	56.5	6.56	36.3	54.7	6.27	36.4	52.9	5.99	36.5	49.2	5.43	36.7	
	60	63.8	7.72	36.7	60.1	7.10	36.8	56.5	6.50	37.0	54.7	6.22	37.1	52.9	5.94	37.2	49.2	5.38	37.4	
	96	63.8	7.84	37.0	60.1	7.22	37.4	56.5	6.62	37.9	54.7	6.33	38.1	52.9	6.04	38.3	49.2	5.48	38.7	
90	50	30.6	4.81	6.30	30.8	4.79	6.28	30.9	4.80	6.27	30.9	4.83	6.27	30.9	4.87	6.27	30.8	5.0	6.30	
	60	35.3	5.75	6.47	35.3	5.83	6.48	35.3	5.95	6.50	35.2	6.02	6.51	35.1	6.11	6.53	34.9	6.3	6.58	
	96	45.4	8.65	7.26	45.1	8.90	7.30	44.8	9.19	7.35	44.6	9.35	7.37	44.4	9.52	7.40	43.9	9.9	7.46	
10	50	47.3	9.10	9.53	47.0	9.38	9.61	46.6	9.7	9.71	46.4	9.9	9.76	46.2	10.03	9.8	44.3	9.66	10.0	
	60	48.4	9.24	10.3	48.1	9.52	10.4	47.7	9.8	10.5	47.5	10.0	10.5	47.3	10.18	10.6	44.3	9.27	10.8	
	96	51.4	9.60	11.9	51.0	9.90	11.9	50.6	10.2	12.0	49.2	9.83	12.1	47.6	9.33	12.1	44.3	8.37	12.3	
15	50	55.4	10.1	13.5	54.1	10.03	13.7	50.9	9.10	14.0	49.2	8.65	14.2	47.6	8.22	14.4	44.3	7.40	14.7	
	60	55.7	10.1	14.6	54.1	9.90	14.7	50.9	9.00	15.0	49.2	8.56	15.1	47.6	8.14	15.3	44.3	7.32	15.6	
	96	56.6	10.2	16.5	54.1	9.62	16.7	50.9	8.75	16.9	49.2	8.33	16.9	47.6	7.92	17.0	44.3	7.13	17.2	
20	50	56.9	10.2	17.2	54.1	9.54	17.3	50.9	8.67	17.5	49.2	8.25	17.6	47.6	7.85	17.6	44.3	7.07	17.8	
	60	57.4	9.38	18.1	54.1	8.57	18.5	50.9	7.81	18.8	49.2	7.44	19.0	47.6	7.09	19.2	44.3	6.40	19.6	
	96	57.4	9.27	19.3	54.1	8.48	19.6	50.9	7.73	19.9	49.2	7.36	20.0	47.6	7.01	20.2	44.3	6.33	20.5	
25	50	57.4	9.02	21.4	54.1	8.25	21.6	50.9	7.52	21.8	49.2	7.17	21.9	47.6	6.83	22.0	44.3	6.17	22.2	
	60	57.4	8.93	22.1	54.1	8.18	22.3	50.9	7.46	22.4	49.2	7.11	22.5	47.6	6.77	22.6	44.3	6.12	22.7	
	96	57.4	8.14	22.9	54.1	7.46	23.3	50.9	6.81	23.7	49.2	6.50	23.9	47.6	6.20	24.1	44.3	5.62	24.5	
30	50	57.4	8.05	24.1	54.1	7.38	24.4	50.9	6.74	24.7	49.2	6.44	24.9	47.6	6.14	25.1	44.3	5.56	25.4	
	60	57.4	7.83	26.3	54.1	7.19	26.5	50.9	6.57	26.7	49.2	6.27	26.8	47.6	5.98	26.9	44.3	5.43	27.1	
	96	57.4	7.76	27.0	54.1	7.12	27.2	50.9	6.51	27.4	49.2	6.22	27.4	47.6	5.93	27.5	44.3	5.38	27.7	
35	50	57.4	7.16	27.8	54.1	6.58	28.2	50.9	6.03	28.6	49.2	5.76	28.8	47.6	5.50	29.0	44.3	5.00	29.4	
	60	57.4	7.08	29.0	54.1	6.51	29.3	50.9	5.97	29.6	49.2	5.70	29.8	47.6	5.45	30.0	44.3	4.95	30.3	
	96	57.4	6.90	31.2	54.1	6.34	31.4	50.9	5.82	31.6	49.2	5.56	31.7	47.6	5.31	31.8	44.3	4.84	32.1	
40	50	57.4	6.84	32.0	54.1	6.29	32.1	50.9	5.77	32.3	49.2	5.52	32.4	47.6	5.27	32.5	44.3	4.80	32.6	
	60	57.4	6.94	32.8	54.1	6.40	33.2	50.9	5.88	33.6	49.2	5.62	33.8	47.6	5.36	33.9	44.3	4.88	34.3	
	96	57.4	6.87	34.0	54.1	6.34	34.3	50.9	5.82	34.6	49.2	5.56	34.8	47.6	5.31	35.0	44.3	4.83	35.3	
45	50	57.4	6.70	36.2	54.1	6.18	36.4	50.9	5.67	36.6	49.2	5.42	36.7	47.6	5.18	36.8	44.3	4.72	37.0	
	60	57.4	6.65	37.0	54.1	6.13	37.1	50.9	5.63	37.3	49.2	5.38	37.4	47.6	5.14	37.5	44.3	4.68	37.6	
	96	57.4	6.76	37.7	54.1	6.24	38.1	50.9	5.73	38.5	49.2	5.48	38.7	47.6	5.23	38.9	44.3	4.75	39.3	
80	50	57.4	6.70	38.9	54.1	6.18	39.3	50.9	5.67	39.6	49.2	5.42	39.8	47.6	5.18	39.9	44.3	4.71	40.3	
	60	57.4	6.53	41.2	54.1	6.02	41.4	50.9	5.53	41.6	49.2	5.29	41.7	47.6	5.05	41.8	44.3	4.60	42.0	
	96	57.4	5.94	41.9	54.1	5.98	42.1	50.9	5.48	42.3	49.2	5.25	42.4	47.6	5.01	42.5	44.3	4.56	42.6	
10	50	30.9	4.80	6.27	30.9	4.86	6.27	30.8	4.9	6.29	30.8	5.0	6.31	30.7	5.07	6.32	30.5	5.24	6.37	
	60	35.3	5.94	6.50	35.1	6.08	6.53	35.0	6.3	6.57	34.9	6.3	6.59	34.7	6.46	6.62	34.5	6.69	6.68	
	96	44.8	9.18	7.34	44.4	9.46	7.39	44.1	9.8	7.44	43.7	9.89	7.47	42.3	9.38	7.54	39.4	8.41	7.69	
15	50	46.7	9.79	7.80	46.3	10.09	7.84	45.2	10.0	7.90	43.7	9.53	7.96	42.3	9.05	8.01	39.4	8.13	8.13	
	60	47.7	9.8	10.47	47.3	10.12	10.6	45.2	9.56	10.7	43.7	9.09	10.9	42.3	8.63	11.0	39.4	7.76	11.2	
	96	50.6	10.2	12.0</																

4 Capacity tables

4 - 3 Heating capacity tables

RWEYQ18PY1													TC: Total Capacity: kW ; PI: Power Input: kW (compressor + outdoor fan motor) ; OWT: Outlet Water Temperatur: °C											
Combination (%)	Inlet Water Temp. (°C)	Water Volume L/min	Indoor air temperature: °CDB																					
			16.0			18.0			20.0			21.0			22.0			24.0						
			TC kW	PI kW	OWT °C	TC kW	PI kW	OWT °C	TC kW	PI kW	OWT °C	TC kW	PI kW	OWT °C	TC kW	PI kW	OWT °C	TC kW	PI kW	OWT °C				
70	10	50	30.8	5.0	6.30	30.7	5.08	6.33	30.6	5.23	6.37	30.5	5.31	6.39	30.4	5.40	6.42	30.1	5.60	6.49				
		60	34.9	6.3	6.58	34.7	6.47	6.63	34.5	6.68	6.83	34.3	6.80	6.71	34.2	6.92	6.74	33.9	7.18	6.81				
		96	44.0	9.8	7.45	42.1	9.31	7.55	39.6	8.46	7.68	38.3	8.05	7.74	37.0	7.66	7.81	34.5	6.90	7.94				
	120	44.6	9.8	7.92	42.1	8.98	8.02	39.6	8.18	8.13	38.3	7.79	8.18	37.0	7.41	8.23	34.5	6.68	8.34					
	15	50	44.6	9.76	10.00	42.1	8.92	10.2	39.6	8.12	10.5	38.3	7.73	10.6	37.0	7.36	10.8	34.5	6.64	11.0				
		60	44.6	9.37	10.8	42.1	8.57	11.0	39.6	7.81	11.2	38.3	7.44	11.3	37.0	7.08	11.4	34.5	6.39	11.6				
		96	44.6	8.46	12.3	42.1	7.75	12.4	39.6	7.08	12.6	38.3	6.75	12.6	37.0	6.43	12.7	34.5	5.82	12.9				
	120	44.6	8.18	12.8	42.1	7.50	12.9	39.6	6.85	13.0	38.3	6.53	13.1	37.0	6.23	13.2	34.5	5.64	13.3					
	20	50	44.6	7.48	14.7	42.1	6.87	15.0	39.6	6.28	15.2	38.3	6.00	15.4	37.0	5.73	15.5	34.5	5.20	15.8				
		60	44.6	7.40	15.6	42.1	6.80	15.8	39.6	6.22	16.0	38.3	5.94	16.1	37.0	5.67	16.3	34.5	5.15	16.5				
		96	44.6	7.20	17.2	42.1	6.62	17.4	39.6	6.06	17.5	38.3	5.79	17.6	37.0	5.53	17.7	34.5	5.02	17.8				
	120	44.6	7.14	17.8	42.1	6.56	17.9	39.6	6.01	18.0	38.3	5.74	18.1	37.0	5.48	18.1	34.5	4.99	18.2					
25	50	44.6	6.46	19.5	42.1	5.95	19.8	39.6	5.46	20.1	38.3	5.23	20.3	37.0	5.00	20.4	34.5	4.56	20.7					
	60	44.6	6.40	20.4	42.1	5.89	20.7	39.6	5.41	20.9	38.3	5.18	21.0	37.0	4.95	21.2	34.5	4.51	21.4					
	96	44.6	6.23	22.1	42.1	5.74	22.3	39.6	5.28	22.4	38.3	5.05	22.5	37.0	4.83	22.6	34.5	4.41	22.8					
120	44.6	6.18	22.7	42.1	5.70	22.8	39.6	5.24	23.0	38.3	5.01	23.0	37.0	4.80	23.1	34.5	4.38	23.2						
30	50	44.6	5.67	24.4	42.1	5.24	24.7	39.6	4.83	25.0	38.3	4.63	25.2	37.0	4.43	25.3	34.5	4.05	25.6					
	60	44.6	5.62	25.3	42.1	5.19	25.6	39.6	4.78	25.8	38.3	4.58	26.0	37.0	4.39	26.1	34.5	4.02	26.4					
	96	44.6	5.48	27.1	42.1	5.07	27.2	39.6	4.67	27.4	38.3	4.48	27.5	37.0	4.29	27.6	34.5	3.93	27.7					
120	44.6	5.44	27.7	42.1	5.03	27.8	39.6	4.63	27.9	38.3	4.44	28.0	37.0	4.26	28.0	34.5	3.90	28.2						
35	50	44.6	5.05	29.3	42.1	4.68	29.6	39.6	4.32	30.0	38.3	4.15	30.1	37.0	3.98	30.3	34.5	3.66	30.6					
	60	44.6	5.00	30.3	42.1	4.63	30.5	39.6	4.28	30.8	38.3	4.11	30.9	37.0	3.95	31.1	34.5	3.63	31.3					
	96	44.6	4.88	32.0	42.1	4.53	32.2	39.6	4.19	32.4	38.3	4.02	32.4	37.0	3.86	32.5	34.5	3.55	32.7					
120	44.6	4.84	32.6	42.1	4.49	32.8	39.6	4.16	32.9	38.3	3.99	33.0	37.0	3.83	33.0	34.5	3.53	33.2						
40	50	44.6	4.92	34.3	42.1	4.56	34.6	39.6	4.21	34.9	38.3	4.04	35.1	37.0	3.88	35.3	34.5	3.57	35.6					
	60	44.6	4.88	35.3	42.1	4.52	35.5	39.6	4.17	35.8	38.3	4.01	35.9	37.0	3.85	36.0	34.5	3.54	36.3					
	96	44.6	4.76	37.0	42.1	4.41	37.2	39.6	4.08	37.4	38.3	3.92	37.4	37.0	3.76	37.5	34.5	3.46	37.7					
120	44.6	4.72	37.6	42.1	4.38	37.7	39.6	4.05	37.9	38.3	3.89	37.9	37.0	3.74	38.0	34.5	3.44	38.1						
45	50	44.6	4.80	39.3	42.1	4.45	39.6	39.6	4.11	39.9	38.3	3.94	40.1	37.0	3.78	40.2	34.5	3.48	40.6					
	60	44.6	4.75	40.2	42.1	4.40	40.5	39.6	4.07	40.8	38.3	3.91	40.9	37.0	3.75	41.0	34.5	3.45	41.3					
	96	44.6	4.64	42.0	42.1	4.30	42.2	39.6	3.98	42.3	38.3	3.82	42.4	37.0	3.67	42.5	34.5	3.37	42.7					
120	44.6	4.61	42.6	42.1	4.27	42.7	39.6	3.95	42.9	38.3	3.80	42.9	37.0	3.64	43.0	34.5	3.35	43.1						
60	10	50	30.5	5.31	6.40	30.3	5.47	6.44	30.0	5.65	6.50	29.9	5.74	6.53	29.8	5.85	6.57	29.5	6.07	6.64				
		60	34.3	6.80	6.71	34.1	7.01	6.77	33.8	7.24	6.83	32.8	6.94	6.91	31.7	6.59	7.00	29.5	5.92	7.18				
		96	38.3	8.05	7.74	36.1	7.37	7.86	33.9	6.73	7.97	32.8	6.42	8.03	31.7	6.12	8.09	29.5	5.54	8.21				
	120	38.3	7.78	8.18	36.1	7.14	8.27	33.9	6.53	8.37	32.8	6.23	8.41	31.7	5.95	8.46	29.5	5.39	8.56					
	15	50	38.3	7.73	10.6	36.1	7.09	10.8	33.9	6.48	11.1	32.8	6.19	11.2	31.7	5.90	11.3	29.5	5.35	11.5				
		60	38.3	7.43	11.3	36.1	6.82	11.5	33.9	6.24	11.7	32.8	5.96	11.8	31.7	5.69	11.9	29.5	5.17	12.1				
		96	38.3	6.74	12.6	36.1	6.20	12.8	33.9	5.69	12.9	32.8	5.44	13.0	31.7	5.20	13.0	29.5	4.73	13.1				
	120	38.3	6.53	13.1	36.1	6.01	13.2	33.9	5.52	13.3	32.8	5.28	13.4	31.7	5.04	13.4	29.5	4.60	13.5					
	20	50	38.3	6.00	15.4	36.1	5.53	15.6	33.9	5.08	15.9	32.8	4.87	16.0	31.7	4.66	16.1	29.5	4.26	16.4				
		60	38.3	5.94	16.1	36.1	5.48	16.3	33.9	5.04	16.6	32.8	4.82	16.7	31.7	4.62	16.8	29.5	4.22	17.0				
		96	38.3	5.79	17.6	36.1	5.34	17.7	33.9	4.92	17.8	32.8	4.71	17.9	31.7	4.51	18.0	29.5	4.12	18.1				
	120	38.3	5.74	18.1	36.1	5.30	18.2	33.9	4.88	18.3	32.8	4.67	18.3	31.7	4.48	18.4	29.5	4.09	18.5					
25	50	38.3	5.22	20.3	36.1	4.83	20.5	33.9	4.46	20.8	32.8	4.28	20.9	31.7	4.10	21.0	29.5	3.76	21.3					
	60	38.3	5.17	21.0	36.1	4.79	21.3	33.9	4.42	21.5	32.8	4.24	21.6	31.7	4.07	21.7	29.5	3.73	21.9					
	96	38.3	5.05	22.5	36.1	4.68	22.7	33.9	4.32	22.8	32.8	4.15	22.9	31.7	3.98	22.9	29.5	3.65	23.1					
120	38.3	5.01	23.0	36.1	4.64	23.1	33.9	4.29	23.2	32.8	4.12	23.3	31.7	3.95	23.3	29.5	3.63	23.5						
30	50	38.3	4.62	25.2	36.1	4.29	25.4	33.9	3.97	25.7	32.8	3.82	25.8	31.7	3.67	26.0	29.5	3.38	26.3					
	60	38.3	4.58	26.0	36.1	4.25	26.2	33.9	3.94	26.4	32.8	3.79	26.5	31.7	3.64	26.6	29.5	3.35	26.9					
	96	38.3	4.47	27.5	36.1	4.16	27.6	33.9	3.85	27.8	32.8	3.71	27.8	31.7	3.56	27.9	29.5	3.28	28.0					
120	38.3	4.44	28.0	36.1	4.13	28.1	33.9	3.83	28.2	32.8	3.68	28.3	31.7	3.54	28.3	29.5	3.26	28.4						
35	50	38.3	4.15	30.1	36.1	3.86	30.4	33.9	3.59	30.7	32.8	3.45	30.8	31.7	3.32	30.9	29.5	3.07	31.2					
	60	38.3	4.11	30.9	36.1	3.83	31.1	33.9	3.56	31.4	32.8	3.43	31.5	31.7	3.30	31.6	29.5	3.05	31.8					
	96	38.3	4.02	32.4	36.1	3.74	32.6	33.9	3.48	32.7	32.8	3.36	32.8	31.7	3.23	32.9	29.5	2.99	33.0					
120	38.3	3.99	33.0	36.1	3.72	33.1	33.9	3.46	33.2	32.8	3.33	33.2	31.7	3.21	33.3	29.5	2.97	33.4						
40	50	38.3	4.04	35.1	36.1	3.76	35.4	33.9	3.50	35.6	32.8	3.37	35.8	31.7	3.24	35.9	29.5	3.00	36.2					
	60	38.3	4.01	35.9	36.1	3.73	36.1	33.9	3.47	36.4	32.8	3.34	36.5	31.7	3.22	36.6	29.5	2.97	36.8					
	96	38.3	3.92	37.4	36.1	3.65	37.6	33.9	3.40	37.7	32.8	3.27	37.8	31.7	3.15	37.9	29.5	2.92	38.0					
120	38.3	3.89	37.9	36.1	3.63	38.1	33.9	3.37	38.2	32.8														

4 Capacity tables

4 - 3 Heating capacity tables

RWEYQ20PY1

TC: Total Capacity: kW ; PI: Power Input: kW (compressor + outdoor fan motor) ; OWT: Outlet Water Temperatur: °C

Combination (%)	Inlet Water Temp. (°C)	Water Volume L/min	Indoor air temperature: °CDB																	
			16.0			18.0			20.0			21.0			22.0			24.0		
			TC kW	PI kW	OWT °C	TC kW	PI kW	OWT °C	TC kW	PI kW	OWT °C	TC kW	PI kW	OWT °C	TC kW	PI kW	OWT °C	TC kW	PI kW	OWT °C
130	10	50	29.6	7.80	6.88	30.8	7.16	6.61	31.9	6.62	6.38	32.4	6.40	6.28	32.8	6.20	6.19	33.5	5.90	6.05
		60	36.7	7.79	6.54	37.6	7.37	6.39	38.3	7.05	6.27	38.6	6.94	6.22	38.8	6.84	6.18	39.2	6.74	6.13
		96	50.9	9.21	6.89	51.1	9.20	6.87	51.2	9.28	6.87	51.2	9.35	6.87	51.2	9.44	6.88	51.0	9.7	6.91
		120	53.7	9.57	7.37	53.8	9.63	7.36	53.8	9.76	7.37	53.7	9.86	7.38	53.6	9.98	7.39	53.4	10.3	7.43
	15	50	53.5	9.46	8.69	53.6	9.52	8.68	53.6	9.65	8.70	53.6	9.8	8.72	53.5	9.9	8.75	53.3	10.2	8.82
		60	55.1	9.49	9.56	55.1	9.58	9.56	55.1	9.74	9.59	55.0	9.9	9.61	54.9	10.0	9.64	54.6	10.3	9.71
		96	59.0	9.63	11.3	59.0	9.79	11.3	58.8	10.0	11.4	58.7	10.2	11.4	58.5	10.3	11.4	58.1	10.7	11.5
		120	60.4	9.70	12.0	60.3	9.88	12.0	60.1	10.1	12.0	59.9	10.3	12.0	59.8	10.4	12.1	59.3	10.8	12.1
	20	50	64.1	9.91	12.2	63.9	10.1	12.3	63.6	10.4	12.4	63.4	10.6	12.4	63.2	10.8	12.5	62.6	11.2	12.6
		60	64.6	9.94	13.5	64.3	10.2	13.5	64.0	10.5	13.6	63.8	10.6	13.7	63.6	10.8	13.7	63.0	11.2	13.8
		96	65.7	10.0	15.8	65.5	10.3	15.9	65.1	10.6	15.9	64.9	10.7	16.0	64.6	10.9	16.0	64.1	11.3	16.1
		120	66.1	10.0	16.7	65.8	10.3	16.7	65.5	10.6	16.7	65.2	10.8	16.7	65.0	11.0	16.8	64.4	11.4	16.8
25	50	70.7	10.4	16.4	70.3	10.7	16.5	69.8	11.0	16.6	69.5	11.2	16.6	69.2	11.4	16.7	68.6	11.9	16.9	
	60	71.1	10.4	17.8	70.7	10.7	17.8	70.2	11.1	17.9	70.0	11.3	18.0	69.7	11.5	18.1	69.0	11.9	18.2	
	96	72.3	10.5	20.4	71.9	10.8	20.4	71.4	11.2	20.5	71.1	11.4	20.5	70.8	11.6	20.6	70.1	12.0	20.7	
	120	72.7	10.6	21.3	72.3	10.9	21.3	71.8	11.2	21.4	71.5	11.4	21.4	71.2	11.6	21.4	70.5	12.1	21.5	
30	50	77.1	10.9	20.5	76.6	11.3	20.6	75.9	11.7	20.8	75.6	11.9	20.9	75.2	12.1	20.9	74.4	11.3	21.4	
	60	77.6	11.0	22.0	77.0	11.3	22.2	76.4	11.7	22.3	76.1	11.9	22.3	75.7	12.1	22.4	74.4	11.2	22.8	
	96	78.9	11.1	24.9	78.3	11.4	25.0	77.7	11.8	25.1	77.3	12.0	25.1	76.6	12.1	25.2	74.4	10.9	25.5	
	120	79.3	11.1	25.9	78.7	11.5	26.0	78.1	11.9	26.0	77.7	12.1	26.1	76.6	12.0	26.1	74.4	10.8	26.4	
35	50	83.5	11.5	24.7	82.8	11.9	24.8	81.9	12.2	25.0	81.3	11.6	25.3	80.6	11.0	25.6	79.4	10.8	26.2	
	60	84.0	11.6	26.3	83.4	11.9	26.5	81.9	12.1	26.7	81.3	11.5	26.9	80.6	10.9	27.1	79.4	10.7	27.6	
	96	85.4	11.7	29.5	84.7	12.1	29.6	81.9	11.7	29.8	81.3	11.2	29.9	80.6	10.6	30.1	79.4	10.5	30.4	
	120	85.8	11.7	30.6	85.1	12.1	30.6	81.9	11.6	30.8	81.3	11.1	30.9	80.6	10.5	31.1	79.4	10.4	31.3	
40	50	89.9	12.1	28.9	87.2	11.9	29.2	81.9	11.7	29.9	81.3	11.2	30.2	80.6	10.6	30.5	79.4	10.5	31.1	
	60	90.4	12.2	30.7	87.2	11.7	31.0	81.9	11.6	31.6	81.3	11.0	31.9	80.6	10.5	32.1	79.4	10.4	32.6	
	96	91.9	12.3	34.1	87.2	11.4	34.3	81.9	11.3	34.7	81.3	10.7	34.9	80.6	10.2	35.0	79.4	10.2	35.4	
	120	92.4	12.3	35.2	87.2	11.3	35.5	81.9	11.2	35.8	81.3	10.7	35.9	80.6	10.1	36.0	79.4	10.1	36.3	
45	50	92.4	12.0	33.5	87.2	11.6	34.2	81.9	11.3	34.9	81.3	10.8	35.2	80.6	10.3	35.5	79.4	10.2	36.1	
	60	92.4	11.9	35.4	87.2	11.4	36.0	81.9	11.2	36.6	81.3	10.7	36.8	80.6	10.2	37.1	79.4	10.1	37.6	
	96	92.4	11.6	39.0	87.2	11.1	39.3	81.9	10.9	39.7	81.3	10.4	39.9	80.6	10.1	40.0	79.4	10.0	40.3	
	120	92.4	11.5	40.2	87.2	11.0	40.5	81.9	10.8	40.8	81.3	10.3	40.9	80.6	10.1	41.0	79.4	10.0	41.3	
120	10	50	31.2	6.95	6.52	32.1	6.49	6.32	32.9	6.13	6.16	33.2	5.99	6.09	33.5	5.87	6.04	34.0	5.7	5.95
		60	37.8	7.25	6.35	38.4	6.99	6.24	38.9	6.81	6.17	39.1	6.76	6.14	39.2	6.73	6.12	39.4	6.7	6.10
		96	51.2	9.22	6.87	51.2	9.31	6.87	51.2	9.48	6.89	51.1	9.59	6.90	51.0	9.7	6.92	50.7	10.0	6.96
		120	53.8	9.67	7.37	53.7	9.82	7.38	53.6	10.03	7.40	53.5	10.17	7.41	53.3	10.3	7.43	53.0	10.7	7.47
	15	50	53.6	9.56	8.68	53.6	9.70	8.71	53.5	9.9	8.76	53.4	10.1	8.79	53.2	10.2	8.83	52.9	10.5	8.93
		60	55.1	9.63	9.57	55.0	9.8	9.60	54.8	10.0	9.65	54.7	10.2	9.68	54.6	10.3	9.72	54.2	10.7	9.81
		96	58.9	9.86	11.3	58.7	10.1	11.4	58.4	10.4	11.4	58.2	10.5	11.4	58.0	10.7	11.5	57.6	11.1	11.5
		120	60.2	9.96	12.0	60.0	10.2	12.0	59.7	10.5	12.1	59.5	10.7	12.1	59.3	10.9	12.1	58.8	11.3	12.2
	20	50	63.8	10.2	12.3	63.5	10.5	12.4	63.1	10.9	12.5	62.8	11.0	12.6	62.6	11.2	12.6	62.0	11.7	12.8
		60	64.2	10.3	13.6	63.9	10.6	13.6	63.5	10.9	13.7	63.2	11.1	13.8	63.0	11.3	13.8	62.4	11.7	13.9
		96	65.3	10.4	15.9	65.0	10.7	15.9	64.5	11.0	16.0	64.3	11.2	16.0	64.0	11.4	16.1	63.4	11.8	16.2
		120	65.7	10.4	16.7	65.3	10.7	16.7	64.9	11.0	16.8	64.6	11.2	16.8	64.3	11.4	16.8	63.7	11.9	16.9
25	50	70.1	10.8	16.5	69.6	11.1	16.6	69.1	11.5	16.7	68.8	11.7	16.8	68.5	11.9	16.9	65.9	11.5	17.2	
	60	70.6	10.8	17.9	70.1	11.2	18.0	69.5	11.5	18.1	69.2	11.7	18.1	68.9	12.0	18.2	65.9	11.4	18.5	
	96	71.7	11.0	20.5	71.2	11.3	20.5	70.7	11.7	20.6	70.4	11.9	20.6	70.0	12.1	20.7	65.9	11.1	20.9	
	120	72.1	11.0	21.3	71.6	11.3	21.4	71.0	11.7	21.5	70.7	11.9	21.5	70.4	12.1	21.5	65.9	11.0	21.7	
30	50	76.3	11.4	20.7	75.8	11.8	20.8	75.1	12.2	21.0	73.2	11.7	21.2	70.7	11.1	21.5	65.9	10.0	22.0	
	60	76.8	11.5	22.2	76.2	11.8	22.3	75.6	12.2	22.4	73.2	11.6	22.6	70.7	11.0	22.9	65.9	9.89	23.3	
	96	78.1	11.6	25.0	77.5	11.9	25.1	75.6	11.9	25.2	73.2	11.3	25.4	70.7	10.7	25.5	65.9	9.62	25.8	
	120	78.5	11.6	26.0	77.9	12.0	26.1	75.6	11.8	26.2	73.2	11.2	26.3	70.7	10.6	26.4	65.9	9.53	26.6	
35	50	82.6	12.0	24.9	80.5	11.9	25.2	75.6	10.8	25.7	73.2	10.3	26.0	70.7	9.76	26.3	65.9	8.78	28.8	
	60	83.1	12.1	26.5	80.5	11.7	26.8	75.6	10.7	27.2	73.2	10.2	27.5	70.7	9.65	27.7	65.9	8.69	28.2	
	96	84.5	12.2	29.6	80.5	11.4	29.8	75.6	10.4	30.1	73.2	9.88	30.3	70.7	9.39	30.4	65.9	8.46	30.7	
	120	84.9	12.2	30.7	80.5	11.3	30.9	75.6	10.3	31.1	73.2	9.79	31.2	70.7	9.31	31.3	65.9	8.39	31.6	
40	50	85.3	11.5	29.4	80.5	11.4	30.1	75.6	10.4	30.7	73.2	9.91	30.9	70.7	9.43	31.2	65.9	8.51	31.8	
	60	85.3	11.3	31.2	80.5	11.3	31.7	75.6	10.3	32.2	73.2	9.81	32.4	70.7	9.33	32.7	65.9	8.43	33.1	
	96	85.3	11.0	34.5	80.5	11.0	34.8	75.6	10.0	35.1	73.2	9.54	35.3	70.7	9.09	35.4	65.9	8.21	35.7	
	120	85.3	10.9	35.6	80.5	10.9	35													

4 Capacity tables

4 - 3 Heating capacity tables

RWEYQ20PY1																				
TC: Total Capacity: kW ; PI: Power Input: kW (compressor + outdoor fan motor) ; OWT: Outlet Water Temperatur: °C																				
Combination (%)	Inlet Water Temp. (°C)	Water Volume L/min	Indoor air temperature: °CDB																	
			16.0			18.0			20.0			21.0			22.0			24.0		
			TC kW	PI kW	OWT °C	TC kW	PI kW	OWT °C	TC kW	PI kW	OWT °C	TC kW	PI kW	OWT °C	TC kW	PI kW	OWT °C	TC kW	PI kW	OWT °C
100	10	50	33.5	5.88	6.04	33.9	5.7	5.96	34.2	5.6	5.91	34.3	5.6	5.89	34.4	5.6	5.88	34.4	5.7	5.88
		60	39.2	6.73	6.12	39.3	6.7	6.10	39.4	6.8	6.10	39.4	6.8	6.11	39.4	6.9	6.12	39.2	7.1	6.16
		96	51.0	9.7	6.92	50.8	9.9	6.95	50.5	10.2	7.00	50.3	10.4	7.02	50.1	10.6	7.05	49.7	11.0	7.11
		120	53.4	10.3	7.43	53.1	10.6	7.46	52.7	10.9	7.50	52.5	11.1	7.53	52.3	11.3	7.55	51.8	11.7	7.60
	15	50	53.2	10.2	8.83	53.0	10.5	8.91	52.6	10.8	9.00	52.4	11.0	9.06	52.2	11.2	9.12	51.7	11.6	9.25
		60	54.6	10.3	9.71	54.3	10.6	9.78	53.9	10.9	9.87	53.7	11.1	9.92	53.5	11.3	9.97	53.0	11.8	10.08
		96	58.1	10.7	11.5	57.7	11.0	11.5	57.2	11.4	11.6	57.0	11.6	11.6	56.7	11.8	11.6	54.9	11.6	11.8
		120	59.3	10.8	12.1	58.9	11.2	12.2	58.4	11.5	12.2	58.2	11.7	12.2	57.9	11.9	12.3	54.9	11.2	12.4
	20	50	62.5	11.2	12.6	62.1	11.5	12.7	61.6	11.9	12.9	61.0	12.0	13.0	59.0	11.4	13.2	54.9	10.2	13.6
		60	63.0	11.2	13.8	62.5	11.6	13.9	62.0	12.0	14.0	61.0	11.8	14.1	59.0	11.2	14.3	54.9	10.1	14.6
		96	64.1	11.4	16.1	63.6	11.7	16.1	63.0	12.1	16.2	61.0	11.5	16.3	59.0	10.9	16.4	54.9	9.80	16.6
		120	64.4	11.4	16.8	63.9	11.8	16.9	63.0	12.0	17.0	61.0	11.4	17.0	59.0	10.8	17.1	54.9	9.71	17.3
25	50	68.5	11.9	16.9	67.0	11.9	17.1	63.0	10.8	17.5	61.0	10.2	17.7	59.0	9.73	17.9	54.9	8.76	18.4	
	60	69.0	11.9	18.2	67.0	11.7	18.4	63.0	10.6	18.7	61.0	10.1	18.9	59.0	9.63	19.1	54.9	8.67	19.5	
	96	70.1	12.0	20.7	67.0	11.4	20.8	63.0	10.4	21.1	61.0	9.85	21.2	59.0	9.37	21.3	54.9	8.44	21.5	
	120	70.4	12.1	21.5	67.0	11.3	21.7	63.0	10.3	21.9	61.0	9.77	21.9	59.0	9.29	22.0	54.9	8.36	22.2	
30	50	71.1	11.2	21.4	67.0	10.3	21.9	63.0	9.35	22.3	61.0	8.91	22.5	59.0	8.28	22.8	54.9	7.65	23.2	
	60	71.1	11.1	22.8	67.0	10.2	23.2	63.0	9.25	23.6	61.0	8.81	23.8	59.0	8.39	24.0	54.9	7.57	24.3	
	96	71.1	10.8	25.5	67.0	9.88	25.7	63.0	9.00	26.0	61.0	8.58	26.1	59.0	8.17	26.2	54.9	7.38	26.5	
	120	71.1	10.7	26.4	67.0	9.79	26.6	63.0	8.92	26.8	61.0	8.51	26.9	59.0	8.10	27.0	54.9	7.32	27.2	
35	50	71.1	9.83	26.2	67.0	9.01	26.7	63.0	8.23	27.2	61.0	7.85	27.4	59.0	7.48	27.6	54.9	6.78	28.1	
	60	71.1	9.73	27.7	67.0	8.92	28.1	63.0	8.14	28.4	61.0	7.77	28.6	59.0	7.41	28.8	54.9	6.71	29.2	
	96	71.1	9.46	30.4	67.0	8.68	30.6	63.0	7.93	30.9	61.0	7.57	31.0	59.0	7.22	31.1	54.9	6.54	31.4	
	120	71.1	9.38	31.3	67.0	8.60	31.5	63.0	7.86	31.7	61.0	7.51	31.8	59.0	7.16	31.9	54.9	6.49	32.1	
40	50	71.1	9.50	31.2	67.0	8.73	31.6	63.0	7.99	32.1	61.0	7.63	32.4	59.0	7.29	32.6	54.9	6.61	33.1	
	60	71.1	9.40	32.6	67.0	8.64	33.0	63.0	7.91	33.4	61.0	7.56	33.6	59.0	7.22	33.8	54.9	6.54	34.2	
	96	71.1	9.15	35.4	67.0	8.41	35.6	63.0	7.71	35.9	61.0	7.37	36.0	59.0	7.04	36.1	54.9	6.38	36.4	
	120	71.1	9.08	36.3	67.0	8.34	36.5	63.0	7.65	36.7	61.0	7.31	36.8	59.0	6.98	36.9	54.9	6.33	37.1	
45	50	71.1	9.21	36.1	67.0	8.48	36.6	63.0	7.79	37.1	61.0	7.44	37.3	59.0	7.11	37.6	54.9	6.44	38.1	
	60	71.1	9.12	37.6	67.0	8.40	38.0	63.0	7.71	38.4	61.0	7.37	38.6	59.0	7.04	38.8	54.9	6.38	39.2	
	96	71.1	8.89	40.4	67.0	8.19	40.6	63.0	7.52	40.9	61.0	7.19	41.0	59.0	6.86	41.1	54.9	6.22	41.4	
	120	71.1	8.81	41.3	67.0	8.12	41.5	63.0	7.46	41.7	61.0	7.13	41.8	59.0	6.81	41.9	54.9	6.17	42.1	
90	10	50	34.1	5.7	5.92	34.3	5.6	5.88	34.4	5.6	5.88	34.4	5.7	5.88	34.4	5.7	5.88	34.3	5.9	5.92
		60	39.4	6.8	6.10	39.4	6.9	6.11	39.3	7.0	6.14	39.2	7.1	6.16	39.2	7.2	6.18	38.9	7.4	6.24
		96	50.6	10.2	6.98	50.3	10.5	7.03	49.9	10.8	7.08	49.7	11.0	7.11	49.5	11.2	7.14	49.0	11.6	7.21
		120	52.8	10.8	7.49	52.5	11.2	7.53	52.1	11.5	7.58	51.8	11.7	7.60	51.6	11.9	7.63	49.4	11.4	7.73
	15	50	52.7	10.7	8.98	52.4	11.0	9.08	52.0	11.4	9.19	51.7	11.6	9.25	51.5	11.8	9.3	49.4	11.4	9.5
		60	54.0	10.9	9.85	53.6	11.2	9.93	53.2	11.6	10.03	52.9	11.8	10.08	52.7	12.0	10.1	49.4	10.9	10.4
		96	57.4	11.3	11.6	56.9	11.6	11.6	56.4	12.0	11.7	54.9	11.6	11.8	53.1	11.0	11.9	49.4	9.85	12.0
		120	58.5	11.4	12.2	58.1	11.8	12.2	56.7	11.7	12.3	54.9	11.2	12.4	53.1	10.6	12.5	49.4	9.52	12.6
	20	50	61.7	11.8	12.8	60.3	11.8	13.0	56.7	10.7	13.4	54.9	10.2	13.6	53.1	9.67	13.8	49.4	8.70	14.2
		60	62.1	11.9	14.0	60.3	11.6	14.2	56.7	10.6	14.5	54.9	10.1	14.6	53.1	9.57	14.8	49.4	8.61	15.1
		96	63.1	12.0	16.2	60.3	11.3	16.3	56.7	10.3	16.5	54.9	9.79	16.6	53.1	9.31	16.7	49.4	8.38	16.9
		120	63.5	12.0	16.9	60.3	11.2	17.1	56.7	10.2	17.2	54.9	9.70	17.3	53.1	9.23	17.4	49.4	8.31	17.5
25	50	64.0	11.0	17.4	60.3	10.1	17.8	56.7	9.18	18.2	54.9	8.75	18.4	53.1	8.33	18.6	49.4	7.52	19.0	
	60	64.0	10.9	18.7	60.3	9.97	19.0	56.7	9.09	19.3	54.9	8.66	19.5	53.1	8.24	19.6	49.4	7.45	20.0	
	96	64.0	10.6	21.0	60.3	9.70	21.2	56.7	8.84	21.4	54.9	8.43	21.5	53.1	8.03	21.6	49.4	7.26	21.9	
	120	64.0	10.5	21.8	60.3	9.62	22.0	56.7	8.77	22.1	54.9	8.36	22.2	53.1	7.96	22.3	49.4	7.20	22.5	
30	50	64.0	9.57	22.2	60.3	8.77	22.6	56.7	8.01	23.0	54.9	7.65	23.2	53.1	7.29	23.4	49.4	6.61	23.9	
	60	64.0	9.46	23.5	60.3	8.68	23.8	56.7	7.93	24.2	54.9	7.57	24.4	53.1	7.22	24.5	49.4	6.54	24.9	
	96	64.0	9.21	25.9	60.3	8.45	26.1	56.7	7.72	26.3	54.9	7.38	26.5	53.1	7.04	26.6	49.4	6.38	26.8	
	120	64.0	9.13	26.7	60.3	8.38	26.9	56.7	7.66	27.1	54.9	7.31	27.2	53.1	6.98	27.2	49.4	6.33	27.4	
35	50	64.0	8.42	27.0	60.3	7.74	27.5	56.7	7.09	27.9	54.9	6.77	28.1	53.1	6.47	28.3	49.4	5.88	28.8	
	60	64.0	8.33	28.4	60.3	7.66	28.7	56.7	7.02	29.1	54.9	6.71	29.2	53.1	6.41	29.4	49.4	5.88	29.8	
	96	64.0	8.11	30.8	60.3	7.46	31.1	56.7	6.84	31.3	54.9	6.54	31.4	53.1	6.25	31.5	49.4	5.69	31.7	
	120	64.0	8.04	31.7	60.3	7.40	31.8	56.7	6.78	32.0	54.9	6.49	32.1	53.1	6.20	32.2	49.4	5.64	32.4	
40	50	64.0	8.17	32.0	60.3	7.53	32.4	56.7	6.91	32.9	54.9	6.60	33.1	53.1	6.31	33.3	49.4	5.73	33.7	
	60	64.0	8.08	33.3	60.3	7.45	33.7	56.7	6.84	34.0	54.9	6.54	34.2	53.1	6.25	34.4	49.4	5.68	34.8	
	96	64.0	7.88	35.8	60.3	7.27	36.0	56.7	6.67	36.3	54.9	6.38	36.4	53.1	6.09	36.5	49.4	5.55	36.7	
	120	64.0	7.81	36.6	60.3	7.21	36.8	56.7	6.61	37.0	54.9	6.33	3							

4 Capacity tables

4 - 3 Heating capacity tables

RWEYQ20PY1

TC: Total Capacity: kW ; PI: Power Input: kW (compressor + outdoor fan motor) ; OWT: Outlet Water Temperatur: °C

Combination (%)	Inlet Water Temp. (°C)	Water Volume L/min	Indoor air temperature: °CDB																				
			16.0			18.0			20.0			21.0			22.0			24.0					
			TC kW	PI kW	OWT °C	TC kW	PI kW	OWT °C	TC kW	PI kW	OWT °C	TC kW	PI kW	OWT °C	TC kW	PI kW	OWT °C	TC kW	PI kW	OWT °C			
70	10	50	34.4	5.8	5.91	34.2	6.0	5.95	34.1	6.1	6.00	34.0	6.24	6.03	33.9	6.35	6.06	33.6	6.58	6.13	33.5	6.74	6.18
		60	39.0	7.4	6.23	38.7	7.6	6.28	38.4	7.9	6.35	38.3	7.99	6.38	38.1	8.13	6.42	37.7	8.44	6.50	37.6	8.59	6.55
		96	49.0	11.6	7.20	46.9	10.9	7.31	44.1	9.95	7.45	42.7	9.47	7.52	41.3	9.00	7.59	38.4	8.11	7.74	38.4	8.11	7.74
		120	49.8	11.6	7.72	46.9	10.6	7.83	44.1	9.62	7.94	42.7	9.16	8.00	41.3	8.71	8.06	38.4	7.86	8.17	38.4	7.86	8.17
	15	50	49.8	11.5	9.51	46.9	10.49	9.78	44.1	9.55	10.05	42.7	9.09	10.2	41.3	8.65	10.3	38.4	7.80	10.6	38.4	7.80	10.6
		60	49.8	11.0	10.4	46.9	10.08	10.6	44.1	9.18	10.8	42.7	8.75	10.9	41.3	8.32	11.1	38.4	7.51	11.3	38.4	7.51	11.3
		96	49.8	9.95	12.0	46.9	9.12	12.2	44.1	8.32	12.3	42.7	7.94	12.4	41.3	7.56	12.5	38.4	6.84	12.6	38.4	6.84	12.6
		120	49.8	9.62	12.6	46.9	8.82	12.7	44.1	8.05	12.8	42.7	7.68	12.9	41.3	7.32	13.0	38.4	6.63	13.1	38.4	6.63	13.1
	20	50	49.8	8.79	14.1	46.9	8.07	14.4	44.1	7.39	14.7	42.7	7.06	14.9	41.3	6.73	15.1	38.4	6.11	15.4	38.4	6.11	15.4
		60	49.8	8.70	15.1	46.9	7.99	15.3	44.1	7.31	15.6	42.7	6.99	15.7	41.3	6.67	15.9	38.4	6.05	16.1	38.4	6.05	16.1
		96	49.8	8.47	16.9	46.9	7.78	17.1	44.1	7.13	17.2	42.7	6.81	17.3	41.3	6.50	17.4	38.4	5.91	17.6	38.4	5.91	17.6
		120	49.8	8.40	17.5	46.9	7.72	17.7	44.1	7.07	17.8	42.7	6.75	17.9	41.3	6.45	17.9	38.4	5.86	18.1	38.4	5.86	18.1
25	50	49.8	7.60	19.0	46.9	7.00	19.3	44.1	6.42	19.6	42.7	6.15	19.8	41.3	5.88	19.9	38.4	5.36	20.3	38.4	5.36	20.3	
	60	49.8	7.52	20.0	46.9	6.93	20.2	44.1	6.36	20.5	42.7	6.09	20.6	41.3	5.82	20.8	38.4	5.31	21.0	38.4	5.31	21.0	
	96	49.8	7.33	21.8	46.9	6.76	22.0	44.1	6.21	22.2	42.7	5.94	22.3	41.3	5.68	22.3	38.4	5.19	22.5	38.4	5.19	22.5	
	120	49.8	7.27	22.5	46.9	6.70	22.6	44.1	6.16	22.7	42.7	5.90	22.8	41.3	5.64	22.9	38.4	5.15	23.0	38.4	5.15	23.0	
30	50	49.8	6.67	23.8	46.9	6.16	24.2	44.1	5.67	24.5	42.7	5.44	24.7	41.3	5.21	24.8	38.4	4.77	25.2	38.4	4.77	25.2	
	60	49.8	6.61	24.8	46.9	6.10	25.1	44.1	5.62	25.4	42.7	5.39	25.5	41.3	5.16	25.7	38.4	4.73	26.0	38.4	4.73	26.0	
	96	49.8	6.44	26.8	46.9	5.96	26.9	44.1	5.49	27.1	42.7	5.27	27.2	41.3	5.05	27.3	38.4	4.62	27.5	38.4	4.62	27.5	
	120	49.8	6.39	27.4	46.9	5.91	27.6	44.1	5.45	27.7	42.7	5.23	27.8	41.3	5.01	27.8	38.4	4.59	28.0	38.4	4.59	28.0	
35	50	49.8	5.94	28.7	46.9	5.50	29.1	44.1	5.08	29.4	42.7	4.88	29.6	41.3	4.68	29.8	38.4	4.30	30.1	38.4	4.30	30.1	
	60	49.8	5.88	29.8	46.9	5.45	30.0	44.1	5.04	30.3	42.7	4.84	30.5	41.3	4.64	30.6	38.4	4.26	30.9	38.4	4.26	30.9	
	96	49.8	5.74	31.7	46.9	5.32	31.9	44.1	4.92	32.1	42.7	4.73	32.2	41.3	4.54	32.3	38.4	4.17	32.4	38.4	4.17	32.4	
	120	49.8	5.70	32.4	46.9	5.28	32.5	44.1	4.89	32.7	42.7	4.69	32.7	41.3	4.51	32.8	38.4	4.15	33.0	38.4	4.15	33.0	
40	50	49.8	5.79	33.7	46.9	5.36	34.0	44.1	4.95	34.4	42.7	4.76	34.6	41.3	4.56	34.7	38.4	4.19	35.1	38.4	4.19	35.1	
	60	49.8	5.73	34.7	46.9	5.31	35.0	44.1	4.91	35.3	42.7	4.71	35.5	41.3	4.52	35.6	38.4	4.16	35.9	38.4	4.16	35.9	
	96	49.8	5.60	36.7	46.9	5.19	36.9	44.1	4.80	37.1	42.7	4.61	37.2	41.3	4.43	37.3	38.4	4.07	37.4	38.4	4.07	37.4	
	120	49.8	5.55	37.4	46.9	5.15	37.5	44.1	4.76	37.7	42.7	4.58	37.7	41.3	4.39	37.8	38.4	4.04	37.9	38.4	4.04	37.9	
45	50	49.8	5.64	38.7	46.9	5.23	39.0	44.1	4.83	39.4	42.7	4.64	39.5	41.3	4.45	39.7	38.4	4.09	40.1	38.4	4.09	40.1	
	60	49.8	5.59	39.7	46.9	5.18	40.0	44.1	4.79	40.3	42.7	4.60	40.5	41.3	4.41	40.6	38.4	4.05	40.9	38.4	4.05	40.9	
	96	49.8	5.46	41.7	46.9	5.06	41.9	44.1	4.68	42.1	42.7	4.49	42.2	41.3	4.32	42.2	38.4	3.97	42.4	38.4	3.97	42.4	
	120	49.8	5.42	42.4	46.9	5.02	42.5	44.1	4.64	42.6	42.7	4.46	42.7	41.3	4.28	42.8	38.4	3.94	42.9	38.4	3.94	42.9	
60	10	50	34.0	6.24	6.03	33.8	6.43	6.08	33.5	6.64	6.15	33.4	6.75	6.19	33.2	6.88	6.22	32.9	7.13	6.31	32.9	7.13	6.31
		60	38.3	7.99	6.38	38.0	8.24	6.45	37.7	8.51	6.52	36.6	8.17	6.61	35.4	7.75	6.70	32.9	6.96	6.90	32.9	6.96	6.90
		96	42.7	9.46	7.52	40.2	8.67	7.64	37.8	7.92	7.77	36.6	7.55	7.83	35.4	7.20	7.90	32.9	6.52	8.03	32.9	6.52	8.03
		120	42.7	9.15	8.00	40.2	8.40	8.10	37.8	7.68	8.20	36.6	7.33	8.25	35.4	6.99	8.31	32.9	6.34	8.41	32.9	6.34	8.41
	15	50	42.7	9.09	10.2	40.2	8.34	10.4	37.8	7.62	10.7	36.6	7.28	10.8	35.4	6.94	10.9	32.9	6.29	11.2	32.9	6.29	11.2
		60	42.7	8.74	10.9	40.2	8.02	11.2	37.8	7.34	11.4	36.6	7.01	11.5	35.4	6.69	11.6	32.9	6.07	11.8	32.9	6.07	11.8
		96	42.7	7.93	12.4	40.2	7.29	12.5	37.8	6.69	12.7	36.6	6.40	12.7	35.4	6.11	12.8	32.9	5.56	13.0	32.9	5.56	13.0
		120	42.7	7.68	12.9	40.2	7.07	13.0	37.8	6.49	13.1	36.6	6.20	13.2	35.4	5.93	13.2	32.9	5.40	13.4	32.9	5.40	13.4
	20	50	42.7	7.05	14.9	40.2	6.50	15.2	37.8	5.98	15.4	36.6	5.73	15.6	35.4	5.48	15.7	32.9	5.01	16.0	32.9	5.01	16.0
		60	42.7	6.98	15.7	40.2	6.44	16.0	37.8	5.92	16.2	36.6	5.67	16.3	35.4	5.43	16.4	32.9	4.96	16.7	32.9	4.96	16.7
		96	42.7	6.80	17.3	40.2	6.28	17.5	37.8	5.78	17.6	36.6	5.54	17.7	35.4	5.30	17.8	32.9	4.85	17.9	32.9	4.85	17.9
		120	42.7	6.75	17.9	40.2	6.23	18.0	37.8	5.74	18.1	36.6	5.50	18.1	35.4	5.26	18.2	32.9	4.81	18.3	32.9	4.81	18.3
25	50	42.7	6.14	19.8	40.2	5.68	20.0	37.8	5.24	20.3	36.6	5.03	20.5	35.4	4.83	20.6	32.9	4.43	20.9	32.9	4.43	20.9	
	60	42.7	6.08	20.6	40.2	5.63	20.9	37.8	5.20	21.1	36.6	4.99	21.2	35.4	4.78	21.3	32.9	4.39	21.6	32.9	4.39	21.6	
	96	42.7	5.94	22.3	40.2	5.50	22.4	37.8	5.08	22.6	36.6	4.88	22.6	35.4	4.68	22.7	32.9	4.30	22.9	32.9	4.30	22.9	
	120	42.7	5.89	22.8	40.2	5.46	22.9	37.8	5.04	23.0	36.6	4.84	23.1	35.4	4.64	23.2	32.9	4.27	23.3	32.9	4.27	23.3	
30	50	42.7	5.44	24.7	40.2	5.05	25.0	37.8	4.67	25.3	36.6	4.49	25.4	35.4	4.32	25.5	32.9	3.97	25.8	32.9	3.97	25.8	
	60	42.7	5.39	25.5	40.2	5.00	25.8	37.8	4.63	26.0	36.6	4.45	26.2	35.4	4.28	26.3	32.9	3.94	26.5	32.9	3.94	26.5	
	96	42.7	5.26	27.2	40.2	4.89	27.4	37.8	4.53	27.5	36.6	4.36	27.6	35.4	4.19	27.7	32.9	3.86	27.8	32.9	3.86	27.8	
	120	42.7	5.22	27.8	40.2	4.85	27.9	37.8	4.50	28.0	36.6	4.33											

4 Capacity tables

4 - 3 Heating capacity tables

RWEYQ24PY1																				
TC: Total Capacity: kW ; PI: Power Input: kW (compressor + outdoor fan motor) ; OWT: Outlet Water Temperatur: °C																				
Combination (%)	Inlet Water Temp. (°C)	Water Volume L/min	Indoor air temperature: °CDB																	
			16.0			18.0			20.0			21.0			22.0			24.0		
			TC	PI	OWT	TC	PI	OWT	TC	PI	OWT	TC	PI	OWT	TC	PI	OWT	TC	PI	OWT
130	10	50	35.2	8.20	7.42	36.7	7.52	7.21	38.0	7.0	7.04	38.5	6.7	6.96	39.0	6.5	6.90	39.8	6.2	6.79
		60	43.7	8.19	7.17	44.7	7.75	7.05	45.6	7.4	6.96	45.9	7.3	6.93	46.2	7.2	6.89	46.6	7.1	6.85
		96	60.6	9.68	7.47	60.9	9.67	7.45	61.0	9.8	7.45	61.0	9.8	7.45	60.9	9.9	7.46	60.7	10.2	7.48
	15	50	63.7	10.0	9.86	63.9	10.0	9.85	63.8	10.1	9.87	63.8	10.3	9.88	63.7	10.4	9.90	63.4	10.7	9.96
		60	65.5	10.0	10.6	65.6	10.1	10.6	65.6	10.2	10.6	65.5	10.4	10.6	65.3	10.5	10.6	65.0	10.8	10.7
		96	70.3	10.1	12.0	70.2	10.3	12.0	70.0	10.5	12.0	69.8	10.7	12.1	69.6	10.8	12.1	69.2	11.2	12.1
	20	50	71.9	10.2	12.5	71.8	10.4	12.6	71.5	10.6	12.6	71.4	10.8	12.6	71.1	11.0	12.6	70.6	11.4	12.6
		60	76.3	10.4	13.7	76.1	10.7	13.8	75.7	11.0	13.8	75.5	11.1	13.9	75.2	11.3	13.9	74.6	11.8	14.0
		96	78.3	10.5	16.6	77.9	10.8	16.7	77.5	11.1	16.7	77.2	11.3	16.7	77.0	11.5	16.7	76.3	11.9	16.8
	25	50	84.7	10.9	18.0	83.6	11.2	18.1	83.1	11.6	18.2	82.7	11.8	18.2	82.4	12.0	18.3	81.6	12.5	18.4
		60	84.7	11.0	19.1	84.2	11.3	19.2	83.6	11.6	19.3	83.3	11.8	19.3	82.9	12.1	19.4	82.1	12.5	19.5
		96	86.1	11.1	21.3	85.6	11.4	21.3	85.0	11.8	21.4	84.7	12.0	21.4	84.3	12.2	21.4	83.5	12.6	21.5
30	50	86.6	11.1	22.0	86.1	11.4	22.0	85.5	11.8	22.1	85.1	12.0	22.1	84.7	12.2	22.1	83.9	12.7	22.2	
	60	91.8	11.5	22.3	91.1	11.9	22.4	90.4	12.3	22.5	90.0	12.5	22.6	89.6	12.7	22.7	88.0	11.9	23.0	
	96	93.9	11.7	25.9	93.2	12.0	26.0	92.5	12.4	26.0	92.0	12.6	26.0	91.2	12.7	26.1	89.0	11.7	24.2	
35	50	94.4	11.7	26.7	93.7	12.1	26.7	93.0	12.5	26.8	92.5	12.7	26.8	91.2	12.6	26.9	89.0	11.3	27.1	
	60	99.4	12.1	26.7	98.6	12.5	26.8	97.5	12.8	26.9	94.4	12.2	27.1	91.2	11.6	27.4	85.0	10.4	27.9	
	96	100	12.2	28.0	99.2	12.6	28.1	97.5	12.7	28.2	94.4	12.1	28.4	91.2	11.5	28.6	85.0	10.3	29.1	
40	50	102	12.3	30.6	101	12.7	30.6	97.5	12.3	30.8	94.4	11.7	30.9	91.2	11.1	31.0	85.0	10.0	31.3	
	60	107	12.8	31.4	101	12.7	31.5	97.5	12.2	31.6	94.4	11.6	31.7	91.2	11.0	31.8	85.0	9.92	32.0	
	96	108	12.8	32.4	104	12.3	32.7	97.5	12.2	33.2	94.4	11.6	33.4	91.2	11.0	33.6	85.0	9.94	34.0	
45	50	109	12.9	35.2	104	12.0	35.4	97.5	11.9	35.7	94.4	11.3	35.9	91.2	10.7	36.0	85.0	9.88	36.3	
	60	110	13.0	36.1	104	11.9	36.3	97.5	11.8	36.6	94.4	11.2	36.7	91.2	10.6	36.8	85.0	9.59	37.0	
	96	110	12.7	35.7	104	12.1	36.2	97.5	11.9	36.8	94.4	11.3	37.1	91.2	10.8	37.3	85.0	9.74	37.8	
120	10	50	110	12.5	37.2	104	12.0	37.7	97.5	11.8	38.2	94.4	11.2	38.4	91.2	10.7	38.6	85.0	9.64	39.0
		60	110	12.2	40.1	104	11.7	40.4	97.5	11.5	40.7	94.4	10.9	40.8	91.2	10.4	41.0	85.0	9.39	41.2
		96	110	12.1	41.1	104	11.6	41.3	97.5	11.4	41.6	94.4	10.9	41.6	91.2	10.3	41.8	85.0	9.32	42.0
	15	50	37.2	7.31	7.15	38.3	6.8	7.00	39.2	6.4	6.87	39.6	6.3	6.82	39.9	6.2	6.78	40.5	6.0	6.71
		60	45.1	7.62	7.02	45.8	7.3	6.94	46.3	7.2	6.88	46.5	7.1	6.86	46.7	7.1	6.85	46.9	7.1	6.83
		96	60.9	9.7	7.45	61.0	9.8	7.45	60.9	10.0	7.48	60.8	10.1	7.48	60.7	10.2	7.49	60.4	10.5	7.52
	20	50	64.0	10.2	7.86	64.0	10.3	7.86	63.8	10.5	7.88	63.7	10.7	7.89	63.5	10.9	7.90	63.1	11.2	7.93
		60	63.9	10.0	9.86	63.8	10.2	9.88	63.7	10.4	9.91	63.5	10.6	9.94	63.4	10.7	9.97	63.0	11.1	10.04
		96	65.6	10.1	10.6	65.5	10.3	10.6	65.3	10.6	10.6	65.1	10.7	10.7	65.0	10.9	10.7	64.5	11.3	10.8
	25	50	70.1	10.4	12.0	69.9	10.6	12.1	69.6	10.9	12.1	69.3	11.1	12.1	69.1	11.3	12.1	68.5	11.7	12.2
		60	71.7	10.5	12.6	71.4	10.7	12.6	71.1	11.0	12.6	70.8	11.2	12.6	70.6	11.4	12.6	70.0	11.8	12.7
		96	76.0	10.8	13.8	75.6	11.1	13.8	75.1	11.4	13.9	74.8	11.6	14.0	74.5	11.8	14.0	73.8	12.3	14.1
30	50	76.5	10.8	14.8	76.1	11.1	14.8	75.6	11.5	14.9	75.3	11.6	14.9	75.0	11.9	15.0	74.3	12.3	15.1	
	60	77.8	10.9	16.7	77.4	11.2	16.7	76.8	11.6	16.8	76.5	11.8	16.8	76.2	12.0	16.8	75.5	12.4	16.9	
	96	78.2	10.9	17.3	77.8	11.2	17.4	77.2	11.6	17.4	76.9	11.8	17.4	76.6	12.0	17.4	75.9	12.5	17.5	
35	50	83.5	11.4	18.1	82.9	11.7	18.2	82.2	12.1	18.3	81.9	12.3	18.4	81.5	12.5	18.4	80.4	12.1	18.7	
	60	84.0	11.4	19.2	83.4	11.8	19.3	82.8	12.1	19.4	82.4	12.3	19.4	82.0	12.6	19.5	81.4	12.0	19.7	
	96	85.4	11.5	21.3	84.8	11.9	21.4	84.1	12.3	21.4	83.8	12.5	21.5	83.4	12.7	21.5	82.4	11.7	21.7	
40	50	85.9	11.6	22.0	85.3	11.9	22.1	84.6	12.3	22.1	84.2	12.5	22.1	83.8	12.7	22.2	82.4	11.6	22.3	
	60	90.9	12.0	22.5	90.2	12.4	22.6	89.4	12.8	22.7	87.1	12.3	22.9	84.2	11.7	23.1	78.4	10.5	23.5	
	96	91.5	12.0	23.7	90.8	12.4	23.8	90.0	12.8	23.9	87.1	12.2	24.0	84.2	11.6	24.2	78.4	10.4	24.6	
45	50	93.0	12.2	26.0	92.2	12.5	26.0	90.0	12.5	26.1	87.1	11.9	26.3	84.2	11.3	26.4	78.4	10.1	26.6	
	60	93.5	12.2	26.8	92.7	12.6	26.8	90.0	12.4	26.9	87.1	11.8	27.0	84.2	11.2	27.1	78.4	10.0	27.3	
	96	98.3	12.6	26.8	95.8	12.5	27.0	90.0	11.3	27.5	87.1	10.8	27.7	84.2	10.3	27.9	78.4	9.23	28.4	
10	50	98.9	12.7	28.1	95.8	12.3	28.4	90.0	11.2	28.7	87.1	10.7	28.9	84.2	10.2	29.1	78.4	9.14	29.5	
	60	101	12.8	30.6	95.8	12.0	30.8	90.0	10.9	31.1	87.1	10.4	31.2	84.2	9.87	31.3	78.4	8.89	31.5	
	96	101	12.9	31.5	95.8	11.9	31.7	90.0	10.8	31.8	87.1	10.3	31.9	84.2	9.79	32.0	78.4	8.82	32.2	
15	50	102	12.1	31.4	95.8	12.0	32.0	90.0	10.9	32.4	87.1	10.4	32.7	84.2	9.91	32.9	78.4	8.95	33.4	
	60	102	11.9	32.9	95.8	11.9	33.3	90.0	10.8	33.7	87.1	10.3	33.9	84.2	9.81	34.1	78.4	8.86	34.5	
	96	102	11.6	35.5	95.8	11.6	35.8	90.0	10.5	36.0	87.1	10.0	36.2	84.2	9.55	36.3	78.4	8.63	36.5	
20	50	102	11.5	36.4	95.8	11.5	36.6	90.0	10.4	36.8	87.1	9.95	36.9	84.2	9.47	37.0	78.4	8.56	37.2	
	60	102	11.8	36.4	95.8	11.6	37.0	90.0	10.6	37.4	87.1	10.1	37.6	84.2	9.62	37.9	78.4	8.70	38.3	
	96	102	11.6	37.8	95.8	11.5	38.3	90.0	10.5	38.7	87.1	9.99	38.9	84.2	9.52	39.1	78.4	8.62	39.4	
25	50	102	11.3	40.5	95.8	11.2	40.8	90.0	10.2	41.0	87.1	9.73	41.2	84.2	9.28	41.3	78.4	8.40	41.5	
	60	102	11.2	41.4	95.8	11.1	41.6	90.0	10.1	41.8	87.1	9.65	41.9	84.2	9.20	42.0	78.4	8.34	42.2	
	96	102	11.2	41.4	95.8	11.1	41.6	90.0	10.1	41.8	87.1	9.65	41.9	84.2	9.20	42.0	78.4	8.34	42.2	
30	50	38.7	6.6	6.93	39.5	6.3	6.83	40.1	6.1	6.75	40.3	6.0	6.72	40.5	6.0	6.70	40.8	5.9	6.66	
	60	46.0	7.2	6.91	46.5	7.1	6.87	46.7	7.1	6.84	46.8	7.1	6.83	46.9	7.1	6.83	46.9	7.2	6.84	
	96	61.0	9.9	7.46	60.8	10.1	7.47	60.6	10.3	7.50	60.5	10.5	7.51	60.3	10.6	7.53	59.8	11.0	7.57	
35	50	63.9	10.4	7.87	63.7	10.7	7.89	63.4	11.0	7.91	63.2	11.1	7.93	63.0	11.3	7.94	62.5	11.7	7.98	
	60	63.8	10.3	9.89	63.6	10.5	9.93	63.3	10.8	9.99	63.1	11.0	10.02	62.9	11.2	10.06	62.3	11.6	10.15	
	96	65.4	10.4	10.6	65.2	10.7	10.7	64.8	11.0	10.7	64.6	11.2	10.7	64.4	11.3					

4 Capacity tables

4 - 3 Heating capacity tables

RWEYQ24PY1

TC: Total Capacity: kW ; PI: Power Input: kW (compressor + outdoor fan motor) ; OWT: Outlet Water Temperatur: °C

Combination (%)	Inlet Water Temp. (°C)	Water Volume L/min	Indoor air temperature: °CDB																	
			16.0			18.0			20.0			21.0			22.0			24.0		
			TC kW	PI kW	OWT °C	TC kW	PI kW	OWT °C	TC kW	PI kW	OWT °C	TC kW	PI kW	OWT °C	TC kW	PI kW	OWT °C	TC kW	PI kW	OWT °C
100	10	50	39.9	6.2	6.78	40.3	6.0	6.72	40.7	5.9	6.68	40.8	5.9	6.67	40.9	5.9	6.66	41.0	6.0	6.65
		60	46.6	7.1	6.85	46.8	7.1	6.83	46.9	7.1	6.83	46.9	7.2	6.84	46.9	7.3	6.85	46.7	7.4	6.87
		96	60.7	10.2	7.49	60.5	10.5	7.51	60.1	10.8	7.54	59.9	10.9	7.56	59.7	11.1	7.58	59.2	11.6	7.63
		120	63.5	10.8	7.90	63.2	11.1	7.93	62.8	11.5	7.96	62.6	11.7	7.97	62.3	11.9	7.99	61.7	12.3	8.03
	15	50	63.4	10.7	9.97	63.1	11.0	10.02	62.7	11.3	10.10	62.4	11.5	10.14	62.2	11.7	10.18	61.6	12.2	10.28
		60	65.0	10.8	10.7	64.6	11.2	10.7	64.2	11.5	10.8	63.9	11.7	10.8	63.6	11.9	10.9	63.0	12.4	11.0
		96	69.1	11.2	12.1	68.7	11.6	12.2	68.1	12.0	12.2	67.9	12.2	12.2	67.5	12.4	12.3	65.4	12.2	12.4
		120	70.6	11.4	12.6	70.1	11.7	12.7	69.6	12.1	12.7	69.2	12.3	12.7	68.9	12.6	12.8	65.4	11.7	12.9
	20	50	74.5	11.8	14.0	74.0	12.1	14.1	73.3	12.5	14.2	72.6	12.6	14.3	70.2	11.9	14.4	65.4	10.7	14.8
		60	75.0	11.8	15.0	74.4	12.2	15.0	73.8	12.6	15.1	72.6	12.4	15.2	70.2	11.8	15.4	65.4	10.6	15.6
		96	76.3	11.9	16.8	75.7	12.3	16.8	75.0	12.7	16.9	72.6	12.1	17.0	70.2	11.5	17.1	65.4	10.3	17.3
		120	76.7	12.0	17.4	76.1	12.4	17.5	75.0	12.6	17.5	72.6	12.0	17.6	70.2	11.4	17.7	65.4	10.2	17.8
25	50	81.6	12.5	18.4	79.8	12.5	18.6	75.0	11.3	18.9	72.6	10.8	19.1	70.2	10.2	19.3	65.4	9.21	19.6	
	60	82.1	12.5	19.5	79.8	12.3	19.6	75.0	11.2	19.9	72.6	10.7	20.1	70.2	10.1	20.2	65.4	9.11	20.5	
	96	83.4	12.7	21.5	79.8	12.0	21.6	75.0	10.9	21.8	72.6	10.4	21.9	70.2	9.85	22.0	65.4	8.87	22.2	
	120	83.8	12.7	22.2	79.8	11.9	22.3	75.0	10.8	22.4	72.6	10.3	22.5	70.2	9.76	22.6	65.4	8.79	22.7	
30	50	84.6	11.8	23.0	79.8	10.8	23.4	75.0	9.83	23.8	72.6	9.36	24.0	70.2	8.91	24.1	65.4	8.04	24.5	
	60	84.6	11.7	24.2	79.8	10.7	24.5	75.0	9.72	24.8	72.6	9.26	25.0	70.2	8.82	25.1	65.4	7.96	25.4	
	96	84.6	11.3	26.4	79.8	10.4	26.5	75.0	9.46	26.7	72.6	9.02	26.8	70.2	8.59	26.9	65.4	7.76	27.1	
	120	84.6	11.2	27.1	79.8	10.3	27.2	75.0	9.38	27.4	72.6	8.94	27.5	70.2	8.51	27.5	65.4	7.69	27.7	
35	50	84.6	10.3	27.9	79.8	9.47	28.3	75.0	8.65	28.7	72.6	8.25	28.9	70.2	7.87	29.0	65.4	7.12	29.4	
	60	84.6	10.2	29.1	79.8	9.37	29.4	75.0	8.56	29.7	72.6	8.17	29.9	70.2	7.79	30.0	65.4	7.05	30.4	
	96	84.6	9.95	31.3	79.8	9.12	31.5	75.0	8.34	31.7	72.6	7.96	31.8	70.2	7.59	31.9	65.4	6.88	32.1	
	120	84.6	9.86	32.0	79.8	9.05	32.2	75.0	8.27	32.3	72.6	7.89	32.4	70.2	7.53	32.5	65.4	6.83	32.7	
40	50	84.6	9.99	32.9	79.8	9.17	33.3	75.0	8.40	33.6	72.6	8.03	33.8	70.2	7.66	34.0	65.4	6.95	34.4	
	60	84.6	9.88	34.0	79.8	9.08	34.4	75.0	8.32	34.7	72.6	7.95	34.9	70.2	7.59	35.0	65.4	6.88	35.3	
	96	84.6	9.62	36.3	79.8	8.85	36.5	75.0	8.11	36.7	72.6	7.75	36.8	70.2	7.40	36.9	65.4	6.71	37.1	
	120	84.6	9.54	37.0	79.8	8.77	37.2	75.0	8.04	37.3	72.6	7.69	37.4	70.2	7.34	37.5	65.4	6.65	37.7	
45	50	84.6	9.69	37.8	79.8	8.92	38.2	75.0	8.19	38.6	72.6	7.82	38.8	70.2	7.65	38.9	65.4	6.77	39.4	
	60	84.6	9.59	39.0	79.8	8.83	39.3	75.0	8.11	39.7	72.6	7.75	39.8	70.2	7.40	40.0	65.4	6.71	40.3	
	96	84.6	9.34	41.3	79.8	8.61	41.5	75.0	7.90	41.7	72.6	7.55	41.8	70.2	7.21	41.9	65.4	6.54	42.1	
	120	84.6	9.26	42.0	79.8	8.54	42.2	75.0	7.84	42.3	72.6	7.49	42.4	70.2	6.97	42.5	65.4	6.49	42.7	
90	10	50	40.6	6.0	6.69	40.8	5.9	6.66	41.0	5.9	6.65	41.0	6.0	6.65	41.0	6.0	6.66	40.9	6.2	6.68
		60	46.9	7.1	6.83	46.9	7.2	6.84	46.8	7.3	6.86	46.7	7.4	6.87	46.6	7.5	6.89	46.3	7.8	6.93
		96	60.2	10.7	7.54	59.8	11.0	7.57	59.4	11.4	7.61	59.2	11.6	7.63	58.9	11.8	7.65	58.3	12.2	7.71
		120	62.9	11.4	7.95	62.5	11.7	7.98	62.0	12.1	8.01	61.7	12.3	8.03	61.4	12.6	8.05	58.8	12.0	8.14
	15	50	62.8	11.3	10.08	62.3	11.6	10.15	61.9	12.0	10.23	61.6	12.2	10.28	61.3	12.4	10.3	58.8	11.9	10.5
		60	64.3	11.4	10.8	63.8	11.8	10.9	63.3	12.2	10.9	63.0	12.4	11.0	62.7	12.6	11.0	58.8	11.5	11.2
		96	68.3	11.9	12.2	67.8	12.2	12.2	67.2	12.6	12.3	65.3	12.2	12.4	63.2	11.5	12.4	58.8	10.4	12.6
		120	69.7	12.0	12.7	69.1	12.4	12.7	67.5	12.3	12.8	65.3	11.7	12.9	63.2	11.1	12.9	58.8	10.0	13.1
	20	50	73.5	12.4	14.2	71.8	12.4	14.3	67.5	11.2	14.6	65.3	10.7	14.8	63.2	10.2	14.9	58.8	9.15	15.3
		60	74.0	12.5	15.1	71.8	12.2	15.3	67.5	11.1	15.5	65.3	10.6	15.6	63.2	10.1	15.8	58.8	9.05	16.0
		96	75.2	12.6	16.9	71.8	11.9	17.0	67.5	10.8	17.2	65.3	10.3	17.3	63.2	9.79	17.3	58.8	8.81	17.5
		120	75.6	12.7	17.5	71.8	11.8	17.6	67.5	10.7	17.7	65.3	10.2	17.8	63.2	9.70	17.9	58.8	8.74	18.0
25	50	76.2	11.6	18.8	71.8	10.6	19.1	67.5	9.66	19.5	65.3	9.20	19.6	63.2	8.76	19.8	58.8	7.91	20.1	
	60	76.2	11.5	19.8	71.8	10.5	20.1	67.5	9.55	20.4	65.3	9.10	20.5	63.2	8.67	20.7	58.8	7.83	20.9	
	96	76.2	11.1	21.8	71.8	10.2	21.9	67.5	9.30	22.1	65.3	8.86	22.2	63.2	8.44	22.3	58.8	7.63	22.5	
	120	76.2	11.0	22.4	71.8	10.1	22.5	67.5	9.22	22.7	65.3	8.79	22.7	63.2	8.37	22.8	58.8	7.57	23.0	
30	50	76.2	10.1	23.7	71.8	9.22	24.0	67.5	8.42	24.4	65.3	8.04	24.5	63.2	7.66	24.7	58.8	6.94	25.0	
	60	76.2	9.95	24.7	71.8	9.12	25.0	67.5	8.34	25.3	65.3	7.96	25.4	63.2	7.59	25.6	58.8	6.88	25.9	
	96	76.2	9.68	26.7	71.8	8.88	26.9	67.5	8.12	27.0	65.3	7.75	27.1	63.2	7.40	27.2	58.8	6.71	27.4	
	120	76.2	9.60	27.4	71.8	8.81	27.5	67.5	8.05	27.6	65.3	7.69	27.7	63.2	7.34	27.8	58.8	6.65	27.9	
35	50	76.2	8.85	28.6	71.8	8.13	28.9	67.5	7.45	29.3	65.3	7.12	29.4	63.2	6.80	29.6	58.8	6.18	30.0	
	60	76.2	8.75	29.6	71.8	8.05	29.9	67.5	7.38	30.2	65.3	7.05	30.4	63.2	6.73	30.5	58.8	6.12	30.8	
	96	76.2	8.53	31.6	71.8	7.84	31.8	67.5	7.19	32.0	65.3	6.88	32.1	63.2	6.57	32.2	58.8	5.98	32.4	
	120	76.2	8.45	32.3	71.8	7.78	32.5	67.5	7.13	32.6	65.3	6.82	32.7	63.2	6.52	32.7	58.8	5.93	32.9	
40	50	76.2	8.58	33.5	71.8	7.91	33.9	67.5	7.26	34.2	65.3	6.94	34.4	63.2	6.63	34.6	58.8	6.03	35.0	
	60	76.2	8.50	34.6	71.8	7.83	34.9	67.5	7.19	35.2	65.3	6.87	35.3	63.2	6.57	35.5	58.8	5.97	35.8	
	96	76.2	8.28	36.6	71.8	7.64	36.8	67.5	7.01	37.0	65.3	6.70	37.1	63.2	6.40	37.2	58.8	5.83	37.4	
	120	76.2	8.21	37.3	71.8	7.58	37.4	6												

4 Capacity tables

4 - 3 Heating capacity tables

RWEYQ24PY1

TC: Total Capacity: kW ; PI: Power Input: kW (compressor + outdoor fan motor) ; OWT: Outlet Water Temperatur: °C

Combination (%)	Inlet Water Temp. (°C)	Water Volume L/min	Indoor air temperature: °CDB																	
			16.0			18.0			20.0			21.0			22.0			24.0		
			TC kW	PI kW	OWT °C	TC kW	PI kW	OWT °C	TC kW	PI kW	OWT °C	TC kW	PI kW	OWT °C	TC kW	PI kW	OWT °C	TC kW	PI kW	OWT °C
70	10	50	40.9	6.1	6.68	40.8	6.3	6.71	40.6	6.5	6.74	40.4	6.6	6.76	40.3	6.67	6.79	40.0	6.92	6.84
		60	46.4	7.8	6.93	46.1	8.0	6.97	45.8	8.3	7.01	45.6	8.4	7.04	45.4	8.55	7.07	44.9	8.87	7.13
		96	58.4	12.2	7.70	55.9	11.5	7.79	52.5	10.5	7.91	50.8	9.96	7.97	49.1	9.47	8.03	45.8	8.52	8.15
		120	59.2	12.2	8.13	55.9	11.1	8.22	52.5	10.1	8.31	50.8	9.63	8.36	49.1	9.16	8.41	45.8	8.26	8.51
	15	50	59.2	12.1	10.49	55.9	11.03	10.71	52.5	10.04	10.94	50.8	9.56	11.1	49.1	9.09	11.2	45.8	8.20	11.4
		60	59.2	11.6	11.2	55.9	10.59	11.4	52.5	9.65	11.6	50.8	9.19	11.7	49.1	8.75	11.8	45.8	7.90	12.0
		96	59.2	10.5	12.6	55.9	9.58	12.7	52.5	8.75	12.8	50.8	8.34	12.9	49.1	7.95	13.0	45.8	7.19	13.1
		120	59.2	10.1	13.0	55.9	9.27	13.1	52.5	8.46	13.2	50.8	8.08	13.3	49.1	7.70	13.4	45.8	6.97	13.5
	20	50	59.2	9.24	15.2	55.9	8.49	15.5	52.5	7.77	15.7	50.8	7.42	15.9	49.1	7.08	16.0	45.8	6.43	16.2
		60	59.2	9.15	16.0	55.9	8.40	16.2	52.5	7.69	16.4	50.8	7.34	16.5	49.1	7.01	16.6	45.8	6.36	16.9
		96	59.2	8.90	17.5	55.9	8.18	17.6	52.5	7.49	17.8	50.8	7.16	17.8	49.1	6.83	17.9	45.8	6.21	18.0
		120	59.2	8.83	18.0	55.9	8.11	18.1	52.5	7.43	18.2	50.8	7.10	18.3	49.1	6.78	18.3	45.8	6.16	18.4
25	50	59.2	7.99	20.1	55.9	7.36	20.4	52.5	6.75	20.6	50.8	6.46	20.8	49.1	6.18	20.9	45.8	5.63	21.2	
	60	59.2	7.91	20.9	55.9	7.28	21.1	52.5	6.69	21.4	50.8	6.40	21.5	49.1	6.12	21.6	45.8	5.58	21.8	
	96	59.2	7.71	22.4	55.9	7.10	22.6	52.5	6.52	22.7	50.8	6.25	22.8	49.1	5.97	22.9	45.8	5.45	23.0	
	120	59.2	7.64	22.9	55.9	7.04	23.1	52.5	6.47	23.2	50.8	6.20	23.2	49.1	5.93	23.3	45.8	5.41	23.4	
30	50	59.2	7.01	25.0	55.9	6.48	25.3	52.5	5.97	25.6	50.8	5.72	25.7	49.1	5.48	25.8	45.8	5.01	26.1	
	60	59.2	6.94	25.8	55.9	6.42	26.1	52.5	5.91	26.3	50.8	5.67	26.4	49.1	5.43	26.5	45.8	4.97	26.8	
	96	59.2	6.77	27.4	55.9	6.26	27.5	52.5	5.77	27.7	50.8	5.53	27.7	49.1	5.30	27.8	45.8	4.86	28.0	
	120	59.2	6.72	27.9	55.9	6.21	28.0	52.5	5.73	28.1	50.8	5.49	28.2	49.1	5.27	28.3	45.8	4.82	28.4	
35	50	59.2	6.24	29.9	55.9	5.78	30.2	52.5	5.34	30.5	50.8	5.13	30.6	49.1	4.92	30.8	45.8	4.52	31.1	
	60	59.2	6.18	30.8	55.9	5.73	31.0	52.5	5.29	31.2	50.8	5.08	31.4	49.1	4.88	31.5	45.8	4.48	31.7	
	96	59.2	6.04	32.4	55.9	5.60	32.5	52.5	5.17	32.6	50.8	4.97	32.7	49.1	4.77	32.8	45.8	4.39	32.9	
	120	59.2	5.99	32.9	55.9	5.55	33.0	52.5	5.14	33.1	50.8	4.94	33.2	49.1	4.74	33.2	45.8	4.36	33.4	
40	50	59.2	6.08	34.9	55.9	5.64	35.2	52.5	5.21	35.5	50.8	5.00	35.6	49.1	4.80	35.8	45.8	4.41	36.1	
	60	59.2	6.03	35.8	55.9	5.58	36.0	52.5	5.16	36.2	50.8	4.96	36.3	49.1	4.76	36.5	45.8	4.37	36.7	
	96	59.2	5.88	37.3	55.9	5.46	37.5	52.5	5.04	37.6	50.8	4.85	37.7	49.1	4.65	37.8	45.8	4.28	37.9	
	120	59.2	5.84	37.9	55.9	5.41	38.0	52.5	5.01	38.1	50.8	4.81	38.2	49.1	4.62	38.2	45.8	4.25	38.3	
45	50	59.2	5.93	39.9	55.9	5.50	40.2	52.5	5.08	40.5	50.8	4.88	40.6	49.1	4.68	40.8	45.8	4.30	41.0	
	60	59.2	5.88	40.8	55.9	5.45	41.0	52.5	5.03	41.2	50.8	4.83	41.3	49.1	4.64	41.5	45.8	4.26	41.7	
	96	59.2	5.74	42.3	55.9	5.32	42.5	52.5	4.92	42.6	50.8	4.73	42.7	49.1	4.54	42.8	45.8	4.17	42.9	
	120	59.2	5.69	42.9	55.9	5.28	43.0	52.5	4.88	43.1	50.8	4.69	43.2	49.1	4.50	43.2	45.8	4.14	43.3	
60	10	50	40.4	6.6	6.76	40.2	6.76	43.1	39.9	6.98	6.86	39.7	7.10	6.88	39.5	7.23	6.91	39.2	7.50	6.98
		60	45.6	8.4	7.04	45.2	8.66	7.09	44.8	8.95	7.14	43.6	8.59	7.22	42.1	8.15	7.30	39.2	7.31	7.46
		96	50.8	9.95	7.97	47.9	9.11	8.07	45.5	8.32	8.17	43.6	7.94	8.23	42.1	7.57	8.28	39.2	6.85	8.39
		120	50.8	9.62	8.36	47.9	8.83	8.44	45.0	8.07	8.53	43.6	7.70	8.57	42.1	7.35	8.62	39.2	6.67	8.70
	15	50	50.8	9.55	11.1	47.9	8.76	11.3	45.0	8.01	11.5	43.6	7.65	11.6	42.1	7.30	11.7	39.2	6.62	11.9
		60	50.8	9.19	11.7	47.9	8.43	11.9	45.0	7.72	12.0	43.6	7.37	12.1	42.1	7.03	12.2	39.2	6.39	12.4
		96	50.8	8.34	12.9	47.9	7.67	13.0	45.0	7.03	13.1	43.6	6.72	13.2	42.1	6.42	13.2	39.2	5.85	13.3
		120	50.8	8.07	13.3	47.9	7.43	13.4	45.0	6.82	13.5	43.6	6.52	13.5	42.1	6.23	13.6	39.2	5.68	13.7
	20	50	50.8	7.41	15.9	47.9	6.84	16.1	45.0	6.29	16.3	43.6	6.02	16.4	42.1	5.76	16.5	39.2	5.26	16.8
		60	50.8	7.34	16.5	47.9	6.77	16.7	45.0	6.23	16.9	43.6	5.96	17.0	42.1	5.71	17.1	39.2	5.21	17.3
		96	50.8	7.15	17.8	47.9	6.60	17.9	45.0	6.08	18.1	43.6	5.82	18.1	42.1	5.57	18.2	39.2	5.10	18.3
		120	50.8	7.10	18.3	47.9	6.55	18.4	45.0	6.03	18.4	43.6	5.78	18.5	42.1	5.53	18.5	39.2	5.06	18.6
25	50	50.8	6.46	20.8	47.9	5.97	21.0	45.0	5.51	21.2	43.6	5.29	21.3	42.1	5.07	21.5	39.2	4.65	21.7	
	60	50.8	6.40	21.5	47.9	5.92	21.7	45.0	5.46	21.9	43.6	5.24	22.0	42.1	5.03	22.0	39.2	4.61	22.2	
	96	50.8	6.24	22.8	47.9	5.78	22.9	45.0	5.34	23.0	43.6	5.13	23.1	42.1	4.92	23.2	39.2	4.52	23.3	
	120	50.8	6.19	23.2	47.9	5.74	23.3	45.0	5.30	23.4	43.6	5.09	23.5	42.1	4.88	23.5	39.2	4.48	23.6	
30	50	50.8	5.71	25.7	47.9	5.30	25.9	45.0	4.91	26.2	43.6	4.72	26.3	42.1	4.54	26.4	39.2	4.18	26.7	
	60	50.8	5.66	26.4	47.9	5.26	26.6	45.0	4.87	26.8	43.6	4.68	26.9	42.1	4.50	27.0	39.2	4.14	27.2	
	96	50.8	5.53	27.7	47.9	5.14	27.9	45.0	4.76	28.0	43.6	4.58	28.1	42.1	4.40	28.1	39.2	4.06	28.3	
	120	50.8	5.49	28.2	47.9	5.10	28.3	45.0	4.73	28.4	43.6	4.55	28.4	42.1	4.37	28.5	39.2	4.03	28.6	
35	50	50.8	5.12	30.6	47.9	4.77	30.9	45.0	4.43	31.1	43.6	4.27	31.2	42.1	4.11	31.4	39.2	3.80	31.6	
	60	50.8	5.08	31.4	47.9	4.73	31.6	45.0	4.40	31.8	43.6	4.25	31.9	42.1	4.08	32.0	39.2	3.77	32.2	
	96	50.8	4.97	32.7	47.9	4.63	32.8	45.0	4.31	33.0	43.6	4.15	33.0	42.1	3.99	33.1	39.2	3.70	33.2	
	120	50.8	4.93	33.2	47.9	4.60	33.3	45.0	4.28	33.4	43.6	4.12	33.4	42.1	3.97	33.5	39.2	3.68	33.6	
40	50	50.8	5.00	35.6	47.9	4.65	35.9	45.0	4.32	36.1	43.6	4.16	36.2	42.1	4.01	36.4	39.2	3.71	36.6	
	60	50.8	4.95	36.4	47.9	4.61	36.6	45.0	4.29	36.8	43.6	4.13	36.9	42.1	3.97	37.0	39.2	3.68	37.2	
	96	50.8	4.84	37.7	47.9	4.51	37.8	45.0	4.20	38.0	43.6	4.04	38.0	42.1	3.90	38.1	39.2	3.61	38.2	
	120	50.8	4.81	38.2	47.9	4.48	3													

4 Capacity tables

4 - 3 Heating capacity tables

RWEYQ26PY1

TC: Total Capacity: kW ; PI: Power Input: kW (compressor + outdoor fan motor) ; OWT: Outlet Water Temperatur: °C

Combination (%)	Inlet Water Temp. (°C)	Water Volume L/min	Indoor air temperature: °CDB																	
			16.0			18.0			20.0			21.0			22.0			24.0		
			TC kW	PI kW	OWT °C	TC kW	PI kW	OWT °C	TC kW	PI kW	OWT °C	TC kW	PI kW	OWT °C	TC kW	PI kW	OWT °C	TC kW	PI kW	OWT °C
130	10	50	38.3	9.4	7.24	39.9	8.6	7.01	41.3	8.0	6.82	41.9	7.7	6.74	42.4	7.4	6.66	43.3	7.1	6.54
		60	47.5	9.4	6.96	48.6	8.9	6.83	49.5	8.5	6.73	49.9	8.3	6.69	50.2	8.2	6.66	50.7	8.1	6.61
		96	65.9	11.1	7.27	66.1	11.1	7.26	66.3	11.1	7.26	66.3	11.2	7.26	66.2	11.3	7.27	66.0	11.6	7.29
	15	50	69.2	11.4	9.47	69.4	11.4	9.46	69.4	11.6	9.48	69.3	11.7	9.50	69.2	11.8	9.52	68.9	12.2	9.58
		60	71.2	11.4	10.2	71.3	11.5	10.2	71.2	11.7	10.3	71.1	11.8	10.3	71.0	12.0	10.3	70.6	12.4	10.4
		96	76.4	11.6	11.8	76.3	11.8	11.8	76.0	12.0	11.8	75.9	12.2	11.8	75.7	12.4	11.9	75.2	12.8	11.9
	20	50	83.0	11.9	13.2	82.7	12.2	13.3	82.3	12.5	13.3	82.0	12.7	13.4	81.7	12.9	13.4	81.0	13.4	13.5
		60	83.5	11.9	14.3	83.2	12.2	14.3	82.8	12.6	14.4	82.5	12.8	14.4	82.2	13.0	14.5	81.6	13.5	14.6
		96	85.0	12.0	16.4	84.7	12.3	16.4	84.2	12.7	16.4	83.9	12.9	16.5	83.6	13.1	16.5	82.9	13.6	16.6
	25	50	91.4	12.5	17.5	90.9	12.8	17.5	90.3	13.2	17.6	89.9	13.5	17.7	89.5	13.7	17.8	88.7	14.2	17.9
		60	92.0	12.5	18.7	91.5	12.9	18.7	90.9	13.3	18.8	90.5	13.5	18.9	90.1	13.8	18.9	89.2	14.3	19.0
		96	93.6	12.6	21.0	93.0	13.0	21.0	92.4	13.4	21.1	92.0	13.7	21.1	91.6	13.9	21.1	90.7	14.4	21.2
30	50	99.7	12.7	21.8	99.5	13.1	21.8	98.9	13.5	21.8	98.5	13.7	21.9	98.1	14.0	21.9	97.1	14.5	21.9	
	60	100	13.2	23.1	99.7	13.6	23.1	98.9	14.1	23.2	98.4	14.3	23.3	98.0	14.6	23.4	97.3	13.4	23.7	
	96	102	13.3	25.6	101	13.7	25.6	100	14.2	25.7	100	14.4	25.7	99.1	14.6	25.8	98.3	13.0	26.1	
35	50	108	13.9	26.0	107	14.3	26.1	106	14.7	26.3	103	13.9	26.5	99.1	14.4	26.6	98.3	12.9	26.8	
	60	109	13.9	27.5	108	14.3	27.6	106	14.5	27.7	103	13.8	27.9	99.1	13.1	28.1	92.3	11.7	28.6	
	96	110	14.1	30.2	110	14.5	30.3	106	14.1	30.4	103	13.4	30.6	99.1	12.7	30.7	92.3	11.4	31.0	
40	50	116	14.6	30.3	113	14.2	30.6	106	14.1	31.2	103	13.4	31.5	99.1	12.7	31.7	92.3	11.5	32.3	
	60	117	14.6	31.8	113	14.1	32.1	106	13.9	32.7	103	13.3	32.9	99.1	12.6	33.1	92.3	11.4	33.6	
	96	119	14.8	34.8	113	13.7	35.1	106	13.6	35.4	103	12.9	35.5	99.1	12.3	35.7	92.3	11.1	36.0	
45	50	120	14.8	35.8	113	13.6	36.1	106	13.4	36.3	103	12.8	36.4	99.1	12.2	36.5	92.3	11.0	36.8	
	60	120	14.5	35.0	113	13.9	35.6	106	13.6	36.2	103	13.0	36.4	99.1	12.3	36.7	92.3	11.1	37.2	
	96	120	14.3	36.6	113	13.7	37.1	106	13.5	37.6	103	12.8	37.9	99.1	12.2	38.1	92.3	11.0	38.5	
120	10	50	40.4	8.4	6.94	41.6	7.8	6.77	42.6	7.4	6.63	43.3	7.2	6.58	43.4	7.0	6.53	44.0	6.8	6.45
		60	49.0	8.7	6.79	49.7	8.4	6.71	50.3	8.2	6.65	50.5	8.1	6.62	50.7	8.1	6.61	50.9	8.1	6.59
		96	66.2	11.1	7.26	66.3	11.2	7.26	66.2	11.4	7.27	66.1	11.5	7.28	66.0	11.7	7.30	65.6	12.0	7.33
	15	50	69.4	11.5	9.47	69.4	11.7	9.49	69.2	11.9	9.53	69.0	12.1	9.56	68.9	12.2	9.59	68.4	12.7	9.67
		60	71.3	11.6	10.2	71.2	11.8	10.3	71.0	12.1	10.3	70.8	12.2	10.3	70.6	12.4	10.4	70.1	12.9	10.4
		96	76.2	11.8	11.8	76.0	12.1	11.8	75.6	12.5	11.9	75.3	12.7	11.9	75.1	12.9	11.9	74.5	13.3	12.0
	20	50	82.5	12.3	13.3	82.1	12.6	13.4	81.6	13.0	13.5	81.3	13.3	13.5	80.9	13.5	13.6	80.2	14.0	13.7
		60	83.1	12.3	14.4	82.7	12.7	14.4	82.1	13.1	14.5	81.8	13.3	14.5	81.5	13.5	14.6	80.7	14.1	14.7
		96	84.5	12.5	16.4	84.1	12.8	16.5	83.5	13.2	16.5	83.2	13.4	16.5	82.8	13.7	16.6	82.0	14.2	16.6
	25	50	90.7	13.0	17.6	90.1	13.4	17.7	89.4	13.8	17.8	89.0	14.0	17.8	88.6	14.3	17.9	88.2	13.9	18.2
		60	91.3	13.0	18.8	90.7	13.4	18.9	90.0	13.9	18.9	89.6	14.1	19.0	89.1	14.4	19.0	88.2	13.7	19.3
		96	92.8	13.2	21.0	92.2	13.6	21.1	91.4	14.0	21.1	91.0	14.3	21.2	90.6	14.5	21.2	89.2	13.3	21.4
30	50	98.8	13.7	21.9	98.0	14.1	22.0	97.2	14.6	22.1	94.7	14.1	22.3	91.5	13.4	22.5	85.2	12.0	23.0	
	60	99.4	13.8	23.2	98.6	14.2	23.3	97.8	14.7	23.4	94.7	13.9	23.6	91.5	13.2	23.8	85.2	11.9	24.2	
	96	101	13.9	25.7	100	14.3	25.7	97.8	14.3	25.8	94.7	13.5	26.0	91.5	12.9	26.1	85.2	11.6	26.3	
35	50	107	14.4	26.2	104	14.3	26.4	97.8	14.1	26.7	94.7	13.4	26.8	91.5	12.7	26.9	85.2	11.4	27.1	
	60	108	14.5	27.6	104	14.1	27.8	97.8	13.8	28.2	94.7	12.2	28.4	91.5	11.6	28.6	85.2	10.4	29.0	
	96	109	14.7	30.3	104	13.7	30.5	97.8	12.5	30.8	94.7	11.9	30.9	91.5	11.3	31.0	85.2	10.2	31.3	
40	50	110	14.7	31.2	104	13.6	31.4	97.8	12.4	31.6	94.7	11.8	31.7	91.5	11.2	31.8	85.2	10.1	32.0	
	60	110	13.8	30.8	104	13.7	31.4	97.8	12.5	31.8	94.7	11.9	32.1	91.5	11.3	32.3	85.2	10.2	32.8	
	96	110	13.6	32.3	104	13.6	32.8	97.8	12.4	33.2	94.7	11.8	33.4	91.5	11.2	33.6	85.2	10.1	34.0	
45	50	110	13.2	35.2	104	13.2	35.5	97.8	12.0	35.7	94.7	11.5	35.9	91.5	10.9	36.0	85.2	9.86	36.2	
	60	110	13.1	36.1	104	13.1	36.4	97.8	11.9	36.6	94.7	11.4	36.7	91.5	10.8	36.8	85.2	9.78	37.0	
	96	110	13.4	35.7	104	13.2	36.3	97.8	12.1	36.8	94.7	11.5	37.1	91.5	11.0	37.3	85.2	9.94	37.8	
110	10	50	42.1	7.6	6.70	42.9	7.2	6.59	43.6	7.0	6.50	43.8	6.9	6.47	44.1	6.8	6.44	44.4	6.8	6.41
		60	50.0	8.3	6.68	50.5	8.1	6.63	50.8	8.1	6.60	50.9	8.1	6.59	51.0	8.1	6.59	51.0	8.2	6.60
		96	66.2	11.3	7.26	66.1	11.5	7.28	65.9	11.8	7.31	65.7	11.9	7.32	65.5	12.1	7.34	65.0	12.6	7.39
	15	50	69.4	11.9	7.71	69.2	12.2	7.73	68.9	12.5	7.76	68.7	12.7	7.77	68.4	12.9	7.79	67.9	13.4	7.83
		60	69.3	11.8	9.50	69.1	12.0	9.55	68.7	12.4	9.61	68.5	12.6	9.65	68.3	12.8	9.69	67.8	13.2	9.79
		96	71.1	11.9	10.3	70.8	12.2	10.3	70.5	12.5	10.4	70.2	12.7	10.4	70.0	13.0	10.5	69.4	13.4	10.5
	20	50	81.9	12.8	13.4	81.4	13.2	13.5	80.7	13.6	13.6	80.4	13.9	13.6	80.0	14.1	13.7	78.1	14.2	13.9
		60	82.4	12.9	14.5	81.9	13.2	14.5	81.3	13.7	14.6	80.9	13.9	14.7	80.5	14.2	14.7	78.1	14.0	14.9
		96	83.8	13.0	16.5	83.2	13.4	16.5	82.6	13.8	16.6	82.2	14.1	16.6	81.8	14.3	16.6	78.1	13.6	16.8
	25	50	84.3	13.0	17.2	83.7	13.4	17.2	83.0	13.9	17.2	82.7	14.1	17.3	82.3	14.4	17.3	78.1	13.5	17.4
		60	89.8	13.6	17.7	89.1	14.0	17.8	88.3	14.5	17.9	86.8	14.2	18.1	83.9	13.5	18.3	78.1	12.1	18.7
		96	90.3	13.6	18.9	89.7	14.0	19.0	88.9	14.5	19.1									

4 Capacity tables

4 - 3 Heating capacity tables

RWEYQ26PY1													TC: Total Capacity: kW ; PI: Power Input: kW (compressor + outdoor fan motor) ; OWT: Outlet Water Temperatur: °C											
Combination (%)	Inlet Water Temp. (°C)	Water Volume L/min	Indoor air temperature: °CDB																					
			16.0			18.0			20.0			21.0			22.0			24.0						
			TC kW	PI kW	OWT °C	TC kW	PI kW	OWT °C	TC kW	PI kW	OWT °C	TC kW	PI kW	OWT °C	TC kW	PI kW	OWT °C	TC kW	PI kW	OWT °C				
100	10	50	43.3	7.1	6.54	43.8	6.9	6.47	44.2	6.8	6.42	44.3	6.8	6.41	44.4	6.8	6.40	44.5	6.8	6.40				
		60	50.7	8.1	6.61	50.9	8.1	6.59	51.0	8.1	6.59	51.0	8.2	6.59	50.9	8.3	6.60	50.8	8.5	6.63				
		96	66.0	11.6	7.30	65.7	11.9	7.32	65.3	12.3	7.36	65.1	12.5	7.38	64.9	12.7	7.41	64.3	13.2	7.46				
		120	69.0	12.4	7.74	68.7	12.7	7.77	68.2	13.1	7.81	68.0	13.3	7.82	67.7	13.6	7.85	67.1	14.1	7.89				
	15	50	68.9	12.2	9.59	68.5	12.6	9.65	68.1	13.0	9.73	67.8	13.2	9.78	67.6	13.4	9.83	66.9	13.9	9.93				
		60	70.6	12.4	10.4	70.2	12.7	10.4	69.7	13.1	10.5	69.5	13.4	10.5	69.2	13.6	10.6	68.5	14.1	10.7				
		96	75.1	12.8	11.9	74.6	13.2	11.9	74.1	13.7	12.0	73.7	13.9	12.0	73.4	14.1	12.1	71.0	13.9	12.2				
		120	76.7	13.0	12.5	76.2	13.4	12.5	75.6	13.8	12.5	75.2	14.1	12.6	74.9	14.3	12.6	71.0	13.4	12.7				
	20	50	81.0	13.4	13.5	80.4	13.9	13.6	79.7	14.3	13.8	78.9	14.4	13.8	78.3	13.6	14.0	71.0	12.2	14.4				
		60	81.5	13.5	14.6	80.9	13.9	14.7	80.2	14.4	14.8	78.9	14.2	14.9	76.3	13.5	15.0	71.0	12.1	15.3				
		96	82.9	13.6	16.6	82.2	14.1	14.7	81.5	14.5	16.7	78.9	13.8	16.8	76.3	13.1	16.9	71.0	11.8	17.1				
		120	83.3	13.7	17.2	82.6	14.1	17.3	81.5	14.4	17.3	78.9	13.7	17.4	76.3	13.0	17.5	71.0	11.7	17.6				
25	50	88.6	14.3	17.9	86.7	14.2	18.1	81.5	12.9	18.4	78.9	12.3	18.6	76.3	11.7	18.8	71.0	10.5	19.2					
	60	89.2	14.3	19.0	86.7	14.1	19.2	81.5	12.8	19.5	78.9	12.2	19.7	76.3	11.6	19.8	71.0	10.4	20.2					
	96	90.6	14.5	21.2	86.7	13.7	21.4	81.5	12.4	21.6	78.9	11.8	21.7	76.3	11.3	21.8	71.0	10.1	22.0					
	120	91.1	14.5	22.0	86.7	13.6	22.1	81.5	12.3	22.2	78.9	11.7	22.3	76.3	11.2	22.4	71.0	10.0	22.6					
30	50	92.0	13.5	22.5	86.7	12.3	22.9	81.5	11.2	23.3	78.9	10.7	23.5	76.3	10.2	23.7	71.0	9.19	24.1					
	60	92.0	13.3	23.7	86.7	12.2	24.1	81.5	11.1	24.4	78.9	10.6	24.6	76.3	10.1	24.7	71.0	9.10	25.1					
	96	92.0	13.0	26.1	86.7	11.9	26.3	81.5	10.8	26.5	78.9	10.3	26.6	76.3	9.81	26.7	71.0	8.86	26.9					
	120	92.0	12.8	26.9	86.7	11.8	27.0	81.5	10.7	27.2	78.9	10.2	27.3	76.3	9.73	27.4	71.0	8.79	27.5					
35	50	92.0	11.8	27.3	86.7	10.8	27.7	81.5	9.88	28.2	78.9	9.43	28.4	76.3	8.99	28.6	71.0	8.14	29.0					
	60	92.0	11.7	28.6	86.7	10.7	28.9	81.5	9.78	29.3	78.9	9.33	29.5	76.3	8.90	29.6	71.0	8.06	30.0					
	96	92.0	11.4	31.0	86.7	10.4	31.2	81.5	9.52	31.4	78.9	9.09	31.5	76.3	8.67	31.6	71.0	7.86	31.9					
	120	92.0	11.3	31.8	86.7	10.3	32.0	81.5	9.44	32.1	78.9	9.02	32.2	76.3	8.60	32.3	71.0	7.80	32.5					
40	50	92.0	11.4	32.3	86.7	10.5	32.7	81.5	9.59	33.1	78.9	9.17	33.3	76.3	8.75	33.5	71.0	7.93	34.0					
	60	92.0	11.3	33.6	86.7	10.4	33.9	81.5	9.50	34.3	78.9	9.08	34.4	76.3	8.67	34.6	71.0	7.86	35.0					
	96	92.0	11.0	36.0	86.7	10.1	36.2	81.5	9.26	36.4	78.9	8.85	36.5	76.3	8.45	36.6	71.0	7.66	36.8					
	120	92.0	10.9	36.8	86.7	10.0	36.9	81.5	9.18	37.1	78.9	8.78	37.2	76.3	8.38	37.3	71.0	7.60	37.5					
45	50	92.0	11.1	37.3	86.7	10.2	37.7	81.5	9.35	38.1	78.9	8.94	38.3	76.3	8.53	38.5	71.0	7.74	39.0					
	60	92.0	11.0	38.5	86.7	10.1	38.9	81.5	9.26	39.2	78.9	8.85	39.4	76.3	8.45	39.6	71.0	7.66	40.0					
	96	92.0	10.7	41.0	86.7	9.83	41.2	81.5	9.03	41.4	78.9	8.63	41.5	76.3	8.24	41.6	71.0	7.47	41.8					
	120	92.0	10.6	41.8	86.7	9.75	41.9	81.5	8.95	42.1	78.9	8.56	42.2	76.3	8.17	42.3	71.0	7.41	42.5					
90	10	50	44.1	6.8	6.43	44.4	6.8	6.40	44.5	6.8	6.39	44.5	6.8	6.40	44.5	6.9	6.40	44.4	7.0	6.43				
		60	51.0	8.1	6.59	51.0	8.2	6.60	50.9	8.4	6.62	50.8	8.5	6.63	50.7	8.6	6.65	50.4	8.9	6.70				
		96	65.4	12.2	7.35	65.0	12.6	7.39	64.6	13.0	7.43	64.3	13.2	7.46	64.0	13.4	7.48	63.4	13.9	7.54				
		120	68.4	13.0	7.80	67.9	13.4	7.83	67.4	13.8	7.87	67.1	14.1	7.89	66.7	14.3	7.91	63.9	13.7	8.00				
	15	50	68.2	12.9	9.71	67.7	13.2	9.79	67.2	13.7	9.88	66.9	13.9	9.94	66.6	14.2	10.0	63.9	13.6	10.2				
		60	69.9	13.0	10.5	69.4	13.4	10.5	68.8	13.9	10.6	68.5	14.1	10.7	68.2	14.4	10.7	63.9	13.1	11.0				
		96	74.2	13.6	12.0	73.6	14.0	12.0	73.0	14.4	12.1	71.0	13.9	12.2	68.6	13.2	12.2	63.9	11.8	12.4				
		120	75.7	13.7	12.5	75.1	14.2	12.6	73.4	14.1	12.6	71.0	13.4	12.7	68.6	12.7	12.8	63.9	11.4	12.9				
	20	50	79.9	14.2	13.7	78.1	14.1	13.9	73.4	12.8	14.2	71.0	12.2	14.4	68.6	11.6	14.6	63.9	10.5	14.9				
		60	80.4	14.3	14.7	78.1	14.0	14.9	73.4	12.7	15.2	71.0	12.1	15.3	68.6	11.5	15.5	63.9	10.3	15.7				
		96	81.7	14.4	16.7	78.1	13.6	16.8	73.4	12.4	17.0	71.0	11.8	17.1	68.6	11.2	17.1	63.9	10.1	17.3				
		120	82.1	14.5	17.3	78.1	13.5	17.4	73.4	12.2	17.6	71.0	11.7	17.6	68.6	11.1	17.7	63.9	9.98	17.9				
25	50	82.8	13.2	18.4	78.1	12.1	18.7	73.4	11.0	19.0	71.0	10.5	19.2	68.6	10.0	19.4	63.9	9.03	19.8					
	60	82.8	13.1	19.5	78.1	12.0	19.7	73.4	10.9	20.0	71.0	10.4	20.2	68.6	9.90	20.3	63.9	8.94	20.6					
	96	82.8	12.7	21.5	78.1	11.7	21.7	73.4	10.6	21.9	71.0	10.1	22.0	68.6	9.64	22.1	63.9	8.71	22.3					
	120	82.8	12.6	22.2	78.1	11.5	22.4	73.4	10.5	22.5	71.0	10.0	22.6	68.6	9.56	22.6	63.9	8.64	22.8					
30	50	82.8	11.5	23.2	78.1	10.5	23.5	73.4	9.62	23.9	71.0	9.18	24.1	68.6	8.76	24.3	63.9	7.93	24.7					
	60	82.8	11.4	24.3	78.1	10.4	24.6	73.4	9.52	24.9	71.0	9.09	25.1	68.6	8.67	25.2	63.9	7.86	25.5					
	96	82.8	11.1	26.4	78.1	10.1	26.6	73.4	9.28	26.8	71.0	8.86	26.9	68.6	8.45	27.0	63.9	7.66	27.2					
	120	82.8	11.0	27.1	78.1	10.1	27.3	73.4	9.20	27.4	71.0	8.78	27.5	68.6	8.38	27.6	63.9	7.60	27.8					
35	50	82.8	10.1	28.1	78.1	9.29	28.4	73.4	8.51	28.8	71.0	8.13	29.0	68.6	7.77	29.2	63.9	7.06	29.6					
	60	82.8	10.0	29.2	78.1	9.19	29.5	73.4	8.42	29.8	71.0	8.05	30.0	68.6	7.69	30.1	63.9	7.00	30.5					
	96	82.8	9.74	31.4	78.1	8.96	31.6	73.4	8.21	31.8	71.0	7.85	31.9	68.6	7.50	32.0	63.9	6.83	32.2					
	120	82.8	9.66	32.1	78.1	8.88	32.2	73.4	8.15	32.4	71.0	7.79	32.5	68.6	7.44	32.6	63.9	6.78	32.7					
40	50	82.8	9.81	33.0	78.1	9.04	33.4	73.4	8.30	33.8	71.0	7.93	34.0	68.6	7.57	34.2	63.9	6.89	34.6					
	60	82.8	9.71	34.2	78.1	8.95	34.5	73.4	8.21	34.8	71.0	7.85	35.0	68.6	7.50	35.1	63.9	6.82	35.5					
	96	82.8	9.46	36.4	78.1	8.73	36.6	73.4	8.01	36.7	71.0	7.66	36.8	68.6	7.32	36.9	63.9	6.66	37.2					
	120	82.8	9.38	37.1	78.1	8.66	37.2	73.4	7.94	37.4	71.0	7.60	37.5											

4 Capacity tables

4 - 3 Heating capacity tables

RWEYQ26PY1

TC: Total Capacity: kW ; PI: Power Input: kW (compressor + outdoor fan motor) ; OWT: Outlet Water Temperatur: °C

Combination (%)	Inlet Water Temp. (°C)	Water Volume L/min	Indoor air temperature: °CDB																	
			16.0			18.0			20.0			21.0			22.0			24.0		
			TC kW	PI kW	OWT °C	TC kW	PI kW	OWT °C	TC kW	PI kW	OWT °C	TC kW	PI kW	OWT °C	TC kW	PI kW	OWT °C	TC kW	PI kW	OWT °C
70	10	50	44.4	7.0	6.42	44.3	7.2	6.45	44.1	7.4	6.49	43.9	7.5	6.52	43.8	7.6	6.54	43.4	7.9	6.61
		60	50.4	8.9	6.69	50.1	9.1	6.74	49.7	9.4	6.79	49.5	9.6	6.82	49.3	9.8	6.85	48.8	10.1	6.92
		96	63.4	13.9	7.53	60.7	13.1	7.63	57.1	11.9	7.76	55.2	11.4	7.82	53.4	10.8	7.88	49.7	9.74	8.01
		120	64.4	13.9	7.99	60.7	12.7	8.09	57.1	11.5	8.19	55.2	11.0	8.24	53.4	10.5	8.29	49.7	9.44	8.40
	15	50	64.4	13.8	10.17	60.7	12.6	10.40	57.1	11.5	10.64	55.2	10.92	10.8	53.4	10.39	10.9	49.7	9.37	11.1
		60	64.4	13.2	10.9	60.7	12.1	11.1	57.1	11.0	11.3	55.2	10.50	11.4	53.4	10.00	11.5	49.7	9.02	11.8
		96	64.4	12.0	12.4	60.7	10.9	12.5	57.1	10.0	12.7	55.2	9.53	12.7	53.4	9.08	12.8	49.7	8.22	12.9
		120	64.4	11.6	12.9	60.7	10.6	13.0	57.1	9.67	13.1	55.2	9.23	13.2	53.4	8.80	13.2	49.7	7.97	13.3
	20	50	64.4	10.6	14.9	60.7	9.70	15.1	57.1	8.97	15.4	55.2	8.47	15.5	53.4	8.09	15.7	49.7	7.34	16.0
		60	64.4	10.4	15.7	60.7	9.60	15.9	57.1	8.78	16.2	55.2	8.39	16.3	53.4	8.01	16.4	49.7	7.27	16.6
		96	64.4	10.2	17.3	60.7	9.35	17.4	57.1	8.56	17.6	55.2	8.18	17.7	53.4	7.81	17.7	49.7	7.10	17.9
		120	64.4	10.1	17.8	60.7	9.27	18.0	57.1	8.49	18.1	55.2	8.11	18.1	53.4	7.74	18.2	49.7	7.04	18.3
25	50	64.4	9.13	19.7	60.7	8.40	20.0	57.1	7.71	20.3	55.2	7.38	20.4	53.4	7.06	20.6	49.7	6.43	20.9	
	60	64.4	9.03	20.6	60.7	8.32	20.8	57.1	7.64	21.1	55.2	7.31	21.2	53.4	6.99	21.3	49.7	6.37	21.5	
	96	64.4	8.80	22.2	60.7	8.11	22.4	57.1	7.45	22.5	55.2	7.13	22.6	53.4	6.82	22.7	49.7	6.23	22.8	
	120	64.4	8.73	22.8	60.7	8.05	22.9	57.1	7.39	23.0	55.2	7.08	23.1	53.4	6.77	23.1	49.7	6.18	23.3	
30	50	64.4	8.01	24.6	60.7	7.40	24.9	57.1	6.81	25.2	55.2	6.53	25.3	53.4	6.26	25.5	49.7	5.73	25.8	
	60	64.4	7.93	25.5	60.7	7.33	25.7	57.1	6.75	26.0	55.2	6.47	26.1	53.4	6.20	26.2	49.7	5.68	26.5	
	96	64.4	7.74	27.2	60.7	7.15	27.3	57.1	6.59	27.5	55.2	6.32	27.6	53.4	6.06	27.6	49.7	5.55	27.8	
	120	64.4	7.68	27.7	60.7	7.10	27.9	57.1	6.54	28.0	55.2	6.28	28.1	53.4	6.01	28.1	49.7	5.51	28.2	
35	50	64.4	7.13	29.5	60.7	6.60	29.8	57.1	6.10	30.1	55.2	5.86	30.3	53.4	5.62	30.4	49.7	5.16	30.7	
	60	64.4	7.06	30.4	60.7	6.54	30.7	57.1	6.05	30.9	55.2	5.81	31.1	53.4	5.57	31.2	49.7	5.12	31.4	
	96	64.4	6.89	32.1	60.7	6.39	32.3	57.1	5.91	32.5	55.2	5.68	32.5	53.4	5.45	32.6	49.7	5.01	32.8	
	120	64.4	6.84	32.7	60.7	6.34	32.8	57.1	5.87	33.0	55.2	5.64	33.0	53.4	5.41	33.1	49.7	4.98	33.2	
40	50	64.4	6.95	34.5	60.7	6.44	34.8	57.1	5.95	35.1	55.2	5.71	35.3	53.4	5.48	35.4	49.7	5.03	35.7	
	60	64.4	6.89	35.4	60.7	6.38	35.7	57.1	5.90	35.9	55.2	5.66	36.1	53.4	5.43	36.2	49.7	4.99	36.4	
	96	64.4	6.72	37.1	60.7	6.23	37.3	57.1	5.76	37.4	55.2	5.54	37.5	53.4	5.31	37.6	49.7	4.89	37.8	
	120	64.4	6.67	37.7	60.7	6.18	37.8	57.1	5.72	38.0	55.2	5.50	38.0	53.4	5.28	38.1	49.7	4.85	38.2	
45	50	64.4	6.78	39.5	60.7	6.28	39.8	57.1	5.80	40.1	55.2	5.57	40.3	53.4	5.34	40.4	49.7	4.91	40.7	
	60	64.4	6.71	40.4	60.7	6.22	40.7	57.1	5.75	40.9	55.2	5.52	41.0	53.4	5.30	41.2	49.7	4.87	41.4	
	96	64.4	6.55	42.1	60.7	6.08	42.3	57.1	5.62	42.4	55.2	5.40	42.5	53.4	5.18	42.6	49.7	4.77	42.8	
	120	64.4	6.50	42.7	60.7	6.03	42.8	57.1	5.58	43.0	55.2	5.36	43.0	53.4	5.15	43.1	49.7	4.73	43.2	
60	10	50	43.9	7.5	6.52	43.7	7.7	6.57	43.3	7.97	6.62	43.2	8.11	6.65	43.0	8.26	6.68	42.5	8.57	6.75
		60	49.5	9.6	6.82	49.1	9.9	6.88	48.7	10.22	6.94	47.3	9.81	7.01	45.8	9.31	7.10	42.6	8.35	7.27
		96	55.2	11.4	7.82	52.0	10.4	7.93	48.9	9.50	8.04	47.3	9.07	8.10	45.8	8.64	8.15	42.6	7.82	8.27
		120	55.2	11.0	8.24	52.0	10.1	8.33	48.9	9.22	8.42	47.3	8.80	8.47	45.8	8.39	8.51	42.6	7.61	8.61
	15	50	55.2	10.91	10.8	52.0	10.01	11.0	48.9	9.15	11.2	47.3	8.74	11.3	45.8	8.33	11.4	42.6	7.56	11.7
		60	55.2	10.49	11.4	52.0	9.63	11.6	48.9	8.81	11.8	47.3	8.42	11.9	45.8	8.03	12.0	42.6	7.29	12.2
		96	55.2	9.52	12.7	52.0	8.76	12.8	48.9	8.03	13.0	47.3	7.68	13.0	45.8	7.34	13.1	42.6	6.68	13.2
		120	55.2	9.22	13.2	52.0	8.49	13.3	48.9	7.79	13.4	47.3	7.45	13.4	45.8	7.12	13.5	42.6	6.49	13.6
	20	50	55.2	8.47	15.5	52.0	7.81	15.8	48.9	7.18	16.0	47.3	6.88	16.1	45.8	6.58	16.3	42.6	6.01	16.5
		60	55.2	8.38	16.3	52.0	7.73	16.5	48.9	7.11	16.7	47.3	6.81	16.8	45.8	6.52	16.9	42.6	5.96	17.1
		96	55.2	8.17	17.7	52.0	7.54	17.8	48.9	6.94	17.9	47.3	6.65	18.0	45.8	6.37	18.0	42.6	5.82	18.2
		120	55.2	8.10	18.1	52.0	7.48	18.2	48.9	6.89	18.3	47.3	6.60	18.4	45.8	6.32	18.4	42.6	5.78	18.5
25	50	55.2	7.38	20.4	52.0	6.83	20.7	48.9	6.30	20.9	47.3	6.04	21.1	45.8	5.80	21.2	42.6	5.32	21.4	
	60	55.2	7.31	21.2	52.0	6.76	21.4	48.9	6.24	21.6	47.3	5.99	21.7	45.8	5.74	21.8	42.6	5.27	22.0	
	96	55.2	7.13	22.6	52.0	6.60	22.7	48.9	6.10	22.9	47.3	5.85	22.9	45.8	5.62	23.0	42.6	5.16	23.1	
	120	55.2	7.07	23.1	52.0	6.55	23.2	48.9	6.05	23.3	47.3	5.81	23.3	45.8	5.58	23.4	42.6	5.12	23.5	
30	50	55.2	6.53	25.4	52.0	6.06	25.6	48.9	5.61	25.9	47.3	5.39	26.0	45.8	5.18	26.1	42.6	4.77	26.4	
	60	55.2	6.47	26.1	52.0	6.00	26.3	48.9	5.56	26.5	47.3	5.35	26.7	45.8	5.14	26.8	42.6	4.73	27.0	
	96	55.2	6.32	27.6	52.0	5.87	27.7	48.9	5.44	27.8	47.3	5.23	27.9	45.8	5.03	28.0	42.6	4.64	28.1	
	120	55.2	6.27	28.1	52.0	5.83	28.2	48.9	5.40	28.3	47.3	5.20	28.3	45.8	5.00	28.4	42.6	4.61	28.5	
35	50	55.2	5.85	30.3	52.0	5.45	30.5	48.9	5.06	30.8	47.3	4.88	30.9	45.8	4.69	31.1	42.6	4.34	31.3	
	60	55.2	5.80	31.1	52.0	5.40	31.3	48.9	5.02	31.5	47.3	4.84	31.6	45.8	4.66	31.7	42.6	4.31	32.0	
	96	55.2	5.67	32.5	52.0	5.29	32.7	48.9	4.92	32.8	47.3	4.74	32.9	45.8	4.56	33.0	42.6	4.22	33.1	
	120	55.2	5.63	33.0	52.0	5.25	33.1	48.9	4.88	33.2	47.3	4.71	33.3	45.8	4.53	33.4	42.6	4.20	33.5	
40	50	55.2	5.71	35.3	52.0	5.31	35.5	48.9	4.94	35.8	47.3	4.76	35.9	45.8	4.58	36.1	42.6	4.23	36.3	
	60	55.2	5.66	36.1	52.0	5.27	36.3	48.9	4.90	36.5	47.3	4.72	36.6	45.8	4.54	36.7	42.6	4.20	36.9	
	96	55.2	5.53	37.5	52.0	5.16	37.7	48.9	4.79	37.8	47.3	4.62	37.9	45.8	4.45	37.9	42.6	4.12	38.1	
	120	55.2	5.49	38.0	52.0	5.12	3													

4 Capacity tables

4 - 3 Heating capacity tables

RWEYQ28PY1

TC: Total Capacity: kW ; PI: Power Input: kW (compressor + outdoor fan motor) ; OWT: Outlet Water Temperatur: °C

Combination (%)	Inlet Water Temp. (°C)	Water Volume L/min	Indoor air temperature: °CDB																	
			16.0			18.0			20.0			21.0			22.0			24.0		
			TC	PI	OWT	TC	PI	OWT	TC	PI	OWT	TC	PI	OWT	TC	PI	OWT	TC	PI	OWT
130	10	50	41.3	10.5	7.06	43.1	9.7	6.81	44.5	8.94	6.60	45.2	8.64	6.51	45.8	8.37	6.43	46.7	7.96	6.29
		60	51.3	10.5	6.75	52.5	10.0	6.61	53.5	9.53	6.50	53.9	9.37	6.46	54.2	9.24	6.42	54.7	9.10	6.37
		96	71.1	12.4	7.08	71.4	12.4	7.06	71.5	12.5	7.06	71.5	12.6	7.07	71.5	12.7	7.08	71.3	13.1	7.10
	15	50	74.8	12.8	9.08	74.9	12.9	9.07	74.9	13.0	9.09	74.8	13.2	9.11	74.7	13.3	9.13	74.4	13.7	9.20
		60	76.9	12.8	9.90	77.0	12.9	9.90	76.9	13.2	9.92	76.8	13.3	9.94	76.7	13.5	10.0	76.3	13.9	10.0
		96	82.5	13.0	11.5	82.4	13.2	11.6	82.1	13.5	11.6	81.9	13.7	11.6	81.7	13.9	11.6	81.2	14.4	11.7
	20	50	84.4	13.1	12.2	84.2	13.3	12.2	83.9	13.7	12.2	83.7	13.9	12.2	83.5	14.1	12.2	82.9	14.6	12.3
		60	89.6	13.4	12.7	89.3	13.7	12.8	88.8	14.1	12.9	88.5	14.3	12.9	88.2	14.6	13.0	87.5	15.1	13.1
		96	90.2	13.4	13.9	89.9	13.7	13.9	89.4	14.1	14.0	89.1	14.4	14.0	88.8	14.6	14.1	88.1	15.2	14.2
	25	50	91.8	13.5	16.1	91.4	13.9	16.1	90.9	14.3	16.2	90.6	14.5	16.2	90.3	14.8	16.2	89.5	15.3	16.3
		60	92.3	13.6	16.9	92.0	13.9	16.9	91.4	14.3	16.9	91.1	14.6	17.0	90.8	14.8	17.0	90.0	15.4	17.0
		96	98.7	14.0	18.9	98.1	14.4	17.0	97.5	14.9	17.1	97.1	15.2	17.2	96.7	15.4	17.2	95.8	16.0	17.4
30	50	99.4	14.1	18.2	98.8	14.5	18.3	98.1	15.0	18.4	97.7	15.2	18.4	97.3	15.5	18.5	96.4	16.1	18.6	
	60	101	14.2	20.7	100	14.6	20.7	99.7	15.1	20.8	99.3	15.4	20.8	98.9	15.6	20.9	97.9	16.2	20.9	
	120	102	14.3	21.5	101	14.7	21.6	100	15.2	21.6	99.9	15.4	21.7	99.4	15.7	21.7	98.4	16.3	21.7	
35	50	108	14.8	21.1	107	15.2	21.2	106	15.7	21.4	106	16.0	21.4	105	16.3	21.5	99.7	16.5	21.9	
	60	108	14.8	22.6	108	15.3	22.6	107	15.8	22.8	106	16.1	22.8	106	16.4	22.9	99.7	15.1	23.3	
	96	110	15.0	25.3	109	15.5	25.3	108	16.0	25.4	108	16.2	25.4	107	16.4	25.5	99.7	14.7	25.8	
40	50	111	15.0	26.2	110	15.5	26.2	109	16.0	26.3	109	16.3	26.3	107	16.2	26.4	99.7	14.5	26.6	
	60	117	15.6	25.3	116	16.1	25.5	114	16.5	25.6	111	15.7	25.9	107	14.9	26.2	99.7	13.4	26.8	
	96	117	15.6	26.9	116	16.1	27.0	114	16.3	27.2	111	15.5	27.4	107	14.7	27.6	99.7	13.2	28.1	
45	50	119	15.8	29.9	118	16.3	29.9	114	15.8	30.1	111	15.1	30.2	107	14.3	30.4	99.7	12.9	30.7	
	60	120	15.9	30.9	119	16.3	30.9	114	15.7	31.1	111	14.9	31.2	107	14.2	31.3	99.7	12.7	31.5	
	96	126	16.4	29.6	122	16.0	29.9	114	15.9	30.6	111	15.1	30.9	107	14.3	31.1	99.7	12.9	31.7	
120	50	126	16.5	31.3	122	15.8	31.6	114	15.7	32.1	111	14.9	32.4	107	14.2	32.6	99.7	12.8	33.1	
	60	128	16.6	34.4	122	15.4	34.7	114	15.2	35.1	111	14.5	35.2	107	13.8	35.4	99.7	12.4	35.7	
	96	129	16.7	35.5	122	15.2	35.8	114	15.1	36.0	111	14.4	36.2	107	13.7	36.3	99.7	12.3	36.5	
10	50	129	16.3	34.2	122	15.6	34.9	114	15.3	35.5	111	14.6	35.8	107	13.9	36.1	99.7	12.5	36.7	
	60	129	16.1	36.0	122	15.4	36.5	114	15.1	37.1	111	14.4	37.3	107	13.7	37.6	99.7	12.4	38.0	
	96	129	15.6	39.4	122	15.0	39.7	114	14.7	40.0	111	14.0	40.2	107	13.4	40.3	99.7	12.1	40.6	
15	50	129	15.5	40.5	122	14.9	40.7	114	14.6	41.0	111	13.9	41.1	107	13.2	41.3	99.7	12.0	41.5	
	60	43.6	9.39	6.73	44.9	8.77	6.55	46.0	8.28	6.40	46.4	8.09	6.34	46.8	7.92	6.28	47.5	7.70	6.20	
	96	52.9	9.79	6.57	53.7	9.43	6.48	54.3	9.20	6.41	54.6	9.13	6.38	54.7	9.09	6.36	55.0	9.10	6.35	
20	50	71.5	12.5	7.06	71.5	12.6	7.07	71.5	12.8	7.08	71.4	12.9	7.09	71.2	13.1	7.11	70.8	13.5	7.15	
	60	74.9	12.9	9.07	74.9	13.1	9.10	74.7	13.4	9.14	74.5	13.6	9.17	74.3	13.8	9.21	73.9	14.2	9.30	
	96	77.0	13.0	9.9	76.9	13.2	9.9	76.6	13.6	10.0	76.4	13.7	10.0	76.2	14.0	10.0	75.7	14.5	10.1	
25	50	82.3	13.3	11.6	82.0	13.6	11.6	81.6	14.0	11.6	81.4	14.2	11.7	81.1	14.5	11.7	80.4	15.0	11.7	
	60	84.1	13.5	12.2	83.8	13.8	12.2	83.4	14.2	12.2	83.1	14.4	12.3	82.8	14.7	12.3	82.1	15.2	12.3	
	96	89.1	13.8	12.8	88.7	14.2	12.9	88.1	14.7	13.0	87.8	14.9	13.0	87.4	15.2	13.1	86.6	15.7	13.2	
30	50	89.7	13.9	14.0	89.3	14.3	14.0	88.7	14.7	14.1	88.3	15.0	14.2	88.0	15.2	14.2	87.1	15.8	14.3	
	60	91.3	14.0	16.2	90.8	14.4	16.2	90.2	14.9	16.3	89.8	15.1	16.3	89.4	15.4	16.3	88.6	16.0	16.4	
	96	91.8	14.0	16.9	91.3	14.4	16.9	90.6	14.9	17.0	90.3	15.2	17.0	89.9	15.4	17.0	89.0	16.0	17.1	
35	50	97.9	14.6	17.0	97.3	15.0	17.1	96.5	15.5	17.3	96.1	15.8	17.3	95.6	16.1	17.4	92.0	15.6	17.7	
	60	98.6	14.6	18.3	97.9	15.1	18.4	97.1	15.6	18.5	96.7	15.9	18.6	96.2	16.1	18.6	92.0	15.4	18.9	
	96	100	14.8	20.7	99.5	15.3	20.8	98.7	15.8	20.9	98.3	16.0	20.9	97.8	16.3	20.9	92.0	15.0	21.2	
40	50	101	14.8	21.6	100	15.3	21.6	99.2	15.8	21.7	98.8	16.1	21.7	98.3	16.4	21.7	92.0	14.8	21.9	
	60	107	15.4	21.3	106	15.9	21.4	105	16.4	21.5	102	15.9	21.7	98.8	15.0	22.0	92.0	13.5	22.5	
	96	107	15.5	22.7	106	16.0	22.8	106	16.5	22.9	102	15.7	23.1	98.8	14.9	23.3	92.0	13.4	23.7	
45	50	109	15.6	25.3	108	16.1	25.4	106	16.0	25.5	102	15.2	25.7	98.8	14.5	25.8	92.0	13.0	26.1	
	60	110	15.7	26.3	109	16.2	26.3	106	15.9	26.4	102	15.1	26.5	98.8	14.3	26.6	92.0	12.9	26.8	
	96	115	16.2	25.5	112	16.0	25.8	106	14.6	26.3	102	13.9	26.6	98.8	13.2	26.8	92.0	11.9	27.3	
10	50	116	16.3	27.1	112	15.9	27.3	106	14.4	27.7	102	13.7	28.0	98.8	13.0	28.2	92.0	11.7	28.6	
	60	118	16.5	30.0	112	15.4	30.2	106	14.0	30.4	102	13.3	30.6	98.8	12.7	30.7	92.0	11.4	31.0	
	96	119	16.5	30.9	112	15.3	31.1	106	13.9	31.3	102	13.2	31.5	98.8	12.6	31.6	92.0	11.3	31.8	
15	50	119	15.5	30.1	112	15.4	30.7	106	14.0	31.3	102	13.4	31.5	98.8	12.7	31.8	92.0	11.5	32.3	
	60	119	15.3	31.7	112	15.3	32.3	106	13.9	32.7	102	13.2	32.9	98.8	12.6	33.1	92.0	11.4	33.6	
	96	119	14.9	34.8	112	14.8	35.1	106	13.5	35.4	102	12.9	35.6	98.8	12.3	35.7	92.0	11.1	36.0	
20	50	119	14.8	35.8	112	14.7	36.1	106	13.4	36.3	102	12.8	36.4	98.8	12.2	36.6	92.0	11.0	36.8	
	60	119	15.1	35.1	112	14.9	35.7	106	13.6	36.2	102	13.0	36.5	98.8	12.4	36.7	92.0	10.3	37.2	
	96	119	14.9	36.7	112	14.7	37.2	106	13.5	37.7	102	12.8	37.9	98.8	12.2	38.1	92.0	11.1	38.6	
25	50	119	14.5	39.8	112	14.3	40.1	106	13.1	40.4	102	12.5	40.5	98.8	11.9	40.7	92.0	10.8	41.0	
	60	119	14.4	40.8	112	14.2	41.1	106	13.0	41.3	102	12.4	41.4	98.8	11.8	41.5	92.0	10.7	41.8	
	96	119	14.5	40.8	112	14.2	41.1	106	13.0	41.3	102	12.4	41.4	98.8	11.8	41.5	92.0	10.7	41.8	
30	50	45.4	8.53	6.47	46.3	8.13	6.35	47.0	7.84	6.25	47.3	7.74	6.22	47.6	7.66	6.19	47.9	7.60	6.15	
	60	54.0	9.31	6.44	54.5	9.15	6.39	54.8	9.08	6.36	54.9	9.08	6.35	55.0	9.11	6.34	55.0	9.25	6.35	
	96	71.5	12.7	7.07	71.4	12.9	7.09	71.1	13.2	7.12	70.9	13.4	7.14	70.7	13.6	7.16	70.2	14.1	7.21	
35	50	75																		

4 Capacity tables

4 - 3 Heating capacity tables

RWEYQ28PY1

TC: Total Capacity: kW ; PI: Power Input: kW (compressor + outdoor fan motor) ; OWT: Outlet Water Temperatur: °C

Combination (%)	Inlet Water Temp. (°C)	Water Volume L/min	Indoor air temperature: °CDB																	
			16.0			18.0			20.0			21.0			22.0			24.0		
			TC kW	PI kW	OWT °C	TC kW	PI kW	OWT °C	TC kW	PI kW	OWT °C	TC kW	PI kW	OWT °C	TC kW	PI kW	OWT °C	TC kW	PI kW	OWT °C
100	10	50	46.8	7.94	6.29	47.3	7.74	6.22	47.7	7.62	6.17	47.9	7.60	6.15	48.0	7.60	6.14	48.1	7.67	6.14
		60	54.7	9.09	6.37	55.0	9.08	6.35	55.0	9.16	6.35	55.0	9.23	6.35	55.0	9.32	6.36	54.8	9.56	6.40
		96	71.2	13.1	7.11	70.9	13.4	7.14	70.5	13.8	7.18	70.3	14.1	7.20	70.0	14.3	7.23	69.4	14.8	7.28
		120	74.5	13.9	7.59	74.2	14.3	7.62	73.7	14.7	7.65	73.4	15.0	7.67	73.1	15.3	7.70	72.4	15.8	7.75
	15	50	74.4	13.7	9.21	74.0	14.1	9.28	73.5	14.6	9.37	73.2	14.8	9.42	72.9	15.1	9.47	72.3	15.6	9.59
		60	76.2	13.9	10.0	75.8	14.3	10.1	75.3	14.8	10.2	75.0	15.0	10.2	74.7	15.3	10.3	74.0	15.9	10.4
		96	81.1	14.4	11.7	80.6	14.9	11.7	80.0	15.4	11.8	79.6	15.6	11.8	79.2	15.9	11.8	78.7	15.6	12.0
		120	82.8	14.6	12.3	82.3	15.1	12.3	81.6	15.6	12.4	81.2	15.8	12.4	80.9	16.1	12.4	80.7	15.1	12.5
	20	50	87.5	15.1	13.1	86.8	15.6	13.2	86.1	16.1	13.3	85.2	16.2	13.4	82.3	15.3	13.6	76.7	13.8	14.0
		60	88.0	15.2	14.2	87.4	15.7	14.3	86.6	16.2	14.4	85.2	16.0	14.5	82.3	15.2	14.7	76.7	13.6	15.0
		96	89.5	15.3	16.3	88.8	15.8	16.4	88.0	16.3	16.4	85.2	15.5	16.5	82.3	14.7	16.6	76.7	13.2	16.8
		120	89.9	15.4	17.0	89.2	15.9	17.1	88.0	16.2	17.1	85.2	15.4	17.2	82.3	14.6	17.3	76.7	13.1	17.5
25	50	95.7	16.0	17.4	93.7	16.0	17.6	88.0	14.5	18.0	85.2	13.8	18.2	82.3	13.1	18.4	76.7	11.8	18.8	
	60	96.3	16.1	18.6	93.7	15.8	18.8	88.0	14.4	19.1	85.2	13.7	19.3	82.3	13.0	19.5	76.7	11.7	19.8	
	96	97.9	16.3	20.9	93.7	15.4	21.1	88.0	14.0	21.3	85.2	13.3	21.4	82.3	12.7	21.5	76.7	11.4	21.8	
	120	98.4	16.3	21.7	93.7	15.2	21.9	88.0	13.9	22.0	85.2	13.2	22.1	82.3	12.5	22.2	76.7	11.3	22.4	
30	50	99.3	15.2	22.0	93.7	13.9	22.4	88.0	12.6	22.8	85.2	12.0	23.0	82.3	11.4	23.2	76.7	10.3	23.7	
	60	99.3	15.0	23.3	93.7	13.7	23.6	88.0	12.5	24.0	85.2	11.9	24.2	82.3	11.3	24.3	76.7	10.2	24.7	
	96	99.3	14.6	25.8	93.7	13.3	26.0	88.0	12.2	26.2	85.2	11.6	26.3	82.3	11.0	26.5	76.7	9.97	26.7	
	120	99.3	14.4	26.6	93.7	13.2	26.8	88.0	12.0	27.0	85.2	11.5	27.1	82.3	10.9	27.2	76.7	9.88	27.3	
35	50	99.3	13.3	26.8	93.7	12.2	27.2	88.0	11.1	27.7	85.2	10.6	27.9	82.3	10.1	28.1	76.7	9.15	28.5	
	60	99.3	13.1	28.1	93.7	12.0	28.5	88.0	11.0	28.9	85.2	10.5	29.1	82.3	10.0	29.2	76.7	9.06	29.6	
	96	99.3	12.8	30.7	93.7	11.7	30.9	88.0	10.7	31.2	85.2	10.2	31.3	82.3	9.75	31.4	76.7	8.84	31.6	
	120	99.3	12.7	31.6	93.7	11.6	31.7	88.0	10.6	31.9	85.2	10.1	32.0	82.3	9.67	32.1	76.7	8.77	32.3	
40	50	99.3	12.8	31.7	93.7	11.8	32.2	88.0	10.8	32.6	85.2	10.3	32.8	82.3	9.84	33.1	76.7	8.92	33.5	
	60	99.3	12.7	33.1	93.7	11.7	33.5	88.0	10.7	33.8	85.2	10.2	34.0	82.3	9.75	34.2	76.7	8.84	34.6	
	96	99.3	12.4	35.7	93.7	11.4	35.9	88.0	10.4	36.1	85.2	9.95	36.3	82.3	9.51	36.4	76.7	8.62	36.6	
	120	99.3	12.3	36.5	93.7	11.3	36.7	88.0	10.3	36.9	85.2	9.87	37.0	82.3	9.43	37.1	76.7	8.55	37.3	
45	50	99.3	12.4	36.7	93.7	11.5	37.1	88.0	10.5	37.6	85.2	10.1	37.8	82.3	9.60	38.0	76.7	8.70	38.5	
	60	99.3	12.3	38.1	93.7	11.3	38.4	88.0	10.4	38.8	85.2	9.95	39.0	82.3	9.50	39.2	76.7	8.61	39.6	
	96	99.3	12.0	40.7	93.7	11.1	40.9	88.0	10.2	41.1	85.2	9.70	41.2	82.3	9.27	41.4	76.7	8.40	41.6	
	120	99.3	11.9	41.5	93.7	11.0	41.7	88.0	10.1	41.9	85.2	9.63	42.0	82.3	9.19	42.1	76.7	8.33	42.3	
90	10	50	47.7	7.64	6.18	47.9	7.60	6.15	48.1	7.63	6.14	48.1	7.67	6.14	48.0	7.73	6.14	48.0	7.91	6.17
		60	55.0	9.13	6.35	55.0	9.25	6.35	54.9	9.44	6.38	54.8	9.56	6.40	54.7	9.70	6.42	54.4	10.0	6.47
		96	70.6	13.7	7.17	70.2	14.1	7.21	69.7	14.6	7.26	69.4	14.8	7.28	69.1	15.1	7.31	68.4	15.7	7.38
		120	73.8	14.6	7.64	73.3	15.1	7.68	72.7	15.6	7.72	72.4	15.8	7.75	72.1	16.1	7.77	69.0	15.4	7.87
	15	50	73.6	14.5	9.34	73.1	14.9	9.43	72.6	15.4	9.54	72.3	15.7	9.59	71.9	15.9	9.7	69.0	15.3	9.9
		60	75.4	14.7	10.2	74.9	15.1	10.2	74.3	15.6	10.3	74.0	15.9	10.4	73.6	16.2	10.4	69.0	14.7	10.7
		96	80.1	15.2	11.8	79.5	15.7	11.8	78.8	16.2	11.9	78.7	15.6	12.0	74.1	14.8	12.1	69.0	13.3	12.2
		120	81.8	15.4	12.4	81.1	15.9	12.4	79.2	15.9	12.5	78.7	15.1	12.5	74.1	14.3	12.6	69.0	12.9	12.8
	20	50	86.2	16.0	13.3	84.3	15.9	13.5	79.2	14.4	13.8	76.7	13.7	14.0	74.1	13.1	14.2	69.0	11.8	14.5
		60	86.8	16.0	14.4	84.3	15.7	14.5	79.2	14.3	14.8	76.7	13.6	15.0	74.1	12.9	15.1	69.0	11.6	15.4
		96	88.2	16.2	16.4	84.3	15.3	16.6	79.2	13.9	16.8	76.7	13.2	16.8	74.1	12.6	16.9	69.0	11.3	17.1
		120	88.7	16.3	17.1	84.3	15.1	17.2	79.2	13.8	17.4	76.7	13.1	17.5	74.1	12.5	17.5	69.0	11.2	17.7
25	50	89.4	14.9	17.9	84.3	13.6	18.2	79.2	12.4	18.6	76.7	11.8	18.8	74.1	11.3	19.0	69.0	10.2	19.4	
	60	89.4	14.7	19.1	84.3	13.5	19.4	79.2	12.3	19.7	76.7	11.7	19.8	74.1	11.1	20.0	69.0	10.1	20.3	
	96	89.4	14.3	21.3	84.3	13.1	21.5	79.2	11.9	21.7	76.7	11.4	21.8	74.1	10.8	21.9	69.0	9.80	22.1	
	120	89.4	14.2	22.0	84.3	13.0	22.2	79.2	11.8	22.3	76.7	11.3	22.4	74.1	10.8	22.5	69.0	9.72	22.6	
30	50	89.4	12.9	22.7	84.3	11.8	23.1	79.2	10.8	23.5	76.7	10.3	23.7	74.1	9.85	23.9	69.0	8.92	24.3	
	60	89.4	12.8	23.9	84.3	11.7	24.2	79.2	10.7	24.5	76.7	10.2	24.7	74.1	9.75	24.9	69.0	8.83	25.2	
	96	89.4	12.4	26.2	84.3	11.4	26.4	79.2	10.4	26.6	76.7	9.96	26.7	74.1	9.50	26.8	69.0	8.62	27.0	
	120	89.4	12.3	26.9	84.3	11.3	27.1	79.2	10.3	27.3	76.7	9.88	27.3	74.1	9.42	27.4	69.0	8.55	27.6	
35	50	89.4	11.4	27.5	84.3	10.4	27.9	79.2	9.57	28.3	76.7	9.15	28.6	74.1	8.73	28.8	69.0	7.94	29.2	
	60	89.4	11.2	28.8	84.3	10.3	29.1	79.2	9.47	29.4	76.7	9.06	29.6	74.1	8.65	29.8	69.0	7.87	30.1	
	96	89.4	11.0	31.1	84.3	10.1	31.3	79.2	9.24	31.5	76.7	8.83	31.6	74.1	8.44	31.7	69.0	7.68	31.9	
	120	89.4	10.9	31.9	84.3	9.99	32.0	79.2	9.16	32.2	76.7	8.76	32.3	74.1	8.37	32.4	69.0	7.62	32.6	
40	50	89.4	11.0	32.5	84.3	10.2	32.9	79.2	9.33	33.3	76.7	8.92	33.5	74.1	8.52	33.7	69.0	7.74	34.1	
	60	89.4	10.9	33.8	84.3	10.1	34.1	79.2	9.24	34.4	76.7	8.83	34.6	74.1	8.43	34.8	69.0	7.67	35.1	
	96	89.4	10.6	36.1	84.3	9.81	36.3	79.2	9.01	36.5	76.7	8.61	36.6	74.1	8.23	36.7	69.0	7.49	36.9	
	120	89.4	10.6	36.9	84.3	9.73														

4 Capacity tables

4 - 3 Heating capacity tables

RWEYQ28PY1										TC: Total Capacity: kW ; PI: Power Input: kW (compressor + outdoor fan motor) ; OWT: Outlet Water Temperatur: °C											
Combination (%)	Inlet Water Temp. (°C)	Water Volume L/min	Indoor air temperature: °CDB																		
			16.0			18.0			20.0			21.0			22.0			24.0			
			TC kW	PI kW	OWT °C	TC kW	PI kW	OWT °C	TC kW	PI kW	OWT °C	TC kW	PI kW	OWT °C	TC kW	PI kW	OWT °C	TC kW	PI kW	OWT °C	
70	10	50	48.0	7.89	6.17	47.8	8.07	6.20	47.6	8.30	6.25	47.4	8.43	6.27	47.3	8.57	6.30	46.9	8.89	6.37	
		60	54.4	10.0	6.46	54.1	10.3	6.51	53.7	10.6	6.57	53.5	10.8	6.60	53.2	11.0	6.64	52.7	11.4	6.71	
		96	68.5	15.6	7.37	65.6	14.8	7.47	61.6	13.4	7.60	59.6	12.8	7.67	57.6	12.2	7.74	53.7	11.0	7.87	
		120	69.5	15.6	7.85	65.6	14.3	7.96	61.6	13.0	8.06	59.6	12.4	8.12	57.6	11.8	8.17	53.7	10.6	8.29	
	15	50	69.5	15.5	9.84	65.6	14.2	10.09	61.6	12.9	10.35	59.6	12.3	10.5	57.6	11.7	10.6	53.7	10.54	10.9	
		60	69.5	14.9	10.7	65.6	13.6	10.9	61.6	12.4	11.1	59.6	11.8	11.2	57.6	11.2	11.3	53.7	10.15	11.5	
		96	69.5	13.4	12.2	65.6	12.3	12.4	61.6	11.2	12.5	59.6	10.7	12.6	57.6	10.2	12.6	53.7	9.24	12.8	
		120	69.5	13.0	12.8	65.6	11.9	12.9	61.6	10.9	13.0	59.6	10.4	13.0	57.6	9.9	13.1	53.7	8.96	13.2	
	20	50	69.5	11.9	14.5	65.6	10.9	14.8	61.6	9.98	15.1	59.6	9.53	15.2	57.6	9.09	15.4	53.7	8.25	15.7	
		60	69.5	11.8	15.4	65.6	10.8	15.6	61.6	9.87	15.9	59.6	9.43	16.0	57.6	9.00	16.1	53.7	8.18	16.4	
		96	69.5	11.4	17.1	65.6	10.5	17.3	61.6	9.62	17.4	59.6	9.20	17.5	57.6	8.78	17.6	53.7	7.98	17.7	
		120	69.5	11.3	17.7	65.6	10.4	17.8	61.6	9.54	17.9	59.6	9.12	18.0	57.6	8.71	18.1	53.7	7.92	18.2	
25	50	69.5	10.3	19.3	65.6	9.45	19.6	61.6	8.68	19.9	59.6	8.30	20.1	57.6	7.94	20.3	53.7	7.23	20.6		
	60	69.5	10.2	20.3	65.6	9.36	20.5	61.6	8.59	20.8	59.6	8.22	20.9	57.6	7.86	21.0	53.7	7.17	21.3		
	96	69.5	9.90	22.0	65.6	9.12	22.2	61.6	8.38	22.4	59.6	8.02	22.4	57.6	7.67	22.5	53.7	7.00	22.7		
	120	69.5	9.82	22.6	65.6	9.05	22.8	61.6	8.32	22.9	59.6	7.96	22.9	57.6	7.62	23.0	53.7	6.95	23.1		
30	50	69.5	9.01	24.2	65.6	8.32	24.5	61.6	7.66	24.8	59.6	7.35	25.0	57.6	7.04	25.2	53.7	6.44	25.5		
	60	69.5	8.92	25.2	65.6	8.24	25.4	61.6	7.59	25.7	59.6	7.28	25.8	57.6	6.97	26.0	53.7	6.38	26.2		
	96	69.5	8.70	27.0	65.6	8.04	27.1	61.6	7.41	27.3	59.6	7.11	27.4	57.6	6.81	27.5	53.7	6.24	27.6		
	120	69.5	8.63	27.6	65.6	7.98	27.7	61.6	7.36	27.8	59.6	7.06	27.9	57.6	6.76	28.0	53.7	6.20	28.1		
35	50	69.5	8.02	29.1	65.6	7.43	29.4	61.6	6.86	29.8	59.6	6.59	29.9	57.6	6.32	30.1	53.7	5.81	30.4		
	60	69.5	7.94	30.1	65.6	7.36	30.4	61.6	6.80	30.6	59.6	6.53	30.8	57.6	6.27	30.9	53.7	5.76	31.2		
	96	69.5	7.75	31.9	65.6	7.19	32.1	61.6	6.65	32.3	59.6	6.39	32.4	57.6	6.13	32.4	53.7	5.64	32.6		
	120	69.5	7.69	32.5	65.6	7.13	32.7	61.6	6.60	32.8	59.6	6.34	32.9	57.6	6.09	32.9	53.7	5.60	33.1		
40	50	69.5	7.82	34.1	65.6	7.24	34.4	61.6	6.69	34.8	59.6	6.42	34.9	57.6	6.16	35.1	53.7	5.66	35.4		
	60	69.5	7.74	35.1	65.6	7.17	35.4	61.6	6.63	35.6	59.6	6.37	35.8	57.6	6.11	35.9	53.7	5.61	36.2		
	96	69.5	7.56	36.9	65.6	7.01	37.1	61.6	6.48	37.3	59.6	6.23	37.3	57.6	5.98	37.4	53.7	5.50	37.6		
	120	69.5	7.50	37.5	65.6	6.96	37.7	61.6	6.43	37.8	59.6	6.18	37.9	57.6	5.93	37.9	53.7	5.46	38.1		
45	50	69.5	7.62	39.1	65.6	7.06	39.4	61.6	6.52	39.7	59.6	6.26	39.9	57.6	6.01	40.1	53.7	5.52	40.4		
	60	69.5	7.55	40.1	65.6	6.99	40.3	61.6	6.46	40.6	59.6	6.21	40.7	57.6	5.96	40.9	53.7	5.47	41.2		
	96	69.5	7.37	41.9	65.6	6.83	42.1	61.6	6.32	42.2	59.6	6.07	42.3	57.6	5.83	42.4	53.7	5.36	42.6		
	120	69.5	7.31	42.5	65.6	6.78	42.7	61.6	6.27	42.8	59.6	6.03	42.9	57.6	5.79	42.9	53.7	5.32	43.1		
60	10	50	47.4	8.4	6.27	47.2	8.7	6.32	46.8	9.0	6.38	46.6	9.1	6.42	46.4	9.3	6.45	45.9	9.63	6.53	
		60	53.5	10.8	6.60	53.1	11.1	6.66	52.6	11.5	6.73	51.1	11.0	6.81	49.4	10.5	6.90	46.0	9.39	7.08	
		96	59.6	12.8	7.67	56.2	11.7	7.79	52.8	10.7	7.90	51.1	10.2	7.96	49.4	9.72	8.02	46.0	8.80	8.15	
		120	59.6	12.4	8.12	56.2	11.3	8.21	52.8	10.4	8.31	51.1	9.9	8.36	49.4	9.44	8.41	46.0	8.56	8.51	
	15	50	59.6	12.3	10.5	56.2	11.3	10.7	52.8	10.29	10.9	51.1	9.82	11.1	49.4	9.37	11.2	46.0	8.50	11.4	
		60	59.6	11.8	11.2	56.2	10.8	11.4	52.8	9.91	11.6	51.1	9.47	11.7	49.4	9.03	11.8	46.0	8.20	12.0	
		96	59.6	10.7	12.6	56.2	9.85	12.7	52.8	9.03	12.8	51.1	8.64	12.9	49.4	8.25	13.0	46.0	7.51	13.1	
		120	59.6	10.4	13.0	56.2	9.54	13.1	52.8	8.76	13.2	51.1	8.38	13.3	49.4	8.01	13.4	46.0	7.30	13.5	
	20	50	59.6	9.52	15.2	56.2	8.78	15.5	52.8	8.07	15.7	51.1	7.73	15.9	49.4	7.40	16.0	46.0	6.76	16.2	
		60	59.6	9.43	16.0	56.2	8.70	16.2	52.8	8.00	16.4	51.1	7.66	16.5	49.4	7.33	16.7	46.0	6.70	16.9	
		96	59.6	9.19	17.5	56.2	8.48	17.6	52.8	7.81	17.8	51.1	7.48	17.8	49.4	7.16	17.9	46.0	6.55	18.0	
		120	59.6	9.11	18.0	56.2	8.41	18.1	52.8	7.75	18.2	51.1	7.42	18.3	49.4	7.11	18.3	46.0	6.50	18.4	
25	50	59.6	8.29	20.1	56.2	7.68	20.4	52.8	7.08	20.6	51.1	6.80	20.8	49.4	6.52	20.9	46.0	5.98	21.2		
	60	59.6	8.22	20.9	56.2	7.60	21.1	52.8	7.02	21.4	51.1	6.74	21.5	49.4	6.46	21.6	46.0	5.93	21.8		
	96	59.6	8.02	22.4	56.2	7.42	22.6	52.8	6.86	22.7	51.1	6.58	22.8	49.4	6.32	22.9	46.0	5.80	23.0		
	120	59.6	7.96	22.9	56.2	7.37	23.1	52.8	6.81	23.2	51.1	6.54	23.2	49.4	6.27	23.3	46.0	5.76	23.4		
30	50	59.6	7.34	25.0	56.2	6.81	25.3	52.8	6.31	25.6	51.1	6.07	25.7	49.4	5.83	25.8	46.0	5.37	26.1		
	60	59.6	7.27	25.8	56.2	6.75	26.1	52.8	6.25	26.3	51.1	6.01	26.4	49.4	5.78	26.5	46.0	5.32	26.8		
	96	59.6	7.10	27.4	56.2	6.60	27.5	52.8	6.12	27.7	51.1	5.88	27.8	49.4	5.66	27.8	46.0	5.22	28.0		
	120	59.6	7.05	27.9	56.2	6.55	28.0	52.8	6.08	28.1	51.1	5.84	28.2	49.4	5.62	28.3	46.0	5.18	28.4		
35	50	59.6	6.58	29.9	56.2	6.13	30.2	52.8	5.69	30.5	51.1	5.48	30.6	49.4	5.28	30.8	46.0	4.88	31.1		
	60	59.6	6.52	30.8	56.2	6.08	31.0	52.8	5.65	31.2	51.1	5.43	31.4	49.4	5.24	31.5	46.0	4.84	31.7		
	96	59.6	6.38	32.4	56.2	5.95	32.5	52.8	5.53	32.6	51.1	5.33	32.7	49.4	5.13	32.8	46.0	4.75	32.9		
	120	59.6	6.33	32.9	56.2	5.91	33.0	52.8	5.49	33.1	51.1	5.29	33.2	49.4	5.10	33.2	46.0	4.72	33.4		
40	50	59.6	6.42	34.9	56.2	5.98	35.2	52.8	5.55	35.5	51.1	5.35	35.6	49.4	5.15	35.8	46.0	4.76	36.1		
	60	59.6	6.36	35.8	56.2	5.93	36.0	52.8	5.51	36.2	51.1	5.30	36.4	49.4	5.11	36.5	46.0	4.72	36.7		
	96	59.6	6.22	37.3	56.2	5.80	37.5	52.8	5.39	37.6	51.1	5.20	37.7	49.4	5.00	37.8	46.0	4.63	37.9		
	120	59.6	6.18	37.9	56.2	5.76	38.0	52.8	5.36	38.1	51.1										

4 Capacity tables

4 - 3 Heating capacity tables

RWEYQ30PY1

TC: Total Capacity: kW ; PI: Power Input: kW (compressor + outdoor fan motor) ; OWT: Outlet Water Temperatur: °C

Combination (%)	Inlet Water Temp. (°C)	Water Volume L/min	Indoor air temperature: °CDB																	
			16.0			18.0			20.0			21.0			22.0			24.0		
			TC kW	PI kW	OWT °C	TC kW	PI kW	OWT °C	TC kW	PI kW	OWT °C	TC kW	PI kW	OWT °C	TC kW	PI kW	OWT °C	TC kW	PI kW	OWT °C
130	10	50	44.4	11.7	6.88	46.2	10.7	6.61	47.8	9.93	6.38	48.5	9.60	6.28	49.2	9.30	6.19	50.2	8.84	6.05
		60	55.1	11.7	6.54	56.4	11.1	6.39	57.4	10.6	6.27	57.8	10.4	6.22	58.2	10.3	6.18	58.7	10.1	6.13
		96	76.4	13.8	6.89	76.7	13.8	6.87	76.8	13.9	6.87	76.8	14.0	6.87	76.8	14.2	6.88	76.5	14.5	6.91
	15	50	80.3	14.2	8.69	80.5	14.3	8.68	80.4	14.5	8.70	80.4	14.6	8.72	80.3	14.8	8.75	79.9	15.2	8.82
		60	82.6	14.2	9.56	82.7	14.4	9.56	82.6	14.6	9.59	82.5	14.8	9.61	82.3	15.0	9.64	81.9	15.4	9.7
		96	88.5	14.4	11.3	88.4	14.7	11.3	88.2	15.0	11.4	88.0	15.2	11.4	87.7	15.5	11.4	87.1	16.0	11.5
	20	50	96.2	14.9	12.2	95.9	15.2	12.3	95.4	15.6	12.4	95.1	15.9	12.4	94.7	16.2	12.5	94.0	16.8	12.6
		60	96.9	14.9	13.5	96.5	15.3	13.5	96.0	15.7	13.6	95.7	16.0	13.7	95.4	16.2	13.7	94.6	16.8	13.8
		96	98.6	15.0	15.8	98.2	15.4	15.9	97.7	15.9	15.9	97.3	16.1	16.0	97.0	16.4	16.0	96.1	17.0	16.1
	25	50	106	15.6	16.4	105	16.0	16.5	105	16.5	16.6	104	16.8	16.6	104	17.1	16.7	103	17.8	16.9
		60	107	15.6	17.8	106	16.1	17.8	105	16.6	17.9	105	16.9	18.0	104	17.2	18.1	103	17.8	18.2
		96	109	15.8	20.4	108	16.3	20.4	107	16.8	20.5	107	17.1	20.5	106	17.4	20.6	105	18.0	20.7
30	50	116	16.4	20.5	115	16.9	20.6	114	17.5	20.8	113	17.8	20.9	113	18.1	20.9	107	16.9	21.4	
	60	116	16.5	22.0	116	17.0	22.2	115	17.6	22.3	114	17.9	22.3	114	18.2	22.4	107	16.8	22.8	
	96	118	16.7	24.9	117	17.2	25.0	117	17.7	25.1	116	18.0	25.1	115	18.2	25.2	107	16.3	25.5	
35	50	125	17.3	24.7	124	17.8	24.8	123	18.3	25.0	119	17.4	25.3	115	16.5	25.6	107	14.8	26.2	
	60	126	17.4	26.3	125	17.9	26.5	123	18.1	26.7	119	17.2	26.9	115	16.3	27.1	107	14.7	27.6	
	96	128	17.6	29.5	127	18.1	29.6	123	17.6	29.8	119	16.7	29.9	115	15.9	30.1	107	14.3	30.4	
40	50	135	18.2	28.9	131	17.8	29.2	123	17.6	29.9	119	16.8	30.2	115	15.9	30.5	107	14.3	31.1	
	60	136	18.3	30.7	131	17.6	31.0	123	17.4	31.6	119	16.6	31.9	115	15.8	32.1	107	14.2	32.6	
	96	138	18.5	34.1	131	17.1	34.3	123	16.9	34.7	119	16.1	34.9	115	15.3	35.0	107	13.8	35.4	
45	50	139	18.5	35.2	131	16.9	35.5	123	16.8	35.8	119	16.0	35.9	115	15.2	36.0	107	13.7	36.3	
	60	139	18.1	33.5	131	17.3	34.2	123	17.0	34.9	119	16.2	35.2	115	15.4	35.5	107	13.9	36.1	
	96	139	17.9	35.4	131	17.1	36.0	123	16.8	36.6	119	16.0	36.8	115	15.2	37.1	107	13.8	37.6	
120	10	50	46.8	10.4	6.52	48.2	9.74	6.32	49.4	9.20	6.16	49.9	8.98	6.09	50.3	8.80	6.04	51.0	8.55	5.95
		60	56.8	10.9	6.35	57.7	10.5	6.24	58.3	10.2	6.17	58.6	10.1	6.14	58.8	10.1	6.12	59.1	10.1	6.10
		96	76.8	13.8	6.87	76.8	14.0	6.87	76.7	14.2	6.89	76.6	14.4	6.90	76.5	14.6	6.92	76.1	15.0	6.96
	15	50	80.5	14.3	8.68	80.4	14.6	8.71	80.2	14.9	8.76	80.0	15.1	8.79	79.8	15.3	8.83	79.3	15.8	8.93
		60	82.7	14.4	9.57	82.5	14.7	9.60	82.3	15.1	9.65	82.1	15.3	9.68	81.8	15.5	9.72	81.3	16.1	9.81
		96	88.4	14.8	11.3	88.1	15.1	11.4	87.6	15.6	11.4	87.4	15.8	11.4	87.1	16.1	11.5	86.4	16.7	11.5
	20	50	95.7	15.4	12.3	95.2	15.8	12.4	94.6	16.3	12.5	94.2	16.6	12.6	93.9	16.8	12.6	93.0	17.5	12.8
		60	96.4	15.4	13.6	95.8	15.8	13.6	95.2	16.3	13.7	94.9	16.6	13.8	94.5	16.9	13.8	93.6	17.6	13.9
		96	98.0	15.6	15.9	97.5	16.0	15.9	96.8	16.5	16.0	96.4	16.8	16.0	96.0	17.1	16.1	95.1	17.7	16.2
	25	50	105	16.2	16.5	104	16.7	16.6	104	17.3	16.7	103	17.5	16.8	103	17.9	16.9	98.8	17.3	17.2
		60	106	16.3	17.9	105	16.8	18.0	104	17.3	18.1	104	17.6	18.1	103	17.9	18.2	98.8	17.1	18.5
		96	108	16.4	20.5	107	16.9	20.5	106	17.5	20.6	106	17.8	20.6	105	18.1	20.7	98.8	16.6	20.9
30	50	115	17.1	20.7	114	17.6	20.8	113	18.2	21.0	110	17.6	21.2	106	16.7	21.5	98.8	15.0	22.0	
	60	115	17.2	22.2	114	17.7	22.3	113	18.3	22.4	110	17.4	22.6	106	16.5	22.9	98.8	14.8	23.3	
	96	117	17.4	25.0	116	17.9	25.1	113	17.8	25.2	110	16.9	25.4	106	16.1	25.5	98.8	14.4	25.8	
35	50	124	18.0	24.9	121	17.8	25.2	113	16.2	25.7	110	15.4	26.0	106	14.6	26.3	98.8	13.2	26.8	
	60	125	18.1	26.5	121	17.6	26.8	113	16.0	27.2	110	15.2	27.5	106	14.5	27.7	98.8	13.0	28.2	
	96	127	18.3	29.6	121	17.1	29.8	113	15.6	30.1	110	14.8	30.3	106	14.1	30.4	98.8	12.7	30.7	
40	50	128	18.4	30.7	121	17.0	30.9	113	15.4	31.1	110	14.7	31.2	106	14.0	31.3	98.8	12.6	31.6	
	60	128	17.2	29.4	121	17.1	30.1	113	15.6	30.7	110	14.9	30.9	106	14.1	31.2	98.8	12.8	31.8	
	96	128	17.0	31.2	121	17.0	31.7	113	15.4	32.2	110	14.7	32.4	106	14.0	32.7	98.8	12.6	33.1	
45	50	128	16.4	35.6	121	16.3	35.8	113	14.9	36.1	110	14.2	36.2	106	13.5	36.3	98.8	12.2	36.6	
	60	128	16.8	34.4	121	16.5	35.0	113	15.1	35.6	110	14.4	35.9	106	13.7	36.2	98.8	12.4	36.7	
	96	128	16.6	36.1	121	16.4	36.7	113	14.9	37.2	110	14.3	37.4	106	13.6	37.6	98.8	12.3	38.1	
110	10	50	48.8	9.47	6.24	49.8	9.03	6.11	50.5	8.71	6.00	50.8	8.60	5.96	51.1	8.51	5.93	51.5	8.44	5.89
		60	58.0	10.3	6.21	58.5	10.2	6.15	58.9	10.1	6.11	59.0	10.1	6.10	59.1	10.1	6.10	59.1	10.3	6.11
		96	76.8	14.1	6.88	76.7	14.3	6.90	76.4	14.7	6.93	76.2	14.9	6.95	76.0	15.2	6.97	75.4	15.7	7.03
	15	50	80.3	14.7	8.73	80.1	15.0	8.78	79.7	15.4	8.86	79.5	15.7	8.91	79.2	15.9	8.96	78.6	16.5	9.07
		60	82.4	14.9	9.62	82.1	15.2	9.67	81.7	15.7	9.74	81.4	15.9	9.78	81.1	16.2	9.83	80.4	16.8	9.93
		96	87.9	15.3	11.4	87.4	15.7	11.4	86.9	16.2	11.5	86.5	16.5	11.5	86.2	16.8	11.5	85.4	17.4	11.6
	20	50	94.9	16.0	12.5	94.3	16.5	12.6	93.6	17.0	12.7	93.2	17.3	12.7	92.8	17.6	12.8	90.6	17.7	13.0
		60	95.6	16.1	13.7	94.9	16.6	13.8	94.2	17.1	13.9	93.8	17.4	13.9	93.4	17.7	14.0	90.6	17.5	14.2
		96	97.2	16.2	16.0	96.5	16.7	16.0	95.8	17.3	16.1	95.3	17.6	16.1	94.9	17.9	16.2	90.6	17.0	16.3
	25	50	104	16.9	16.7	103	17.5	16.8	102	18.1	16.9	101	17.8	17.1	97.3	16.9	17.3	90.6	15.1	17.8
		60	105	17.0	18.0	104	17.5	18.1	103	18.1	18.2	101	17.6	18.4	97.3	16.7	18.6	90.6	15.0	19.0
		96	106	17.2	20.6	106	17.7	20.6	104	18.0	20.7	101	17.1	20.8	97.3	16.2	21.0	90.6	14.6	

4 Capacity tables

4 - 3 Heating capacity tables

RWEYQ30PY1										TC: Total Capacity: kW ; PI: Power Input: kW (compressor + outdoor fan motor) ; OWT: Outlet Water Temperatur: °C										
Combination (%)	Inlet Water Temp. (°C)	Water Volume L/min	Indoor air temperature: °CDB																	
			16.0			18.0			20.0			21.0			22.0			24.0		
			TC	PI	OWT	TC	PI	OWT	TC	PI	OWT	TC	PI	OWT	TC	PI	OWT	TC	PI	OWT
kW			kW			kW			kW			kW			kW			kW		
°C			°C			°C			°C			°C			°C			°C		
100	10	50	50.2	8.8	6.04	50.8	8.6	5.96	51.3	8.5	5.91	51.4	8.4	5.89	51.5	8.4	5.88	51.6	8.5	5.88
		60	58.8	10.1	6.12	59.0	10.1	6.10	59.1	10.2	6.10	59.1	10.3	6.11	59.1	10.3	6.12	58.9	10.6	6.16
		96	76.5	14.5	6.92	76.2	14.9	6.95	75.7	15.4	7.00	75.5	15.6	7.02	75.2	15.9	7.05	74.5	16.5	7.11
		120	80.1	15.4	7.43	79.6	15.9	7.46	79.1	16.4	7.50	78.8	16.7	7.53	78.5	16.9	7.55	77.8	17.6	7.60
	15	50	79.9	15.3	8.83	79.5	15.7	8.91	78.9	16.2	9.00	78.6	16.5	9.06	78.3	16.7	9.12	77.6	17.4	9.25
		60	81.9	15.5	9.71	81.4	15.9	9.78	80.9	16.4	9.87	80.5	16.7	9.92	80.2	17.0	10.0	79.4	17.6	10.1
		96	87.1	16.0	11.5	86.5	16.5	11.5	85.9	17.1	11.6	85.5	17.4	11.6	85.1	17.7	11.6	82.4	17.4	11.8
		120	89.0	16.2	12.1	88.3	16.7	12.2	87.6	17.3	12.2	87.2	17.6	12.2	86.8	17.9	12.3	82.4	16.8	12.4
	20	50	93.9	16.8	12.6	93.2	17.3	12.7	92.4	17.9	12.9	91.5	18.0	13.0	88.4	17.0	13.2	82.4	15.3	13.6
		60	94.5	16.9	13.8	93.8	17.4	13.9	93.0	18.0	14.0	91.5	17.8	14.1	88.4	16.8	14.3	82.4	15.1	14.6
		96	96.1	17.0	16.1	95.3	17.6	16.1	94.5	18.2	16.2	91.5	17.3	16.3	88.4	16.4	16.4	82.4	14.7	16.6
		120	96.6	17.1	16.8	95.8	17.6	16.9	94.5	18.0	17.0	91.5	17.1	17.0	88.4	16.2	17.1	82.4	14.6	17.3
25	50	103	17.8	16.9	101	17.8	17.1	94.5	16.1	17.5	91.5	15.4	17.7	88.4	14.6	17.9	82.4	13.1	18.4	
	60	103	17.9	18.2	101	17.6	18.4	94.5	16.0	18.7	91.5	15.2	18.9	88.4	14.4	19.1	82.4	13.0	19.5	
	96	105	18.1	20.7	101	17.1	20.8	94.5	15.5	21.1	91.5	14.8	21.2	88.4	14.1	21.3	82.4	12.7	21.5	
	120	106	18.1	21.5	101	16.9	21.7	94.5	15.4	21.9	91.5	14.7	21.9	88.4	13.9	22.0	82.4	12.5	22.2	
30	50	107	16.8	21.4	101	15.4	21.9	94.5	14.0	22.3	91.5	13.4	22.5	88.4	12.7	22.8	82.4	11.5	23.2	
	60	107	16.7	22.8	101	15.2	23.2	94.5	13.9	23.6	91.5	13.2	23.8	88.4	12.6	24.0	82.4	11.4	24.3	
	96	107	16.2	25.5	101	14.8	25.7	94.5	13.5	26.0	91.5	12.9	26.1	88.4	12.3	26.2	82.4	11.1	26.5	
	120	107	16.0	26.4	101	14.7	26.6	94.5	13.4	26.8	91.5	12.8	26.9	88.4	12.1	27.0	82.4	11.0	27.2	
35	50	107	14.7	26.2	101	13.5	26.7	94.5	12.3	27.2	91.5	11.8	27.4	88.4	11.2	27.6	82.4	10.2	28.1	
	60	107	14.6	27.7	101	13.4	28.1	94.5	12.2	28.4	91.5	11.7	28.6	88.4	11.1	28.8	82.4	10.1	29.2	
	96	107	14.2	30.4	101	13.0	30.6	94.5	11.9	30.9	91.5	11.4	31.0	88.4	10.8	31.1	82.4	9.82	31.4	
	120	107	14.1	31.3	101	12.9	31.5	94.5	11.8	31.7	91.5	11.3	31.8	88.4	10.7	31.9	82.4	9.74	32.1	
40	50	107	14.3	31.2	101	13.1	31.6	94.5	12.0	32.1	91.5	11.5	32.4	88.4	10.9	32.6	82.4	9.91	33.1	
	60	107	14.1	32.6	101	13.0	33.0	94.5	11.9	33.4	91.5	11.3	33.6	88.4	10.8	33.8	82.4	9.81	34.2	
	96	107	13.7	35.4	101	12.6	35.6	94.5	11.6	35.9	91.5	11.1	36.0	88.4	10.6	36.1	82.4	9.57	36.4	
	120	107	13.6	36.3	101	12.5	36.5	94.5	11.5	36.7	91.5	11.0	36.8	88.4	10.5	36.9	82.4	9.50	37.1	
45	50	107	13.8	36.1	101	12.7	36.6	94.5	11.7	37.1	91.5	11.2	37.3	88.4	10.7	37.6	82.4	9.66	38.1	
	60	107	13.7	37.6	101	12.6	38.0	94.5	11.6	38.4	91.5	11.1	38.6	88.4	10.6	38.8	82.4	9.57	39.2	
	96	107	13.3	40.4	101	12.3	40.6	94.5	11.3	40.9	91.5	10.8	41.0	88.4	10.3	41.1	82.4	9.33	41.4	
	120	107	13.2	41.3	101	12.2	41.5	94.5	11.2	41.7	91.5	10.7	41.8	88.4	10.2	41.9	82.4	9.26	42.1	
90	10	50	51.2	8.49	5.92	51.5	8.44	5.89	51.6	8.47	5.88	51.6	8.52	5.88	51.6	8.59	5.89	51.5	8.78	5.92
		60	59.1	10.1	6.10	59.1	10.3	6.11	59.0	10.5	6.14	58.9	10.6	6.16	58.7	10.8	6.18	58.4	11.1	6.24
		96	75.9	15.3	6.98	75.4	15.7	7.03	74.8	16.2	7.08	74.5	16.5	7.11	74.2	16.8	7.14	73.5	17.4	7.21
		120	79.3	16.2	7.49	78.7	16.7	7.53	78.1	17.3	7.58	77.8	17.6	7.60	77.4	17.9	7.63	74.1	17.2	7.73
	15	50	79.1	16.1	8.98	78.6	16.5	9.08	77.9	17.1	9.19	77.6	17.4	9.25	77.2	17.7	9.31	74.1	17.0	9.55
		60	81.0	16.3	9.85	80.4	16.8	9.93	79.8	17.4	10.0	79.4	17.6	10.1	79.0	18.0	10.1	74.1	16.4	10.4
		96	86.0	16.9	11.6	85.4	17.5	11.6	84.6	18.0	11.7	82.3	17.3	11.8	79.6	16.5	11.9	74.1	14.8	12.0
		120	87.8	17.2	12.2	87.1	17.7	12.2	85.1	17.6	12.3	82.3	16.7	12.4	79.6	15.9	12.5	74.1	14.3	12.6
	20	50	92.6	17.7	12.8	90.5	17.7	13.0	85.1	16.0	13.4	82.3	15.3	13.6	79.6	14.5	13.8	74.1	13.1	14.2
		60	93.2	17.8	14.0	90.5	17.5	14.2	85.1	15.9	14.5	82.3	15.1	14.6	79.6	14.4	14.8	74.1	12.9	15.1
		96	94.7	18.0	16.2	90.5	17.0	16.3	85.1	15.4	16.5	82.3	14.7	16.6	79.6	14.0	16.7	74.1	12.6	16.9
		120	95.2	18.1	16.9	90.5	16.8	17.1	85.1	15.3	17.2	82.3	14.6	17.3	79.6	13.8	17.4	74.1	12.5	17.5
25	50	96.0	16.5	17.4	90.5	15.1	17.8	85.1	13.8	18.2	82.3	13.1	18.4	79.6	12.5	18.6	74.1	11.3	19.0	
	60	96.0	16.4	18.7	90.5	15.0	19.0	85.1	13.6	19.3	82.3	13.0	19.5	79.6	12.4	19.6	74.1	11.2	20.0	
	96	96.0	15.9	21.0	90.5	14.6	21.2	85.1	13.3	21.4	82.3	12.6	21.5	79.6	12.0	21.6	74.1	10.9	21.9	
	120	96.0	15.8	21.8	90.5	14.4	22.0	85.1	13.2	22.1	82.3	12.5	22.2	79.6	11.9	22.3	74.1	10.8	22.5	
30	50	96.0	14.4	22.2	90.5	13.2	22.6	85.1	12.0	23.0	82.3	11.5	23.2	79.6	10.9	23.4	74.1	9.91	23.9	
	60	96.0	14.2	23.5	90.5	13.0	23.8	85.1	11.9	24.2	82.3	11.4	24.4	79.6	10.8	24.5	74.1	9.81	24.9	
	96	96.0	13.8	25.9	90.5	12.7	26.1	85.1	11.6	26.3	82.3	11.1	26.5	79.6	10.6	26.6	74.1	9.57	26.8	
	120	96.0	13.7	26.7	90.5	12.6	26.9	85.1	11.5	27.1	82.3	11.0	27.2	79.6	10.5	27.2	74.1	9.50	27.4	
35	50	96.0	12.6	27.0	90.5	11.6	27.5	85.1	10.6	27.9	82.3	10.2	28.1	79.6	9.70	28.3	74.1	8.82	28.8	
	60	96.0	12.5	28.4	90.5	11.5	28.7	85.1	10.5	29.1	82.3	10.1	29.2	79.6	9.61	29.4	74.1	8.74	29.8	
	96	96.0	12.2	30.8	90.5	11.2	31.1	85.1	10.3	31.3	82.3	9.81	31.4	79.6	9.37	31.5	74.1	8.53	31.7	
	120	96.0	12.1	31.7	90.5	11.1	31.8	85.1	10.2	32.0	82.3	9.73	32.1	79.6	9.30	32.2	74.1	8.47	32.4	
40	50	96.0	12.3	32.0	90.5	11.3	32.4	85.1	10.4	32.9	82.3	9.91	33.1	79.6	9.46	33.3	74.1	8.60	33.7	
	60	96.0	12.1	33.3	90.5	11.2	33.7	85.1	10.3	34.0	82.3	9.81	34.2	79.6	9.37	34.4	74.1	8.52	34.8	
	96	96.0	11.8	35.8	90.5	10.9	36.0	85.1	10.0	36.3	82.3	9.57	36.4	79.6	9.14	36.5	74.1	8.32	36.7	
	120	96.0	11.7	36.6	90.5	10.8	36.8	85.1	9.92	37.0	82.3	9.49	37.1	79.6	9.07	37.2	74.1	8.25	37.4	
45	50	96.0	11.9	37.0	90.5	11.0	37.4	85.1	10.1	37.8	82.3	9.66	38.1	79.6	9.22	38.3	74.1	8.39	38.7	
	60	96.0	11.8	38.3	90.5	10.9	38.7	85.1	10.0	39.0	82.3	9.56	39.2	79.6	9.13	39.4	74.1	8.31	39.8	
	96	96.0	11.5	40.8	90.5	10.6	41.0	85.1	9.75	41.3	82.3	9.33	41.4	79.6	8.91	41.5	74.1	8.11	41.7	
	120	96.0	11.5	41.6	90.5	10.5	41.8	85.1	9.67	42.0	82.3	9.25	42.1	79.6	8.84	42.2	74.1	8.05	42.4	
80	10	50	51.6	8.47	5.88	51.6	8.56	5.88	51.6	8.72	5.91	51.5	8.83	5.92	51.4	8.95	5.95	51.1	9.24	6.00

4 Capacity tables

4 - 3 Heating capacity tables

RWEYQ30PY1

TC: Total Capacity: kW ; PI: Power Input: kW (compressor + outdoor fan motor) ; OWT: Outlet Water Temperatur: °C

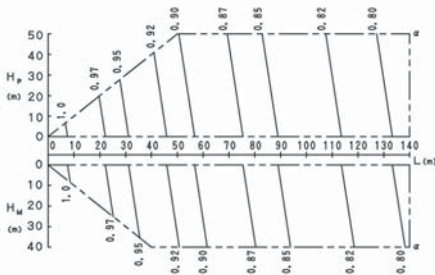
Combination (%)	Inlet Water Temp. (°C)	Water Volume L/min	Indoor air temperature: °CDB																	
			16.0			18.0			20.0			21.0			22.0			24.0		
			TC kW	PI kW	OWT °C	TC kW	PI kW	OWT °C	TC kW	PI kW	OWT °C	TC kW	PI kW	OWT °C	TC kW	PI kW	OWT °C	TC kW	PI kW	OWT °C
70	10	50	51.5	8.76	5.91	51.4	8.97	5.95	51.1	9.22	6.00	51.0	9.36	6.03	50.8	9.52	6.06	50.4	9.88	6.13
		60	58.4	11.1	6.23	58.1	11.4	6.28	57.7	11.8	6.35	57.4	12.0	6.38	57.2	12.2	6.42	56.6	12.7	6.50
		96	73.6	17.4	7.20	70.4	16.4	7.31	66.2	14.9	7.45	64.0	14.2	7.52	61.9	13.5	7.59	57.6	12.2	7.74
		120	74.7	17.3	7.72	70.4	15.8	7.83	66.2	14.4	7.94	64.0	13.7	8.00	61.9	13.1	8.06	57.6	11.8	8.17
	15	50	74.7	17.2	9.51	70.4	15.7	9.78	66.2	14.3	10.05	64.0	13.6	10.2	61.9	13.0	10.3	57.6	11.7	10.6
		60	74.7	16.5	10.4	70.4	15.1	10.6	66.2	13.8	10.8	64.0	13.1	10.9	61.9	12.5	11.1	57.6	11.3	11.3
		96	74.7	14.9	12.0	70.4	13.7	12.2	66.2	12.5	12.3	64.0	11.9	12.4	61.9	11.3	12.5	57.6	10.3	12.6
		120	74.7	14.4	12.6	70.4	13.2	12.7	66.2	12.1	12.8	64.0	11.5	12.9	61.9	11.0	13.0	57.6	10.0	13.1
	20	50	74.7	13.2	14.1	70.4	12.1	14.4	66.2	11.1	14.7	64.0	10.6	14.9	61.9	10.1	15.1	57.6	9.17	15.4
		60	74.7	13.1	15.1	70.4	12.0	15.3	66.2	11.0	15.6	64.0	10.5	15.7	61.9	10.0	15.9	57.6	9.08	16.1
		96	74.7	12.7	16.9	70.4	11.7	17.1	66.2	10.7	17.2	64.0	10.2	17.3	61.9	9.75	17.4	57.6	8.86	17.6
		120	74.7	12.6	17.5	70.4	11.6	17.7	66.2	10.6	17.8	64.0	10.1	17.9	61.9	9.67	17.9	57.6	8.79	18.1
25	50	74.7	11.4	19.0	70.4	10.5	19.3	66.2	9.64	19.6	64.0	9.22	19.8	61.9	8.82	19.9	57.6	8.04	20.3	
	60	74.7	11.3	20.0	70.4	10.4	20.2	66.2	9.54	20.5	64.0	9.13	20.6	61.9	8.73	20.8	57.6	7.96	21.0	
	96	74.7	11.0	21.8	70.4	10.1	22.0	66.2	9.31	22.2	64.0	8.91	22.3	61.9	8.53	22.3	57.6	7.78	22.5	
	120	74.7	10.9	22.5	70.4	10.1	22.6	66.2	9.24	22.7	64.0	8.84	22.8	61.9	8.46	22.9	57.6	7.72	23.0	
30	50	74.7	10.0	23.8	70.4	9.24	24.2	66.2	8.51	24.5	64.0	8.16	24.7	61.9	7.82	24.8	57.6	7.15	25.2	
	60	74.7	9.91	24.8	70.4	9.15	25.1	66.2	8.43	25.4	64.0	8.08	25.5	61.9	7.74	25.7	57.6	7.09	26.0	
	96	74.7	9.66	26.8	70.4	8.93	26.9	66.2	8.24	27.1	64.0	7.90	27.2	61.9	7.57	27.3	57.6	6.93	27.5	
	120	74.7	9.59	27.4	70.4	8.86	27.6	66.2	8.17	27.7	64.0	7.84	27.8	61.9	7.51	27.8	57.6	6.88	28.0	
35	50	74.7	8.90	28.7	70.4	8.25	29.1	66.2	7.62	29.4	64.0	7.32	29.6	61.9	7.02	29.8	57.6	6.45	30.1	
	60	74.7	8.82	29.8	70.4	8.17	30.0	66.2	7.55	30.3	64.0	7.25	30.5	61.9	6.96	30.6	57.6	6.40	30.9	
	96	74.7	8.61	31.7	70.4	7.98	31.9	66.2	7.38	32.1	64.0	7.09	32.2	61.9	6.81	32.3	57.6	6.26	32.4	
	120	74.7	8.55	32.4	70.4	7.92	32.5	66.2	7.33	32.7	64.0	7.04	32.7	61.9	6.76	32.8	57.6	6.22	33.0	
40	50	74.7	8.68	33.7	70.4	8.04	34.0	66.2	7.43	34.4	64.0	7.13	34.6	61.9	6.85	34.7	57.6	6.29	35.1	
	60	74.7	8.60	34.7	70.4	7.97	35.0	66.2	7.36	35.3	64.0	7.07	35.5	61.9	6.79	35.6	57.6	6.24	35.9	
	96	74.7	8.40	36.7	70.4	7.78	36.9	66.2	7.20	37.1	64.0	6.92	37.2	61.9	6.64	37.3	57.6	6.10	37.4	
	120	74.7	8.33	37.4	70.4	7.73	37.5	66.2	7.15	37.7	64.0	6.87	37.7	61.9	6.59	37.8	57.6	6.06	37.9	
45	50	74.7	8.47	38.7	70.4	7.84	39.0	66.2	7.24	39.4	64.0	6.96	39.5	61.9	6.67	39.7	57.6	6.13	40.1	
	60	74.7	8.39	39.7	70.4	7.77	40.0	66.2	7.18	40.3	64.0	6.89	40.5	61.9	6.62	40.6	57.6	6.08	40.9	
	96	74.7	8.19	41.7	70.4	7.59	41.9	66.2	7.02	42.1	64.0	6.74	42.2	61.9	6.47	42.2	57.6	5.95	42.4	
	120	74.7	8.12	42.4	70.4	7.53	42.5	66.2	6.97	42.6	64.0	6.69	42.7	61.9	6.43	42.8	57.6	5.91	42.9	
60	10	50	51.0	9.37	6.03	50.6	9.65	6.08	50.3	10.0	6.15	50.0	10.1	6.19	49.8	10.3	6.22	49.3	10.7	6.31
		60	57.4	12.0	6.38	57.0	12.4	6.45	56.5	12.8	6.52	54.9	12.3	6.61	53.1	11.6	6.70	49.4	10.4	6.90
		96	64.0	14.2	7.52	60.3	13.0	7.64	56.7	11.9	7.77	54.9	11.3	7.83	53.1	10.8	7.90	49.4	9.77	8.03
		120	64.0	13.7	8.00	60.3	12.6	8.10	56.7	11.5	8.20	54.9	11.0	8.25	53.1	10.5	8.31	49.4	9.51	8.41
	15	50	64.0	13.6	10.2	60.3	12.5	10.4	56.7	11.4	10.7	54.9	10.91	10.8	53.1	10.41	10.9	49.4	9.44	11.2
		60	64.0	13.1	10.9	60.3	12.0	11.2	56.7	11.0	11.4	54.9	10.52	11.5	53.1	10.04	11.6	49.4	9.11	11.8
		96	64.0	11.9	12.4	60.3	10.9	12.5	56.7	10.0	12.7	54.9	9.59	12.7	53.1	9.17	12.8	49.4	8.34	13.0
		120	64.0	11.5	12.9	60.3	10.6	13.0	56.7	9.73	13.1	54.9	9.31	13.2	53.1	8.90	13.2	49.4	8.11	13.4
	20	50	64.0	10.6	14.9	60.3	9.75	15.2	56.7	8.97	15.4	54.9	8.59	15.6	53.1	8.22	15.7	49.4	7.51	16.0
		60	64.0	10.5	15.7	60.3	9.66	16.0	56.7	8.88	16.2	54.9	8.51	16.3	53.1	8.14	16.4	49.4	7.44	16.7
		96	64.0	10.2	17.3	60.3	9.42	17.5	56.7	8.67	17.6	54.9	8.31	17.7	53.1	7.95	17.8	49.4	7.27	17.9
		120	64.0	10.1	17.9	60.3	9.35	18.0	56.7	8.60	18.1	54.9	8.24	18.1	53.1	7.89	18.2	49.4	7.22	18.3
25	50	64.0	9.21	19.8	60.3	8.53	20.0	56.7	7.87	20.3	54.9	7.55	20.5	53.1	7.24	20.6	49.4	6.64	20.9	
	60	64.0	9.13	20.6	60.3	8.45	20.9	56.7	7.80	21.1	54.9	7.48	21.2	53.1	7.18	21.3	49.4	6.58	21.6	
	96	64.0	8.91	22.3	60.3	8.25	22.4	56.7	7.62	22.6	54.9	7.31	22.6	53.1	7.02	22.7	49.4	6.44	22.9	
	120	64.0	8.84	22.8	60.3	8.18	22.9	56.7	7.56	23.0	54.9	7.26	23.1	53.1	6.97	23.2	49.4	6.40	23.3	
30	50	64.0	8.15	24.7	60.3	7.57	25.0	56.7	7.01	25.3	54.9	6.74	25.4	53.1	6.47	25.5	49.4	5.96	25.8	
	60	64.0	8.08	25.5	60.3	7.50	25.8	56.7	6.95	26.0	54.9	6.68	26.2	53.1	6.42	26.3	49.4	5.91	26.5	
	96	64.0	7.89	27.2	60.3	7.33	27.4	56.7	6.80	27.5	54.9	6.54	27.6	53.1	6.28	27.7	49.4	5.79	27.8	
	120	64.0	7.83	27.8	60.3	7.28	27.9	56.7	6.75	28.0	54.9	6.49	28.1	53.1	6.24	28.1	49.4	5.76	28.3	
35	50	64.0	7.31	29.6	60.3	6.81	29.9	56.7	6.33	30.2	54.9	6.09	30.3	53.1	5.86	30.5	49.4	5.42	30.8	
	60	64.0	7.25	30.5	60.3	6.75	30.7	56.7	6.27	31.0	54.9	6.04	31.1	53.1	5.82	31.2	49.4	5.38	31.5	
	96	64.0	7.09	32.2	60.3	6.61	32.3	56.7	6.14	32.5	54.9	5.92	32.6	53.1	5.70	32.6	49.4	5.28	32.8	
	120	64.0	7.04	32.7	60.3	6.56	32.9	56.7	6.10	33.0	54.9	5.88	33.1	53.1	5.66	33.1	49.4	5.24	33.2	
40	50	64.0	7.13	34.6	60.3	6.64	34.9	56.7	6.17	35.2	54.9	5.94	35.3	53.1	5.72	35.5	49.4	5.29	35.8	
	60	64.0	7.07	35.5	60.3	6.58	35.7	56.7	6.12	36.0	54.9	5.89	36.1	53.1	5.67	36.2	49.4	5.25	36.5	
	96	64.0	6.91	37.2	60.3	6.44	37.3	56.7	5.99	37.5	54.9	5.77	37.6	53.1	5.56	37.6	49.4	5.15	37.8	
	120	64.0	6.86	37.7	60.3	6.														

4 Capacity tables

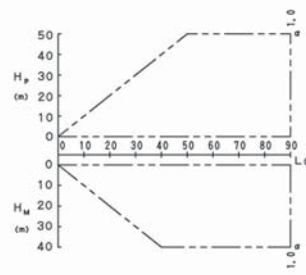
4 - 4 Capacity correction factor

RWEYQ8P

• Correction ratio for cooling capacity



• Correction ratio for heating capacity



3D062332

NOTES

1 These figures illustrate the rate of change in capacity for a standard indoor unit system at maximum load (with the thermostat set to maximum) under standard conditions. Moreover, under partial load conditions, there is only a minor deviation from the rate of change in capacity shown in the above figures.

2 With this outdoor unit, evaporating pressure constant control when cooling and condensing pressure constant control when heating is carried out.

3 Method of calculating A/C (cooling/heating) capacity:

The maximum A/C capacity of the system will be either the total A/C capacity of the indoor units obtained from capacity characteristic table or the maximum A/C capacity of the outside units as mentioned below, whichever smaller.

Calculating A/C capacity of outside units

• Condition: Indoor unit combination ratio does not exceed 100%

Maximum A/C capacity of outside units = A/C capacity of outside units obtained from capacity characteristic table at the 100% combination x capacity change rate due to piping length to the farthest indoor unit.

• Condition: Indoor unit combination ratio exceeds 100%

Maximum A/C capacity of outside units = A/C capacity of outside units obtained from capacity characteristic table at the combination x capacity change rate due to piping length to the farthest indoor unit.

4 When overall equivalent pipe length is 80m or more, the diameter of the main liquid pipes (outside unit-branch sections) must be increased. Diameter of above case

Model	liquid pipe
RWEYQ8PY1	ø12.7

5 Read cooling/heating capacity rate of change in the above figures based on the following equivalent length.

Overall equivalent piping length = Equivalent length of main pipe x Correction factor + Equivalent length after branching

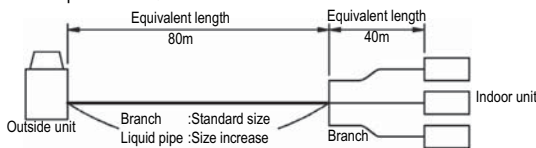
Choose a correction factor from the following table.

When cooling capacity is calculated: gas pipe size

When heating capacity is calculated: liquid pipe size.

Rate of change (object piping)	Correction factor	
	Standard size	Size increase
Cooling (gas pipe)	1.0	
Heating (liquid pipe)	1.0	0.5

Example RWEYQ8PY1



In the above case

(Cooling) Overall equivalent length = 80m x 1.0 + 40m x 1.0 = 120m

(Heating) Overall equivalent length = 80m x 0.5 + 40m x 1.0 = 80m

The correction factor in:

cooling capacity when height difference = 0 is thus approximately 0.78

heating capacity when height difference = 0 is thus approximately 1.0

6 Explanation of symbols

H_p: Level difference (m) between indoor and outside units where indoor unit in inferior position

H_M: Level difference (m) between indoor and outside units where indoor unit in superior position

L: Equivalent pipe length (m)

α: Capacity correction factor

Diameter of pipe

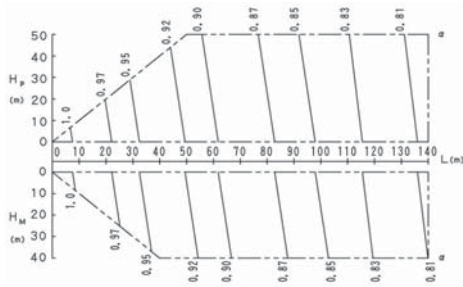
Model	liquid
RWEYQ8PY1	ø9.5

4 Capacity tables

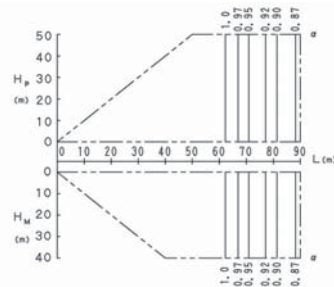
4 - 4 Capacity correction factor

RWEYQ10,20P

• Correction ratio for cooling capacity



• Correction ratio for heating capacity



3D048283C

NOTES

- These figures illustrate the rate of change in capacity for a standard indoor unit system at maximum load (with the thermostat set to maximum) under standard conditions. Moreover, under partial load conditions, there is only a minor deviation from the rate of change in capacity shown in the above figures.
- With this outdoor unit, evaporating pressure constant control when cooling and condensing pressure constant control when heating is carried out.
- Method of calculating A/C (cooling/heating) capacity:
The maximum A/C capacity of the system will be either the total A/C capacity of the indoor units obtained from capacity characteristic table or the maximum A/C capacity of the outside units as mentioned below, whichever smaller.

Calculating A/C capacity of outside units

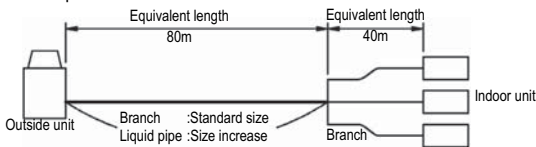
- Condition: Indoor unit combination ratio does not exceed 100%
Maximum A/C capacity of outside units = A/C capacity of outside units obtained from capacity characteristic table at the 100% combination x capacity change rate due to piping length to the farthest indoor unit.
 - Condition: Indoor unit combination ratio exceeds 100%
Maximum A/C capacity of outside units = A/C capacity of outside units obtained from capacity characteristic table at the combination x capacity change rate due to piping length to the farthest indoor unit.
- When overall equivalent pipe length is 80m or more, the diameter of the main liquid pipes (outside unit-branch sections) must be increased.
Diameter of above case

Model	liquid pipe
RWEYQ10PY1	ø12.7
RWEYQ20PY1	ø19.1

- Read cooling/heating capacity rate of change in the above figures based on the following equivalent length.
Overall equivalent piping length = Equivalent length of main pipe x Correction factor + Equivalent length after branching
Choose a correction factor from the following table.
When cooling capacity is calculated: gas pipe size
When heating capacity is calculated: liquid pipe size.

Rate of change (object piping)	Correction factor	
	Standard size	Size increase
Cooling (gas pipe)	1.0	-
Heating (liquid pipe)	1.0	0.5

Example RWEYQ8PY1



In the above case
 (Cooling) Overall equivalent length = 80m x 1.0 + 40m x 1.0 = 120m
 (Heating) Overall equivalent length = 80m x 0.5 + 40m x 1.0 = 80m
 The correction factor in:
 cooling capacity when height difference = 0 is thus approximately 0.78
 heating capacity when height difference = 0 is thus approximately 1.0

- Explanation of symbols
 H_p: Level difference (m) between indoor and outside units where indoor unit in inferior position
 H_M: Level difference (m) between indoor and outside units where indoor unit in superior position
 L: Equivalent pipe length (m)
 α: Capacity correction factor

Diameter of pipe

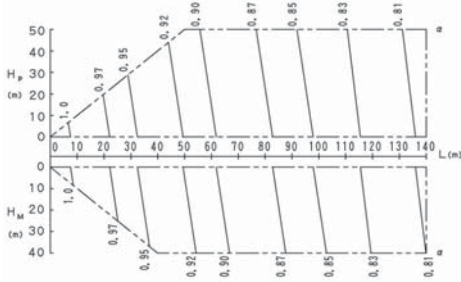
Model	liquid
RWEYQ10PY1	ø9.5
RWEYQ20PY1	ø15.9

4 Capacity tables

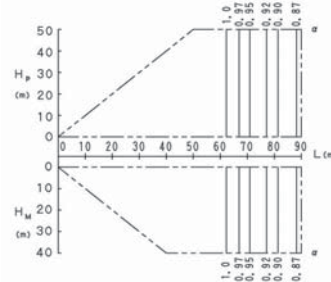
4 - 4 Capacity correction factor

RWEYQ16,18,24,26,28,30P

• Correction ratio for cooling capacity



• Correction ratio for heating capacity



3D048284C

NOTES

1 These figures illustrate the rate of change in capacity for a standard indoor unit system at maximum load (with the thermostat set to maximum) under standard conditions. Moreover, under partial load conditions, there is only a minor deviation from the rate of change in capacity shown in the above figures.

2 With this outdoor unit, evaporating pressure constant control when cooling and condensing pressure constant control when heating is carried out.

3 Method of calculating A/C (cooling/heating) capacity:

The maximum A/C capacity of the system will be either the total A/C capacity of the indoor units obtained from capacity characteristic table or the maximum A/C capacity of the outside units as mentioned below, whichever smaller.

Calculating A/C capacity of outside units

• Condition: Indoor unit combination ratio does not exceed 100%

Maximum A/C capacity of outside units = A/C capacity of outside units obtained from capacity characteristic table at the 100% combination x capacity change rate due to piping length to the farthest indoor unit.

• Condition: Indoor unit combination ratio exceeds 100%

Maximum A/C capacity of outside units = A/C capacity of outside units obtained from capacity characteristic table at the combination x capacity change rate due to piping length to the farthest indoor unit.

4 When overall equivalent pipe length is 80m or more, the diameter of the main liquid pipes (outside unit-branch sections) must be increased.
Diameter of above case

Model	liquid pipe
RWEYQ16PY1	ø15.9
RWEYQ18,24PY1	ø19.1
RWEYQ26,28,30PY1	ø22.2

5 Read cooling/heating capacity rate of change in the above figures based on the following equivalent length.

Overall equivalent piping length = Equivalent length of main pipe x Correction factor + Equivalent length after branching

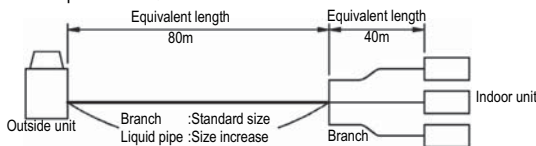
Choose a correction factor from the following table.

When cooling capacity is calculated: gas pipe size

When heating capacity is calculated: liquid pipe size.

Rate of change (object piping)	Correction factor	
	Standard size	Size increase
Cooling (gas pipe)	1.0	-
Heating (liquid pipe)	1.0	0.5

Example RWEYQ8PY1



In the above case

(Cooling) Overall equivalent length = 80m x 1.0 + 40m x 1.0 = 120m

(Heating) Overall equivalent length = 80m x 0.5 + 40m x 1.0 = 80m

The correction factor in:

cooling capacity when height difference = 0 is thus approximately 0.78

heating capacity when height difference = 0 is thus approximately 1.0

6 Explanation of symbols

H_p: Level difference (m) between indoor and outside units where indoor unit in inferior position

H_M: Level difference (m) between indoor and outside units where indoor unit in superior position

L: Equivalent pipe length (m)

α: Capacity correction factor

Diameter of pipe

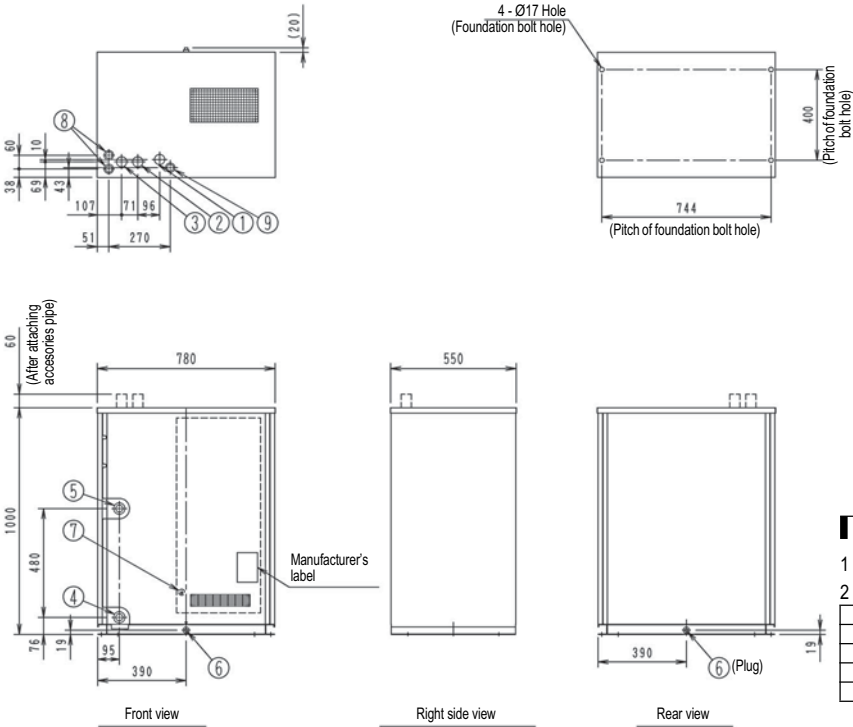
Model	liquid
RWEYQ16PY1	ø12.7
RWEYQ18,24PY1	ø15.9
RWEYQ26,28,30PY1	ø19.1

5 Dimensional drawing & centre of gravity

5 - 1 Dimensional drawing

1
5

RWEYQ8-10P



Nr	Name	Description
1	Liquid pipe	see note 2
2	Suction gas pipe connection	see note 2
3	HP/LP gas pipe	see note 2
4	Water inlet	PT 1 ¹ / ₄ B internal thread
5	Water outlet	PT 1 ¹ / ₄ B internal thread
6	Drain outlet	PS 1 ¹ / ₂ B internal thread
7	Earth terminal	M5
8	Power cord through hole	Ø29
9	Wiring through hole	Ø29

NOTE

- 1 Earth terminal is in the switch box.
- 2 Piping size is as follows.

Model name	RWEYQ8PY1		RWEYQ10PY1	
Operation system	Heat pump	Heat recovery	Heat pump	Heat recovery
Liquid pipe	Ø9.5	Ø9.5	Ø9.5	Ø9.5
Suction gas pipe	Ø19.1	Ø19.1	Ø22.2	Ø22.2
HP/LP gas pipe	Ø19.1	Ø15.9	Ø22.2	Ø19.1

*connection method Liquid Pipe: flare connection

Suction gas pipe } : brazing connection
HP/LP gas pipe }

*In the case of heat pump system, suction gas pipe is not used

3D062150

5 Dimensional drawing & centre of gravity

5 - 2 Centre of gravity

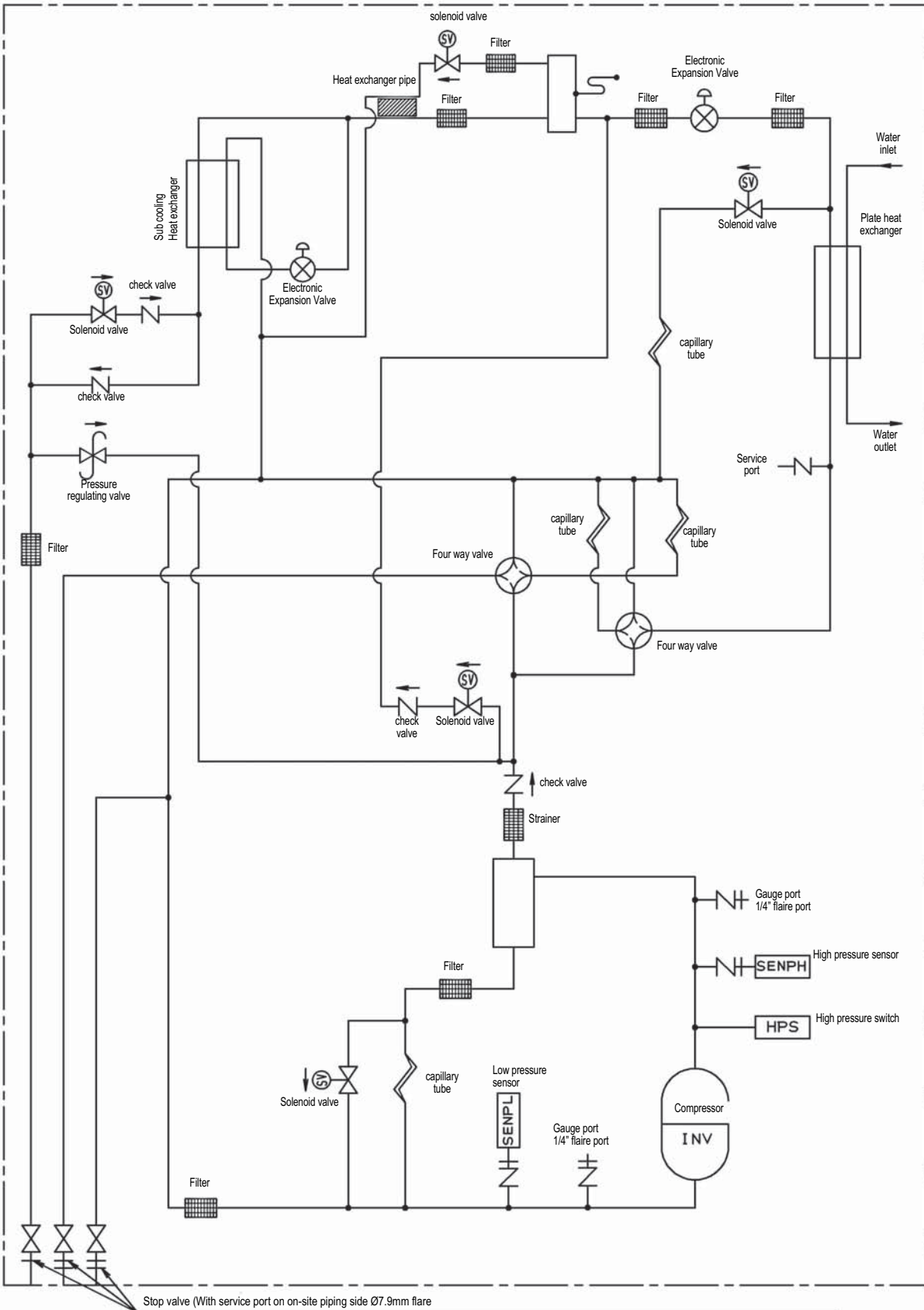


6 Piping diagram

1

6

RWEYQ8-10P



4D048290C

7 Wiring diagram

7 - 1 Wiring diagram

RWEYQ8-10P

power supply
3N-380-415V 50Hz

Colors
 BLK : Black
 RED : Red
 BLU : Blue
 WHT : White
 PNK : Pink
 GRY : Gray
 ORG : Orange

Detail of M1C

Legend:
 [Symbol] : Field wiring
 [Symbol] : Connector
 [Symbol] : Terminal strip
 [Symbol] : Terminal
 [Symbol] : Protective earth (screw)

NOTES

- 1 This wiring diagram is applied only to the outdoor unit.
- 2 When using the optional adapter, refer to the installation manual.
- 3 Refer to the installation manual, for connection wiring to indoor-outdoor transmission F1-F2, outdoor-outdoor transmission F1-F2, outdoor-multi transmission Q1-Q2
- 4 Refer to 'service precaution' label (on el.compo.box cover), how to use BS1-BS5 and DS1 switch.
- 5 When operating, don't shortcircuit the protection device (S1PH).
- 6 Be sure to connect an interlock circuit between the terminal (3)-(4) of terminal strip (X3M)
- 7 Install a heat source water pump operation circuit between the terminal (1)-(2) of terminal strip (X2M), when interlocking a heat source water pump and system operation.
- 8 Cool/heat selector cannot be connected when operating heat recovery system.

A1P	Printed circuit board (Main)	K5R	Magnetic relay (Y3S)(A1P)	R2T	Thermistor (Suction)	X4M	Terminal strip (M1C)
A2P	Printed circuit board (INV)	K6R	Magnetic relay (Y4S)(A1P)	R31T	Thermistor (M1C discharge)	Y1E	Electronic expansion valve (main)
A3P	Printed circuit board (Noise filter)	K7R	Magnetic relay (M1F,M2F)(A1P)	R4T	Thermistor (hex gas pipe)	Y3E	Electronic expansion valve (Sub cool)
BS1-5	Push button switch (Mode, set, return, test, reset)	K8R	Magnetic relay (Y6S)(A1P)	R5T	Thermistor (sub cooling hex)	Y1S	Solenoid valve (hot gas bypass)
C63,C66	Capacitor	K9R	Magnetic relay (Y2S)(A1P)	R6T	Thermistor (Receiver liq. pipe)	Y2S	Solenoid valve (oil recovery)
DS1	Dip switch	K10R	Magnetic relay (operation output) (A1P)	S1NPH	Pressure sensor (High)	Y3S	Solenoid valve (receiver pressurization)
E1HC	Crankcase heater	K11R	Magnetic relay (Y5S)(A1P)	S1NPL	Pressure sensor (Low)	Y4S	Solenoid valve (receiver gas purge)
F1U	Fuse (250V, 5A, B)(A3P)	K12R	Magnetic relay (Y27S)(A1P)	S1PH	Pressure switch (High)	Y6S	Solenoid valve (4 way valve) (main)
F1U, F2U	Fuse (250V, 10A, B)(A1P)	K13R	Magnetic relay (E1HC)(A1P)	T1R	Transformer (220-240V/20V)	Y6S	Solenoid valve (liquid pipe)
H1P-8P	Pilotlamp (service monitor-green) [H2P] prepare, test flickering malfunction detectionlight up	L1R	Reactor (A2P)	V1CP	Safety devices input	Y7S	Solenoid valve (4 way valve) (heat exchanger)
HAP	Pilotlamp (service monitor green) (A1P)	M1C	Motor (compressor)	V1R	Diode bridge (A2P)	Z1C	Noise filter (ferrite core)
K1M	Magnetic contactor (M1C)(A2P)	M1F,M2F	Motor (fan, inverter cooling)	V2R	Power module (A2P)	Z1F	Noise filter (with surge absorber)
K1R	Magnetic relay (A2P)	PS	Switching power supply	X1A,X2A	Connector (Y1E, Y3E)		
K3R	Magnetic relay (Y1S)(A1P)	Q1RP	Phase reversal detect circuit (A1P)	X1M	Terminal strip (power supply)		
		R50,R59	Resistor	X1M	Terminal strip (Control)(A1P)		COOL/HEAT SELECTOR
		R95	Resistor (current limiting)	X2M	Terminal strip (operation output)		S1S Selector switch (fan/cool - heat)
		R1T	Thermistor (Fin)(A2P)	X3M	Terminal strip (interlock)		S2S Selector switch (cool/heat)

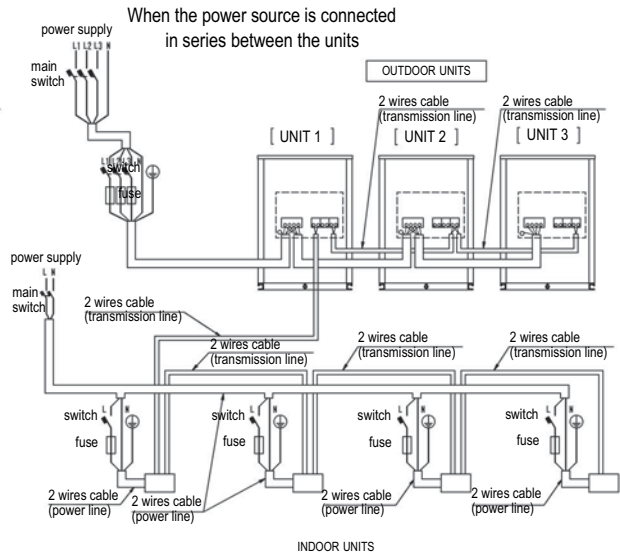
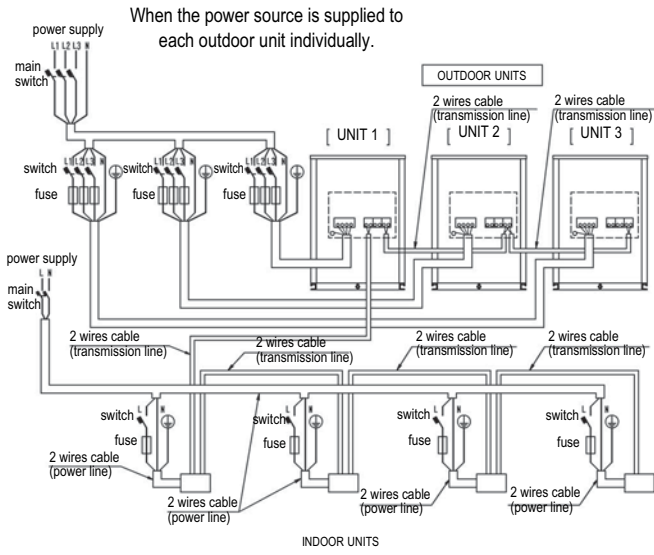
3D061377B

7 Wiring diagram

7 - 2 External connection diagram

1
7

RWEYQ-P-[HEAT PUMP]



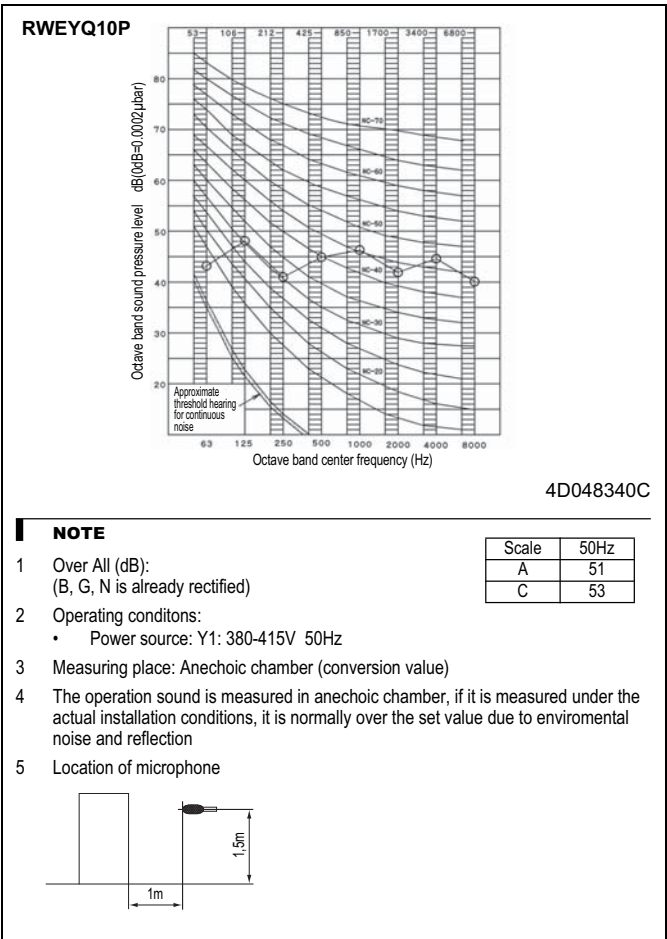
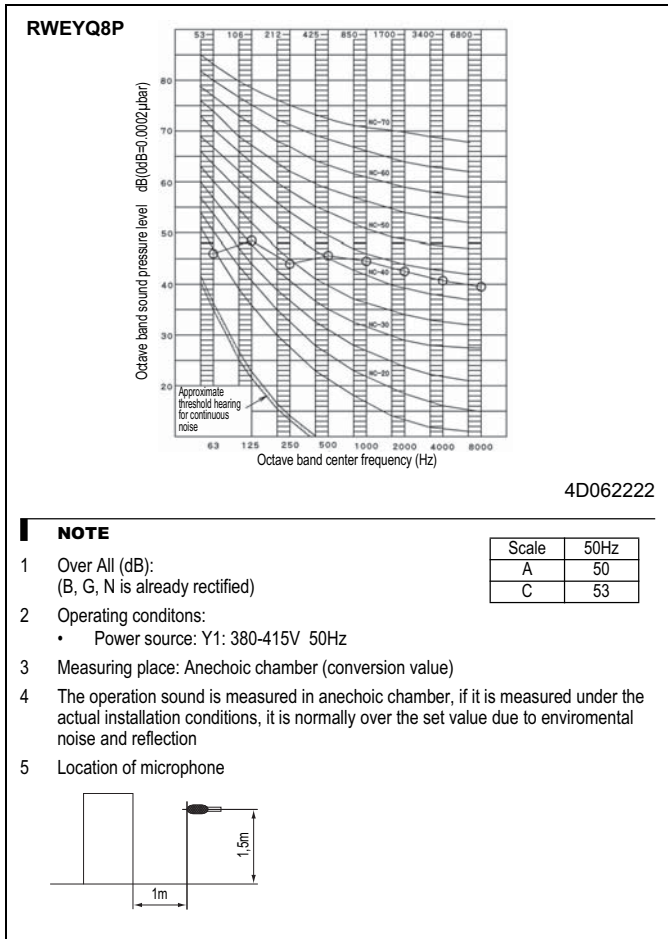
NOTES

- 1 All wiring, components and materials to be procured on the site must comply with the applicable local and national codes
- 2 Use copper conductors only.
- 3 As for details, see wiring diagram.
- 4 Install circuit breaker for safety.
- 5 All field wiring and components must be provided by licensed electrician.
- 6 Unit shall be grounded in compliance with the applicable local and national codes
- 7 Wiring shown are general points-of-connection guides only and are not intended for or to include all details for a specific installation.
- 8 Be sure to install the switch and the fuse to the power line of each equipment.
- 9 Install the main switch that can interrupt all the power sources in an integrated manner because this system consists of the equipment utilizing the multiple power sources.
- 10 If there exists the possibility of reversed phase, lose phase, momentary blackout or the power goes on and off while the product is operating, attach a reversed phase protection circuit locally. Running the product in reversed phase may break the compressor and other parts.

3D048824D

8 Sound data

8 - 1 Sound pressure spectrum

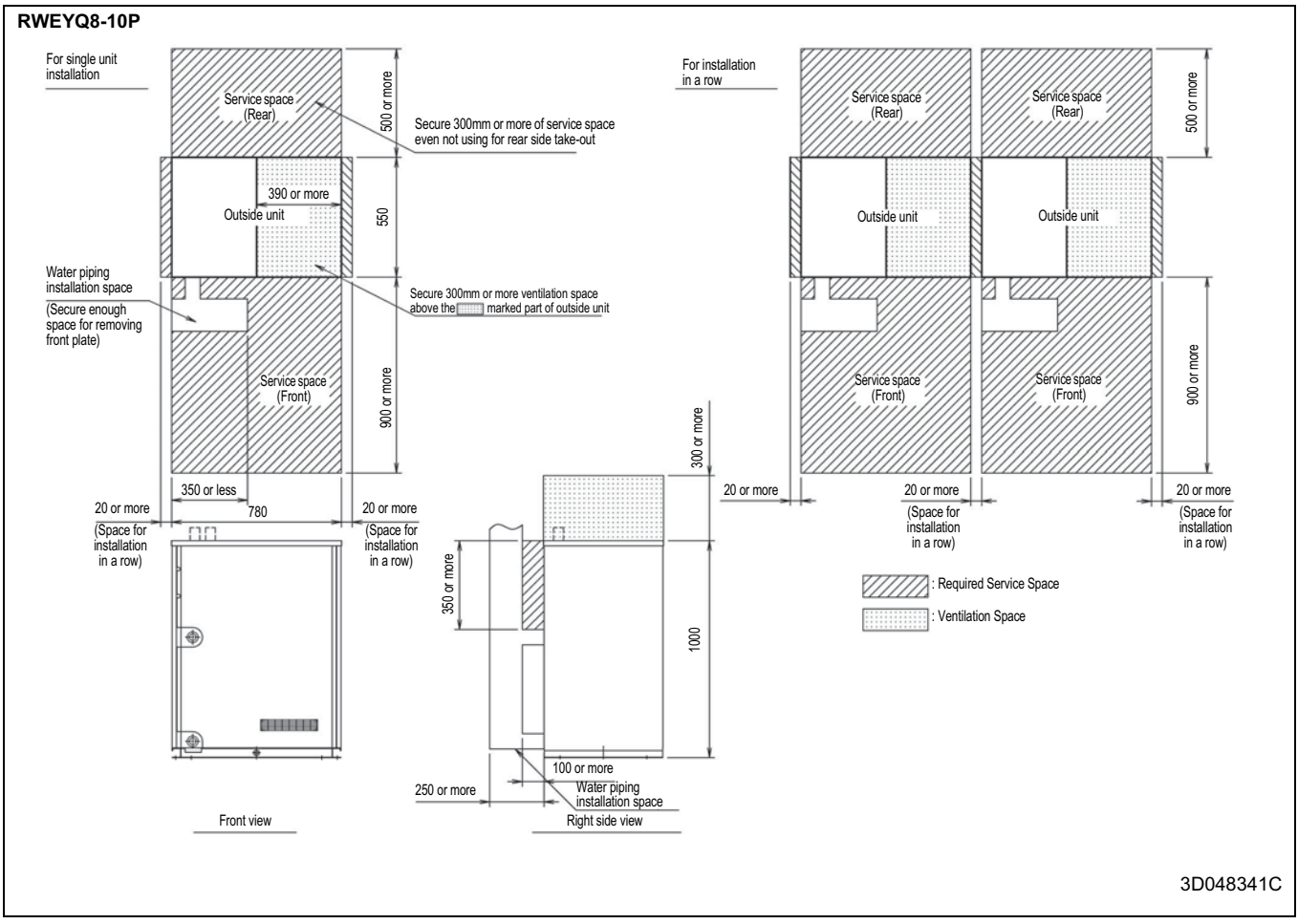


9 Installation

9 - 1 Service space

1

9



9 Installation

9 - 2 Refrigerant pipe selection

RWEYQ-P

Example of connection

(Connection of 8 indoor units heat pump system)

• Piping between outside unit and BS unit
 — (Thick line): 3-piping (HP/LP gas piping, HP/LP liquid piping)
 — (Thin line): 2-piping (Gas piping, Liquid piping)

[*] In case of multi outside unit system, re-read the outside unit as the first outside branch seen from the indoor unit side.

Branch with REFNET joint

Example 1: Single outside unit system
 Example 2: Branch with REFNET joint and REFNET header
 Example 3: Branch with REFNET header
 Example 4: Multi outside unit system
 Example 5: Branch with REFNET joint and REFNET header
 Example 6: Branch with REFNET header

Refrigerant branch kit selection

Refrigerant branch kits can only be used with R410A.

Indoor capacity index	Heat recovery system	Refrigerant branch kit name
< 200	RWEYQ8-10 type	KHRP25A33T
200 ≤ x < 290	RWEYQ16-20 type	KHRP25A72T + KHRP25M73TP
290 ≤ x < 640	RWEYQ24-30 type	KHRP25A73T + KHRP25M73TP

• For REFNET joints other than the first branch, select the proper branch kit model based on the total capacity index.

Indoor capacity index	In case of 3-tube piping	In case of 2-tube piping
< 200	KHRP25A22T	KHRP25M33H
200 ≤ x < 290	KHRP25A33T	KHRP25M33H
290 ≤ x < 640	KHRP25A72T + KHRP25M73TP	KHRP25M72H
640 ≤	KHRP25A73T + KHRP25M73TP	KHRP25M73H + KHRP25M73HP

How to select REFNET joint:
 • At the first branch counted from the outside unit side.
 • Choose from the following table in accordance with the capacity of the outside unit.
 (Example 1, 2, 4, 5: REFNET joint)

Pipe size selection

Example of downstream indoor units

⚠ Caution
 The thickness of the pipes in this table shows the requirements of Japanese High Pressure Gas Control Law. (As of Jan. 2003)
 The thickness and material shall be selected in accordance with local code.

For a multi outside unit system, make the settings in accordance with the following figure.

Piping between outside unit (A) and refrigerant branch kit (part A)
 Piping between outside branches (part B)
 Piping between outside branch and outside unit (part C)

How to calculate the additional refrigerant to be charged

Additional refrigerant to be charged R (kg)
 (R should be rounded off in units of 0.1kg.)

R = (Total length (m) of liquid piping size at φ22.2) × 0.37 (kg/m) + (Total length (m) of liquid piping size at φ15.9) × 0.26 (kg/m) + (Total length (m) of liquid piping size at φ12.7) × 0.12 (kg/m) + (Total length (m) of liquid piping size at φ9.5) × 0.05 (kg/m) + (Total length (m) of suction piping size at φ6.4) × 0.02 (kg/m) + (Total length (m) of suction piping size at φ4.5) × 0.01 (kg/m)

Indoor capacity index

Indoor capacity index	In case of 3-tube piping	In case of 2-tube piping
< 200	KHRP25M33H	KHRP25M33H
200 ≤ x < 290	KHRP25M72H + KHRP25M73TP	KHRP25M72H
290 ≤ x < 640	KHRP25M73H + KHRP25M73HP	KHRP25M73H + KHRP25M73HP

How to select outside branch kit (Needed when the outside unit type is RWEYQ20 or more):
 • Select from the table below according to the number of outside units.

Number of units of outside unit	Heat recovery system	Heat pump system
2 unit	BHPF22MA56	BHPF22MA56
3 unit	BHPF22MA64	BHPF22MA64

(Example 3, 6) In case of REFNET Header, indoor units of [1] + [2] + [3] + [4] + [5] + [6] + [7] + [8]

Piping between BS unit (refrigerant branch kit) and indoor unit
 • Match to the size of the connection piping on the indoor unit.
 Indoor unit connection piping size

Piping size (outer diameter × minimum wall thickness)

Indoor capacity index	Suction gas pipe	HP/LP gas pipe	HP/LP liquid pipe	Liquid pipe
< 150	φ15.9 × 0.99	φ12.7 × 0.80	φ9.5 × 0.80	φ6.4 × 0.80
150 ≤ x < 200	φ19.1 × 0.80	φ15.9 × 0.99	φ9.5 × 0.80	φ6.4 × 0.80
200 ≤ x < 290	φ22.2 × 0.80	φ19.1 × 0.80	φ12.7 × 0.80	φ9.5 × 0.80
290 ≤ x < 420	φ28.6 × 0.99	φ28.6 × 0.99	φ15.9 × 0.99	φ12.7 × 0.80
420 ≤ x < 640	φ34.9 × 1.21	φ34.9 × 1.21	φ28.6 × 0.99	φ19.1 × 0.80
640 ≤ x < 920	φ41.3 × 1.43	φ41.3 × 1.43	φ34.9 × 0.99	φ28.6 × 0.99
920 ≤	φ47.8 × 1.65	φ47.8 × 1.65	φ41.3 × 1.43	φ34.9 × 0.99

(Unit: mm)

Piping between outside branch and outside unit (part C)
 • Match to the size of connection piping of outside unit

Example for refrigerant branch using REFNET joint and REFNET header for RWEYQ30

(Heat recovery system)
 If the outside unit is RWEYQ30 and the piping lengths are as at right

Re = 80 × 0.26 + 11 × 0.12 + 49 × 0.05 + 100 × 0.02 + 9 = 25.071

System name Heat recovery system
 RWEYQ10 3 kg
 RWEYQ20 4.5 kg
 RWEYQ30 6 kg

Actual pipe length

Maximum allowable length
 Between outside (A) and indoor units
 Between outside branch and outside unit (in case of multi system)
 Between outside and indoor units
 Between indoor and indoor units
 Between outside and outside units
 Allowable length after the branch

Example of downstream indoor units

Example of downstream indoor units

9 Installation

9 - 2 Refrigerant pipe selection

1
9

RWEYQ-P

System	Liquid pipe
RWEYQ8, 10PY1	φ9.5 → φ12.7
RWEYQ16PY1	φ12.7 → φ15.9
RWEYQ18 ~ 24PY1	φ15.9 → φ19.1
RWEYQ26 ~ 30PY1	φ19.1 → φ22.2

Note 1. When the equivalent pipe length between outside and indoor units is 80m or more, the size of main pipes on the liquid side (refer to figure 21) must be increased according to the right table.
(Never increase suction gas pipe and HP/LP gas pipe.)
(Refer to figure 21)

1. Outside unit
2. Main pipes
3. Increase only liquid pipe size
4. First refrigerant branch kit
5. Indoor unit

Note 2. Allowable length after the first refrigerant branch kit to indoor units is 40m or less, however it can be extended up to 90m if all the following conditions are satisfied. (In case of "Branch with REFNET joint")

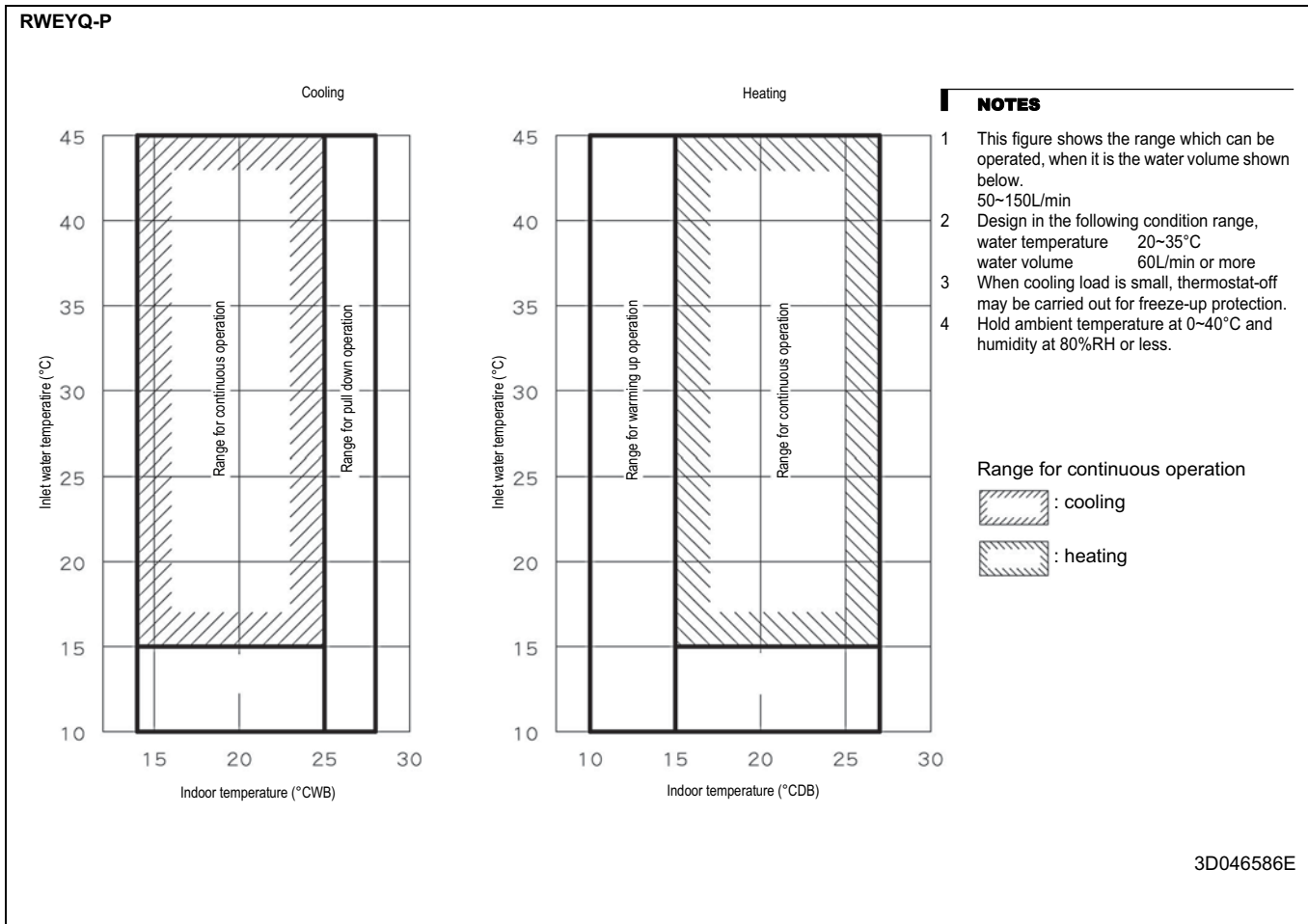
Required Conditions	Example Drawings	Increase the liquid and suction gas pipe size as follows
1. It is necessary to increase the liquid and suction gas pipe size between the first branch kit and the final branch kit. (Reducers must be procured on site) However, the pipes that are same pipe size with main pipe must not be increased.	$\text{[8]} \quad b + c + d + e + f + g + p \leq 90 \text{ m}$ increase the liquid and suction gas pipe size of b, c, d, e, f, g	$\begin{aligned} \phi 9.5 \rightarrow \phi 12.7 & \quad \phi 15.9 \rightarrow \phi 19.1 & \quad \phi 22.2 \rightarrow \phi 25.4^* & \quad \phi 34.9 \rightarrow \phi 38.1^* \\ \phi 12.7 \rightarrow \phi 15.9 & \quad \phi 19.1 \rightarrow \phi 22.2 & \quad \phi 28.6 \rightarrow \phi 31.8^* & \end{aligned}$
2. For calculation of Total extension length, the actual length of above pipes must be doubled. (except main pipe and the pipes that are not increased)	$a + b \times 2 + c \times 2 + d \times 2 + e \times 2 + f \times 2 + g \times 2 + h + i + j + k + l + m + n + p \leq 300 \text{ m}$	<p style="text-align: center;">REFNET joint (A-G)</p> <p style="text-align: center;">Indoor units (1 - 8)</p> <p style="text-align: center;">Outside unit</p>
3. Indoor unit to the nearest branch kit $\leq 40 \text{ m}$	$h, i, j, \dots, p \leq 40 \text{ m}$	
4. The difference between [Outside unit to the farthest indoor unit] and [Outside unit to the nearest indoor unit] $\leq 40 \text{ m}$	The farthest indoor unit [8] The nearest indoor unit [1] $(a + b + c + d + e + f + g + p) - (a + h) \leq 40 \text{ m}$	

*If available on the site, use this size. Otherwise it can not be increased.

This table is about a heat recovery system (3-piping: suction gas, HP/LP gas and liquid pipes).
In a case of heat pump system (2-piping: gas and liquid pipes), select the pipe size from suction gas pipe for gas pipes and from liquid gas pipe for liquid pipes.
And BS unit is not required.

3P153897-8L

10 Operation range



10 Operation range

1

10