

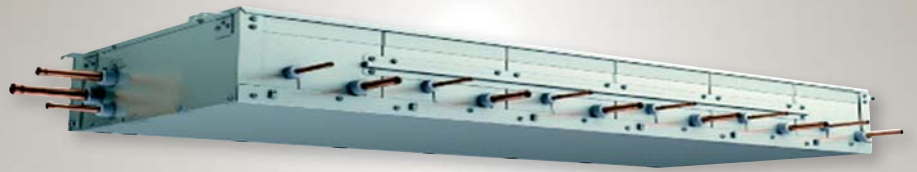


Air Conditioners

Technical Data



Individual branch selector for VRV® heat recovery (Multi BS box)



EEDEN11-200

BSV6Q100PV



Air Conditioners

Technical Data



Individual branch selector for VRV® heat recovery (Multi BS box)



EEDEN11-200

BSV6Q100PV

TABLE OF CONTENTS

BSVQ6P100PV

1	Specifications	2
	Technical Specifications	2
	Electrical Specifications	2
2	Safety device settings	3
3	Dimensional drawing & centre of gravity	4
	Dimensional drawing	4
	Centre of gravity	5
4	Piping diagram	6
5	Wiring diagram	7
	Wiring diagram	7
6	Sound data	8
	Sound pressure spectrum	8

1 Specifications

1-1 Technical Specifications				BSV6Q100PV1
Maximum capacity index of connectable indoor units				600
Maximum capacity index of connectable indoor units per branch				100
Number of branches				6
Maximum number of connectable indoor units				30
Maximum number of connectable indoor units per branch				5
Power input (nominal)	Cooling	kW		0.030
	Heating	kW		0.030
Casing	Material			Galvanised steel
Dimensions	Unit	Height	mm	209
		Width	mm	1,577
		Depth	mm	635
Weight	Unit	kg		89
Outdoor Unit	Liquid (OD)	Type		Brazing connection
		Diameter	mm	15.9
	Gas	Type		Brazing connection
		Diameter	mm	28.6
	Discharge Gas	Type		Brazing connection
		Diameter	mm	28.6
Indoor Units	Liquid (OD)	Type		Brazing connection
		Diameter	mm	9.5
	Gas	Type		Brazing connection
		Diameter	mm	15.9
Sound absorbing thermal insulation material				Foamed polyurethane, Flame resisting needle felt
Standard Accessories	Item			Installation manual
				Connection pipes
				Insulation pipe cover
				Clamps
Notes				In case of connection with a 20~50 type indoor unit, match to the size of the field pipe using the attached pipe. Connection between the attached pipe and the field pipe must be brazed.
				In case the joint diameter does not fit on the triple piping side, a reducer is needed (field supply)
				Insulators are necessary (field supply) for the triple piping side

1-2 Electrical Specifications				BSV6Q100PV1
Power Supply	Name			V1
	Phase			1~
	Frequency	Hz		50
	Voltage	V		220-240
Voltage range	Minimum	V		-10%
	Maximum	V		+10%
Total circuit	Minimum circuit amps (MCA)	A		0.8
	Maximum Fuse Amps	A		15
Notes				Voltage range : units are suitable for use on electrical systems where voltage supplied to unit terminal is not below or above listed range limits
				Maximum allowable voltage range variation between phases is 2%
				MCA / MFA : MCA = 1.25 x FLA
				MFA is smaller than or equal to 4 x FLA
				Next lower standard fuse rating minimum 15A
				Select wire size based on MCA
				Instead of a fuse, use a circuit breaker

2 Safety device settings

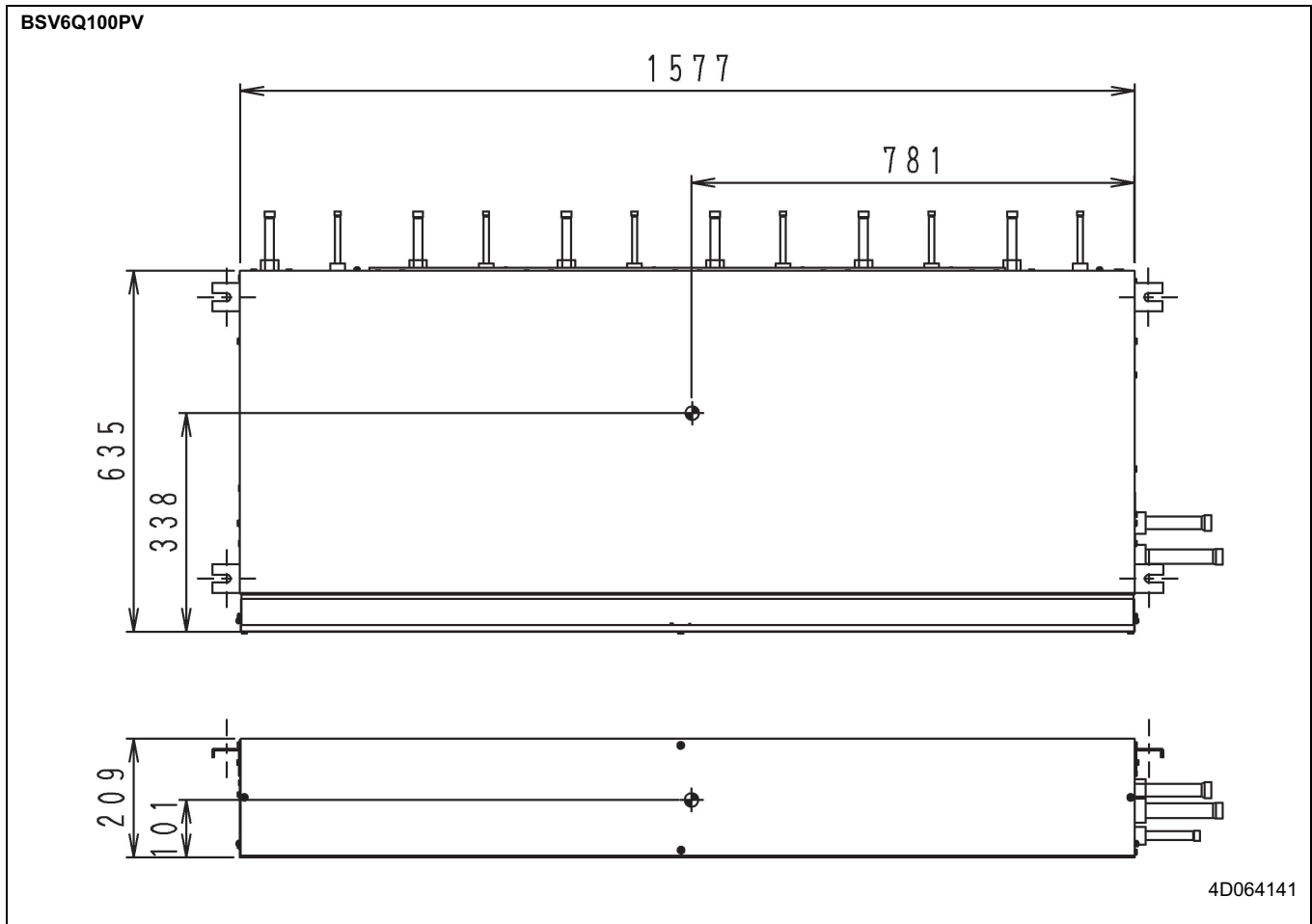
BSV4Q100PV
BSV6Q100PV

Model	Safety devices
	PC board fuse
BSV4Q100PV	250V 3.15A
BSV6Q100PV	250V 3.15A

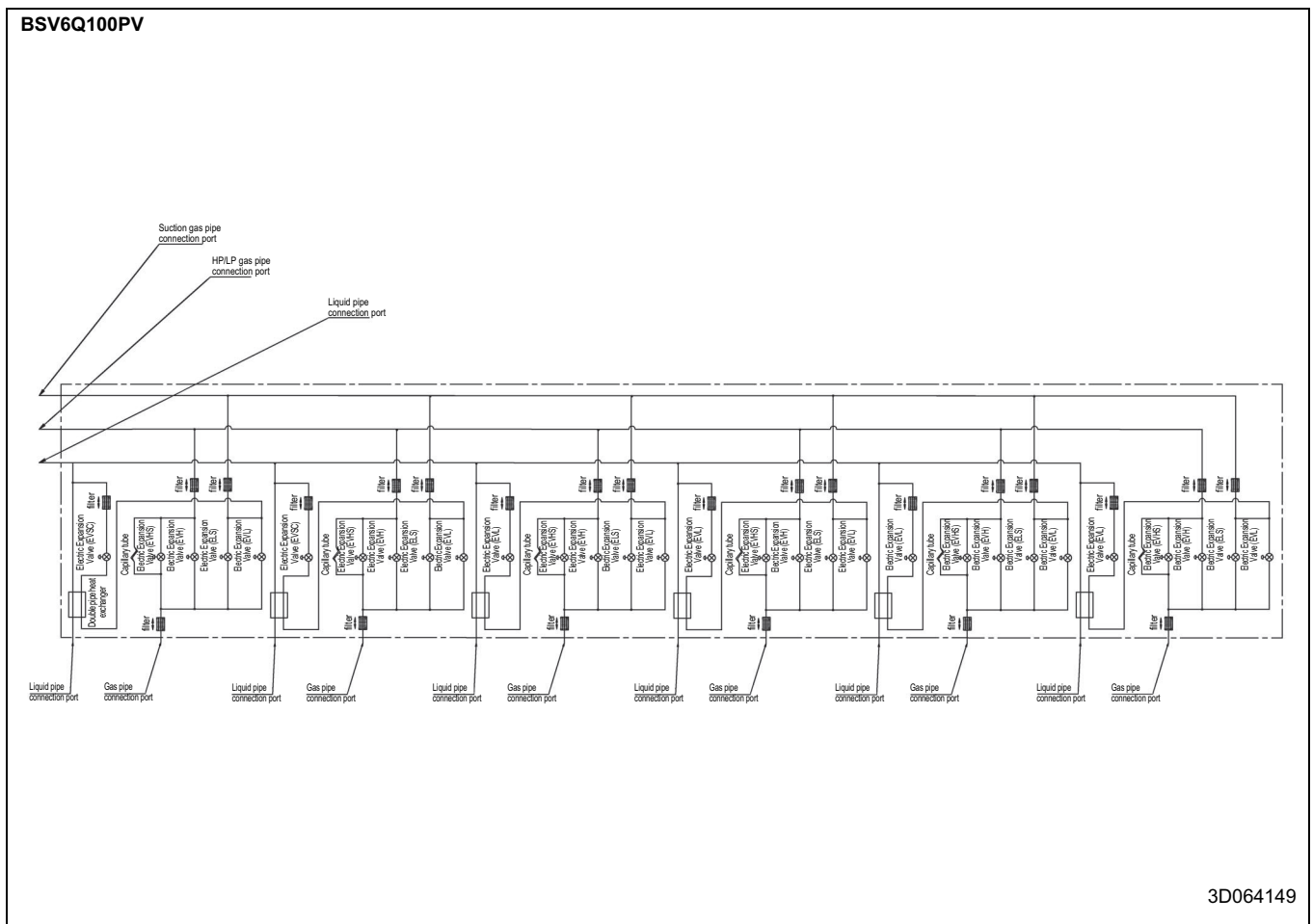
4D064144

3 Dimensional drawing & centre of gravity

3 - 2 Centre of gravity

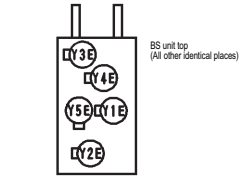
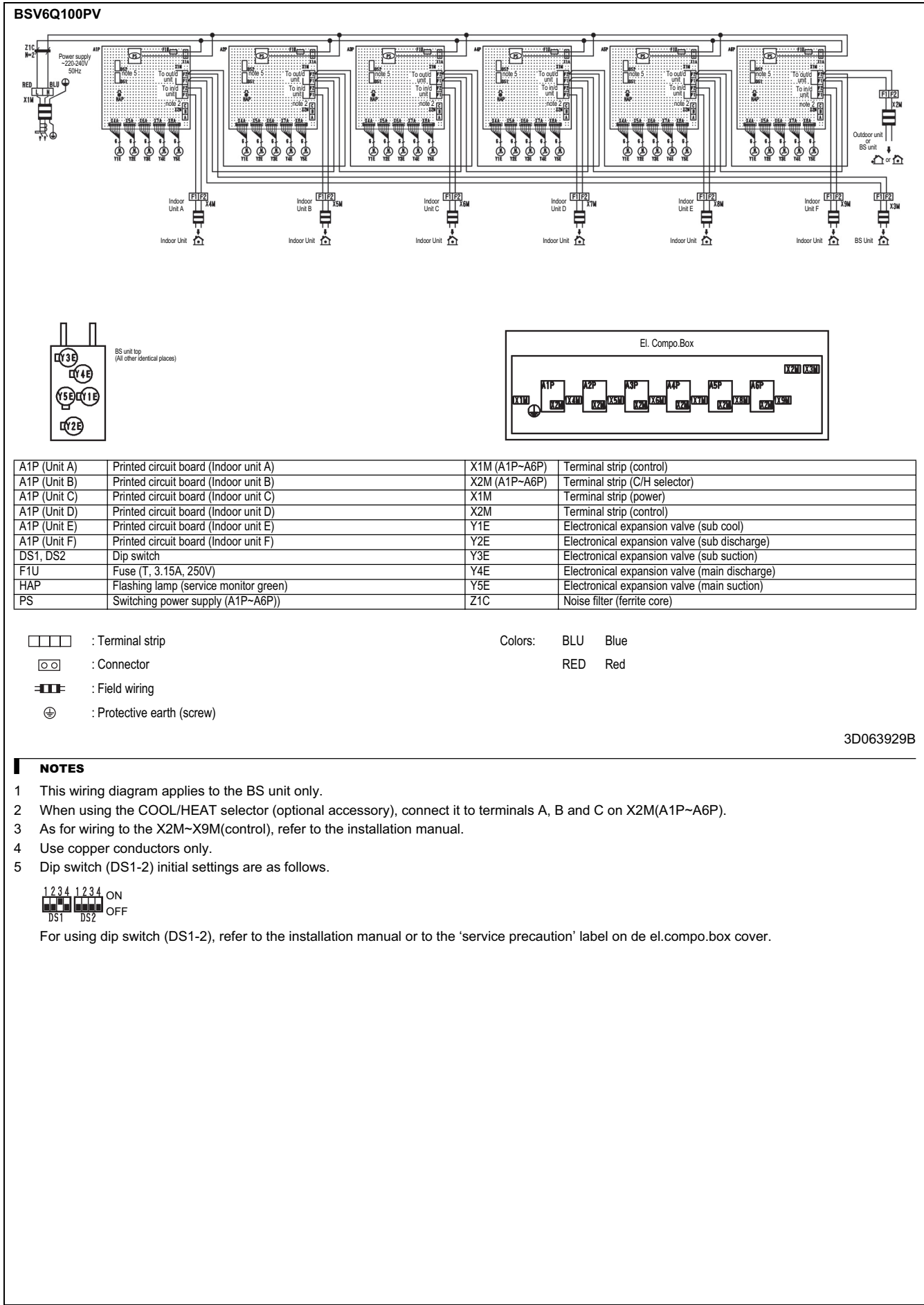


4 Piping diagram



5 Wiring diagram

5 - 1 Wiring diagram



A1P (Unit A)	Printed circuit board (Indoor unit A)	X1M (A1P~A6P)	Terminal strip (control)
A1P (Unit B)	Printed circuit board (Indoor unit B)	X2M (A1P~A6P)	Terminal strip (C/H selector)
A1P (Unit C)	Printed circuit board (Indoor unit C)	X1M	Terminal strip (power)
A1P (Unit D)	Printed circuit board (Indoor unit D)	X2M	Terminal strip (control)
A1P (Unit E)	Printed circuit board (Indoor unit E)	Y1E	Electronical expansion valve (sub cool)
A1P (Unit F)	Printed circuit board (Indoor unit F)	Y2E	Electronical expansion valve (sub discharge)
DS1, DS2	Dip switch	Y3E	Electronical expansion valve (sub suction)
F1U	Fuse (T, 3.15A, 250V)	Y4E	Electronical expansion valve (main discharge)
HAP	Flashing lamp (service monitor green)	Y5E	Electronical expansion valve (main suction)
PS	Switching power supply (A1P~A6P)	Z1C	Noise filter (ferrite core)

- : Terminal strip
- : Connector
- : Field wiring
- : Protective earth (screw)

Colors: BLU Blue
RED Red

3D063929B

NOTES

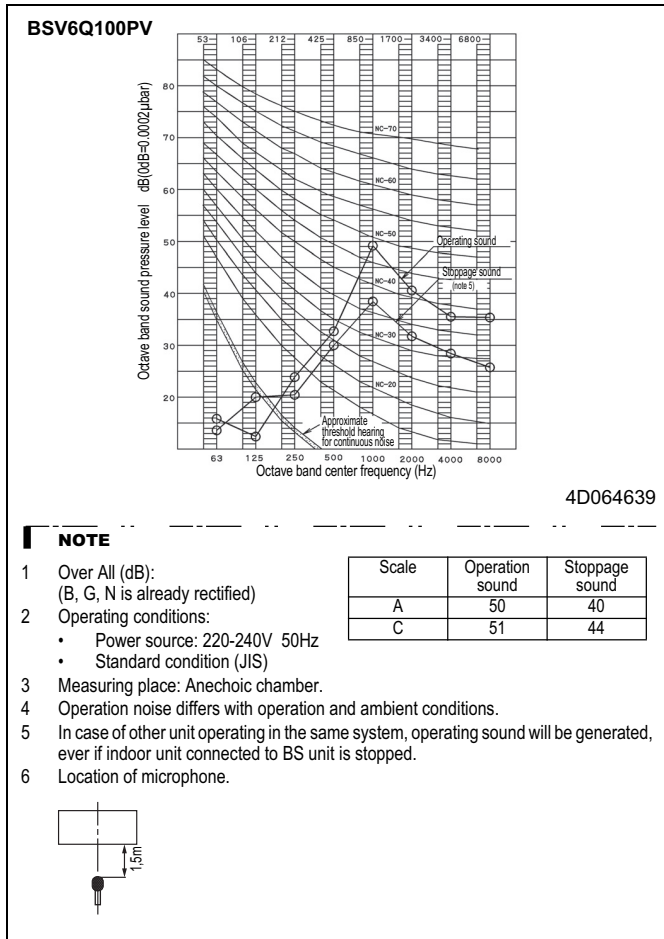
- 1 This wiring diagram applies to the BS unit only.
- 2 When using the COOL/HEAT selector (optional accessory), connect it to terminals A, B and C on X2M(A1P~A6P).
- 3 As for wiring to the X2M~X9M(control), refer to the installation manual.
- 4 Use copper conductors only.
- 5 Dip switch (DS1-2) initial settings are as follows.



For using dip switch (DS1-2), refer to the installation manual or to the 'service precaution' label on de el.compo.box cover.

6 Sound data

6 - 1 Sound pressure spectrum



In all of us,
a green heart



Daikin's unique position as a manufacturer of air conditioning equipment, compressors and refrigerants has led to its close involvement in environmental issues. For several years Daikin has had the intention to become a leader in the provision of products that have limited impact on the environment. This challenge demands the eco design and development of a wide range of products and an energy management system, resulting in energy conservation and a reduction of waste.

VRV® products are not within the scope of the Eurovent certification programme.



The present publication is drawn up by way of information only and does not constitute an offer binding upon Daikin Europe N.V. Daikin Europe N.V. has compiled the content of this publication to the best of its knowledge. No express or implied warranty is given for the completeness, accuracy, reliability or fitness for particular purpose of its content and the products and services presented therein. Specifications are subject to change without prior notice. Daikin Europe N.V. explicitly rejects any liability for any direct or indirect damage, in the broadest sense, arising from or related to the use and/or interpretation of this publication. All content is copyrighted by Daikin Europe N.V..

Daikin products are distributed by: