

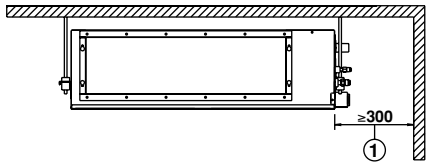
DAIKIN



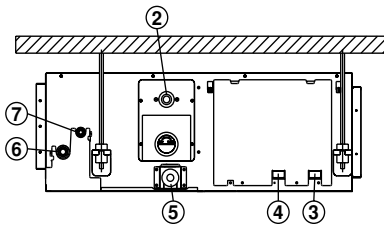
INSTALLATION AND OPERATION MANUAL

***VRV* System air conditioners**

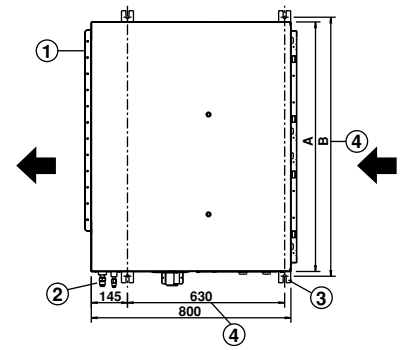
FXSQ20M8V3B
FXSQ25M8V3B
FXSQ32M8V3B
FXSQ40M8V3B
FXSQ50M8V3B
FXSQ63M8V3B
FXSQ80M8V3B
FXSQ100M8V3B
FXSQ125M8V3B



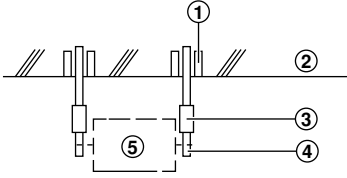
1



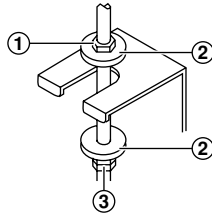
2



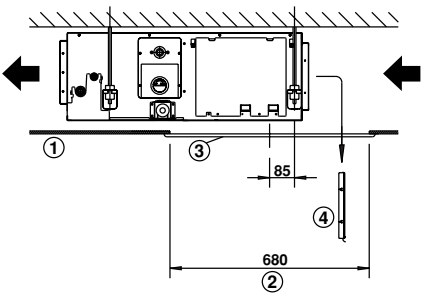
3



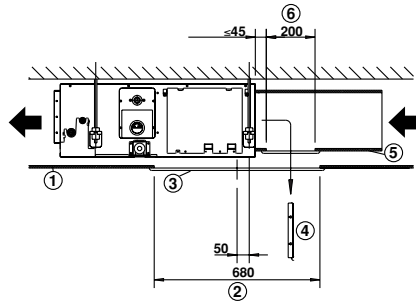
4



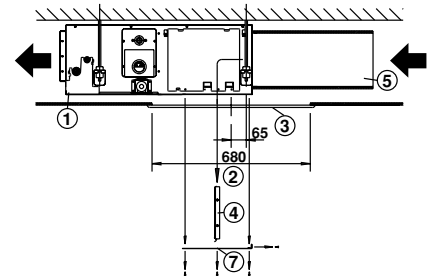
5



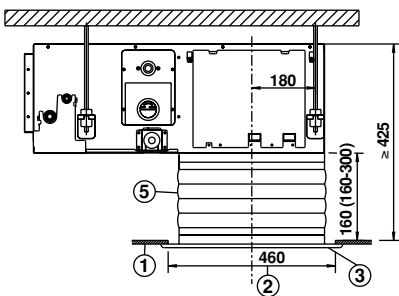
6a



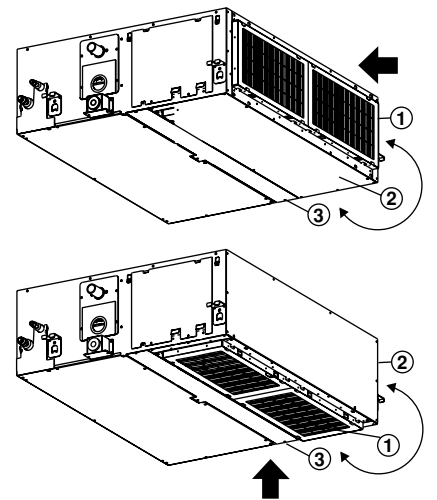
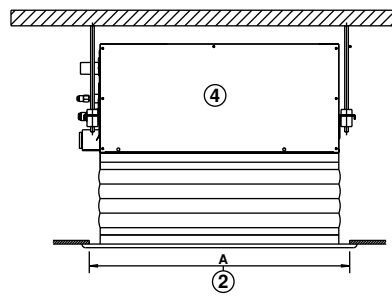
6b



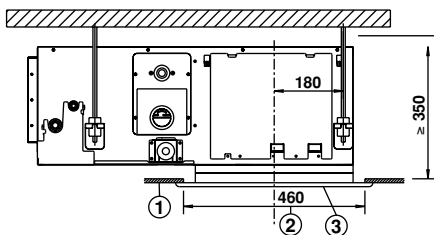
6c



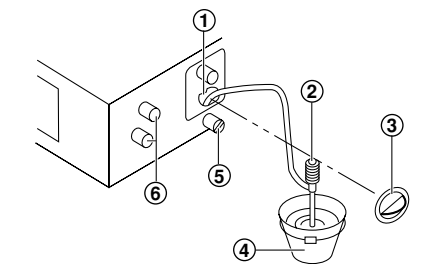
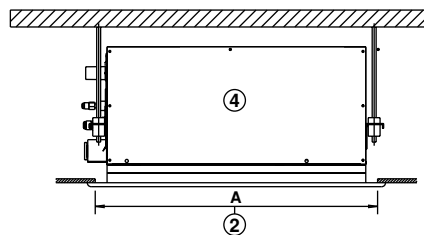
7b



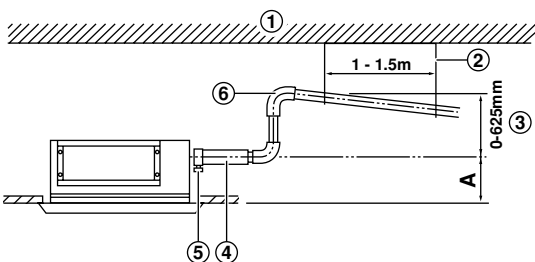
7a



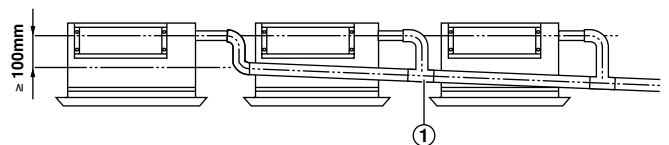
7c



10



8



9

CONTENTS

	Page
Before installation.....	1
Important information regarding the refrigerant used.....	2
Selecting installation site.....	2
Preparations before installation.....	2
Indoor unit installation.....	3
Refrigerant piping work.....	3
Drain piping work.....	4
Electric wiring work.....	5
Wiring example and how to set the remote controller.....	6
Wiring example.....	6
Field setting.....	7
Installation of the decoration panel.....	7
Test operation.....	8
Maintenance.....	8
Disposal requirements.....	9
Wiring diagram.....	10

! READ THESE INSTRUCTIONS CAREFULLY BEFORE INSTALLATION. KEEP THIS MANUAL IN A HANDY PLACE FOR FUTURE REFERENCE.

IMPROPER INSTALLATION OR ATTACHMENT OF EQUIPMENT OR ACCESSORIES COULD RESULT IN ELECTRIC SHOCK, SHORT-CIRCUIT, LEAKS, FIRE OR OTHER DAMAGE TO THE EQUIPMENT. BE SURE ONLY TO USE ACCESSORIES MADE BY DAIKIN WHICH ARE SPECIFICALLY DESIGNED FOR USE WITH THE EQUIPMENT AND HAVE THEM INSTALLED BY A PROFESSIONAL.

IF UNSURE OF INSTALLATION PROCEDURES OR USE, ALWAYS CONTACT YOUR DAIKIN DEALER FOR ADVICE AND INFORMATION.

BEFORE INSTALLATION


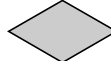
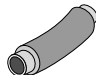

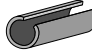
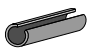
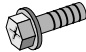
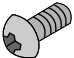
- Leave the unit inside its packaging until you reach the installation site. Where unpacking is unavoidable, use a sling of soft material or protective plates together with a rope when lifting, this to avoid damage or scratches to the unit.
- Refer to the installation manual of the outdoor unit for items not described in this manual.
- Caution concerning refrigerant series R410A:
The connectable outdoor units must be designed exclusively for R410A.
- Do not place objects in direct proximity of the outdoor unit and do not let leaves and other debris accumulate around the unit. Leaves are a hotbed for small animals which can enter the unit. Once in the unit, such animals can cause malfunctions, smoke or fire when making contact with electrical parts.

Precautions

- Do not install or operate the unit in rooms mentioned below.
 - Places with mineral oil, or filled with oil vapour or spray like in kitchens. (Plastic parts may deteriorate.)
 - Where corrosive gas like sulphurous gas exists. (Copper tubing and brazed spots may corrode.)
 - Where volatile flammable gas like thinner or gasoline is used.
 - Where machines generating electromagnetic waves exist. (Control system may malfunction.)
 - Where the air contains high levels of salt such as air near the ocean and where voltage fluctuates a lot (e.g. in factories). Also in vehicles or vessels.
- When selecting the installation site, use the supplied paper pattern for installation.
- Do not install accessories on the casing directly. Drilling holes in the casing may damage electrical wires and consequently cause fire.

Accessories

Check if the following accessories are included with your unit.

 Metal clamp 1 piece	 Paper pattern for installation 1 piece	 Drain hose 1 piece
Insulation for fitting 1 each		 Washer for hanging bracket 8 pieces
 for gas pipe	 for liquid pipe	
 Screws for duct flanges 1 set		 Screws for fixing the paper pattern for installation 6 pieces
FXSQ20~32	6 pieces	
FXSQ40+50	8 pieces	
FXSQ63	12 pieces	
FXSQ80~125	16 pieces	
Other: installation and operation manual, fuse		

Screws for fixing panels are attached to the air inlet panel.

Optional accessories

- There are two types of remote controllers: wired and wireless. Select a remote controller according to customer request and install in an appropriate place. Refer to catalogues and technical literature for selecting a suitable remote controller.
- When installing bottom suction: air inlet panel and canvas connection for the air inlet panel.

For the following items, take special care during construction and check after installation is finished

Tick ✓ when checked	
<input type="checkbox"/>	Is the indoor unit fixed firmly? The unit may drop, vibrate or make noise.
<input type="checkbox"/>	Is the gas leak test finished? It may result in insufficient cooling.
<input type="checkbox"/>	Is the unit fully insulated? Condensate water may drip.
<input type="checkbox"/>	Does drainage flow smoothly? Condensate water may drip.
<input type="checkbox"/>	Does the power supply voltage correspond to that shown on the name plate? The unit may malfunction or components may burn out.
<input type="checkbox"/>	Are wiring and piping correct? The unit may malfunction or components may burn out.
<input type="checkbox"/>	Is the unit safely grounded? Dangerous at electric leakage.
<input type="checkbox"/>	Is the wiring size according to specifications? The unit may malfunction or components may burn out.
<input type="checkbox"/>	Is nothing blocking the air outlet or inlet of either the indoor or outdoor units? It may result in insufficient cooling.
<input type="checkbox"/>	Are refrigerant piping length and additional refrigerant charge noted down? The refrigerant charge in the system might not be clear.
<input type="checkbox"/>	Are the air filters fixed properly (when installing with rear duct)? Maintenance of the air filters can be impossible.

Notes to the installer

- Read this manual carefully to ensure correct installation. Be sure to instruct the customer how to properly operate the system and show him/her the enclosed operation manual.
- Explain to the customer what system is installed on the site. Be sure to fill out the appropriate installation specifications in the chapter "What to do before operation" of the outdoor unit operation manual.

IMPORTANT INFORMATION REGARDING THE REFRIGERANT USED

This product contains fluorinated greenhouse gases covered by the Kyoto Protocol.

Refrigerant type: R410A
GWP⁽¹⁾ value: 1975

⁽¹⁾ GWP = global warming potential

Periodical inspections for refrigerant leaks may be required depending on European or local legislation. Please contact your local dealer for more information.

SELECTING INSTALLATION SITE

(See figure 1 and figure 2)

- 1 Select an installation site where the following conditions are fulfilled and that meets your customer's approval.
 - Where optimum air distribution can be ensured.
 - Where nothing blocks air passage.
 - Where condensate water can be properly drained.
 - Where the false ceiling is not noticeably on an incline.
 - Where sufficient clearance for maintenance and service can be ensured.
 - Where piping between indoor and outdoor units is possible within the allowable limit. (Refer to the installation manual of the outdoor unit.)

- This is a class A product. In a domestic environment this product may cause radio interference in which case the user may be required to take adequate measures.
- Keep indoor unit, outdoor unit, power supply wiring and transmission wiring at least 1 meter away from televisions and radios. This is to prevent image interference and noise in those electrical appliances. (Noise may be generated depending on the conditions under which the electric wave is generated, even if 1 meter is kept.)

2 Use suspension bolts for installation. Check whether the ceiling is strong enough to support the weight of the indoor unit. If there is a risk, reinforce the ceiling before installing the unit.

- 1 Service space ≥ 300
- 2 Drain pipe
- 3 Power supply wiring port
- 4 Transmission wiring port
- 5 Maintenance drain outlet
- 6 Gas pipe
- 7 Liquid pipe

PREPARATIONS BEFORE INSTALLATION

1 Relation of ceiling opening to unit and suspension bolt position. (See figure 3)

Model	A	B
FXSQ20~32	550	600
FXSQ40+50	700	750
FXSQ63	1000	1050
FXSQ80~125	1400	1450

- 1 Indoor unit
- 2 Pipe
- 3 Suspension bolt pitch (x4)
- 4 Suspension bolt pitch distance

For installation, choose one of the possibilities as listed further.

Standard rear suction (See figure 6a)

- 1 Ceiling surface
- 2 Ceiling opening
- 3 Service access panel (optional accessory)
- 4 Air filter
- 5 Air inlet duct
- 6 Duct service opening
- 7 Interchangeable plate

Installation with rear duct and duct service opening (See figure 6b)

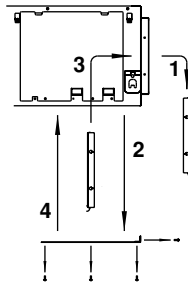
Installation with rear duct, no duct service opening (See figure 6c)

NOTE



Before installation of the unit (in case of installation with duct, but no duct service opening): modify the position of the air filters.

- 1 Remove the air filter(s) at the outside of the unit
- 2 Remove the interchangeable plate
- 3 Install the air filter(s) from the inside of the unit
- 4 Reinstall the interchangeable plate



Bottom suction (See figure 7a)

NOTE The unit can be used with bottom suction by replacing the interchangeable plate by the air filter holding plate.

- 1 Air filter holding plate with air filter(s)
- 2 Interchangeable plate
- 3 Small bottom plate

Mounting the air inlet panel with a canvas connection (See figure 7b)

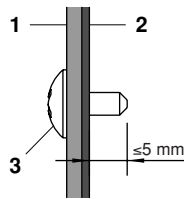
- 1 Ceiling surface
- 2 Ceiling opening
- 3 Air inlet panel (Optional accessory)
- 4 Indoor unit (Back side)
- 5 Canvas connection for air inlet panel (Optional accessory)

Model	A
FXSQ20~32	610
FXSQ40+50	760
FXSQ63	1060
FXSQ80~125	1460

Mounting the air inlet panel directly (See figure 7c)

NOTE When installing an air inlet duct, select fixing screws that shall stick out maximum 5 mm at the inside of the flange.

- 1 Air inlet duct
- 2 Inside of the flange
- 3 Fixing screw



This is to protect the air filter from damage during maintenance of the filter.

For other installation than standard installation, contact your Daikin dealer for details.

- 2 The fan speed for this indoor unit is preset to provide standard external static pressure.
If higher or lower external static pressure is required, reset the external static pressure by repositioning the adaptors of the PC-board.
Refer to "Setting of static pressure changeover connector" on page 6.
- 3 Install the suspension bolts.
(Use M10 size bolt for the suspension bolt.) Use anchors for existing ceilings, and a sunken insert, sunken anchors or other field supplied parts for new ceilings to reinforce the ceiling in order to bear the weight of the unit.

Installation example

(See figure 4)

- 1 Anchor
- 2 Ceiling slab
- 3 Long nut or turn-buckle
- 4 Suspension bolt
- 5 Indoor unit

NOTE All the above parts are field supplied.



INDOOR UNIT INSTALLATION

When installing optional accessories (except for the air inlet panel), read also the installation manual of the optional accessories. Depending on the field conditions, it may be easier to install optional accessories before the indoor unit is installed.

- 1 Install the indoor unit temporarily.
 - Attach the hanger bracket to the suspension bolt. Be sure to fix it securely by using a nut and washer from the upper and lower sides of the hanger bracket. (See figure 5)
- 2 Check if the unit is horizontally levelled.
 - Do not install the unit tilted. The indoor unit is equipped with a built-in drain pump and float switch. (If the unit is tilted against condensate flow, the float switch may malfunction and cause water to drip.)
 - Check if the unit is levelled at all four corners with a water level or a water-filled vinyl tube as shown in figure 13.
- 3 Tighten the upper nut.
 - 1 Nut (field supply)
 - 2 Washer for hanger bracket (supplied with the unit)
 - 3 Tighten (double nut)
- 4 Fix the paper pattern for installation.
 - The paper pattern for installation corresponds with the measurements of the ceiling opening. Consult the builder for details.
 - Attach the paper pattern for installation to the unit with the attached screws as shown in figure 17.
The paper pattern for installation is marked for 3 types of ceiling openings. Read the notations carefully when installing.

- 1 Paper pattern for installation (supplied with the unit)
- 2 Screws for fixing the paper pattern for installation (supplied with the unit (6))

REFRIGERANT PIPING WORK

For refrigerant piping of outdoor unit, refer to the installation manual supplied with the outdoor unit.

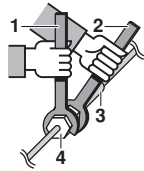
Before rigging tubes, check which type of refrigerant is used.

NOTE All field piping must be provided by a licensed refrigeration technician and must comply with the relevant local and national codes.

- Use a pipe cutter and flare suitable for the used refrigerant.
- Apply ether oil or ester oil around the flare portions before connecting.
- To prevent dust, moisture or other foreign matter from infiltrating the tube, either pinch the end, or cover it with tape.

- The outdoor unit is charged with refrigerant.
- Be sure to use both a spanner and torque wrench together when connecting or disconnecting pipes to/from the unit.

- 1 Torque wrench
- 2 Spanner
- 3 Piping union
- 4 Flare nut

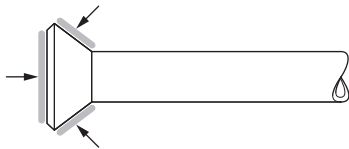


- Refer to [Table 1](#) for the dimensions of flare nut spaces and the appropriate tightening torque. (Overtightening may damage the flare and cause leaks.)

Table 1

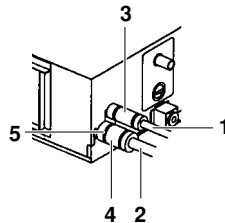
Pipe gauge	Tightening torque	Flare dimension A (mm)	Flare shape
Ø6.4	14.2~17.2 N•m (144~176 kgf•cm)	8.7~9.1	
Ø9.5	32.7~39.9 N•m (333~407 kgf•cm)	12.8~13.2	
Ø12.7	49.5~60.3 N•m (504~616 kgf•cm)	16.2~16.6	
Ø15.9	61.8~75.4 N•m (630~770 kgf•cm)	19.3~19.7	

- When connecting the flare nut, coat the flare both inside and outside with ether oil or ester oil and initially tighten by hand 3 or 4 turns before tightening firmly. Coat here with ether oil or ester oil

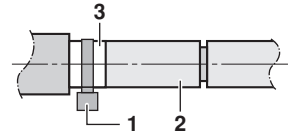


- Check the pipe connector for gas leaks, then insulate it.

- 1 Liquid pipe
- 2 Gas pipe
- 3 Insulation for fitting of liquid line (supplied with the unit)
- 4 Insulation for fitting of gas line (supplied with the unit)
- 5 Clamps (use 2 clamps per insulation)



- 1 Metal clamp
- 2 Drain hose
- 3 White tape (field supply)



- Insulate the drain hose inside the building.
- If the drain hose cannot be sufficiently set on a slope, fit the hose with drain raising piping (field supply).

HOW TO PERFORM PIPING (See figure 8)

- 1 Ceiling slab
- 2 Hanging bar
- 3 Adjustable range
- 4 Drain hose (supplied with the unit)
- 5 Metal clamp (supplied with the unit)
- 6 Drain raising pipe (field supply)

- Connect the drain hose to the drain raising pipes, and insulate them.
- Connect the drain hose to the drain pipe on the indoor unit, and tighten it with the metal clamp.

Installation	A
Rear suction installation	275
When canvas duct is installed	350-530
When air inlet panel is directly installed	275

- To ensure a downward slope of 1:100, install hanging bars every 1 to 1.5 m.
- If unifying multiple drain pipes, install the pipes as shown in [figure 9](#).

- 1 Multiple drain piping

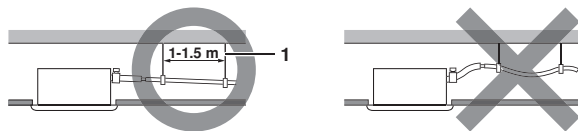
- 2 After piping work is finished, check if drainage flows smoothly.

- Open the water inlet lid, add approximately 1 l of water gradually and check the drainage flow. (See [figure 10](#))

- 1 Water inlet
- 2 Portable pump
- 3 Water inlet lid
- 4 Bucket (adding water from water inlet)
- 5 Drain outlet for maintenance (with rubber drain plug)
- 6 Refrigerant pipes

DRAIN PIPING WORK

Rig the drain piping as shown in the figure and take measures against condensation. Improperly rigged piping could lead to leaks and eventually wet furniture and belongings.



- 1 Hanging bar

- 1 Install the drain pipes.

- Keep piping as short as possible and slope it downwards so that air may not remain trapped inside the pipe.
- Keep pipe size equal to or greater than that of the connecting pipe (vinyl pipe of 25 mm nominal diameter and 32 mm outer diameter).
- Use the supplied drain hose and metal clamp. Tighten the clamp firmly.

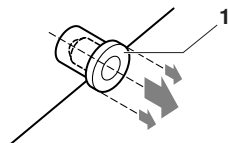


Caution for drain socket

Do not remove the drain pipe plug. Water might leak out.

The drain outlet is only used to discharge water if the drain pump is not used or before maintenance. Gently put in and out the drain plug. Excessive force may deform the drain socket of the drain pan.

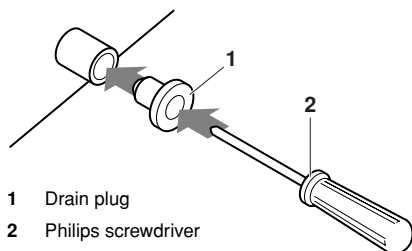
- Pulling out the plug



1 Drain plug

Do not wiggle the plug up and down

- Pushing in the plug



1 Drain plug

2 Philips screwdriver

Set the plug and push it by using a Philips screwdriver






When electric wiring work is finished

Check drainage flow during COOL running, explained in "Test operation" on page 8.

When electric wiring work is not finished

Remove the switch box cover and connect the single-phase power supply and the remote controller to the terminals. (Refer to "Electric wiring work" on page 5 for switch box attachment/detachment.) (Refer to figure 11a and figure 11b)

- 1 Switch box cover
- 2 Power supply wiring port
- 3 Transmission wiring port
- 4 Wiring diagram
- 5 Switch box
- 6 Plastic clamp
- 7 Remote controller wiring
- 8 Terminal board for unit transmission wiring
- 9 Power supply wiring
- 10 Indoor PC board
- 11 Power supply terminal board
- 12 Earth screw
- 13 Transmission wiring between units
- 14 Adaptor for PC board

Next, press the inspection/test operation button  on the remote controller. The unit will engage the test operation mode. Press the operation mode selector button  until selecting fan operation . Then, press the on/off button . The indoor unit fan and drain pump will start up. Check that the water has drained from the unit. Press  to go back to the first mode.

ELECTRIC WIRING WORK

General instructions

- All field supplied parts and materials and electric works must conform to local codes.
- Use copper wire only.
- Follow the "Wiring diagram" attached to the switch box cover to wire the outdoor unit, indoor units and the remote controller. For details on hooking up the remote controller, refer to the "Installation manual of the remote controller".
- All wiring must be performed by an authorized electrician.
- A circuit breaker capable of shutting down power supply to the entire system must be installed.
- This system consists of multiple indoor units. Mark each indoor unit as unit A, unit B..., and be sure the terminal board wiring to the outdoor unit and BS unit are properly matched. If wiring and piping between the outdoor unit and an indoor unit are mismatched, the system may cause a malfunction.

Electrical characteristics

Model	Hz	Volts	Voltage range
FXSQ20~125	50	230	min. 198-max. 264

Model	power supply		Fan motor	
	MCA	MFA	KW	FLA
FXSQ20~32	0.5	16 A	0.05	0.4
FXSQ40	0.6	16 A	0.065	0.5
FXSQ50	0.9	16 A	0.085	0.7
FXSQ63	1.1	16 A	0.125	0.9
FXSQ80	1.3	16 A	0.135	1.0
FXSQ100	1.5	16 A	0.135	1.2
FXSQ125	2.0	16 A	0.225	1.6

MCA: Min. circuit Amps (A)

MFA: Max. Fuse Amps (A)

KW: Fan Motor Rated Output (kW)

FLA: Full Load Amps (A)

NOTE For details, refer to "Electrical data".



Specifications for field supplied fuses and wire

Model	Power supply wiring		
	Field fuses	Wire	Size
FXSQ20~125	16 A	H05VV-U3G	Local codes

Model	Wire	Size
FXSQ20~125	Sheathed wire (2)	0.75-1.25 mm ²

NOTE For details, refer to "Wiring example" on page 6.



Allowable length of transmission wiring between indoor and outdoor units, and between the indoor unit and the remote controller is as follows:

1. Outdoor unit - indoor unit: max. 1000 m (total wiring length: 2000 m)
2. Indoor unit - remote controller: max 500 m

WIRING EXAMPLE AND HOW TO SET THE REMOTE CONTROLLER

How to connect wiring

From the outside of the unit

Remove the switch box cover as shown in [figure 11b](#), and make the connections.

From the inside of the unit

Remove the small bottom plate and the interchangeable plate (in case of rear suction) or the air filter holding plate (in case of bottom suction). Lower the switch box as shown in [figure 11c](#). Put the wires through the wiring ports of the switch box cover before connecting them.

- 1 Small bottom plate
- 2 Air filter holding plate
- 3 Switch box
- 4 Interchangeable plate
- 5 Square hole (covered by the switch box cover)

PRECAUTIONS

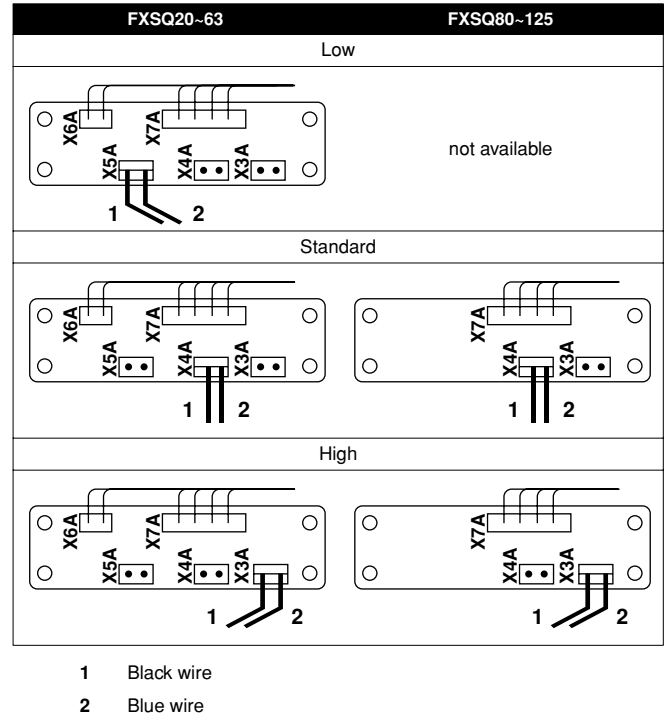
- 1 Observe the notes mentioned below when wiring to the power supply terminal board.
 - Do not connect wires of different gauge to the same power supply terminal. (Looseness in the connection may cause overheating.)
 - When connecting wires of the same gauge, connect them according to the figure.



- 2 Keep total current of crossover wiring between indoor units less than 12 A. Branch the line outside the terminal board of the unit in accordance with electrical equipment standards, when using two power wiring of a gauge greater than 2 mm² (Ø1.6).
The branch must be sheathed in order to provide an equal or greater degree of insulation as power supply wiring itself.
- 3 Do not connect wires of different gauge to the same grounding terminal. Looseness in the connection may deteriorate the protection.
- 4 Remote controller cords and wires connecting the units should be located at least 50 mm away from power supply wiring. Not following this guideline may result in malfunction due to electrical noise.
- 5 For the remote controller wiring, refer to the "Installation manual of the remote controller" supplied with the remote controller.
- 6 Never connect the power supply wiring to the terminal board for transmission wiring. This mistake could damage the entire system.
- 7 Use only specified wires and tightly connect wires to the terminals. Be careful that wires do not place external stress on the terminals. Keep wiring in neat order so that they do not obstruct other equipment such as popping open the switch box cover. Make sure the cover closes tight. Incomplete connections could result in overheating, and in the worse case, electric shock or fire.

Setting of static pressure changeover connector

- According to the systems static pressure requirement, reposition the adaptors of the PC board inside the switch box as shown in the figure.



NOTE The unit is factory set for standard static pressure (X4A) at the time of shipping.

WIRING EXAMPLE

Fit the power supply wiring of each unit with a switch and fuse as shown in [figure 19](#).

- 1 Power supply
- 2 Main switch
- 3 Power supply wiring
- 4 Transmission wiring
- 5 Switch
- 6 Fuse
- 7 BS unit REYQ only
- 8 Indoor unit
- 9 Remote controller

Complete system example (3 systems)

When using 1 remote controller for 1 indoor unit (Normal operation) ([See figure 12](#))

For group control or use with 2 remote controllers ([See figure 14](#))

When including BS unit ([See figure 16](#))

- 1 Outdoor unit
- 2 Indoor unit
- 3 Remote controller (optional accessories)
- 4 Most downstream indoor unit
- 5 For use with 2 remote controllers
- 6 BS unit

NOTE It is not necessary to designate an indoor unit address when using group control. The address is automatically set when the power is activated.

PRECAUTIONS

- A single switch can be used to supply power to units on the same system. However, branch switches and branch circuit breakers must be selected carefully.
- For a group control remote controller, choose the remote controller that suits the indoor unit which has the most functions.
- Do not ground the equipment on gas pipes, water pipes, lightning rods or crossground with telephones. Improper grounding could result in electric shock.

FIELD SETTING

Field setting must be made on the remote controller in function of the installation condition.

- Setting can be made by changing the "Mode number", "First code No." and "Second code No."
- For setting and operation, refer to the "Field settings" in the installation manual of the remote controller.

Summary of field settings

Mode No. (Note 1)	First code No.	Description of setting	Second code No. (Note 2)				
			01	02	03	04	
10 (20)	0	Filter contamination - Heavy/Light = Setting to define time between 2 filter cleaning display indications. (When contamination is high, setting can be changed to half the time inbetween 2 filter cleaning display indications.)	Ultra-long-life filter ±10,000 hrs.	Light ±2,500 hrs.	Heavy ±1,250 hrs.	—	—
		Long-life filter	—	—	—	—	
		Standard filter	±200 hrs.	±100 hrs.	—	—	
10 (20)	2	Thermostat sensor selection	Use both the unit sensor (or remote sensor if installed) AND the remote controller sensor. (See note 5+6)	Use unit sensor only (or remote sensor if installed). (See note 5+6)	Use remote controller sensor only. (See note 5+6)	—	—
		3	Setting for display of time between 2 filter cleaning display indications	Display	Do not display	—	—
		6	Thermostat sensor in group control	Use unit sensor only (or remote sensor if installed). (See note 6)	Use both the unit sensor (or remote sensor if installed) AND the remote controller sensor. (See note 4+5+6)	—	—
12 (22)	0	Output signal X1-X2 of the optional KRP1B PCB kit	Thermostat-on + compressor run	—	Operation	Mal-function	
		1	ON/OFF input from outside (T1/T2 input) = Setting when forced ON/OFF is to be operated from outside.	Forced OFF	ON/OFF operation	—	—
		3	Fan setting during thermostat OFF at heating operation	LL	Set speed	OFF (See note 3)	—
		4	Differential automatic changeover	0°C	1°C	2°C	3°C (See note 7)
		5	Auto-restart after power failure	Disabled	Enabled	—	—
		9	Fixed cool/heat master	Disabled	Enabled	—	—
13 (23)	6	Setting the external static pressure (To be set in function of the connected duct resistance)	Normal	High static pressure	Low static pressure	—	
15 (25)	3	Drain pump operation + humidifier interlock	Equipped	Not equipped	—	—	

Note 1 : Setting is carried out in the group mode, however, if the mode number inside parentheses is selected, indoor units can also be set individually.

Note 2 : Factory settings of the Second code No. are marked in grey backgrounds.

Note 3 : Only use in combination with optional remote sensor or when setting 10-2-03 is used.

Note 4 : If group control is selected and remote sensor is to be used, then set 10-6-02 & 10-2-03.

Note 5 : If setting 10-6-02 + 10-2-01 or 10-2-02 or 10-2-03 are set at the same time, then setting 10-2-01, 10-2-02 or 10-2-03 have priority.

Note 6 : If setting 10-6-01 + 10-2-01 or 10-2-02 or 10-2-03 are set at the same time, then setting for group connection, 10-6-01 has priority and for individual connection, 10-2-01, 10-2-02 or 10-2-03 have priority.

Note 7 : More settings for Differential automatic change over temperatures are:

Second code No.	05	4°C
	06	5°C
	07	6°C
	08	7°C

Control by 2 Remote Controllers (Controlling 1 indoor unit by 2 remote controllers)

When using 2 remote controllers, one must be set to "MAIN" and the other to "SUB".

MAIN/SUB CHANGEOVER

- Insert a wedge-head screwdriver into the recess between the upper and lower part of the remote controller and, working from the 2 positions, pry off the upper part. (See figure 15) (The remote controller PC board is attached to the upper part of the remote controller.)
- Turn the main/sub changeover switch on one of the two remote controller PC boards to "S". (See figure 20) (Leave the switch of the other remote controller set to "M".)

- 1 Remote controller PC board
- 2 Factory setting
- 3 Only one remote controller needs to be changed

Computerised control (forced off and on/off operation)

1 Wire specifications and how to perform wiring

- Connect input from outside to terminals T1 and T2 of the terminal board (remote controller to transmission wiring).

Wire specification	Sheathed vinyl cord or cable (2 wire)
Gauge	0.75-1.25 mm ²
Length	Max. 100 m
External terminal	Contact that can ensure the minimum applicable load of 15 V DC, 10 mA

(See figure 18)

- 1 Input A

2 Actuation

- The following table explains "forced off" and "on/off operations" in response to input A.

Forced off	on/off operation
Input "on" stops operation	input off → on: turns on the unit (impossible by remote controllers)
Input "off" enables control	input on → off: turns off the unit by remote controller

3 How to select forced off and on/off operation

- Turn the power on and then use the remote controller to select operation.
- Set the remote controller to the field set mode. For details, refer to the chapter "How to set in the field", in the remote controller manual.
- When in the field set mode, select mode No. 12, then set the first code No. to "1". Then set second code (position) No. to "01" for forced off and to "02" for on/off operation. (forced off at factory set.) (See figure 21)

- 1 Second code No.
- 2 Mode No.
- 3 First code No.
- 4 Field set mode

Centralized control

For centralized control, it is necessary to designate the group No. For details, refer to the manual of each optional controller for centralized control.

INSTALLATION OF THE DECORATION PANEL

Refer to the installation manual attached to the decoration panel.

After installing the decoration panel, ensure that there is no space between the unit body and decoration panel.

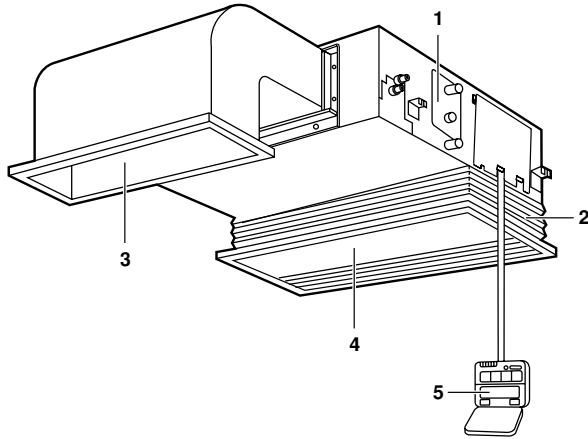
TEST OPERATION

Refer to the installation manual of the outdoor unit.

The operation lamp of the remote controller will flash when an error occurs. Check the error code on the liquid crystal display to identify the trouble. An explanation of error codes and the corresponding trouble is provided on the "Caution for servicing" sticker on the indoor units switch box.

PRECAUTIONS

In case something is wrong with the unit and it does not operate, refer to the malfunction diagnosis label attached to the unit.



- 1 Drain pumping device (built-in) drain water is removed from the room during cooling.
- 2 Air filter (inside suction grill)
- 3 Air outlet
- 4 Decoration panel (optional), this is where the room air is drawn in.
- 5 Remote controller


MAINTENANCE



Caution

- Only a qualified service person is allowed to perform maintenance.
- Before obtaining access to terminal devices, all power supply circuits must be interrupted.
- Do not use water or air of 50°C or higher for cleaning air filters and outside panels.
- When cleaning the heat exchanger, be sure to remove the switchbox, fan motor, auxiliary electric heater and drain pump. Water or detergent may deteriorate the insulation of electronic components and result in burn-out of these components.
- If the main power supply is turned off during operation, operation will restart automatically after the power turns back on again.

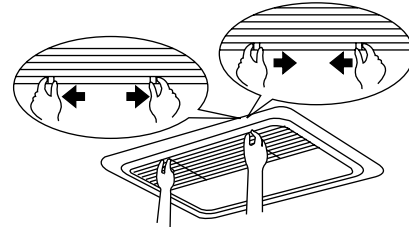
How to clean the air filter

Clean the air filter when the display shows "  " (TIME TO CLEAN AIR FILTER).

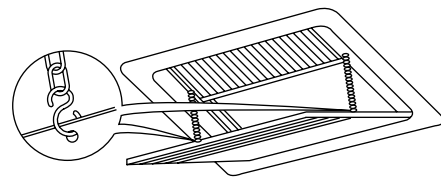
Increase the frequency of cleaning if the unit is installed in a room where the air is extremely contaminated.

If the dirt becomes impossible to clean, change the air filter. (Air filter for exchange is optional.)

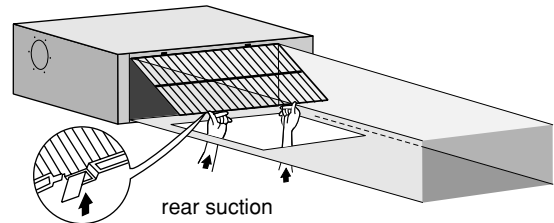
- 1 Open the suction grille. (Only for bottom suction.)
Slide both knobs simultaneously as shown and then pull them downward.



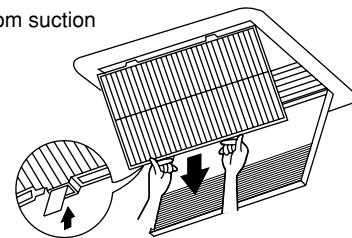
If chains are present, unhook the chains.



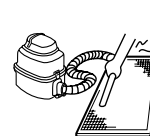
- 2 Remove the air filters.
Remove the air filters by pulling their cloth upward (rear suction) or backward (bottom suction).



bottom suction

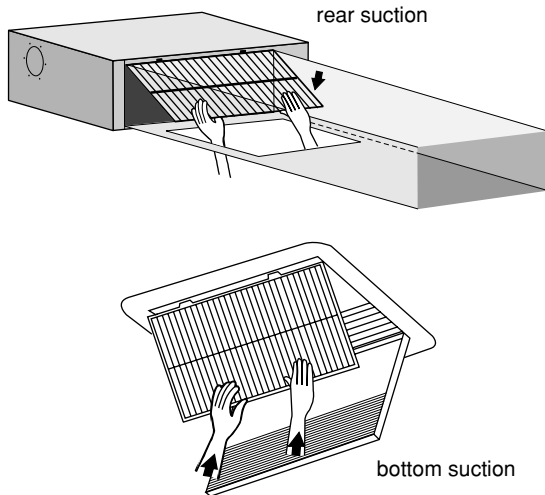


- 3 Clean the air filter.
Use vacuum cleaner (A) or wash the air filter with water (B).
(A) Using a vacuum cleaner (B) Washing with water



When the air filter is very dirty, use soft brush and neutral detergent.
Remove water and dry in the shade.

4 Fix the air filter.



Align the two hanger brackets and push the two clips in their place (pull the cloth if necessary).
Confirm that four hangers are fixed.

- 5 Shut the air inlet grille. (Only for bottom suction.)
Refer to item no. 1.
- 6 After turning on the power, press FILTER SIGN RESET button.
The "TIME TO CLEAN AIR FILTER" display is turned off.

How to clean air outlet and outside panels

- Clean with soft cloth.
- When it is difficult to remove stains, use water of neutral detergent.
- Clean the air inlet grille when it is shut.

NOTE Do not use gasoline, benzene, thinner, polishing powder, liquid insecticide. It may cause discoloring or warping.

Do not let the indoor unit get wet. It may cause an electric shock or a fire.

Start up after a long stop

Confirm the following:

- Check that the air inlet and outlet are not blocked. Remove any obstacle.
- Check if the earth is connected.

Clean the air filter and outside panels.

- After cleaning the air filter, make sure to attach it.

Turn on the main power supply switch.

- The control panel display lights when the power is turned on.
- To protect the unit, turn on the main power switch at least 6 hours before operation.

What to do when stopping the system for a long period

Turn on FAN OPERATION for half a day and dry the unit.

- Refer to the operation manual of the outdoor unit.

Cut off the power supply.

- When the main power switch is turned on, some wattage is being consumed even if the system is not operating.
- The remote controller display is turned off when the main power switch is turned off.

DISPOSAL REQUIREMENTS

Dismantling of the unit, treatment of the refrigerant, of oil and of other parts must be done in accordance with relevant local and national legislation.

WIRING DIAGRAM

	: FIELD WIRING
	: TERMINAL
	: CONNECTOR
	: WIRE CLAMP
	: PROTECTIVE EARTH (SCREW)

BLK	: BLACK
BLU	: BLUE
ORG	: ORANGE
PNK	: PINK
RED	: RED
WHT	: WHITE
YLW	: YELLOW

33H	FLOAT SWITCH
A1P	PRINTED CIRCUIT BOARD
A2P	TERMINAL BOARD
C1R	CAPACITOR (FAN)
F1U	FUSE (250 V/10 A)
F2U	FIELD FUSE
HAP	LIGHT EMITTING DIODE (SERVICE MONITOR - GREEN)
M1F	MOTOR (FAN)
M1P	MOTOR (DRAIN PUMP)
Q2E	EARTH LEAK DETECTOR
R1T	THERMISTOR (AIR)
R2T,R3T	THERMISTOR (REFRIGERANT)
RyF1-3	MAGNETIC RELAY (FAN)
RyP	MAGNETIC RELAY (DRAIN PUMP)
X1M	TERMINAL STRIP (POWER)
X2M	TERMINAL STRIP (CONTROL)
T1R	TRANSFORMER (220-240 V/22 V)
Y1E	ELECTRONIC EXPANSION CIRCUIT

OPTIONAL PARTS

F3-5U	FUSE (250 V/16 A)
J1EH	ELECTRIC HEATER
K1R	MAGNETIC RELAY (J1EH)

ADAPTOR FOR WIRING

RyC,RyF	MAGNETIC RELAY
RyH	MAGNETIC RELAY (J1EH)
F1U,F2U	FUSE (250 V/5 A)
X1A,X2A	CONNECTOR (WIRING ADAPTOR)
X1M	TERMINAL STRIP

CONNECTOR FOR OPTIONAL PARTS

X16A	CONNECTOR (WIRING ADAPTOR)
X18A	CONNECTOR (WIRING ADAPTOR FOR ELECTRICAL APPENDICES)

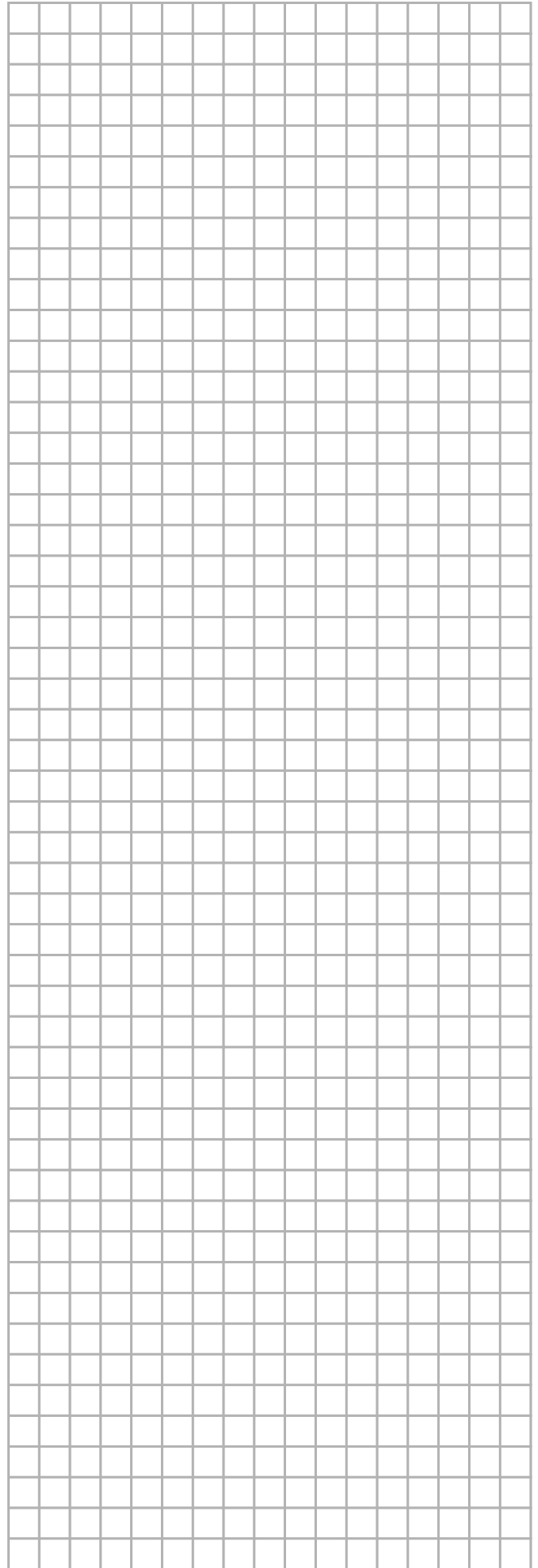
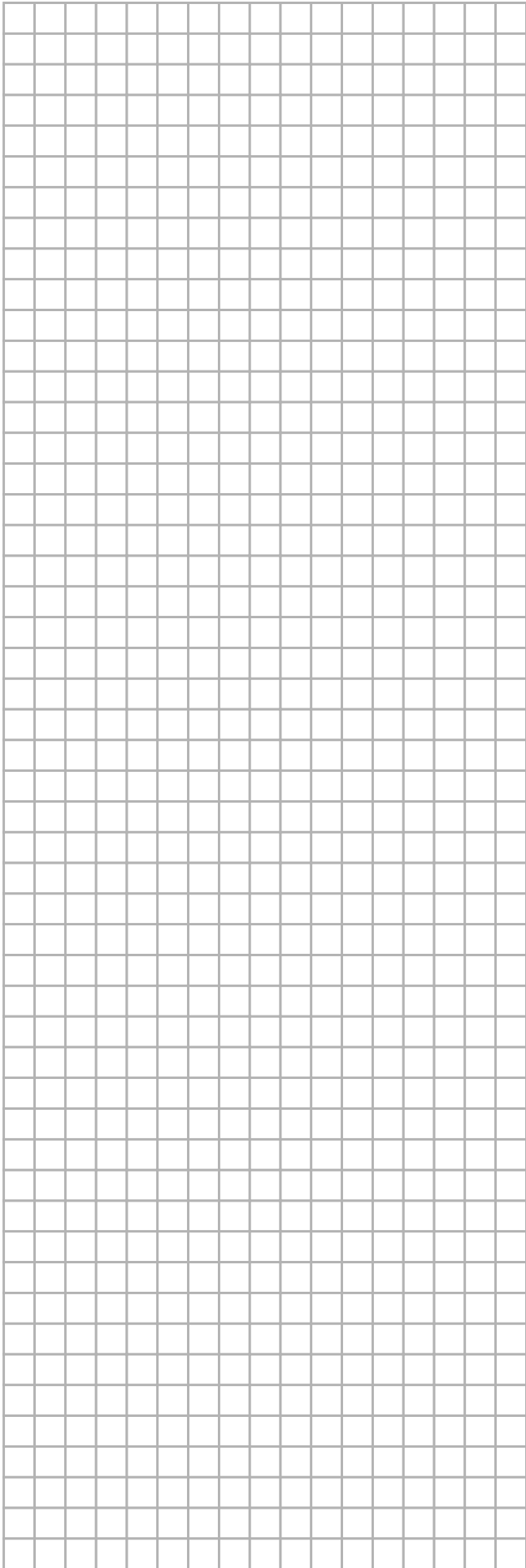
RECEIVER/DISPLAY UNIT	:
WIRED REMOTE CONTROLLER	:
SWITCH BOX	:
TRANSMISSION WIRING	:
INPUT FROM OUTSIDE	:
CENTRAL REMOTE CONTROLLER	:

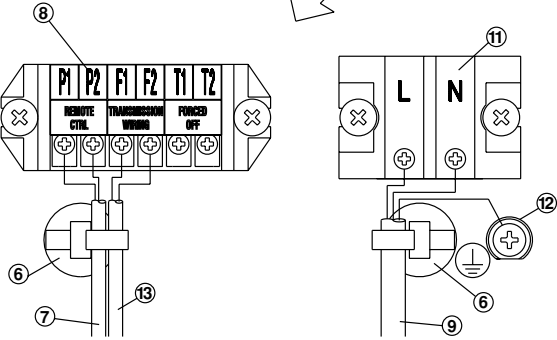
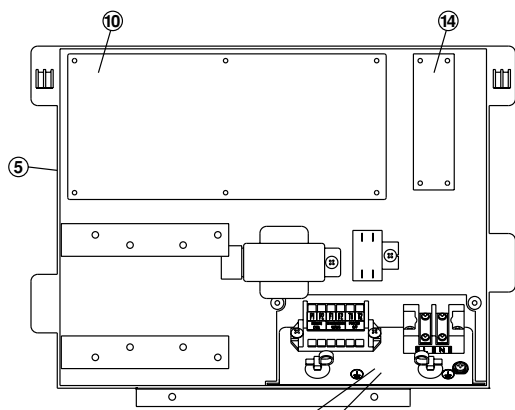
NOTE



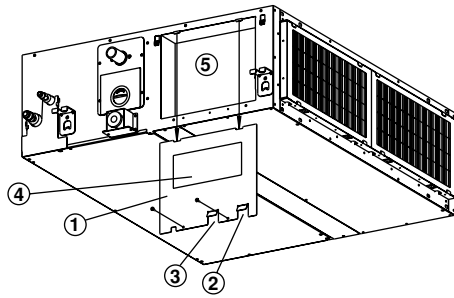
1. WHEN USING THE CENTRAL REMOTE CONTROLLER, SEE MANUAL FOR CONNECTION TO THE UNIT.
2. X23A IS CONNECTED WHEN THE CENTRAL REMOTE CONTROLLER IS USED.
3. WHEN CONNECTING THE INPUT WIRES FROM OUTSIDE, FORCED OFF OR ON/OFF CONTROL OPERATION CAN BE SELECTED BY THE REMOTE CONTROLLER. SEE INSTALLATION MANUAL FOR MORE DETAILS.

NOTES

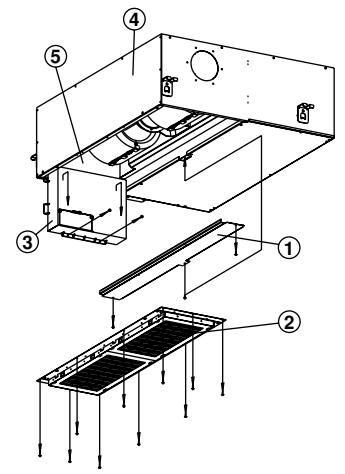




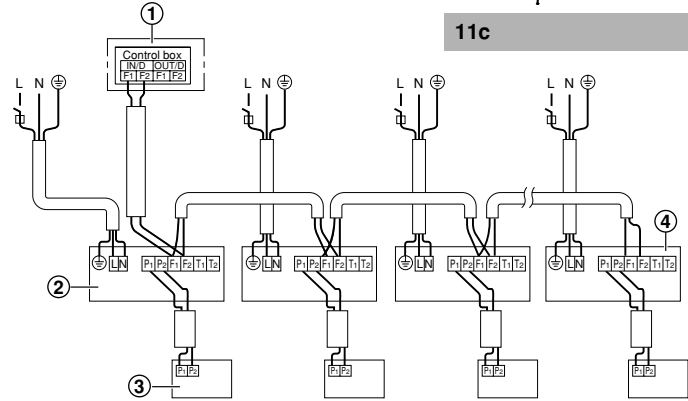
11a



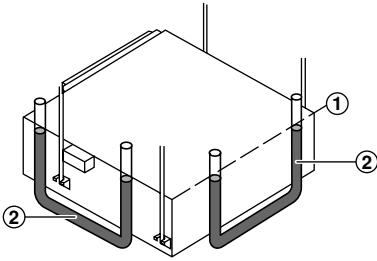
11b



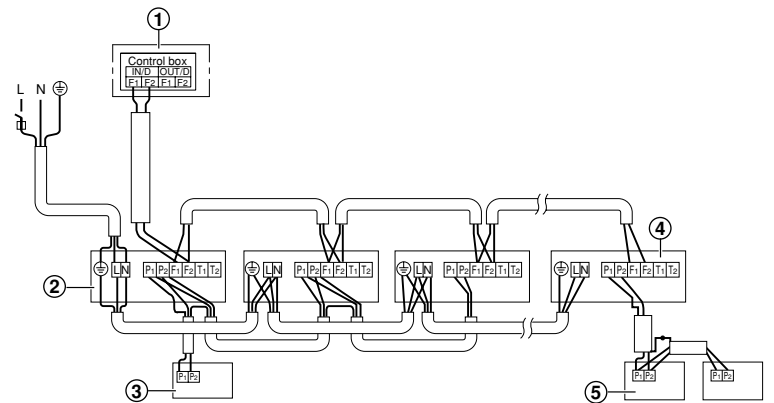
11c



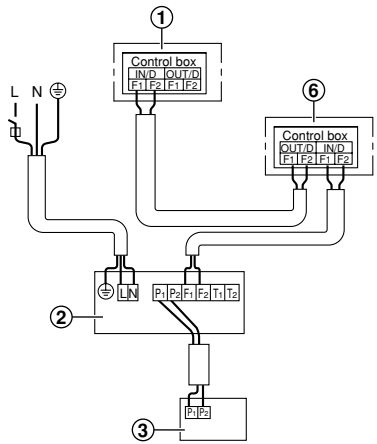
12



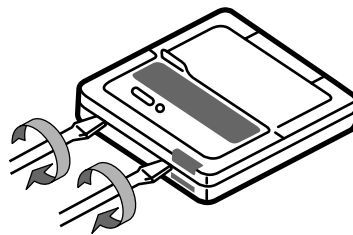
13



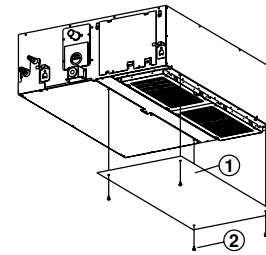
14



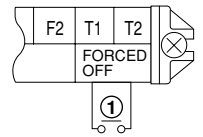
16



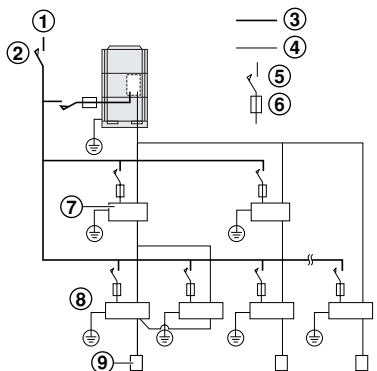
15



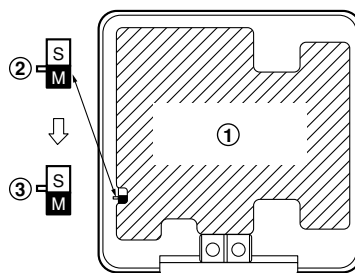
17



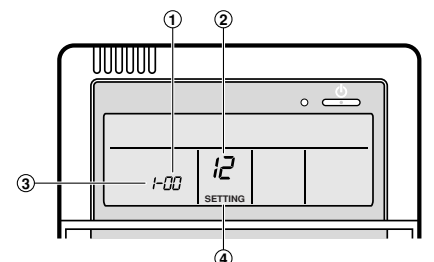
18



19



20



21

DAIKIN EUROPE NV

Zandvoordestraat 300, B-8400 Oostende, Belgium

4PW25083-1C