

# technical data

Concealed ceiling unit  
FXSQ-M8V3B

air conditioning systems

*VRV<sup>®</sup> III-S*

*VRV<sup>®</sup> III*

*VRV<sup>®</sup> II*

*VRV<sup>®</sup>-WII*

# TABLE OF CONTENTS

## FXSQ-M8V3B

1	Specifications .....	2
	Technical Specifications .....	2
	Electrical Specifications .....	6
2	Safety device settings .....	7
3	Options .....	8
4	Control systems .....	9
5	Capacity tables .....	10
	Cooling capacity tables .....	10
	Heating capacity tables .....	12
6	Dimensional drawing & centre of gravity .....	14
	Dimensional drawing .....	14
	Centre of gravity .....	18
7	Piping diagram.....	19
8	Wiring diagram.....	20
	Wiring diagram .....	20
9	Sound data.....	22
	Sound level data .....	22
	Sound pressure spectrum .....	23
10	Air flow pattern.....	25
11	Fan characteristics .....	26
12	Installation.....	28
	Suspension bolt pitch position .....	28
	Installation method .....	29
	Filter installation method .....	30
	Switch box connection .....	31
	Service space .....	32

# 1 Specifications

1

1-1 TECHNICAL SPECIFICATIONS				FXSQ20M8V3B	FXSQ25M8V3B	FXSQ32M8V3B	FXSQ40M8V3B	FXSQ50M8V3B	
Capacity (Conditions specified in 1)	Cooling	kW		2.20	2.80	3.60	4.50	5.60	
	Heating	kW		2.50	3.20	4.00	5.00	6.30	
Power input (Nominal)	Cooling	kW		0.110	0.110	0.114	0.127	0.143	
	Heating	kW		0.090	0.090	0.094	0.107	0.123	
Casing	Colour	Non painted							
	Material	Galvanised steel							
Dimensions	Packing	Height	mm	354	354	354	354	354	
		Width	mm	742	742	742	892	892	
		Depth	mm	936	936	936	936	936	
	Unit	Height	mm	300	300	300	300	300	
		Width	mm	550	550	550	700	700	
		Depth	mm	800	800	800	800	800	
Weight	Unit	kg		30	30	30	30	31	
	Packed Unit	kg		34	34	34	34	35	
Required Ceiling Void		mm		350	350	350	350	350	
Heat Exchanger	Dimensions	Length	mm	300	300	300	450	450	
		Nr of Rows		3	3	3	3	3	
		Fin Pitch	mm	1.75	1.75	1.75	1.75	1.75	
		Nr of Passes		3	3	3	4	4	
		Face Area	m <sup>2</sup>	0.088	0.088	0.088	0.132	0.132	
		Nr of Stages		14	14	14	14	14	
	Empty Tubeplate Hole		14						
	Tube type	Hi-XSS (7)							
Fin	Fin type	Symmetric waffle louvre							
	Treatment	Hydrophilic							
Fan	Type	Sirocco fan							
	Quantity			1	1	1	1	1	
Air Flow Rate	Cooling	High	m <sup>3</sup> /min	9.00	9.00	9.50	11.50	15.00	
		Low	m <sup>3</sup> /min	6.50	6.50	7.00	9.00	11.00	
	Heating	High	m <sup>3</sup> /min	9.00	9.00	9.50	11.50	15.00	
		Low	m <sup>3</sup> /min	6.50	6.50	7.00	9.00	11.00	
Fan	External static pressure	High	Pa	125	125	104	116	136	
		Standard	Pa	105	105	88	98	114	
		Low	Pa	96	96	78	85	99	
	Motor	Quantity			1	1	1	1	1
		Model			D18H3AA1V1	D18H3AA1V1	D18H3AA1V1	D18H2AC1V1	D18H2AB1V1
		Steps			step motor				
		Output (high)	W		50	50	50	65	85
Drive			Direct drive						
Refrigerant	Name	R-410A							
Sound Level	Cooling	Sound power (nominal)	dBA	50.0	50.0	51.0	56.0	58.0	
		Sound Pressure	High	dBA	32.0	32.0	33.0	33.0	35.0
Heating	Low		dBA	28.0	28.0	28.0	29.0	31.0	
	Sound Pressure	High	dBA	32.0	32.0	33.0	33.0	35.0	
Low		dBA	28.0	28.0	28.0	29.0	31.0		
Piping connections	Liquid (OD)	Type		Flare connection					
		Diameter	mm	6.35	6.35	6.35	6.35	6.35	
	Gas	Type		Flare connection					
		Diameter	mm	12.7	12.7	12.7	12.7	12.7	
	Drain	Diameter	mm	32	32	32	32	32	
	Heat Insulation		Both liquid and gas pipes						

# 1 Specifications

1-1 TECHNICAL SPECIFICATIONS				FXSQ20M8V3B	FXSQ25M8V3B	FXSQ32M8V3B	FXSQ40M8V3B	FXSQ50M8V3B
Decoration Panel	Model			BYBS32DJW1	BYBS32DJW1	BYBS32DJW1	BYBS45DJW1	BYBS45DJW1
	Colour			White (10Y9/0,5)				
	Dimensions	Height	mm	55	55	55	55	55
		Width	mm	650	650	650	800	800
		Depth	mm	500	500	500	500	500
Weight		kg	3	3	3	3.5	3.5	
Drain-up Height				mm	600	600	600	600
Air Filter				Resin net with mold resistance				
Air direction control				Up and downwards				
Refrigerant control				Electronic expansion valve				
Temperature control				Microprocessor thermostat for cooling and heating				
Safety devices				PC board fuse				
				Drain pump fuse				
				Fan motor thermal fuse				
Standard Accessories	Standard Accessories			Metal clamp for drain hose				
	Quantity			1	1	1	1	1
	Standard Accessories			Paper pattern for installation				
	Quantity			1	1	1	1	1
	Standard Accessories			Drain hose				
	Quantity			1	1	1	1	1
	Standard Accessories			Insulation for fitting				
	Quantity			2	2	2	2	2
	Standard Accessories			Washer for hanger bracket				
	Quantity			8	8	8	8	8
	Standard Accessories			Screws for duct flanges				
	Quantity			6	6	6	8	8
	Standard Accessories			Screws for fixing the paper pattern for installation				
	Quantity			6	6	6	6	6
	Standard Accessories			Fuse				
Quantity			Installation and operation manual					
Quantity			1	1	1	1	1	
Notes				Nominal cooling capacities are based on : indoor temperature : 27°CDB, 19°CWB, outdoor temperature : 35°CDB, equivalent refrigerant piping : 8m, level difference : 0m.				
				Nominal heating capacities are based on : indoor temperature : 20°CDB, outdoor temperature : 7°CDB, 6°CWB, equivalent refrigerant piping : 8m, level difference : 0m.				
				The external static pressure is changeable : change the connectors inside the electrical box, this pressure means : High static pressure -standard - low static pressure				
				The external static pressure is changeable : change the connectors inside the electrical box, this pressure means : High static pressure -standard				
				Capacities are net, including a deduction for cooling (an addition for heating) for indoor fan motor heat.				
The sound pressure values are mentioned for a unit installed with rear suction								

# 1 Specifications

1-1 TECHNICAL SPECIFICATIONS				FXSQ63M8V3B	FXSQ80M8V3B	FXSQ100M8V3B	FXSQ125M8V3B	
Capacity (Conditions specified in 1)	Cooling	kW		7.10	9.00	11.20	14.00	
	Heating	kW		8.00	10.00	12.50	16.00	
Power input (Nominal)	Cooling	kW		0.189	0.234	0.242	0.321	
	Heating	kW		0.169	0.214	0.222	0.301	
Casing	Colour	Non painted						
	Material	Galvanised steel						
Dimensions	Packing	Height	mm	354	356	356	356	
		Width	mm	1192	1596	1596	1596	
		Depth	mm	936	938	938	938	
	Unit	Height	mm	300	300	300	300	
		Width	mm	1000	1400	1400	1400	
		Depth	mm	800	800	800	800	
Weight	Unit	kg		41	51	51	52	
	Packed Unit	kg		47	58	58	59	
Required Ceiling Void			mm	350	350	350	350	
Heat Exchanger	Dimensions	Length	mm	750	1150	1150	1150	
		Nr of Rows		3	3	3	3	
		Fin Pitch	mm	1.75	1.75	1.75	1.75	
		Nr of Passes		7	10	10	10	
		Face Area	m <sup>2</sup>	0.221	0.338	0.338	0.338	
		Nr of Stages		14	14	14	14	
	Tube type	Hi-XSS (7)						
Fin	Fin type	Symmetric waffle louvre						
	Treatment	Hydrophilic						
Fan	Type	Sirocco fan						
	Quantity			2	3	3	3	
Air Flow Rate	Cooling	High	m <sup>3</sup> /min	21.00	27.00	28.00	38.00	
		Low	m <sup>3</sup> /min	15.50	20.00	20.50	28.00	
	Heating	High	m <sup>3</sup> /min	21.00	27.00	28.00	38.00	
		Low	m <sup>3</sup> /min	15.50	20.00	20.50	28.00	
Fan	External static pressure	High	Pa	123	141	141	109	
		Standard	Pa	111	125	125	93	
		Low	Pa	98				
	Motor	Quantity			1	1	1	1
		Model			2D18H2AB1V1	3D18H2AH1V1	3D18H2AH1V1	3D18H2AG1V1
		Steps	step motor					
		Output (high)	W		125	135	135	225
Drive	Direct drive							
Refrigerant	Name		R-410A					
Sound Level	Cooling	Sound power (nominal)	dBA	56.0	55.0	56.0	65.0	
		Sound Pressure	High	dBA	35.0	37.0	38.0	40.0
Heating	Low		dBA	30.0	31.0	33.0	35.0	
	Sound Pressure	High	dBA	35.0	37.0	38.0	40.0	
Low		dBA	30.0	31.0	33.0	35.0		
Piping connections	Liquid (OD)	Type	Flare connection					
		Diameter	mm	9.5	9.5	9.5	9.5	
	Gas	Type	Flare connection					
		Diameter	mm	15.9	15.9	15.9	15.9	
	Drain	Diameter	mm	32	32	32	32	
Heat Insulation	Both liquid and gas pipes							

1

# 1 Specifications

1-1 TECHNICAL SPECIFICATIONS				FXSQ63M8V3B	FXSQ80M8V3B	FXSQ100M8V3B	FXSQ125M8V3B
Decoration Panel	Model			BYBS71DJW1	BYBS125DJW1	BYBS125DJW1	BYBS125DJW1
	Colour			White (10Y9/0,5)			
	Dimensions	Height	mm	55	55	55	55
		Width	mm	1100	1500	1500	1500
		Depth	mm	500	500	500	500
Weight		kg	4.5	6.5	6.5	6.5	
Drain-up Height		mm	600	600	600	600	
Air Filter		Resin net with mold resistance					
Air direction control		Up and downwards					
Refrigerant control		Electronic expansion valve					
Temperature control		Microprocessor thermostat for cooling and heating					
Safety devices		PC board fuse					
		Drain pump fuse					
		Fan motor thermal fuse	Fan motor thermal protector	Fan motor thermal protector	Fan motor thermal protector		
Standard Accessories	Standard Accessories			Metal clamp for drain hose			
	Quantity			1	1	1	1
	Standard Accessories			Paper pattern for installation			
	Quantity			1	1	1	1
	Standard Accessories			Drain hose			
	Quantity			1	1	1	1
	Standard Accessories			Insulation for fitting			
	Quantity			2	2	2	2
	Standard Accessories			Washer for hanger bracket			
	Quantity			8	8	8	8
	Standard Accessories			Screws for duct flanges			
	Quantity			12	16	16	16
	Standard Accessories			Screws for fixing the paper pattern for installation			
	Quantity			6	6	6	6
	Standard Accessories			Fuse			
Quantity			Installation and operation manual				
Quantity			1	1	1	1	
Notes		Nominal cooling capacities are based on : indoor temperature : 27°CDB, 19°CWB, outdoor temperature : 35°CDB, equivalent refrigerant piping : 8m, level difference : 0m.					
		Nominal heating capacities are based on : indoor temperature : 20°CDB, outdoor temperature : 7°CDB, 6°CWB, equivalent refrigerant piping : 8m, level difference : 0m.					
		The external static pressure is changeable : change the connectors inside the electrical box, this pressure means : High static pressure -standard - low static pressure					
		The external static pressure is changeable : change the connectors inside the electrical box, this pressure means : High static pressure -standard					
		Capacities are net, including a deduction for cooling (an addition for heating) for indoor fan motor heat.					
		The sound pressure values are mentioned for a unit installed with rear suction					

# 1 Specifications

1  
1

1-2 ELECTRICAL SPECIFICATIONS			FXSQ20M8V3B	FXSQ25M8V3B	FXSQ32M8V3B	FXSQ40M8V3B	FXSQ50M8V3B
Power Supply	Name		V3				
	Phase		1	1	1	1	1
	Frequency	Hz	50	50	50	50	50
	Voltage	V	230	230	230	230	230
Current	Minimum circuit amps (MCA)	A	0.50	0.50	0.50	0.60	0.90
	Maximum fuse amps (MFA)	A	16.00	16.00	16.00	16.00	16.00
	Full load amps (FLA)	A	0.40	0.40	0.40	0.50	0.70
Voltage range	Minimum	V	-10%				
	Maximum	V	+10%				
Notes			Voltage range : units are suitable for use on electrical systems where voltage supplied to unit terminals is not below or above listed range limits.				
			Maximum allowable voltage range variation between phases is 2%.				
			MCA/MFA : MCA = 1.25 x FLA				
			MFA < 4 x FLA				
			next lower standard fuse rating minimum 16A				
			select wire size based on the MCA				
			instead of a fuse, use a circuit breaker				
			For more details concerning conditional connections, see <a href="http://extranet.daikineurope.com">http://extranet.daikineurope.com</a> , select "E-Data Books". Finally, click on the document title of your choice.				

1-2 ELECTRICAL SPECIFICATIONS			FXSQ63M8V3B	FXSQ80M8V3B	FXSQ100M8V3B	FXSQ125M8V3B
Power Supply	Name		V3			
	Phase		1	1	1	1
	Frequency	Hz	50	50	50	50
	Voltage	V	230	230	230	230
Current	Minimum circuit amps (MCA)	A	1.10	1.40	1.50	2.00
	Maximum fuse amps (MFA)	A	16.00	16.00	16.00	16.00
	Full load amps (FLA)	A	0.90	1.10	1.20	1.60
Voltage range	Minimum	V	-10%			
	Maximum	V	+10%			
Notes			Voltage range : units are suitable for use on electrical systems where voltage supplied to unit terminals is not below or above listed range limits.			
			Maximum allowable voltage range variation between phases is 2%.			
			MCA/MFA : MCA = 1.25 x FLA			
			MFA < 4 x FLA			
			next lower standard fuse rating minimum 16A			
			select wire size based on the MCA			
			instead of a fuse, use a circuit breaker			
			For more details concerning conditional connections, see <a href="http://extranet.daikineurope.com">http://extranet.daikineurope.com</a> , select "E-Data Books". Finally, click on the document title of your choice.			

## 2 Safety device settings

		FXSQ20M8	FXSQ25M8	FXSQ32M8	FXSQ40M8	FXSQ50M8	FXSQ63M8	FXSQ80M8	FXSQ100M8	FXSQ125M8
PC BOARD FUSE		250V 10A								
FAN MOTOR THERMAL FUSE	°C	152 <sup>±2</sup>						-		
FAN MOTOR THERMAL PROTECTOR	°C	-						OFF:130 <sup>±5</sup> , (ON: 80 <sup>±20</sup> )	OFF:130 <sup>±5</sup> , (ON: 80 <sup>±20</sup> )	OFF:130 <sup>±5</sup> , (ON: 80 <sup>±20</sup> )
DRAIN PUMP FUSE	°C	169								
3TW25511-3										



### 3 Options

3

	FXSQ20M8	FXSQ25M8	FXSQ32M8	FXSQ40M8	FXSQ50M8	FXSQ63M8	FXSQ80M8	FXSQ100M8	FXSQ125M8
DECORATION PANEL	BYBS32D			BYBS45D		BYBS71D		BYBS125D	
SERVICE ACCESS PANEL	-			KTBJ25K56W		KTBJ25K80W		KTBJ25K160W	
HIGH EFFICIENCY FILTER 65% (1)	-			KAFJ252L56		KAFJ252L80		KAFJ252L160	
HIGH EFFICIENCY FILTER 90% (1)	-			KAFJ253L56		KAFJ253L80		KAFJ253L160	
FILTER CHAMBER FOR BOTTOM SUCTION	-			KAJ25L56D		KAJ25L80D		KAJ25L160D	
FILTER CHAMBER FOR REAR SUCTION	-			KAJ25L56B		KAJ25L80B		KAJ25L160B	
AIR SUCTION CANVAS	-			KSA-25K56		KSA-25KA80		KSA-25K160	
SCREENING DOOR / BLIND BOARD	-			KBBJ25K56		KBBJ25K80		KBBJ25K160	
AIR DISCHARGE ADAPTER FOR ROUND DUCT	KDAJ25K36			KDAJ25K56		KDAJ25K71		KDAJ25K140	

3TW25689-1E

**NOTES**

- 1 If installing a high efficiency filter in the unit, an assembly chamber for either bottom or rear suction is required.

## 4 Control systems

### Individual control systems

	FXSQ20M8	FXSQ25M8	FXSQ32M8	FXSQ40M8	FXSQ50M8	FXSQ63M8	FXSQ80M8	FXSQ100M8	FXSQ125M8
WIRED REMOTE CONTROL					BRC1D52				
INFRARED REMOTE CONTROL	Heat pump				BRC4C62				
	Cooling only				BRC4C64				
SIMPLIFIED REMOTE CONTROL					BRC2A51				
REMOTE CONTROL FOR HOTEL USE					BRC3A61				

### Centralised control systems

	FXSQ20M8	FXSQ25M8	FXSQ32M8	FXSQ40M8	FXSQ50M8	FXSQ63M8	FXSQ80M8	FXSQ100M8	FXSQ125M8
CENTRALISED REMOTE CONTROL					DCS302C51				
UNIFIED ON/OFF CONTROL					DCS301B51				
SCHEDULE TIMER					DST301B51				

### Others

	FXSQ20M8	FXSQ25M8	FXSQ32M8	FXSQ40M8	FXSQ50M8	FXSQ63M8	FXSQ80M8	FXSQ100M8	FXSQ125M8
WIRING ADAPTER FOR ELECTRICAL APPENDICES (1)					KRP2A51				
WIRING ADAPTER FOR ELECTRICAL APPENDICES (2)					KRP4A51				
REMOTE SENSOR					KRCS01-1				
ELECTRICAL BOX WITH EARTH TERMINAL (3 BLOCKS)					KJB311A				
ELECTRICAL BOX WITH EARTH TERMINAL (2 BLOCKS)					KJB212A				
NOISE FILTER (FOR ELECTROMAGNETIC INTERFACE USE ONLY)					KEK26-1A				
EXTERNAL CONTROL ADAPTER FOR OUTDOOR UNITS (INSTALLATION ON INDOOR UNIT)					DTA104A61				
OPTION PCB FOR EXTERNAL ELECTRIC HEATER, HUMIDIFIER AND/OR HOUR METER (*1) (*2) (*3)					EKRP1B2				

3TW25689-1E

#### NOTES

- 1 Electrical heater and humidifier are field supply. These parts should not be installed inside the equipment. (Cf. installation manual on EKRP1B2)
- 2 If installing an electric heater, an option PCB for external electric heater (EKRP1B2) per indoor unit is required
- 3 An electric heater cannot be used for VRV system cooling only

# 5 Capacity tables

## 5 - 1 Cooling capacity tables

5

### FXSQ-M8

TC: Total capacity,kW – SHC: Sensible capacity,kW

Unit size	Nominal capacity	Outdoor air temp.	Indoor air temperature													
			14.0WB		16.0WB		18.0WB		19.0WB		20.0WB		22.0WB		24.0WB	
			20.0DB		23.0DB		26.0DB		27.0DB		28.0DB		30.0DB		32.0DB	
°CDB		TC	SHC	TC	SHC	TC	SHC	TC	SHC	TC	SHC	TC	SHC	TC	SHC	
20	2.2	10.0	1.5	1.4	1.8	1.6	2.1	1.7	2.2	1.8	2.3	1.9	2.6	1.9	2.9	1.9
		12.0	1.5	1.4	1.8	1.6	2.1	1.7	2.2	1.8	2.3	1.9	2.6	1.9	2.9	1.9
		14.0	1.5	1.4	1.8	1.6	2.1	1.7	2.2	1.8	2.3	1.9	2.6	1.9	2.8	1.9
		16.0	1.5	1.4	1.8	1.6	2.1	1.7	2.2	1.8	2.3	1.9	2.6	1.9	2.8	1.8
		18.0	1.5	1.4	1.8	1.6	2.1	1.7	2.2	1.8	2.3	1.9	2.6	1.9	2.7	1.8
		20.0	1.5	1.4	1.8	1.6	2.1	1.7	2.2	1.8	2.3	1.9	2.6	1.9	2.7	1.8
		21.0	1.5	1.4	1.8	1.6	2.1	1.7	2.2	1.8	2.3	1.9	2.6	1.9	2.7	1.8
		23.0	1.5	1.4	1.8	1.6	2.1	1.7	2.2	1.8	2.3	1.9	2.6	1.9	2.6	1.7
		25.0	1.5	1.4	1.8	1.6	2.1	1.7	2.2	1.8	2.3	1.9	2.6	1.8	2.6	1.7
		27.0	1.5	1.4	1.8	1.6	2.1	1.7	2.2	1.8	2.3	1.9	2.5	1.8	2.6	1.7
		29.0	1.5	1.4	1.8	1.6	2.1	1.7	2.2	1.8	2.3	1.9	2.5	1.8	2.5	1.7
		31.0	1.5	1.4	1.8	1.6	2.1	1.7	2.2	1.8	2.3	1.9	2.4	1.8	2.5	1.7
		33.0	1.5	1.4	1.8	1.6	2.1	1.7	2.2	1.8	2.3	1.9	2.4	1.8	2.5	1.7
35.0	1.5	1.4	1.8	1.6	2.1	1.7	2.2	1.8	2.3	1.8	2.4	1.8	2.4	1.7		
37.0	1.5	1.4	1.8	1.6	2.1	1.7	2.2	1.8	2.3	1.8	2.3	1.8	2.4	1.7		
39.0	1.5	1.4	1.8	1.6	2.1	1.7	2.2	1.8	2.2	1.8	2.3	1.7	2.3	1.6		
25	2.8	10.0	1.9	1.7	2.3	1.9	2.6	2.0	2.8	2.1	3.0	2.2	3.4	2.3	3.7	2.3
		12.0	1.9	1.7	2.3	1.9	2.6	2.0	2.8	2.1	3.0	2.2	3.4	2.3	3.6	2.2
		14.0	1.9	1.7	2.3	1.9	2.6	2.0	2.8	2.1	3.0	2.2	3.4	2.3	3.6	2.2
		16.0	1.9	1.7	2.3	1.9	2.6	2.0	2.8	2.1	3.0	2.2	3.4	2.3	3.5	2.2
		18.0	1.9	1.7	2.3	1.9	2.6	2.0	2.8	2.1	3.0	2.2	3.4	2.3	3.5	2.2
		20.0	1.9	1.7	2.3	1.9	2.6	2.0	2.8	2.1	3.0	2.2	3.4	2.3	3.4	2.1
		21.0	1.9	1.7	2.3	1.9	2.6	2.0	2.8	2.1	3.0	2.2	3.4	2.3	3.4	2.1
		23.0	1.9	1.7	2.3	1.9	2.6	2.0	2.8	2.1	3.0	2.2	3.3	2.2	3.4	2.1
		25.0	1.9	1.7	2.3	1.9	2.6	2.0	2.8	2.1	3.0	2.2	3.3	2.2	3.3	2.1
		27.0	1.9	1.7	2.3	1.9	2.6	2.0	2.8	2.1	3.0	2.2	3.2	2.2	3.3	2.1
		29.0	1.9	1.7	2.3	1.9	2.6	2.0	2.8	2.1	3.0	2.2	3.2	2.2	3.2	2.0
		31.0	1.9	1.7	2.3	1.9	2.6	2.0	2.8	2.1	3.0	2.2	3.1	2.1	3.2	2.0
		33.0	1.9	1.7	2.3	1.9	2.6	2.0	2.8	2.1	3.0	2.2	3.1	2.1	3.1	2.0
35.0	1.9	1.7	2.3	1.9	2.6	2.0	2.8	2.1	3.0	2.2	3.0	2.1	3.1	2.0		
37.0	1.9	1.7	2.3	1.9	2.6	2.0	2.8	2.1	2.9	2.2	3.0	2.1	3.0	2.0		
39.0	1.9	1.7	2.3	1.9	2.6	2.0	2.8	2.1	2.9	2.2	2.9	2.1	3.0	2.0		
32	3.6	10.0	2.4	2.0	2.9	2.3	3.4	2.5	3.6	2.5	3.8	2.7	4.3	2.8	4.7	2.8
		12.0	2.4	2.0	2.9	2.3	3.4	2.5	3.6	2.5	3.8	2.7	4.3	2.8	4.7	2.7
		14.0	2.4	2.0	2.9	2.3	3.4	2.5	3.6	2.5	3.8	2.7	4.3	2.8	4.6	2.7
		16.0	2.4	2.0	2.9	2.3	3.4	2.5	3.6	2.5	3.8	2.7	4.3	2.8	4.6	2.7
		18.0	2.4	2.0	2.9	2.3	3.4	2.5	3.6	2.5	3.8	2.7	4.3	2.8	4.5	2.6
		20.0	2.4	2.0	2.9	2.3	3.4	2.5	3.6	2.5	3.8	2.7	4.3	2.8	4.4	2.6
		21.0	2.4	2.0	2.9	2.3	3.4	2.5	3.6	2.5	3.8	2.7	4.3	2.8	4.4	2.6
		23.0	2.4	2.0	2.9	2.3	3.4	2.5	3.6	2.5	3.8	2.7	4.2	2.7	4.3	2.6
		25.0	2.4	2.0	2.9	2.3	3.4	2.5	3.6	2.5	3.8	2.7	4.2	2.7	4.3	2.5
		27.0	2.4	2.0	2.9	2.3	3.4	2.5	3.6	2.5	3.8	2.7	4.1	2.6	4.2	2.5
		29.0	2.4	2.0	2.9	2.3	3.4	2.5	3.6	2.5	3.8	2.7	4.1	2.6	4.2	2.5
		31.0	2.4	2.0	2.9	2.3	3.4	2.5	3.6	2.5	3.8	2.7	4.0	2.6	4.1	2.5
		33.0	2.4	2.0	2.9	2.3	3.4	2.5	3.6	2.5	3.8	2.7	3.9	2.6	4.0	2.4
35.0	2.4	2.0	2.9	2.3	3.4	2.5	3.6	2.5	3.8	2.7	3.9	2.6	4.0	2.4		
37.0	2.4	2.0	2.9	2.3	3.4	2.5	3.6	2.5	3.7	2.7	3.8	2.5	3.9	2.4		
39.0	2.4	2.0	2.9	2.3	3.4	2.5	3.6	2.6	3.7	2.6	3.8	2.5	3.8	2.4		
40	4.5	10.0	3.0	2.6	3.6	3.0	4.2	3.2	4.5	3.3	4.8	3.6	5.4	3.3	5.9	3.6
		12.0	3.0	2.6	3.6	3.0	4.2	3.2	4.5	3.3	4.8	3.6	5.4	3.3	5.8	3.6
		14.0	3.0	2.6	3.6	3.0	4.2	3.2	4.5	3.3	4.8	3.6	5.4	3.3	5.8	3.5
		16.0	3.0	2.6	3.6	3.0	4.2	3.2	4.5	3.3	4.8	3.6	5.4	3.3	5.7	3.5
		18.0	3.0	2.6	3.6	3.0	4.2	3.2	4.5	3.3	4.8	3.6	5.4	3.3	5.6	3.5
		20.0	3.0	2.6	3.6	3.0	4.2	3.2	4.5	3.3	4.8	3.6	5.4	3.3	5.5	3.4
		21.0	3.0	2.6	3.6	3.0	4.2	3.2	4.5	3.3	4.8	3.6	5.4	3.3	5.5	3.4
		23.0	3.0	2.6	3.6	3.0	4.2	3.2	4.5	3.3	4.8	3.6	5.3	3.3	5.4	3.4
		25.0	3.0	2.6	3.6	3.0	4.2	3.2	4.5	3.3	4.8	3.6	5.2	3.2	5.3	3.3
		27.0	3.0	2.6	3.6	3.0	4.2	3.2	4.5	3.3	4.8	3.6	5.2	3.2	5.3	3.3
		29.0	3.0	2.6	3.6	3.0	4.2	3.2	4.5	3.3	4.8	3.6	5.1	3.2	5.2	3.3
		31.0	3.0	2.6	3.6	3.0	4.2	3.2	4.5	3.3	4.8	3.6	5.0	3.1	5.1	3.2
		33.0	3.0	2.6	3.6	3.0	4.2	3.2	4.5	3.3	4.8	3.6	4.9	3.1	5.0	3.2
35.0	3.0	2.6	3.6	3.0	4.2	3.2	4.5	3.3	4.7	3.6	4.9	3.1	5.0	3.2		
37.0	3.0	2.6	3.6	3.0	4.2	3.2	4.5	3.3	4.7	3.5	4.8	3.0	4.9	3.1		
39.0	3.0	2.6	3.6	3.0	4.2	3.2	4.5	3.3	4.6	3.5	4.7	3.0	4.8	3.1		

3TW25682-1

# 5 Capacity tables

## 5 - 1 Cooling capacity tables

FXSQ-M8			Indoor air temperature														TC: Total capacity;KW - SHC: Sensible capacity;KW	
Unit size	Nominal capacity	Outdoor air temp. °CDB	14.OWB 20.ODB		16.OWB 23.ODB		18.OWB 26.ODB		19.OWB 27.ODB		20.OWB 28.ODB		22.OWB 30.ODB		24.OWB 32.ODB			
			TC	SHC	TC	SHC	TC	SHC	TC	SHC	TC	SHC	TC	SHC	TC	SHC		
			50	5.6	10.0	3.8	3.2	4.5	3.7	5.2	3.9	5.6	4.1	6.0	4.3	6.7	4.0	7.4
125	14.0	10.0	9.5	7.8	11.3	8.9	13.1	9.6	14.0	9.9	14.9	10.3	16.8	10.7	18.4	11.0		

3TW25682-1

# 5 Capacity tables

## 5 - 2 Heating capacity tables

5

FXSQ-M8										
Unit Size	Nominal capacity	Outdoor air temperature		Indoor air temperature °CDB						
				16.0	18.0	20.0		21.0	22.0	24.0
		°CDB	°CWB	kW	kW	kW	kW	kW	kW	kW
20	2.5	-19.8	-20.0	1.5	1.5	1.5	1.5	1.5	1.5	1.5
		-18.8	-19.0	1.5	1.5	1.5	1.5	1.5	1.5	1.5
		-16.7	-17.0	1.6	1.6	1.6	1.6	1.6	1.6	1.6
		-14.7	-15.0	1.7	1.7	1.7	1.7	1.7	1.7	1.7
		-12.6	-13.0	1.8	1.8	1.8	1.8	1.8	1.8	1.8
		-10.5	-11.0	1.9	1.9	1.9	1.9	1.9	1.9	1.9
		-9.5	-10.0	1.9	1.9	1.9	1.9	1.9	1.9	1.9
		-8.5	-9.1	2.0	2.0	1.9	1.9	1.9	1.9	1.9
		-7.0	-7.6	2.0	2.0	2.0	2.0	2.0	2.0	2.0
		-5.0	-5.6	2.1	2.1	2.1	2.1	2.1	2.1	2.1
		-3.0	-3.7	2.2	2.2	2.2	2.2	2.2	2.2	2.2
		0.0	-0.7	2.3	2.3	2.3	2.3	2.3	2.3	2.2
		3.0	2.2	2.5	2.5	2.4	2.4	2.3	2.3	2.2
		5.0	4.1	2.5	2.5	2.5	2.4	2.3	2.2	2.2
		7.0	6.0	2.6	2.6	2.5	2.4	2.3	2.2	2.2
		9.0	7.9	2.7	2.7	2.5	2.4	2.3	2.2	2.2
		11.0	9.8	2.8	2.7	2.5	2.4	2.3	2.2	2.2
13.0	11.8	2.8	2.7	2.5	2.4	2.3	2.2	2.2		
15.0	13.7	2.8	2.7	2.5	2.4	2.3	2.2	2.2		
25	3.2	-19.8	-20.0	1.9	1.9	1.9	1.9	1.9	1.9	1.9
		-18.8	-19.0	1.9	1.9	1.9	1.9	1.9	1.9	1.9
		-16.7	-17.0	2.1	2.1	2.0	2.0	2.0	2.0	2.0
		-14.7	-15.0	2.2	2.2	2.2	2.2	2.2	2.1	2.1
		-12.6	-13.0	2.3	2.3	2.3	2.3	2.3	2.3	2.3
		-10.5	-11.0	2.4	2.4	2.4	2.4	2.4	2.4	2.4
		-9.5	-10.0	2.5	2.4	2.4	2.4	2.4	2.4	2.4
		-8.5	-9.1	2.5	2.5	2.5	2.5	2.5	2.5	2.5
		-7.0	-7.6	2.6	2.6	2.6	2.6	2.6	2.6	2.6
		-5.0	-5.6	2.7	2.7	2.7	2.7	2.7	2.7	2.7
		-3.0	-3.7	2.8	2.8	2.8	2.8	2.8	2.8	2.8
		0.0	-0.7	3.0	3.0	3.0	3.0	3.0	2.8	2.8
		3.0	2.2	3.1	3.1	3.1	3.1	3.0	2.8	2.8
		5.0	4.1	3.3	3.2	3.2	3.1	3.0	2.8	2.8
		7.0	6.0	3.4	3.4	3.2	3.1	3.0	2.8	2.8
		9.0	7.9	3.5	3.4	3.2	3.1	3.0	2.8	2.8
		11.0	9.8	3.6	3.4	3.2	3.1	3.0	2.8	2.8
13.0	11.8	3.6	3.4	3.2	3.1	3.0	2.8	2.8		
15.0	13.7	3.6	3.4	3.2	3.1	3.0	2.8	2.8		
32	4.0	-19.8	-20.0	2.4	2.4	2.3	2.3	2.3	2.3	2.3
		-18.8	-19.0	2.4	2.4	2.4	2.4	2.4	2.4	2.4
		-16.7	-17.0	2.6	2.6	2.6	2.6	2.6	2.5	2.5
		-14.7	-15.0	2.7	2.7	2.7	2.7	2.7	2.7	2.7
		-12.6	-13.0	2.9	2.8	2.8	2.8	2.8	2.8	2.8
		-10.5	-11.0	3.0	3.0	3.0	3.0	3.0	3.0	3.0
		-9.5	-10.0	3.1	3.1	3.1	3.1	3.0	3.0	3.0
		-8.5	-9.1	3.1	3.1	3.1	3.1	3.1	3.1	3.1
		-7.0	-7.6	3.2	3.2	3.2	3.2	3.2	3.2	3.2
		-5.0	-5.6	3.4	3.4	3.4	3.4	3.4	3.4	3.4
		-3.0	-3.7	3.5	3.5	3.5	3.5	3.5	3.5	3.5
		0.0	-0.7	3.7	3.7	3.7	3.7	3.7	3.5	3.5
		3.0	2.2	3.9	3.9	3.9	3.9	3.7	3.5	3.5
		5.0	4.1	4.1	4.1	4.0	3.9	3.7	3.5	3.5
		7.0	6.0	4.2	4.2	4.0	3.9	3.7	3.5	3.5
		9.0	7.9	4.3	4.3	4.0	3.9	3.7	3.5	3.5
		11.0	9.8	4.5	4.3	4.0	3.9	3.7	3.5	3.5
13.0	11.8	4.5	4.3	4.0	3.9	3.7	3.5	3.5		
15.0	13.7	4.5	4.3	4.0	3.9	3.7	3.5	3.5		
40	5.0	-19.8	-20.0	3.0	2.9	2.9	2.9	2.9	2.9	2.9
		-18.8	-19.0	3.0	3.0	3.0	3.0	3.0	3.0	3.0
		-16.7	-17.0	3.2	3.2	3.2	3.2	3.2	3.2	3.2
		-14.7	-15.0	3.4	3.4	3.4	3.4	3.4	3.4	3.4
		-12.6	-13.0	3.6	3.6	3.6	3.5	3.5	3.5	3.5
		-10.5	-11.0	3.7	3.7	3.7	3.7	3.7	3.7	3.7
		-9.5	-10.0	3.8	3.8	3.8	3.8	3.8	3.8	3.8
		-8.5	-9.1	3.9	3.9	3.9	3.9	3.9	3.9	3.9
		-7.0	-7.6	4.0	4.0	4.0	4.0	4.0	4.0	4.0
		-5.0	-5.6	4.2	4.2	4.2	4.2	4.2	4.2	4.2
		-3.0	-3.7	4.4	4.4	4.4	4.4	4.4	4.4	4.4
		0.0	-0.7	4.7	4.6	4.6	4.6	4.6	4.4	4.4
		3.0	2.2	4.9	4.9	4.9	4.8	4.7	4.4	4.4
		5.0	4.1	5.1	5.1	5.0	4.8	4.7	4.4	4.4
		7.0	6.0	5.2	5.2	5.0	4.8	4.7	4.4	4.4
		9.0	7.9	5.4	5.3	5.0	4.8	4.7	4.4	4.4
		11.0	9.8	5.6	5.3	5.0	4.8	4.7	4.4	4.4
13.0	11.8	5.6	5.3	5.0	4.8	4.7	4.4	4.4		
15.0	13.7	5.6	5.3	5.0	4.8	4.7	4.4	4.4		

3TW25512-2

# 5 Capacity tables

## 5 - 2 Heating capacity tables

FXSQ-M8									
Unit Size	Nominal capacity	Outdoor air temperature		Indoor air temperature °CDB					
				16.0	18.0	20.0	21.0	22.0	24.0
		°CDB	°CWB	KW	KW	KW	KW	KW	KW
50	63	-19.8	-20.0	3.7	3.7	3.7	3.7	3.7	3.7
		-18.8	-19.0	3.8	3.8	3.8	3.8	3.8	3.8
		-16.7	-17.0	4.1	4.0	4.0	4.0	4.0	4.0
		-14.7	-15.0	4.3	4.3	4.3	4.2	4.2	4.2
		-12.6	-13.0	4.5	4.5	4.5	4.5	4.5	4.5
		-10.5	-11.0	4.7	4.7	4.7	4.7	4.7	4.7
		-9.5	-10.0	4.8	4.8	4.8	4.8	4.8	4.8
		-8.5	-9.1	4.9	4.9	4.9	4.9	4.9	4.9
		-7.0	-7.6	5.1	5.1	5.1	5.1	5.1	5.1
		-5.0	-5.6	5.3	5.3	5.3	5.3	5.3	5.3
		-3.0	-3.7	5.5	5.5	5.5	5.5	5.5	5.5
		0.0	-0.7	5.9	5.9	5.8	5.8	5.8	5.5
		3.0	2.2	6.2	6.2	6.2	6.1	5.9	5.5
		5.0	4.1	6.4	6.4	6.3	6.1	5.9	5.5
		7.0	6.0	6.6	6.6	6.3	6.1	5.9	5.5
		9.0	7.9	6.8	6.7	6.3	6.1	5.9	5.5
		11.0	9.8	7.0	6.7	6.3	6.1	5.9	5.5
13.0	11.8	7.1	6.7	6.3	6.1	5.9	5.5		
15.0	13.7	7.1	6.7	6.3	6.1	5.9	5.5		
63	80	-19.8	-20.0	4.7	4.7	4.7	4.7	4.7	4.7
		-18.8	-19.0	4.9	4.9	4.8	4.8	4.8	4.8
		-16.7	-17.0	5.1	5.1	5.1	5.1	5.1	5.1
		-14.7	-15.0	5.4	5.4	5.4	5.4	5.4	5.4
		-12.6	-13.0	5.7	5.7	5.7	5.7	5.7	5.7
		-10.5	-11.0	6.0	6.0	6.0	6.0	6.0	5.9
		-9.5	-10.0	6.1	6.1	6.1	6.1	6.1	6.1
		-8.5	-9.1	6.3	6.3	6.2	6.2	6.2	6.2
		-7.0	-7.6	6.5	6.5	6.4	6.4	6.4	6.4
		-5.0	-5.6	6.8	6.7	6.7	6.7	6.7	6.7
		-3.0	-3.7	7.0	7.0	7.0	7.0	7.0	7.0
		0.0	-0.7	7.5	7.4	7.4	7.4	7.4	7.0
		3.0	2.2	7.9	7.8	7.8	7.7	7.5	7.0
		5.0	4.1	8.1	8.1	8.0	7.7	7.5	7.0
		7.0	6.0	8.4	8.4	8.0	7.7	7.5	7.0
		9.0	7.9	8.7	8.5	8.0	7.7	7.5	7.0
		11.0	9.8	8.9	8.5	8.0	7.7	7.5	7.0
13.0	11.8	9.0	8.5	8.0	7.7	7.5	7.0		
15.0	13.7	9.0	8.5	8.0	7.7	7.5	7.0		
80	100	-19.8	-20.0	5.9	5.9	5.9	5.9	5.9	5.8
		-18.8	-19.0	6.1	6.1	6.0	6.0	6.0	6.0
		-16.7	-17.0	6.4	6.4	6.4	6.4	6.4	6.4
		-14.7	-15.0	6.8	6.8	6.8	6.7	6.7	6.7
		-12.6	-13.0	7.1	7.1	7.1	7.1	7.1	7.1
		-10.5	-11.0	7.5	7.5	7.5	7.5	7.4	7.4
		-9.5	-10.0	7.7	7.7	7.6	7.6	7.6	7.6
		-8.5	-9.1	7.8	7.8	7.8	7.8	7.8	7.8
		-7.0	-7.6	8.1	8.1	8.1	8.1	8.0	8.0
		-5.0	-5.6	8.4	8.4	8.4	8.4	8.4	8.4
		-3.0	-3.7	8.8	8.8	8.7	8.7	8.7	8.7
		0.0	-0.7	9.3	9.3	9.3	9.3	9.3	8.7
		3.0	2.2	9.8	9.8	9.8	9.7	9.4	8.7
		5.0	4.1	10.2	10.1	10.0	9.7	9.4	8.7
		7.0	6.0	10.5	10.5	10.0	9.7	9.4	8.7
		9.0	7.9	10.8	10.6	10.0	9.7	9.4	8.7
		11.0	9.8	11.2	10.6	10.0	9.7	9.4	8.7
13.0	11.8	11.3	10.6	10.0	9.7	9.4	8.7		
15.0	13.7	11.3	10.6	10.0	9.7	9.4	8.7		
100	125	-19.8	-20.0	7.4	7.4	7.3	7.3	7.3	7.3
		-18.8	-19.0	7.6	7.6	7.6	7.5	7.5	7.5
		-16.7	-17.0	8.0	8.0	8.0	8.0	8.0	8.0
		-14.7	-15.0	8.5	8.5	8.4	8.4	8.4	8.4
		-12.6	-13.0	8.9	8.9	8.9	8.9	8.9	8.8
		-10.5	-11.0	9.4	9.3	9.3	9.3	9.3	9.3
		-9.5	-10.0	9.6	9.6	9.5	9.5	9.5	9.5
		-8.5	-9.1	9.8	9.8	9.7	9.7	9.7	9.7
		-7.0	-7.6	10.1	10.1	10.1	10.1	10.1	10.0
		-5.0	-5.6	10.6	10.5	10.5	10.5	10.5	10.5
		-3.0	-3.7	11.0	11.0	10.9	10.9	10.9	10.9
		0.0	-0.7	11.6	11.6	11.6	11.6	11.6	10.9
		3.0	2.2	12.3	12.3	12.2	12.1	11.7	10.9
		5.0	4.1	12.7	12.7	12.5	12.1	11.7	10.9
		7.0	6.0	13.1	13.1	12.5	12.1	11.7	10.9
		9.0	7.9	13.5	13.3	12.5	12.1	11.7	10.9
		11.0	9.8	14.0	13.3	12.5	12.1	11.7	10.9
13.0	11.8	14.1	13.3	12.5	12.1	11.7	10.9		
15.0	13.7	14.1	13.3	12.5	12.1	11.7	10.9		
125	160	-19.8	-20.0	9.4	9.4	9.4	9.4	9.4	9.3
		-18.8	-19.0	9.7	9.7	9.7	9.7	9.6	9.6
		-16.7	-17.0	10.3	10.3	10.2	10.2	10.2	10.2
		-14.7	-15.0	10.9	10.8	10.8	10.8	10.8	10.7
		-12.6	-13.0	11.4	11.4	11.4	11.4	11.3	11.3
		-10.5	-11.0	12.0	12.0	11.9	11.9	11.9	11.9
		-9.5	-10.0	12.3	12.2	12.2	12.2	12.2	12.2
		-8.5	-9.1	12.5	12.5	12.5	12.5	12.4	12.4
		-7.0	-7.6	13.0	12.9	12.9	12.9	12.9	12.8
		-5.0	-5.6	13.5	13.5	13.5	13.4	13.4	13.4
		-3.0	-3.7	14.1	14.0	14.0	14.0	14.0	13.9
		0.0	-0.7	14.9	14.9	14.8	14.8	14.8	13.9
		3.0	2.2	15.7	15.7	15.7	15.5	15.0	13.9
		5.0	4.1	16.3	16.2	16.0	15.5	15.0	13.9
		7.0	6.0	16.8	16.8	16.0	15.5	15.0	13.9
		9.0	7.9	17.3	17.0	16.0	15.5	15.0	13.9
		11.0	9.8	17.9	17.0	16.0	15.5	15.0	13.9
13.0	11.8	18.1	17.0	16.0	15.5	15.0	13.9		
15.0	13.7	18.1	17.0	16.0	15.5	15.0	13.9		

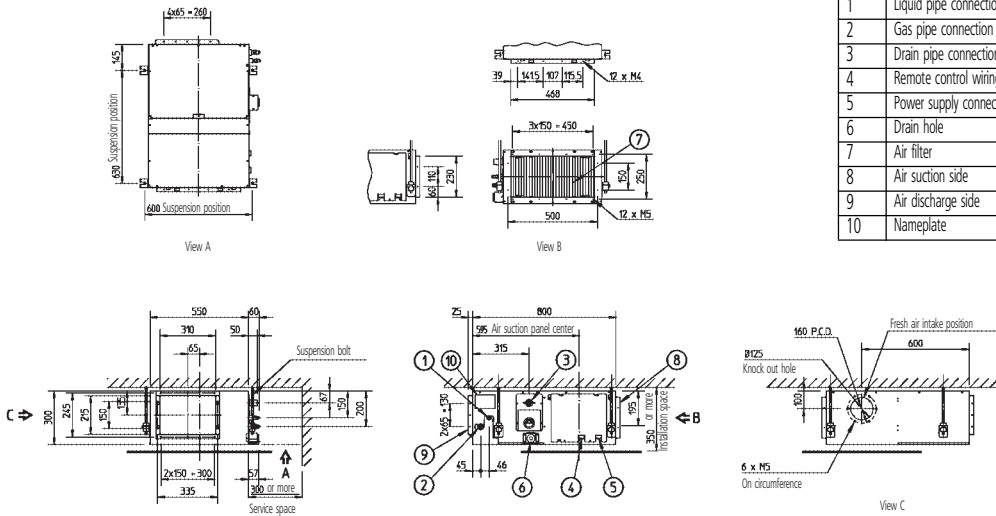
3TW25512-2

# 6 Dimensional drawing & centre of gravity

## 6 - 1 Dimensional drawing

6

### FXSQ20,25,32M8



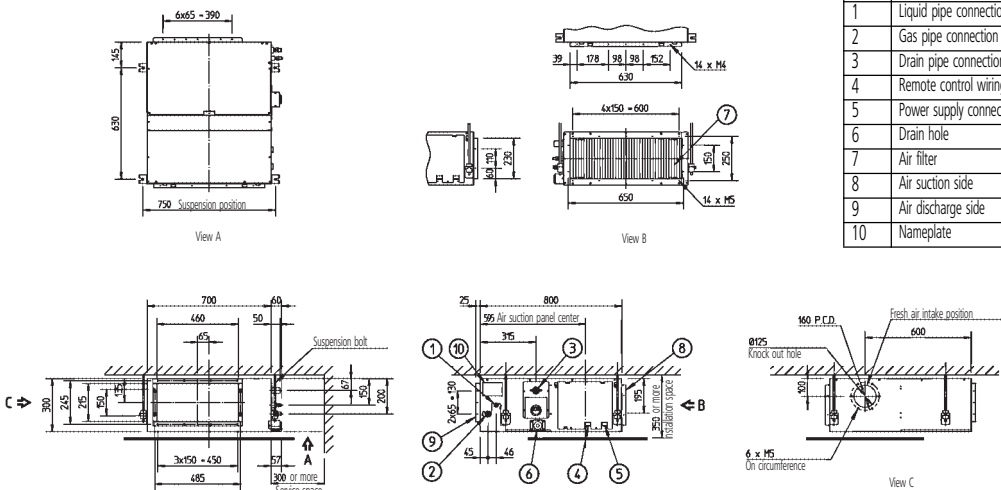
Nr.	Name	Description
1	Liquid pipe connection	ø6.4 flare connection
2	Gas pipe connection	ø12.7 flare connection
3	Drain pipe connection	VP25 (O.D. ø32, I.D. ø25)
4	Remote control wiring connection	
5	Power supply connection	
6	Drain hole	VP25 (O.D. ø32, I.D. ø25)
7	Air filter	
8	Air suction side	
9	Air discharge side	
10	Nameplate	

#### NOTES

- 1 Refer to 'outlook drawing for installing optional accessories' when installing optional accessories.
- 2 The required ceiling depth varies according to the configuration of the specific system.
- 3 For maintenance of the air filter it is necessary to provide a service access panel according to the installation method. (Refer to the 'filter installation method' drawing).

3TW25684-1

### FXSQ40,50M8



Nr.	Name	Description
1	Liquid pipe connection	ø6.4 flare connection
2	Gas pipe connection	ø12.7 flare connection
3	Drain pipe connection	VP25 (O.D. ø32, I.D. ø25)
4	Remote control wiring connection	
5	Power supply connection	
6	Drain hole	VP25 (O.D. ø32, I.D. ø25)
7	Air filter	
8	Air suction side	
9	Air discharge side	
10	Nameplate	

#### NOTES

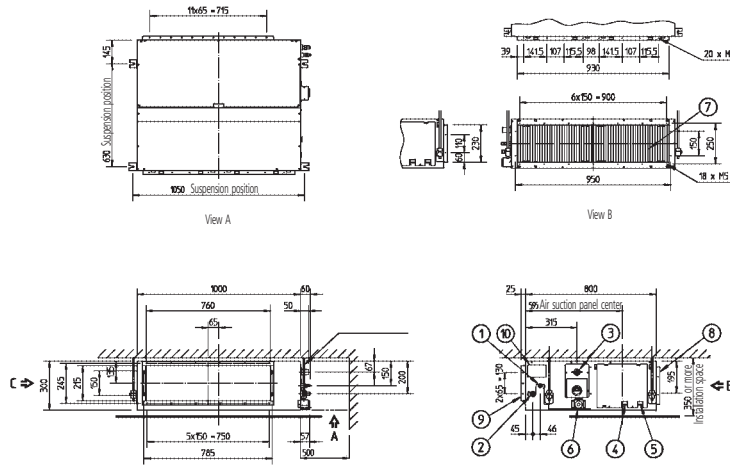
- 1 Refer to 'outlook drawing for installing optional accessories' when installing optional accessories.
- 2 The required ceiling depth varies according to the configuration of the specific system.
- 3 For maintenance of the air filter it is necessary to provide a service access panel according to the installation method. (Refer to the 'filter installation method' drawing).

3TW25714-1

# 6 Dimensional drawing & centre of gravity

## 6 - 1 Dimensional drawing

### FXSQ63M8



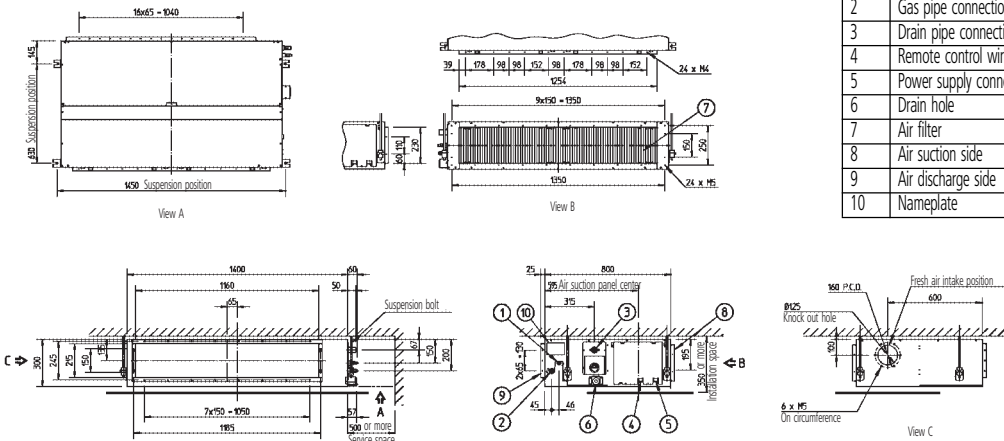
Nr.	Name	Description
1	Liquid pipe connection	ø9.5 flare connection
2	Gas pipe connection	ø15.9 flare connection
3	Drain pipe connection	VP25 (O.D. ø32, I.D. ø25)
4	Remote control wiring connection	
5	Power supply connection	
6	Drain hole	VP25 (O.D. ø32, I.D. ø25)
7	Air filter	
8	Air suction side	
9	Air discharge side	
10	Nameplate	

### NOTES

- 1 Refer to 'outlook drawing for installing optional accessories' when installing optional accessories.
- 2 The required ceiling depth varies according to the configuration of the specific system.
- 3 For maintenance of the air filter it is necessary to provide a service access panel according to the installation method. (Refer to the 'filter installation method' drawing).

3TW25734-1

### FXSQ80,100,125M8



Nr.	Name	Description
1	Liquid pipe connection	ø9.5 flare connection
2	Gas pipe connection	ø15.9 flare connection
3	Drain pipe connection	VP25 (O.D. ø32, I.D. ø25)
4	Remote control wiring connection	
5	Power supply connection	
6	Drain hole	VP25 (O.D. ø32, I.D. ø25)
7	Air filter	
8	Air suction side	
9	Air discharge side	
10	Nameplate	

### NOTES

- 1 Refer to 'outlook drawing for installing optional accessories' when installing optional accessories.
- 2 The required ceiling depth varies according to the configuration of the specific system.
- 3 For maintenance of the air filter it is necessary to provide a service access panel according to the installation method. Refer to the 'filter installation method' drawing).

3TW25744-1

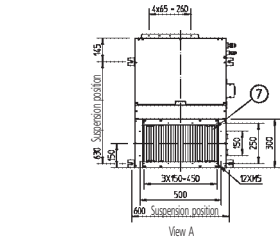


# 6 Dimensional drawing & centre of gravity

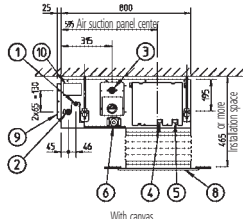
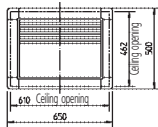
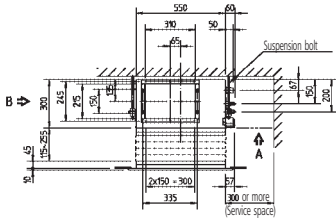
## 6 - 1 Dimensional drawing

6

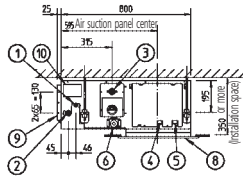
### FXSQ20,25,32M8



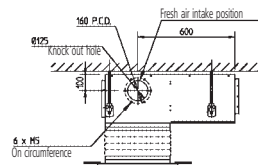
View A



With canvas



With flange



View F

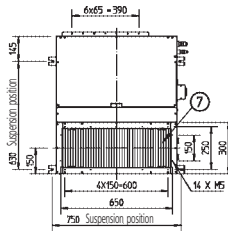
Nr.	Name	Description
1	Liquid pipe connection	ø6.4 flare connection
2	Gas pipe connection	ø12.7 flare connection
3	Drain pipe connection	VP25 (O.D. ø32, I.D. ø25)
4	Remote control wiring connection	
5	Power supply connection	
6	Drain hole	VP25 (O.D. ø32, I.D. ø25)
7	Air filter	
8	Air suction side	
9	Air discharge side	
10	Nameplate	

#### NOTES

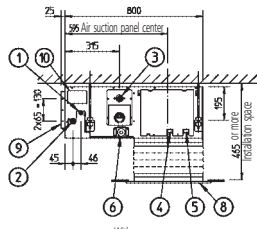
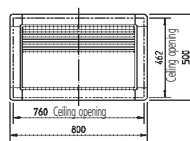
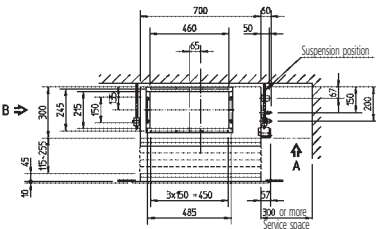
- Refer to 'outlook drawing for installing optional accessories' when installing optional accessories.
- Optional decoration panel: BYBS32DJW1 (light ivory white 10Y9/0.5).
- The required ceiling depth varies according to the configuration of specific system.

3TW25684-2

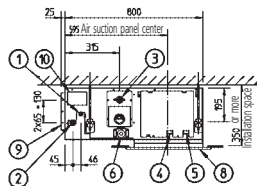
### FXSQ40-50M8



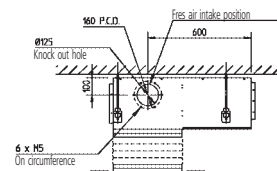
View A



With canvas



With flange



View F

Nr.	Name	Description
1	Liquid pipe connection	ø6.4 flare connection
2	Gas pipe connection	ø12.7 flare connection
3	Drain pipe connection	VP25 (O.D. ø32, I.D. ø25)
4	Remote control wiring connection	
5	Power supply connection	
6	Drain hole	VP25 (O.D. ø32, I.D. ø25)
7	Air filter	
8	Air suction side	
9	Air discharge side	
10	Nameplate	

#### NOTES

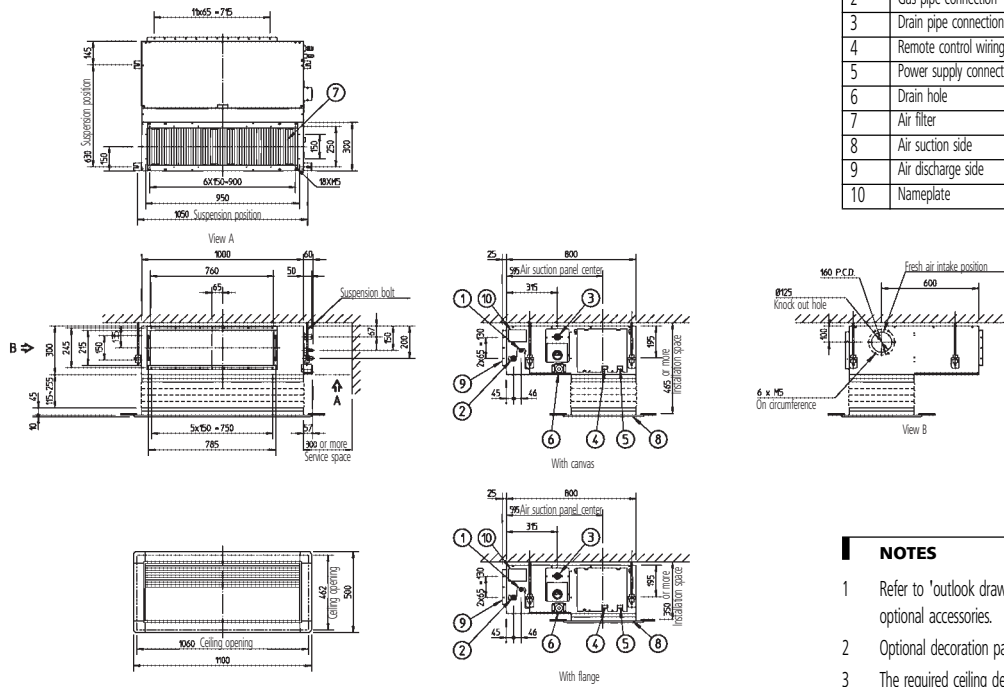
- Refer to 'outlook drawing for installing optional accessories' when installing optional accessories.
- Optional decoration panel: BYBS45DJW1 (light ivory white 10Y9/0.5).
- The required ceiling depth varies according to the configuration of specific system.

3TW25714-2

# 6 Dimensional drawing & centre of gravity

## 6 - 1 Dimensional drawing

### FXSQ63M8



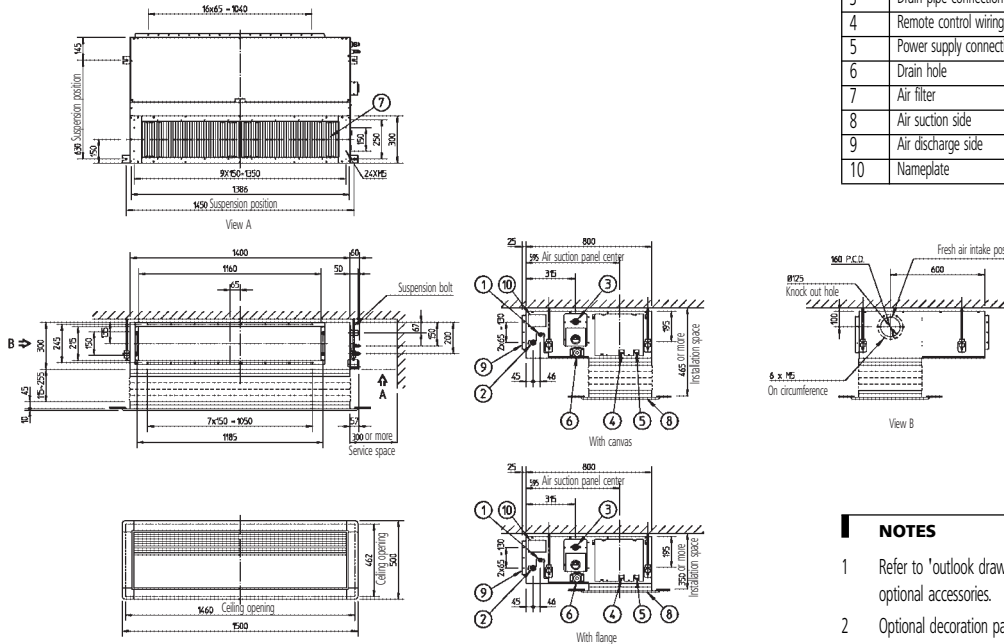
Nr.	Name	Description
1	Liquid pipe connection	ø9.5 flare connection
2	Gas pipe connection	ø15.9 flare connection
3	Drain pipe connection	VP25 (O.D. ø32, I.D. ø25)
4	Remote control wiring connection	
5	Power supply connection	
6	Drain hole	VP25 (O.D. ø32, I.D. ø25)
7	Air filter	
8	Air suction side	
9	Air discharge side	
10	Nameplate	

#### NOTES

- 1 Refer to 'outlook drawing for installing optional accessories' when installing optional accessories.
- 2 Optional decoration panel: BYBS71DJW1 (light ivory white 10Y9/0.5).
- 3 The required ceiling depth varies according to the configuration of specific system.

3TW25734-2

### FXSQ80,100,125M8



Nr.	Name	Description
1	Liquid pipe connection	ø9.5 flare connection
2	Gas pipe connection	ø15.9 flare connection
3	Drain pipe connection	VP25 (O.D. ø32, I.D. ø25)
4	Remote control wiring connection	
5	Power supply connection	
6	Drain hole	VP25 (O.D. ø32, I.D. ø25)
7	Air filter	
8	Air suction side	
9	Air discharge side	
10	Nameplate	

#### NOTES

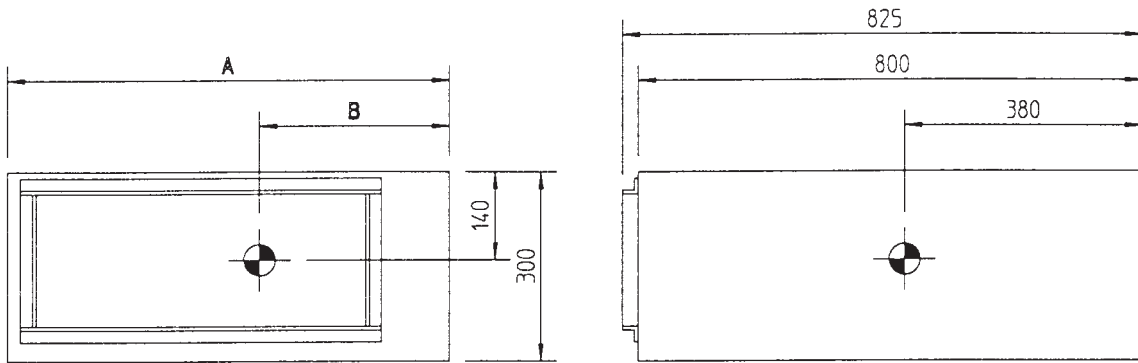
- 1 Refer to 'outlook drawing for installing optional accessories' when installing optional accessories.
- 2 Optional decoration panel: BYBS125JW1 (light ivory white 10Y9/0.5).
- 3 The required ceiling depth varies according to the configuration of specific system.

3TW25744-2

## 6 Dimensional drawing & centre of gravity

### 6 - 2 Centre of gravity

FXSQ-M8

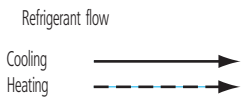
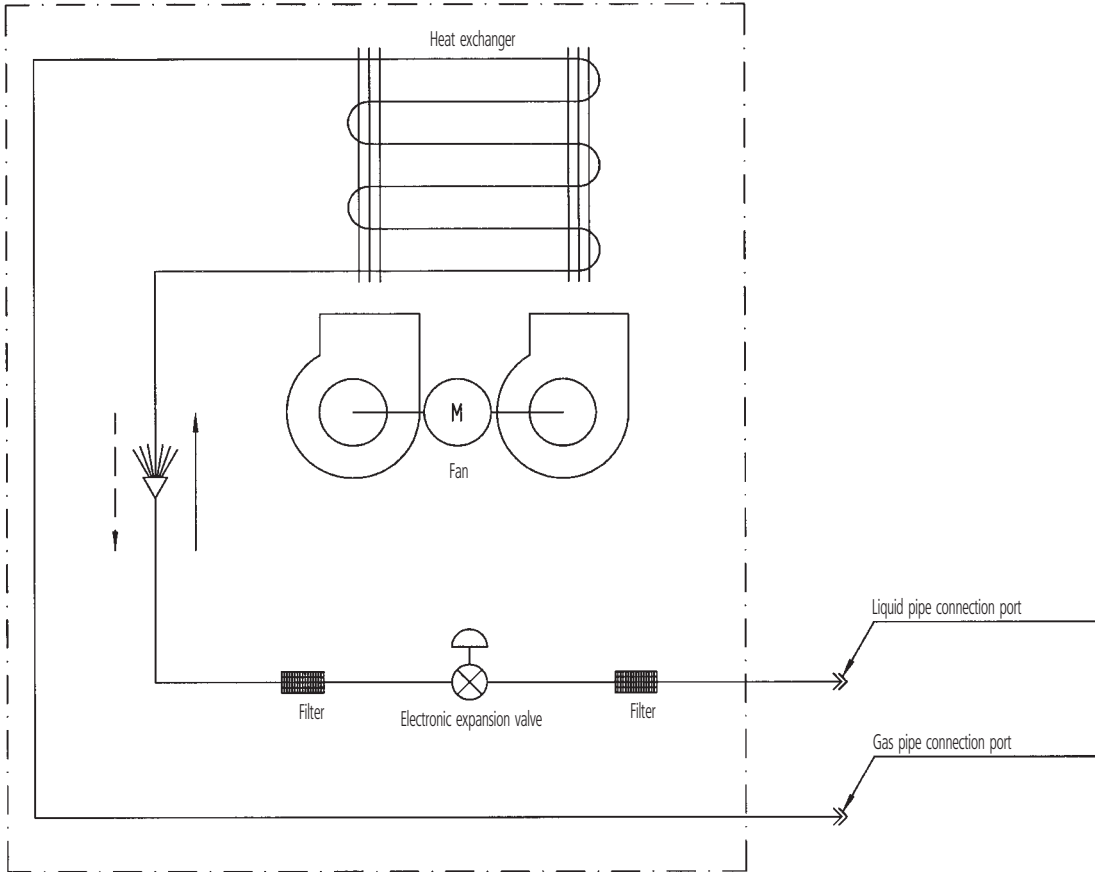


Model	A	B
FXSQ20,25,32M8	550	250
FXSQ40,50M8	700	300
FXSQ63M8	1,000	460
FXSQ80,100,125M8	1,400	640

4TW25689-2

# 7 Piping diagram

FXSQ-M8



Piping connection diameters

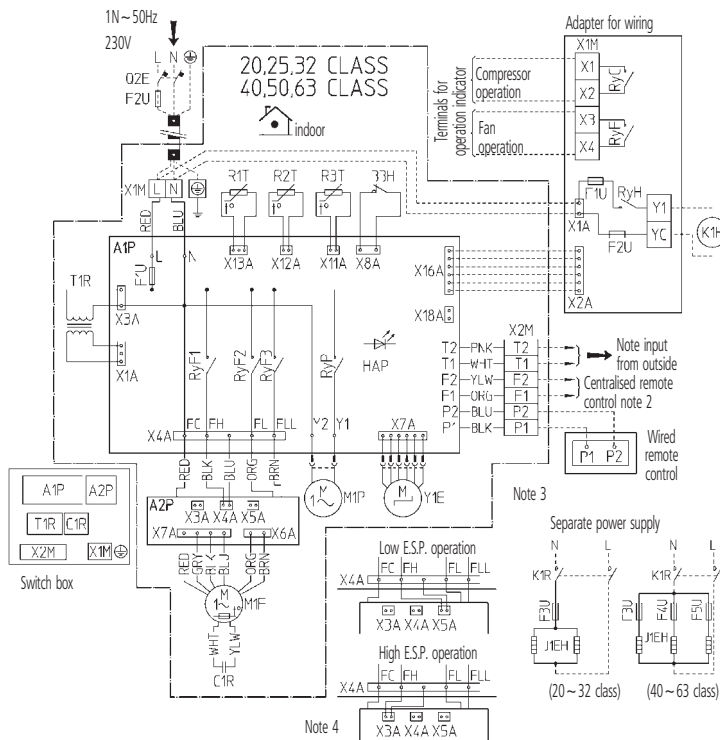
Model	gas	liquid
FXSQ20,25,32,40,50M8	ø 12.7	ø 6.4
FXSQ63,80,100,125M8	ø 15.9	ø 9.5

3TW21175-1C

# 8 Wiring diagram

## 8 - 1 Wiring diagram

FXSQ20,25,32,40,50,63M8



33H	Float switch	R2T, R3T	Thermistor (refrigerant)	Wiring adapter	
A1P	Printed circuit board	RyF1-3	Magnetic relay (fan)	RyC, RyF	Magnetic relay
A2P	Terminal board	RyP	Magnetic relay (drain pump)	RyH	Magnetic relay (J1EH)
C1R	Capacitor (fan)	T1R	Transformer (220-240V/22V)	F1U, F2U	Fuse (250V, 5A)
F1U	Fuse (250V, 10A)	X1M	Terminal strip (power)	X1A, X2A	Connector (wiring adapter)
F2U	Field fuse	X2M	Terminal strip (control)	X1M	Terminal strip
HAP	Light emitting diode (service monitor-green)	Y1E	Electronic expansion valve	Connector for optional parts	
M1F	Motor (fan)	Optional parts		X16A	Connector (wiring adapter)
M1P	Motor (drain pump)	F3-5U	Fuse (250V, 16A)	X18A	Connector (wiring adapter for electrical appendices)
QZE	Earth leak detector	J1EH	Electric heater		
R1T	Thermistor (air)	K1R	Magnetic relay (J1EH)		

□□□□ : Terminal  
 □○□, D- : Connector  
 ≡≡≡ : Field wiring

COLORS : BLK : Black      PNK : Pink  
 BLU : Blue            RED : Red  
 BRN : Brown        WHT : White  
 ORG : Orange        YLW : Yellow

### NOTES

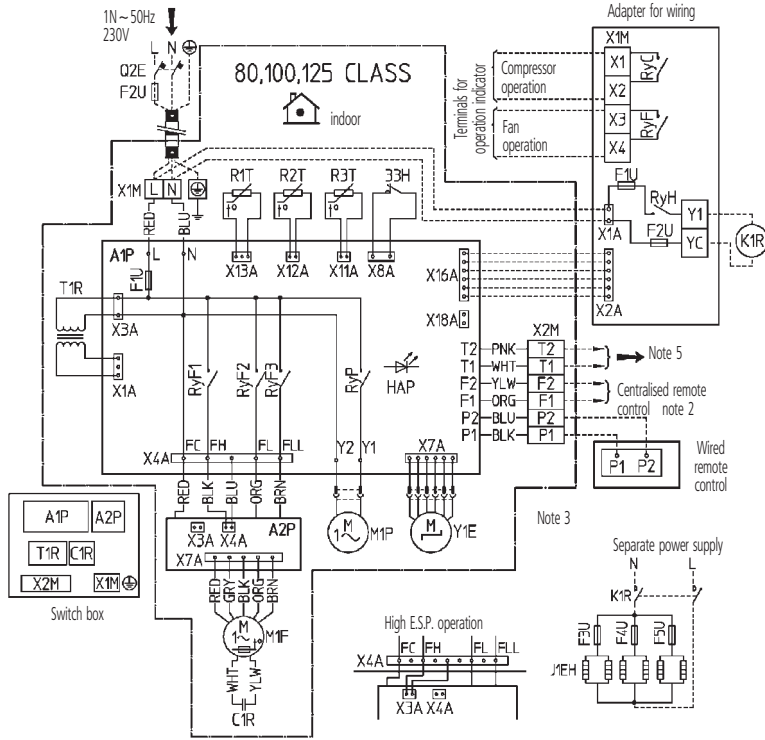
- 1 Use copper conductors only.
- 2 When using the centralised remote control, see manual for connection to the unit.
- 3 When installing the electric heater, change the wiring for the heater circuit. The main power supply has to be supplied independently.
- 4 For high or low E.S.P. operation, change the wiring connection of X4A as shown on the wiring diagram.
- 5 When connecting the input wires from outside, 'forced off' or 'ON/OFF' control operation can be selected by the remote control manual. See installation manual for more details.

2TW23686-1A

# 8 Wiring diagram

## 8 - 1 Wiring diagram

FXSQ80,100,125M8



33H	Float switch	R2T, R3T	Thermistor (refrigerant)	Wiring adapter	
A1P	Printed circuit board	RyF1-3	Magnetic relay (fan)	RyC, RyF	Magnetic relay
A2P	Terminal board	RyP	Magnetic relay (drain pump)	RyH	Magnetic relay (J1EH)
C1R	Capacitor (fan)	T1R	Transformer (220-27V)	F1U, F2U	Fuse (250V, 5A)
F1U	Fuse (250V, 10A)	X1M	Terminal strip (power)	X1A, X2A	Connector (wiring adapter)
F2U	Field fuse	X2M	Terminal strip (control)	X1M	Terminal strip
HAP	Light emitting diode (service monitor-green)	Y1E	Electronic expansion valve	Connector for optional parts	
M1F	Motor (fan)	Optional parts		X16A	Connector (wiring adapter)
M1P	Motor (drain pump)	F3-5U	Fuse (250V, 16A)	X18A	Connector (wiring adapter for electrical appendices)
Q2E	Earth leak detector	J1EH	Electric heater		
R1T	Thermistor (air)	K1R	Magnetic relay (J1EH)		

□ : Terminal  
 ○, D : Connector  
 -||- : Field wiring

COLORS : BLK : Black      PNK : Pink  
 BLU : Blue            RED : Red  
 BRN : Brown        WHT : White  
 ORG : Orange        YLW : Yellow

### NOTES

- Use copper conductors only.
- When using the centralised remote control, see manual for connection to the unit.
- When installing the electric heater, change the wiring for the heater circuit. The main power supply has to be supplied independently.
- For high or low E.S.P. operation, change the wiring connection of X4A as shown on the wiring diagram.
- When connecting the input wires from outside, forced off or ON/OFF control operation can be selected by the remote control manual. See installation manual for more details.

2TW23736-1A

## 9 Sound data

### 9 - 1 Sound level data

#### FXSQ-M8

Model	Sound pressure level - 230V		Measuring location	Sound power level
	H	L		
FXSQ20M8	32	28		50
FXSQ25M8	32	28		50
FXSQ32M8	33	28		51
FXSQ40M8	33	29		56
FXSQ50M8	35	31		58
FXSQ63M8	35	30		56
FXSQ80M8	37	31		55
FXSQ100M8	38	33		56
FXSQ125M8	40	35		65

#### NOTES

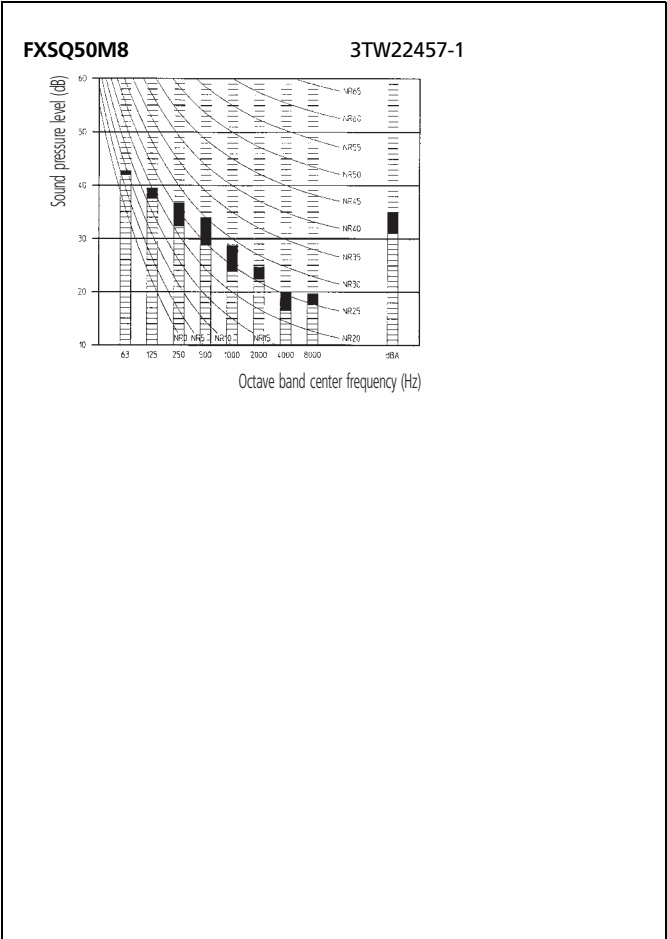
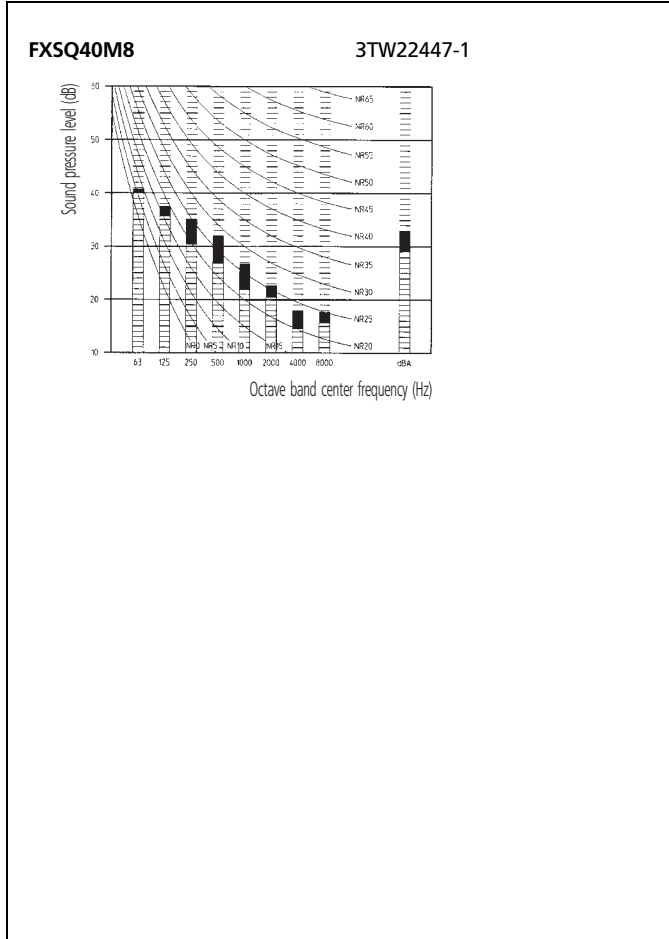
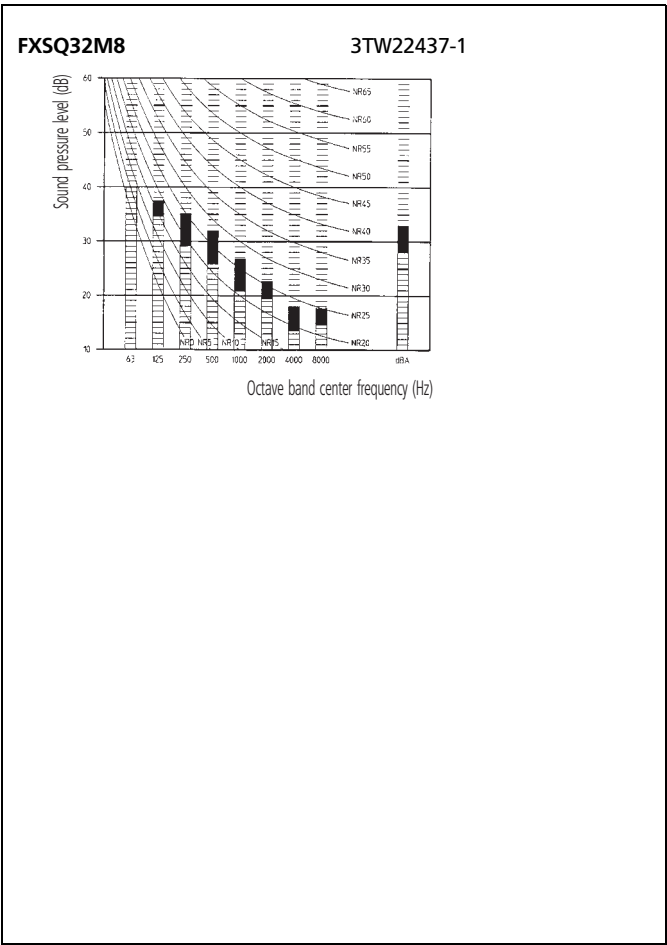
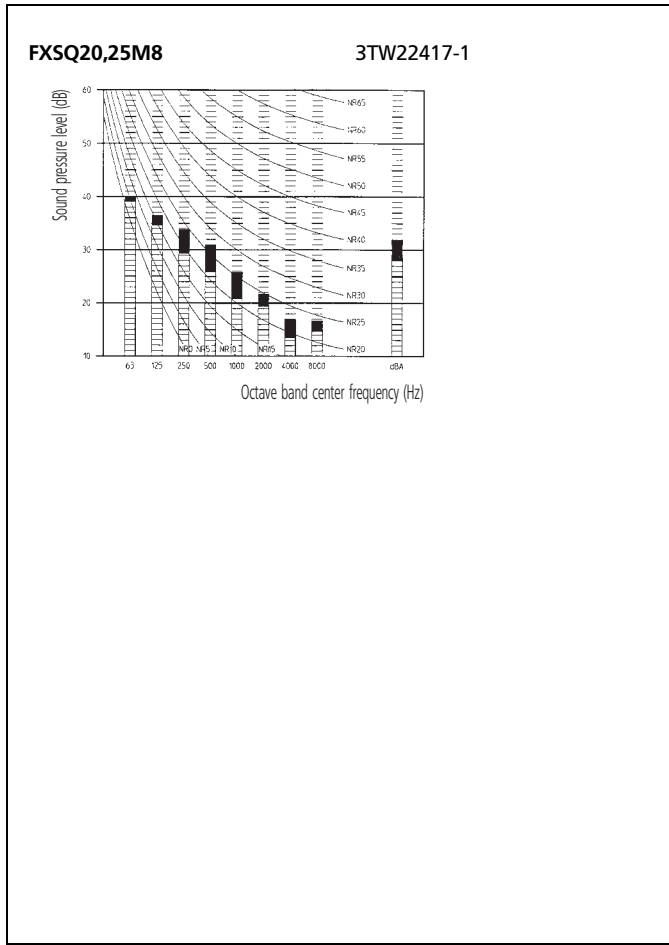
- 1 Data is valid at free field condition.
- 2 Data is valid at nominal operation condition (230V)
- 3 dBA = A-weighted sound pressure level (A-scale according to IEC).
- 4 Reference acoustic pressure 0 dB = 20  $\mu$ Pa.

#### Legend

- : High speed
- : Low speed

# 9 Sound data

## 9 - 2 Sound pressure spectrum



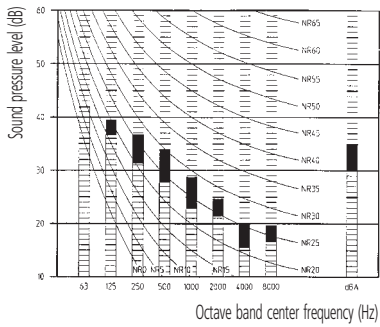


# 9 Sound data

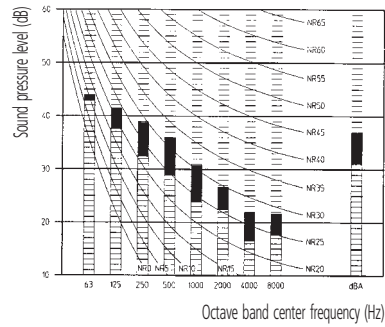
## 9 - 2 Sound pressure spectrum

9

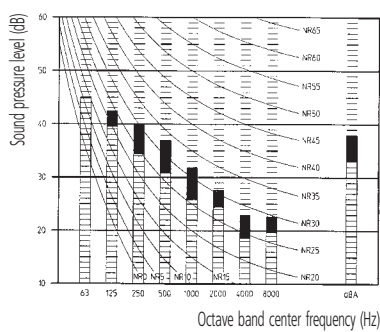
**FXSQ63M8** 3TW22467-1



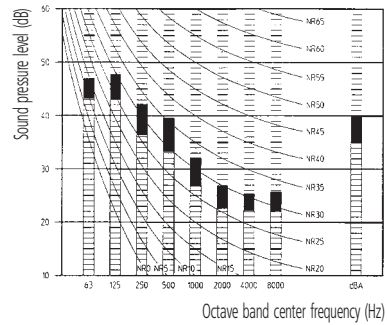
**FXSQ80M8** 3TW22477-1



**FXSQ100M8** 3TW22487-1



**FXSQ125M8** 3TW22497-1

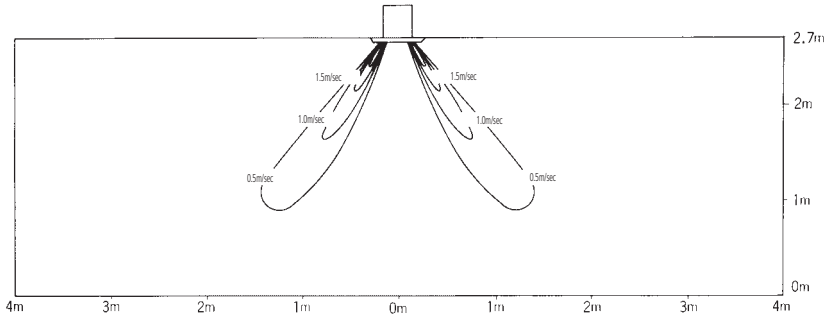


# 10 Air flow pattern

## FXSQ63M8

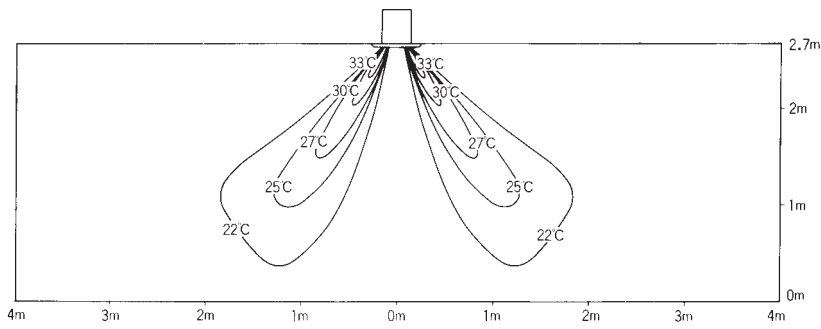
Heating Air velocity distribution

9m<sup>3</sup>/min flow rate blow unit (KDGS90D9) used



Heating Temperature distribution

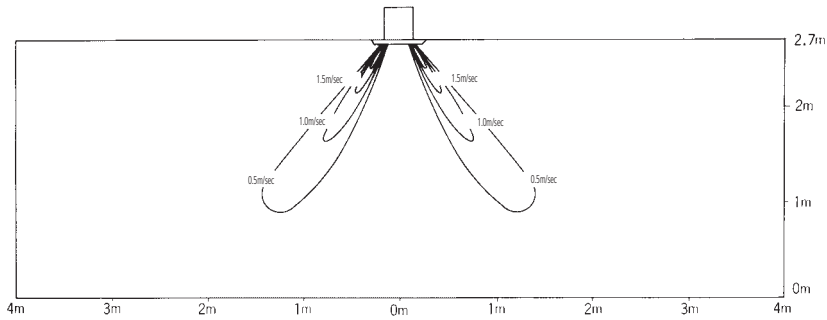
9m<sup>3</sup>/min flow rate blow unit (KDGS90D9) used



## FXSQ125M8

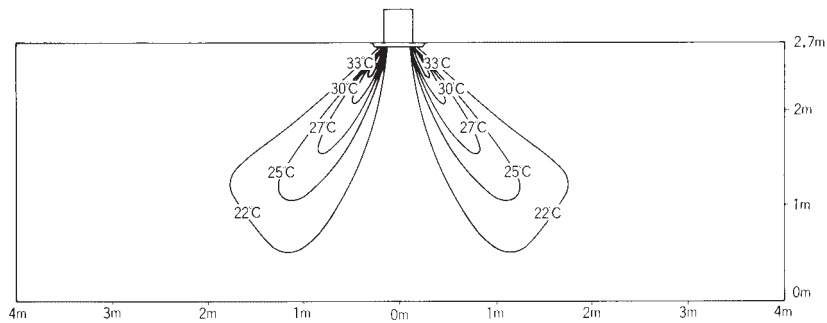
Heating Air velocity distribution

9m<sup>3</sup>/min flow rate blow unit (KDGS90D9) used



Heating Temperature distribution

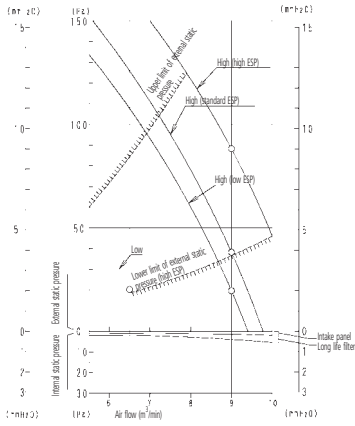
9m<sup>3</sup>/min flow rate blow unit (KDGS90D9) used



# 11 Fan characteristics

FXSQ20,25M8

3D036959

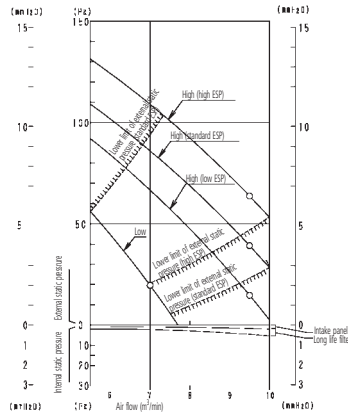


**NOTES**

- 1 The remote control can be used to switch between “high” and “low”.
- 2 The air flow is set to “standard” before leaving the factory. It is possible to switch between “standard ESP” and “high ESP” by changing the terminals in the indoor unit electrical box.
- 3 The internal static pressure indicates the characteristics of the fan when a suction panel (optional accessory) and a canvas for the suction panel (optional accessories) are incorporated into the main unit (with a long-life filter)

FXSQ32M8

3D036960

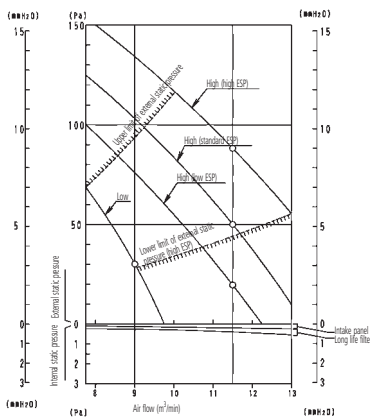


**NOTES**

- 1 The remote control can be used to switch between “high” and “low”.
- 2 The air flow is set to “standard” before leaving the factory. It is possible to switch between “standard ESP” and “high ESP” by changing the terminals in the indoor unit electrical box.
- 3 The internal static pressure indicates the characteristics of the fan when a suction panel (optional accessory) and a canvas for the suction panel (optional accessories) are incorporated into the main unit (with a long-life filter)

FXSQ40M8

3D036961

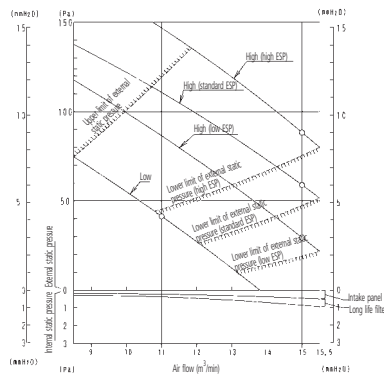


**NOTES**

- 1 The remote control can be used to switch between “high” and “low”.
- 2 The air flow is set to “standard” before leaving the factory. It is possible to switch between “standard ESP” and “high ESP” by changing the terminals in the indoor unit electrical box.
- 3 The internal static pressure indicates the characteristics of the fan when a suction panel (optional accessory) and a canvas for the suction panel (optional accessories) are incorporated into the main unit (with a long-life filter)

FXSQ50M8

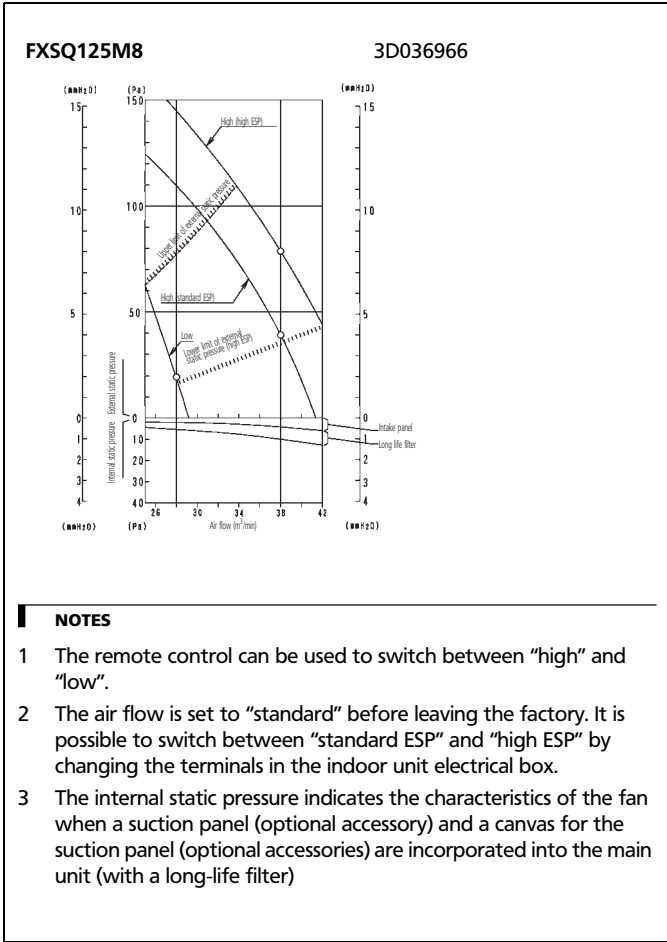
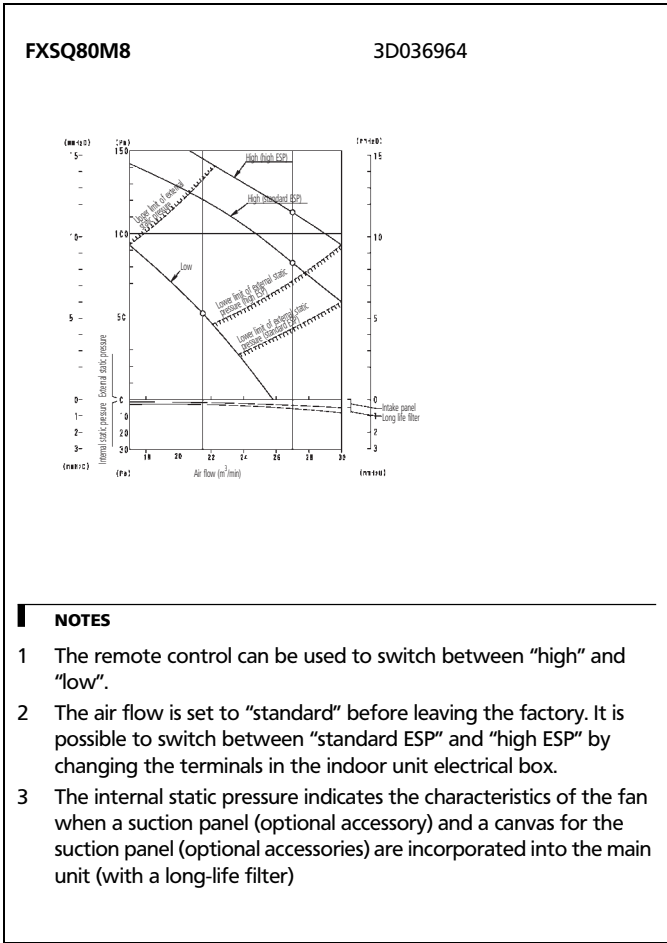
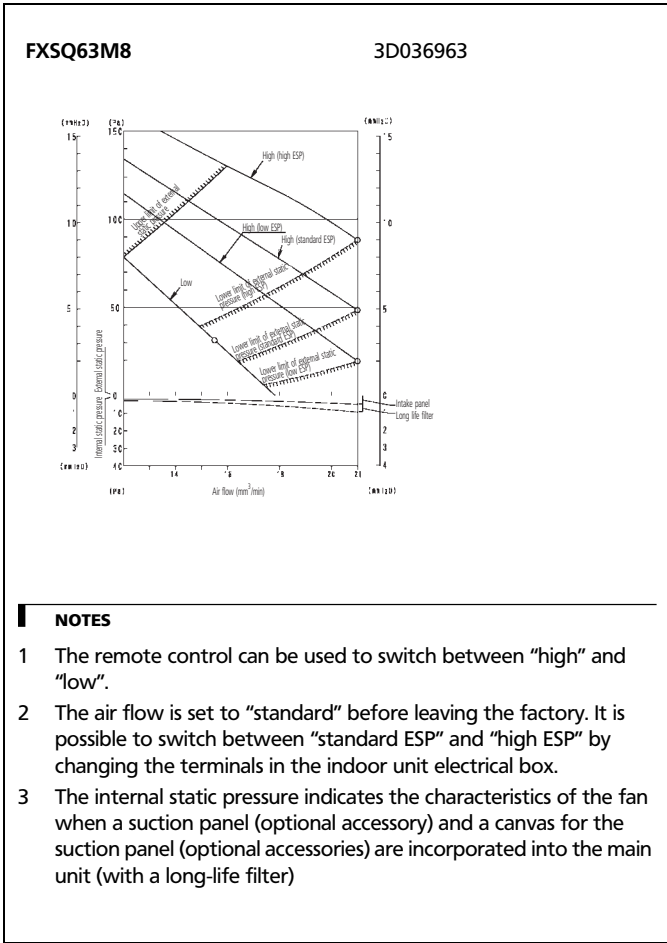
3D036962



**NOTES**

- 1 The remote control can be used to switch between “high” and “low”.
- 2 The air flow is set to “standard” before leaving the factory. It is possible to switch between “standard ESP” and “high ESP” by changing the terminals in the indoor unit electrical box.
- 3 The internal static pressure indicates the characteristics of the fan when a suction panel (optional accessory) and a canvas for the suction panel (optional accessories) are incorporated into the main unit (with a long-life filter)

# 11 Fan characteristics

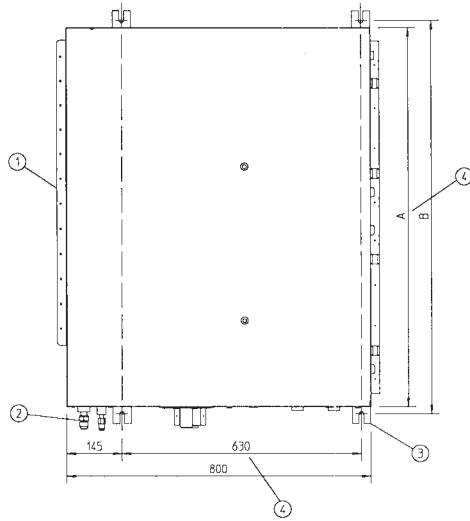


# 12 Installation

## 12 - 1 Suspension bolt pitch position

12

FXSQ-M8



Number	Description
1	Indoor unit body
2	Pipe connections
3	Suspension bolt pitch (4x)
4	Suspension bolt pitch distance

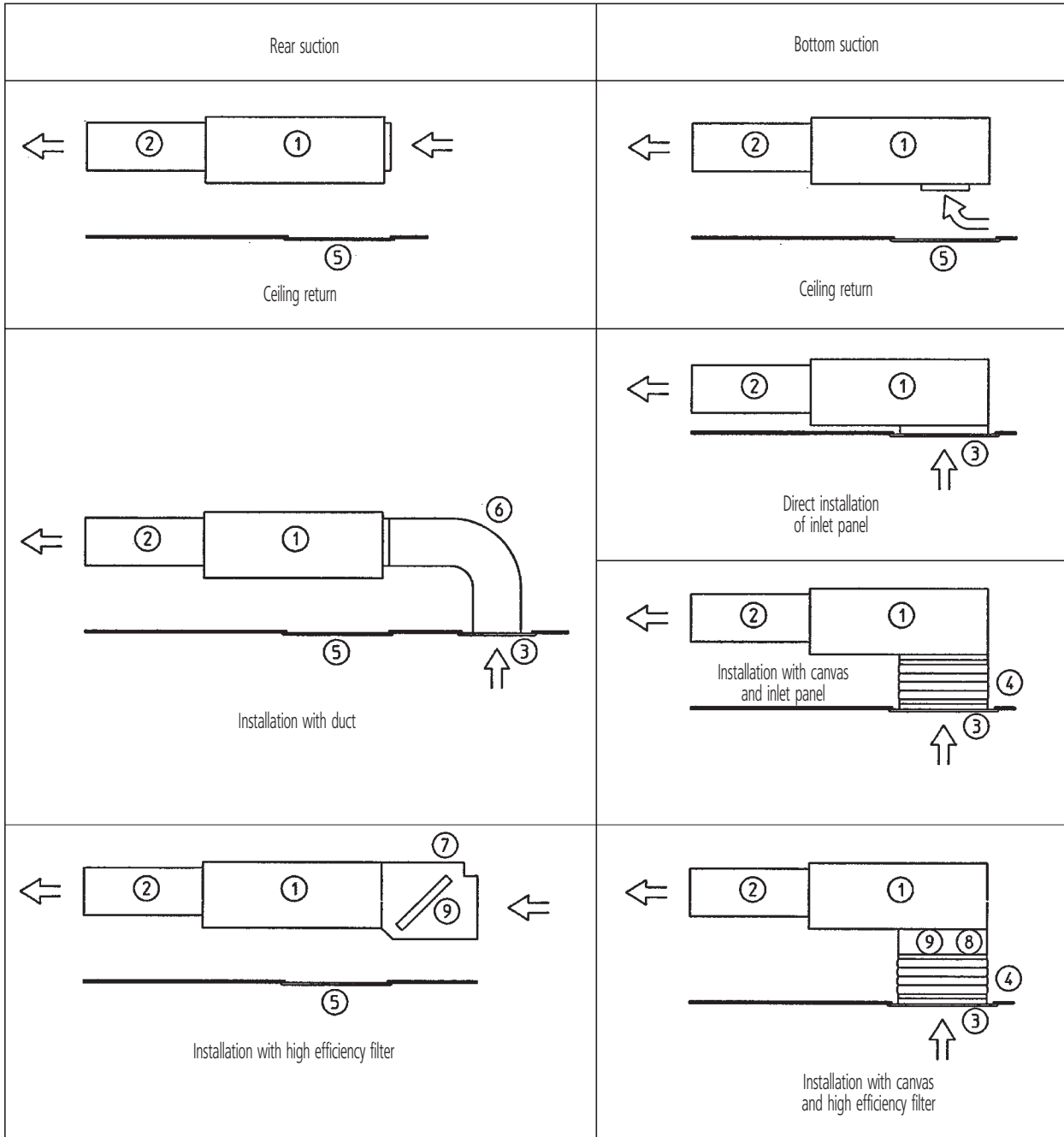
Model	A	B
FXSQ20,25,32M8	550	600
FXSQ40,50M8	700	750
FXSQ63M8	1,000	1,050
FXSQ80,100,125M8	1,400	1,450

3TW22043-6C

# 12 Installation

## 12 - 2 Installation method

FXSQ-M8



Nr.	Name	Description
1	Main body	
2	Air outlet duct	Field supply
3	Inlet panel	Optional accessory
4	Air suction canvas	Optional accessory
5	Access panel	Optional accessory
6	Air inlet duct	Field supply
7	Filter chamber for rear suction	Optional accessory
8	Filter chamber for bottom suction	Optional accessory
9	High efficiency filter	Optional accessory

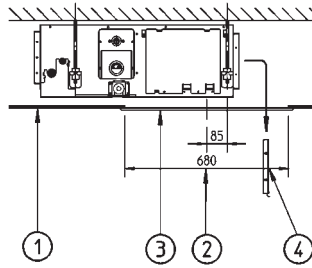
3TW22043-4A

# 12 Installation

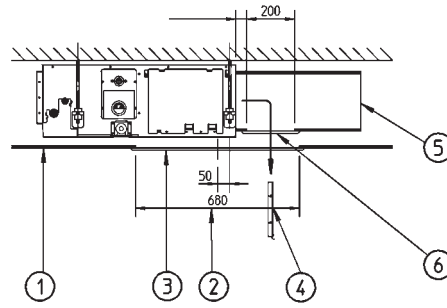
## 12 - 3 Filter installation method

12

### FXSQ-M8

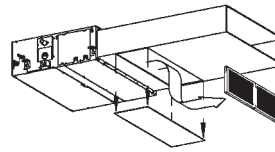


Installation without duct



Installation with duct

Number	Description
1	False ceiling
2	Ceiling opening
3	Service access panel (optional)
4	Air filter
5	Air inlet duct
6	Duct service opening



#### NOTES

- When installing the unit with rear suction, a service opening is necessary for the maintenance of the air filters.
- When installing the unit with a suction duct, a service opening must be provided in the duct.
- An optional service access panel is available.

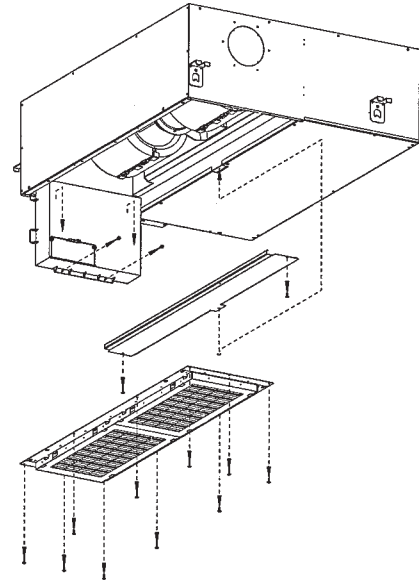
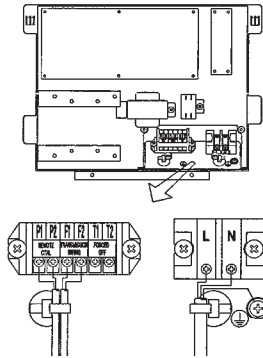
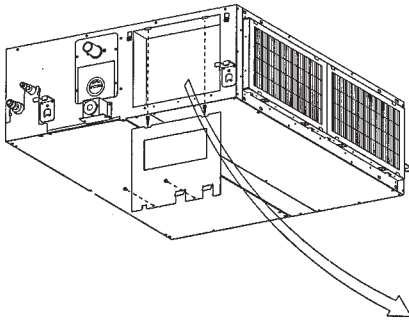
Model	Service access panel
FXSQ20,25,32M8	KTBJ25K36W
FXSQ40,50M8	KTBJ25K56W
FXSQ63M8	KTBJ25K80W
FXSQ80,125M8	KTBJ25K160W

3TW25684-3

## 12 Installation

### 12 - 4 Switch box connection

FXSQ-M8



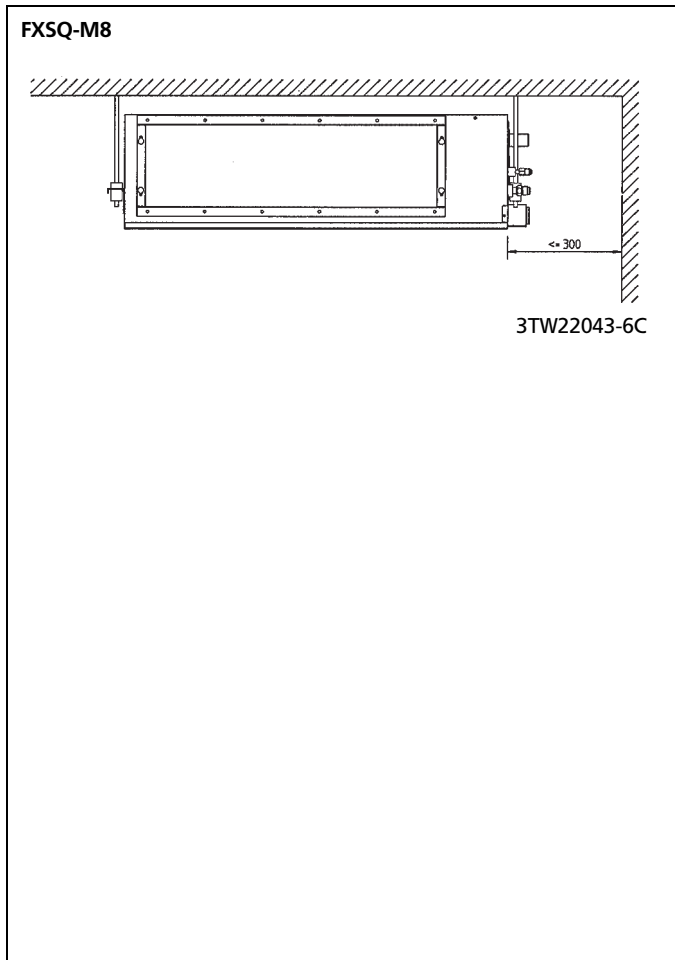
3TW22043-5B



## 12 Installation

### 12 - 5 Service space

12



# 2

**VRV III-S**  
**VRV III**  
**VRV II**  
**VRV-WII**

"The present publication is drawn up by way of information only and does not constitute an offer binding upon Daikin Europe N.V. Daikin Europe N.V. has compiled the content of this publication to the best of its knowledge. No express or implied warranty is given for the completeness, accuracy, reliability or fitness for particular purpose of its content and the products and services presented therein. Specifications are subject to change without prior notice. Daikin Europe N.V. explicitly rejects any liability for any direct or indirect damage, in the broadest sense, arising from or related to the use and/or interpretation of this publication. All content is copyrighted by Daikin Europe N.V."



ISO14001 assures an effective environmental management system in order to help protect human health and the environment from the potential impact of our activities, products and services and to assist in maintaining and improving the quality of the environment.



Daikin Europe N.V. is approved by LRQA for its Quality Management System in accordance with the ISO9001 standard. ISO9001 pertains to quality assurance regarding design, development, manufacturing as well as to services related to the product.



Daikin units comply with the European regulations that guarantee the safety of the product.

VRV products are not within the scope of the Eurovent certification programme.

Daikin equipment is designed for comfort applications. For use in other applications, please contact your local Daikin representative.

## **DAIKIN EUROPE N.V.**

Zandvoordestraat 300  
B-8400 Ostend - Belgium  
[www.daikineurope.com](http://www.daikineurope.com)

