
VRV SYSTEM Inverter Air Conditioners

MODELS**Floor standing type and Concealed floor standing type**

FXL20LVE	FXN20LVE	FXLQ20MVE	FXNQ20MVE	FXLQ20MHV1
FXL25LVE	FXN25LVE	FXLQ25MVE	FXNQ25MVE	FXLQ25MHV1
FXL32LVE	FXN32LVE	FXLQ32MVE	FXNQ32MVE	FXLQ32MHV1
FXL40LVE	FXN40LVE	FXLQ40MVE	FXNQ40MVE	FXLQ40MHV1
FXL50LVE	FXN50LVE	FXLQ50MVE	FXNQ50MVE	FXLQ50MHV1
FXL63LVE	FXN63LVE	FXLQ63MVE	FXNQ63MVE	

English

Deutsch

Français

Español

Italiano

Ελληνικά

Nederlands

Portugues

Russian

Taiwanese

Chinese

Thank you for purchasing this Daikin air conditioner. Carefully read this operation manual before using the air conditioner. It will tell you how to use the unit properly and help you if any trouble occurs. This manual explains about the indoor unit only. Use it along with the operation manual for the outdoor unit. After reading the manual, file it away for future reference.

Vielen Dank für den Kauf einer Klimaanlage von Daikin. Lesen Sie dieses Betriebshandbuch vor Inbetriebnahme der Klimaanlage sorgfältig durch. Sie erfahren hier, wie die Einheit korrekt genutzt wird, und es ist Ihnen bei Störungen behilflich. Das Betriebshandbuch erklärt nur das Innenaggregat. Verwenden Sie es deshalb zusammen mit dem entsprechenden Handbuch für das Aussenaggregat. Wenn Sie das Handbuch durchgelesen haben, bewahren Sie es gut auf, damit Sie auch später noch nachschlagen können.

Nous vous remercions pour votre acquisition de ce système de climatisation Daikin. Lisez attentivement ce manuel avant d'utiliser le climatiseur. Il vous expliquera comment vous servir correctement de l'appareil et vous guidera en cas de problème. Ce manuel ne décrit que l'unité intérieure. Utilisez-le avec le manuel de l'unité extérieure. Lorsqu'on vous aura lu le manuel, rangez-le afin de pouvoir vous y référer ultérieurement.

Le agradecemos la compra de este acondicionador de aire Daikin. Lea cuidadosamente el manual de funcionamiento antes de utilizar el acondicionador de aire. Dicho manual le indicará cómo utilizar adecuadamente la máquina y le ayudará en caso de avería. Este manual describe sólo la unidad interior. Utilice conjuntamente con el manual de instrucciones de la unidad exterior. Después de leer el manual, consérvelo para consultas futuras.

La ringraziamo di aver acquistato questo condizionatore d'aria Daikin. Leggere attentamente questo manuale prima di utilizzare il condizionatore. Contiene le istruzioni per usare correttamente l'unità e per rimediare ad eventuali problemi di funzionamento. Il presente manuale è valido per l'unità interna. Utilizzarlo congiuntamente al manuale d'istruzioni per l'unità esterna. Dopo averlo letto, conservare il manuale per consultazioni future.

Σας ευχαριστούμε που αγοράσατε αυτή την κλιματιστική συσκευή της Daikin. Διαβάστε προσεκτικά αυτό το εγχειρίδιο χρήσης πριν χρησιμοποιήσετε την κλιματιστική συσκευή. Θα σας εξηγήσει πώς να χρησιμοποιείτε τη μονάδα σωστά και θα σας βοηθήσει αν παρουσιαστεί κάποιο πρόβλημα. Αυτό το εγχειρίδιο περιγράφει μόνο την εσωτερική μονάδα. Χρησιμοποιήστε το μαζί με το εγχειρίδιο λειτουργίας για την εξωτερική μονάδα. Αφού διαβάσετε το εγχειρίδιο, φυλάξτε το για μελλοντική χρήση.

Wij danken u voor de aankoop van deze Daikin-airconditioner.

Lees deze bedrijfshandleiding aandachtig door voordat u de airconditioner gebruikt. Het omvat uitleg over het correcte gebruik van de unit en biedt hulp in geval een storing mocht optreden. Deze handleiding beschrijft alleen het binnentoestel. Gebruik ze samen met de bedieningshandleiding voor het buitentoestel. Gebruik deze handleiding voor verdere raadpleging.

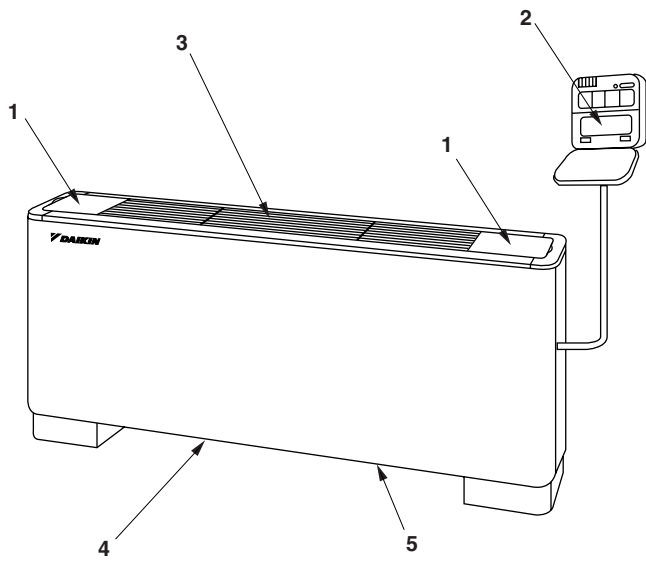
Obrigado pela sua compra deste aparelho de ar condicionado Daikin.

Leia com atenção este manual de operação antes de proceder à utilização do aparelho de ar condicionado. Este indicará-lhe-á como deverá utilizar a unidade correctamente e ajudá-lo-á no caso de surgir qualquer problema. Este manual apenas contém explicações sobre a unidade interior. Use-o em conjunto com o manual de operação da unidade exterior. Depois de ler o manual, guarde-o a fim de o poder consultar caso venha a ser preciso.

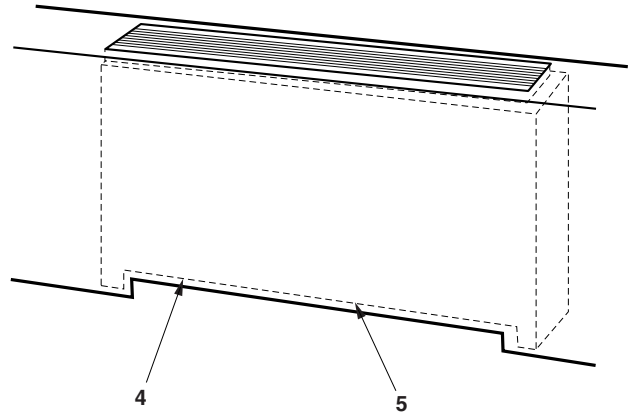
Благодарим за покупку кондиционера Daikin. До начала работы с кондиционером внимательно изучите данное руководство по эксплуатации. В нем излагаются правила пользования и приводятся рекомендации по поиску и устранению неисправностей. В данном руководстве рассматривается только комнатный блок. Используйте его вместе с руководством для наружного блока. После изучения руководства сохраните его для справки.

感謝您購買大金的空調機。在使用本空調機之前，請仔細閱讀本使用說明書。本說明書說明空調機的正確的使用方法，以及發生故障時的對應措施。本使用說明書為室內機專用的說明書，請同時參照閱讀室外機附帶的使用說明書。閱讀完畢本說明書以後，請妥善保管，以備需要時查閱。

感谢您购买大金的空调机。在使用本空调机之前，请仔细阅读本使用说明书。本说明书说明空调机的正确使用方法，以及发生故障时的对应措施。本使用说明书为室内机专用的说明书，请同时参照阅读室外机附带的说明书。阅读完毕本说明书以后，请妥善保管，以备需要时查阅。

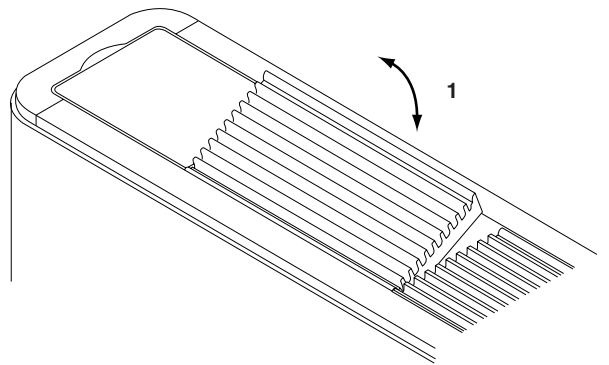
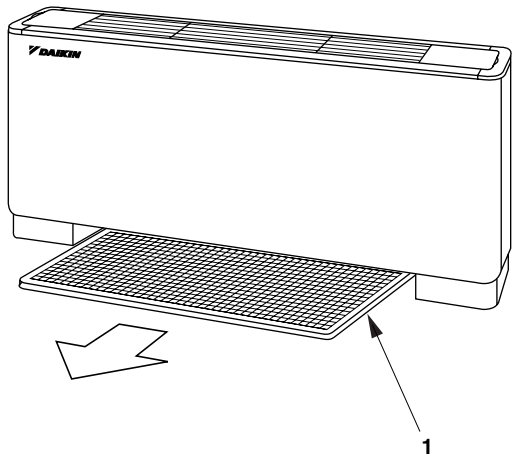


«FXL»



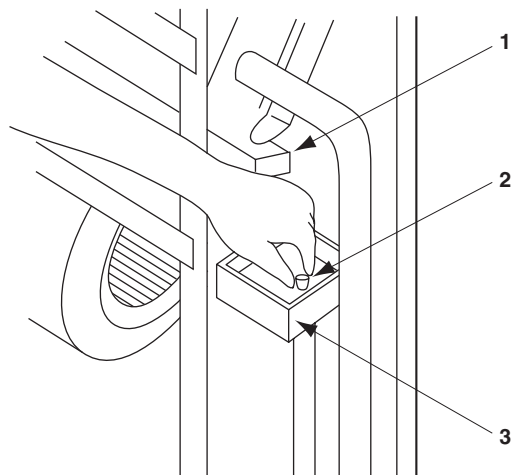
«FXN»

1



2

3



4

NAME OF PARTS

Refer to figure 1 on page [1]


1. Control panel lid
2. Remote controller
3. Air outlet
4. Air inlet
5. Air filter (at air inlet)

MAINTENANCE

IMPORTANT!

- ONLY A QUALIFIED SERVICE PERSON IS ALLOWED TO PERFORM MAINTENANCE
- BEFORE OBTAINING ACCESS TO TERMINAL DEVICES, ALL POWER SUPPLY CIRCUITS MUST BE INTERRUPTED
- DO NOT USE WATER OR AIR OF 50°C OR HIGHER FOR CLEANING AIR FILTERS AND OUTSIDE PANELS
- DO NOT OPERATE FOR MANY HOURS WITH THE WINDOW OPEN. IT MAY CAUSE CONDENSATION.
- DO NOT STAND OR PLACE OBJECTS ON THE AIR-CONDITIONER.
DOING SO COULD RESULT IN INJURY DUE TO FALLING OR TURNING OVER.
- DO NOT PLACE CONTAINERS OF WATER ON THE AIR CONDITIONER. IF THE CONTAINER IS OVERTURNED, IT COULD RESULT IN EQUIPMENT FAILURE OR ELECTRICAL SHOCK AND FIRE.
- DO NOT OPERATE WITH THE CONTROL PANEL LID OPEN.
IF WATER GETS INSIDE THE PANEL, IT COULD RESULT IN EQUIPMENT FAILURE OR ELECTRICAL SHOCK.

HOW TO CLEAN THE AIR FILTER

Clean the air filter when the display shows “” (TIME TO CLEAN AIR FILTER)

Increase the frequency of cleaning if the unit is installed in a room where the air is extremely contaminated.

(As a yardstick for regulating yourself, consider cleaning the filter once a half year.)

1. Remove the air filter.

Pull out air filters toward you.

Refer to figure 2 on page [1]

1. Air filter

2. Clean the air filter.

Use vacuum cleaner **A)** or wash with water **B).**

- A)** Using a vacuum cleaner



B) Washing with water

To clean the air filter, wash with a soft bristle brush and neutral detergent.




Remove water and dry in the shade.

3. Reset the air filter in place.

Place the air filter back in their original. Insert it(air filter)all the way.

4. Press the **FILTER SIGN RESET BUTTON** on the remote controller.

The display “” (TIME TO CLEAN AIR FILTER) vanishes.

(For details, see the operation manual for the outdoor unit.)

HOW TO CLEAN AIR OUTLET AND OUTSIDE PANELS

1. Clean with soft cloth.
2. When it is difficult to remove stains, use water or neutral detergent.

NOTES

- Do not use gasoline, benzene, thinner, polishing powder, liquid insecticide. It may cause discoloring or warping.
- Do not let the indoor unit get wet. It may cause an electric shock or a fire.
- Clean the air inlet grille when it is shut.

REMOVAL AND INSTALLATION OF DISCHARGE GRILL

Refer to figure 3 on page [1]

1. Lift the rear using the front as a fulcrum. To install use the opposite method.

CLEANING THE DRAIN STRAINER

The drain strainer clears dirt in the drain water and prevents the pipe from clogging. However, if the strainer mesh gets clogged, water may overflow. Remove and wash the mesh with water before and after seasons when the unit is in use and once during those seasons.

1. Remove the drain strainer in the drip-pan under the drain-pan and wash off any dirt that may have accumulated.

Refer to figure 4 on page [1]

1. Drain-pan
2. Drain strainer(take out)
3. Drip-pan

2. Return the drain strainer to its previous position so that the strainer does not leak water.

- Because cleaning requires removing the front panel, contact the dealer where you bought the product.

DAIKIN INDUSTRIES, LTD.

Head office:

Umeda Center Bldg., 4-12, Nakazaki-Nishi 2-chome,
Kita-ku, Osaka, 530-8323 Japan

Tokyo office:

JR Shinagawa East Bldg., 18-1, Konan
2-chome, Minato-ku, Tokyo, 108-0075 Japan

DAIKIN EUROPE NV

Zandvoordestraat 300, B-8400 Oostende, Belgium

大金工業株式会社

總公司

日本大阪府大阪市北區中崎西二丁目4番12號
梅田中心大廈 郵政編號 530-8323

東京分公司

日本東京都港區港南二丁目18番1號
JR品川東大廈 郵政編碼108-0075

大金工業株式会社

总公司

日本大阪府大阪市北區中崎西二丁目4番12号
梅田中心大廈 邮政编码 530-8323

东京分公司

日本东京都港区港南二丁目18番1号
JR品川东大厦 邮政编码108-0075