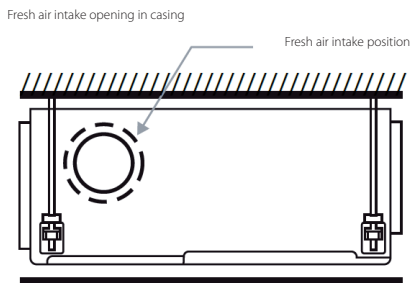


# Concealed ceiling unit with high ESP

Ideal for large sized spaces

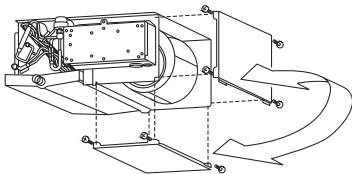
FXMQ-P7: ESP up to 200 Pa

- › Possibility to change ESP via wired remote control allows optimisation of the supply air volume
- › High external static pressure up to 200Pa facilitates extensive duct and grille network
- › Discretely concealed in the wall: only the suction and discharge grilles are visible
- › Reduced energy consumption thanks to specially developed DC fan motor
- › Fresh air intake integrated in the same system thus reducing installation cost as no additional ventilation device is required

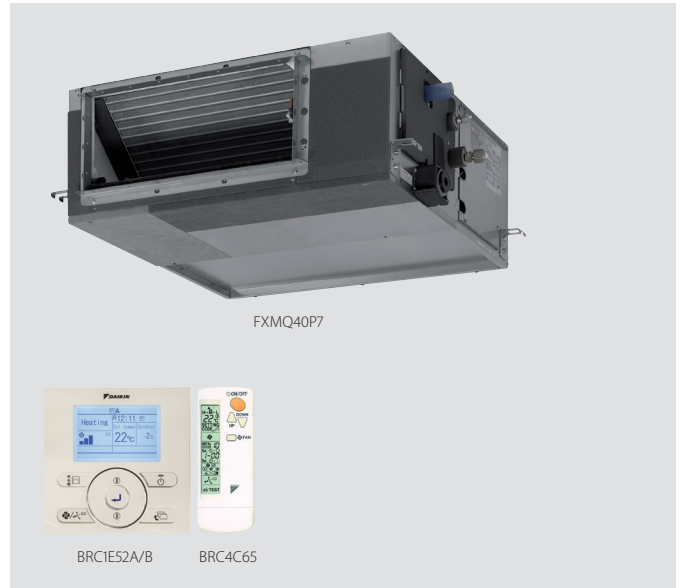
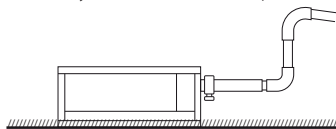


\* Brings in up to 10% of fresh air into the room

- › Flexible installation, as the air suction direction can be altered from rear to bottom suction



- › Standard built-in drain pump with 625mm lift increases flexibility and installation speed



FXMQ-MB: ESP up to 270

- › High external static pressure up to 270Pa facilitates extensive duct and grille network
- › Discretely concealed in the wall: only the suction and discharge grilles are visible
- › Large capacity unit: up to 31.5 kW heating capacity
- › Reduced energy consumption thanks to specially developed DC fan motor

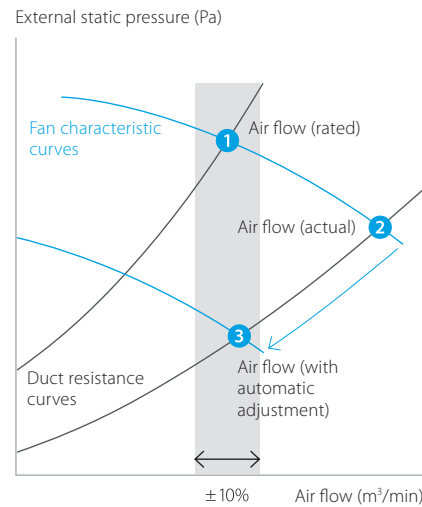
# Automatic Airflow Adjustment function

Automatically selects the most appropriate fan curve to achieve the units' nominal air flow within ±10%

## Why?

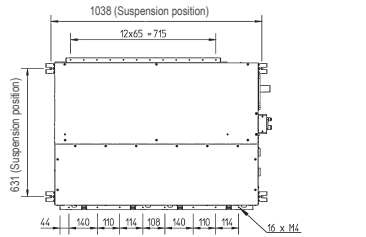
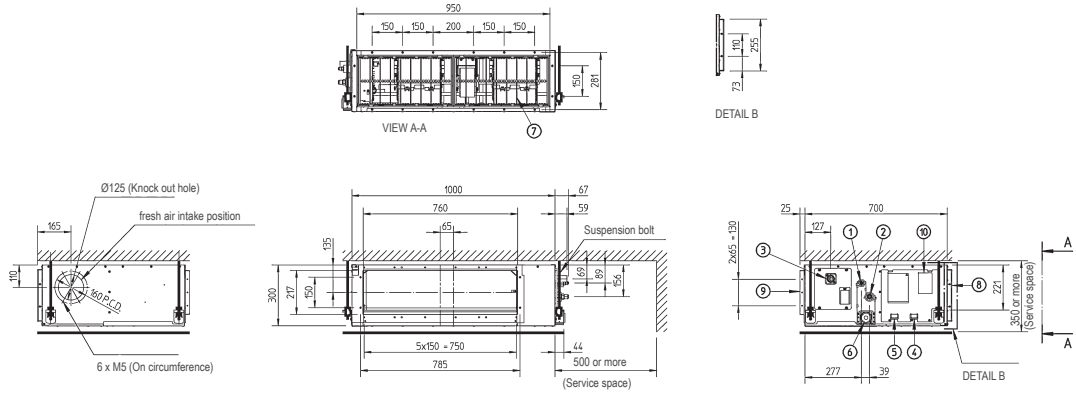
After installation the real ducting will frequently differ from the initially calculated air flow resistance → the real air flow may be much lower or higher than nominal, leading to a lack of capacity or uncomfortable air temperature

Automatic Airflow Adjustment function will adapt the unit's fan speed to any ducting automatically (10 or more fan curves are available on every model), making installation much faster



Indoor unit				FXMQ-P7/FXMQ-MB	50P7	63P7	80P7	100P7	125P7	200MB	250MB
Cooling capacity	Nom.		kW	5.6	7.1	9.0	11.2	14.0	22.4	28.0	
Heating capacity	Nom.		kW	6.3	8.0	10.0	12.5	16.0	25.0	31.5	
Power input - 50Hz	Cooling	Nom.	kW	0.110	0.120	0.171	0.176	0.241	0.895	1.185	
	Heating	Nom.	kW	0.098	0.108	0.159	0.164	0.229	0.895	1.185	
Dimensions	Unit	Height	mm	300						470	
		Width	mm	1,000				1,400		1,380	
		Depth	mm	700						1,100	
Required ceiling void >			mm	350						-	
Weight	Unit		kg	35			46		132		
Casing	Colour			Unpainted						-	
	Material			Galvanised steel plate						-	
Fan-Air flow rate - 50Hz	Cooling	High/Nom./Low	m³/min	18/16.5/15	19.5/17.8/16	25/22.5/20	32/27.5/23	39/33.5/28	58/54.0/50	72/67.0/62	
	Heating	High/Nom./Low	m³/min	18/16.5/15	19.5/17.8/16	25/22.5/20	32/27.5/23	39/33.5/28	-/-		
Fan-External static pressure - 50Hz	High/Nom.		Pa	200/100						270/160	270/170
Air filter	Type			Resin net with mold resistance						-	
Sound power level	Cooling	High/Nom.	dB(A)	61/-	64/-	67/-	65/-	70/-	-/-		
Sound pressure level	Cooling	High/Nom./Low	dB(A)	41/39/37	42/40/38	43/41/39		44/42/40	48/-/45		
	Heating	High/Nom./Low	dB(A)	41/39/37	42/40/38	43/41/39		44/42/40	-/-		
Refrigerant	Type			R-410A							
	GWP			2,087.5							
Piping connections	Liquid	OD	mm	6.35	15.9				9.52	19.1	22.2
	Gas	OD	mm	12.7							
	Drain			VP25 (I.D. 25/O.D. 32)						PS1B	
Power supply	Phase/Frequency/Voltage		Hz/V	1~/50/60/220-240/220						1~/50/220-240	
Current - 50Hz	Maximum fuse amps (MFA)		A	16							
Control systems	Infrared remote control			BRC4C65							
	Wired remote control			BRC1D52 / BRC1E52A/B							
	Simplified wired remote control for hotel applications			BRC2E52C (heat recovery type) / BRC3E52C (heat pump type)							

**FXMQ50P7**



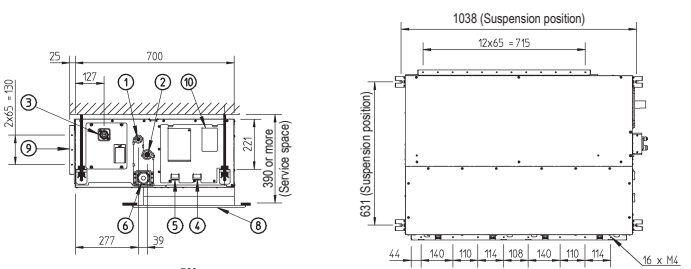
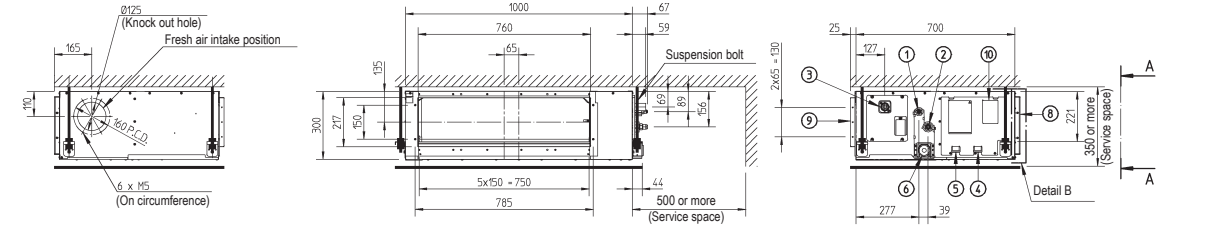
Item	Name	Description
1	Liquid pipe connection	Ø6.35 Flare connection
2	Gas pipe connection	Ø12.70 Flare connection
3	Drain pipe connection	VP25 (OD Ø32, ID Ø25)
4	Remote control wiring connection	-
5	Power supply connection	-
6	Drain hole	VP20 (OD Ø32, ID Ø25)
7	Air filter	-
8	Air suction side	-
9	Air discharge side	-
10	Nameplate	-

3TW32694-1

**NOTES**

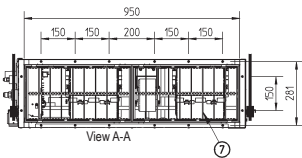
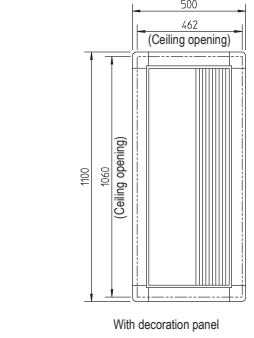
- 1 Refer to 'outlook drawing for installing optional accessories' when installing optional accessories.
- 2 The required ceiling depth varies according to the configuration of the specific system.
- 3 For maintenance of the air filter, it is necessary to provide a service access panel. Refer to the 'filter installation method' drawing.

**FXMQ63-80P7**



Item	Name	Description
1	Liquid pipe connection	ø 9.52 Flare connection
2	Gas pipe connection	ø 15.90 Flare connection
3	Drain pipe connection	VP25 (OD ø 32, ID ø 25)
4	Remote control wiring connection	-
5	Power supply connection	-
6	Drain hole	VP25 (OD ø 32, ID ø 25)
7	Air filter	-
8	Air suction side	-
9	Air discharge side	-
10	Nameplate	-

Detail B

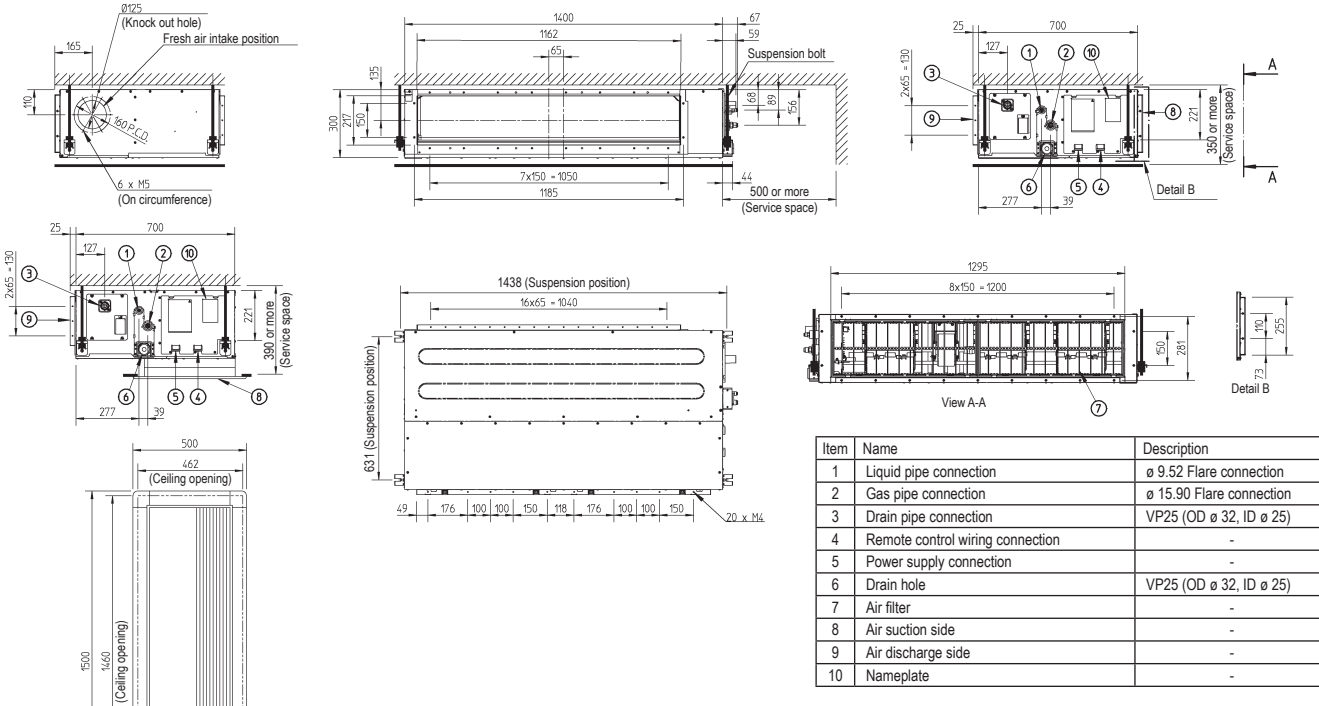


**NOTES**

1. Refer to the outlook drawing of optional accessories when installing them.
2. The required ceiling depth varies according to the configuration of the specific system.
3. For maintenance of the air filter, it is necessary to provide a service access panel.
4. Optional decoration panel: BYBS71DJW1 (light ivory white 10Y9/0.5)

3TW31234-1B

**FXMQ100-125P7**



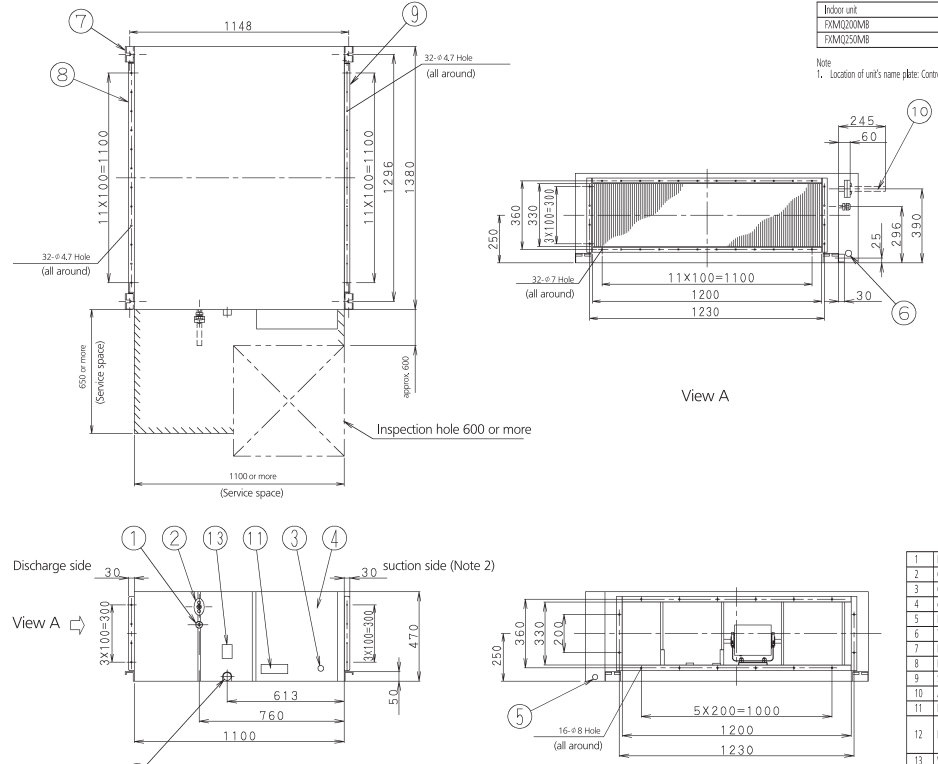
Item	Name	Description
1	Liquid pipe connection	$\phi$ 9.52 Flare connection
2	Gas pipe connection	$\phi$ 15.90 Flare connection
3	Drain pipe connection	VP25 (OD $\phi$ 32, ID $\phi$ 25)
4	Remote control wiring connection	-
5	Power supply connection	-
6	Drain hole	VP25 (OD $\phi$ 32, ID $\phi$ 25)
7	Air filter	-
8	Air suction side	-
9	Air discharge side	-
10	Nameplate	-

**NOTES**

1. Refer to the outlook drawing of optional accessories when installing them.
2. The required ceiling depth varies according to the configuration of the specific system.
3. For maintenance of the air filter, it is necessary to provide a service access panel.
4. Optional decoration panel: BYBs125DJW1 (light ivory white 10Y9/0.5)

3TW31254-1B

**FXMQ-MB**



pipng size (Field supply)

Indoor unit	Gas side	Liquid side
FXMQ200MB	$\phi$ 18.1 Attached piping	$\phi$ 9.5
FXMQ250MB	$\phi$ 22.2 Attached piping	$\phi$ 9.5

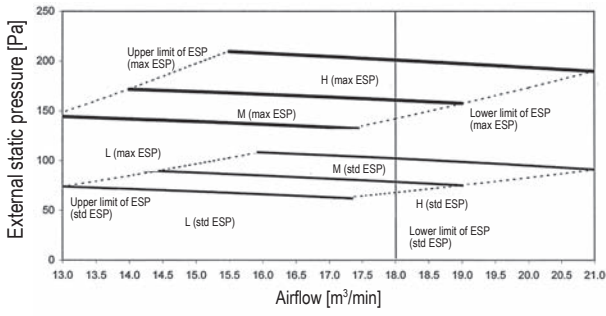
Note  
1. Location of unit's name plate: Control box surface

1	Liquid pipe connection	Flare connection
2	Gas pipe connection	Attendant piping connection
3	Ground terminal	M5 (R-side switch box)
4	Control box	
5	Power supply wiring connection	
6	Transmission wiring connection	
7	Hook	M10
8	Discharge barge	
9	Suction barge	
10	Attached piping	Brazing
11	Name plate	
12	Drain piping connection	PS18 internal thread Major dia. $\phi$ 33, 349 Minor dia. $\phi$ 30, 391
13	Water supply port	

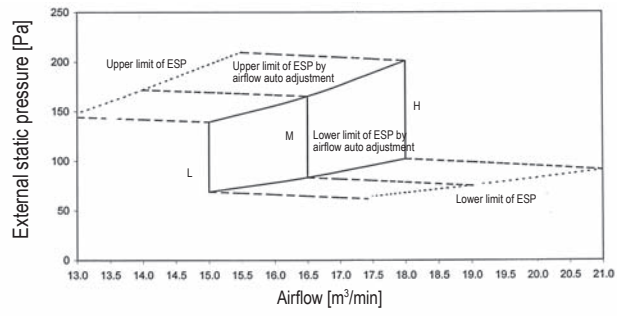
3D096007

**FXMO50P7**

Fan characteristics (1)

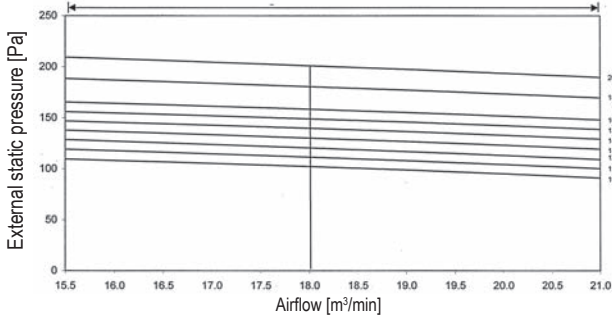


Fan characteristics (3)  
(airflow auto adjustment)



Fan characteristics (2)  
(Field setting with remote control)

Range of available air flow rate (H)



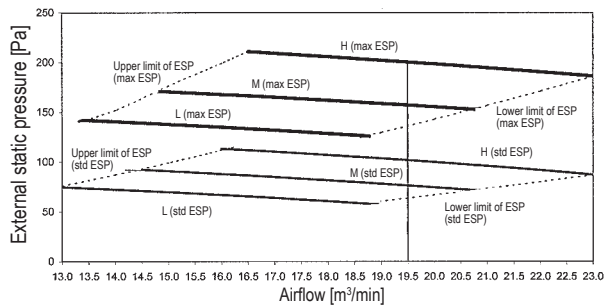
3TW32698-1

**NOTES**

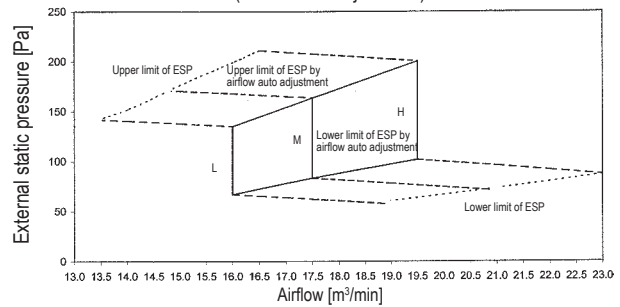
1. Fan characteristics as shown are in "fan only" mode.
2. ESP: External static pressure

**FXMQ63P7**

Fan characteristics (1)

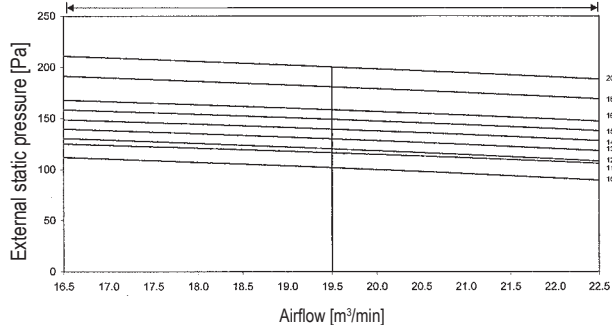


Fan characteristics (3)  
(airflow auto adjustment)



Fan characteristics (2)  
(Field setting with remote control)

Range of available air flow rate (H)



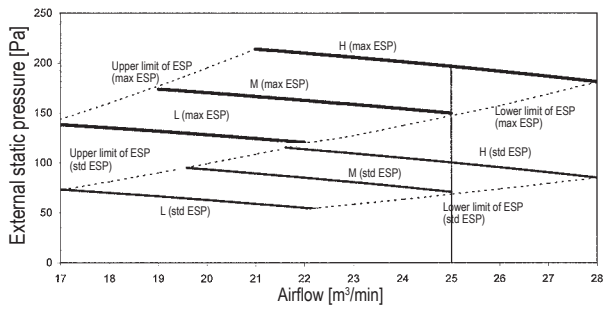
3TW32708-1

**NOTES**

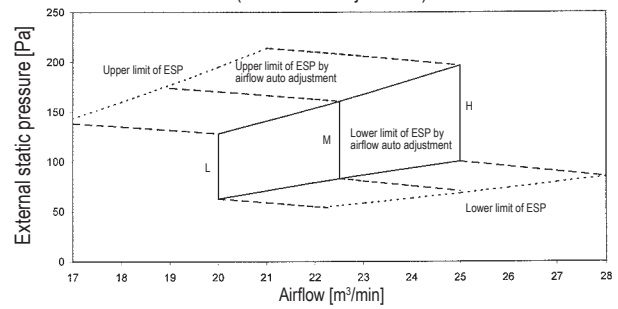
1. Fan characteristics as shown are in "fan only" mode.
2. ESP: External static pressure

**FXMQ80P7**

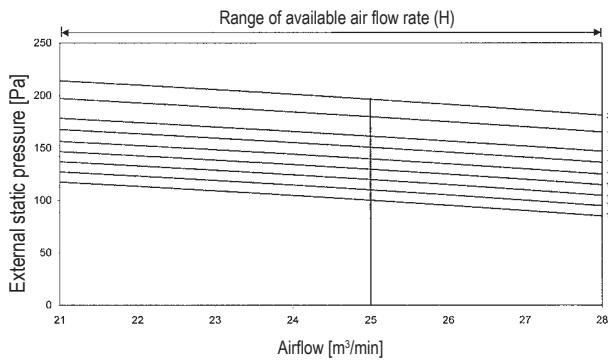
Fan characteristics (1)



Fan characteristics (3)  
(airflow auto adjustment)



Fan characteristics (2)  
(Field setting with remote control)



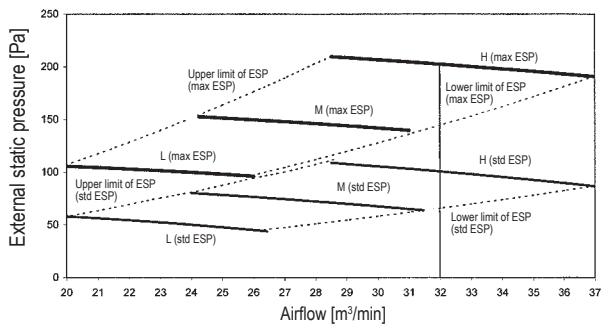
3TW32718-1

**NOTES**

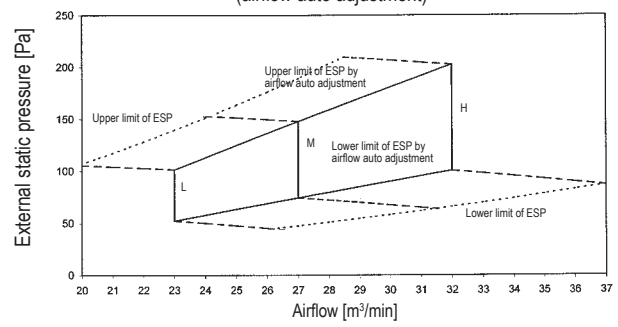
1. Fan characteristics as shown are in "fan only" mode.
2. ESP: External static pressure

**FXMQ100P7**

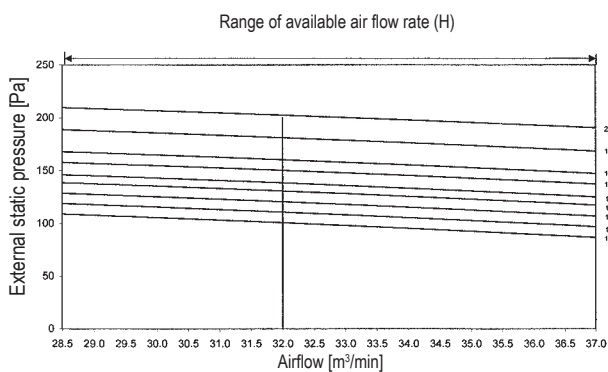
Fan characteristics (1)



Fan characteristics (3)  
(airflow auto adjustment)



Fan characteristics (2)  
(Field setting with remote control)



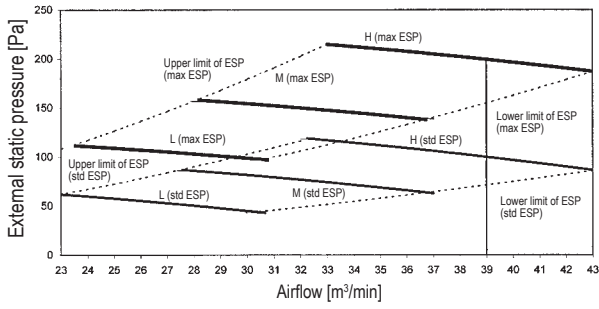
3TW32728-1

**NOTES**

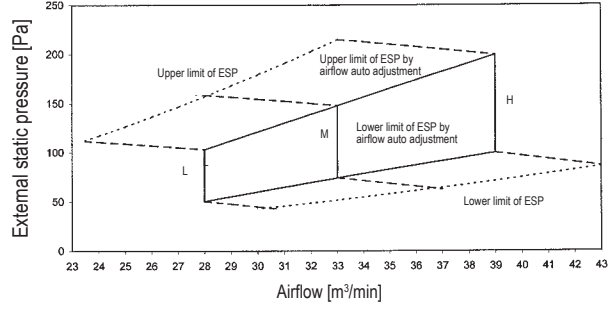
1. Fan characteristics as shown are in "fan only" mode.
2. ESP: External static pressure.

**FXMQ125P7**

Fan characteristics (1)

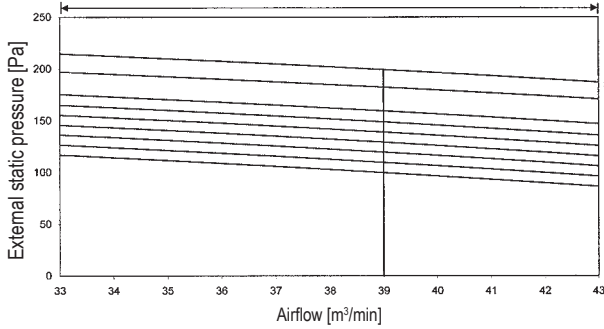


Fan characteristics (3)  
(airflow auto adjustment)



Fan characteristics (2)  
(Field setting with remote control)

Range of available air flow rate (H)



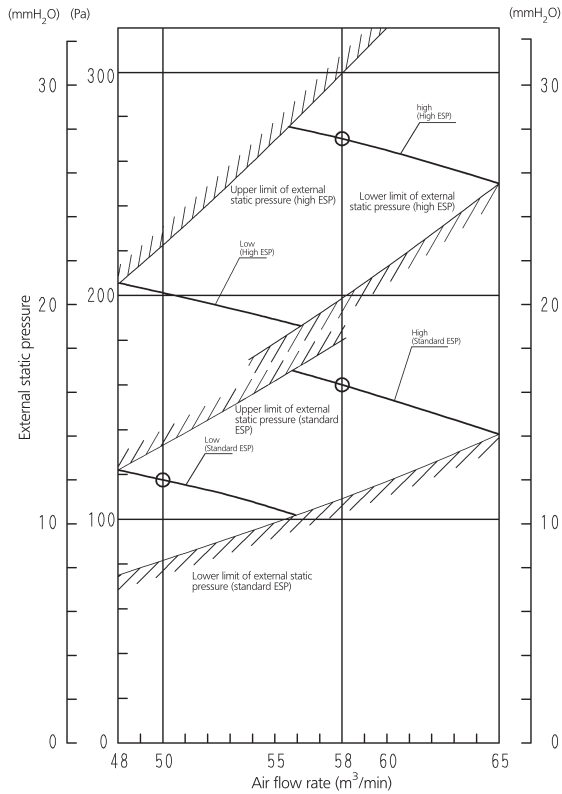
3TW32738-1

**NOTES**

1. Fan characteristics as shown are in "fan only" mode.
2. ESP: External static pressure

**FXMQ200MB**

50Hz 220-240V

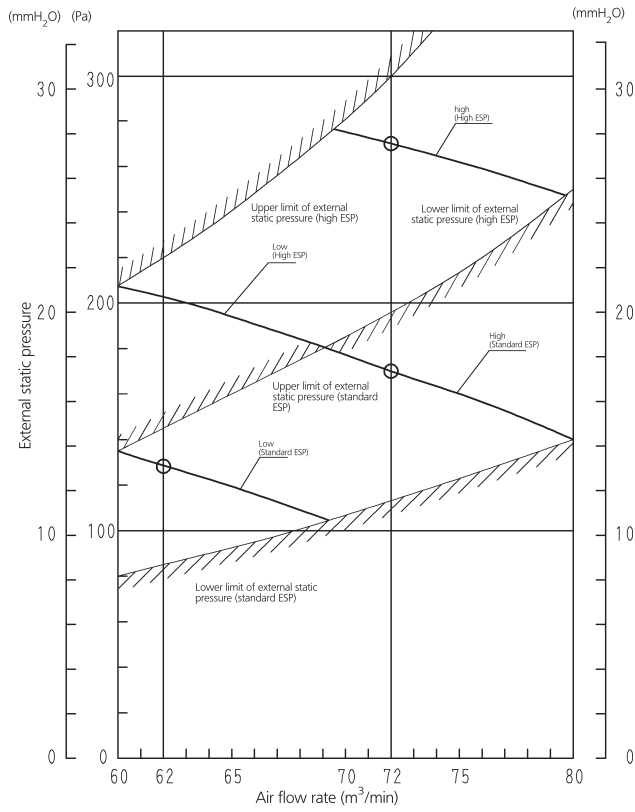


- Notes:
1. Remote controller can be used to switch between "HIGH" and "LOW".
  2. The air flow is set to "STANDARD" before leaving the factory. It is possible to switch between "STANDARD ESP" and "HIGH ESP" by remote controller.

4D095421

**FXMQ250MB**

50Hz 220-240V



- Notes:
1. Remote controller can be used to switch between 'HIGH' and 'LOW'.
  2. The air flow is set to 'STANDARD' before leaving the factory. It is possible to switch between 'STANDARD ESP' and 'HIGH ESP' by remote controller.

4D095422

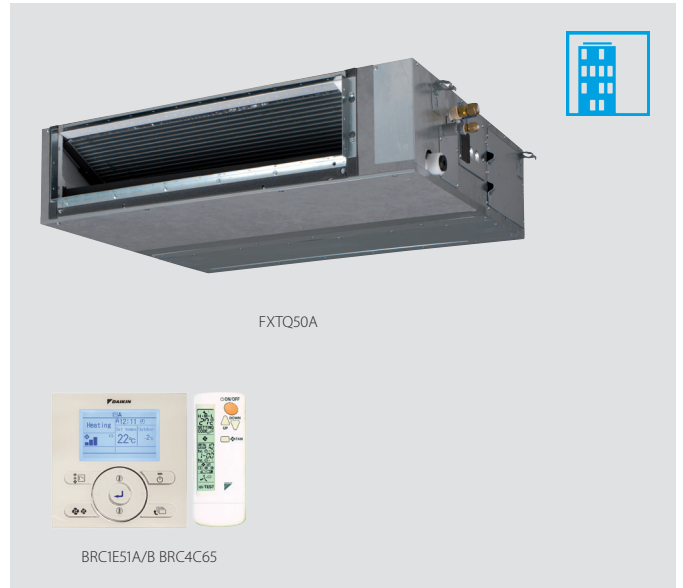
Indoor Units



# Concealed ceiling unit

## For the highest energy efficiency

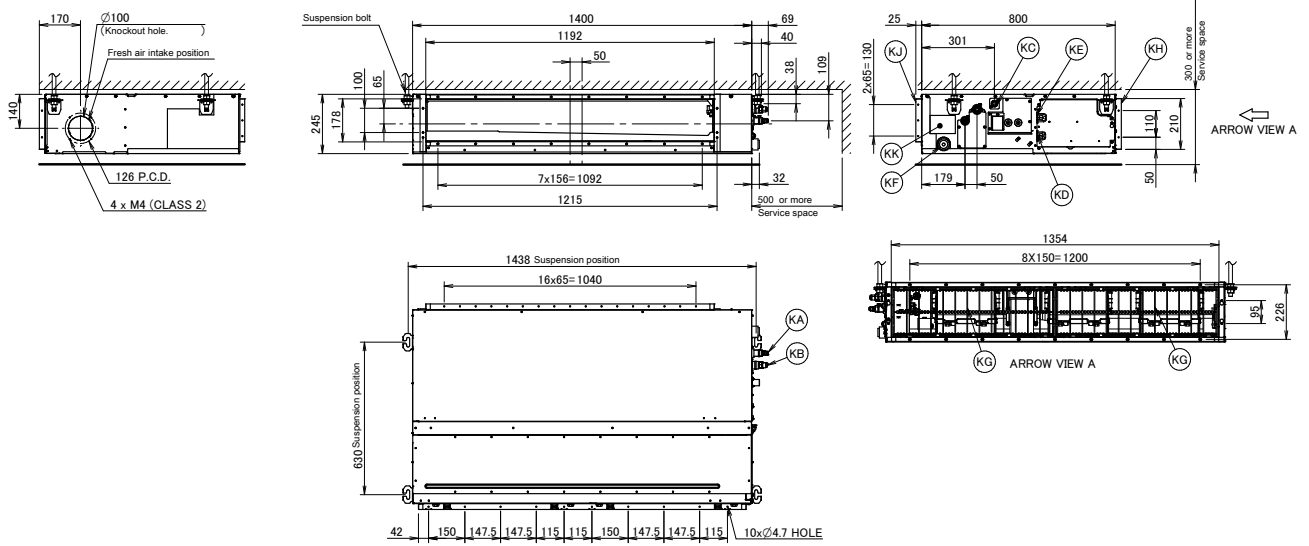
- › Automatic air flow adjustment function measures the air volume and static pressure and adjusts it towards the nominal air flow, whatever the length of duct, making installation easier and guaranteeing comfort. Moreover, the ESP can be changed via the wired remote control to optimize the supply air volume (for 50 and 63 class)
- › Narrow ceilings voids are no longer a challenge, 50 & 60 class units can swiftly be integrated as they only are 245mm in height.
- › High external static pressure up to 270Pa facilitates using flexible ducts of varying lengths
- › Discretely concealed in the ceiling: only the suction and discharge grilles are visible



Indoor unit		FXTQ	50A	63A	80A	100A	
Cooling capacity	Nom.	kW	5.6	7.1	8.7	11.2	
Heating capacity	Nom.	kW	6.3	8.0	10.0	12.5	
Power input - 50Hz	Cooling	Nom.	kW	0.214	0.243	1.294	1.465
	Heating	Nom.	kW	0.211	0.240	1.294	1.465
Dimensions	Unit	Height	mm	245		470	
		Width	mm	1,400	1,550	1,380	
		Depth	mm	800		1,100	
Weight	Unit	kg	47	51	137		
Casing	Material		Galvanised steel plate				
Fan-Air flow rate - 50Hz	Cooling	High/Low	m <sup>3</sup> /min	36/26	39/28	58/50	72/62
Fan-External static pressure - 50Hz	High/Nom.		Pa	150/50	140/50	221/132	270/191
Sound power level	Cooling	Nom.	dBA	-			
Sound pressure level	Cooling	High/Low	dBA	39/33	42/34	48/45	
Refrigerant	Type			R-410A			
Piping connections	Liquid	OD	mm	9.52			
	Gas	OD	mm	15.9		19.1	22.2
	Drain			VP20		PS1B	
Power supply	Phase/Frequency/Voltage	Hz/V		1~/50/60/220-240/220			
Current - 50Hz	Maximum fuse amps (MFA)	A		16		15	
Control systems	Infrared remote control			BRC4C65			
	Simplified wired remote control for hotel applications			BRC2E52C (heat recovery) / BRC3E52C (heat pump)			
	Wired remote control			BRC1D52 / BRC1E52A/B			

Only connectable to REYQ8-16T, RYYQ8-16T, RXYQ8-16T(9)

**FXTQ50A**

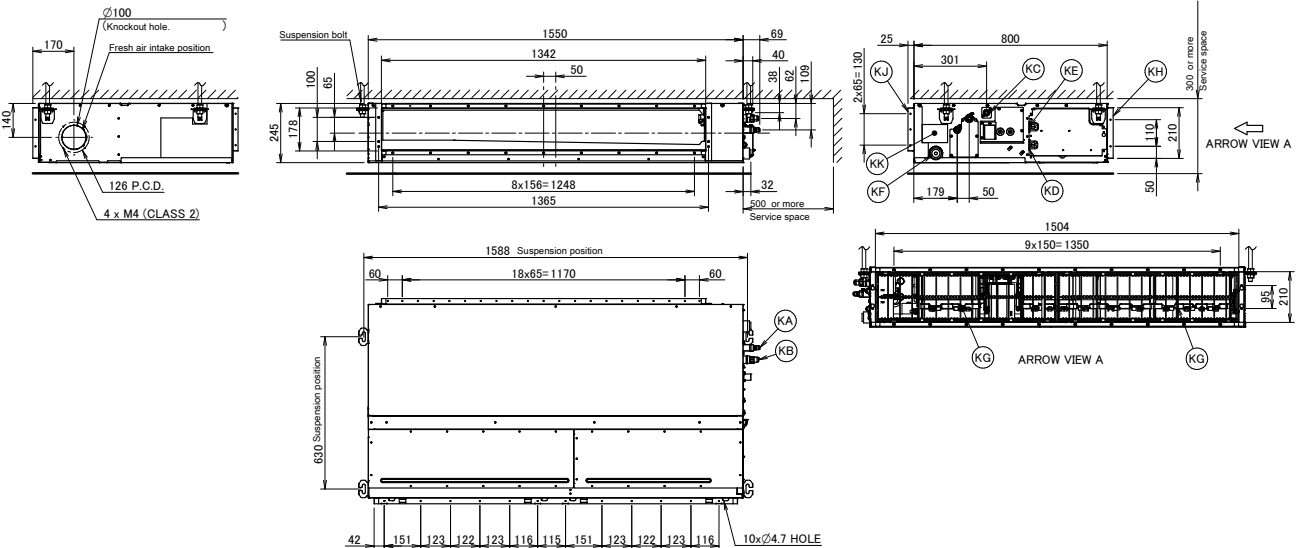


Item	Name	Description
KA	Liquid pipe connection port	Ø9.52 flared connection
KB	Gas pipe connection port	Ø15.90 flared connection
KC	Drain pipe connection	VP20 (OD Ø26, ID Ø20)
KD	Wiring connection	/
KE	Power supply connection	/
KF	Drain outlet	VP20 (OD Ø26, ID Ø20)
KG	Air filter	/
KH	Air suction side	/
KJ	Air discharge side	/
KK	Nameplate	/

- Notes
1. When installing optional accessories, refer to their respective documentation.
  2. The ceiling depth varies according to the documentation of the specific system.
  3. Editable data for this drawing are available in the GDE (E-BOM) system.

3D098385

**FXTQ63A**



Item	Name	Description
KA	Liquid pipe connection port	Ø9.52 flared connection
KB	Gas pipe connection port	Ø15.90 flared connection
KC	Drain pipe connection	VP20 (OD Ø26, ID Ø20)
KD	Wiring connection	/
KE	Power supply connection	/
KF	Drain outlet	VP20 (OD Ø26, ID Ø20)
KG	Air filter	/
KH	Air suction side	/
KJ	Air discharge side	/
KK	Nameplate	/

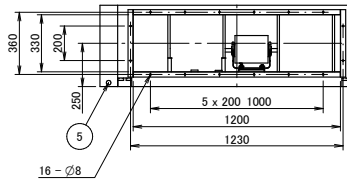
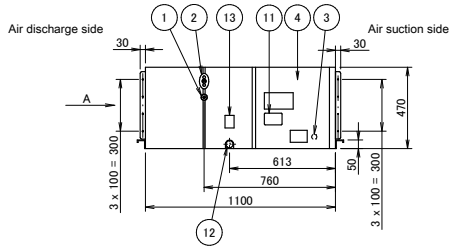
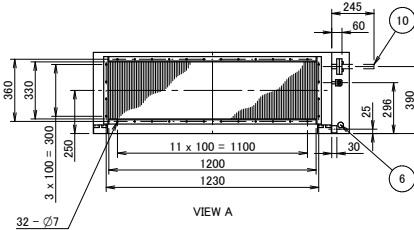
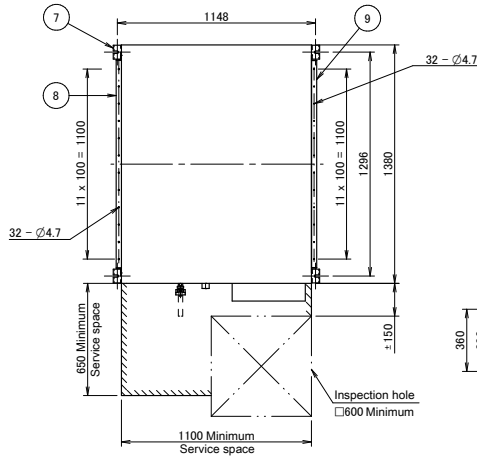
- Notes
1. When installing optional accessories, refer to their respective documentation.
  2. The ceiling depth varies according to the documentation of the specific system.
  3. Editable data for this drawing are available in the GDE (E-BOM) system.

3D098386

**FXTQ80-100A**

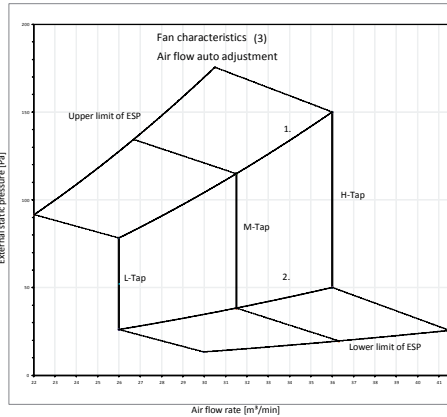
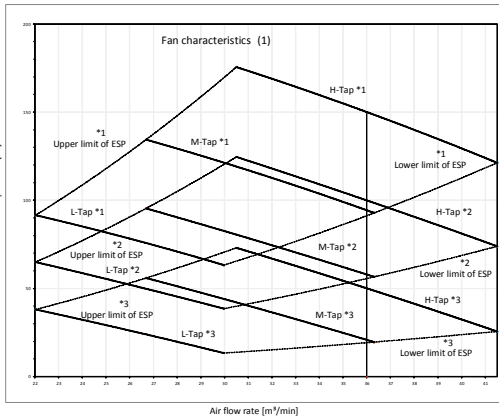
Field piping		
Indoor unit	Gas side Ø	Liquid side Ø
FXTQ80A7VEB	Ø19.1 Accessory pipe	Ø9.5
FXTQ100A7VEB	Ø22.2 Accessory pipe	Ø9.5

	Name	Description
①	Liquid pipe connection port	Flare connection
②	Gas pipe connection port	Brazed connection
③	Grounding terminal	Inside of the switch box (M5)
④	Control box	
⑤	Power supply connection	
⑥	Transmission wiring connection	
⑦	Hook	M10
⑧	Air discharge side	
⑨	Air suction side	
⑩	Accessory pipe	Brazed connection
⑪	Nameplate	
⑫	Drain pipe connection	Internal pipe thread PS1B Largest diameter Ø33, 349 Smallest diameter Ø30, 391
⑬	Water inlet	



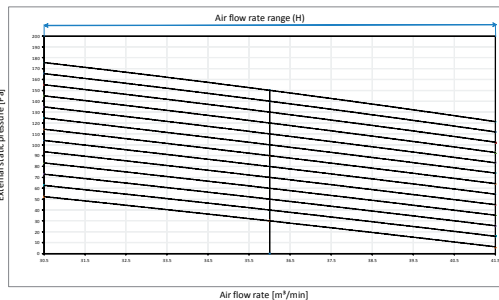
3D098090

**FXTQ50A**



Tap	ESP (Pa)
*1	100
*2	120
*3	140

Fan characteristics (2)  
Field setting with remote control



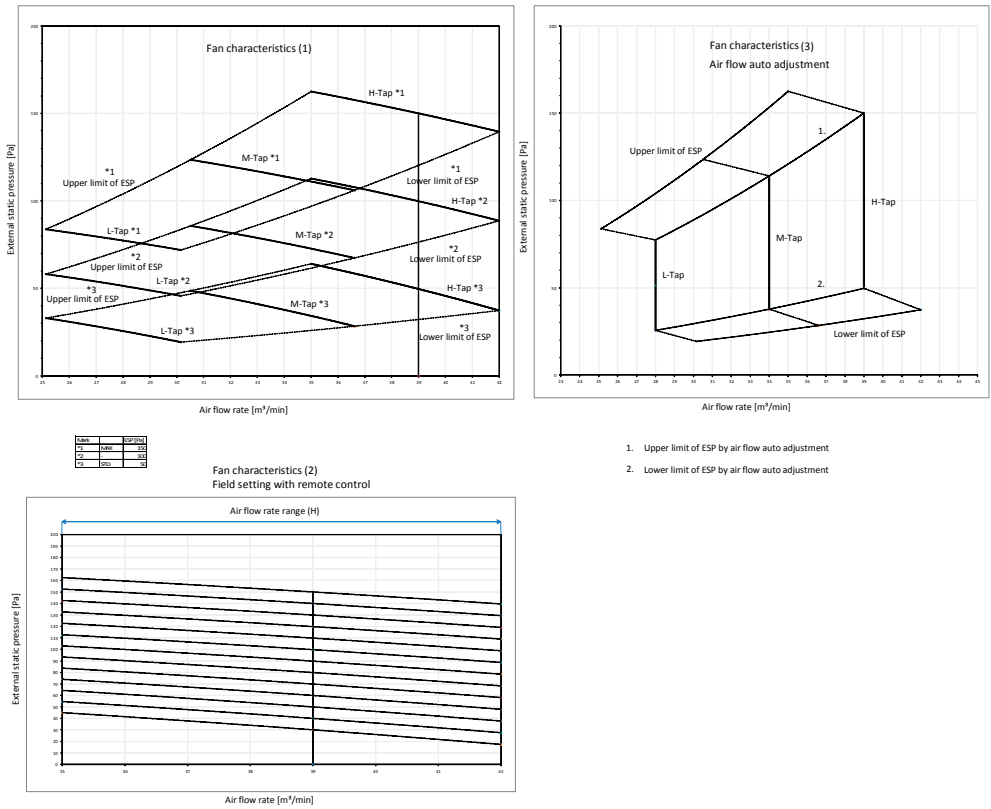
1. Upper limit of ESP by air flow auto adjustment
2. Lower limit of ESP by air flow auto adjustment

Notes:

1. Fan characteristics as shown are in "fan only" mode.
2. ESP: External static pressure.
3. Editable data for this dwg. are available in GDE (e-bom) system.

3D098396

**FXTQ63A**

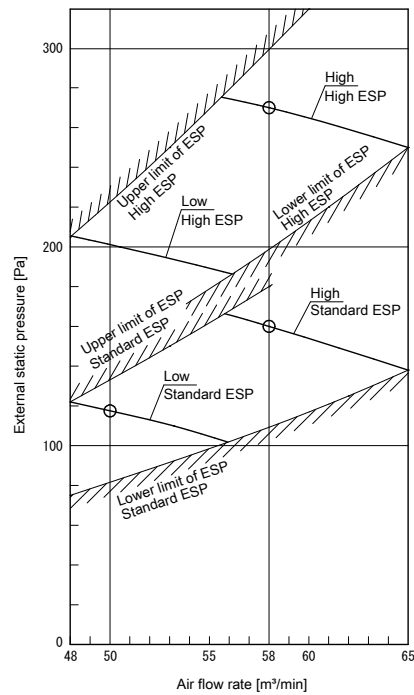


Notes:

1. Fan characteristics as shown are in "fan only" mode.
2. ESP: External static pressure.
3. Editable data for this dwg. are available in GDE (e-bom) system.

3D098397

**FXTQ80A**

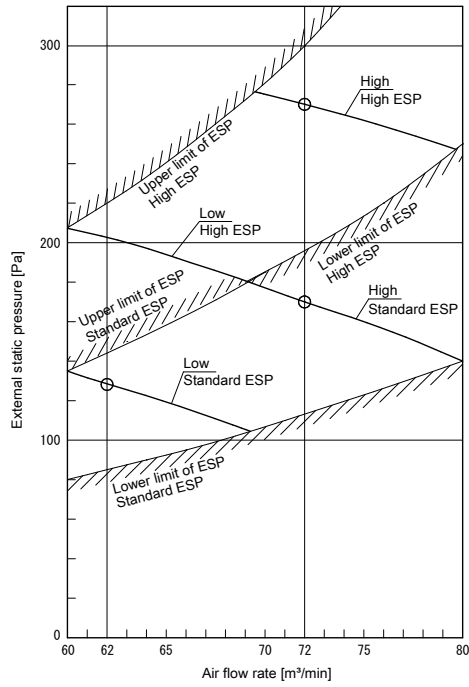


Notes

1. The remote controller can be used to switch between 'high' and 'low'.
2. The air flow is factory-set to 'standard'. It is possible to switch between 'standard ESP' and 'high ESP' by remote controller setting.

4D098100

**FXTQ100A**



**Notes**

1. The remote controller can be used to switch between 'high' and 'low'.
2. The air flow is factory-set to 'standard'. It is possible to switch between 'standard ESP' and 'high ESP' by remote controller setting.

4D098101