

VRV SYSTEM Inverter Air Conditioners

MODELS

Ceiling-mounted Duct type

FXMQ40MVE	FXMQ100MVE	FXMQ40MAVE	FXMQ100MAVE
FXMQ50MVE	FXMQ125MVE	FXMQ50MAVE	FXMQ125MAVE
FXMQ63MVE	FXMQ200MVE	FXMQ63MAVE	FXMQ200MAVE
FXMQ80MVE	FXMQ250MVE	FXMQ80MAVE	FXMQ250MAVE

READ THESE INSTRUCTIONS CAREFULLY BEFORE INSTALLATION.
KEEP THIS MANUAL IN A HANDY PLACE FOR FUTURE REFERENCE.

LESEN SIE DIESE ANWEISUNGEN VOR DER INSTALLATION SORGFÄLTIG DURCH.
BEWAHREN SIE DIESE ANLEITUNG FÜR SPÄTERE BEZUGNAHME GRIFFBEREIT AUF.

LIRE SOIGNEUSEMENT CES INSTRUCTIONS AVANT L'INSTALLATION.
CONSERVER CE MANUEL A PORTEE DE MAIN POUR REFERENCE ULTERIEURE.

LEA CUIDADOSAMENTE ESTAS INSTRUCCIONES ANTES DE INSTALAR.
GUARDE ESTE MANUAL EN UN LUGAR A MANO PARA LEER EN CASO DE TENER
ALGUNA DUDA.

PRIMA DELL'INSTALLAZIONE LEGGERE ATTENTAMENTE QUESTE ISTRUZIONI.
TENERE QUESTO MANUALE A PORTATA DI MANO PER RIFERIMENTI FUTURI.

ΔΙΑΒΑΣΤΕ ΠΡΟΣΕΚΤΙΚΑ ΑΥΤΕΣ ΤΙΣ ΟΔΗΓΙΕΣ ΠΡΙΝ ΑΠΟ ΤΗΝ ΕΓΚΑΤΑΣΤΑΣΗ ΕΧΕΤΕ ΑΥΤΟ
ΤΟ ΕΓΧΕΙΡΙΔΙΟ ΕΥΚΑΙΡΟ ΓΙΑ ΝΑ ΤΟ ΣΥΜΒΟΥΛΕΥΕΣΤΕ ΣΤΟ ΜΕΛΛΟΝ.

LEES DEZE INSTRUCTIES ZORGVULDIG DOOR VOOR INSTALLATIE. BEWAAR DEZE HAN-
DLEINDING WAAR U HEM KUNT TERUGVINDEN VOOR LATERE NASLAG.

LEIA COM ATENÇÃO ESTAS INSTRUÇÕES ANTES DE REALIZAR A INSTALAÇÃO.
MANTENHA ESTE MANUAL AO SEU ALCANCE PARA FUTURAS CONSULTAS.

ПЕРЕД НАЧАЛОМ МОНТАЖА ВНИМАТЕЛЬНО ОЗНАКОМЬТЕСЬ С ДАННЫМИ
ИНСТРУКЦИЯМИ. СОХРАНИТЕ ДАННОЕ РУКОВОДСТВО В МЕСТЕ, УДОБНОМ ДЛЯ
ОБРАЩЕНИЯ В БУДУЩЕМ.

安裝前務必仔細閱讀此安裝指南，閱後妥善保存，以便隨時參看。

安装前务必仔细阅读此安装指南，阅后妥善保存，以便随时参看。

English

Deutsch

Français

Español

Italiano

Ελληνικά

Nederlands

Portugues

Русский

中文
(繁體)中文
(简体)

CONTENTS

1. SAFETY CONSIDERATIONS 1
 2. BEFORE INSTALLATION..... 2
 3. SELECTING INSTALLATION SITE 3
 4. PREPARATIONS BEFORE INSTALLATION 4
 5. INDOOR UNIT INSTALLATION..... 4
 6. REFRIGERANT PIPING WORK 5
 7. DRAIN PIPING WORK 6
 8. ELECTRIC WIRING WORK 7
 9. WIRING EXAMPLE AND HOW TO SET
 THE REMOTE CONTROLLER 7
 10. FIELD SETTING..... 10
 11. TEST OPERATION 10

1. SAFETY CONSIDERATIONS


Please read these “SAFETY CONSIDERATIONS” carefully before installing air conditioning equipment and be sure to install it correctly. After completing the installation, make sure that the unit operates properly during the start-up operation. Please instruct the customer on how to operate the unit and keep it maintained.


Also, inform customers that they should store this installation manual along with the operation manual for future reference. This air conditioner comes under the term “appliances not accessible to the general public”.

Safety Precaution

This unit is a class A product. In a domestic environment this product may cause radio interference in which case the user may be required to take adequate measures.

Meaning of warning and caution symbols.

 **WARNING** Failure to observe a warning may result in death or serious injury.

 **CAUTION** Failure to observe a caution may result in injury or damage to the equipment.

—  WARNING —

- Ask your dealer or qualified personnel to carry out installation work. Do not try to install the machine yourself. Improper installation may result in water leakage, electric shocks or fire.
- Perform installation work in accordance with this installation manual. Improper installation may result in water leakage, electric shocks or fire.
- When installing the unit in a small room, take measures against to keep refrigerant concentration from exceeding allowable safety limits in the event of refrigerant leakage. Contact the place of purchase for more information. Excessive refrigerant in a closed ambient can lead to oxygen deficiency.
- Be sure to use only the specified accessories and parts for installation work. Failure to use the specified parts may result in water leakage, electric shocks, fire or the unit falling.
- Install the air conditioner on a foundation strong enough to withstand the weight of the unit. A foundation of insufficient strength may result in the equipment falling and causing injuries.

- Carry out the specified installation work after taking into account strong winds, typhoons or earthquakes. Improper installation work may result in the equipment falling and causing accidents.
- Make sure that a separate power supply circuit is provided for this unit and that all electrical work is carried out by qualified personnel according to local laws and regulations and this installation manual. An insufficient power supply capacity or improper electrical construction may lead to electric shocks or fire.
- Make sure that all wiring is secured, the specified wires and used, and no external forces act on the terminal connections or wires. Improper connections or installation may result in fire.
- When wiring the power supply and connecting the remote controller wiring and transmission wiring, position the wires so that the electric parts box lid can be securely fastened. Improper positioning of the electric parts box lid may result in electric shocks, fire or the terminals overheating.
- If the refrigerant gas leaks during installation, ventilate the area immediately. Toxic gas may be produced if the refrigerant gas comes into contact with fire.
- After completing the installation work, check that the refrigerant gas does not leak. Toxic gas may be produced if the refrigerant gas leaks into the room and comes into contact with a source of fire, such as a fan heater, stove or cooker.
- Before touching electrical parts, turn off the unit.
- Be sure to establish an earth. Do not earth the unit to a utility pipe, arrester, or telephone earth. Incomplete earth may cause electrical shock, or fire. A high surge current from lightning or other sources may cause damage to the air conditioner.
- Be sure to install an earth leakage breaker. Failure to install an earth leakage breaker may result in electric shocks, or fire.

—  CAUTION —

- While following the instructions in this installation manual, install drain piping in order to ensure proper drainage and insulate piping in order to prevent condensation. Improper drain piping may result in water leakage and property damage.
- Install the indoor and outdoor units, power supply wiring and connecting wires at least 1 meter away from televisions or radios in order to prevent image interference or noise. (Depending on the radio waves, a distance of 1 meter may not be sufficient enough to eliminate the noise.)
- Remote controller (wireless kit) transmitting distance can result shorter than expected in rooms with electronic fluorescent lamps. (inverter or rapid start types) Install the indoor unit as far away from fluorescent lamps as possible.
- Do not install the air conditioner in the following locations:
 - (a) where a mineral oil mist or an oil spray or vapor is produced, for example in a kitchen
Plastic parts may deteriorate and fall off or result in water leakage.
 - (b) where corrosive gas, such as sulfurous acid gas, is produced
Corroding copper pipes or soldered parts may result in refrigerant leakage.

- (c) near machinery emitting electromagnetic waves
Electromagnetic waves may disturb the operation of the control system and result in a malfunction of the equipment.
- (d) where flammable gases may leak, where there are carbon fiber or ignitable dust suspensions in the air, or where volatile flammables such as thinner or gasoline are handled.
Operating the unit in such conditions may result in fire.

2. BEFORE INSTALLATION

- When moving the unit while removing it from the carton box, be sure to lift it by holding on to the four lifting lugs without exerting any pressure on other parts, especially, the refrigerant piping, drain piping, and other resin parts.
- Be sure to check the type of R410A refrigerant to be used before installing the unit. (Using an incorrect refrigerant will prevent normal operation of the unit.)
- The accessories needed for installation must be retained in your custody until the installation work is completed. Do not discard them!
- Decide upon a line of transport.
- Leave the unit inside its packaging while moving, until reaching the installation site. Where unpacking is unavoidable, use a sling of soft material or protective plates together with a rope when lifting, to avoid damage or scratches to the unit.
- When moving the unit at or after opening, hold the unit by the hanger brackets (× 4). Do not apply force to the refrigerant piping, drain piping or plastic parts.
- For the installation of an outdoor unit, refer to the installation manual attached to the outdoor unit.
- Do not install or operate the unit in rooms mentioned below.
 - **Laden with mineral oil, or filled with oil vapor or spray like in kitchens. (Plastic parts may deteriorate which could eventually cause the unit to fall out of place, or could lead to leaks.)**
 - **Where corrosive gas like sulfurous gas exists. (Copper tubing and brazed spots may corrode which could eventually lead to refrigerant leaks.)**
 - **Where exposed to combustible gases and where volatile flammable gas like thinner or gasoline is used. (Gas in the vicinity of the unit could ignite.)**
 - **Where machines can generate electromagnetic waves. (Control system may malfunction.)**
 - **Where the air contains high levels of salt such as that near the ocean and where voltage fluctuates greatly such as that in factories.**
Also in vehicles or vessels.
- This unit, both indoor and outdoor, is suitable for installation in a commercial and light industrial environment.
If installed as a household appliance it could cause electromagnetic interference.



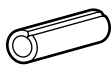
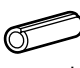


2-1 PRECAUTIONS



- Be sure to read this manual before installing the indoor unit.
- Entrust installation to the place of purchase or a qualified serviceman. Improper installation could lead to leaks and, in worse cases, electric shock or fire.
- Use only parts provided with the unit or parts satisfying required specifications. Unspecified parts could cause the unit to fall out of place, or could lead to leaks and, in worse cases, electric shock or fire.
- Be sure to mount an air filter (part to be procured in the field) in the suction air passage in order to prevent water leaking, etc.

2-2 ACCESSORIES

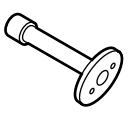
Check the following accessories are included with your unit.

(FXMQ40 · 50 · 63 · 80 · 100 · 125M(A)VE)

Name	Metal clamp	Drain hose	Insulation for fitting	Sealing pad
Quantity	1 pc.	1 pc.	1 each.	1 each.
Shape			 for liquid pipe  for gas pipe	 Large  Small

Name	Clamp	Screws for duct flanges	(Other)				
Quantity	6 pcs.	As described in table below					
Shape		 <table border="1"> <tr> <td>FXMQ40·50·63·80M(A)VE</td> <td>16</td> </tr> <tr> <td>FXMQ100·125M(A)VE</td> <td>28</td> </tr> </table>	FXMQ40·50·63·80M(A)VE	16	FXMQ100·125M(A)VE	28	<ul style="list-style-type: none"> • Operation manual • Installation manual • Washers (8 pcs.)
FXMQ40·50·63·80M(A)VE	16						
FXMQ100·125M(A)VE	28						

(FXMQ200 · 250M(A)VE)

Name	Attached piping (1)	(Other)
Quantity	1 set	<ul style="list-style-type: none"> • Operation manual • Installation manual • Screws for flange connection (M5) (48 pcs.) • Insulation material (for hanger)(2 pcs.) • Washers (8 pcs.) • Clamps (2 pcs.) • Hexagon head bolt for pipe frange (M10) (2pcs.) • Spring washer for pipe frange (M10) (2pcs.)
Shape		

2-3 OPTIONAL ACCESSORIES

- These are two types of remote controllers: wired and wireless. Select a remote controller according to customer request and install in an appropriate place.

Table 1

Remote controller	
Wired type	
Wireless type	Heat pump type
	Cooling only type

NOTE

- If you wish to use a remote controller that is not listed in Table 1, select a suitable remote controller after consulting catalogs and technical materials.

FOR THE FOLLOWING ITEMS, TAKE SPECIAL CARE DURING CONSTRUCTION AND CHECK AFTER INSTALLATION IS FINISHED.

a. Items to be checked after completion of work

Items to be checked	If not properly done, what is likely to occur.	Check
Are the indoor and outdoor unit fixed firmly?	The units may drop, vibrate or make noise.	
Is the gas leak test finished?	It may result in insufficient cooling.	
Is the unit fully insulated?	Condensate water may drip.	
Dose drainage flow smoothly?	Condensate water may drip.	
Dose the power supply voltage correspond to that shown on the name plate?	The unit may malfunction or the components burn out.	
Are wiring and piping correct?	The unit may malfunction or the components burn out.	
Is the unit safely grounded?	Dangerous at electric leakage.	
Is wiring size according to specifications?	The unit may malfunction or the components burn out.	
Is something blocking the air outlet or inlet of either the indoor or outdoor units?	It may result in insufficient cooling.	
Are refrigerant piping length and additional refrigerant charge noted down?	The refrigerant charge in the system is not clear.	

b. Items to be checked at time of delivery

Also review the "SAFETY CONSIDERATIONS"

Items to be checked	Check
Did you explain about operations while showing the instruction manual to your customer?	
Did you hand the instruction manual over to your customer?	

c. Points for explanation about operations

The items with **⚠ WARNING** and **⚠ CAUTION** marks in the instruction manual are the items pertaining to possibilities for bodily injury and material damage in addition to the general usage of the product. Accordingly, it is necessary that you make a full explanation about the described contents and also ask your customers to read the instruction manual.

2-4 NOTE TO INSTALLER

- Be sure to instruct customers how to properly operate the unit (especially cleaning filters, operating different functions, and adjusting the temperature) by having them carry out operations themselves while looking at the manual.

3. SELECTING INSTALLATION SITE

Please attach additional thermal insulation material to the unit body when it is believed that the relative humidity in the ceiling exceeds 80%. Use glass wool, polyethylene foam, or similar with a thickness of 10 mm or more as thermal insulation material.

- (1) Select an installation site where the following conditions are fulfilled and that meets with your customer's approval.
- In the upper space (including the back of the ceiling) of the indoor unit where there is no possible dripping of water from the refrigerant pipe, drain pipe, water pipe, etc.
 - Where optimum air distribution can be ensured.
 - Where nothing blocks the air passage.
 - Where condensate can be properly drained.

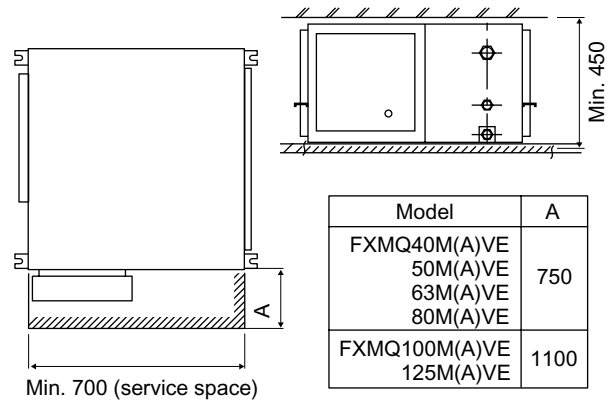
- If supporting structural members are not strong enough to take the unit's weight, the unit could fall out of place and cause serious injury.
- Where the false ceiling is not noticeably on an incline.
- Where there is no risk of flammable gas leakage.
- Where sufficient clearance for maintenance and service can be ensured. **(Refer to Fig. 1)**
- Where piping between indoor and outdoor units is possible within the allowable limit. (Refer to the installation manual of the outdoor unit.)

⚠ CAUTION

- Install the indoor and outdoor units, power supply wiring and connecting wires at least 1 meter away from televisions or radios in order to prevent image interference or noise. (Depending on the radio waves, a distance of 1 meter may not be sufficient enough to eliminate the noise.)

- (2) **Use suspension bolts for installation. Check whether the ceiling is strong enough to support the weight of the unit or not. If there is a risk, reinforce the ceiling before installing the unit.**

<FXMQ40 · 50 · 63 · 80 · 100 · 125M(A)VE>



<FXMQ200 · 250M(A)VE>

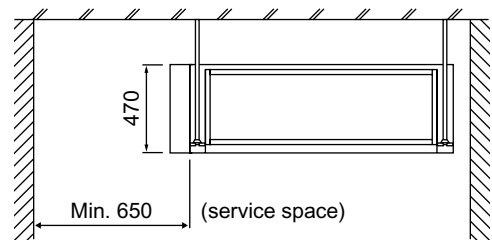
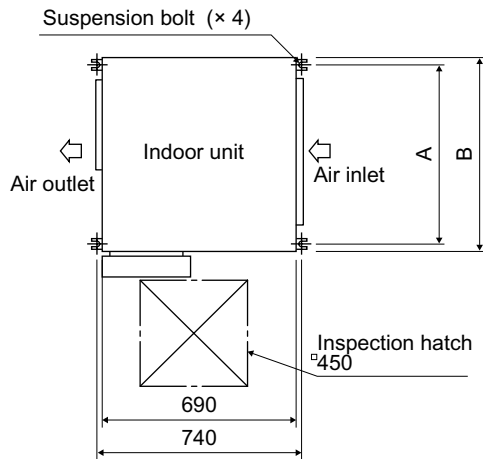


Fig. 1 (length: mm)

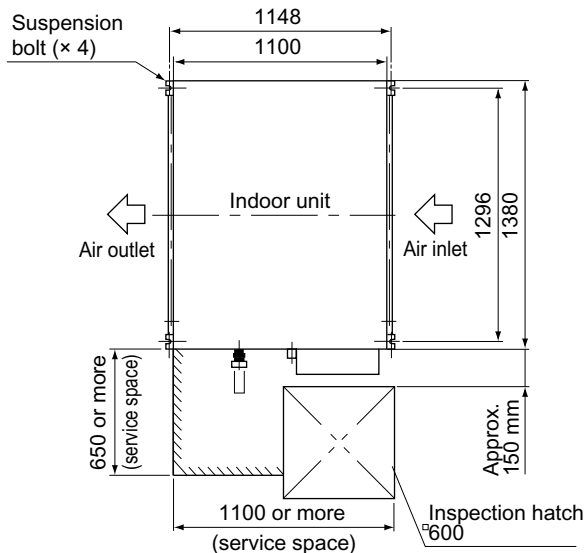
4. PREPARATIONS BEFORE INSTALLATION

(1) Relative positions of indoor unit and suspension bolt. (Refer to Fig. 2)

<FXMQ40 · 50 · 63 · 80 · 100 · 125M(A)VE>



<FXMQ200 · 250M(A)VE>

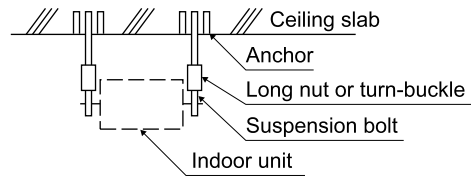


Model	A	B
FXMQ40M(A)VE 50M(A)VE 63M(A)VE 80M(A)VE	670	720
FXMQ100M(A)VE 125M(A)VE	1060	1110

Fig. 2 (length: mm)

- (2) Install a canvass duct to the air discharge outlet and air inlet so that vibration from the machine body isn't transmitted to the duct or ceiling.
You should also apply acoustic (insulation material) to the inside of the duct, and vibration insulation rubber to the suspension bolts.
- (3) Install suspension bolts.
(Use bolts of 10 mm diameter.)
 - Install the equipment where supporting structures are strong enough to bear the equipment's weight. Use embedded inserts or anchor bolts with new buildings and hole-in-anchors with old buildings.

< Installation example >



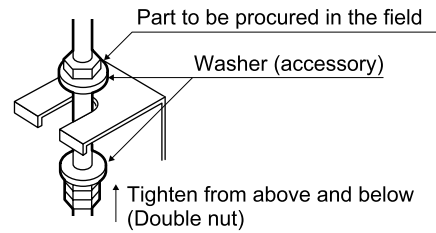
Note) All the above parts are field supplied.

5. INDOOR UNIT INSTALLATION

Installing optional accessories before installing the indoor unit is easier.

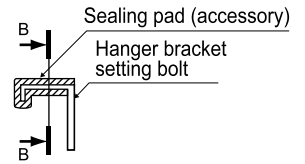
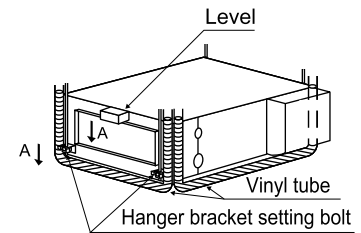
As for the parts to be used for installation work, be sure to use the provided accessories and specified parts designated by our company.

- (1) Fix the hanger bracket to the suspension bolt. Tighten both upper and lower nuts firmly using washers.



- (2) Adjust the height of the unit.
- (3) Make sure the unit is level.

- Level the unit with a level when installing. If the unit is not level, it could become the source of water leaks.
- When leveling the unit, check all four corners with a level or a vinyl tube containing water. (See the figure on the right.)



A-A cross-section



B-B cross-section

- (4) Tighten the nuts on the top.
- (5) Insulate the two hanger brackets on the discharge side with the sealing pad. (× 2) Insulate the edges so that the surface and edges of the hanger brackets cannot be seen.
(FXMQ200 · 250M(A)VE)

CAUTION

Setting the unit at an angle opposite to the drain piping might cause leaks.

6. REFRIGERANT PIPING WORK

⟨For refrigerant piping of outdoor units, see the installation manual attached to the outdoor unit.⟩

⟨Execute heat insulation work completely on both sides of the gas piping and the liquid piping. Otherwise, a water leakage can result sometimes.⟩

(When using a heat pump, the temperature of the gas piping can reach up to approximately 120°C, so use insulation which is sufficiently resistant.)

⟨Also, in cases where the temperature and humidity of the refrigerant piping sections might exceed 30°C or RH80%, reinforce the refrigerant insulation. (20 mm or thicker) Condensation may form on the surface of the insulating material.⟩

⟨Before refrigerant piping work, check which type of refrigerant is used. Proper operation is not possible if the types of refrigerant are not the same.⟩

⚠ CAUTION

- Use a pipe cutter and flare suitable for the type of refrigerant.
- Apply ester oil or ether oil around the flare portions before connecting.
- To prevent dust, moisture or other foreign matter from infiltrating the tube, either pinch the end or cover it with tape.
- Do not allow anything other than the designated refrigerant to get mixed into the refrigerant circuit, such as air, etc. If any refrigerant gas leaks while working on the unit, ventilate the room thoroughly right away.

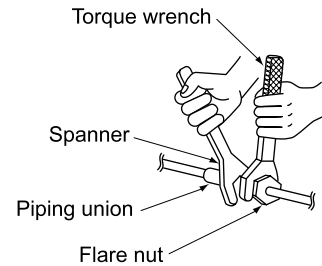
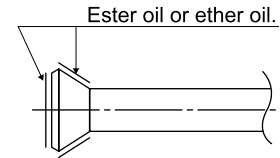
- The outdoor unit is charged with refrigerant.
- Be sure to use both a spanner and torque wrench together, as shown in the drawing, when connecting or disconnecting pipes to/from the unit.
- To prevent flare nut cracking and gas leaks, be sure to use both a spanner and torque wrench together, as shown in the drawing below, when connecting or disconnecting pipes to/from the unit.
- Refer to the Table 2 for the dimensions of flare nut spaces.
- When connecting the flare nut, coat the flare section (both inside and outside) with ester oil or ether oil, rotate three or four times first, then screw in.
- Refer to the Table 2 for tightening torque.
- Ventilate if refrigerant gas leaks while performing work.

Table 2

Pipe size	Tightening torque	Flare dimensions A (mm)	Flare shape
φ 6.4 (1/4")	14.2 – 17.2N·m	8.7 – 9.1	
φ 9.5 (3/8")	32.7 – 39.9N·m	12.8 – 13.2	
φ 12.7 (1/2")	49.5 – 60.3N·m	16.2 – 16.6	
φ 15.9 (5/8")	61.8 – 75.4N·m	19.3 – 19.7	

NOTE

The flare nuts used must be those included with the main body.



⚠ CAUTION

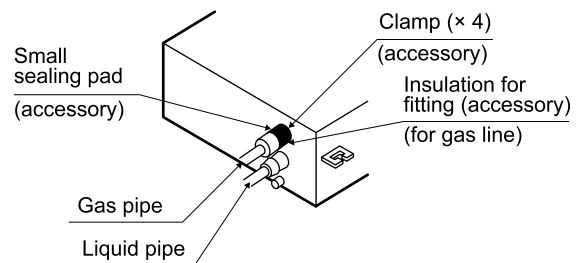
Over-tightening may damage the flare and cause a refrigerant leakage.

Use "Table 3" as a reference if a torque wrench is not available. Once work is complete, make sure there is no gas leaking. As the flare nut is tightened with the wrench, the torque will suddenly increase. From that position, tighten the nut to the angle shown on "Table 3".

- After checking the pipe-connection for gas leakage, be sure to insulate the liquid and gas piping, referring to the figure below.
- Wrap the sealing pad (accessory) only around the insulation for the joints on the gas piping side.

⚠ CAUTION

Be sure to insulate any field piping all the way to the piping connection inside the unit. Any exposed piping may cause condensation or burns if touched.



NOTE

- Attached piping is needed for connecting gas piping of FXMQ200 · 250M(A)VE. Use attached piping according to the size of the piping to be connected. When connecting the included piping, use the included piping flange hex bolts (2) and spring washers (2).
- Connect refrigerant piping and branching according to the attached installation manuals that come with the outdoor unit.

Indoor units to be connected	Gas piping diameter	Liquid piping diameter
FXMQ200M(A)VE	φ19.1 Use attached piping.	φ9.5
FXMQ250M(A)VE	φ22.2 Use attached piping.	φ9.5

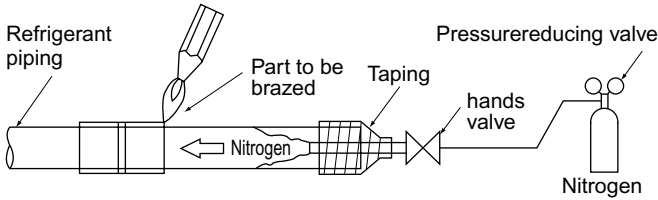
CAUTION

CAUTION TO BE TAKEN WHEN BRAZING REFRIGERANT PIPING

Do not use flux when brazing refrigerant piping. Therefore, use the phosphor copper brazing filler metal (BCuP-2: JIS Z 3264/B-Cu93P-710/795: ISO 3677) which does not require flux.

(Flux has extremely harmful influence on refrigerant piping systems. For instance, if the chlorine based flux is used, it will cause pipe corrosion or, in particular, if the flux contains fluorine, it will damage the refrigerant oil.)

- Before brazing local refrigerant piping, nitrogen gas shall be blown through the piping to expel air from the piping. If your brazing is done without nitrogen gas blowing, a large amount of oxide film develops inside the piping, and could cause system malfunction.
- When brazing the refrigerant piping, only begin brazing after having carried out nitrogen substitution or while inserting nitrogen into the refrigerant piping. Once this is done, connect the indoor unit with a flared or a flanged connection.
- Nitrogen should be set to 0.02 MPa with a pressure-reducing valve if brazing while inserting nitrogen into the piping.



Not recommendable but in case of emergency

You must use a torque wrench but if you are obliged to install the unit without a torque wrench, you may follow the installation method mentioned below.

After the work is finished, make sure to check that there is no gas leak.

When you keep on tightening the flare nut with a spanner, there is a point where the tightening torque suddenly increases. From that position, further tighten the flare nut the angle shown below:

Table 3

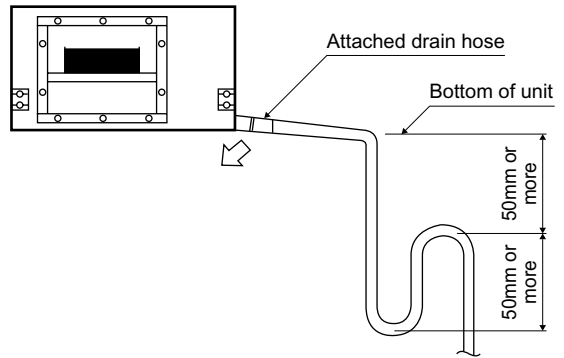
Pipe size	Further tightening angle	Recommended arm length of tool
φ 6.4 (1/4")	60 to 90 degrees	Approx. 150mm
φ 9.5 (3/8")	60 to 90 degrees	Approx. 200mm
φ 12.7 (1/2")	30 to 60 degrees	Approx. 250mm
φ 15.9 (5/8")	30 to 60 degrees	Approx. 300mm

7. DRAIN PIPING WORK

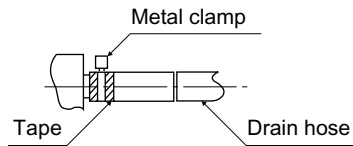
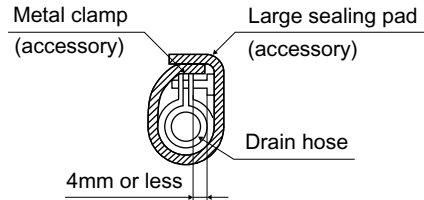
⟨⟨Rig the drain pipe as shown below and take measures against condensation. Improperly rigged piping could lead to leaks and eventually wet furniture and belongings.⟩⟩
 ⟨⟨Insulate the drain hose inside the building.⟩⟩

(1) Carry out the drain piping.

FXMQ40-125M(A)VE



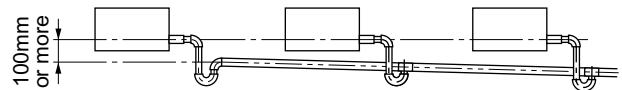
- Keep piping as short as possible and slope it downwards so that air may not remain trapped inside the pipe.
- Keep pipe size equal to or greater than that of the connecting pipe (Vinyl pipe of 25 mm nominal diam. and 32 mm outer diam.).
- Use the attached drain hose and clamp. Tighten the clamp firmly.
- Insulate the clamp metal with the sealing pad.



- There is negative pressure inside the unit relative to atmospheric pressure when the unit is running, so be sure to provide drain trap on the drain outlet. (See the figure)
- In order to prevent foreign matter from building up inside the piping, you should avoid curves as much as possible, and arrange so the trap can be cleaned.

NOTE

- If converging multiple drain pipes, install according to the procedure shown below. (Install a drain trap for each indoor unit.)



FXMQ200 · 250M(A)VE

- A drain trap need not be installed.
- The diameter of the piping is the same as that of the connecting pipe (PS1B), and should be kept equal to or greater than that of the connecting pipe.

(2) After piping work is finished, check drainage flows smoothly.

FXMQ40-125M(A)VE

- Add approximately 1 liter of water slowly from the air inlet and check drainage flow.

FXMQ200 · 250M(A)VE

- Open the water supply port, add appximately 1 liter of water slowly into the drain pan and check drainage flow.

CAUTION

- Drain piping connections
Do not connect the drain piping directly to sewage pipes that smell of ammonia. The ammonia in the sewage might enter the indoor unit through the drain pipes and corrode the heat exchanger.

8. ELECTRIC WIRING WORK

8-1 GENERAL INSTRUCTIONS

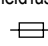
- All field supplied parts and materials and electric works must conform to local codes.
- Use copper wire only.
- For electric wiring work, refer to also "Wiring diagram label" attached to the electric parts box lid.
- For remote controller wiring details, refer to the installation manual attached to the remote controller.
- All wiring must be performed by an authorized electrician.
- This system consists of multiple indoor units. Mark each indoor unit as unit A, unit B..., and be sure the terminal board wiring to the outdoor unit and BS unit are properly matched. If wiring and piping between the outdoor unit and an indoor unit are mismatched, the system may cause a malfunction.
- A circuit breaker capable of shutting down power supply to the entire system must be installed.
- Refer to the installation manual attached to the outdoor unit for the size of power supply wiring connected to the outdoor unit, the capacity of the circuit breaker and switch, and wiring instructions.
- Be sure to ground the air conditioner.
- Do not connect the ground wire to gas and water pipes, lightning rods, or telephone ground wires.
 - Gas pipes : might cause explosions or fire if gas leaks.
 - Water pipes : no grounding effect if hard vinyl piping is used.
 - Telephone ground wires or lightning rods : might cause abnormally high electric potential in the ground during lighting storms.

8-2 ELECTRICAL CHARACTERISTICS

Model	Units			Power supply		Fan motor	
	Hz	Volts	Voltage range	MCA	MFA	kW	FLA
FXMQ40 · 50 · 63M(A)VE	50	220-240	Max. 264 Min. 198	1.3	15	0.100	1.0
FXMQ80M(A)VE				1.5	15	0.160	1.2
FXMQ100M(A)VE				2.5	15	0.270	2.0
FXMQ125M(A)VE				3.8	15	0.430	3.0
FXMQ200M(A)VE				8.1	15	0.380×2	6.5
FXMQ250M(A)VE				9.0	15	0.380×2	7.2
FXMQ40 · 50 · 63M(A)VE	60	220	Max. 242 Min. 198	1.4	15	0.100	1.1
FXMQ80M(A)VE				1.6	15	0.160	1.3
FXMQ100M(A)VE				3.0	15	0.270	2.4
FXMQ125M(A)VE				4.4	15	0.430	3.5
FXMQ200M(A)VE				9.0	15	0.380×2	7.2
FXMQ250M(A)VE				10.1	15	0.380×2	8.1

MCA: Min. Circuit Amps (A); MFA: Max. Fuse Amps (A)
kW: Fan Motor Rated Output (kW); FLA: Full Load Amps (A)

8-3 SPECIFICATIONS FOR FIELD SUPPLIED FUSES AND WIRE

Model	Power supply wiring			Remote controller wiring Transmission wiring	
	Field fuses 	Wire	Size	Wire	Size
FXMQ40 · 50 · 63M(A)VE	15A	H05VV-U3G	Size must comply with local codes.	Sheathed wire (2 wire)	0.75 - 1.25 mm ²
FXMQ80M(A)VE					
FXMQ100M(A)VE					
FXMQ125M(A)VE					
FXMQ200M(A)VE					
FXMQ250M(A)VE					

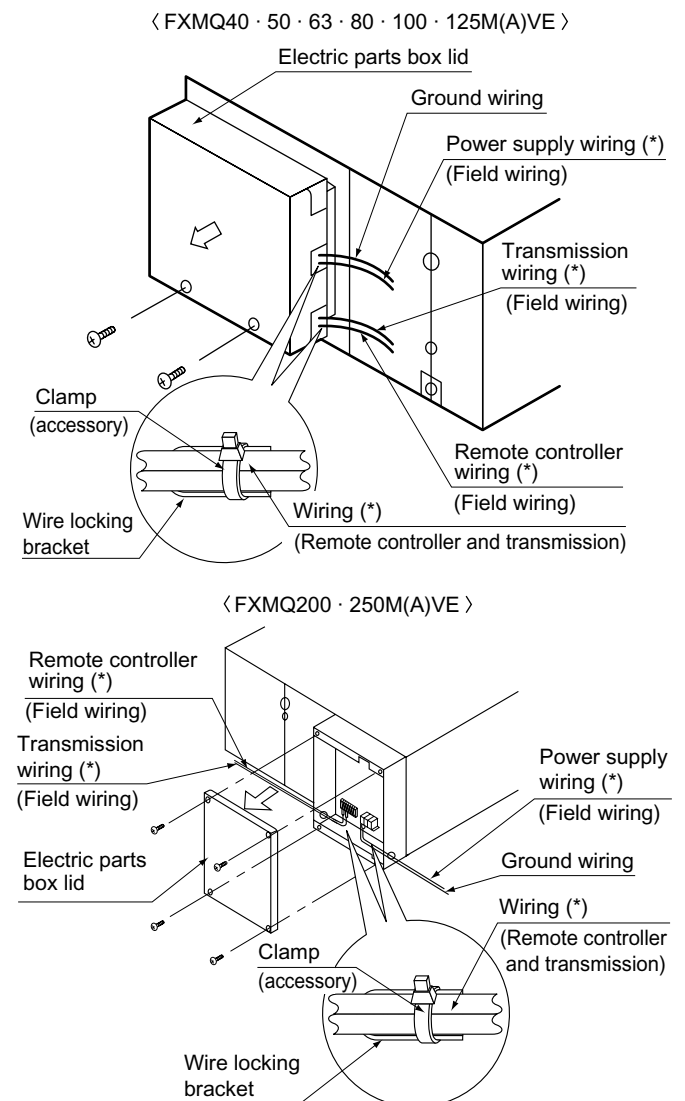
NOTE

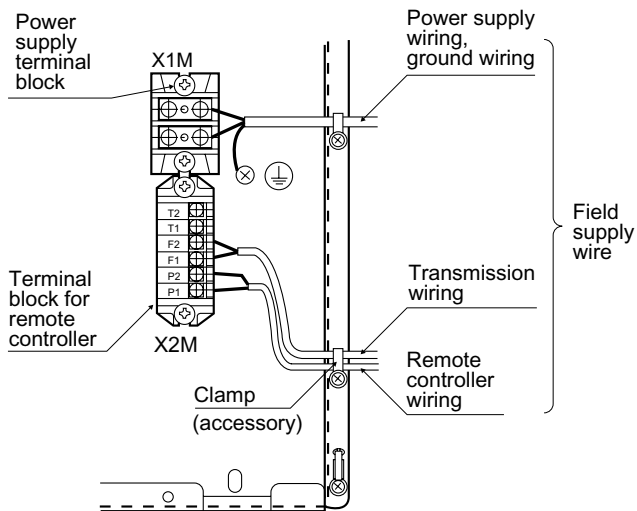
1. Allowable length of transmission wiring between indoor/outdoor units and between the indoor unit and the remote controller is as follows.
 - (1) Outdoor unit – Indoor unit:
Max. 1000 m (Total wiring length: 2000 m)
 - (2) Indoor unit – Remote controller:
Max. 500 m

9. WIRING EXAMPLE AND HOW TO SET THE REMOTE CONTROLLER

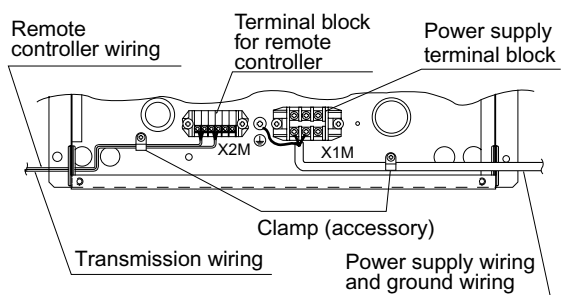
9-1 HOW TO CONNECT WIRINGS

(Remove the electric parts box lid and wire as shown in the figure below.)





$\langle \text{FXMQ40} \cdot 50 \cdot 63 \cdot 80 \cdot 100 \cdot 125\text{M(A)VE} \rangle$



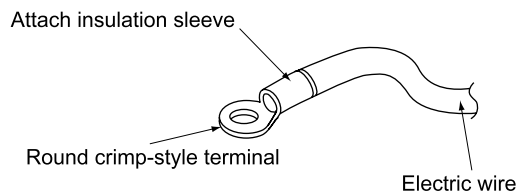
$\langle \text{FXMQ200} \cdot 250\text{M(A)VE} \rangle$

CAUTION

- Be sure to attach the sealing material or putty (field supplied) to hole of wiring to prevent the infiltration of water as well as any insects and other small creatures from outside. Otherwise a short-circuit may occur inside the electric parts box.
- When clamping the wires, be sure no pressure is applied to the wire connections by using the included clamping material to make appropriate clamps. Also, when wiring, make sure the lid on the electric parts box fits snugly by arranging the wires neatly and attaching the electric parts box lid firmly. When attaching the electric parts box lid, make sure no wires get caught in the edges. Pass wiring through the wiring through holes to prevent damage to them.
- Make sure the remote controller wiring, the wiring between the units, and other electrical wiring do not pass through the same locations outside of the unit, separating them by at least 50mm, otherwise electrical noise (external static) could cause mistaken operation or breakage.

[PRECAUTIONS]

1. Use round crimp-style terminals for connecting wires to the power supply terminal block.
If unavailable, observe the following points when wiring.
 - Do not connect wires of different gauge to the same power supply terminal.
(Looseness in the connection may cause overheating.)
 - Use the specified electric wire. Connect the wire securely to the terminal. Lock the wire down without applying excessive force to the terminal. (Tightening torque: $131\text{N}\cdot\text{cm} \pm 10\%$)



2. Tightening torque for the terminal screws.

- Use the correct screwdriver for tightening the terminal screws. If the blade of screwdriver is too small, the head of the screw might be damaged, and the screw will not be properly tightened.
- If the terminal screws are tightened too hard, screws might be damaged.
- Refer to the table below for the tightening torque of the terminal screws.

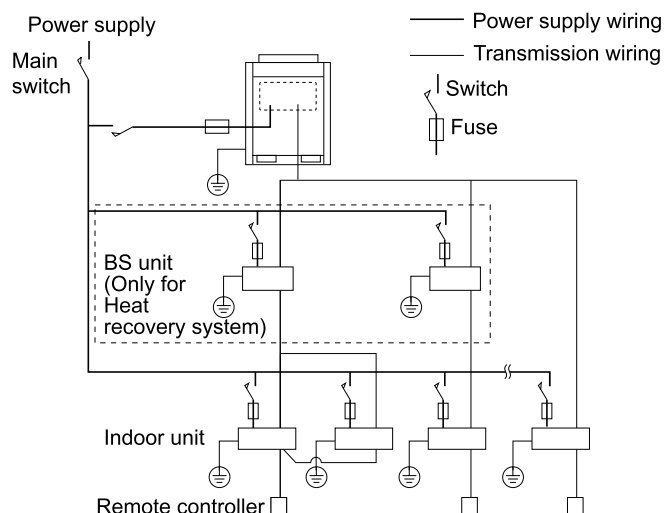
Terminal	Size	Tightening torque	
Terminal block for remote controller (6P)	M3.5	0.79 – 0.97 N·m	
Power supply terminal block	40 – 125 (2P)	M4	1.18 – 1.44 N·m
	200-250 (3P)	M5	2.39 – 2.91 N·m
Ground terminal	40 – 125	M4	1.44 – 1.94 N·m
	200 · 250	M5	3.02 – 4.08 N·m

3. Do not connect wires of different gauge to the same grounding terminal. Looseness in the connection may deteriorate protection.
4. Outside of the unit, keep transmission wiring at least 50 mm away from power supply wiring. The equipment may malfunction if subjected to electrical (external) noise.
5. For remote controller wiring, refer to the “INSTALLATION MANUAL OF REMOTE CONTROLLER” attached to the remote controller.
6. **Never connect power supply wiring to the terminal block for remote controller wiring. A mistake of the sort could damage the entire system.**
7. Use only specified wire and tightly connect wires to terminals. Be careful wires do not place external stress on terminals. Keep wiring in neat order and so as not to obstruct other equipment such as popping open the electric parts box lid. Make sure the lid closes tight. Incomplete connections could result in overheating, and in worse case, electric shock or fire.

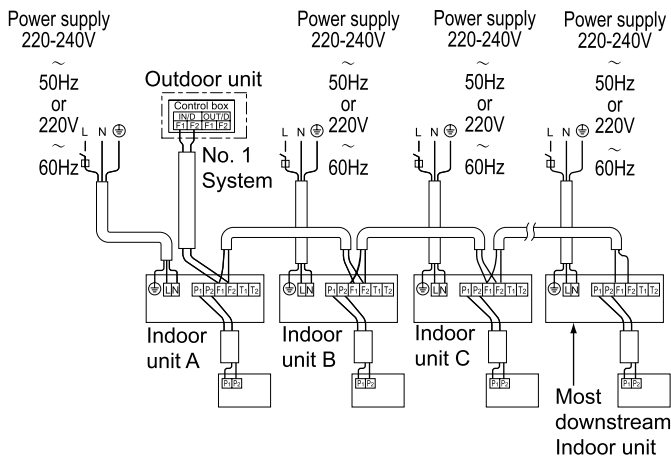
9-2 WIRING EXAMPLE

- Fit the power supply wiring of each unit with a switch and fuse as shown in the drawing.

COMPLETE SYSTEM EXAMPLE (3 SYSTEMS)



1. When using 1 remote controller for 1 indoor unit. (Normal operation)



2. For group control or use with 2 remote controllers

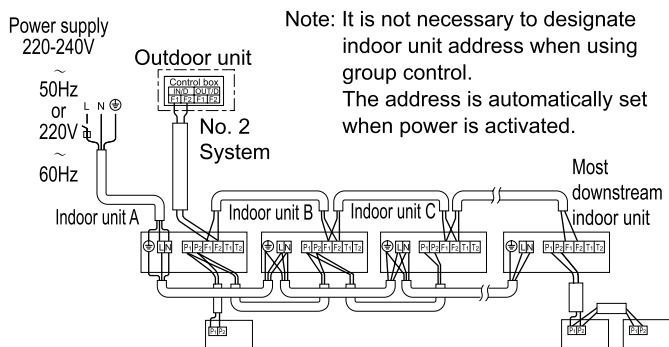
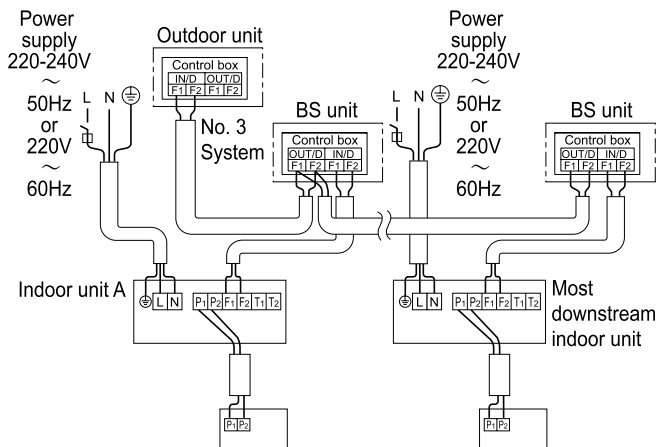


Fig. 3 For use with 2 remote controllers

3. When including BS unit



[PRECAUTIONS]

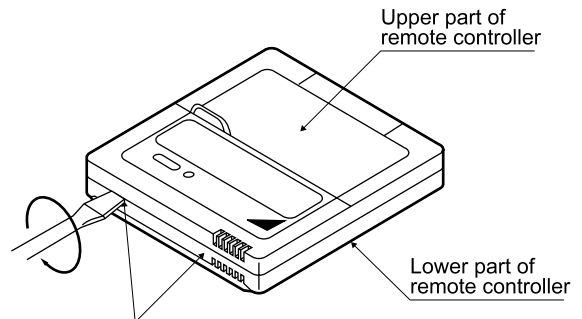
1. A single switch can be used to supply power to units on the same system. However, branch switches and branch circuit breakers must be selected carefully.
2. Do not ground the equipment on gas pipes, water pipes or lightning rods, or crossground with telephones. Improper grounding could result in electric shock.

9-3 CONTROL BY 2 REMOTE CONTROLLERS (Controlling 1 indoor unit by 2 remote controllers)

- When using 2 remote controllers, one must be set to "MAIN" and the other to "SUB".

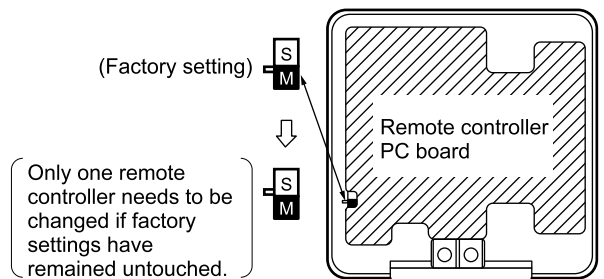
MAIN/SUB CHANGEOVER

- (1) Insert a ⊖ screw driver into the recess between the upper and lower part of remote controller and, working from the 2 positions, pry off the upper part. The remote controller PC board is attached to the upper part of remote controller.



Insert the screwdriver here and gently work off the upper part of remote controller.

- (2) Turn the MAIN/SUB changeover switch on one of the two remote controller PC boards to "S". (Leave the switch of the other remote controller set to "M".)

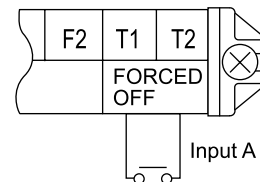


Wiring Method (See "ELECTRIC WIRING WORK")

- (3) Remove the electric parts box lid
- (4) Add remote control 2 (slave) to the terminal block for remote controller (P₁, P₂) in the electric parts box. (There is no polarity.) (Refer to Fig. 3 and 8-3.)

9-4 COMPUTERISED CONTROL (FORCED OFF AND ON/OFF OPERATION)

- (1) Wire specifications and how to perform wiring
 - Connect the input from outside to terminals T1 and T2 of the terminal block for remote controller.



Wire specification	Sheathed vinyl cord or cable (2 wire)
Gauge	0.75 - 1.25 mm ²
Length	Max. 100 m
External terminal	Contact that can ensure the minimum applicable load of 15 V DC, 10 mA.

(2) Actuation

- The following table explains FORCED OFF and ON/OFF OPERATIONS in response to Input A.

FORCED OFF	ON/OFF OPERATION
Input "ON" stops operation (impossible by remote controllers.)	Input OFF → ON turns ON unit.
Input OFF enables control by remote controller.	Input ON → OFF turns OFF unit.

(3) How to select FORCED OFF and ON/OFF OPERATION

- Turn the power on and then use the remote controller to select operation.

9-5 CENTRALIZED CONTROL

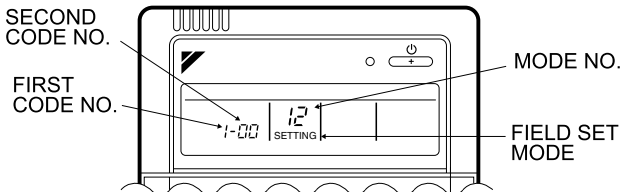
- For centralized control, it is necessary to designate the group No. For details, refer to the manual of each optional controllers for centralized control.

10. FIELD SETTING

Make sure the terminal box lids are closed on the indoor and outdoor units.

Field setting must be made from the remote controller in accordance with the installation condition.

- Setting can be made by changing the "Mode No.", "FIRST CODE NO.", and "SECOND CODE NO.".
- For setting and operation, refer to the "FIELD SETTING" in the installation manual of the remote controller.



- Set the remote controller to the field set mode. For details, refer to the "HOW TO SET IN THE FIELD", in the remote controller manual.
- When in the field set mode, select mode No. 12, then set the first code (switch) No. to "1". Then set second code (position) No. to "01" for FORCED OFF and "02" for ON/OFF OPERATION. (FORCED OFF at factory set)

11. TEST OPERATION

Refer to the installation manual of the outdoor unit.

- The operation lamp of the remote controller will flash when an malfunction occurs. Check the malfunction code on the liquid crystal display to identify the point of trouble. An explanation of malfunction codes and the corresponding trouble is provided in "CAUTION FOR SERVICING" of the outdoor unit.

If any of the items in Table 4 are displayed, there may be a problem with the wiring or power, so check the wiring again.

Table 4

Remote control display	Content
"Concentrated Management" is lit up	<ul style="list-style-type: none"> There is a short circuit at the FORCED OFF terminals (T1, T2)
"U4" is lit up "UH" is lit up	<ul style="list-style-type: none"> The power on the outdoor unit is off. The outdoor unit has not been wired for power supply. Incorrect wiring for the transmission wiring and / or FORCED OFF wiring.
No display	<ul style="list-style-type: none"> The power on the indoor unit is off. The indoor unit has not been wired for power supply. Incorrect wiring for the remote controller wiring, the transmission wiring and / or the FORCED OFF wiring.

