



Air Conditioning Technical Data

Ceiling suspended unit



EEDEN15-204

FXHQ-A

TABLE OF CONTENTS

FXHQ-A

1	Features	2
2	Specifications	3
	Technical Specifications	3
	Electrical Specifications	4
3	Electrical data	5
4	Safety device settings	6
5	Options	7
6	Capacity tables	8
	Cooling Capacity Tables	8
	Heating Capacity Tables	9
7	Dimensional drawings	10
	Dimensional Drawings	10
	Dimensional Drawings with Accessories	12
8	Piping diagrams	13
9	Wiring diagrams	14
	Wiring Diagrams - Single Phase	14
10	Sound data	15
	Sound Pressure Spectrum	15

1 Features

For wide rooms with no false ceilings nor free floor space

- Ideal for comfortable air flow in wide rooms thanks to Coanda effect: up to 100° discharge angle
- Even rooms with ceilings up to 3.8m can be heated up or cooled down very easily without capacity loss
- Can easily be installed in both new and refurbishment projects
- Can easily be mounted in corners and narrow spaces, as it only needs 30mm lateral service space
- Reduced energy consumption thanks to specially developed DC fan motor and drain pump
- Stylish unit blends easily with any interior. The flaps close entirely when the unit is not operating



Inverter



Home leave operation



Fan only



Auto cooling-heating changeover



Fan speed steps



Dry programme



Air filter



Weekly timer



Infrared remote control



Wired remote control



Centralised control



Auto-restart



Self diagnosis



Drain pump kit

2 Specifications

2-1 Technical Specifications				FXHQ32A	FXHQ63A	FXHQ100A	
Cooling capacity	Nom.		kW	3.6	7.1	11.2	
Heating capacity	Nom.		kW	4.0	8.0	12.5	
Power input - 50Hz	Cooling	Nom.	kW	0.107	0.111	0.237	
	Heating	Nom.	kW	0.107	0.111	0.237	
Dimensions	Unit	Height	mm	235			
		Width	mm	960	1,270	1,590	
		Depth	mm	690			
	Packed unit	Height	mm	340	349		
		Width	mm	1,116	1,426	1,746	
		Depth	mm	858	878		
Weight	Unit		kg	24	33	39	
	Packed unit		kg	38	55	62	
Casing	Colour			Fresh White			
	Material			Resin			
Heat exchanger	Type			Cross fin coil (multi louver fins and Hi-XSL tubes)			
	Length		mm	722	1,032	1,352	
	Rows	Quantity		2	3		
	Fin pitch		mm	1.5			
	Passes	Quantity		4	5	10	
	Face area		m ²	0.213	0.303	0.398	
	Stages	Quantity		14			
	Empty tubeplate hole	Quantity		0			
	Fan	Type			Sirocco fan		
Quantity			2	3	4		
Air flow rate - 50Hz		Cooling	High	m ³ /min	14.0	20.0	29.5
			Nom.	m ³ /min	12.0	17.0	24.0
			Low	m ³ /min	10.0	14.0	19.0
		Heating	High	m ³ /min	14.0	20.0	29.5
			Nom.	m ³ /min	12.0	17.0	24.0
			Low	m ³ /min	10.0	14.0	19.0
Fan motor	Model		2D15L1AA1				
	Speed	Steps	3				
	Output	High	W	60	91	150	
Air filter	Type			Resin net with mold resistance			
Sound pressure level	Cooling	High	dBA	36.0	37.0	44.0	
		Nom.	dBA	34.0	35.0	37.0	
		Low	dBA	31.0	34.0		
	Heating	High	dBA	36.0	37.0	44.0	
		Nom.	dBA	34.0	35.0	37.0	
		Low	dBA	31.0	34.0		
Refrigerant	Type			R-410A			
Piping connections	Liquid	Type		Flare connection			
		OD	mm	6.35	9.52		
	Gas	Type		Flare connection			
		OD	mm	12.7	15.9		
	Drain				VP20 (I.D. 20/O.D. 26)		
Heat insulation				Heat resistant foamed polyethylene, regular foamed polyethylene			
Control systems	Infrared remote control			BRC7G53			
	Simplified wired remote control for hotel applications			-			
	Wired remote control			BRC1E52A/B / BRC1D52			

Standard Accessories : Operation manual;

Standard Accessories : Installation manual;

Standard Accessories : Declaration of conformity;

Standard Accessories : Drain hose;

Standard Accessories : Clamp metal;

Standard Accessories : Washer for hanger bracket;

Standard Accessories : Clamps;

2 Specifications

Standard Accessories : Joint insulating material;
 Standard Accessories : Sealing material;
 Standard Accessories : Installation pattern;
 Standard Accessories : Resin bushing;
 Standard Accessories : Wiring fixture;
 Standard Accessories : Screw for wiring fixture;

2

2-2 Electrical Specifications				FXHQ32A	FXHQ63A	FXHQ100A
Power supply	Name		VE			
	Phase		1~			
	Frequency	Hz	50			
	Voltage	V	220-240			
Voltage range	Min.	%	10			
	Max.	%	10			
Current - 50Hz	Minimum circuit amps (MCA)		A	0.8	1.7	
	Maximum fuse amps (MFA)		A	16		
	Full load amps (FLA)	Fan motor	A	0.6	1.3	

Notes

Voltage range: units are suitable for use on electrical systems where voltage supplied to unit terminal is not below or above listed range limits.

Maximum allowable voltage range variation between phases is 2%.

MCA/MFA: MCA = 1.25 x FLA

MFA ≤ 4 x FLA

Next lower standard fuse rating minimum 16A

Select wire size based on the value of MCA

Instead of a fuse, use a circuit breaker

3 Electrical data

3 - 1 Electrical Data

FXHQ-A

Units				Power supply		IFM		Input (W)	
Model	Hz	Volts	Voltage range	MCA	MFA	kW	RLA	Cooling	Heating
FXHQ32A	50	220-240V	Max. 264V Min. 198V	0.8	16	0.060	0.6	107	107
FXHQ63A				0.8	16	0.091	0.6	111	111
FXHQ100A				1.7	16	0.150	1.3	237	237

NOTES

- Voltage range
Units are suitable for use on electrical systems where voltage supplied to unit terminals is not below or above listed range limits.
- Maximum allowable voltage unbalance between phases is 2%.
- MCA/MFA
MCA = 1.25 x FLA
MFA ≤ 4 x FLA
(next lower standard fuse rating, min.16A)
- Select wiring size based on the MCA.
- Instead of a fuse, use circuit breaker.

Minimum Ssc value	KVA	EN61000-3-2 is applied.
-------------------	-----	-------------------------

SYMBOLS

- MCA : Min. Circuit Amps. (A)
- MFA : Max. Fuse Amps. (See note 5)
- kW : Fan Motor Rated Output (kW)
- FLA : Full Load Amps. (A)
- IFM : Indoor Fan Motor.

4D080219A

4 Safety device settings

4 - 1 Safety Device Settings

FXHQ-A

		32	63	100	
FXHQ~A	Safety devices				
	Fuse		250V 3.15A	250V 3.15A	250V 3.15A
	Fan motor thermal fuse	°C	---	---	---
	Fan motor thermal protector	°C	---	---	---

3D080195

5 Options

5 - 1 Options

FXHQ-A

Name of option	Remark	FXHQ-A		
		32	63	100
Long-life filter		KAFP501A56	KAFP501A80	KAFP501A160
Fresh air intake kit			KDDQ50A140	
Drain pump kit		KDU50P60VE		KDU50P140VE
L-type piping kit (for upward direction)		KHFP5N63		KHFP5N160
Remote control	Wired type	BRC1D528, BRC1E51A7, BRC1E52A7, BRC1E52B7		
	Infrared type	Heat pump use	BRC7GA53	
		Cooling only use	BRC7GA56	
Simplified remote control (with operation mode selector button) (2)			BRC2E52C7	
Simplified remote control (without operation mode selector button) (2)			BRC3E52C7	
Central remote control			DCS302CA51	
Unified on/off controller			DCS301BA51	
Schedule timer			DST301BA51	
Wiring adapter for electrical appendices			KRP1BA54	
Wiring adapter for electrical appendices (1)			KRP4AA52	
Wiring adapter for electrical appendices (1)			KRP2A62	
External adapter for outdoor unit (installation on indoor unit)			DTA104A62	
Installation box for adapter PCB			KRP1093A	
Adapter box mounting plate		KKSAP50A56		-
Remote sensor			KRC501-4B	
Remote on/off (connector for forced on, forced off)			EKR0R04	
Noise filter (for electromagnetic use only)			KEK26-1	
Electrical box with earth terminal (3 blocks)			KJB311AA	
Electrical box with earth terminal (2 blocks)			KJB212AA	
Digital input adapter (1),(3)			BRP7A52	

NOTES

1. Installation box for adapter PCB (KRP1D93A) is necessary.
2. Included languages are:
 Language pack 1: english, german, french, dutch, spanish, italian and portugese.
 With PC cable EKPCAB3 in combination with the updater PC software, you can additionally change the language to:
 Language pack 2: english, bulgarian, croatian, czech, hungarian, romanian and slovenian.
 Language pack 3: english, greek, polish, russian, serbian, slovak and turkish.
3. Only possible in combination with simplified remote control BRC2/3E52C7.

3D080173C

6 Capacity tables

6 - 1 Cooling Capacity Tables

FXHQ-A

Cooling Capacity

TC: Total capacity; kW
SHC: Sensible heat capacity; kW

Unit size	Indoor air temp.													
	14.0 °CWB		16.0 °CWB		18.0 °CWB		19.0 °CWB		20.0 °CWB		22.0 °CWB		24.0 °CWB	
	20 °CDB		23 °CDB		26 °CDB		27 °CDB		28 °CDB		30 °CDB		32 °CDB	
	TC	SHC	TC	SHC	TC	SHC	TC	SHC	TC	SHC	TC	SHC	TC	SHC
32	2.4	2.0	2.9	2.3	3.4	2.6	3.6	2.6	3.6	2.6	3.7	2.5	3.8	2.5
63	4.8	3.9	5.7	4.4	6.6	5.0	7.1	4.8	7.2	4.7	7.4	4.6	7.5	5.1
100	7.6	5.5	9.0	6.3	10.5	7.1	11.2	7.3	11.3	7.2	11.6	7.0	11.9	6.7

NOTES - OPMERKINGEN - REMARQUES - ANMERKUNGEN - NOTAS - NOTE - ΣΗΜΕΙΩΣΕΙΣ - NOTLAR - ПРИМЕЧАНИЯ

- This table is for the selection of indoor equipment.
 - Deze tabel is bedoeld voor het kiezen van de binneneenheid.
 - Ce tableau concerne la sélection de l'équipement intérieur.
 - Diese Tabelle ist für die Auswahl der Innenanlagen.
 - Esta tabla es para seleccionar el equipo interior.
 - Usare questa tabella per la selezione delle apparecchiature interne.
 - Αυτός ο πίνακας προορίζεται για την επιλογή εσωτερικού εξοπλισμού.
 - Bu tablo iç ünite ekipmanlarının seçimine yöneliktir.
 - Эта таблица предназначена для выбора устанавливаемого в помещении оборудования.
- In the event that conditions differ due to the design requirements after system selection, actual operating ability of the indoor equipment will differ from that noted in the table because of changes in the outdoor air temperature and load factor.
 - Als nadat u het systeem hebt gekozen de voorwaarden afwijken van de ontwerpvereisten, dan zal het reële bedrijfsvermogen van de binneneenheid afwijken van de in de tabel vermelde gegevens, wegens de afwijkende buitenluchttemperatuur en de belastingsfactor.
 - Si les exigences de conception après la sélection du système entraînent une modification des conditions, les capacités opérationnelles réelles de l'équipement intérieur diffèrent de celles indiquées dans le tableau en raison de la modification de la température de l'air extérieure et du facteur de charge.
 - Falls Bedingungen aufgrund der Konstruktionsanforderungen nach der Systemauswahl abweichen, dann weicht aufgrund der Änderungen der Außenlufttemperatur und des Lastfaktors die tatsächliche Betriebsfähigkeit der Innenanlage von der in der Tabelle aufgeführten ab.
 - En caso de que las condiciones difieran debido a los requisitos de diseño tras seleccionar el sistema, la capacidad de funcionamiento real del equipo interior diferirá de la que se muestra en la tabla debido a los cambios de la temperatura de aire exterior y al factor de carga.
 - Nel caso in cui intervenissero dei cambiamenti nelle condizioni dovuti a requisiti di progettazione successivi alla selezione del sistema, la capacità operativa effettiva delle apparecchiature interne sarà diversa da quella indicata in tabella a causa della diversa temperatura dell'aria esterna e del fattore di carico.
 - Στην περίπτωση που οι συνθήκες διαφέρουν λόγω των απαιτήσεων σχεδιασμού μετά την επιλογή συστήματος, η πραγματική δυνατότητα του εσωτερικού εξοπλισμού θα διαφέρει από την αναφερόμενη στον πίνακα, λόγω των αλλαγών στην εξωτερική θερμοκρασία αέρα και στο συντελεστή φορτίου.
 - Sistem seçiminden sonra tasarım gerekleri nedeniyle koşulların değişmesi durumunda, dış hava sıcaklığı ve yük faktöründeki değişiklikler nedeniyle iç ekipman için gerçek çalışma kapasitesi tabloda belirtilenden farklı olacaktır.
 - В случае, если реальные условия отличаются от проектных условий работы, используемых при выборе системы, фактические характеристики устанавливаемого в помещении оборудования будут отличаться от указанных в таблице вследствие изменения температуры воздуха снаружи и показателя нагрузки.
- In this case, use the ability table for the indoor equipment selected and correct for the ratio of change in ability.
 - Gebruik in dat geval de vermogenstabel van de gekozen binneninstallatie en kies het juiste vermogen.
 - Le cas échéant, utiliser le tableau de capacité de l'équipement intérieur sélectionner et corriger le rapport de modification de capacité.
 - Verwenden Sie in diesem Fall die Fähigkeit für die ausgewählte Innenanlage und korrigieren Sie das Verhältnis der Änderung in der Fähigkeit.
 - En este caso, utilice la tabla de capacidades del equipo interior seleccionado y corrija la relación de cambio en capacidad.
 - In questo caso, usare la tabella delle capacità per le apparecchiature interne selezionate ed apportare le modifiche del caso in base alla percentuale di cambiamento di capacità.
 - Σε αυτή την περίπτωση χρησιμοποιήστε τον πίνακα δυνατοτήτων για τον επιλεγμένο εσωτερικό εξοπλισμό και διορθώστε για την αναλογία αλλαγής στη δυνατότητα.
 - Bu durumda, seçilen iç ekipman için kapasite tablosunu kullanın ve kapasitedeki değişim oranına göre düzeltme yapın.
 - В этом случае используйте таблицу характеристик выбранного устанавливаемого в помещении оборудования и внесите необходимую поправку на их изменение.

6 Capacity tables

6 - 2 Heating Capacity Tables

FXHQ-A

Heating Capacity

Unit size	Indoor air temp. °CDB					
	16.0	18.0	20.0	21.0	22.0	24.0
	kW	kW	kW	kW	kW	kW
32	4.2	4.2	4.0	3.9	3.7	3.5
63	8.4	8.4	8.0	7.7	7.5	7.0
100	13.1	13.1	12.5	12.1	11.7	10.9

NOTES - OPMERKINGEN - REMARQUES - ANMERKUNGEN - NOTAS - NOTE - ΣΗΜΕΙΩΣΕΙΣ - NOTLAR - ПРИМЕЧАНИЯ

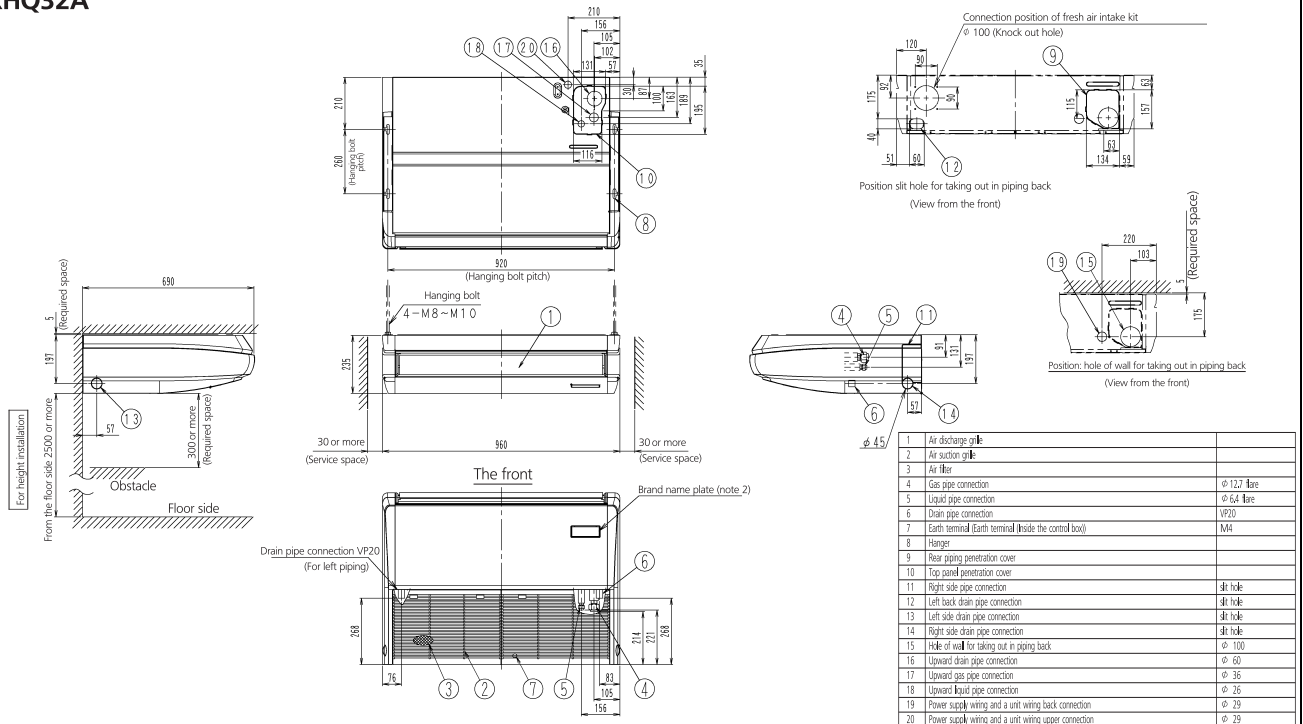
- This table is for the selection of indoor equipment.
 - Deze tabel is bedoeld voor het kiezen van de binnenunit.
 - Ce tableau concerne la sélection de l'équipement intérieur.
 - Diese Tabelle ist für die Auswahl der Innenanlagen.
 - Esta tabla es para seleccionar el equipo interior.
 - Usare questa tabella per la selezione delle apparecchiature interne.
 - Αυτός ο πίνακας προορίζεται για την επιλογή εσωτερικού εξοπλισμού.
 - Bu tablo iç ünite ekipmanlarının seçimine yöneliktir.
 - Эта таблица предназначена для выбора устанавливаемого в помещении оборудования.
- In the event that conditions differ due to the design requirements after system selection, actual operating ability of the indoor equipment will differ from that noted in the table because of changes in the outdoor air temperature and load factor.
 - Als nadat u het systeem hebt gekozen de voorwaarden afwijken van de ontwerpvereisten, dan zal het reële bedrijfsvermogen van de binnenunit afwijken van de in de tabel vermelde gegevens, wegens de afwijkende buitenluchttemperatuur en de belastingsfactor.
 - Si les exigences de conception après la sélection du système entraînent une modification des conditions, les capacités opérationnelles réelles de l'équipement intérieur diffèrent de celles indiquées dans le tableau en raison de la modification de la température de l'air extérieure et du facteur de charge.
 - Falls Bedingungen aufgrund der Konstruktionsanforderungen nach der Systemauswahl abweichen, dann weicht aufgrund der Änderungen der Außenlufttemperatur und des Lastfaktors die tatsächliche Betriebsfähigkeit der Innenanlage von der in der Tabelle aufgeführten ab.
 - En caso de que las condiciones difieran debido a los requisitos de diseño tras seleccionar el sistema, la capacidad de funcionamiento real del equipo interior diferirá de la que se muestra en la tabla debido a los cambios de la temperatura de aire exterior y al factor de carga.
 - Nel caso in cui intervenissero dei cambiamenti nelle condizioni dovuti a requisiti di progettazione successivi alla selezione del sistema, la capacità operativa effettiva delle apparecchiature interne sarà diversa da quella indicata in tabella a causa della diversa temperatura dell'aria esterna e del fattore di carico.
 - Στην περίπτωση που οι συνθήκες διαφέρουν λόγω των απαιτήσεων σχεδιασμού μετά την επιλογή συστήματος, η πραγματική δυνατότητα του εσωτερικού εξοπλισμού θα διαφέρει από την αναφερόμενη στον πίνακα, λόγω των αλλαγών στην εξωτερική θερμοκρασία αέρα και στο συντελεστή φορτίου.
 - Sistem seçiminin sonra tasarım gerekleri nedeniyle koşulların değişmesi durumunda, dış hava sıcaklığı ve yük faktöründeki değişiklikler nedeniyle iç ekipmanın gerçek çalışma kapasitesi tabloda belirtilenden farklı olacaktır.
 - В случае, если реальные условия отличаются от проектных условий работы, используемых при выборе системы, фактические характеристики устанавливаемого в помещении оборудования будут отличаться от указанных в таблице вследствие изменения температуры воздуха снаружи и показателя нагрузки.
- In this case, use the ability table for the indoor equipment selected and correct for the ratio of change in ability.
 - Gebruik in dat geval de vermogenstabel van de gekozen binneninstallatie en kies het juiste vermogen.
 - Le cas échéant, utiliser le tableau de capacité de l'équipement intérieur sélectionner et corriger le rapport de modification de capacité.
 - Verwenden Sie in diesem Fall die Fähigkeit für die ausgewählte Innenanlage und korrigieren Sie das Verhältnis der Änderung in der Fähigkeit.
 - En este caso, utilice la tabla de capacidades del equipo interior seleccionado y corrija la relación de cambio en capacidad.
 - In questo caso, usare la tabella delle capacità per le apparecchiature interne selezionate ed apportare le modifiche del caso in base alla percentuale di cambiamento di capacità.
 - Σε αυτή την περίπτωση χρησιμοποιήστε τον πίνακα δυνατοτήτων για τον επιλεγμένο εσωτερικό εξοπλισμό και διορθώστε για την αναλογία αλλαγής στη δυνατότητα.
 - Bu durumda, seçilen iç ekipman için kapasite tablosunu kullanın ve kapasitedeki değişim oranına göre düzeltilme yapın.
 - В этом случае используйте таблицу характеристик выбранного устанавливаемого в помещении оборудования и внесите необходимую поправку на их изменение.

7 Dimensional drawings

7 - 1 Dimensional Drawings

7

FXHQ32A

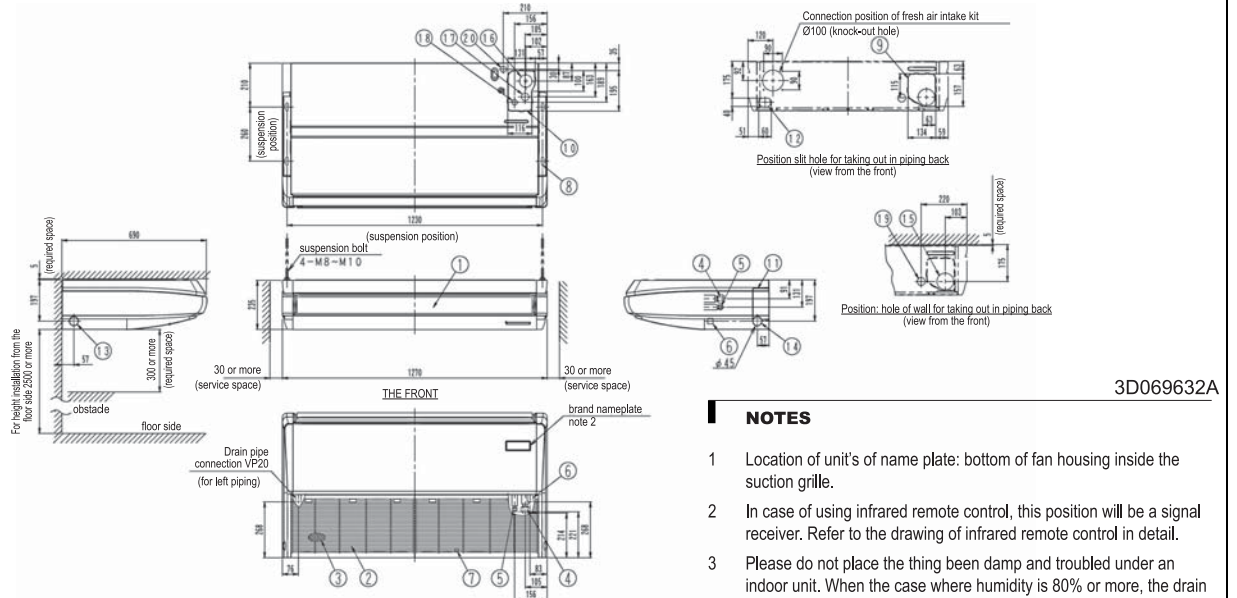


Note:

1. Location of unit's name plate: bottom of fan housing inside the suction grille.
2. In case of using infrared remote controller, this position will be a signal receiver. Refer to the drawing of infrared remote controller in detail.
3. Please do not place the thing been damp and troubled under an indoor unit. When the case where humidity is 80% or more, and the drain outlet are choked up and the air filter are dirty, dew may fall

3D080029

FXHQ63A



NOTES

- 1 Location of unit's of name plate: bottom of fan housing inside the suction grille.
- 2 In case of using infrared remote control, this position will be a signal receiver. Refer to the drawing of infrared remote control in detail.
- 3 Please do not place the thing been damp and troubled under an indoor unit. When the case where humidity is 80% or more, the drain outlet are choked up and the air filter are dirty, dew may fall.

3D069632A

Nr	Name	Description
1	Air discharge grille	
2	Air suction grille	
3	Air filter	
4	Gas pipe connection	ϕ 15.9 flare
5	Liquid pipe connection	ϕ 9.5 flare
6	Drain pipe connection	VP20
7	Earth terminal (inside electric components box)	M4
8	Hanger bracket	
9	Backward piping and wiring connection opening lid	
10	Upward piping and wiring connection opening lid	

11	Right side pipe connection	slit hole
12	Left back drain pipe connection	slit hole
13	Left side drain pipe connection	slit hole
14	Right side drain pipe connection	slit hole
15	Hole of wall for taking out in piping back	ϕ 100
16	Upward drain pipe connection	ϕ 60
17	Upward gas pipe connection	ϕ 36
18	Upward liquid pipe connection	ϕ 26
19	Power source wiring and a unit wiring back connection	ϕ 29
20	Power source wiring and a unit wiring upper connection	ϕ 29

7 Dimensional drawings

7 - 1 Dimensional Drawings

FXHQ100A

NOTES

- 1 Location of unit's name plate: bottom of fan housing inside the suction grille.
- 2 In case of using infrared remote control, this position will be a signal receiver. Refer to the drawing of infrared remote control in detail.
- 3 Don't put anything under indoor unit because dew may fall by reason of following:
 1. The humidity is 80% or more.
 2. The drain outlet is stopped up.
 3. The air filter is dirty.

Nr	Name	Description
1	Air discharge grille	
2	Air suction grille	
3	Air filter	
4	Gas pipe connection	Ø15.9 flare
5	Liquid pipe connection	Ø9.5 flare
6	Drain pipe connection	VP20
7	Earth terminal (inside electric components box)	M4
8	Hanger bracket	
9	Backward piping and wiring connection opening lid	
10	Upward piping and wiring connection opening lid	

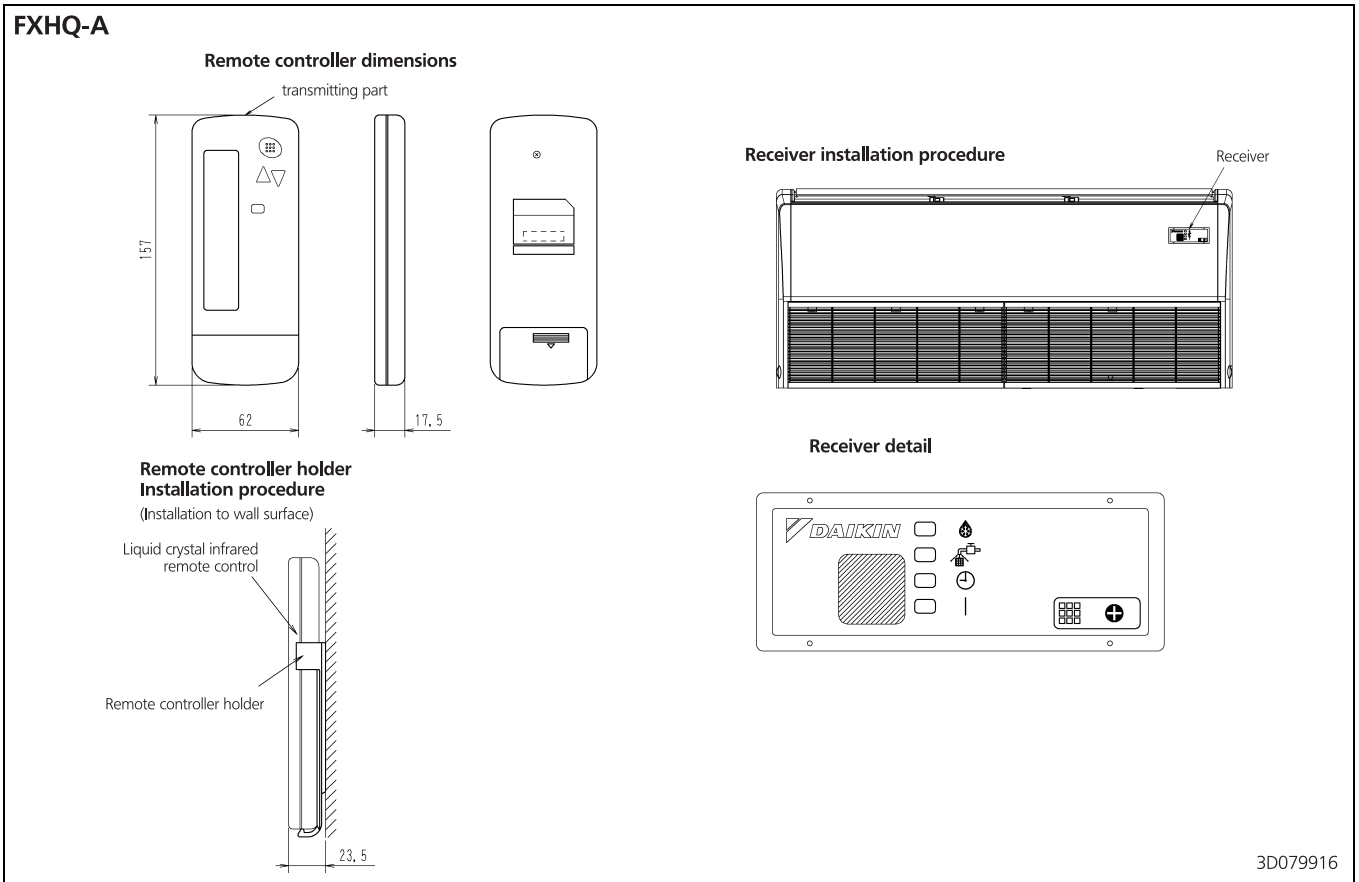
11	Right side pipe connection	slit hole
12	Left back drain pipe connection	slit hole
13	Left side drain pipe connection	slit hole
14	Right side drain pipe connection	slit hole
15	Hole of wall for taking out in piping back	Ø100
16	Upward drain pipe connection	Ø60
17	Upward gas pipe connection	Ø36
18	Upward liquid pipe connection	Ø26
19	Power source wiring and a unit wiring back connection	Ø29
20	Power source wiring and a unit wiring upper connection	Ø29

3D069633D

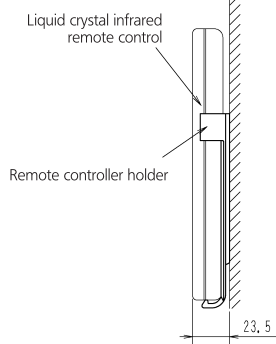
7 Dimensional drawings

7 - 2 Dimensional Drawings with Accessories

7

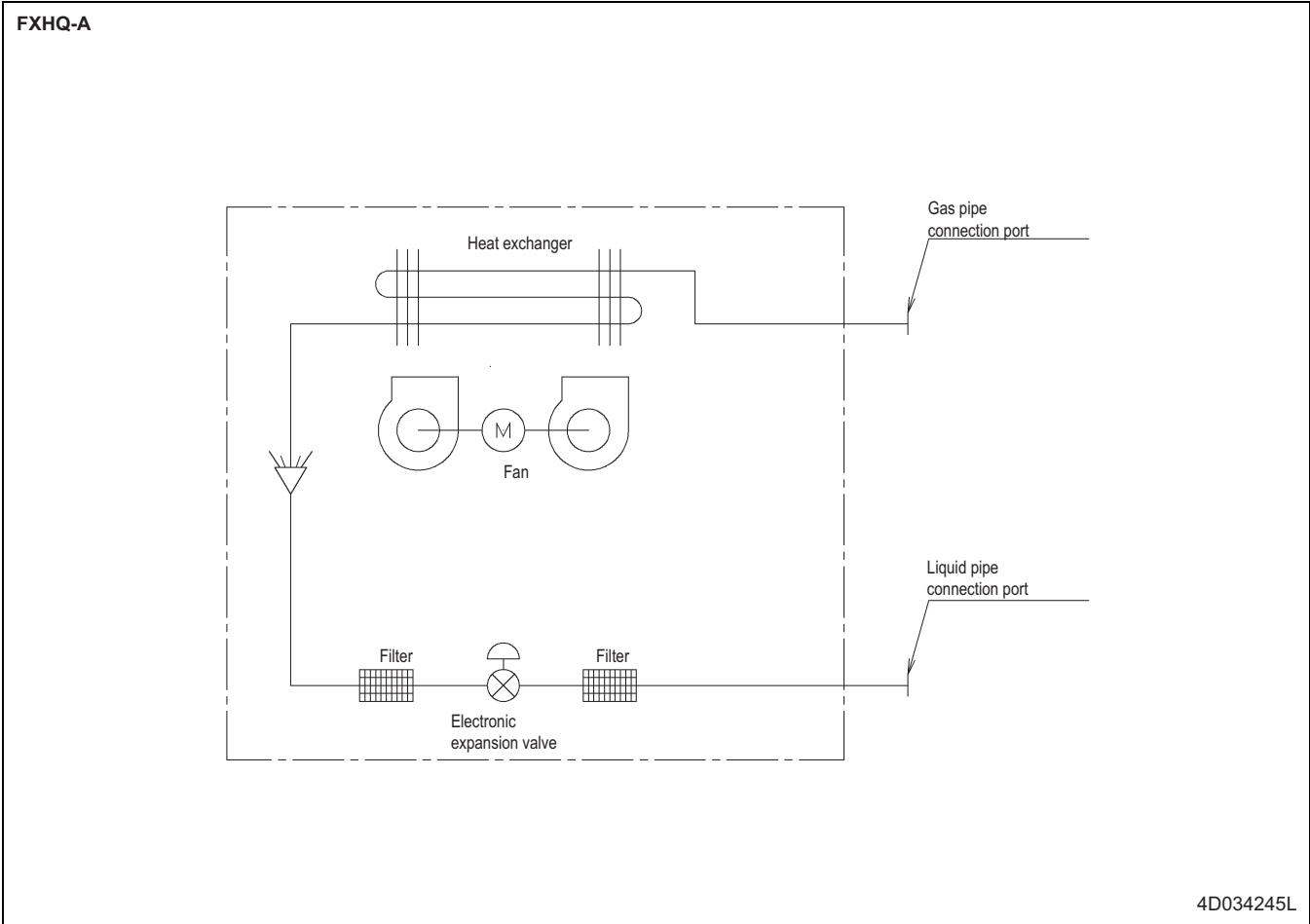


**Remote controller holder
Installation procedure**
(Installation to wall surface)



8 Piping diagrams

8 - 1 Piping Diagrams

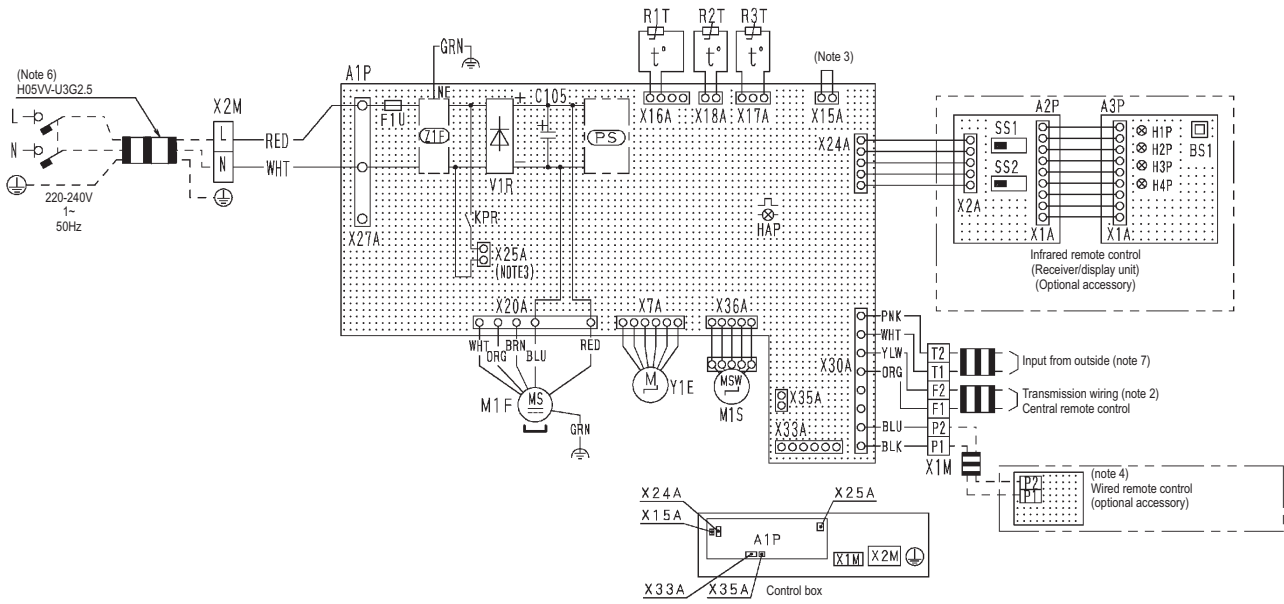


9 Wiring diagrams

9 - 1 Wiring Diagrams - Single Phase

9

FXHQ-A



Indoor unit		Infrared remote control (Receiver/display unit)	
A1P	Printed circuit board	A2P	Printed circuit board
C105	Capacitor	A3P	Printed circuit board
F1U	Fuse (T, 3.15A, 250V)	BS1	Push button (on/off)
HAP	Flashing lamp (service monitor green)	H1P	Pilot lamp (on-red)
KPR	Magnetic relay (drain pump)	H2P	Pilot lamp (timer-green)
M1F	Motor (indoor fan)	H3P	Pilot lamp (filter sign-red)
M1S	Motor (swing blade)	H4P	Pilot lamp (defrost-orange)
PS	Power supply circuit	SS1	Selector switch (main/sub)
R1T	Thermistor (air)	SS2	Selector switch (wireless address set)
R2T	Thermistor (coil)		
R3T	Thermistor (coil)		
V1R	Diode bridge		
X1M	Terminal block		
X2M	Terminal block		
Y1E	Electronic expansion valve		
Z1F	Noise filter		
Connector for optional parts			
X15A	Connector (float switch)		
X24A	Connector (Infrared remote control)		
X25A	Connector (drain pump)		
X33A	Connector (adapter for wiring)		
X35A	Connector (power supply for adapter)		

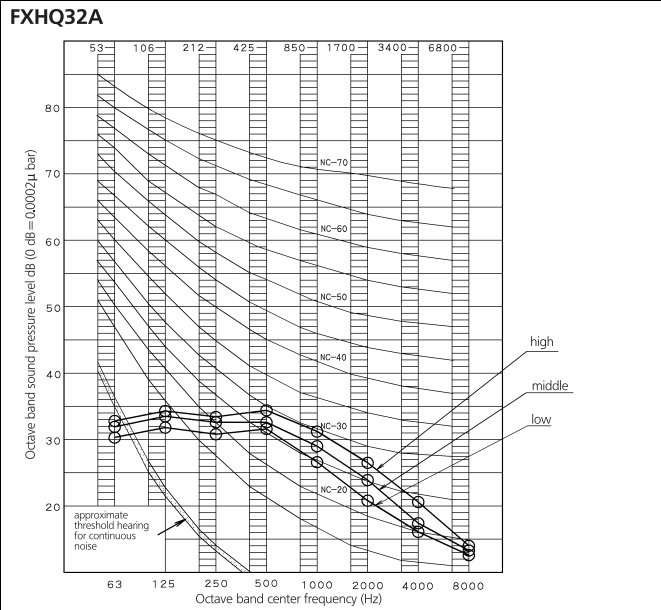
NOTES

- : terminal block, □○□: connector, -■-: field wiring
□○□: short circuit connector
- In case using central remote control, connect it to the unit in accordance with the attached installation manual.
- X15A, X25A are connected when the drain up kit is being used.
In accordance with the attached installation manual.
- In case of main/sub changeover, see the installation manual attached to remote control.
- Symbols show as follows: BLK: BLACK, RED: RED, BLU: BLUE, WHT: WHITE, YLW: YELLOW, GRN: GREEN, ORG: ORANGE, BRN: BROWN.
- Shows only in case of protected piping. Use H07RN-F in case of no protection.
- When connecting the input wires from outside, forced OFF or ON/OFF control operation can be selected by the remote control. See installation manual for more details.

3D079560C

10 Sound data

10 - 1 Sound Pressure Spectrum

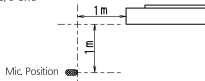


NOTES

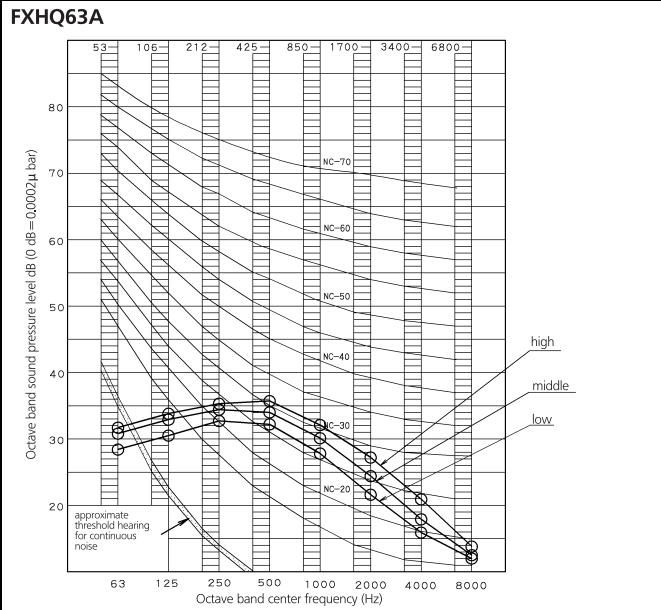
1 Overall (dB)

Scale	high	middle	low
A	36.0	34.0	31.0
C	42.0	40.0	37.0

- (dB(A) is already rectified)
- Measuring place: Anechoic chamber
 - Operation noise differs with operation and ambient conditions.
 - Operating conditions: Power source: 220-240V 50Hz
 - Cooling: Return air temperature: 27°CDB, 19°CWB
Outdoor temperature: 35°CDB, 24°CWB
 - Heating: Return air temperature: 20°CDB, 15°CWB
Outdoor temperature: 7°CDB, 6°CWB
 - Location of microphone



4D080126

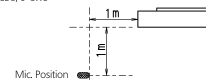


NOTES

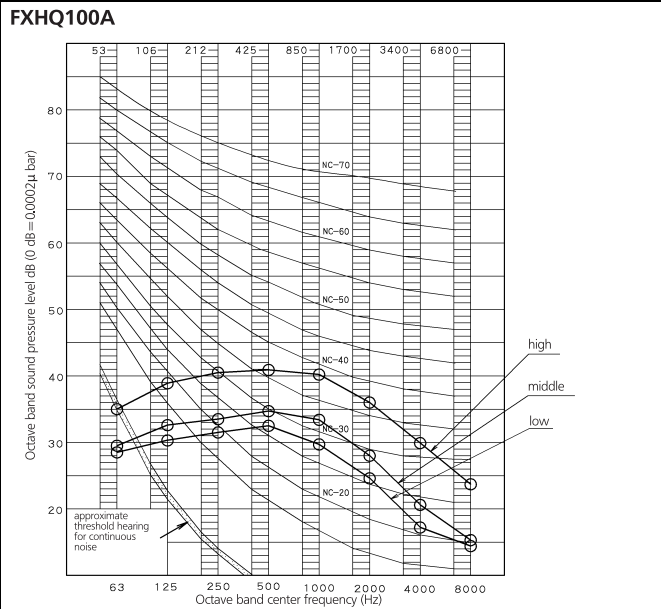
1 Overall (dB)

Scale	high	middle	low
A	37.0	35.0	34.0
C	43.0	41.0	40.0

- (dB(A) is already rectified)
- Measuring place: Anechoic chamber
 - Operation noise differs with operation and ambient conditions.
 - Operating conditions: Power source: 220-240V 50Hz
 - Cooling: Return air temperature: 27°CDB, 19°CWB
Outdoor temperature: 35°CDB, 24°CWB
 - Heating: Return air temperature: 20°CDB, 15°CWB
Outdoor temperature: 7°CDB, 6°CWB
 - Location of microphone



4D080125

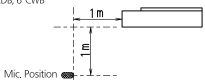


NOTES

1 Overall (dB)

Scale	high	middle	low
A	44.0	37.0	34.0
C	47.0	40.0	37.0

- (dB(A) is already rectified)
- Measuring place: Anechoic chamber
 - Operation noise differs with operation and ambient conditions.
 - Operating conditions: Power source: 220-240V 50Hz
 - Cooling: Return air temperature: 27°CDB, 19°CWB
Outdoor temperature: 35°CDB, 24°CWB
 - Heating: Return air temperature: 20°CDB, 15°CWB
Outdoor temperature: 7°CDB, 6°CWB
 - Location of microphone



4D080124



These products are not within the scope of the Eurovent certification program

The present leaflet is drawn up by way of information only and does not constitute an offer binding upon Daikin Europe N.V.. Daikin Europe N.V. has compiled the content of this leaflet to the best of its knowledge. No express or implied warranty is given for the completeness, accuracy, reliability or fitness for particular purpose of its content and the products and services presented therein. Specifications are subject to change without prior notice. Daikin Europe N.V. explicitly rejects any liability for any direct or indirect damage, in the broadest sense, arising from or related to the use and/or interpretation of this leaflet. All content is copyrighted by Daikin Europe N.V.

BARCODE

Daikin products are distributed by: