



technical data

VRV[®] II Systems

FXHQ-MVE

Ceiling suspended unit

FXHQ-MVE Ceiling suspended unit

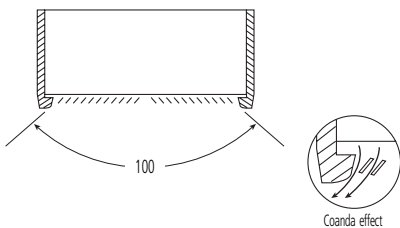


1	Features.....	2
2	Specifications	
	Technical specifications.....	5
	Electrical specifications.....	5
	Safety device settings.....	6
3	Accessories.....	6
4	Control systems.....	6
5	Capacity tables	
	Cooling capacity.....	7
	Heating capacity.....	8
6	Dimensions.....	9
7	Piping Diagram.....	11
8	Wiring Diagram.....	12
9	Sound level.....	13
10	Air flow pattern.....	14

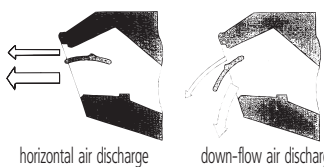
1 Features

1-1 Improved air discharge in horizontal and vertical direction provides more comfort, even if you have limited installation space

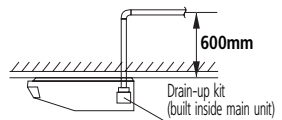
- "Wide air discharge outlet" ensures wider air distribution in horizontal direction, up to 100°



- Sides of the discharge outlet are "R" shaped to obtain coanda effect
- Use of W-Coanda flap enhances horizontal and vertical air circulation characteristics



- Enables to adjust air direction with minimum air resistance
- Increases air velocity of upper side of flap to prevent the air from rising during heating operation
- Can be installed in new or existing buildings
- Quiet operation: down to 31 dBA sound pressure level
- Easy installation and maintenance
- Drain-up kit with 600mm lift available as accessory

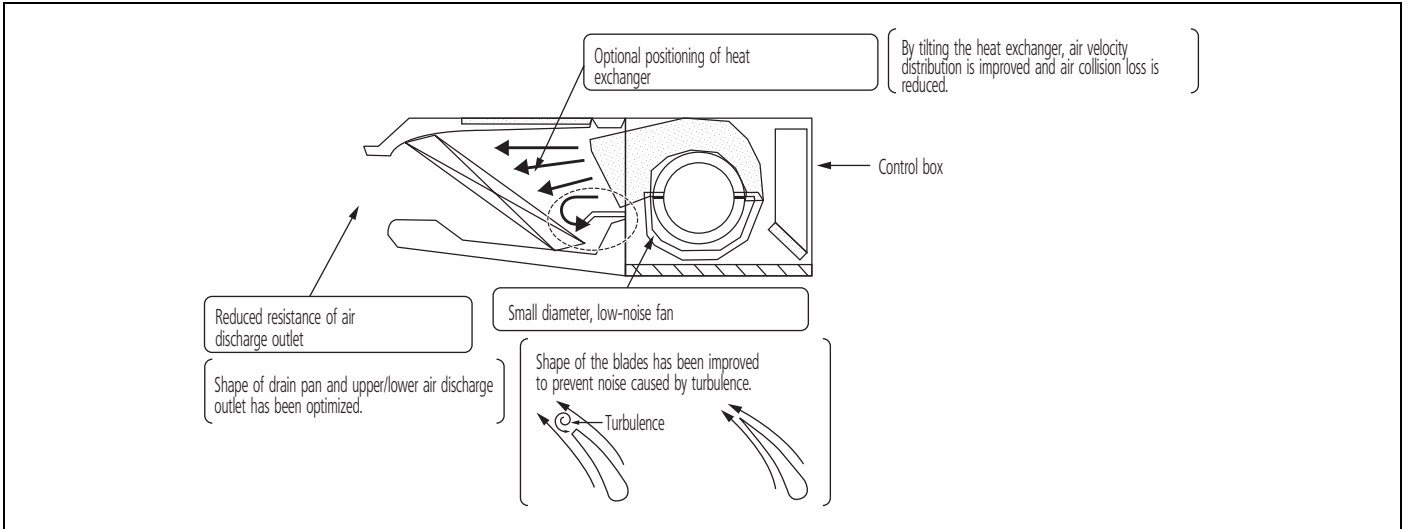


- Long life filter fitted as standard

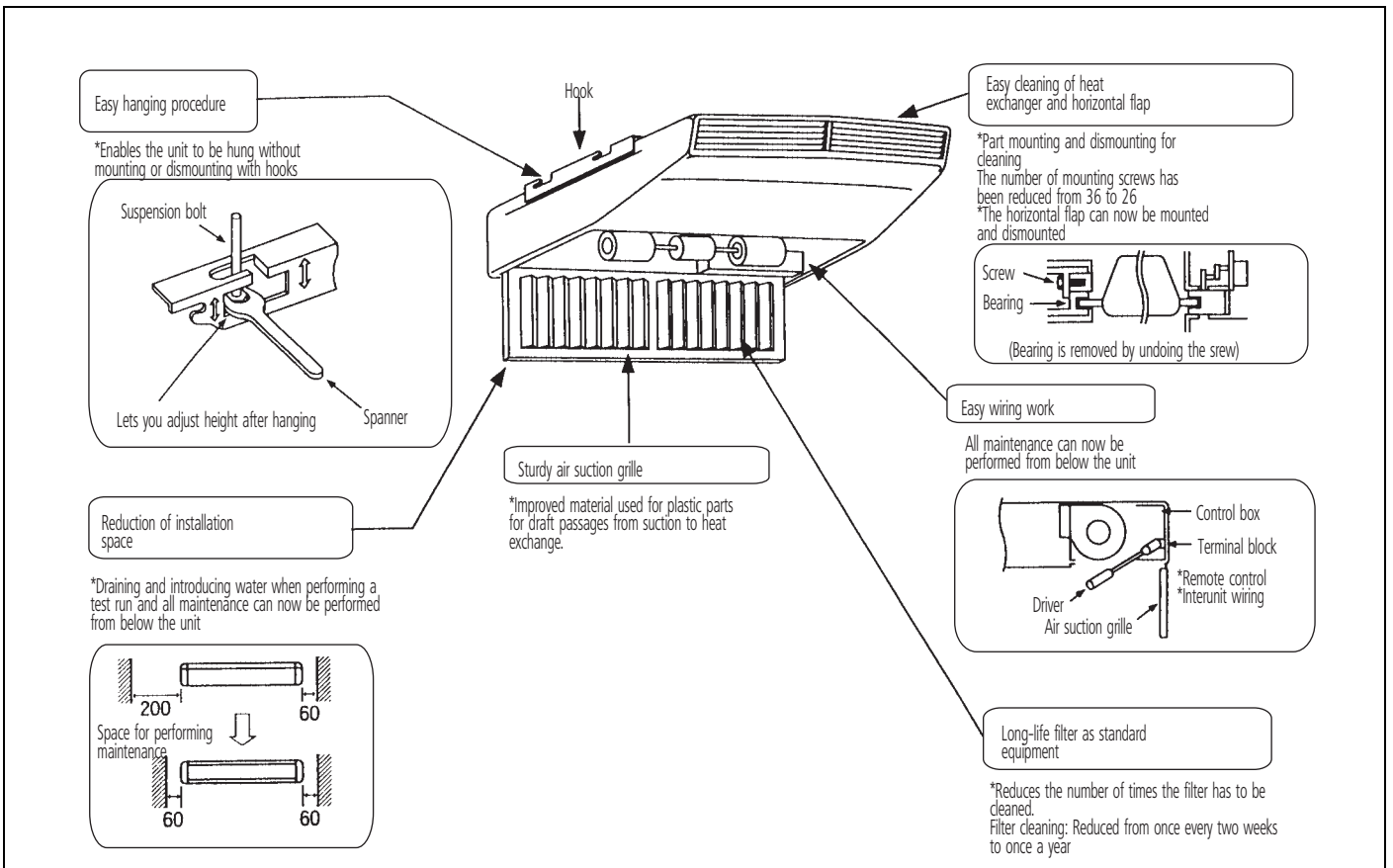


1 Features

1-2 Compact unit with very low sound pressure level



1-3 Easy installation



1 Features

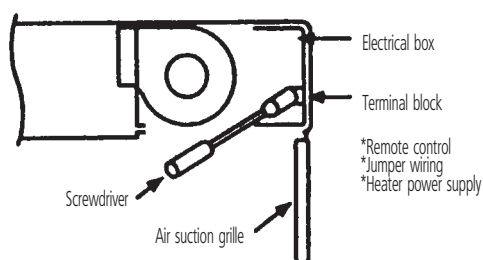
1-4 Super long-life filter only needs to be cleaned once a year

- The ceiling suspended unit is equipped with a thinned-down super long-life filter, maintaining the same height of the unit. The cleaning cycle has been reduced dramatically from once every two weeks to once a year.

1-5 Easy maintenance

- All maintenance operations can be performed from the bottom of the unit

The electrical box, that was positioned on the side panel is now located on the rear panel. All wiring can easily be connected from the bottom of the unit.



- Sturdier air suction grill

The new air suction grille is made of polypropylene, which has a superiority against oil, and also improved the shape of cross-section to increase the strength than conventional grille. At the same time, all the materials of the parts in air path have also been changed to polypropylene to prevent the spoilage from the oil.

Air suction grille	Polypropylene (Includes hinges and knobs)
Filter	Polypropylene frame and Polypropylene net
Housing	Polypropylene
Rotor	Polypropylene
Drain pan sheet	Chemical resistant ABC

2 Specifications

2-1 Technical specifications

FXHQ-MVE				32	63	100
COOLING CAPACITY (1)			kW	3.6	7.1	11.2
HEATING CAPACITY (2)			kW	4.0	8.0	12.5
NOMINAL INPUT	Cooling		W	111	115	135
	Heating		W	111	115	135
DIMENSIONS		HxWxD	mm	195x960x680	195x1,160x680	195x1,400x680
WEIGHT			kg	24	28	33
COLOUR		Decoration panel		white (10Y9/0.5)		
SOUND LEVEL	Sound pressure	high	dB(A)	36	39	45
		low	dB(A)	31	34	37
	Sound power		dB(A)	*	*	*
FAN	Air flow rate	high	m ³ /h	720	1,050	1,500
		low	m ³ /h	600	840	1,170
	Type	sirocco fan				
	Model			3D12K1AA1	4D12K1AA1	3D12K2AA1
	Motor output		W	62	62	130
Drive		direct drive				
HEAT EXCHANGER	Rows x stages x fin pitch		mm	2x12x1.75	3x12x1.75	3x12x1.75
	Face area		m ²	0.182	0.233	0.293
AIR FILTER		resin net with mold resistant				
REFRIGERANT CONTROL		electronic expansion valve				
TEMPERATURE CONTROL		microprocessor thermostat for cooling and heating				
PIPING CONNECTIONS	Liquid	flare	mm	ø 6.4	ø 9.5	
	Gas	flare	mm	ø 12.7	ø 15.9	
	Drain	VP20, external diameter 26, internal diameter 20				
SOUND ABSORBING INSULATION MATERIAL		glass wool				

3D038815

NOTES

- Nominal cooling capacities are based on:
 - Indoor temperature: 27°CDB, 19°CWB
 - Outdoor temperature: 35°CDB
 - Equivalent refrigerant piping: 7.5m (horizontal)
 - Nominal heating capacities are based on:
 - Indoor temperature: 20°CDB
 - Outdoor temperature: 7°CDB, 6°CWB
 - Equivalent refrigerant piping: 7.5m (horizontal)
 - Capacities are net, including a deduction for cooling (an addition for heating) for indoor fan motor heat.
- * data were not available at the time of publication

2-2 Electrical specifications

FXHQ-MVE				32	63	100
CURRENT	Minimum circuit amps (MCA)		A	0.8		0.9
	Maximum fuse amps (MFA) (5)		A	15		
POWER SUPPLY			VE	1 ~, 50Hz, 220-240V		
VOLTAGE RANGE		Min ~ max	V	198 ~ 264		
INDOOR FAN MOTOR	Fan motor rated output		W	62		130
	Full load amps (FLA)		A	0.6		0.7

4D035304A

NOTES

- Voltage range: units are suitable for use on electrical systems where voltage supplied to unit terminals is not below or above listed range limits.
- Maximum allowable voltage range variation between phases is 2%.
- MCA/MFA:
MCA = 1.25 x FLA
MFA ≤ 4 x FLA (next lower standard fuse rating minimum 15A.)
- Select wire size based on the MCA.
- Instead of a fuse, use a circuit breaker
- For more details concerning conditional connections, see <http://www.daikineurope.com/extranet>, select "Daikin Documentation" and select "conditional connection", "the requested product type" and "English" from the drop down lists, click the search button.
Finally, click on the document title of your choice.

2 Specifications

2-3 Safety device settings

FXHQ-MVE	32	63	100
PC BOARD FUSE	250V 5A		
FAN MOTOR THERMAL PROTECTOR	°C OFF: 130 ^{±5} / ON: 80 ^{±20}		

3D034597B

3 Accessories

FXHQ-MVE	32	63	100
DRAIN PUMP KIT	KDU50M60VE	KDU50M125VE	KDU50M125VE
REPLACEMENT LONG-LIFE FILTER	KAFJ501D56	KAFJ501D80	KAFJ501D112
L-TYPE PIPING KIT FOR UPWARD DIRECTION	KHFP5M35	KHFP5M63	KHFP5M63

4D040446A

4 Control systems

4-1 Individual control systems

WIRED REMOTE CONTROL		BRC1D527
INFRARED REMOTE CONTROL	Heat pump	BRC7E63W
	Cooling only	BRC7E66

4-2 Centralised control systems

CENTRALISED REMOTE CONTROL	DCS302C51
UNIFIED ON/OFF CONTROL	DCS301B51
SCHEDULE TIMER	DST301B51

4-3 Others

WIRING ADAPTER	KRP1B3
WIRING ADAPTER FOR ELECTRICAL APPENDICES (1)	KRP2A62 #
WIRING ADAPTER FOR ELECTRICAL APPENDICES (2)	KRP4A52 #
REMOTE SENSOR	KRCS01-1
INSTALLATION BOX FOR ADAPTER PCB	KRP1C93 (2)
ELECTRICAL BOX WITH EARTH TERMINAL (3 BLOCKS)	KJB311A
ELECTRICAL BOX WITH EARTH TERMINAL (2 BLOCKS)	KJB212A
NOISE FILTER (FOR ELECTROMAGNETIC INTERFACE USE ONLY)	KEK26-1
EXTERNAL CONTROL ADAPTER FOR OUTDOOR UNITS (INSTALLATION ON INDOOR UNIT)	DTA104A62 #

3D034600B

2

NOTES

- 1 Installation box is necessary for each adapter marked with #
- 2 Only 1 installation box can be installed per indoor unit

5 Capacity tables

5-1 Cooling capacity

TC: Total capacity;kW – SHC: Sensible capacity;kW

Unit size	Nominal capacity	Outdoor air temp.	Indoor air temperature													
			14.OWB		16.OWB		18.OWB		19.OWB		20.OWB		22.OWB		24.OWB	
			20.ODB		23.ODB		26.ODB		27.ODB		28.ODB		30.ODB		32.ODB	
°CDB	TC	SHC	TC	SHC	TC	SHC	TC	SHC	TC	SHC	TC	SHC	TC	SHC	TC	SHC
32	3.6	10.0	2.4	2.3	2.9	2.6	3.4	2.8	3.6	2.9	3.8	2.9	4.3	3.0	4.7	3.1
		12.0	2.4	2.3	2.9	2.6	3.4	2.8	3.6	2.9	3.8	2.9	4.3	3.0	4.7	3.0
		14.0	2.4	2.3	2.9	2.6	3.4	2.8	3.6	2.9	3.8	2.9	4.3	3.0	4.6	3.0
		16.0	2.4	2.3	2.9	2.6	3.4	2.8	3.6	2.9	3.8	2.9	4.3	3.0	4.6	3.0
		18.0	2.4	2.3	2.9	2.6	3.4	2.8	3.6	2.9	3.8	2.9	4.3	3.0	4.5	2.9
		20.0	2.4	2.3	2.9	2.6	3.4	2.8	3.6	2.9	3.8	2.9	4.3	3.0	4.4	2.9
		21.0	2.4	2.3	2.9	2.6	3.4	2.8	3.6	2.9	3.8	2.9	4.3	3.0	4.4	2.9
		23.0	2.4	2.3	2.9	2.6	3.4	2.8	3.6	2.9	3.8	2.9	4.2	3.0	4.3	2.8
		25.0	2.4	2.3	2.9	2.6	3.4	2.8	3.6	2.9	3.8	2.9	4.2	2.9	4.3	2.8
		27.0	2.4	2.3	2.9	2.6	3.4	2.8	3.6	2.9	3.8	2.9	4.1	2.9	4.2	2.8
		29.0	2.4	2.3	2.9	2.6	3.4	2.8	3.6	2.9	3.8	2.9	4.1	2.9	4.2	2.7
		31.0	2.4	2.3	2.9	2.6	3.4	2.8	3.6	2.9	3.8	2.9	4.0	2.8	4.1	2.7
		33.0	2.4	2.3	2.9	2.6	3.4	2.8	3.6	2.9	3.8	2.9	3.9	2.8	4.0	2.7
		35.0	2.4	2.3	2.9	2.6	3.4	2.8	3.6	2.9	3.8	2.9	3.9	2.8	4.0	2.7
		37.0	2.4	2.3	2.9	2.6	3.4	2.8	3.6	2.9	3.7	2.9	3.8	2.8	3.9	2.7
		39.0	2.4	2.3	2.9	2.6	3.4	2.8	3.6	2.9	3.7	2.9	3.8	2.7	3.8	2.6
63	7.1	10.0	4.8	4.1	5.7	4.6	6.6	5.1	7.1	5.2	7.6	5.3	8.5	5.5	9.3	5.6
		12.0	4.8	4.1	5.7	4.6	6.6	5.1	7.1	5.2	7.6	5.3	8.5	5.5	9.2	5.5
		14.0	4.8	4.1	5.7	4.6	6.6	5.1	7.1	5.2	7.6	5.3	8.5	5.5	9.1	5.4
		16.0	4.8	4.1	5.7	4.6	6.6	5.1	7.1	5.2	7.6	5.3	8.5	5.5	9.0	5.3
		18.0	4.8	4.1	5.7	4.6	6.6	5.1	7.1	5.2	7.6	5.3	8.5	5.5	8.8	5.3
		20.0	4.8	4.1	5.7	4.6	6.6	5.1	7.1	5.2	7.6	5.3	8.5	5.5	8.7	5.2
		21.0	4.8	4.1	5.7	4.6	6.6	5.1	7.1	5.2	7.6	5.3	8.5	5.5	8.7	5.2
		23.0	4.8	4.1	5.7	4.6	6.6	5.1	7.1	5.2	7.6	5.3	8.4	5.4	8.5	5.1
		25.0	4.8	4.1	5.7	4.6	6.6	5.1	7.1	5.2	7.6	5.3	8.3	5.4	8.4	5.1
		27.0	4.8	4.1	5.7	4.6	6.6	5.1	7.1	5.2	7.6	5.3	8.1	5.3	8.3	5.0
		29.0	4.8	4.1	5.7	4.6	6.6	5.1	7.1	5.2	7.6	5.3	8.0	5.2	8.2	5.0
		31.0	4.8	4.1	5.7	4.6	6.6	5.1	7.1	5.2	7.6	5.3	7.9	5.1	8.1	4.9
		33.0	4.8	4.1	5.7	4.6	6.6	5.1	7.1	5.2	7.6	5.3	7.8	5.1	7.9	4.9
		35.0	4.8	4.1	5.7	4.6	6.6	5.1	7.1	5.2	7.5	5.3	7.7	5.1	7.8	4.8
		37.0	4.8	4.1	5.7	4.6	6.6	5.1	7.1	5.2	7.4	5.2	7.5	5.0	7.7	4.8
		39.0	4.8	4.1	5.7	4.6	6.6	5.1	7.1	5.2	7.2	5.1	7.4	5.0	7.6	4.7
100	11.2	10.0	7.6	6.2	9.0	6.9	10.5	7.8	11.2	8.0	11.9	8.1	13.4	8.5	14.7	8.7
		12.0	7.6	6.2	9.0	6.9	10.5	7.8	11.2	8.0	11.9	8.1	13.4	8.5	14.5	8.5
		14.0	7.6	6.2	9.0	6.9	10.5	7.8	11.2	8.0	11.9	8.1	13.4	8.5	14.4	8.4
		16.0	7.6	6.2	9.0	6.9	10.5	7.8	11.2	8.0	11.9	8.1	13.4	8.5	14.2	8.3
		18.0	7.6	6.2	9.0	6.9	10.5	7.8	11.2	8.0	11.9	8.1	13.4	8.5	14.0	8.2
		20.0	7.6	6.2	9.0	6.9	10.5	7.8	11.2	8.0	11.9	8.1	13.4	8.5	13.8	8.1
		21.0	7.6	6.2	9.0	6.9	10.5	7.8	11.2	8.0	11.9	8.1	13.4	8.5	13.7	8.0
		23.0	7.6	6.2	9.0	6.9	10.5	7.8	11.2	8.0	11.9	8.1	13.2	8.3	13.5	7.9
		25.0	7.6	6.2	9.0	6.9	10.5	7.8	11.2	8.0	11.9	8.1	13.0	8.2	13.3	7.8
		27.0	7.6	6.2	9.0	6.9	10.5	7.8	11.2	8.0	11.9	8.1	12.8	8.1	13.1	7.7
		29.0	7.6	6.2	9.0	6.9	10.5	7.8	11.2	8.0	11.9	8.1	12.6	8.0	12.9	7.6
		31.0	7.6	6.2	9.0	6.9	10.5	7.8	11.2	8.0	11.9	8.1	12.4	7.9	12.7	7.6
		33.0	7.6	6.2	9.0	6.9	10.5	7.8	11.2	8.0	11.9	8.1	12.2	7.8	12.5	7.5
		35.0	7.6	6.2	9.0	6.9	10.5	7.8	11.2	8.0	11.8	8.1	12.1	7.7	12.3	7.4
		37.0	7.6	6.2	9.0	6.9	10.5	7.8	11.2	8.0	11.6	8.0	11.9	7.7	12.2	7.3
		39.0	7.6	6.2	9.0	6.9	10.5	7.8	11.2	8.0	11.4	7.9	11.7	7.6	12.0	7.2

CA03A095

5 Capacity tables

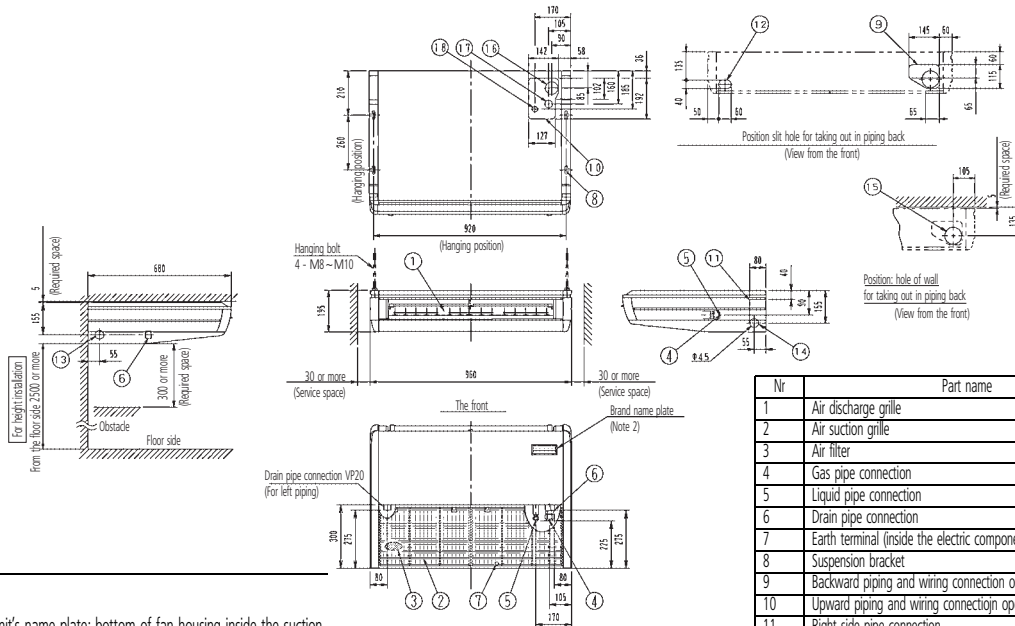
5-2 Heating capacity

Unit Size	Nominal capacity	Outdoor air temperature		Indoor air temperature °CDB					
				16.0	18.0	20.0	21.0	22.0	24.0
		°CDB	°CWB	kW	kW	kW	kW	kW	kW
32	4.0	-19.8	-20.0	2.4	2.4	2.3	2.3	2.3	2.3
		-18.8	-19.0	2.4	2.4	2.4	2.4	2.4	2.4
		-16.7	-17.0	2.6	2.6	2.6	2.6	2.6	2.5
		-14.7	-15.0	2.7	2.7	2.7	2.7	2.7	2.7
		-12.6	-13.0	2.9	2.8	2.8	2.8	2.8	2.8
		-10.5	-11.0	3.0	3.0	3.0	3.0	3.0	3.0
		-9.5	-10.0	3.1	3.1	3.1	3.1	3.0	3.0
		-8.5	-9.1	3.1	3.1	3.1	3.1	3.1	3.1
		-7.0	-7.6	3.2	3.2	3.2	3.2	3.2	3.2
		-5.0	-5.6	3.4	3.4	3.4	3.4	3.4	3.4
		-3.0	-3.7	3.5	3.5	3.5	3.5	3.5	3.5
		0.0	-0.7	3.7	3.7	3.7	3.7	3.7	3.5
		3.0	2.2	3.9	3.9	3.9	3.9	3.7	3.5
		5.0	4.1	4.1	4.1	4.0	3.9	3.7	3.5
		7.0	6.0	4.2	4.2	4.0	3.9	3.7	3.5
		9.0	7.9	4.3	4.3	4.0	3.9	3.7	3.5
		11.0	9.8	4.5	4.3	4.0	3.9	3.7	3.5
13.0	11.8	4.5	4.3	4.0	3.9	3.7	3.5		
15.0	13.7	4.5	4.3	4.0	3.9	3.7	3.5		
63	8.0	-19.8	-20.0	4.7	4.7	4.7	4.7	4.7	4.7
		-18.8	-19.0	4.9	4.9	4.8	4.8	4.8	4.8
		-16.7	-17.0	5.1	5.1	5.1	5.1	5.1	5.1
		-14.7	-15.0	5.4	5.4	5.4	5.4	5.4	5.4
		-12.6	-13.0	5.7	5.7	5.7	5.7	5.7	5.7
		-10.5	-11.0	6.0	6.0	6.0	6.0	6.0	5.9
		-9.5	-10.0	6.1	6.1	6.1	6.1	6.1	6.1
		-8.5	-9.1	6.3	6.3	6.2	6.2	6.2	6.2
		-7.0	-7.6	6.5	6.5	6.4	6.4	6.4	6.4
		-5.0	-5.6	6.8	6.7	6.7	6.7	6.7	6.7
		-3.0	-3.7	7.0	7.0	7.0	7.0	7.0	7.0
		0.0	-0.7	7.5	7.4	7.4	7.4	7.4	7.0
		3.0	2.2	7.9	7.8	7.8	7.7	7.5	7.0
		5.0	4.1	8.1	8.1	8.0	7.7	7.5	7.0
		7.0	6.0	8.4	8.4	8.0	7.7	7.5	7.0
		9.0	7.9	8.7	8.5	8.0	7.7	7.5	7.0
		11.0	9.8	8.9	8.5	8.0	7.7	7.5	7.0
13.0	11.8	9.0	8.5	8.0	7.7	7.5	7.0		
15.0	13.7	9.0	8.5	8.0	7.7	7.5	7.0		
100	12.5	-19.8	-20.0	7.4	7.4	7.3	7.3	7.3	7.3
		-18.8	-19.0	7.6	7.6	7.6	7.5	7.5	7.5
		-16.7	-17.0	8.0	8.0	8.0	8.0	8.0	8.0
		-14.7	-15.0	8.5	8.5	8.4	8.4	8.4	8.4
		-12.6	-13.0	8.9	8.9	8.9	8.9	8.9	8.8
		-10.5	-11.0	9.4	9.3	9.3	9.3	9.3	9.3
		-9.5	-10.0	9.6	9.6	9.5	9.5	9.5	9.5
		-8.5	-9.1	9.8	9.8	9.7	9.7	9.7	9.7
		-7.0	-7.6	10.1	10.1	10.1	10.1	10.1	10.0
		-5.0	-5.6	10.6	10.5	10.5	10.5	10.5	10.5
		-3.0	-3.7	11.0	11.0	10.9	10.9	10.9	10.9
		0.0	-0.7	11.6	11.6	11.6	11.6	11.6	10.9
		3.0	2.2	12.3	12.3	12.2	12.1	11.7	10.9
		5.0	4.1	12.7	12.7	12.5	12.1	11.7	10.9
		7.0	6.0	13.1	13.1	12.5	12.1	11.7	10.9
		9.0	7.9	13.5	13.3	12.5	12.1	11.7	10.9
		11.0	9.8	14.0	13.3	12.5	12.1	11.7	10.9
13.0	11.8	14.1	13.3	12.5	12.1	11.7	10.9		
15.0	13.7	14.1	13.3	12.5	12.1	11.7	10.9		

CA03A095

6 Dimensions

FXHQ32MVE



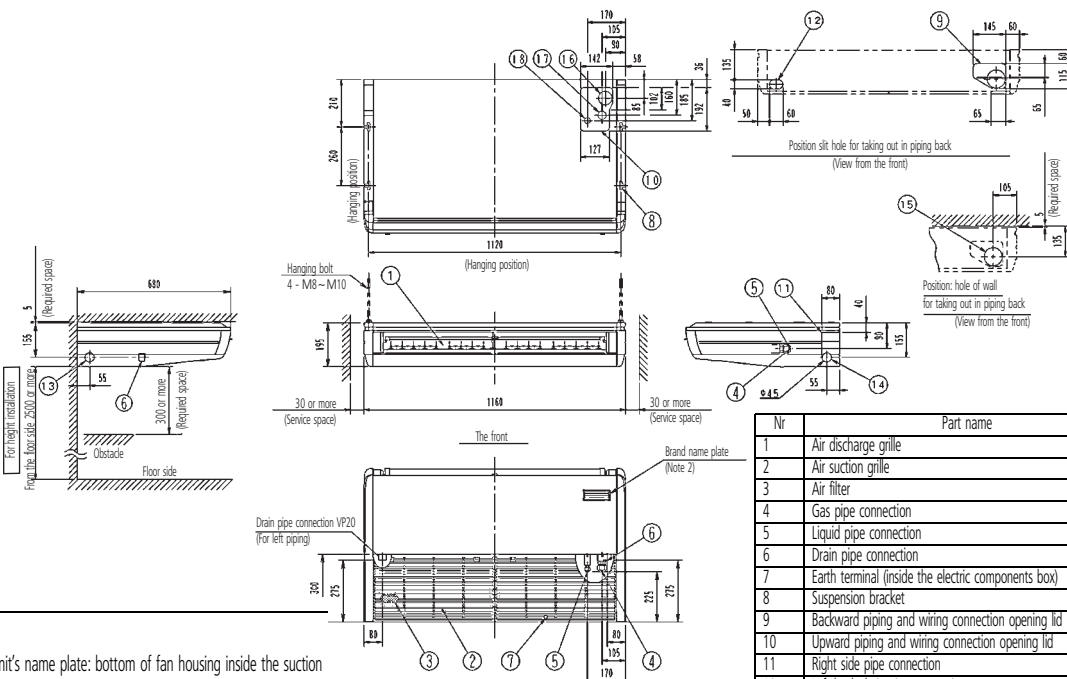
Nr	Part name	Description
1	Air discharge grille	
2	Air suction grille	
3	Air filter	
4	Gas pipe connection	ø 12.7 flare
5	Liquid pipe connection	ø 6.4 flare
6	Drain pipe connection	VP20
7	Earth terminal (inside the electric components box)	M4
8	Suspension bracket	
9	Backward piping and wiring connection opening lid	
10	Upward piping and wiring connection opening lid	
11	Right side pipe connection	Slit hole
12	Left back drain pipe connection	Slit hole
13	Left side drain pipe connection	Slit hole
14	Right side drain pipe connection	Slit hole
15	Hole of wall for taking out in piping back	ø 100
16	Upward drain pipe connection	ø 60
17	Upward gas pipe connection	ø 36
18	Upward liquid pipe connection	ø 26

NOTES

- 1 Location of unit's name plate: bottom of fan housing inside the suction grille.
- 2 In case of using infrared remote control, this position will be a signal receiver. Refer to the drawing of infrared remote control, in detail.
- 3 The remote control code is standard (about 3m outside the machine) attached. (0.5mm² x 2 wicks x O.D. ø 5.4) (it is not attached to VRV)

3D038855

FXHQ63MVE



Nr	Part name	Description
1	Air discharge grille	
2	Air suction grille	
3	Air filter	
4	Gas pipe connection	ø 15.9 flare
5	Liquid pipe connection	ø 9.5 flare
6	Drain pipe connection	VP20
7	Earth terminal (inside the electric components box)	M4
8	Suspension bracket	
9	Backward piping and wiring connection opening lid	
10	Upward piping and wiring connection opening lid	
11	Right side pipe connection	Slit hole
12	Left back drain pipe connection	Slit hole
13	Left side drain pipe connection	Slit hole
14	Right side drain pipe connection	Slit hole
15	Hole of wall for taking out in piping back	ø 100
16	Upward drain pipe connection	ø 60
17	Upward gas pipe connection	ø 36
18	Upward liquid pipe connection	ø 26

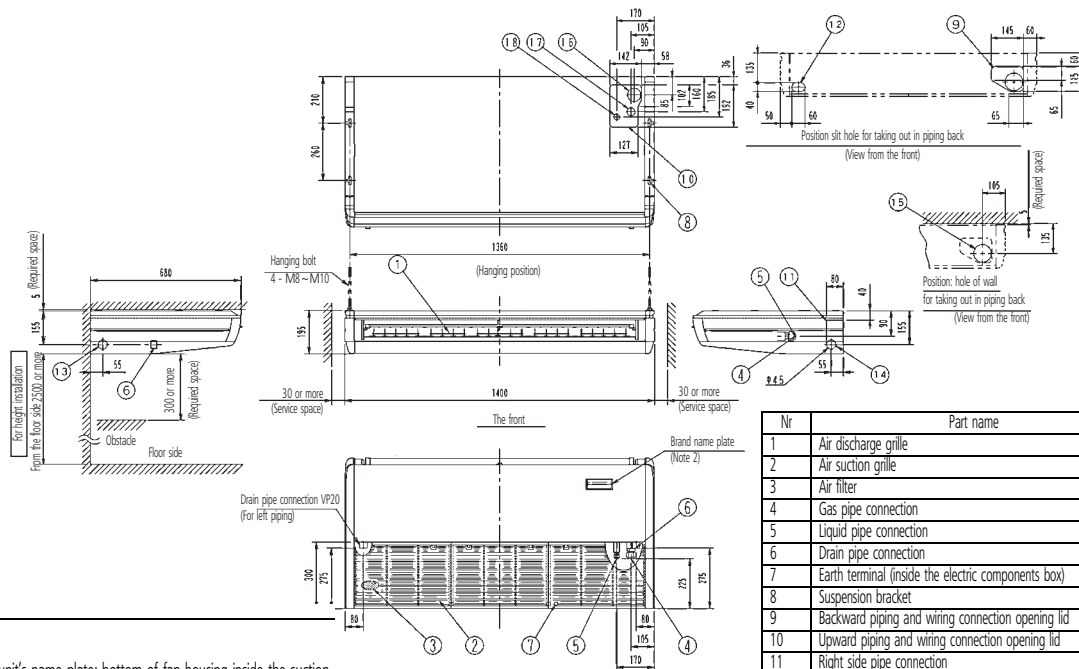
NOTES

- 1 Location of unit's name plate: bottom of fan housing inside the suction grille.
- 2 In case of using infrared remote control, this position will be a signal receiver. Refer to the drawing of infrared remote control, in detail.
- 3 The remote control code is standard (about 3m outside the machine) attached. (0.5mm² x 2 wicks x O.D. ø 5.4) (it is not attached to VRV)

3D038856

6 Dimensions

FXHQ100MVE



NOTES

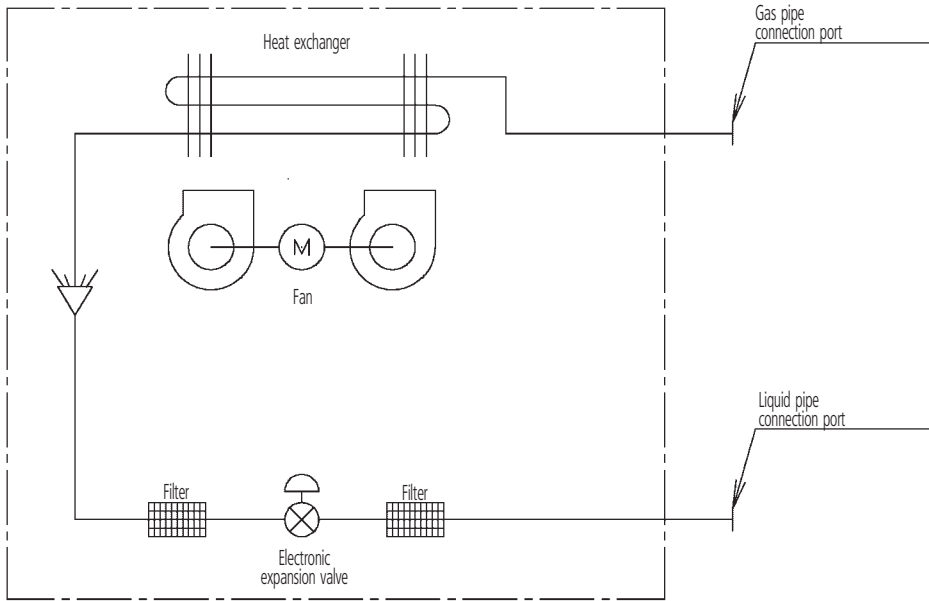
- 1 Location of unit's name plate: bottom of fan housing inside the suction grille.
- 2 In case of using infrared remote control, this position will be a signal receiver. Refer to the drawing of infrared remote control, in detail.
- 3 The remote control code is standard (about 3m outside the machine) attached. (0.5mm² x 2wicks x O.D. ø 5.4) (It is not attached to VRV)

Nr	Part name	Description
1	Air discharge grille	
2	Air suction grille	
3	Air filter	
4	Gas pipe connection	ø 15.9 flare
5	Liquid pipe connection	ø 9.5 flare
6	Drain pipe connection	VP20
7	Earth terminal (inside the electric components box)	M4
8	Suspension bracket	
9	Backward piping and wiring connection opening lid	
10	Upward piping and wiring connection opening lid	
11	Right side pipe connection	Slit hole
12	Left back drain pipe connection	Slit hole
13	Left side drain pipe connection	Slit hole
14	Right side drain pipe connection	Slit hole
15	Hole of wall for taking out in piping back	ø 100
16	Upward drain pipe connection	ø 60
17	Upward gas pipe connection	ø 36
18	Upward liquid pipe connection	ø 26

3D038857

7 Piping Diagram

FXHQ-MVE



Piping connection diameters

Model	Gas	Liquid
FXHQ32MVE	ø 12.7	ø 6.4
FXHQ63MVE	ø 15.9	ø 9.5
FXHQ100MVE	ø 15.9	ø 9.5

- ⏪⏩ Check valve
- ↪ Flare connection
- ⏪ Screw connection
- ⏪ Flange connection
- ✕ Pinched pipe
- ⏪ Spinned pipe

9 Sound level

9-1 Sound level data

Model	Sound pressure level - 220V			Sound power level
	H	L	Measuring location	
FXHQ32MVE	36	31		*
FXHQ63MVE	39	34		*
FXHQ100MVE	45	37		*

NOTES

- 1 Reference acoustic pressure 0 dB = 0.0002 μbar.
- 2 Measuring place: anechoic chamber.
- 3 Operating noise differs with operation and ambient conditions.

* Data were not available at time of publication.

9-2 Sound pressure spectrums

FXHQ32MVE

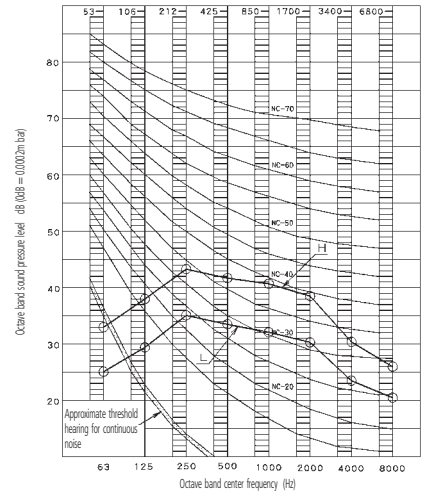
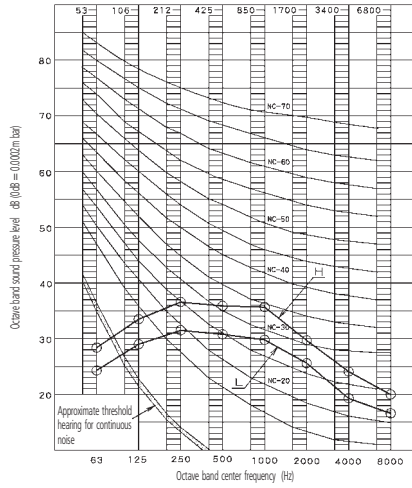
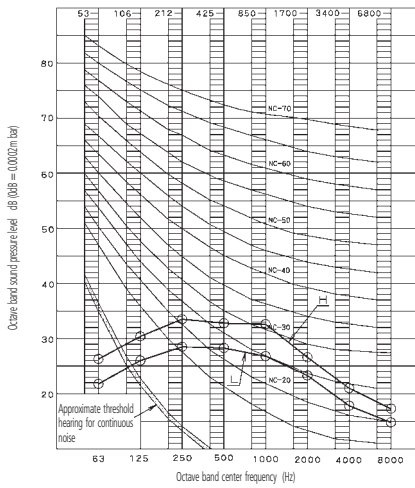
4D035301

FXHQ63MVE

4D035302

FXHQ100MVE

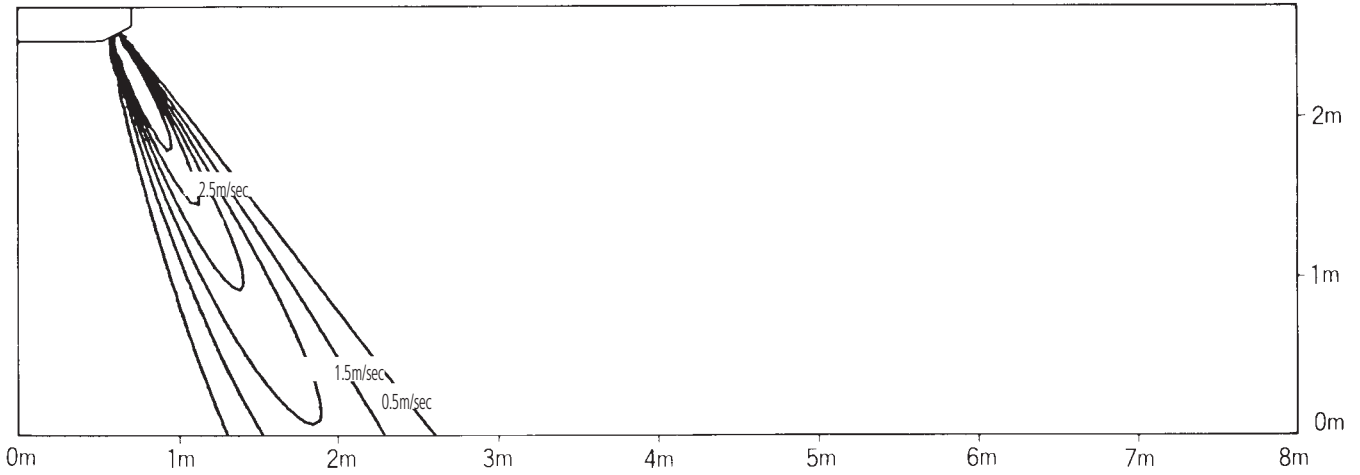
4D035303



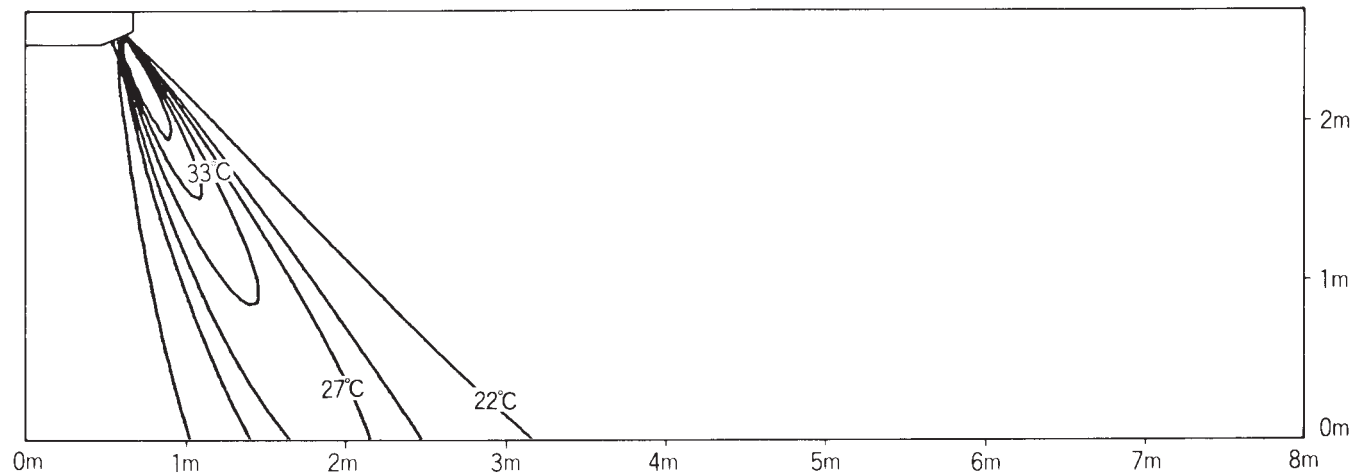
10 Air flow pattern

FXHQ100MVE

Heating Air velocity distribution
center air blow



Heating Temperature distribution
center air blow



2

VRV II Systems



ISO14001 assures an effective environmental management system in order to help protect human health and the environment from the potential impact of our activities, products and services and to assist in maintaining and improving the quality of the environment.



Daikin Europe N.V. is approved by LRQA for its Quality Management System in accordance with the ISO9001 standard. ISO9001 pertains to quality assurance regarding design, development, manufacturing as well as to services related to the product.

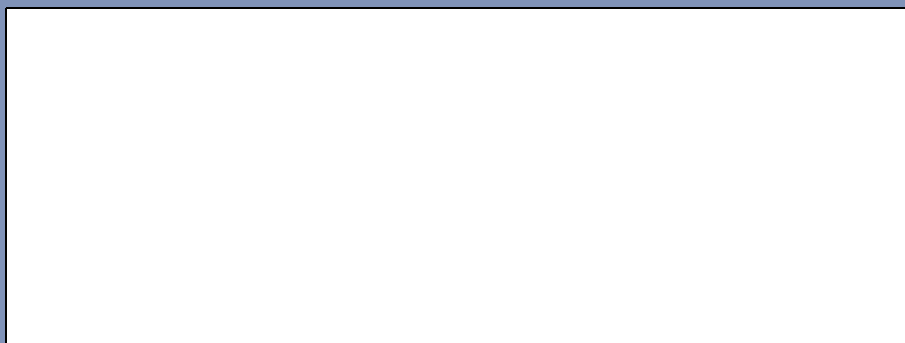


Daikin units comply with the European regulations that guarantee the safety of the product.

VRV products are not within the scope of the Eurovent certification programme.

Daikin equipment is designed for comfort applications. For use in other applications, please contact your local Daikin representative.

Specifications are subject to change without prior notice



DAIKIN EUROPE N.V.

Zandvoordestraat 300
B-8400 Ostend - Belgium
www.daikineurope.com