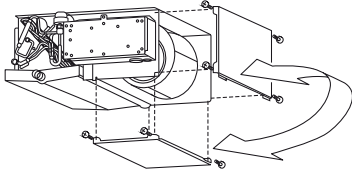


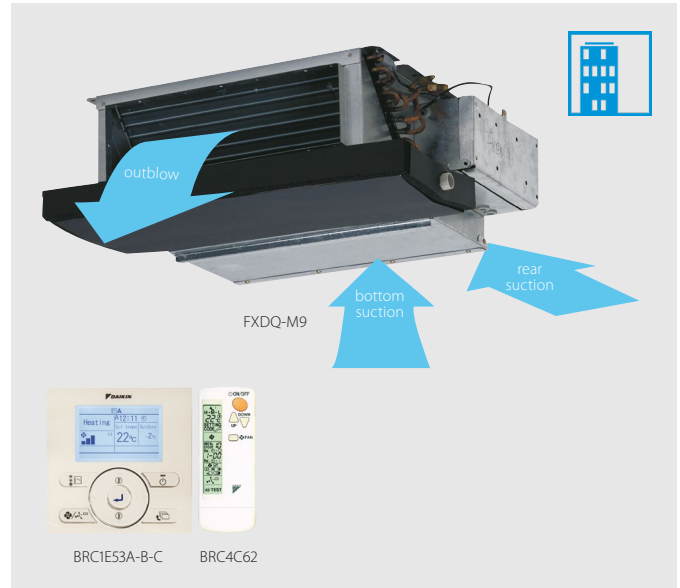
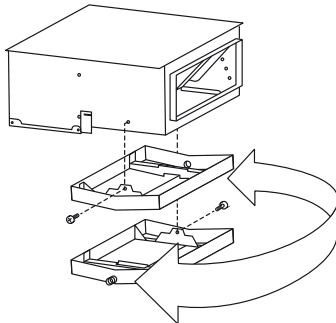
Small concealed ceiling unit

Designed for hotel applications

- › Compact unit (230mm high & 652mm deep), can easily be mounted in narrow ceiling voids
- › Discretely concealed in the ceiling: only the suction and discharge grilles are visible
- › Flexible installation, as the air suction direction can be altered from rear to bottom suction



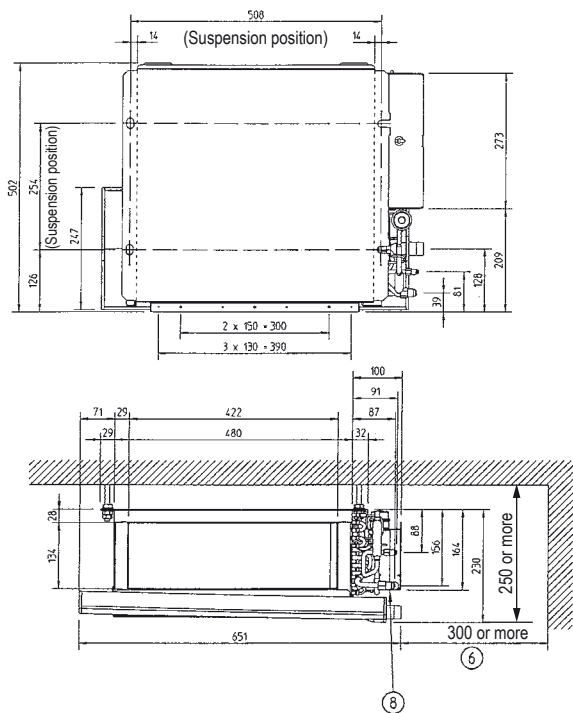
- › For easy mounting, the drain pan can be located to the left or right of the unit



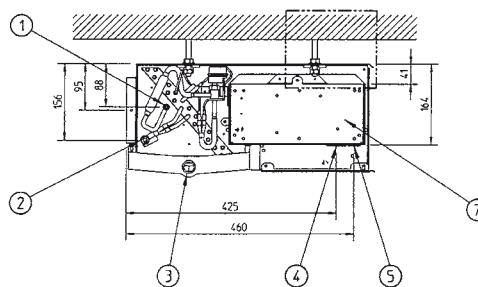
Indoor unit				FXDQ	20M9	25M9
Cooling capacity	Nom.		kW	2.2	2.8	
Heating capacity	Nom.		kW	2.5	3.2	
Power input - 50Hz	Cooling	Nom.	kW		0.050	
	Heating	Nom.	kW		0.050	
Required ceiling void >			mm	250		
Dimensions	Unit	Height	mm	230		
		Width	mm	502		
		Depth	mm	652		
Weight	Unit		kg	17		
Casing	Colour			Unpainted		
	Material			Galvanised steel		
Fan-Air flow rate - 50Hz	Cooling	High/Low	m ³ /min	6.7/5.2	7.4/5.8	
	Heating	High/Low	m ³ /min	6.7/5.2	7.4/5.8	
Air filter	Type			Resin net with mold resistance		
Sound power level	Cooling	Nom.	dBA	50		
Sound pressure level	Cooling	High/Low	dBA	37/32		
	Heating	High/Low	dBA	37/32		
Refrigerant	Type			R-410A		
	GWP			2,087.5		
Piping connections	Liquid	OD	mm	6.35		
	Gas	OD	mm	12.7		
	Drain			I.D. 21.6, O.D. 27.2		
Power supply	Phase/Frequency/Voltage		Hz/V	1~/50/230		
Current - 50Hz	Maximum fuse amps (MFA)		A	16		
Control systems	Infrared remote control			BRC4C62		
	Wired remote control			BRC1E53A / BRC1E53B / BRC1E53C / BRC1D52		
	Simplified wired remote control for hotel applications			BRC2E52C (heat recovery type) / BRC3E52C (heat pump type)		



FXDQ-M9



Nr	Part name
1	Liquid pipe connection (ø 6.35)
2	Gas pipe connection (ø 12.7)
3	Drain hole (o.d. ø 27.2 - i.d. ø 21.6)
4	Transmission wiring port
5	Power supply wiring port
6	Service space
7	Switch box
8	Nameplate



3TW25774-1