



Air Conditioners

Technical Data

Wall mounted unit



EEDEN12-100

FTXR-E

TABLE OF CONTENTS

FTXR-E

1	Features	2
2	Specifications	3
	Technical Specifications	3
	Electrical Specifications	4
3	Dimensional drawings	5
	Dimensional Drawings	5
4	Centre of gravity	6
	Centre of Gravity	6
5	Piping diagrams	7
	Piping Diagrams	7
6	Wiring diagrams	8
	Wiring Diagrams - Single Phase	8
7	Sound data	9
	Sound Pressure Spectrum - Cooling	9
	Sound Pressure Spectrum - Heating	10

1 Features

- URURU humidification: maintains a comfortable humidity level without any separate water supply
- SARARA dehumidification: maintains a comfortable and fresh indoor environment by removing moisture from the air without lowering the temperature
- Powerful ventilation refreshes the room within 2 hours
- Powerful air purification increases indoor air quality with Daikin Flash Streamer technology
- Good design award: unique evaluation criterion for industrial design in Japan
- Night set mode saves energy by preventing overcooling or overheating during night time
- Powerful mode can be selected for rapid heating or cooling; after the powerful mode is turned off, the unit returns to the preset mode.
- Comfort mode guarantees draught free operation by preventing that warm or cold air is directly blown on to the body
- Whisper quiet operation: down to 23dBA sound pressure level
- Indoor unit silent operation: "silent" button on the remote control lowers the operation sound of the indoor unit by 3dBA
- Titanium apatite photocatalytic air purification filter removes airborne microscopic particles, powerfully decomposes odours and helps to prevent the propagation of bacteria, viruses, microbes to ensure a steady supply of clean air
- 3-D air flow combines vertical and horizontal auto swing to circulate a stream of warm or cool air right to the corners of even large spaces
- Other features: moisturizing operation mode, breeze cooling air flow, comfort sleep operation, mould shock operation



1

2 Specifications

2-1 Technical Specifications				FTXR28E	FTXR42E	FTXR50E	
Power input - 50Hz	Cooling	Nom.	kW	0.030	0.035	0.040	
	Heating	Nom.	kW	0.030	0.035	0.040	
Casing	Colour			White			
Dimensions	Unit	Height/Width/Depth		305/890/209			
	Packed unit	Height/Width/Depth		378/956/280			
Weight	Unit		kg	14			
	Packed unit		kg	18			
Heat exchanger	Length		mm	700			
	Rows	Quantity		2 / 1	2 / 1	2 / 1	
	Fin pitch		mm	1.2 / 1.6	1.2 / 1.6	1.2 / 1.6	
	Stages	Quantity		20 / 12	20 / 12	20 / 12	
	Tube type		ø6.35 Hi-XU				
	Fin	Type		Multi slit fin			
Fan	Type			Cross flow fan (with saw edge)			
	Air flow rate	Cooling	High	m ³ /min	11.1	12.4	13.3
				cfm	392	438	470
			Nom.	m ³ /min	8.8	9.6	10.3
				cfm	311	339	364
			Low	m ³ /min	6.5	6.8	7.3
				cfm	230	240	258
		Silent operation	m ³ /min	5.7	6.0	6.5	
			cfm	201	212	230	
		Heating	High	m ³ /min	12.4	12.9	14.0
				cfm	438	456	494
			Nom.	m ³ /min	9.8	10.2	11.1
				cfm	346	360	392
	Low		m ³ /min	7.3	7.7	8.3	
cfm			258	272	239		
Silent operation	m ³ /min	6.5	6.8	7.3			
	cfm	230	240	258			
Fan motor	Model			KFD-280-57-8A			
	Speed	Steps		5 + silent, + auto			
		Cooling	High/Medium/Low/ Silent operation	rpm	1,190/990/790/720	1,300/1,060/820/750	1,380/1,120/860/790
	Heating	High/Medium/Low/ Silent operation	rpm	1,300/1,080/860/790	1,340/1,110/890/820	1,440/1,190/950/860	
Output	High		W	57			
Sound power level	Cooling	Nom.	dBA	55	58	60	
	Heating	Nom.	dBA	57	58	60	
Sound pressure level	Cooling	High/Nom./Low/Silent operation		dBA	39/33/26/23	42/35/27/24	44/37/29/26
	Heating	Super high/High/Nom./Low/ Silent operation		dBA	-/41/35/28/25	-/42/36/29/26	-/44/38/31/28
Refrigerant	Type			R-410A			
Piping connections	Heat insulation			Both liquid and gas pipes			
Temperature control				Microcomputer control			
Air direction control				Right, Left, Horizontal, Downward			
Air filter	Type			Removable / washable / mildew proof			

Standard Accessories : Batteries; Quantity : 2;

Standard Accessories : Fixing screw for drain hose; Quantity : 1;

Standard Accessories : Fixing screw for indoor unit; Quantity : 2;

Standard Accessories : Air Supply filter frame; Quantity : 1;

Standard Accessories : Deodorising filter for streamer; Quantity : 1;

Standard Accessories : Titanium apatite photocatalytic air purification filter; Quantity : 1;

Standard Accessories : Air supply filter; Quantity : 1;

Standard Accessories : Remote control holder; Quantity : 1;

Standard Accessories : Infrared remote control (ARC447A1); Quantity : 1;

Standard Accessories : Operation manual; Quantity : 1;

Standard Accessories : Installation manual; Quantity : 1;

2 Specifications

2-2 Electrical Specifications				FTXR28E	FTXR42E	FTXR50E
Power supply	Name			V1		
	Phase			1~		
	Frequency		Hz	50		
	Voltage		V	220-240		
Current	Nominal running current (RLA) - 50Hz	Cooling	A	0.14	0.16	0.19
		Heating	A	0.14	0.16	0.19
Current - 60Hz	Nominal running current		A	-		
Wiring connections - 50Hz	For power supply	Remark		3 for power supply, 4 for interunit wiring (Earth wire included)		

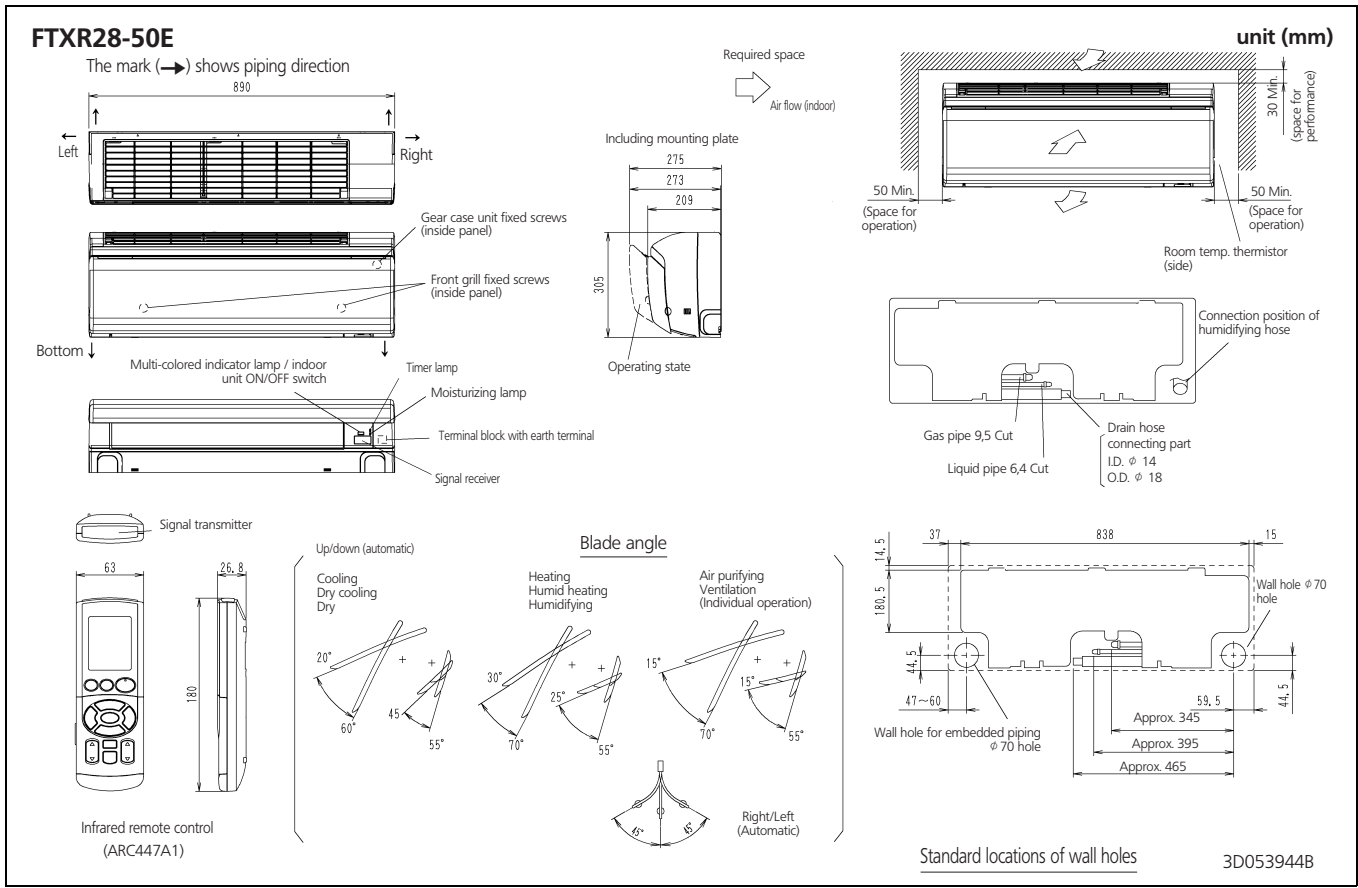
Notes

(1) SL: The silent fan level of the air flow rate setting

(2) When connected with multi-system outdoor unit, refer to the specifications of the multi outdoor unit to be connected.

3 Dimensional drawings

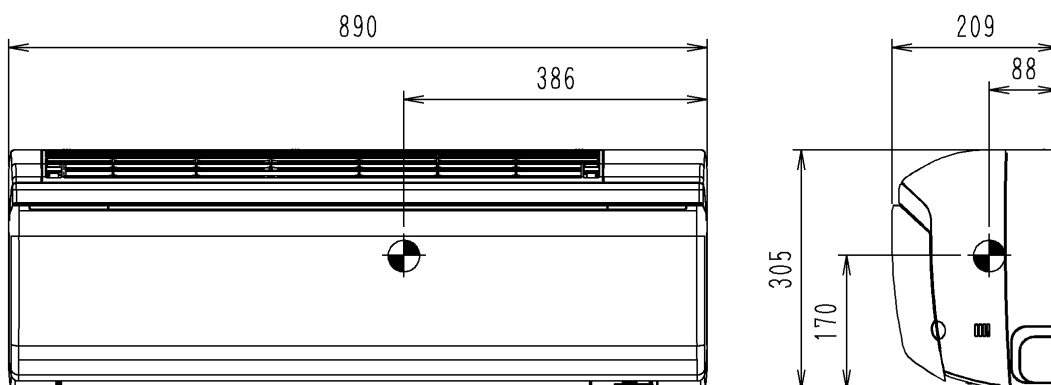
3 - 1 Dimensional Drawings



4 Centre of gravity

4 - 1 Centre of Gravity

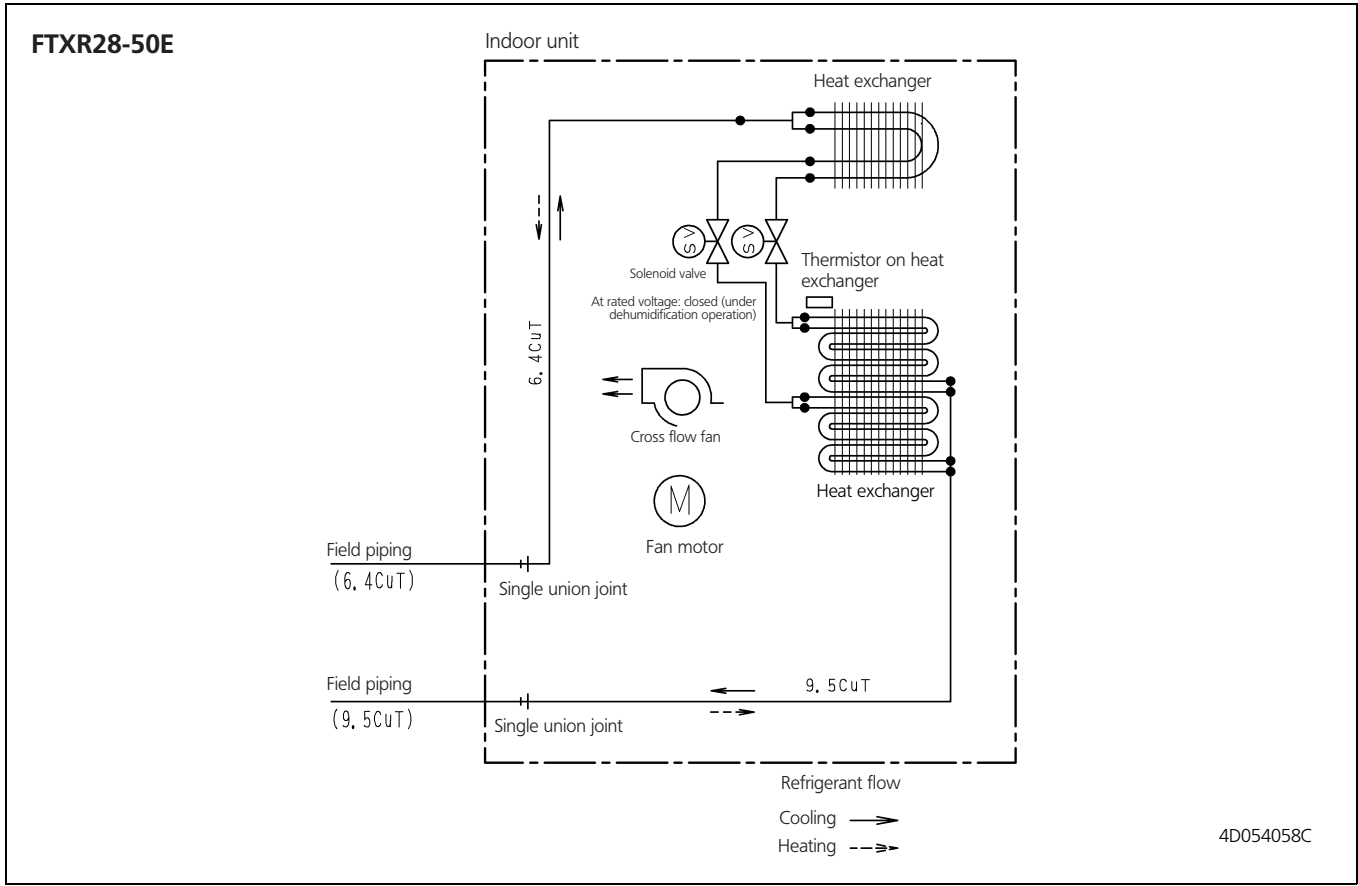
FTXR28-50E



4D054060C

5 Piping diagrams

5 - 1 Piping Diagrams



6 Wiring diagrams

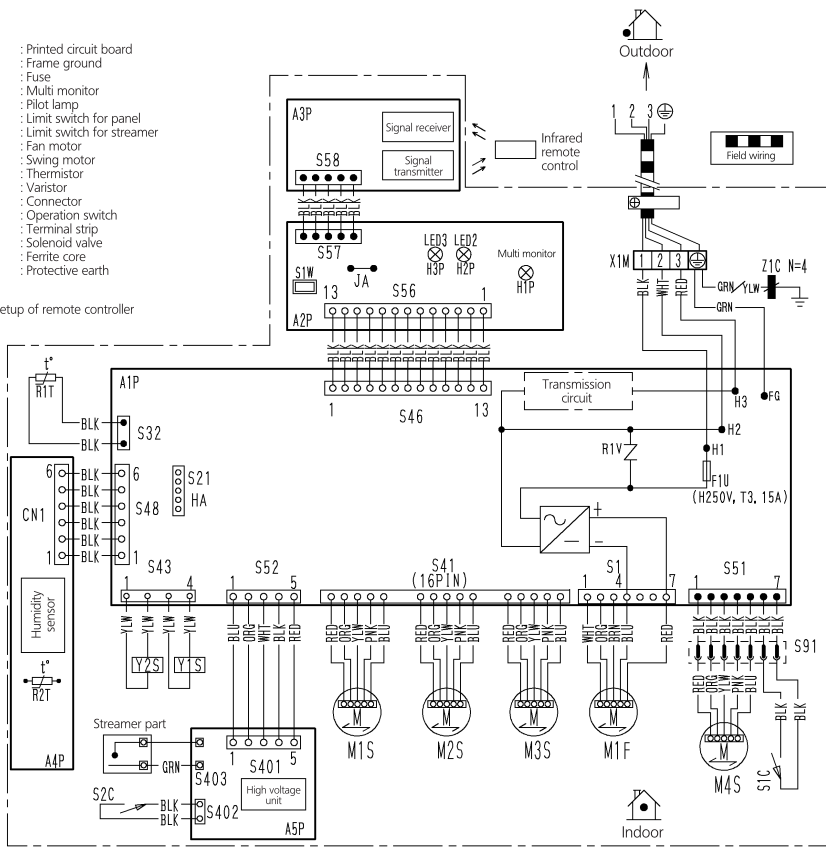
6 - 1 Wiring Diagrams - Single Phase

6

FTXR-E

- A1P~A5P : Printed circuit board
- FG : Frame ground
- F1U : Fuse
- H1P : Multi monitor
- H2P,H3P : Pilot lamp
- S1C : Limit switch for panel
- S2C : Limit switch for streamer
- M1F : Fan motor
- M1S~M4S : Swing motor
- R1T, R2T : Thermistor
- R1V : Varistor
- S1~S403,CN1 : Connector
- S1W : Operation switch
- X1M : Terminal strip
- Y1S,Y2S : Ferrite core
- Z1C : Protective earth

Jumper
JA An address setup of remote controller



CAUTION
Note that operation will restart automatically if the main power supply is turned off and then back on again.

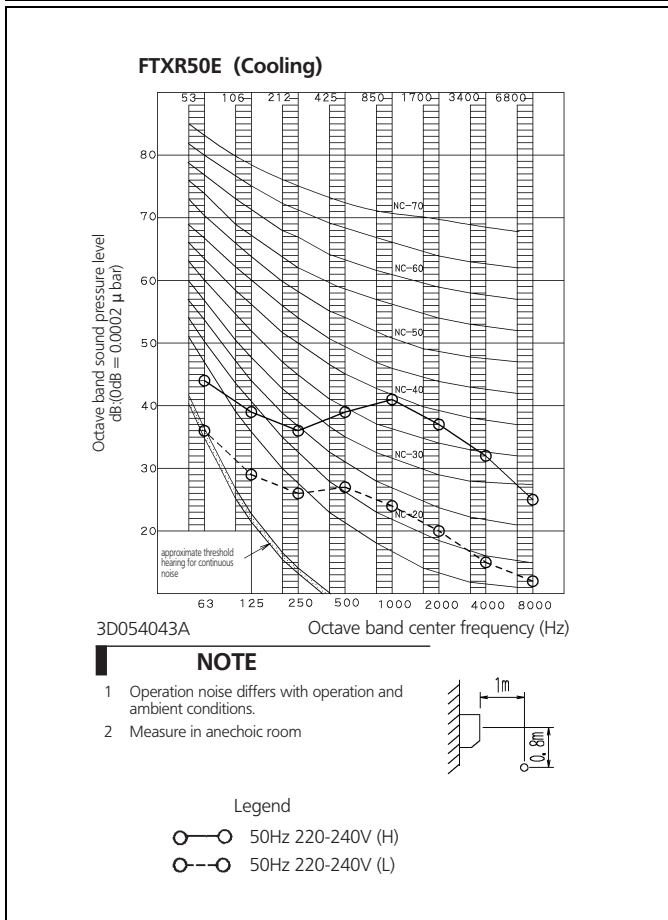
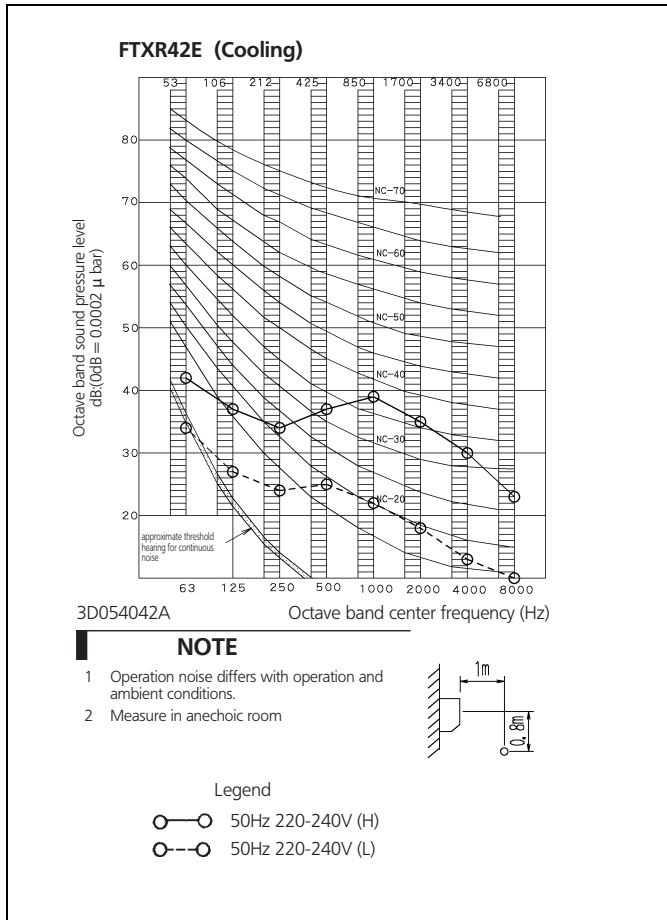
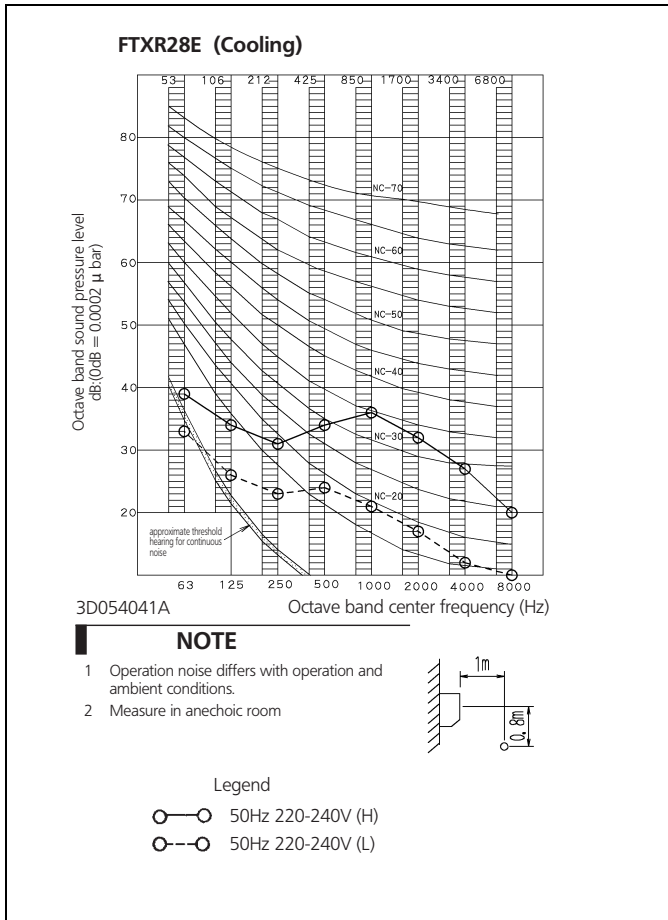
- Note)
- 1 Size: length 120 x width 110.
 - 2 Refer to purchasing specification AS303002, unless otherwise specified.
 - 3 This drawing was drawn on CAD system.

3D052768D

8

7 Sound data

7 - 1 Sound Pressure Spectrum - Cooling

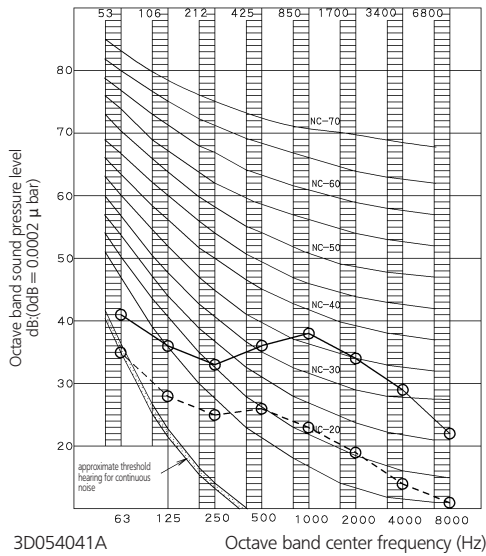


7 Sound data

7 - 2 Sound Pressure Spectrum - Heating

7

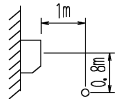
FTXR28E (Heating)



3D054041A

NOTE

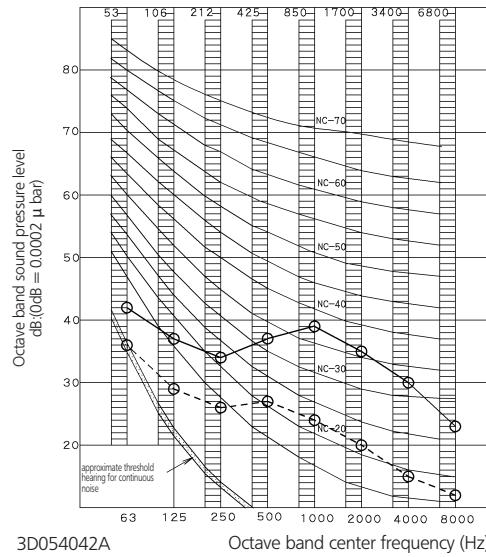
- 1 Operation noise differs with operation and ambient conditions.
- 2 Measure in anechoic room



Legend

- 50Hz 220-240V (H)
- 50Hz 220-240V (L)

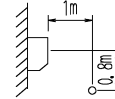
FTXR42E (Heating)



3D054042A

NOTE

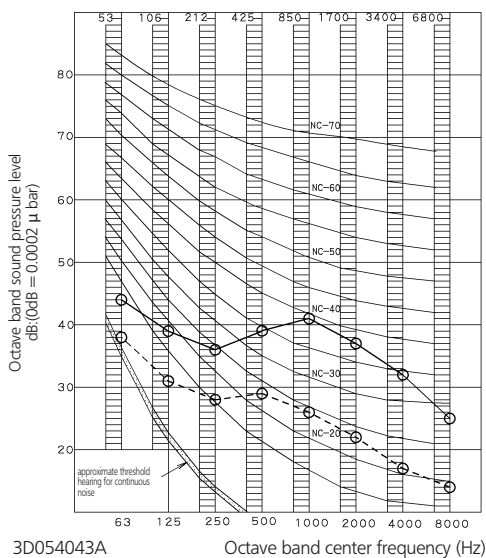
- 1 Operation noise differs with operation and ambient conditions.
- 2 Measure in anechoic room



Legend

- 50Hz 220-240V (H)
- 50Hz 220-240V (L)

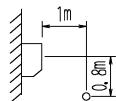
FTXR50E (Heating)



3D054043A

NOTE

- 1 Operation noise differs with operation and ambient conditions.
- 2 Measure in anechoic room



Legend

- 50Hz 220-240V (H)
- 50Hz 220-240V (L)

In all of us,
a green heart



Daikin's unique position as a manufacturer of air conditioning equipment, compressors and refrigerants has led to its close involvement in environmental issues. For several years Daikin has had the intention to become a leader in the provision of products that have limited impact on the environment. This challenge demands the eco design and development of a wide range of products and an energy management system, resulting in energy conservation and a reduction of waste.



Daikin Europe N.V. participates in the Eurovent Certification programme for Air conditioners (AC), Liquid Chilling Packages (LCP), Air handling units (AHU) and Fan coil units (FCU). Check ongoing validity of certificate online: www.eurovent-certification.com or using: www.certiflash.com

The present leaflet is drawn up by way of information only and does not constitute an offer binding upon Daikin Europe N.V. Daikin Europe N.V. has compiled the content of this leaflet to the best of its knowledge. No express or implied warranty is given for the completeness, accuracy, reliability or fitness for particular purpose of its content and the products and services presented therein. Specifications are subject to change without prior notice. Daikin Europe N.V. explicitly rejects any liability for any direct or indirect damage, in the broadest sense, arising from or related to the use and/or interpretation of this leaflet. All content is copyrighted by Daikin Europe N.V.



EEDEN12-100

Daikin products are distributed by: