

technical data



FTKS-D3VML_D2V1L

**Wall Mounted,
Inverter Controlled Unit**

air conditioning systems

Split Sky Air

TABLE OF CONTENTS

FTKS-D3VML_D2V1L

1	Features	2
2	Specifications	3
	For indoor units only	3
	Technical Specifications	3
	Electrical Specifications	4
3	Dimensional drawing & centre of gravity	5
	Dimensional drawing	5
	Centre of gravity	6
4	Piping diagram	7
5	Wiring diagram	8
	Wiring diagram	8
6	Sound data	9
	Sound pressure spectrum	9

1 Features

- Comfort mode reassures draught-free operation
- Vertical auto-swing function moves the discharge flaps up and down for efficient air distribution throughout the room
- You have the choice out of 5 fan speeds to select
- Daikin's special dry programme reduces humidity in the room without variation in room temperature
- Night set mode saves energy by preventing overcooling or overheating during night time
- Indoor unit silent operation: "Silent" button on the remote control lowers the operation sound of the indoor unit by 3dB(A).
- Powerful mode can be selected for rapid cooling
- The new titanium apatite photocatalytic air purification filter increases the active surface area for effective purification and deodorisation
- ECONO mode decreases power consumption so that other appliances that need large power supply can be used
- The movement sensor saves power consumption in unoccupied rooms
- Daikin remote controls give you easy control at your fingertips.

1



								
			optional					
								
5 steps		standard						
			(integrated titanium apatite)					

2 Specifications

2-1 FOR INDOOR UNITS ONLY			FTKS20D3VML	FTKS25D3VML	FTKS35D3VML	FTKS50D2V1L
Nominal Input	Cooling	kW	0.035	0.035	0.040	0.048

2-2 TECHNICAL SPECIFICATIONS				FTKS20D3VML	FTKS25D3VML	FTKS35D3VML	FTKS50D2V1L	
Casing	Colour			White + silver line	White + silver line	White + silver line	White + silver line	
Dimensions	Packing	Height	mm	340	340	340	340	
		Width	mm	855	855	855	855	
		Depth	mm	265	265	265	265	
	Unit	Height	mm	283	283	283	283	
		Width	mm	800	800	800	800	
		Depth	mm	195	195	195	195	
Weight	Unit		kg	9.0	9.0	9.0	9.0	
	Packed Unit		kg	12.0	12.0	12.0	12.0	
Heat Exchanger	Dimensions	Length	mm	610	610	610	610	
		Nr of Rows			2	2	2	2
		Fin Pitch	mm	1.40	1.40	1.40	1.40	
		Nr of Stages			12	12	12	14
	Tube type		Hi-XA (7)					
Fin		Type	ML fin (Multi louver)					
Fan	Type			Cross flow fan				
Air Flow Rate	Cooling	High	m ³ /min	8.7	8.7	8.9	11.4	
		Medium	m ³ /min	6.7	6.7	6.9	9.3	
		Low	m ³ /min	4.7	4.7	4.8	7.1	
		Silent Operation	m ³ /min	3.9	3.9	4.0	6.2	
Fan	Motor	Quantity		1	1	1	1	
		Model		KFD-280-40-8B				
		Number of steps		5 steps, silent and auto				
Motor	Speed (cooling)	High	rpm	1250	1250	1270	1580	
		Medium	rpm	1030	1030	1050	1330	
		Low	rpm	810	810	830	1090	
		Silent Operation	rpm	710	710	730	980	
Fan	Motor	Output (high)	W	40	40	40	40	
Cooling	Sound Power	High	dBA	56.0	56.0	57.0	62.0	
		Low	dBA	25.0	25.0	26.0	35.0	
	Sound Pressure	High	dBA	38.0	38.0	39.0	46.0	
		Medium	dBA				41.0	
		Silent Operation	dBA	22.0	22.0	23.0	32.0	
Refrigerant	Type			R-410A				
Piping connections	Liquid (OD)	Diameter (OD)	mm	6.4	6.4	6.4	6.4	
		Gas	Diameter (OD)	mm	9.5	9.5	9.5	12.7
	Drain	Diameter (OD)	mm	18	18	18	18	
	Heat Insulation			Both liquid and gas pipes				
Air Filter			Removable/washable/Mildew proof					
Air direction control			Left, right, up and downwards					
Temperature control			Microcomputer control					

2 Specifications

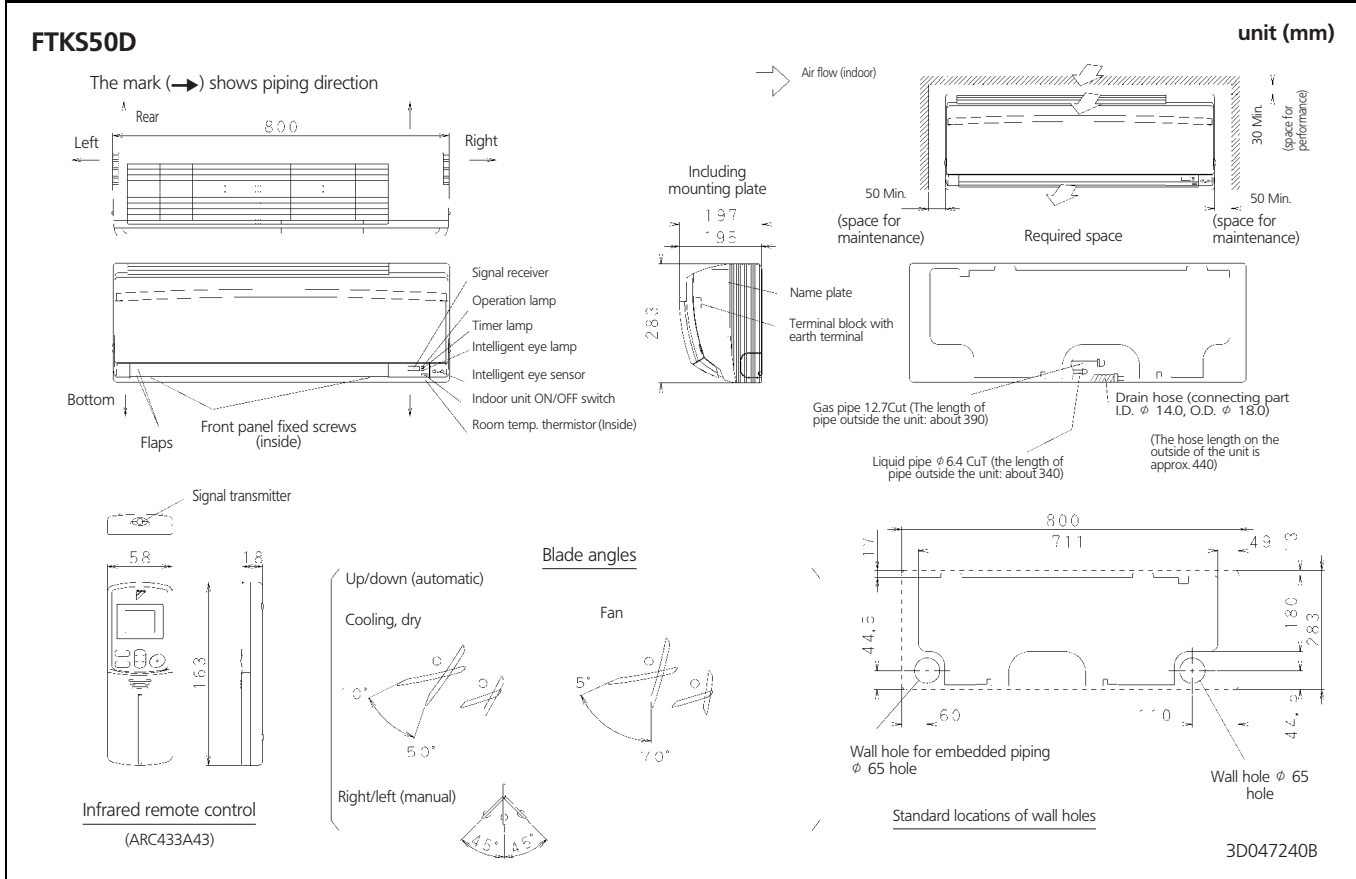
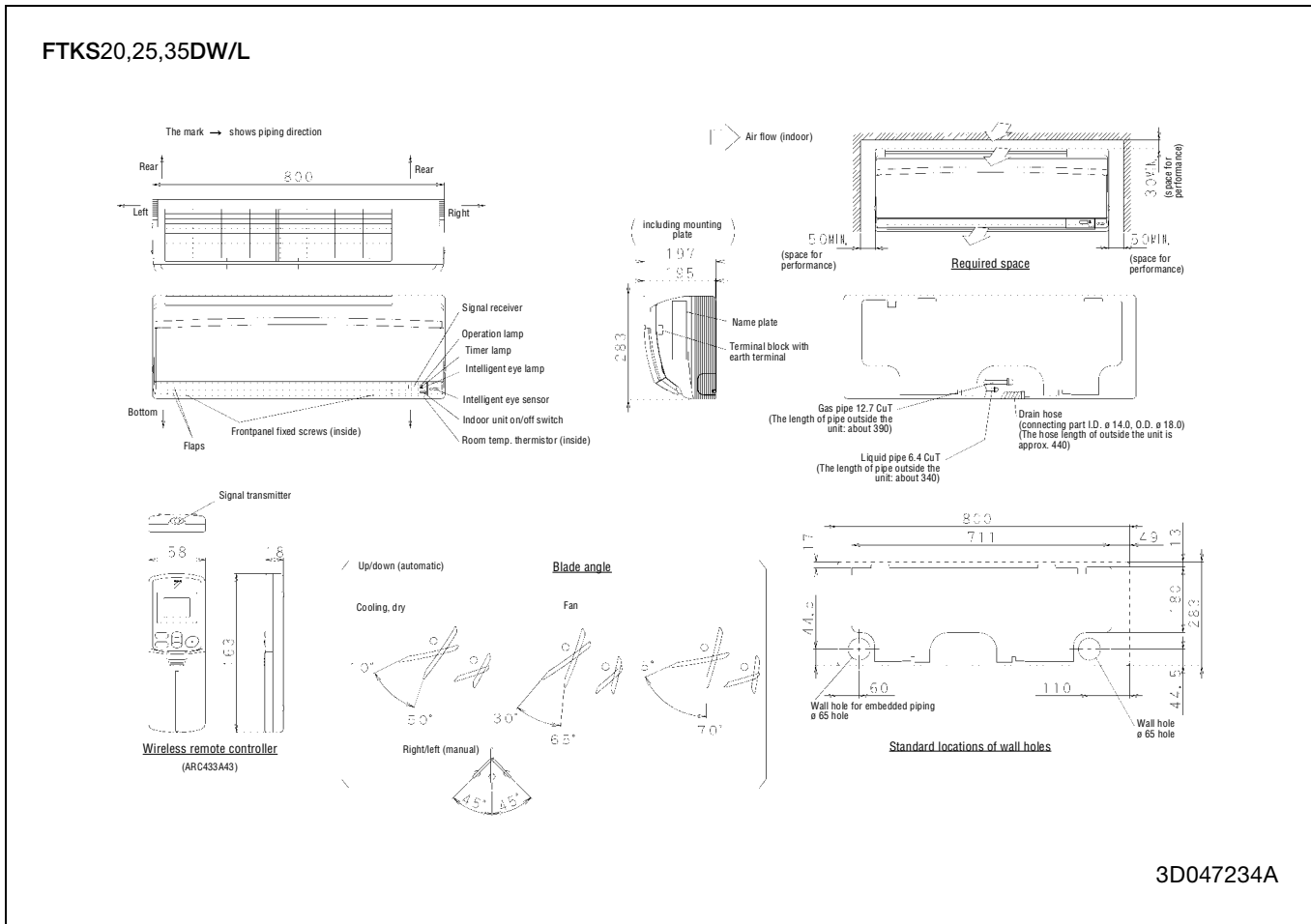
2

2-2 TECHNICAL SPECIFICATIONS			FTKS20D3VML	FTKS25D3VML	FTKS35D3VML	FTKS50D2V1L
Standard Accessories	Item		Titanium apatite photocatalytic air purification filter			
	Quantity		2	2	2	2
	Item		Operation manual			
	Quantity		1	1	1	1
	Item		Installation manual			
	Quantity		1	1	1	1
	Item		Infrared remote control			
	Quantity		1	1	1	1
	Item		Batteries			
	Quantity		2	2	2	2
	Item		Remote control holder			
	Quantity		1	1	1	1
	Item		Indoor unit fixing screws			
	Quantity		2	2	2	2
Item		Mounting plate				
Quantity		1	1	1	1	
Notes			Sound values are measured in an anechoic room.			
			Sound pressure level is a relative value, depending on the distance and acoustic environment. For more details, please refer to sound level drawings of this chapter.			
			The sound power level is an absolute value indicating the power which a sound source generates.			

2-3 ELECTRICAL SPECIFICATIONS				FTKS20D3VML	FTKS25D3VML	FTKS35D3VML	FTKS50D2V1L
Power Supply	Name			VM	VM	VM	V1
	Phase			1	1	1	1
	Frequency		Hz	50/60	50/60	50/60	50
	Voltage		V	220-240/220-230	220-240/220-230	220-240/220-230	220-240
Current	Nominal running current (RLA)	Cooling	A	0.16	0.16	0.18	0.21
			Quantity			3	3
Wiring connections	For Power Supply	Remark		4 for interunit wiring (included earth wiring)			
		Minimum		-10%			
Voltage range	Maximum		+10%				
	Power Supply Intake			Outdoor unit only			

3 Dimensional drawing & centre of gravity

3 - 1 Dimensional drawing

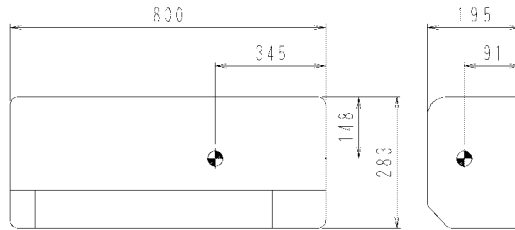


3 Dimensional drawing & centre of gravity

3 - 2 Centre of gravity

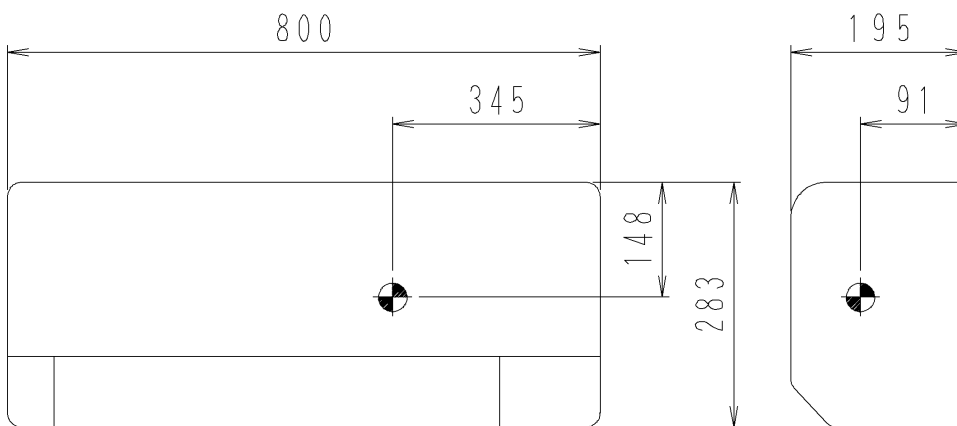
3

FTK/XS20,25,35DVMW/L



4D048210

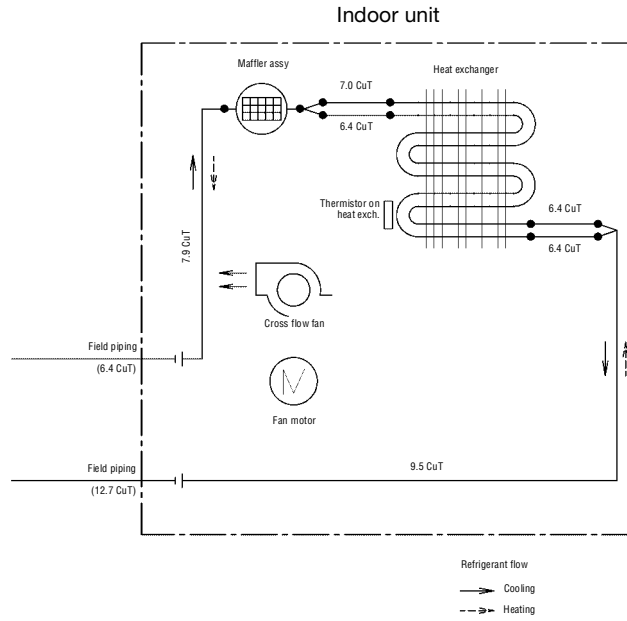
FTK/XS50D



4D048210D

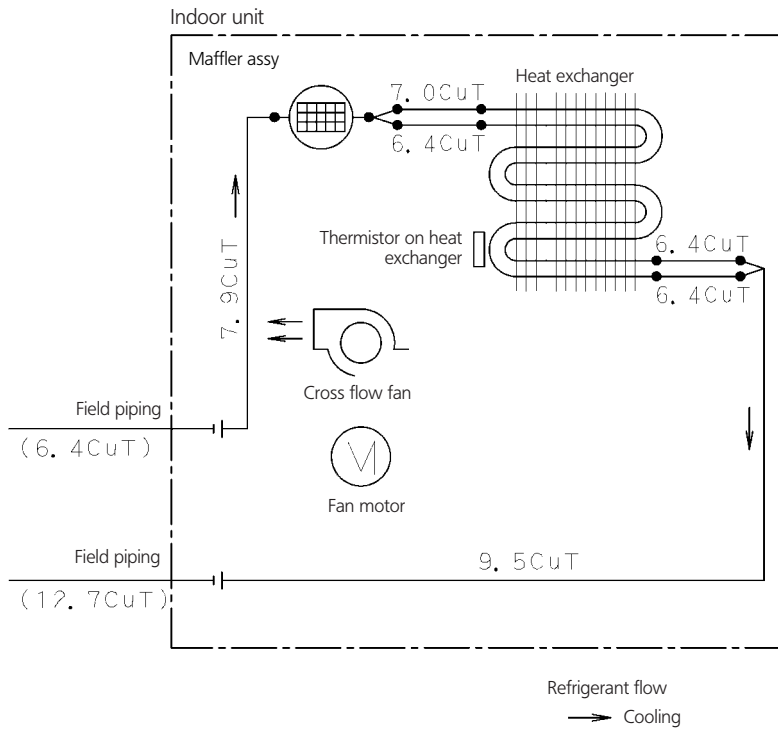
4 Piping diagram

FTK/XS20,25,35DW/L



4D047912

FTKS50D



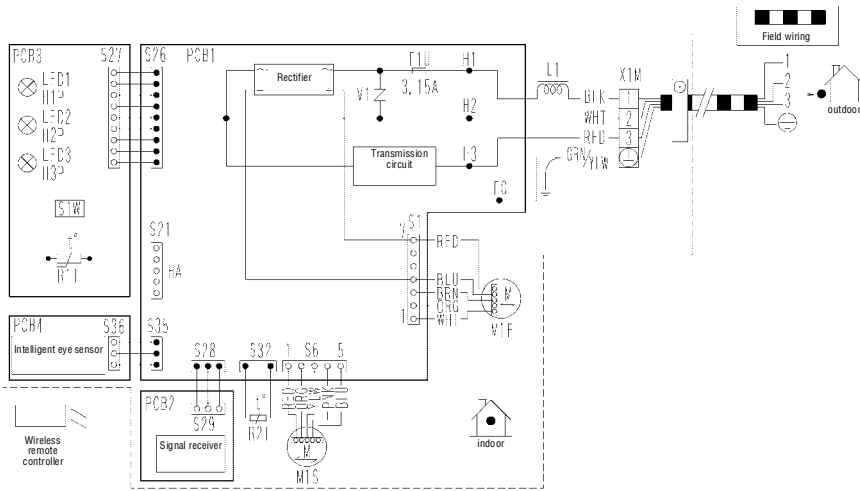
4D051577

5 Wiring diagram

5 - 1 Wiring diagram

5

FTK/XS20,25,35DW/L



LEGEND

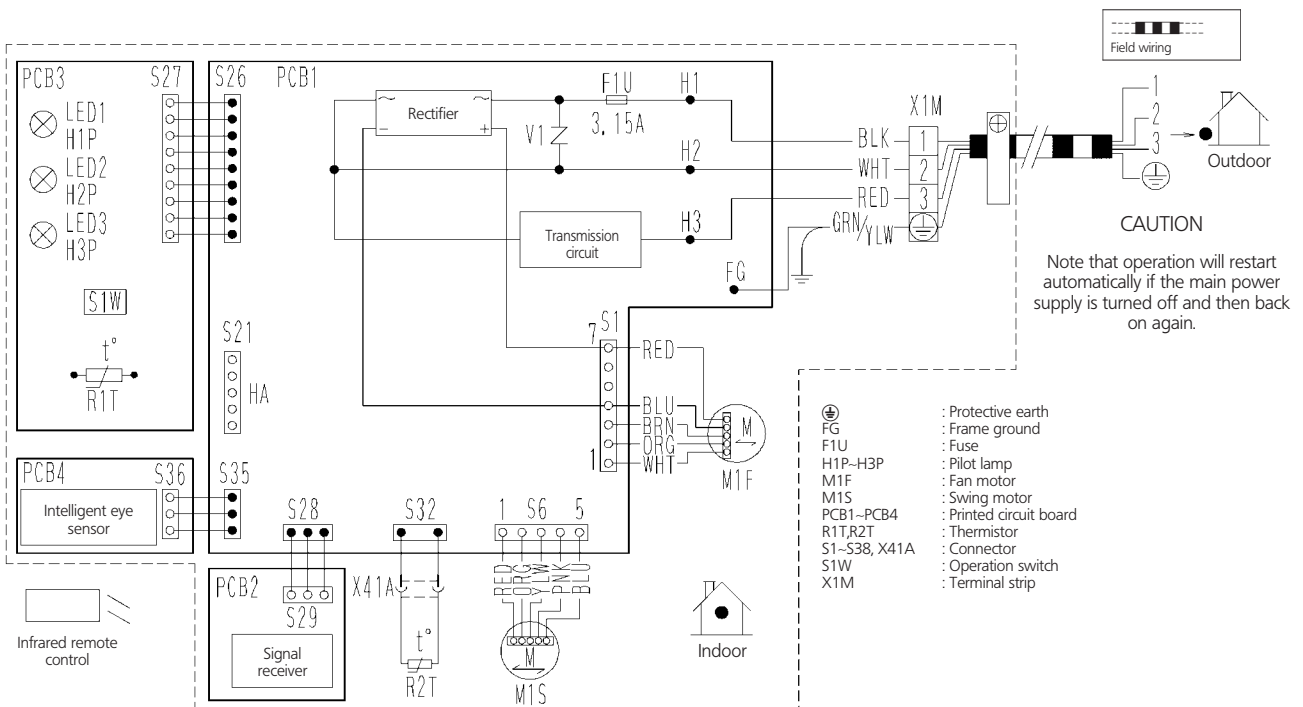
⊕	Protective earth
FG	Frame ground
F1U	Fuse
H1P~H3P	Pilot lamp
L1	Coil
M1F	Fan motor
M1S	Swing motor
PCB1~PCB4	Printed circuit board
R1T, R2T	Thermistor
S1~S38	Connector
S1W	Operation switch
X1M	Terminal strip

NOTES

- 1 Size: length 70 x width 120.
- 2 Refer to purchasing specification AS303002, unless otherwise specified.
- 3 This drawing was drawn on CAD system.
- 4 Caution: Note that operation will restart automatically if the main power supply is turned off and then back on again.

3D047523

FTK/XS50D

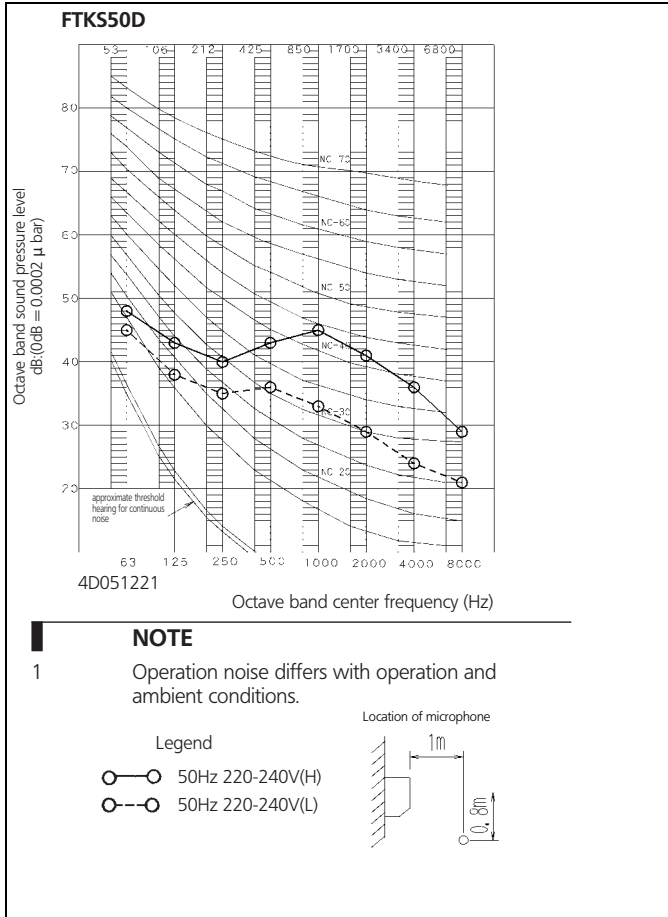
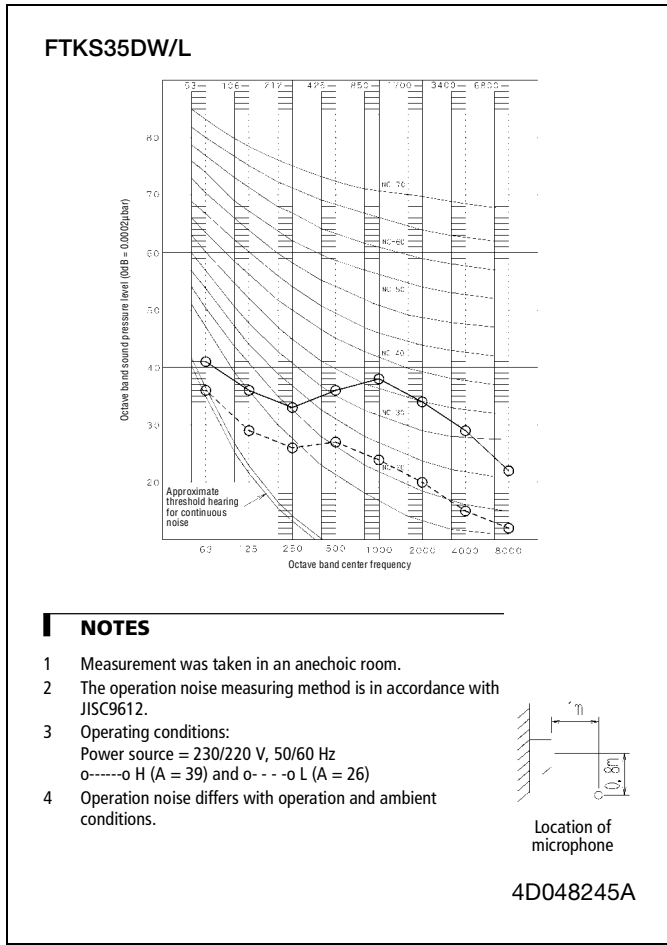
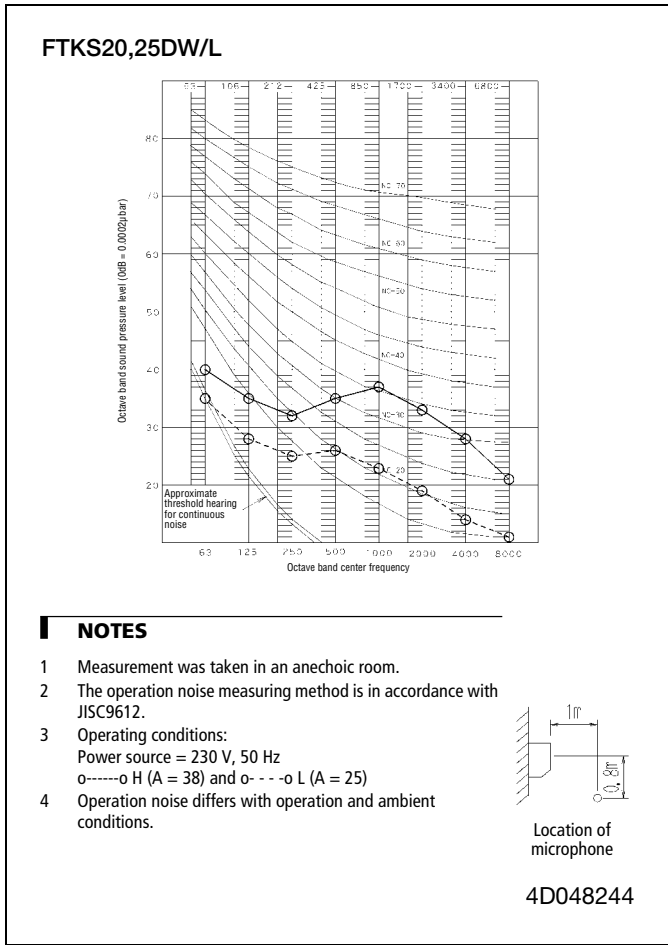


⊕	: Protective earth
FG	: Frame ground
F1U	: Fuse
H1P~H3P	: Pilot lamp
M1F	: Fan motor
M1S	: Swing motor
PCB1~PCB4	: Printed circuit board
R1T,R2T	: Thermistor
S1~S38, X41A	: Connector
S1W	: Operation switch
X1M	: Terminal strip

3D051652

6 Sound data

6 - 1 Sound pressure spectrum



6 Sound data

6 - 1 Sound pressure spectrum

Split - Sky Air

The present publication is drawn up by way of information only and does not constitute an offer binding upon Daikin Europe N.V.. Daikin Europe N.V. has compiled the content of this publication to the best of its knowledge. No express or implied warranty is given for the completeness, accuracy, reliability or fitness for particular purpose of its content and the products and services presented therein. Specifications are subject to change without prior notice. Daikin Europe N.V. explicitly rejects any liability for any direct or indirect damage, in the broadest sense, arising from or related to the use and/or interpretation of this publication. All content is copyrighted by Daikin Europe N.V..



ISO14001 assures an effective environmental management system in order to help protect human health and the environment from the potential impact of our activities, products and services and to assist in maintaining and improving the quality of the environment.



Daikin units comply with the European regulations that guarantee the safety of the product.



Daikin Europe N.V. is approved by LRQA for its Quality Management System in accordance with the ISO9001 standard. ISO9001 pertains to quality assurance regarding design, development, manufacturing as well as to services related to the product.



Daikin Europe N.V. is participating in the EUROVENT Certification Programme. Products are as listed in the EUROVENT Directory of Certified Products.

DAIKIN EUROPE N.V.

Zandvoordestraat 300
B-8400 Ostend - Belgium
www.daikineurope.com

