



Air Conditioners

Technical Data

Flexi type unit



EEDEN12-100

FLXS-B

TABLE OF CONTENTS

FLXS-B

1	Features	2
2	Specifications	3
	Technical Specifications	3
	Electrical Specifications	4
3	Options	5
	Options	5
4	Dimensional drawings	6
	Dimensional Drawings Ceiling Mounted Installation	6
	Dimensional Drawings Floor Mounted Installation	7
5	Centre of gravity	8
	Centre of Gravity	8
6	Piping diagrams	9
	Piping Diagrams	9
7	Wiring diagrams	10
	Wiring Diagrams - Single Phase	10
8	Sound data	11
	Sound Pressure Spectrum - Cooling	11
	Sound Pressure Spectrum - Heating	12

1 Features

- Can fit on either ceiling or lower wall; its low height enables the unit to fit beneath a window
- Whisper quiet operation: down to 28dBA sound pressure level
- Vertical auto swing moves the discharge flaps up and down for efficient air and temperature distribution throughout the room
- Home leave operation maintains the indoor temperature at your specified comfort level during absence, thus saving energy
- Night set mode saves energy by preventing overcooling or overheating during night time

1



2 Specifications

2-1 Technical Specifications				FLXS25B	FLXS35B	FLXS50B	FLXS60B	
Power input - 50Hz	Cooling	Nom.	kW	0.070	0.078	0.096	0.098	
	Heating	Nom.	kW	0.074	0.078	0.096		
Casing	Colour			Almond white				
Dimensions	Unit	Height/Width/Depth	mm	490/1,050/200				
	Packed unit	Height/Width/Depth	mm	566/1,100/280				
Weight	Unit		kg	16		17		
	Packed unit		kg	22		24		
Heat exchanger	Length		mm	840				
	Rows	Quantity		2		3		
	Fin pitch		mm	1.75		1.5		
	Stages	Quantity		8		10		
	Tube type			ø7 Hi-XA				
	Fin	Type		ML fin (Multi louver)				
Fan	Type			Sirocco fan				
	Quantity			1				
	Air flow rate	Cooling	High	m ³ /min	7.6	8.6	11.4	12.0
			Nom.	m ³ /min	6.8	7.6	10.0	10.7
			Low	m ³ /min	6.0	6.6	8.5	9.3
			Silent operation	m ³ /min	5.2	5.6	7.5	8.3
	Heating	High	m ³ /min	9.2	9.8	12.1	12.8	
		Nom.	m ³ /min	8.3	8.9	9.8	10.6	
		Low	m ³ /min	7.4	8.0	7.5	8.4	
Silent operation		m ³ /min	6.6	7.2	6.8	7.5		
Fan motor	Quantity			1				
	Model			KFP-220-34-4A				
	Speed	Steps		5 + silent, + auto				
		Cooling	High/Medium/Low/Silent operation	rpm	820/740/660/580	920/820/720/620	1,380/1,240/1,100/1,000	
	Heating	High/Medium/Low/Silent operation	rpm	880/790/700/620	940/850/760/680	1,320/1,130/940/860		
Output	High		W	34				
Sound power level	Cooling	High	dBA	53	54	63	64	
	Heating	High	dBA	53	55	62	63	
Sound pressure level	Cooling	High/Nom./Low/Silent operation	dBA	37/34/31/28	38/35/32/29	47/43/39/36	48/45/41/39	
	Heating	Super high/High/Nom./Low/Silent operation	dBA	-/37/34/31/29	-/39/36/33/30	-/46/41/35/33	-/47/42/37/34	
Refrigerant	Type			R-410A				
Piping connections	Liquid	OD		6.35				
	Gas	OD		9.52		12.7		
	Drain			18				
	Heat insulation			Both liquid and gas pipes				
Temperature control				Microcomputer control				
Air direction control				Left, right, up and downwards				
Air filter	Type			Removable / washable / mildew proof				

Standard Accessories : Photocatalytic deodorizing filter; Quantity : 1;

Standard Accessories : Binding band; Quantity : 4;

Standard Accessories : Side cover; Quantity : 2;

Standard Accessories : Mounting plate; Quantity : 1;

Standard Accessories : Heat insulation tube (refrigerant pipe); Quantity : 1;

Standard Accessories : Air purification filter; Quantity : 1;

Standard Accessories : Remote control holder; Quantity : 1;

Standard Accessories : Batteries; Quantity : 2;

Standard Accessories : Infrared remote control; Quantity : 1;

Standard Accessories : Installation and operation manual; Quantity : 1;

Standard Accessories : Extension auxiliary pipe; Quantity : 2;

2 Specifications

2-2 Electrical Specifications				FLXS25B	FLXS35B	FLXS50B	FLXS60B
Power supply	Name			VM			
	Phase			1~			
	Frequency	Hz		50/60			
	Voltage	V		220-240/220-230			
Voltage range	Min.	%		-10			
	Max.	%		10			
Current	Nominal running current (RLA) - 50Hz	Cooling	A	0.33 (1) / 0.32 (2) / 0.31 (3)	0.38 (1) / 0.36 (2) / 0.35 (3)	0.48 (1) / 0.45 (2) / 0.43 (3)	0.47 (2)
		Heating	A	0.36 (1) / 0.34 (2) / 0.33 (3)	0.38 (1) / 0.36 (2) / 0.35 (3)	0.47 (1) / 0.45 (2) / 0.44 (3)	0.45 (2)
Current - 60Hz	Nominal running current		A	-			
Wiring connections - 50Hz	For power supply	Quantity		3			
		Remark		4 for interunit wiring (earth wire included)			
Power supply intake				Outdoor unit only			

Notes

(1) 220V

(2) 230V

(3) 240V

(4) Sound values are measured in an anechoic room.

(5) Sound pressure level is a relative value, depending on the distance and acoustic environment. For more details, please refer to the sound level drawings.

(6) The sound power level is an absolute value indicating the power which a sound source generates.

3 Options

3 - 1 Options

FLK/XS-B		25	35	50	60
Wiring adapter for time clock / remote control (1)	Normal open contact	KRP413A1S			
	Normal open pulse contact	KRP413A1S			
Centralised control board	1 up to 5 rooms (2)	KRC72			
Central remote control		DCS302C51			
Unified ON/OFF control		DCS301B51			
Schedule timer		DST301B51			
Interface adapter (3)		KRP928A2S			
Photocatalytic deodorising filter, with frame		KAZ917A41			
Photocatalytic deodorising filter, without frame		KAZ917A42			
Air purification filter with frame		KAF925B41			
Air purification filter without frame		KAF925B42			
Anti-theft protection for remote control		KKF917A4			

(1) Wiring adapter is also required for each indoor unit.
 (2) Wiring adapter supplied by Daikin. Time clock and other devices: field supply.
 (3) For DIII-NET adapter

4 Dimensional drawings

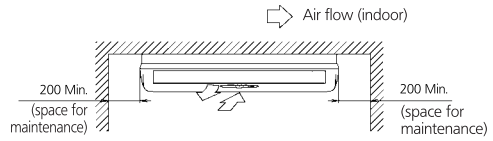
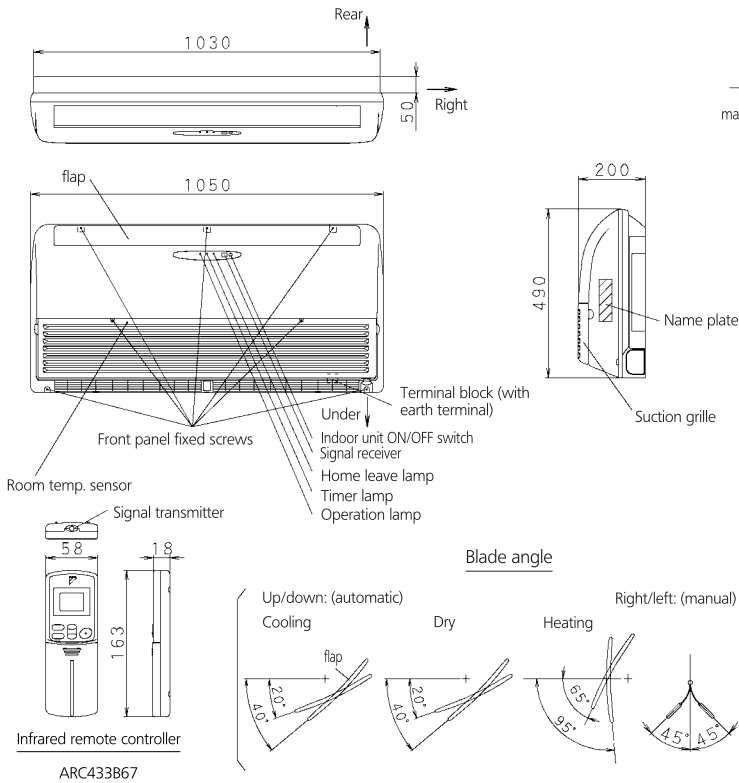
4 - 1 Dimensional Drawings Ceiling Mounted Installation

FLXS25-35B

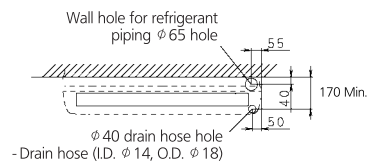
Ceiling suspended installation

The mark (→) shows piping direction

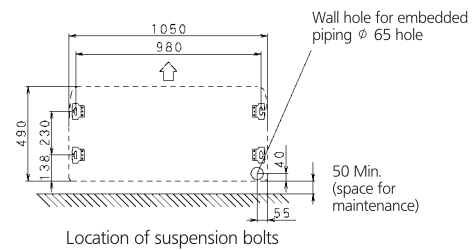
Required space (Ceiling suspended)
(for performance and maintenance)



- Liquid pipe (6.4CuT)
- Gas pipe (φ 9.5 CuT)



Standard locations of wall holes



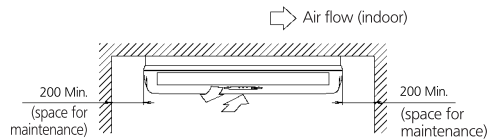
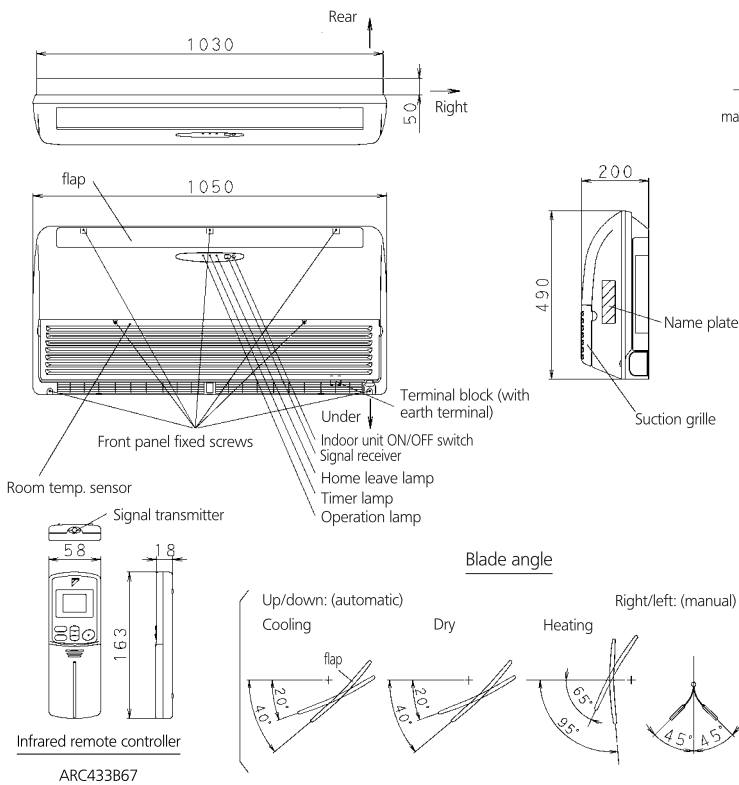
3D033694F

FLXS50-60B

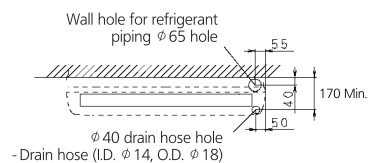
Ceiling suspended installation

The mark (→) shows piping direction

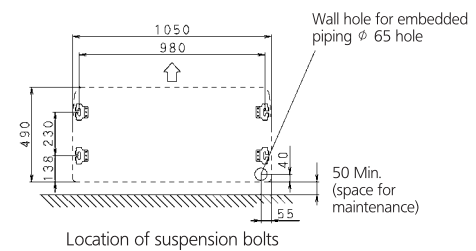
Required space (Ceiling suspended)
(for performance and maintenance)



- Liquid pipe (φ 6.4CuT)
- Gas pipe (φ 12.7 CuT)



Standard locations of wall holes



3D050610B

4 Dimensional drawings

4 - 2 Dimensional Drawings Floor Mounted Installation

FLXS25-35B
Floor level installation
 The mark (→) shows piping direction

Required space (for performance and maintenance)

↻ Air flow (indoor)

200 Min. (space for maintenance)

200 Min. (space for maintenance)

50 Min. (space for maintenance)

- Liquid pipe (φ 6.4 CuT)
- Gas pipe (φ 9.5 CuT)
- Drain hose (I.D. φ 14, O.D. φ 18)

Wall hole for refrigerant piping φ 80 hole

55

40

1050

800

490

255.5

162

55

40

50 Min. (space for maintenance)

Standard locations of wall holes

Terminal block (with earth terminal)

Under

Indoor unit ON/OFF switch

Signal receiver

Home leave lamp

Timer lamp

Operation lamp

Room temp. sensor

Signal transmitter

58

1.8

1.63

Infrared remote controller

ARC433B67

Blade angle

Up/down: (automatic)

Cooling

Dry

40°

20°

40°

20°

Heating

95°

65°

Right/left: (manual)

45°

45°

flap

1030

50

Right

Rear

flap

1050

200

490

Name plate

Suction grille

3D033695G

FLXS50-60B
Floor level installation
 The mark (→) shows piping direction

Required space (for performance and maintenance)

↻ Air flow (indoor)

200 Min. (space for maintenance)

200 Min. (space for maintenance)

50 Min. (space for maintenance)

- Liquid pipe (φ 6.4 CuT)
- Gas pipe (φ 12.7 CuT)
- Drain hose (I.D. φ 14, O.D. φ 18)

Wall hole for refrigerant piping φ 80 hole

55

40

1050

800

490

255.5

162

55

40

50 Min. (space for maintenance)

Standard locations of wall holes

Terminal block (with earth terminal)

Under

Indoor unit ON/OFF switch

Signal receiver

Home leave lamp

Timer lamp

Operation lamp

Room temp. sensor

Signal transmitter

58

1.8

1.63

Infrared remote controller

ARC433B67

Blade angle

Up/down: (automatic)

Cooling

Dry

40°

20°

40°

20°

Heating

95°

65°

Right/left: (manual)

45°

45°

flap

1030

50

Right

Rear

flap

1050

200

490

Name plate

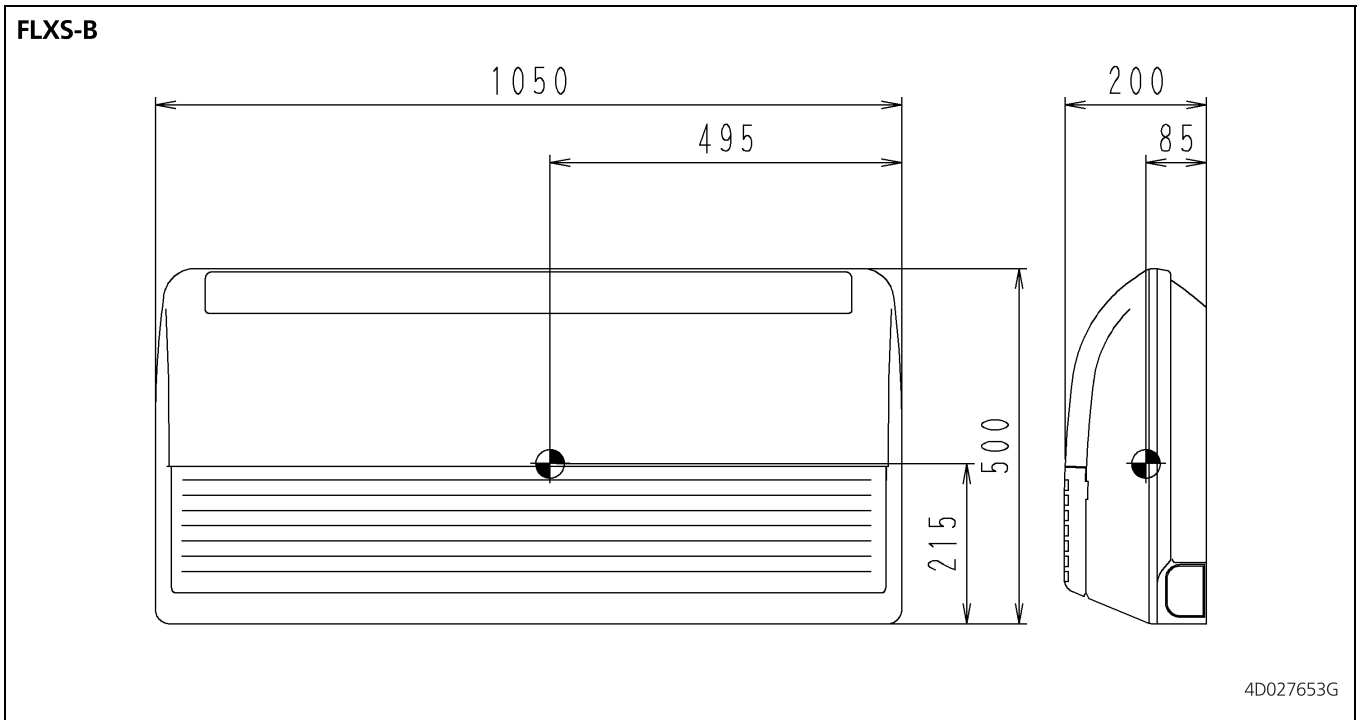
Suction grille

3D050615B

5 Centre of gravity

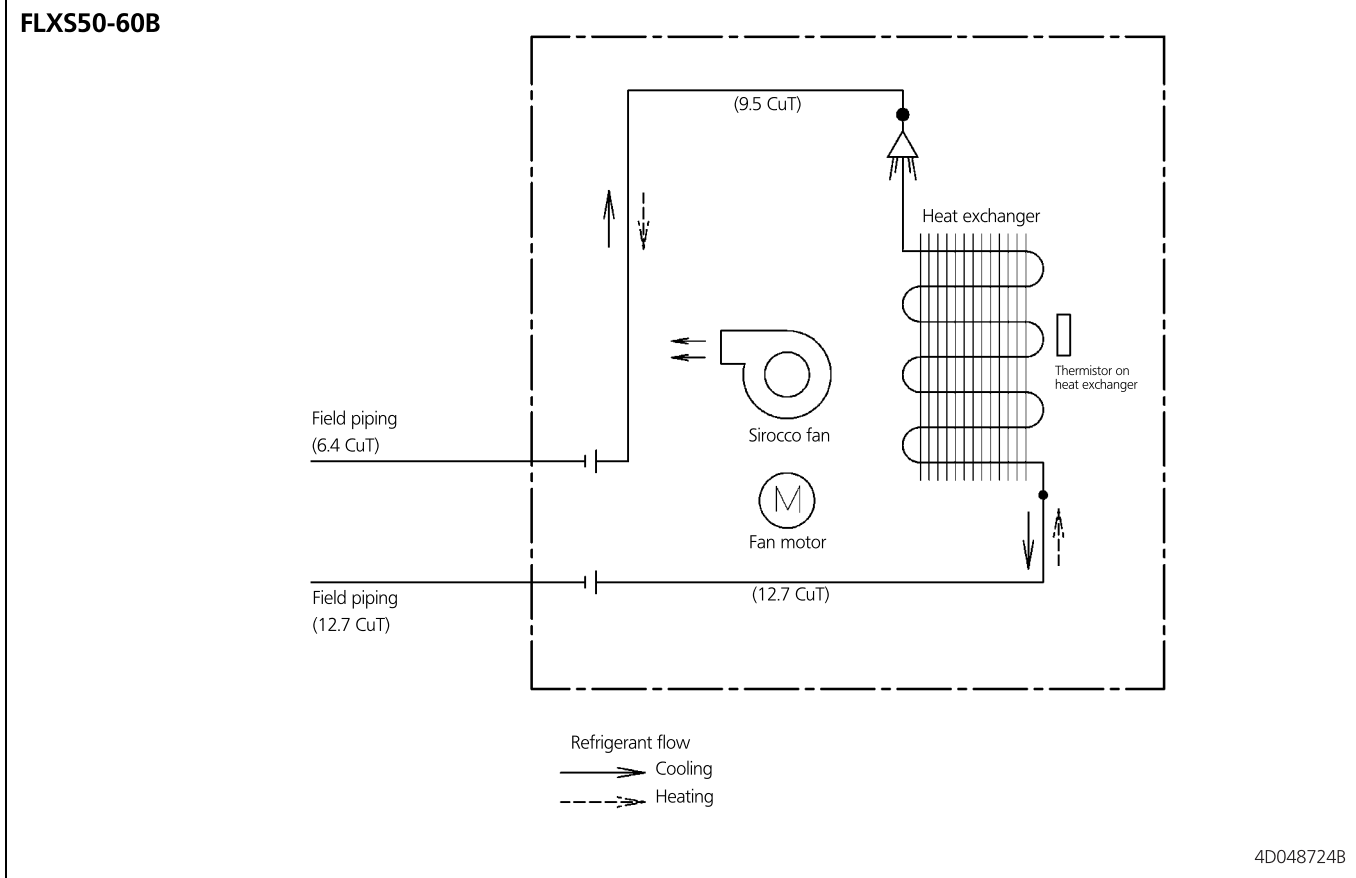
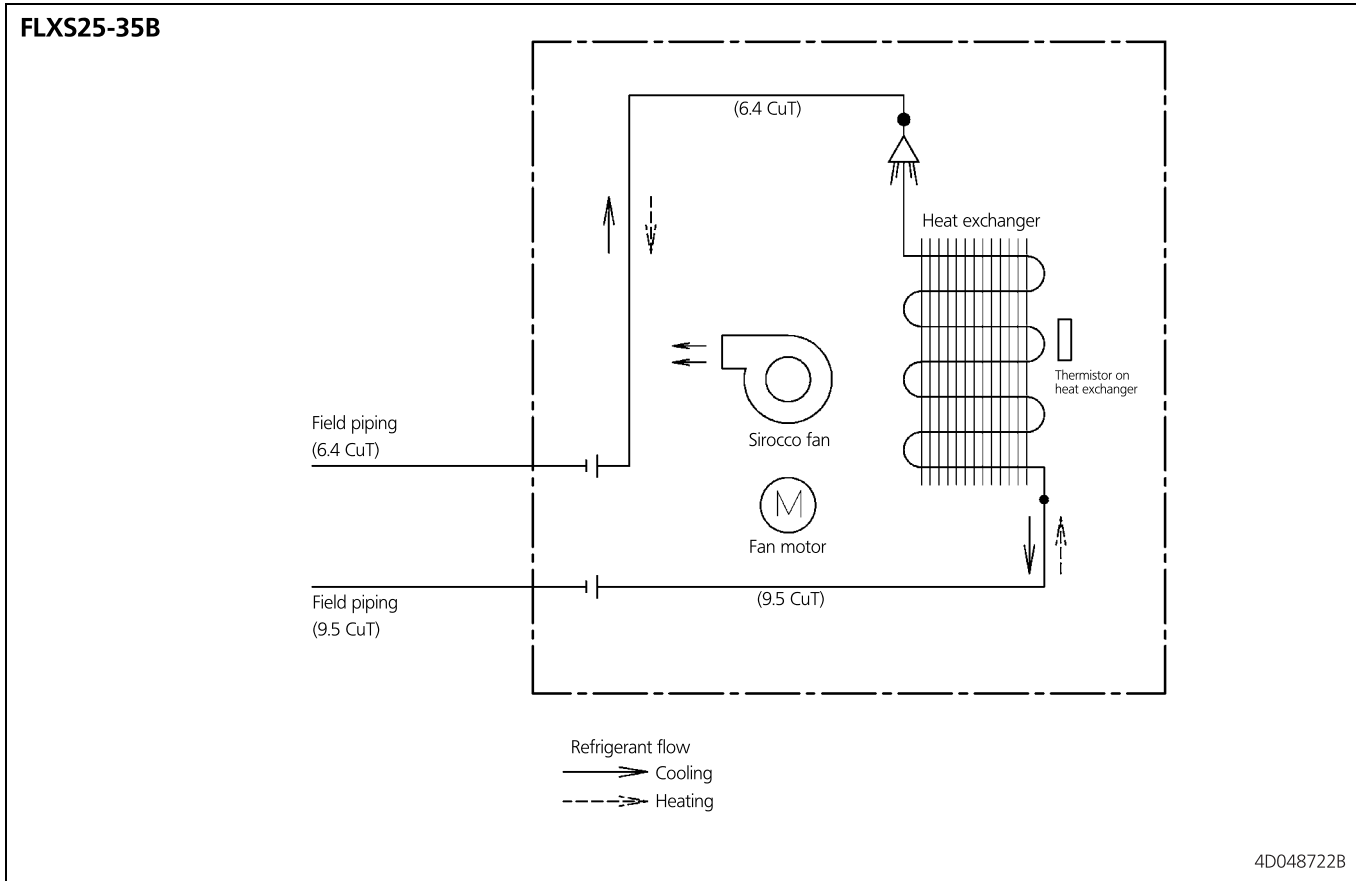
5 - 1 Centre of Gravity

5



6 Piping diagrams

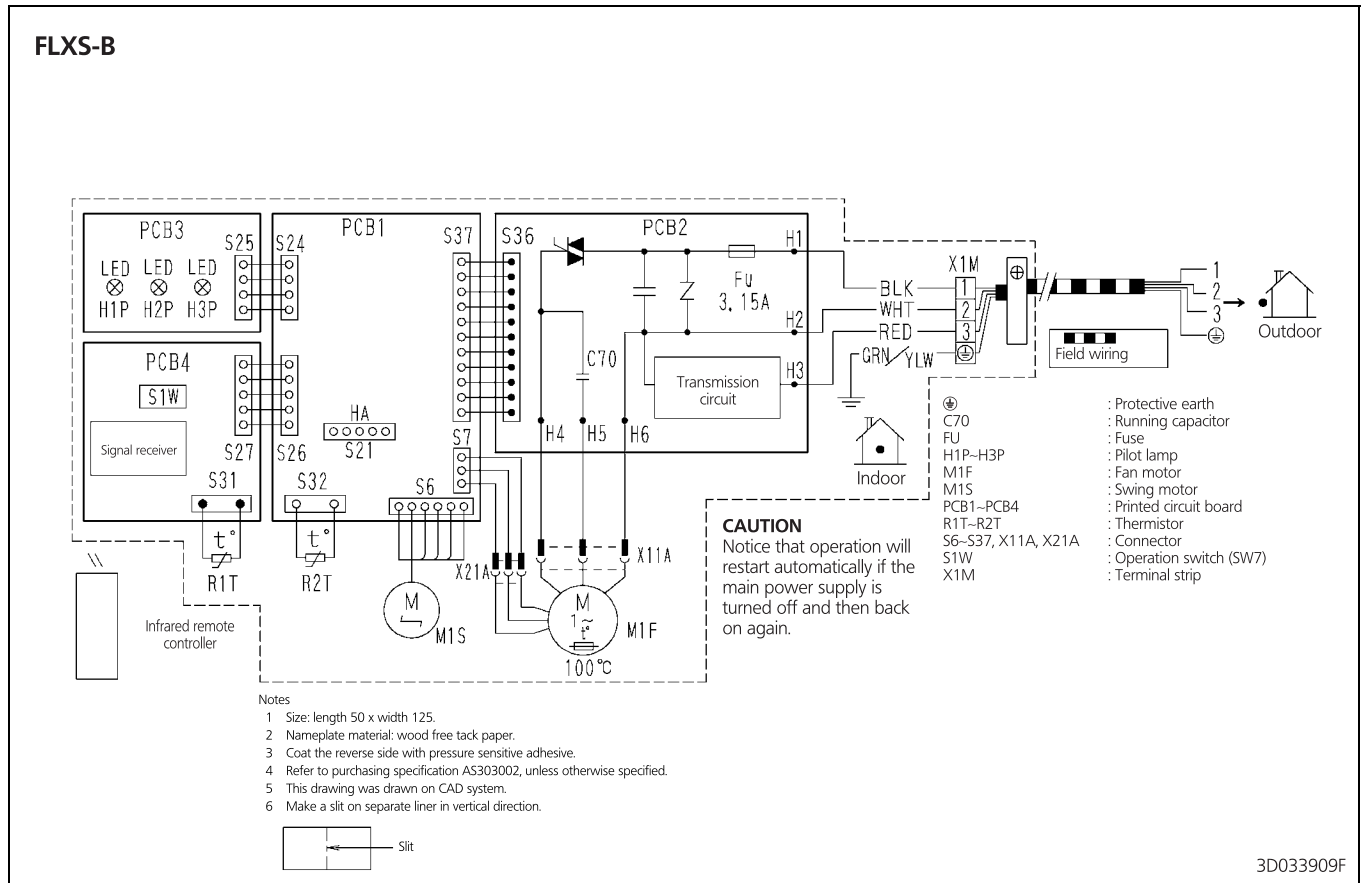
6 - 1 Piping Diagrams



7 Wiring diagrams

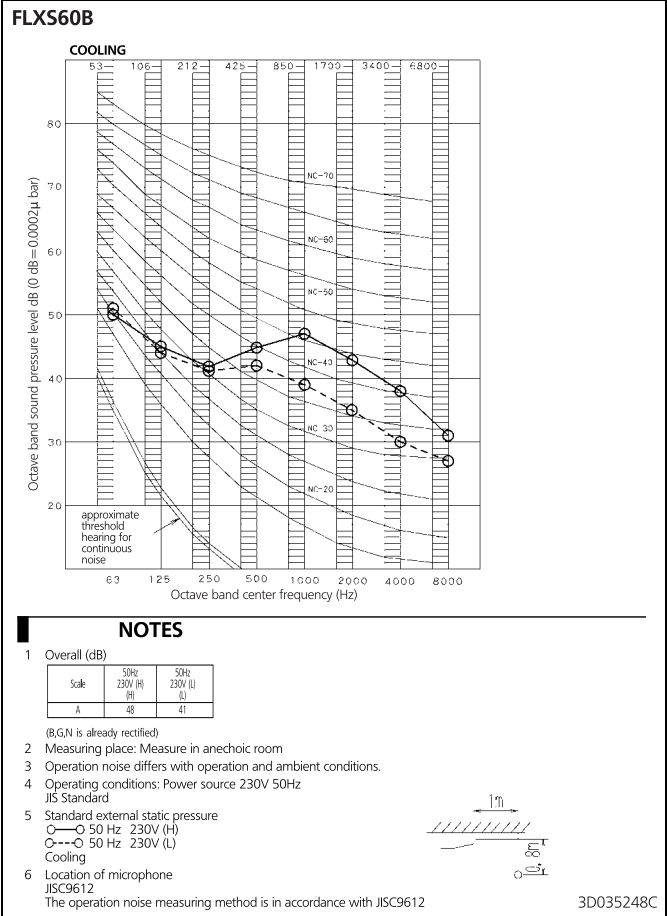
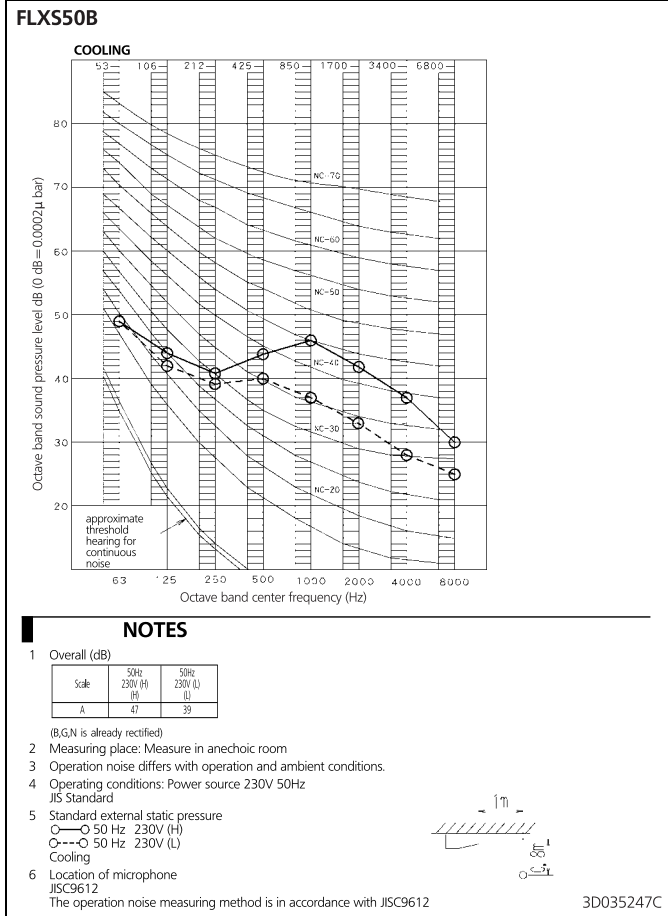
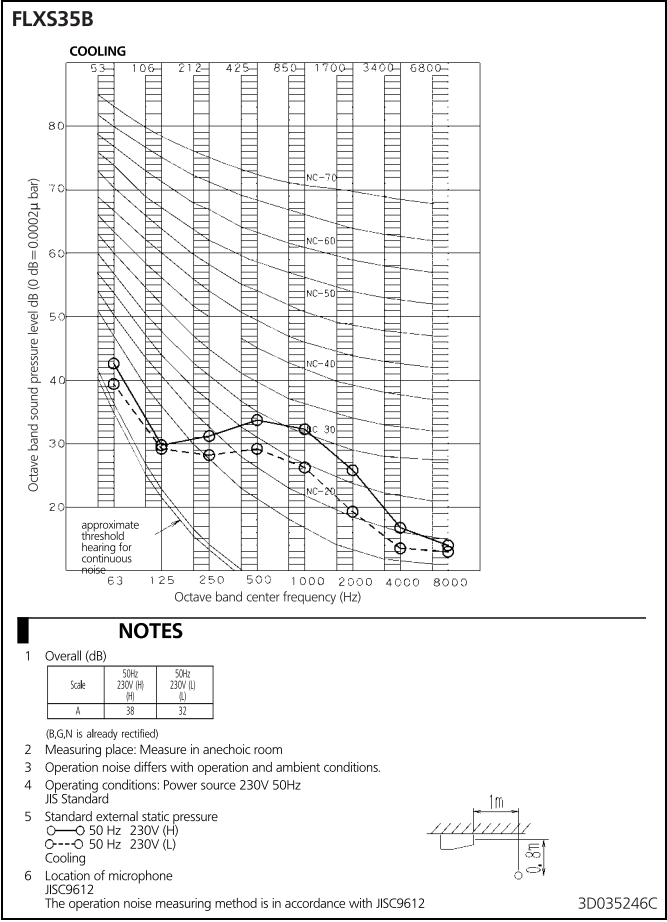
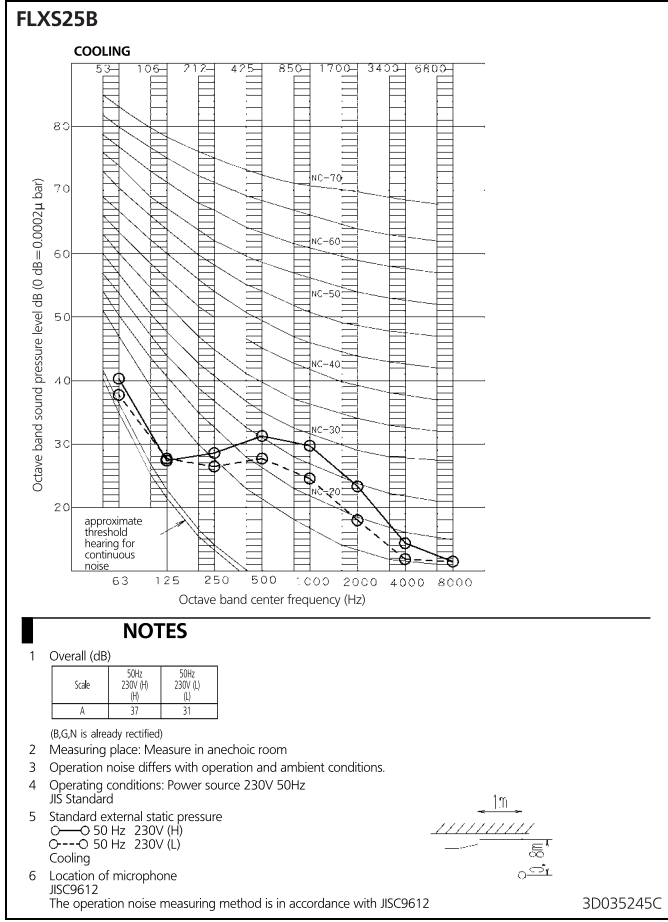
7 - 1 Wiring Diagrams - Single Phase

7



8 Sound data

8 - 1 Sound Pressure Spectrum - Cooling

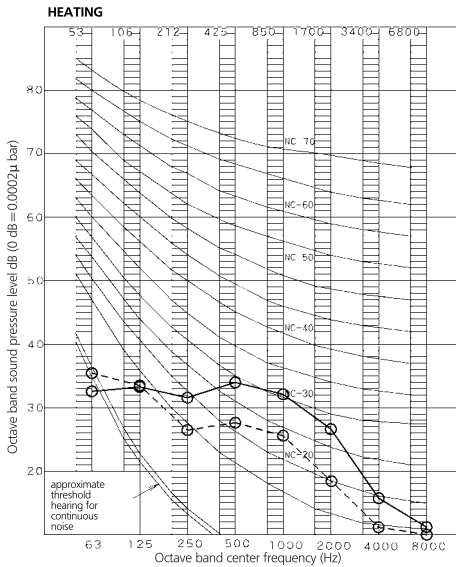


8 Sound data

8 - 2 Sound Pressure Spectrum - Heating

8

FLXS25B

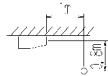


NOTES

1 Overall (dB)

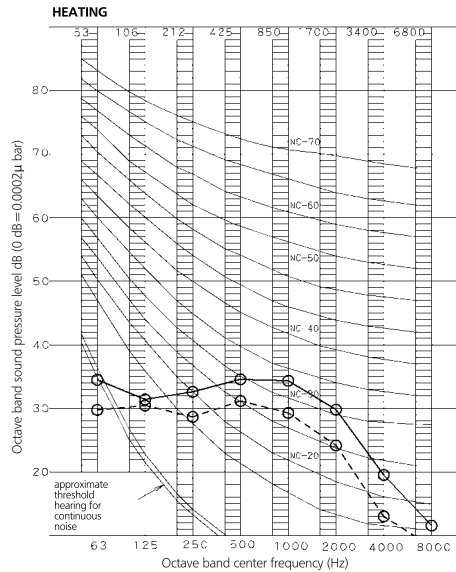
Scale	50Hz 230V (H) (H)	50Hz 230V (L) (L)
A	37	31

- (B,G,N is already rectified)
- 2 Measuring place: Measure in anechoic room
- 3 Operation noise differs with operation and ambient conditions.
- 4 Operating conditions: Power source 230V 50Hz
JIS Standard
- 5 Standard external static pressure
○—○ 50 Hz 230V (H)
○---○ 50 Hz 230V (L)
Heating
- 6 Location of microphone
JISC9612
The operation noise measuring method is in accordance with JISC9612



3D035245C

FLXS35B

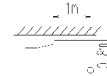


NOTES

1 Overall (dB)

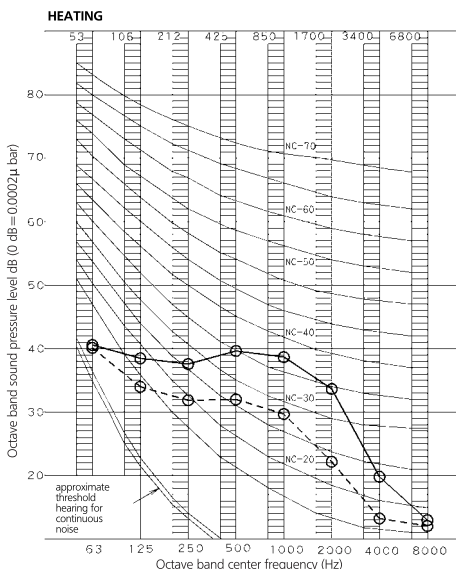
Scale	50Hz 230V (H) (H)	50Hz 230V (L) (L)
A	39	33

- (B,G,N is already rectified)
- 2 Measuring place: Measure in anechoic room
- 3 Operation noise differs with operation and ambient conditions.
- 4 Operating conditions: Power source 230V 50Hz
JIS Standard
- 5 Standard external static pressure
○—○ 50 Hz 230V (H)
○---○ 50 Hz 230V (L)
Heating
- 6 Location of microphone
JISC9612
The operation noise measuring method is in accordance with JISC9612



3D035246C

FLXS50B

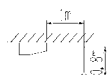


NOTES

1 Overall (dB)

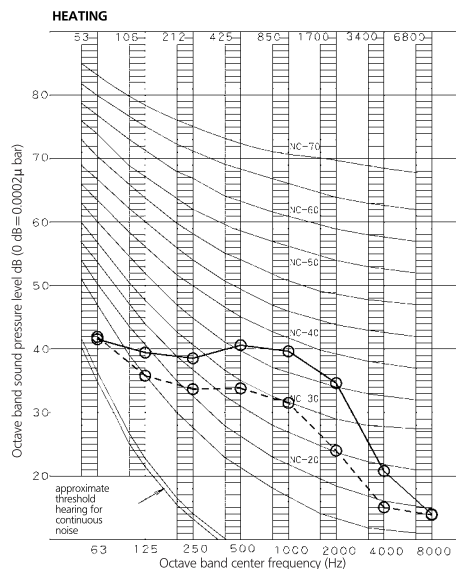
Scale	50Hz 230V (H) (H)	50Hz 230V (L) (L)
A	46	35

- (B,G,N is already rectified)
- 2 Measuring place: Measure in anechoic room
- 3 Operation noise differs with operation and ambient conditions.
- 4 Operating conditions: Power source 230V 50Hz
JIS Standard
- 5 Standard external static pressure
○—○ 50 Hz 230V (H)
○---○ 50 Hz 230V (L)
Heating
- 6 Location of microphone
JISC9612
The operation noise measuring method is in accordance with JISC9612



3D035247C

FLXS60B

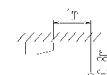


NOTES

1 Overall (dB)

Scale	50Hz 230V (H) (H)	50Hz 230V (L) (L)
A	47	37

- (B,G,N is already rectified)
- 2 Measuring place: Measure in anechoic room
- 3 Operation noise differs with operation and ambient conditions.
- 4 Operating conditions: Power source 230V 50Hz
JIS Standard
- 5 Standard external static pressure
○—○ 50 Hz 230V (H)
○---○ 50 Hz 230V (L)
Heating
- 6 Location of microphone
JISC9612
The operation noise measuring method is in accordance with JISC9612



3D035248C

In all of us,
a green heart



Daikin's unique position as a manufacturer of air conditioning equipment, compressors and refrigerants has led to its close involvement in environmental issues. For several years Daikin has had the intention to become a leader in the provision of products that have limited impact on the environment. This challenge demands the eco design and development of a wide range of products and an energy management system, resulting in energy conservation and a reduction of waste.



Daikin Europe N.V. participates in the Eurovent Certification programme for Air conditioners (AC), Liquid Chilling Packages (LCP), Air handling units (AHU) and Fan coil units (FCU). Check ongoing validity of certificate online: www.eurovent-certification.com or using: www.certiflash.com

The present leaflet is drawn up by way of information only and does not constitute an offer binding upon Daikin Europe N.V. Daikin Europe N.V. has compiled the content of this leaflet to the best of its knowledge. No express or implied warranty is given for the completeness, accuracy, reliability or fitness for particular purpose of its content and the products and services presented therein. Specifications are subject to change without prior notice. Daikin Europe N.V. explicitly rejects any liability for any direct or indirect damage, in the broadest sense, arising from or related to the use and/or interpretation of this leaflet. All content is copyrighted by Daikin Europe N.V.



EEDEN12-100

Daikin products are distributed by:

