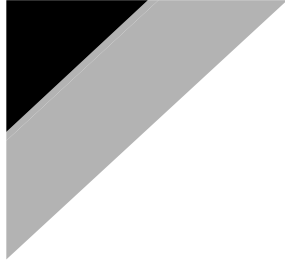


**DAIKIN**



# TECHNICAL DATA

## Split-Sky Air

**FH(Y)B-GZ7/FHYBP-B7**

**Concealed Ceiling Unit**



# Split Sky Air



ISO14001 assures an effective environmental management system in order to help protect human health and the environment from the potential impact of our activities, products and services and to assist in maintaining and improving the quality of the environment



Daikin units comply with the European regulations that guarantee the safety of the product.



Daikin Europe NV is approved by LRQA for its Quality Management System in accordance with the ISO9001 standard. ISO9001 pertains to quality assurance regarding design, development, manufacturing as well as to services related to the product.



Daikin Europe NV is participating in the EUROVENT Certification Programme. Products are as listed in the EUROVENT Directory of Certified Products.

Specifications are subject to change without prior notice

**DAIKIN PRODUCTS ARE DISTRIBUTED BY :**



**DAIKIN EUROPE NV** Zandvoordestraat 300, B-8400 Oostende

Internet <http://www.daikin.be>



# TABLE OF CONTENTS

## FH(Y)B-GZ7/FHYBP-B7

|    |                                                    |    |
|----|----------------------------------------------------|----|
| 1  | Features .....                                     | 2  |
| 2  | Specifications .....                               | 3  |
|    | Nominal capacity, capacity steps and nominal input |    |
|    | Technical specifications                           |    |
|    | Electrical specifications                          |    |
| 3  | Dimensional drawings .....                         | 8  |
| 4  | Piping diagrams .....                              | 11 |
| 5  | Wiring diagrams .....                              | 12 |
| 6  | Sound level .....                                  | 14 |
|    | Sound level data                                   |    |
|    | Sound pressure spectrum                            |    |
| 7  | Fan characteristics .....                          | 16 |
| 8  | Accessories .....                                  | 17 |
|    | Standard accessories                               |    |
|    | Optional accessories                               |    |
| 9  | Control systems .....                              | 18 |
| 10 | Centre of gravity .....                            | 19 |
| 11 | Safety device settings .....                       | 19 |
| 12 | Installation .....                                 | 20 |

\* For capacity tables, please refer to the outdoor units concerned





# 1 Features

- Lightweight and compact
- Blends unobtrusively with any interior decor
- Extremely quiet in operation both indoors and outdoors
- The position of the individual air discharge grilles can be altered, enabling a uniform temperature, even in irregularly shaped rooms
- For equal distribution in larger rooms, up to 4 indoor units can be connected to 1 outdoor. They are operated from 1 remote control.
- Up to 5 indoor units can be connected to 1 Multi outdoor unit. All indoor units are individually controllable with remote control and do not need to be installed in the same room.
- The (wired) remote control has a programmable timer
- Centralised control of several units can be achieved via 3 wired controls
  - centralised remote control
  - unified ON/OFF control
  - Schedule timer

1



|                                                                                     |                                                                                     |                                                                                     |                                                                                     |                                                                                     |                                                                                      |                                                                                       |                                                                                       |
|-------------------------------------------------------------------------------------|-------------------------------------------------------------------------------------|-------------------------------------------------------------------------------------|-------------------------------------------------------------------------------------|-------------------------------------------------------------------------------------|--------------------------------------------------------------------------------------|---------------------------------------------------------------------------------------|---------------------------------------------------------------------------------------|
|  |  |  |  |  |  |  |  |
| Optional                                                                            | Optional                                                                            |                                                                                     |                                                                                     |                                                                                     | Heat pump                                                                            | 2 steps                                                                               |                                                                                       |
|  |  |  |  |  |  |  |                                                                                       |
|                                                                                     |                                                                                     |                                                                                     |                                                                                     | FHYB35-71<br>FHYBP35-125                                                            | Cooling only                                                                         |                                                                                       |                                                                                       |

2

## 2 Specifications



| NOMINAL CAPACITY and NOMINAL INPUT |         |    |            |            |             |              |              |
|------------------------------------|---------|----|------------|------------|-------------|--------------|--------------|
| For indoor units only:             |         |    |            |            |             |              |              |
| INDOOR UNITS                       |         |    | FHB35GZ7V1 | FHB45GZ7V1 | FHYBP71B7V1 | FHYBP100B7V1 | FHYBP125B7V1 |
| NOMINAL INPUT                      | Cooling | kW | -          | -          | -           | -            | -            |

| For combination indoor units + outdoor units: |             |    |            |               |                |                 |              |
|-----------------------------------------------|-------------|----|------------|---------------|----------------|-----------------|--------------|
| INDOOR UNITS                                  |             |    | FHB35GZ7V1 | FHB45GZ7V1    | FHYBP71B7V1    | FHYBP100B7V1    | FHYBP125B7V1 |
| OUTDOOR UNITS                                 |             |    | R35GZ7V11  | R45GZ7V11/W11 | RP71B7V1/W1/T1 | RP100B7V1/W1/T1 | RP125B7V1/T1 |
| NOMINAL CAPACITY                              | Cooling (1) | kW | 3.70       | 4.90          | 7.1            | 10.0            | 12.2         |
| NOMINAL INPUT                                 | Cooling (2) | kW | 1.40       | 2.23/2.13     | 2.74/2.70/2.70 | 3.72/3.55/3.55  | 4.58/4.58    |

| TECHNICAL SPECIFICATIONS |                                 |                                                                                         |                     |               |                     |               |               |       |
|--------------------------|---------------------------------|-----------------------------------------------------------------------------------------|---------------------|---------------|---------------------|---------------|---------------|-------|
| For indoor units only:   |                                 |                                                                                         |                     |               |                     |               |               |       |
| INDOOR UNITS             |                                 |                                                                                         | FHB35GZ7V1          | FHB45GZ7V1    | FHYBP71B7V1         | FHYBP100B7V1  | FHYBP125B7V1  |       |
| DIMENSIONS               | Unit                            | H                                                                                       | mm                  | 300           | 300                 | 300           | 300           | 300   |
|                          |                                 | W                                                                                       | mm                  | 700           | 700                 | 1,000         | 1,400         | 1,400 |
|                          |                                 | D                                                                                       | mm                  | 800           | 800                 | 800           | 800           | 800   |
|                          | Decoration panel                | H                                                                                       | mm                  | 55            | 55                  | 55            | 55            | 55    |
|                          |                                 | W                                                                                       | mm                  | 880           | 880                 | 1,100         | 1,500         | 1,500 |
|                          |                                 | D                                                                                       | mm                  | 500           | 500                 | 500           | 500           | 500   |
| WEIGHT                   | Unit                            | kg                                                                                      | 30                  | 31            | 41                  | 51            | 52            |       |
|                          | Decoration panel                | kg                                                                                      | 3.5                 | 3.5           | 4.5                 | 6.5           | 6.5           |       |
| MATERIAL                 | Unit                            | Galvanised steel plate                                                                  |                     |               |                     |               |               |       |
|                          | Decoration panel                |                                                                                         | -                   | -             | -                   | -             | -             |       |
| COLOUR                   | Unit                            |                                                                                         | -                   | -             | -                   | -             | -             |       |
|                          | Decoration panel                |                                                                                         | White               |               |                     |               |               |       |
| SOUND LEVEL              | Sound pressure (3)              | high                                                                                    | dBA                 | 33            | 33                  | 34            | 36            | 38    |
|                          |                                 | low                                                                                     | dBA                 | 29            | 29                  | 30            | 31            | 32    |
|                          | Sound power (4)                 | high                                                                                    | dBA                 | 52            | 53                  | 60            | 62            | 63    |
|                          |                                 | low                                                                                     | dBA                 | 9             | 10                  | 14            | 20            | 24    |
| FAN                      | Air flow rate                   | high                                                                                    | m <sup>3</sup> /min | 11.5          | 14                  | 19            | 27            | 35    |
|                          |                                 | medium                                                                                  | m <sup>3</sup> /min | -             | -                   | -             | -             | -     |
|                          |                                 | low                                                                                     | m <sup>3</sup> /min | 9             | 10                  | 14            | 20            | 24    |
|                          | Speed                           | steps                                                                                   | 2 steps             |               |                     |               |               |       |
|                          |                                 | high                                                                                    | rpm                 | -             | -                   | -             | -             | -     |
|                          |                                 | low                                                                                     | rpm                 | -             | -                   | -             | -             | -     |
|                          | Type                            | Sirocco fan                                                                             |                     |               |                     |               |               |       |
|                          | Qty x model                     | -                                                                                       |                     |               |                     |               |               |       |
| Qty x motor output       | W                               | 1 x 65                                                                                  | 1 x 85              | 1 x 125       | 1 x 135             | 1 x 225       |               |       |
| Drive                    | Direct drive                    |                                                                                         |                     |               |                     |               |               |       |
| HEAT EXCHANGER           | Type                            | Fin rhombus type, φ7 Hi-XA tube                                                         |                     |               |                     |               |               |       |
|                          | Rows x stages x fin pitch       | mm                                                                                      | 3 x 14 x 1.75       | 3 x 14 x 1.75 | 3 x 14 x 1.75       | 3 x 14 x 1.75 | 3 x 14 x 1.75 |       |
|                          | Face area                       | m <sup>2</sup>                                                                          | 0.132               | 0.132         | 0.221               | 0.338         | 0.338         |       |
| AIR FILTER               | Resin net (with mold resistant) |                                                                                         |                     |               |                     |               |               |       |
| AIR DIRECTION CONTROL    | -                               |                                                                                         |                     |               |                     |               |               |       |
| TEMPERATURE CONTROL      | Computerised control            |                                                                                         |                     |               |                     |               |               |       |
| PIPING CONNECTIONS       | liquid                          | mm                                                                                      | φ6.35               | φ6.35         | φ9.52               | φ9.52         | φ9.52         |       |
|                          | gas                             | mm                                                                                      | φ12.70              | φ15.90        | φ15.90              | φ19.10        | φ19.10        |       |
|                          | drain                           | mm                                                                                      | I.D. φ25            | I.D. φ25      | I.D. φ25            | I.D. φ25      | I.D. φ25      |       |
|                          | drain                           | mm                                                                                      | O.D. φ32            | O.D. φ32      | O.D. φ32            | O.D. φ32      | O.D. φ32      |       |
| INSULATION MATERIAL      | Heat insulation                 | Both liquid and gas pipes                                                               |                     |               |                     |               |               |       |
|                          | Sound absorbing insulation      | Flame and heat resistant foamed polyethylene, regular foamed polyethylene and foamed PU |                     |               | Foamed polyurethane |               |               |       |

| For outdoor units |  | Pair application        | See chapter R-GZ7/RP-B7 |
|-------------------|--|-------------------------|-------------------------|
|                   |  | Multi model application | See chapter MA-GZ7      |

## 2 Specifications



| ELECTRICAL SPECIFICATIONS                     |                          |         |   |            |               |                |                 |                 |
|-----------------------------------------------|--------------------------|---------|---|------------|---------------|----------------|-----------------|-----------------|
| For indoor units only:                        |                          |         |   | FHB35GZ7V1 | FHB45GZ7V1    | FHYBP71B7V1    | FHYBP100B7V1    | FHYBP125B7V1    |
| CURRENT                                       | Nominal running current  | cooling | A | -          | -             | -              | -               | -               |
| For combination indoor units + outdoor units: |                          |         |   | FHB35GZ7V1 | FHB45GZ7V1    | FHYBP71B7V1    | FHYBP100B7V1    | FHYBP125B7V1    |
|                                               |                          |         |   | R35GZ7V11  | R45GZ7V11/W11 | RP71B7V1/W1/T1 | RP100B7V1/W1/T1 | RP125B7V1/W1/T1 |
| CURRENT                                       | Nominal running current  | cooling | A | 6,4        | 10,8/3,98     | -              | -               | -               |
|                                               | Maximum running current  | cooling | A | -          | -             | -              | -               | -               |
|                                               | Starting running current | cooling | A | 33.5       | 48/19         | -              | -               | -               |
| For indoor units only:                        |                          |         |   | FHB35GZ7V1 | FHB45GZ7V1    | FHYBP71B7V1    | FHYBP100B7V1    | FHYBP125B7V1    |
| POWER SUPPLY                                  |                          |         |   | V1         | V1            | V1             | V1              | V1              |
| NOMINAL DISTRIBUTION SYSTEM VOLTAGE           | Phase                    |         |   | 1~         | 1~            | 1~             | 1~              | 1~              |
|                                               | Frequency                | Hz      |   | 50         | 50            | 50             | 50              | 50              |
|                                               | Voltage                  | V       |   | 230        | 230           | 230            | 230             | 230             |

2

### NOTES

- Nominal cooling capacities are based on: indoor temperature: 27°CDB/19°CWB \* outdoor temperature: 35°CDB/24°CWB \* refrigerant piping length: 7.5m \* level difference 0m.
- Capacities are net, including a deduction for cooling for indoor fan motor heat.
- The sound pressure level is measured via a microphone at a certain distance from the unit. It is a relative value, depending on the distance and acoustic environment. For measuring conditions: please refer to item 6 of this chapter.
- The sound power level is an absolute value indicating the "power" which a sound source generates.



## 2 Specifications

| NOMINAL CAPACITY and NOMINAL INPUT |         |    |             |             |             |             |
|------------------------------------|---------|----|-------------|-------------|-------------|-------------|
| For indoor units only:             |         |    |             |             |             |             |
| INDOOR UNITS                       |         |    | FHYB35GZ7V1 | FHYB45GZ7V1 | FHYBP35B7V1 | FHYBP45B7V1 |
| NOMINAL INPUT                      | Cooling | kW | -           | -           | -           | -           |
|                                    | Heating | kW | -           | -           | -           | -           |

| For combination indoor units + outdoor units: |             |    |             |             |                                          |             |
|-----------------------------------------------|-------------|----|-------------|-------------|------------------------------------------|-------------|
| INDOOR UNITS                                  |             |    | FHYB35GZ7V1 | FHYB45GZ7V1 | FHYBP35B7V1                              | FHYBP45B7V1 |
| OUTDOOR UNITS                                 |             |    | RY35EAZ7V1  | RY45EAZ7V1  | -                                        | -           |
| NOMINAL CAPACITY (3)                          | Cooling (1) | kW | 3.6         | 4.90        | Twin/triple/double twin application only |             |
|                                               | Heating (2) | kW | 4.10        | 5.50        |                                          |             |
| NOMINAL INPUT                                 | Cooling     | kW | 1.64        | 2.09        |                                          |             |
|                                               | Heating     | kW | 1.46        | 1.97        |                                          |             |

| TECHNICAL SPECIFICATIONS |                                      |                                                                                         |                     |                     |               |                     |             |  |
|--------------------------|--------------------------------------|-----------------------------------------------------------------------------------------|---------------------|---------------------|---------------|---------------------|-------------|--|
| For indoor units only:   |                                      |                                                                                         |                     |                     |               |                     |             |  |
| INDOOR UNITS             |                                      |                                                                                         |                     | FHYB35GZ7V1         | FHYB45GZ7V1   | FHYBP35B7V1         | FHYBP45B7V1 |  |
| DIMENSIONS               | Unit                                 | H                                                                                       | mm                  | 300                 | 300           | 300                 | 300         |  |
|                          |                                      | W                                                                                       | mm                  | 700                 | 700           | 700                 | 700         |  |
|                          |                                      | D                                                                                       | mm                  | 800                 | 800           | 800                 | 800         |  |
|                          | Decoration panel                     | H                                                                                       | mm                  | 55                  | 55            | 55                  | 55          |  |
|                          |                                      | W                                                                                       | mm                  | 880                 | 880           | 880                 | 1.100       |  |
|                          |                                      | D                                                                                       | mm                  | 500                 | 500           | 500                 | 500         |  |
| WEIGHT                   | Unit                                 | kg                                                                                      | 30                  | 31                  | 30            | 31                  |             |  |
|                          | Decoration panel                     | kg                                                                                      | 3.5                 | 3.5                 | 3.5           | 3.5                 |             |  |
| MATERIAL                 | Unit                                 | Galvanised steel plate                                                                  |                     |                     |               |                     |             |  |
|                          | Decoration panel                     | -                                                                                       |                     |                     |               |                     |             |  |
| COLOUR                   | Unit                                 | -                                                                                       |                     |                     |               |                     |             |  |
|                          | Decoration panel                     | White                                                                                   |                     |                     |               |                     |             |  |
| SOUND LEVEL              | Sound pressure (cooling/heating) (4) | high                                                                                    | dBA                 | 33/33               | 33/33         | 33/33               | 33/33       |  |
|                          |                                      | low                                                                                     | dBA                 | 29/29               | 29/29         | 29/29               | 29/29       |  |
|                          | Sound power (cooling/heating) (5)    | high                                                                                    | dBA                 | 52/52               | 53/53         | 52/52               | 53/53       |  |
| FAN                      | Air flow rate (cooling/heating)      | high                                                                                    | m <sup>3</sup> /min | 11.5/11.5           | 14/14         | 11.5/11.5           | 14/14       |  |
|                          |                                      | medium                                                                                  | m <sup>3</sup> /min | -                   | -             | -                   | -           |  |
|                          |                                      | low                                                                                     | m <sup>3</sup> /min | 9/9                 | 10/10         | 9/9                 | 10/10       |  |
|                          | Speed (cooling/heating)              | steps                                                                                   |                     | 2 steps             |               |                     |             |  |
|                          |                                      | high                                                                                    | rpm                 | -                   | -             | -                   | -           |  |
|                          |                                      | low                                                                                     | rpm                 | -                   | -             | -                   | -           |  |
|                          | Type                                 | Sirocco fan                                                                             |                     |                     |               |                     |             |  |
|                          | Qty x model                          |                                                                                         |                     | -                   | -             | -                   | -           |  |
| Qty x motor output       | W                                    |                                                                                         | 1 x 65              | 1 x 85              | 1 x 65        | 1 x 85              |             |  |
| Drive                    | Direct drive                         |                                                                                         |                     |                     |               |                     |             |  |
| HEAT EXCHANGER           | Type                                 | Fin rhombus type, $\phi$ 7 Hi-XA tube                                                   |                     |                     |               |                     |             |  |
|                          | Rows x stages x fin pitch            | mm                                                                                      | 3 x 14 x 1.75       | 3 x 14 x 1.75       | 3 x 14 x 1.75 | 3 x 14 x 1.75       |             |  |
|                          | Face area                            | m <sup>2</sup>                                                                          | 0.132               | 0.132               | 0.132         | 0.132               |             |  |
| AIR FILTER               | Resin net (with mold resistant)      |                                                                                         |                     |                     |               |                     |             |  |
| AIR DIRECTION CONTROL    | -                                    |                                                                                         |                     |                     |               |                     |             |  |
| TEMPERATURE CONTROL      | Computerised control                 |                                                                                         |                     |                     |               |                     |             |  |
| PIPING CONNECTIONS       | liquid                               | mm                                                                                      | $\phi$ 6.35         | $\phi$ 6.35         | $\phi$ 6.35   | $\phi$ 6.35         |             |  |
|                          | gas                                  | mm                                                                                      | $\phi$ 12.70        | $\phi$ 15.90 x 0.95 | $\phi$ 12.70  | $\phi$ 15.90 x 0.95 |             |  |
|                          | Drain I.D.                           | mm                                                                                      | $\phi$ 25           | $\phi$ 25           | $\phi$ 25     | $\phi$ 25           |             |  |
|                          | Drain O.D.                           | mm                                                                                      | $\phi$ 32           | $\phi$ 32           | $\phi$ 32     | $\phi$ 32           |             |  |
| INSULATION MATERIAL      | Heat insulation                      | Both liquid and gas pipes                                                               |                     |                     |               |                     |             |  |
|                          | Sound absorbing insulation           | Flame and heat resistant foamed polyethylene, regular foamed polyethylene and foamed PU |                     |                     |               |                     |             |  |

|                          |                  |                            |
|--------------------------|------------------|----------------------------|
| <b>For outdoor units</b> | Pair application | See chapter RY-EAZ7/RYP-B7 |
|--------------------------|------------------|----------------------------|

2



## 2 Specifications

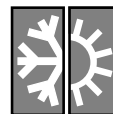
| NOMINAL CAPACITY and NOMINAL INPUT |         |    |             |             |              |              |
|------------------------------------|---------|----|-------------|-------------|--------------|--------------|
| For indoor units only:             |         |    |             |             |              |              |
| INDOOR UNITS                       |         |    | FHYBP60B7V1 | FHYBP71B7V1 | FHYBP100B7V1 | FHYBP125B7V1 |
| NOMINAL INPUT                      | Cooling | kW | -           | -           | -            | -            |
|                                    | Heating | kW | -           | -           | -            | -            |

| For combination indoor units + outdoor units: |             |    |                                          |              |               |              |
|-----------------------------------------------|-------------|----|------------------------------------------|--------------|---------------|--------------|
| INDOOR UNITS                                  |             |    | FHYBP60B7V1                              | FHYBP71B7V1  | FHYBP100B7V1  | FHYBP125B7V1 |
| OUTDOOR UNITS                                 |             |    | -                                        | RYP71B7V1/W1 | RYP100B7V1/W1 | RYP125B7W1   |
| NOMINAL CAPACITY (3)                          | Cooling (1) | kW | Twin/triple/double twin application only | 7.1          | 10            | 12.2         |
|                                               | Heating (2) | kW |                                          | 7.7          | 11.2          | 14.5         |
| NOMINAL INPUT                                 | Cooling     | kW |                                          | 2.74/2.70    | 3.72/3.55     | 4.58         |
|                                               | Heating     | kW |                                          | 2.44/2.40    | 3.94/3.77     | 4.38         |

| TECHNICAL SPECIFICATIONS |                                      |                                       |                     |             |                |              |                |  |
|--------------------------|--------------------------------------|---------------------------------------|---------------------|-------------|----------------|--------------|----------------|--|
| For indoor units only:   |                                      |                                       |                     |             |                |              |                |  |
| INDOOR UNITS             |                                      |                                       |                     | FHYBP60B7V1 | FHYBP71B7V1    | FHYBP100B7V1 | FHYBP125B7V1   |  |
| DIMENSIONS               | Unit                                 | H                                     | mm                  | 300         | 300            | 300          | 300            |  |
|                          |                                      | W                                     | mm                  | 1000        | 1000           | 1400         | 1400           |  |
|                          |                                      | D                                     | mm                  | 800         | 800            | 800          | 800            |  |
|                          | Decoration panel                     | H                                     | mm                  | 55          | 55             | 55           | 55             |  |
|                          |                                      | W                                     | mm                  | 1,100       | 1,100          | 1,500        | 1,500          |  |
|                          |                                      | D                                     | mm                  | 500         | 500            | 500          | 500            |  |
| WEIGHT                   | Unit                                 | kg                                    | 41                  | 41          | 51             | 52           |                |  |
|                          | Decoration panel                     | kg                                    | 4.5                 | 4.5         | 6.5            | 6.5          |                |  |
| MATERIAL                 | Unit                                 | Galvanised steel plate                |                     |             |                |              |                |  |
|                          | Decoration panel                     | -                                     |                     |             |                |              |                |  |
| COLOUR                   | Unit                                 | -                                     |                     |             |                |              |                |  |
|                          | Decoration panel                     | White                                 |                     |             |                |              |                |  |
| SOUND LEVEL              | Sound pressure (cooling/heating) (4) | high                                  | dBA                 | 34/34       | 34/34          | 36/36        | 38/38          |  |
|                          |                                      | low                                   | dBA                 | 30/30       | 30/30          | 31/31        | 32/32          |  |
|                          | Sound power (cooling/heating) (5)    | high                                  | dBA                 | 60/60       | 60/60          | 62/62        | 63/63          |  |
| FAN                      | Air flow rate (cooling/heating)      | high                                  | m <sup>3</sup> /min | 19/19       | 19/19          | 27/27        | 35/35          |  |
|                          |                                      | medium                                | m <sup>3</sup> /min | -           | -              | -            | -              |  |
|                          |                                      | low                                   | m <sup>3</sup> /min | 14/14       | 14/14          | 20/20        | 24/24          |  |
|                          | Speed (cooling/heating)              | steps                                 |                     | 2 steps     |                |              |                |  |
|                          |                                      | high                                  | rpm                 | -           | -              | -            | -              |  |
|                          |                                      | low                                   | rpm                 | -           | -              | -            | -              |  |
|                          | Type                                 | Sirocco fan                           |                     |             |                |              |                |  |
| Qty x model              | -                                    |                                       |                     |             |                |              |                |  |
| Qty x motor output       | W                                    | 1 x 125                               |                     | 1 x 125     |                | 1 x 135      |                |  |
| Drive                    | Direct drive                         |                                       |                     |             |                |              |                |  |
| HEAT EXCHANGER           | Type                                 | Fin rhombus type, $\phi$ 7 Hi-XA tube |                     |             |                |              |                |  |
|                          | Rows x stages x fin pitch            | mm                                    | 3 x 14 x 1.75       |             | 3 x 14 x 1.75  |              | 3 x 14 x 1.75  |  |
|                          | Face area                            | m <sup>2</sup>                        | 0.221               |             | 0.221          |              | 0.338          |  |
| AIR FILTER               | Resin net (with mold resistant)      |                                       |                     |             |                |              |                |  |
| AIR DIRECTION CONTROL    | -                                    |                                       |                     |             |                |              |                |  |
| TEMPERATURE CONTROL      | Computerised control                 |                                       |                     |             |                |              |                |  |
| PIPING CONNECTIONS       | liquid                               | mm                                    | $\phi$ 9.52         |             | $\phi$ 9.52    |              | $\phi$ 9.52    |  |
|                          |                                      | mm                                    | $\phi$ 15.90        |             | $\phi$ 15.90   |              | $\phi$ 19.10   |  |
|                          | gas                                  | mm                                    | I.D. $\phi$ 25      |             | I.D. $\phi$ 25 |              | I.D. $\phi$ 25 |  |
|                          |                                      | mm                                    | O.D. $\phi$ 32      |             | O.D. $\phi$ 32 |              | O.D. $\phi$ 32 |  |
| INSULATION MATERIAL      | Heat insulation                      | Both liquid and gas pipes             |                     |             |                |              |                |  |
|                          | Sound absorbing insulation           | Foamed polyurethane                   |                     |             |                |              |                |  |
| For outdoor units        | Pair application                     | See chapter RYP-B7                    |                     |             |                |              |                |  |

2





## 2 Specifications

| ELECTRICAL SPECIFICATIONS |                         |         |   |             |             |             |             |
|---------------------------|-------------------------|---------|---|-------------|-------------|-------------|-------------|
| For indoor units only:    |                         |         |   | FHYB35GZ7V1 | FHYB45GZ7V1 | FHYBP35B7V1 | FHYBP45B7V1 |
| CURRENT                   | Nominal running current | cooling | A | -           | -           | -           | -           |
|                           |                         | heating | A | -           | -           | -           | -           |

| For combination indoor units + outdoor units: |                          |         |   | FHYB35GZ7V1 | FHYB45GZ7V1 | FHYBP35B7V1                              | FHYBP45B7V1 |
|-----------------------------------------------|--------------------------|---------|---|-------------|-------------|------------------------------------------|-------------|
|                                               |                          |         |   | RY35EAZ7V1  | RY45EAZ7V1  | -                                        | -           |
| CURRENT                                       | Nominal running current  | cooling | A | 6.9         | 9.1         | Twin/triple/double twin application only |             |
|                                               |                          | heating | A | 6.4         | 8.8         |                                          |             |
|                                               | Maximum running current  | cooling | A | -           | -           |                                          |             |
|                                               |                          | heating | A | -           | -           |                                          |             |
|                                               | Starting running current | cooling | A | 34          | 42          |                                          |             |
|                                               |                          | heating | A | 34          | 42          |                                          |             |

| For indoor units only:              |           |  |    | FHYB35GZ7V1 | FHYB45GZ7V1 | FHYBP35B7V1 | FHYBP45B7V1 |
|-------------------------------------|-----------|--|----|-------------|-------------|-------------|-------------|
| POWER SUPPLY                        |           |  |    | V1          | V1          | V1          | V1          |
| NOMINAL DISTRIBUTION SYSTEM VOLTAGE | Phase     |  |    | 1~          | 1~          | 1~          | 1~          |
|                                     | Frequency |  | Hz | 50          | 50          | 50          | 50          |
|                                     | Voltage   |  | V  | 230         | 230         | 230         | 230         |

2

| ELECTRICAL SPECIFICATIONS |                         |         |   |             |             |              |              |
|---------------------------|-------------------------|---------|---|-------------|-------------|--------------|--------------|
| For indoor units only:    |                         |         |   | FHYBP60B7V1 | FHYBP71B7V1 | FHYBP100B7V1 | FHYBP125B7V1 |
| CURRENT                   | Nominal running current | cooling | A | -           | -           | -            | -            |
|                           |                         | heating | A | -           | -           | -            | -            |

| For combination indoor units + outdoor units: |                         |         |   | FHYBP60B7V1                              | FHYBP71B7V1  | FHYBP100B7V1  | FHYBP125B7V1  |
|-----------------------------------------------|-------------------------|---------|---|------------------------------------------|--------------|---------------|---------------|
|                                               |                         |         |   | -                                        | RYP71B7V1/W1 | RYP100B7V1/W1 | RYP125B7V1/W1 |
| CURRENT                                       | Nominal running current | cooling | A | Twin/triple/double twin application only | -            | -             | -             |
|                                               |                         | heating | A |                                          | -            | -             | -             |
|                                               | Maximum running current | cooling | A |                                          | -            | -             | -             |
|                                               |                         | heating | A |                                          | -            | -             | -             |

| For indoor units only:              |           |  |    | FHYBP60B7V1 | FHYBP71B7V1 | FHYBP100B7V1 | FHYBP125B7V1 |
|-------------------------------------|-----------|--|----|-------------|-------------|--------------|--------------|
| POWER SUPPLY                        |           |  |    | V1          | V1          | V1           | V1           |
| NOMINAL DISTRIBUTION SYSTEM VOLTAGE | Phase     |  |    | 1~          | 1~          | 1~           | 1~           |
|                                     | Frequency |  | Hz | 50          | 50          | 50           | 50           |
|                                     | Voltage   |  | V  | 230         | 230         | 230          | 230          |

### NOTES

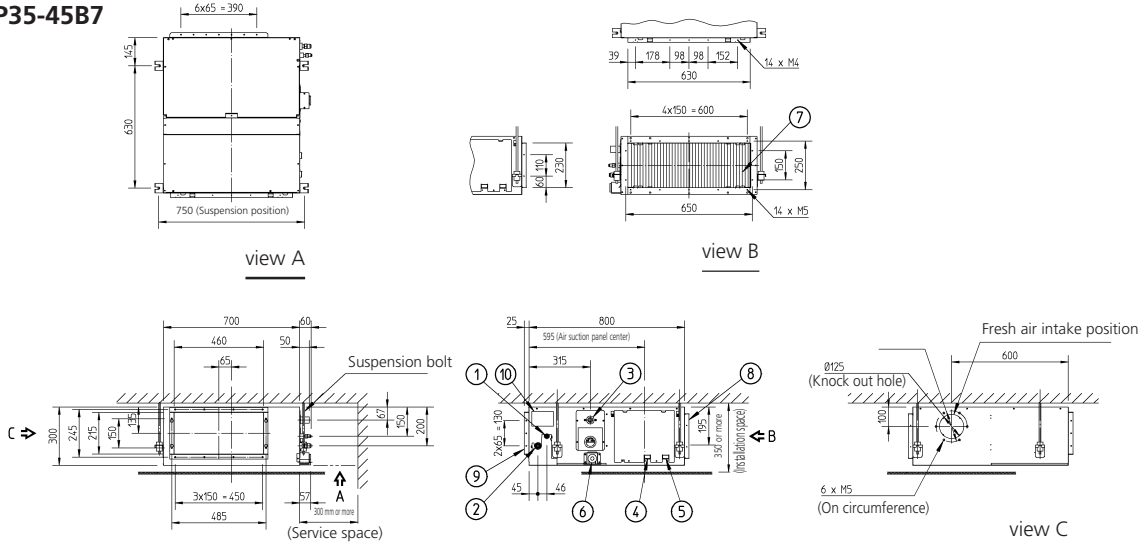
- Nominal cooling capacities are based on: indoor temperature: 27°CDB/19°CWB \* outdoor temperature: 35°CDB/24°CWB \* refrigerant piping length: 7.5m \* level difference 0m.
- Nominal heating capacities are based on: indoor temperature: 20°CDB/12°CWB \* outdoor temperature: 7°CDB/6°CWB \* refrigerant piping length: 7.5m \* level difference 0m.
- Capacities are net, including a deduction for cooling (an addition for heating) for indoor fan motor heat.
- The sound pressure level is measured via a microphone at a certain distance from the unit. It is a relative value, depending on the distance and acoustic environment. For measuring conditions: please refer to item 6 of this chapter.
- The sound power level is an absolute value indicating the "power" which a sound source generates.



### 3 Dimensional drawings

3

FH(Y)B35-45GZ7  
FHYBP35-45B7



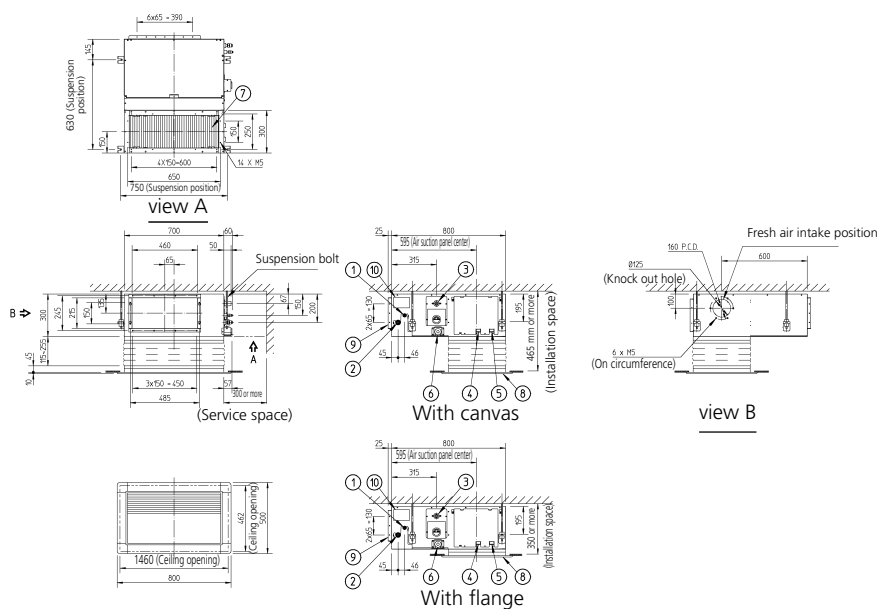
- Notes:**
1. Refer to 'outlook drawing for installing optional accessories' when installing optional accessories.
  2. The required ceiling depth varies according to configuration of the specific system.
  3. For maintenance of the air filter, it is necessary to provide a service access panel according to the installation method. (Refer to the 'filter installation method' drawing)

- 1 Liquid pipe connection  $\phi$  A Flare connection
- 2 Gas pipe connection  $\phi$  B Flare connection
- 3 Drain pipe connection VP25 (I.D.  $\phi$  32, I.D.  $\phi$  25)
- 4 Remote control wiring connection
- 5 Power supply connection
- 6 Drain hole (I.D.  $\phi$  32, I.D.  $\phi$  25)
- 7 Air filter
- 8 Air suction side
- 9 Air discharge side
- 10 Name plate

| Model     | A    | B     |
|-----------|------|-------|
| FHB35     | 6.35 | 12.70 |
| FHYB(P)35 | 6.35 | 12.70 |
| FHB45     | 6.35 | 15.90 |
| FHYB(P)45 | 6.35 | 12.70 |

3TW22224-1B

FH(Y)B35-45GZ7  
FHYBP35-45B7  
With canvas



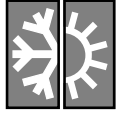
- Notes:**
1. Refer to 'outlook drawing for installing optional accessories' when installing optional accessories.
  2. Optional decoration panel: BYBS45DJW1 (Light Ivory white 10Y9/0.5)
  3. The required ceiling depth varies according to configuration of the specific system

- 1 Liquid pipe connection  $\phi$  A Flare connection
- 2 Gas pipe connection  $\phi$  B Flare connection
- 3 Drain pipe connection VP25 (I.D.  $\phi$  32, I.D.  $\phi$  25)
- 4 Remote control wiring connection
- 5 Power supply connection
- 6 Drain hole VP25 (I.D.  $\phi$  32, I.D.  $\phi$  25)
- 7 Air filter
- 8 Air suction side
- 9 Air discharge side
- 10 Name plate

| Model     | A    | B     |
|-----------|------|-------|
| FHB35     | 6.35 | 12.70 |
| FHYB(P)35 | 6.35 | 12.70 |
| FHB45     | 6.35 | 15.90 |
| FHYB(P)45 | 6.35 | 12.70 |

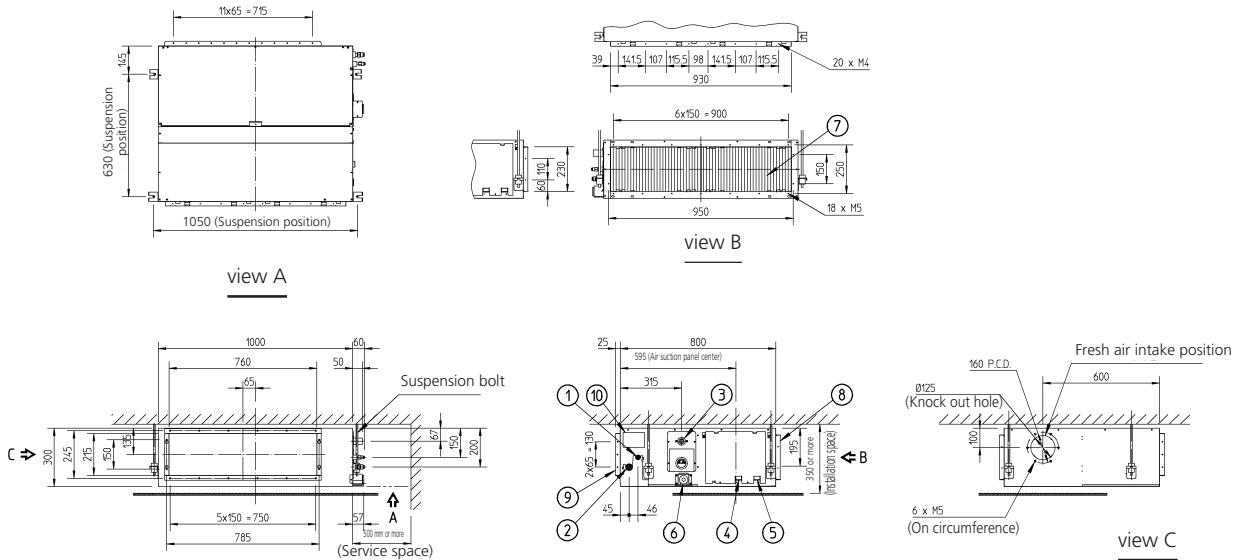
3TW22224-2B

8



# 3 Dimensional drawings

## FHYBP60-71B7



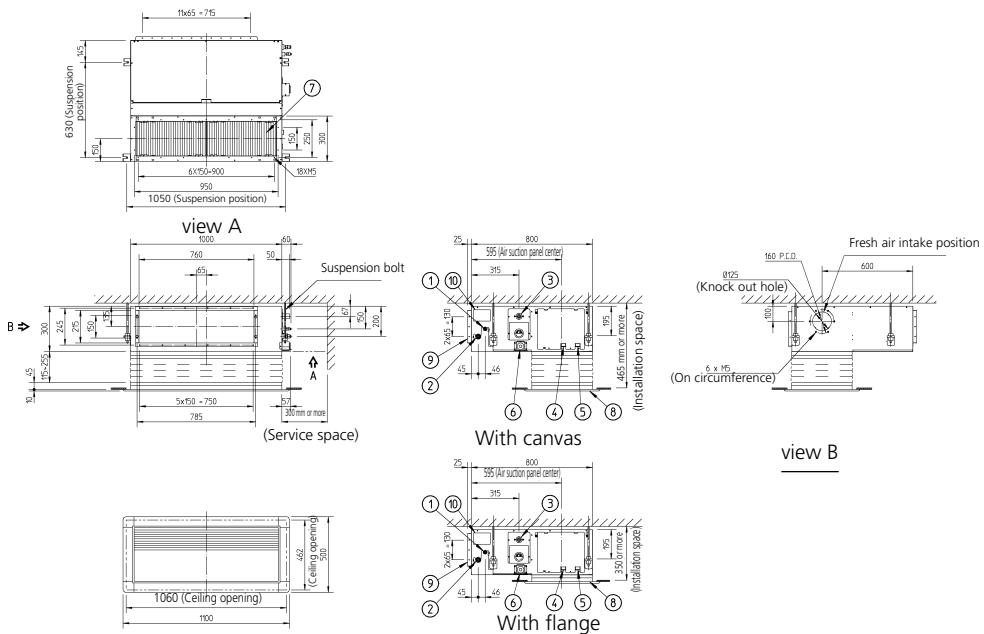
- Notes:**
1. Refer to 'outlook drawing for installing optional accessories' when installing optional accessories.
  2. The required ceiling depth varies according to configuration of the specific system.
  3. For maintenance of the air filter, it is necessary to provide a service access panel according to the installation method. (Refer to the 'filter installation method' drawing)

- 1 Liquid pipe connection  $\phi$  A Flare connection
- 2 Gas pipe connection  $\phi$  B Flare connection
- 3 Drain pipe connection VP25 (I.D.  $\phi$  32, I.D.  $\phi$  25)
- 4 Remote control wiring connection
- 5 Power supply connection
- 6 Drain hole (I.D.  $\phi$  32, I.D.  $\phi$  25)
- 7 Air filter
- 8 Air suction side
- 9 Air discharge side
- 10 Name plate

| Model     | A    | B     |
|-----------|------|-------|
| FHB60     | 6.35 | 15.90 |
| FHYB(P)60 | 9.52 | 15.90 |
| FHYB(P)71 | 9.52 | 15.90 |

3TW22244-1B

## FHYBP60-71B7 With canvas

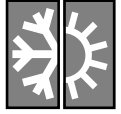


- Notes:**
1. Refer to 'outlook drawing for installing optional accessories' when installing optional accessories.
  2. Optional decoration panel: BYB5125DJW1 (Light ivory white 10Y9/0.5)
  3. The required ceiling depth varies according to configuration of the specific system

- 1 Liquid pipe connection  $\phi$  A Flare connection
- 2 Gas pipe connection  $\phi$  B Flare connection
- 3 Drain pipe connection VP25 (I.D.  $\phi$  32, I.D.  $\phi$  25)
- 4 Remote control wiring connection
- 5 Power supply connection
- 6 Drain hole VP25 (I.D.  $\phi$  32, I.D.  $\phi$  25)
- 7 Air filter
- 8 Air suction side
- 9 Air discharge side
- 10 Name plate

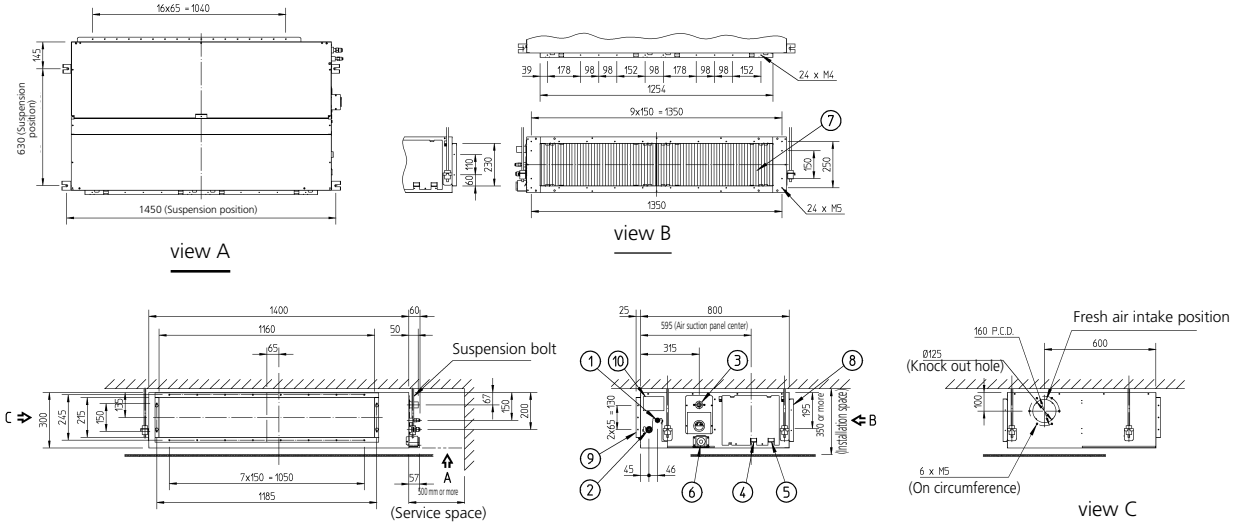
| Model     | A    | B     |
|-----------|------|-------|
| FHB60     | 6.35 | 15.90 |
| FHYB(P)60 | 9.52 | 15.90 |
| FHYB(P)71 | 9.52 | 15.90 |

3TW22244-2B



# 3 Dimensional drawings

## FHYBP100-125B7



- Notes:**
1. Refer to 'outlook drawing for installing optional accessories' when installing optional accessories.
  2. The required ceiling depth varies according to configuration of the specific system.
  3. For maintenance of the air filter, it is necessary to provide a service access panel according to the installation method. (Refer to the 'filter installation method' drawing)

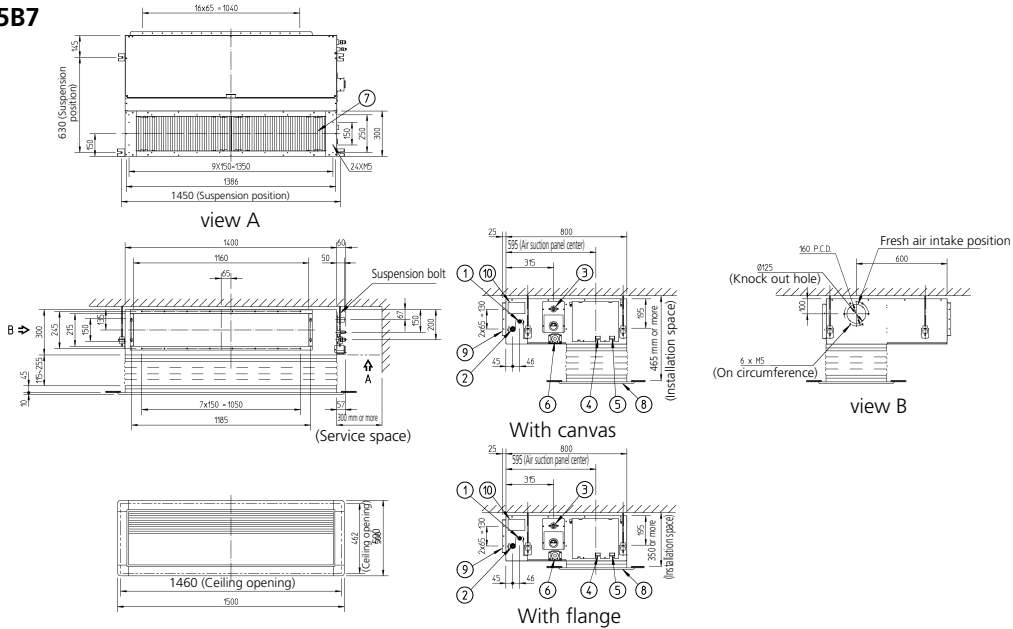
- 1 Liquid pipe connection  $\phi$  A Flare connection
- 2 Gas pipe connection  $\phi$  B Flare connection
- 3 Drain pipe connection VP25 (I.D.  $\phi$  32, I.D.  $\phi$  25)
- 4 Remote control wiring connection
- 5 Power supply connection
- 6 Drain hole (I.D.  $\phi$  32, I.D.  $\phi$  25)
- 7 Air filter
- 8 Air suction side
- 9 Air discharge side
- 10 Name plate

| Model      | A    | B     |
|------------|------|-------|
| FHYB(P)100 | 9.52 | 19.10 |
| FHYB(P)125 | 9.52 | 19.10 |

3TW22254-1B

## FHYBP100-125B7

### With canvas



- Notes:**
1. Refer to 'outlook drawing for installing optional accessories' when installing optional accessories.
  2. Optional decoration panel : BYB125DJW1
  3. The required ceiling depth varies according to configuration of the specific system

- 1 Liquid pipe connection  $\phi$  A Flare connection
- 2 Gas pipe connection  $\phi$  B Flare connection
- 3 Drain pipe connection VP25 (I.D.  $\phi$  32, I.D.  $\phi$  25)
- 4 Remote control wiring connection
- 5 Power supply connection
- 6 Drain hole VP25 (I.D.  $\phi$  32, I.D.  $\phi$  25)
- 7 Air filter
- 8 Air suction side
- 9 Air discharge side
- 10 Name plate

| Model      | A    | B     |
|------------|------|-------|
| FHYB(P)100 | 9.52 | 19.10 |
| FHYB(P)125 | 9.52 | 19.10 |

3TW22254-2B

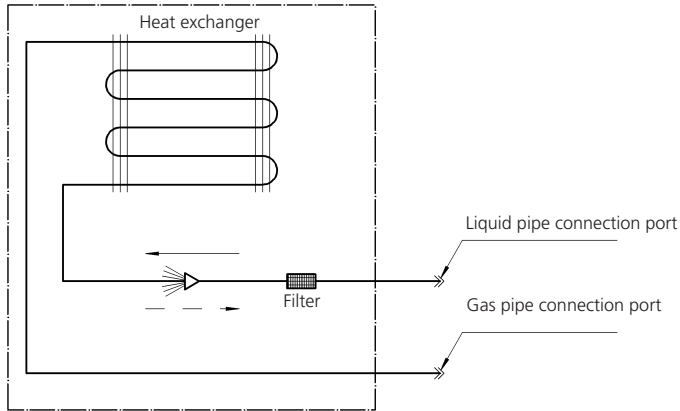


# 4 Piping diagrams

**FH(Y)B-GZ7**  
**FHYBP-B7**

Refrigerant flow

Cooling   
 Heating



Refrigerant pipe connection port diameters

| Model                | Gas     | Liquid |
|----------------------|---------|--------|
| FH(Y)B35GZ, FHYBP35B | φ 12.70 | φ 6.35 |
| FH(Y)B45GZ, FHYBP45B | φ 15.90 | φ 6.35 |
| FHYB71GZ             | φ 15.90 | φ 9.52 |
| FHYBP60B, FHYBP71B   |         |        |
| FHYBP100B, FHYBP125B | φ 19.10 | φ 9.52 |

Check valve  
 Flare connection  
 Screw connection  
 Flange connection  
 Pinched pipe  
 Spinned pipe

3TW20435-1G

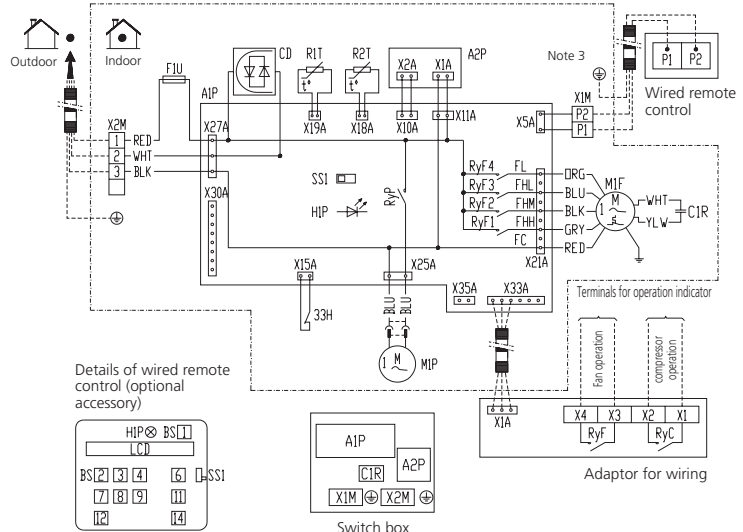


# 5 Wiring diagrams

## FHB35-45GZ7

**Notes**

1. When using the central remote control, see manual for connection to the unit.
2. The remote controller model varies according to the combination system. refer to technical materials and catalogues, etc. before connecting.
3. Ground the shield of the remote control cord to the indoor unit.



Field wiring Terminal  
 Connector  
 Wire clamp  
 Protective earth (screw)

Colours  
 BLK: Black / WHT: White / RED: Red / BLU: Blue / GRY: Grey / ORG: Orange

5

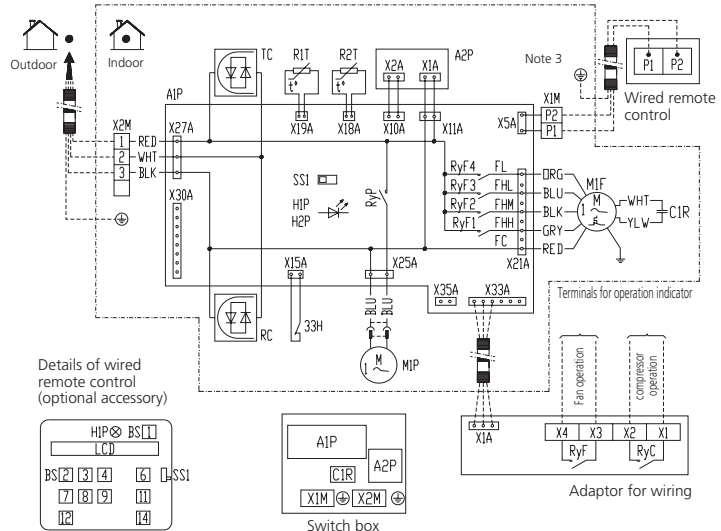
|     |                                                  |        |                                          |                      |      |                                            |                                                  |
|-----|--------------------------------------------------|--------|------------------------------------------|----------------------|------|--------------------------------------------|--------------------------------------------------|
| 33H | Float switch                                     | R1T    | Thermistor (air)                         | Wired remote control | BS14 | Filter sign reset button                   | Adaptor for wiring                               |
| A1P | Printed circuit board                            | R2T    | Thermistor (coil)                        | BS1                  | H1P  | Light emitting diode (service monitor red) | RyC, Ryf                                         |
| A2P | Printed circuit board (transformer 220-240V/16V) | RyC    | Magnetic relay (outdoor unit compressor) | BS2                  | LCD  | Liquid crystal display (LCD)               | Connector for optional parts                     |
| C1R | Capacitor (fan)                                  | RyF1-4 | Magnetic relay (fan)                     | BS3, BS5             | SS1  | Selector switch (main/sub)                 | X30A                                             |
| F1T | Thermal fuse (152°C) (M1F embedded)              | RyP    | Magnetic relay (drain pump)              | BS4, BS9             |      |                                            | Connector (interface adaptor for sky air series) |
| F1U | Fuse (250V, 5A)                                  | SS1    | Selector switch (emergency)              | BS6                  |      |                                            | X33A                                             |
| H1P | Light emitting diode (service monitor green)     | X1M    | Terminal strip                           | BS7                  |      |                                            | Connector (adaptor for wiring)                   |
| M1F | Motor                                            | X2M    | Terminal strip                           | BS11                 |      |                                            | X35A                                             |
| M1P | Motor                                            | RC     | Signal receiver circuit                  | BS12                 |      |                                            | Connector (group control adaptor)                |

2TW22046-1B

## FHYB35,45,71GZ7

**Notes**

1. When using the central remote control, see manual for connection to the unit.
2. The remote controller model varies according to the combination system. refer to technical materials and catalogues, etc. before connecting.
3. Ground the shield of the remote control cord to the indoor unit.



Field wiring Terminal  
 Connector  
 Wire clamp  
 Protective earth (screw)

Colours  
 BLK: Black / WHT: White / RED: Red / BLU: Blue / GRY: Grey / ORG: Orange

|          |                                                  |        |                             |                      |      |                                            |                                                  |
|----------|--------------------------------------------------|--------|-----------------------------|----------------------|------|--------------------------------------------|--------------------------------------------------|
| 33H      | Float switch                                     | R1T    | Thermistor (air)            | Wired remote control | BS14 | Filter sign reset button                   | Adaptor for wiring                               |
| A1P      | Printed circuit board                            | R2T    | Thermistor (coil)           | BS1                  | H1P  | Light emitting diode (service monitor red) | RyC, Ryf                                         |
| A2P      | Printed circuit board (transformer 220-240V/16V) | RyC    | Magnetic relay (fan)        | BS2                  | LCD  | Liquid crystal display (LCD)               | Connector for optional parts                     |
| C1R      | Capacitor (fan)                                  | RyF1-4 | Magnetic relay (fan)        | BS3, BS5             | SS1  | Selector switch (main/sub)                 | X30A                                             |
| F1T      | Thermal fuse (152°C) (M1F embedded)              | RyP    | Magnetic relay (drain pump) | BS4, BS9             |      |                                            | Connector (interface adaptor for sky air series) |
| H1P, H2P | Light emitting diode (service monitor green)     | SS1    | Selector switch (emergency) | BS6                  |      |                                            | X33A                                             |
| M1F      | Motor                                            | X1M    | Terminal strip              | BS7                  |      |                                            | Connector (adaptor for wiring)                   |
| M1P      | Motor                                            | X2M    | Terminal strip              | BS11                 |      |                                            | X35A                                             |
|          |                                                  | RC     | Signal receiver circuit     | BS12                 |      |                                            | Connector (group control adaptor)                |
|          |                                                  | TC     | Signal transmission circuit |                      |      |                                            |                                                  |

2TW21596-1B



# 5 Wiring diagrams

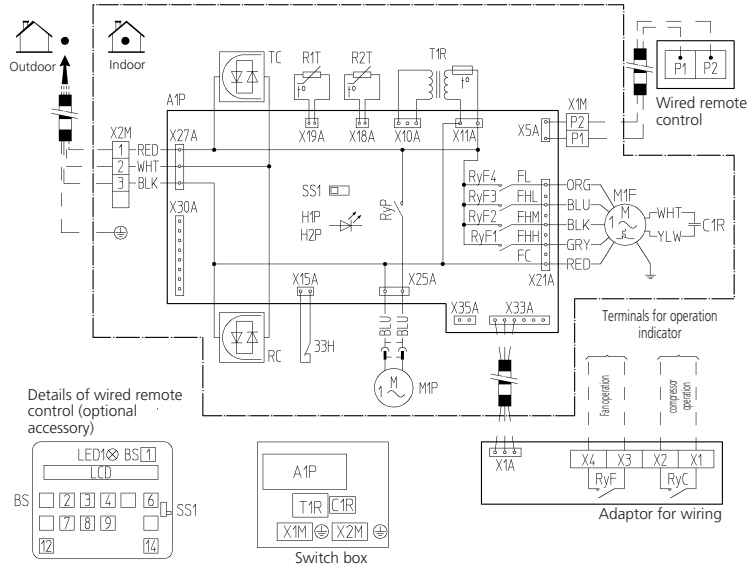
## FHYBP35-45-60-71B7

**Notes**

- When using the central remote control, see manual for connection to the unit.
- The remote controller model varies according to the combination system. see technical materials and catalogues, etc. before connecting.

- Field wiring
- Terminal
- Connector
- Wire clamp
- Protective earth (screw)

**Colours**  
 BLK: Black/ PPL: purple/ BLU: Blue/  
 WHT: White/ RED: Red/ GRN: green/  
 GRY: grey/ YLW: Yellow



|         |                                                      |                              |                                                  |                      |                                   |     |                                            |
|---------|------------------------------------------------------|------------------------------|--------------------------------------------------|----------------------|-----------------------------------|-----|--------------------------------------------|
| 33H     | Floating switch                                      | RyP                          | Magnetic relay (drain pump)                      | X35A                 | Connector (group control adaptor) | H1P | Light emitting diode (service monitor red) |
| A1P     | Printed circuit board                                | SS1                          | Selector switch (emergency)                      | Wired remote control |                                   | LCD | Liquid crystal display (LCD)               |
| T1R     | Power supply transformer (transformer 220-240V/218V) | X1M                          | Terminal strip (emergency)                       | B51                  | On/Off button                     | SS1 | Selector switch (main/sub)                 |
| C1R     | Capacitor (fan)                                      | X2M                          | Terminal strip                                   | B52                  | Timer mode start/stop button      |     |                                            |
| F1T     | Thermal fuse (152°C) (M1F embedded)                  | RC                           | Signal receiver circuit                          | B53,B58              | Programming time button           |     |                                            |
| H1P,H2P | Light emitting diode (service monitor green)         | TC                           | Signal transmission circuit                      | B54,B59              | Temperature setting button        |     |                                            |
| M1F     | Motor (fan)                                          | Adaptor for wiring           |                                                  | B56                  | Operation mode selector button    |     |                                            |
| M1P     | Motor (drain pump)                                   | RyC,RyF                      | Magnetic relay                                   | B57                  | Timer on/off button               |     |                                            |
| R1T     | Thermistor (air)                                     | Connector for optional parts |                                                  | B511                 | Fan speed control button          |     |                                            |
| R2T     | Thermistor (coil)                                    | X30A                         | Connector (interface adaptor for sky air series) | B512                 | Inspection/test operation button  |     |                                            |
| RyF1-4  | Magnetic relay (fan)                                 | X33A                         | Connector (adaptor for wiring)                   | B514                 | Filter sign reset button          |     |                                            |

2TW23106-1

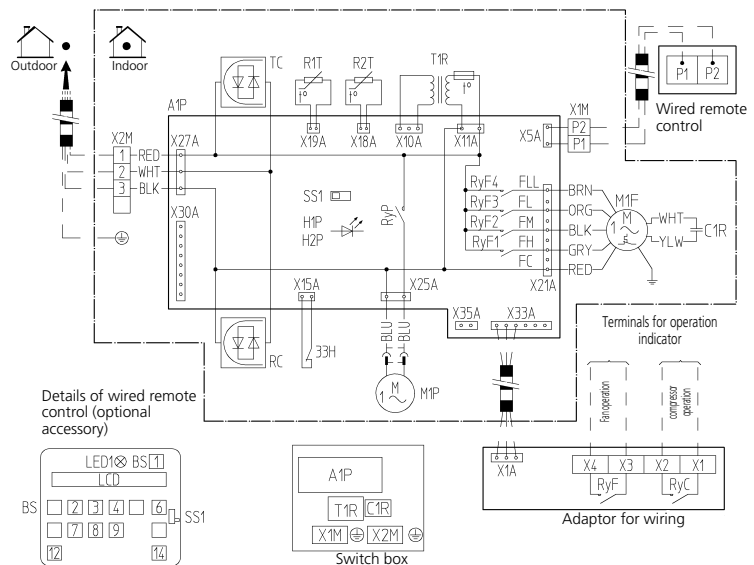
## FHYBP100-125B7

**Notes**

- When using the central remote control, see manual for connection to the unit.
- The remote controller model varies according to the combination system. see technical materials and catalogues, etc. before connecting.

- Field wiring
- Terminal
- Connector
- Wire clamp
- Protective earth (screw)

**Colours**  
 BLK: Black/ PPL: purple/ BLU: Blue/  
 WHT: White/ RED: Red/ GRN: green/  
 GRY: grey/ YLW: Yellow



|         |                                                      |                              |                                                  |                      |                                   |     |                                            |
|---------|------------------------------------------------------|------------------------------|--------------------------------------------------|----------------------|-----------------------------------|-----|--------------------------------------------|
| 33H     | Floating switch                                      | RyP                          | Magnetic relay (drain pump)                      | X35A                 | Connector (group control adaptor) | H1P | Light emitting diode (service monitor red) |
| A1P     | Printed circuit board                                | SS1                          | Selector switch (emergency)                      | Wired remote control |                                   | LCD | Liquid crystal display (LCD)               |
| T1R     | Power supply transformer (transformer 220-240V/218V) | X1M                          | Terminal strip (emergency)                       | B51                  | On/Off button                     | SS1 | Selector switch (main/sub)                 |
| C1R     | Capacitor (fan)                                      | X2M                          | Terminal strip                                   | B52                  | Timer mode start/stop button      |     |                                            |
| F1T     | Thermal fuse (152°C) (M1F embedded)                  | RC                           | Signal receiver circuit                          | B53,B58              | Programming time button           |     |                                            |
| H1P,H2P | Light emitting diode (service monitor green)         | TC                           | Signal transmission circuit                      | B54,B59              | Temperature setting button        |     |                                            |
| M1F     | Motor (fan)                                          | Adaptor for wiring           |                                                  | B56                  | Operation mode selector button    |     |                                            |
| M1P     | Motor (drain pump)                                   | RyC,RyF                      | Magnetic relay                                   | B57                  | Timer on/off button               |     |                                            |
| R1T     | Thermistor (air)                                     | Connector for optional parts |                                                  | B511                 | Fan speed control button          |     |                                            |
| R2T     | Thermistor (coil)                                    | X30A                         | Connector (interface adaptor for sky air series) | B512                 | Inspection/test operation button  |     |                                            |
| RyF1-4  | Magnetic relay (fan)                                 | X33A                         | Connector (adaptor for wiring)                   | B514                 | Filter sign reset button          |     |                                            |

2TW23146-1A



# 6 Sound level

## 6-1 Sound level data

### Cooling only

| Model      | Sound pressure level |    | Measuring location | Sound power level (H)<br>(cooling) |
|------------|----------------------|----|--------------------|------------------------------------|
|            | 230V                 |    |                    |                                    |
|            | 50Hz                 |    |                    |                                    |
|            | H                    | L  |                    |                                    |
| FHB35GZ    | 33                   | 29 |                    | 52                                 |
| FHB45GZ    | 33                   | 29 |                    | 53                                 |
| FHYBP71B7  | 34                   | 30 |                    | 60                                 |
| FHYBP100B7 | 36                   | 31 |                    | 62                                 |
| FHYBP125B7 | 38                   | 32 |                    | 63                                 |

### Heat pump

| Model      | Sound pressure level |                     | Measuring location | Sound power level (H)<br>(cooling/heating) |
|------------|----------------------|---------------------|--------------------|--------------------------------------------|
|            | 230V                 |                     |                    |                                            |
|            | 50Hz                 |                     |                    |                                            |
|            | H (cooling/heating)  | L (cooling/heating) |                    |                                            |
| FHYB35GZ   | 33/33                | 29/29               |                    | 52/52                                      |
| FHYB45GZ   | 33/33                | 29/29               |                    | 53/53                                      |
| FHYBP35B7  | 33/33                | 29/29               |                    | 52/52                                      |
| FHYBP45B7  | 33/33                | 29/29               |                    | 53/53                                      |
| FHYBP60B7  | 34/34                | 30/30               |                    | 60/60                                      |
| FHYBP71B7  | 34/34                | 30/30               |                    | 60/60                                      |
| FHYBP100B7 | 36/36                | 31/31               |                    | 62/62                                      |
| FHYBP125B7 | 38/38                | 32/32               |                    | 63/63                                      |

6  
6-1

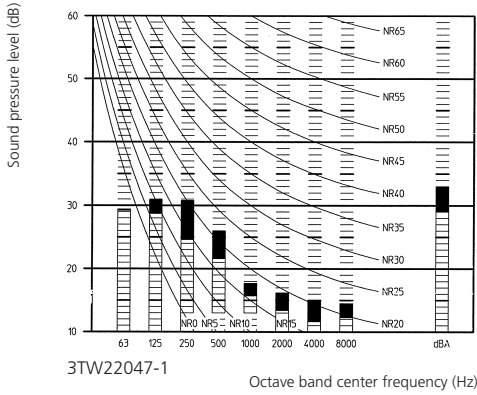




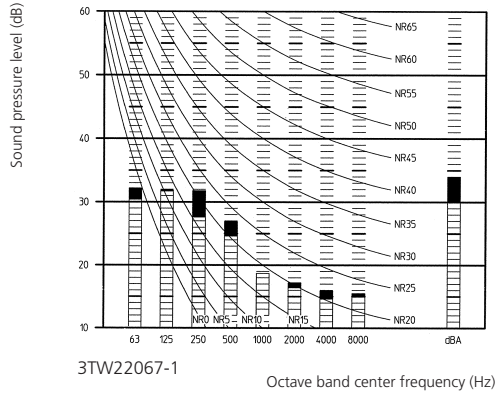
# 6 Sound level

## 6-2 Sound pressure spectrum

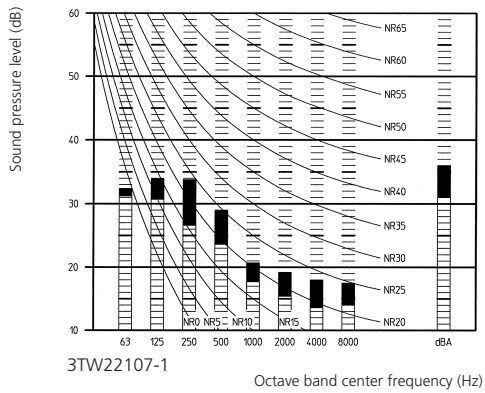
FHYB35,45GZ7/FHYBP35,45B7



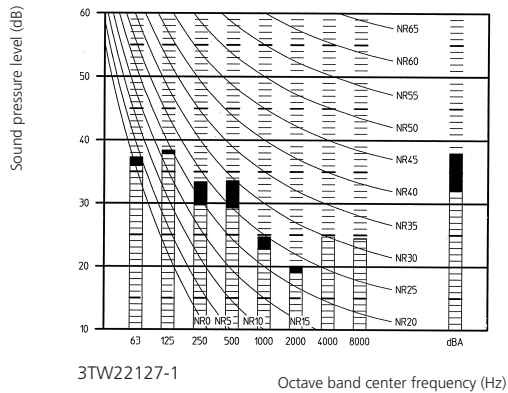
FHYB71GZ7/FHYBP60,71B7



FHYB100GZ7/FHYBP100B7



FHYB125GZ/FHYBP125B



### NOTES

- 1 Data is valid at free field condition
- 2 Operation sound levels are valid at nominal operation condition 230V
- 3 dBA = A-weighted sound pressure level (A-scale according to IEC)
- 4 Reference acoustic pressure 0dB = 20μPa

### Legend

- High speed
- Low speed

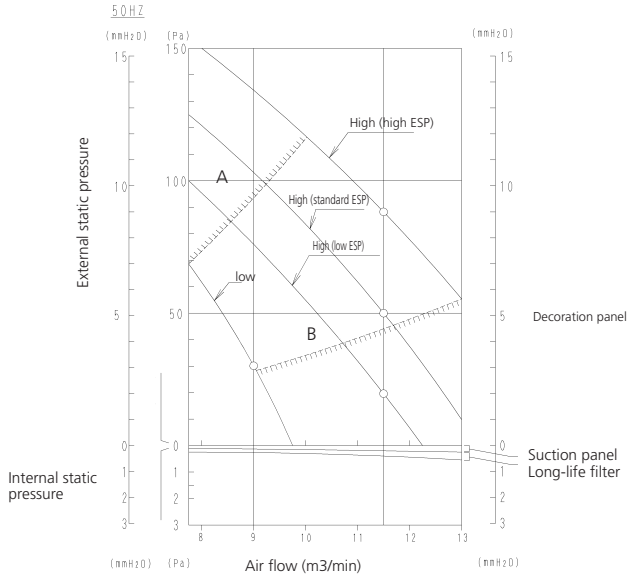
# 7 Fan characteristics



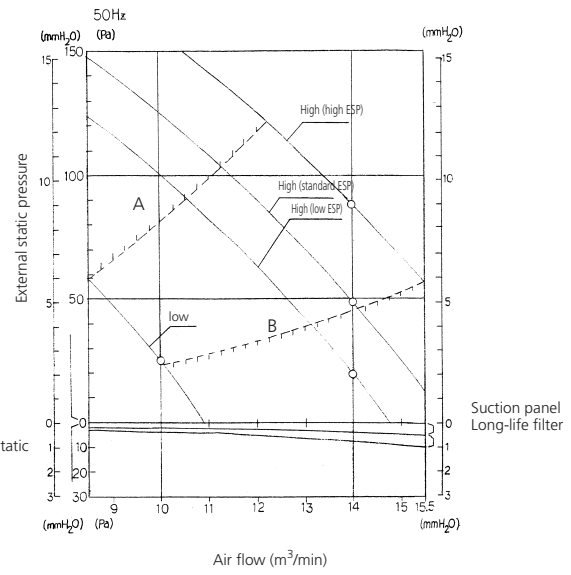
Cooling only

**FH(Y)B35-45GZ7**  
**FHYBP35-45B7**

**FHYBP60-71B7**

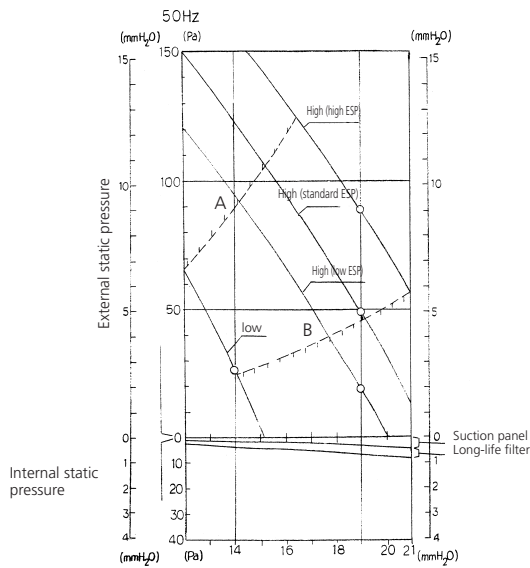


DU220-411C



DU220-412A

**FHYBP100-125B7**



DU220-413A

### NOTES

1. The remote control can be used to switch between 'high' and 'low'
2. The air flow is set to 'standard' before leaving the factory. It is possible to switch between 'standard EPS' and 'high EPS' by programming on the remote control.
3. The internal static pressure indicates the characteristics of the fan when a suction panel (optional accessory) and a canvas for the suction panel (optional accessory) are incorporated into the main unit (with a long-life filter).

A = Upper limit of external static pressure (high ESP)  
B = Lower limit of external static pressure (high ESP)



## 8 Accessories

### 8-1 Standard accessories

Operation manual, installation manual, drain hose, clamp material, insulation for piping, sealing pads, clamps, screws, washers.

### 8-2 Optional accessories

| Nr | Item                                       | FH(Y)B(P)35,45                                      | FH(Y)B(P)60,71 | FHYB(P)100,125 |             |
|----|--------------------------------------------|-----------------------------------------------------|----------------|----------------|-------------|
| 1  | Panel related                              | Decoration panel                                    | BYBS45DJW1     | BYBS71DJW1     | BYBS125DJW1 |
|    |                                            | Service access panel                                | KTBJ25K56W     | KTBJ25K80W     | KTBJ25K160W |
| 2  | Filter related                             | High-efficiency filter 65% (colorimetric method) *1 | KAFJ252L56     | KAFJ252L80     | KAFJ252L160 |
|    |                                            | High-efficiency filter 90% (colorimetric method) *1 | KAFJ253L56     | KAFJ253L80     | KAFJ253L160 |
|    |                                            | Filter chamber for bottom suction                   | KAJ25L56D      | KAJ25L80D      | KAJ25L160D  |
|    |                                            | Filter chamber for rear suction                     | KAJ25L56B      | KAJ25L80B      | KAJ25L160B  |
| 3  | Air inlet and air discharge outlet related | Air suction canvas                                  | KSAJ25K56      | KSAJ25K80      | KSAJ25K160  |
|    |                                            | Blind board/screening door                          | KBBJ25K56      | KBBJ25K80      | KBBJ25K160  |
|    |                                            | Air discharge adaptor for round duct                | KDAJ25K56      | KDAJ25K71      | KDAJ25K140  |

8  
8-1

| Nr | Item                                                    | Type       | FH(Y)B(P)35,45 | FH(Y)B(P)60,71 | FHYB(P)100,125 |
|----|---------------------------------------------------------|------------|----------------|----------------|----------------|
| 1  | Remote control                                          | Wired type |                | BRC1C517       |                |
| 2  | Central remote control                                  |            |                | DCS302A51      |                |
| 3  | unified ON/OFF control                                  |            |                | DCS301A51      |                |
| 4  | Schedule timer                                          |            |                | DST301A51      |                |
| 5  | Adaptor for wiring (interlock for fresh air intake fan) |            |                | KRP1B54        |                |
| 6  | Wiring adaptor for electrical appendices                |            |                | KRP4A51        |                |
| 7  | Interface adaptor for Sky Air series                    |            |                | DTA102A52      |                |

3TW22049-6B

\*1 If installing a high efficiency filter on the unit, an assembly chamber for either bottom or rear suction is required.



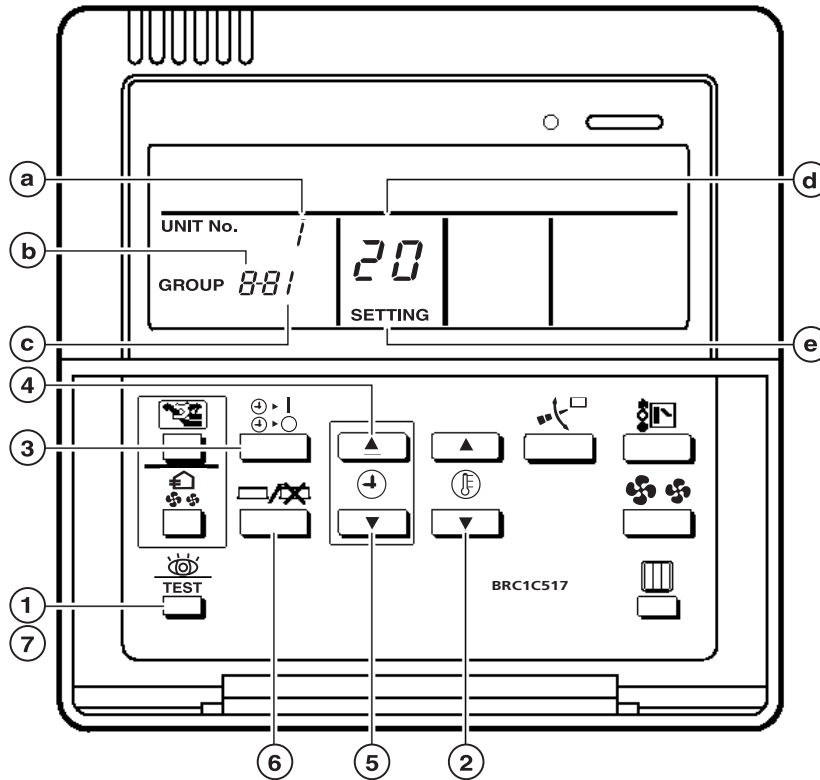
# 9 Control systems

## 9-1 Wired remote control

1

BRC1C517

Remote control



9  
9-1

### Field settings

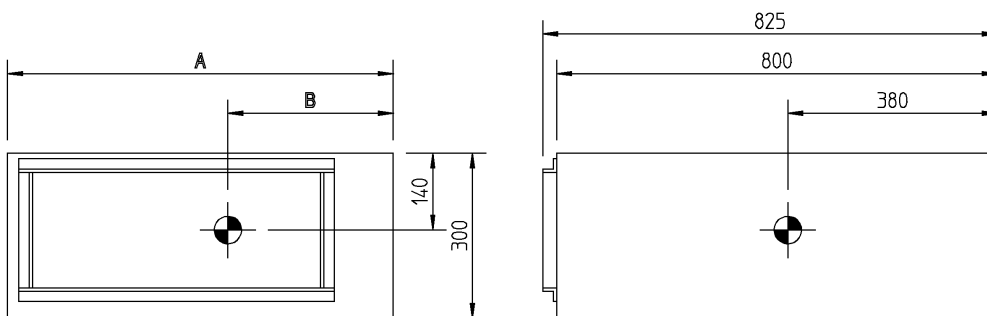
- a. Unit NO
- b. First code NO
- c. Second code NO
- d. Mode NO
- e. Field set mode

### Procedure

1. When in the normal mode, press the "TEST" button for a minimum of four seconds, and the FIELD SET MODE is entered.
2. Select the desired MODE NO. With the "UP/DOWN" button.
3. During group control, when setting by each indoor unit have been selected), push the "GROUP" button and select the INDOOR UNIT NO. To be set. (This operation is unnecessary when setting by group.)
4. Push the "UP" upper button and select FIRST CODE NO.
5. Push the "DOWN" lower button and select the SECOND CODE NO.
6. Push the "SET" button once and the present settings are SET.
7. Push the "TEST" button to return to the NORMAL MODE.



# 10 Centre of gravity



| Model          | A     | B   |
|----------------|-------|-----|
| FH(Y)B(P)35,45 | 700   | 300 |
| FH(Y)B(P)60,71 | 1,000 | 460 |
| FHYB(P)71      | 1,000 | 460 |
| FHYB(P)100,125 | 1,400 | 640 |

4TW20169-2D

# 11 Safety device settings

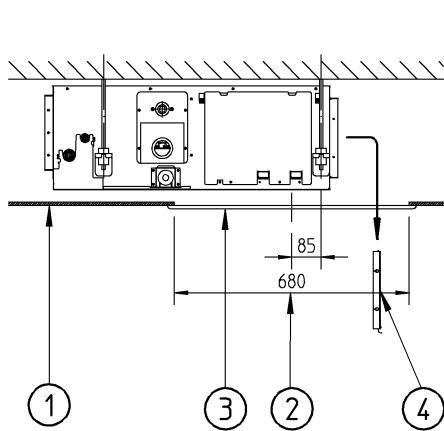
| Model        | Safety devices                   | 35    | 45    | 60    | 71    | 100   | 125   |
|--------------|----------------------------------|-------|-------|-------|-------|-------|-------|
| FHYB(P)/GZ/B | Fuse                             | -     | -     | -     | -     | -     | -     |
|              | Fan motor thermal fuse (°C)      | 152±2 | 152±2 | 152±2 | 152±2 | 152±2 | 152±2 |
|              | Fan motor thermal protector (°C) | -     | -     | -     | -     | -     | -     |
| FHB/GZ       | Fuse                             | -     | -     | -     | -     | -     | -     |
|              | Fan motor thermal fuse (°C)      | 152±2 | 152±2 | 152±2 | 152±2 | 152±2 | 152±2 |
|              | Fan motor thermal protector (°C) | -     | -     | -     | -     | -     | -     |

3TW21009-2B

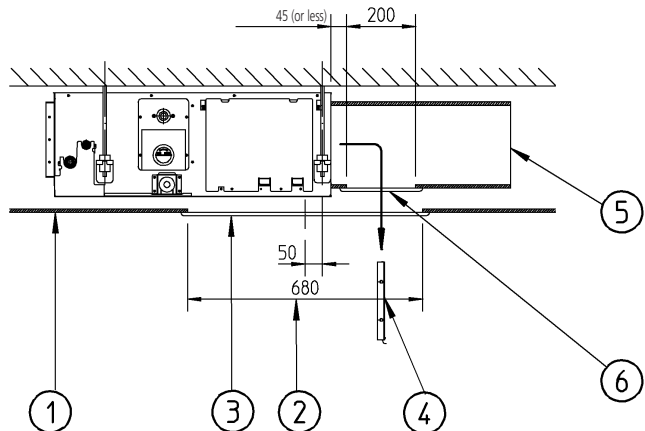


# 12 Installation instructions

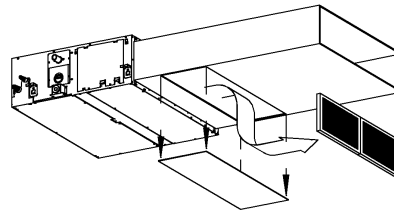
## 12-1 Filter installation method



Installation without duct



Installation with duct

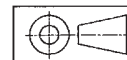


| Number | Description                     |
|--------|---------------------------------|
| 1      | False ceiling                   |
| 2      | Ceiling opening                 |
| 3      | Service access panel (optional) |
| 4      | Air filter                      |
| 5      | Air inlet duct                  |
| 6      | Duct service opening            |

### NOTES

- When installing the unit with rear suction, a service opening is necessary for the maintenance of the air filters.
- When installing the unit with a suction duct, a service opening must be provided in the duct.
- An optional service access panel is available:

| Model            | Service access panel |
|------------------|----------------------|
| FH(Y)B(P)35,45   | KTBJ25K56W           |
| FH(Y)B(P)60,71   | KTBJ25K80W           |
| FH(Y)B(P)100,125 | KTBJ25K160W          |

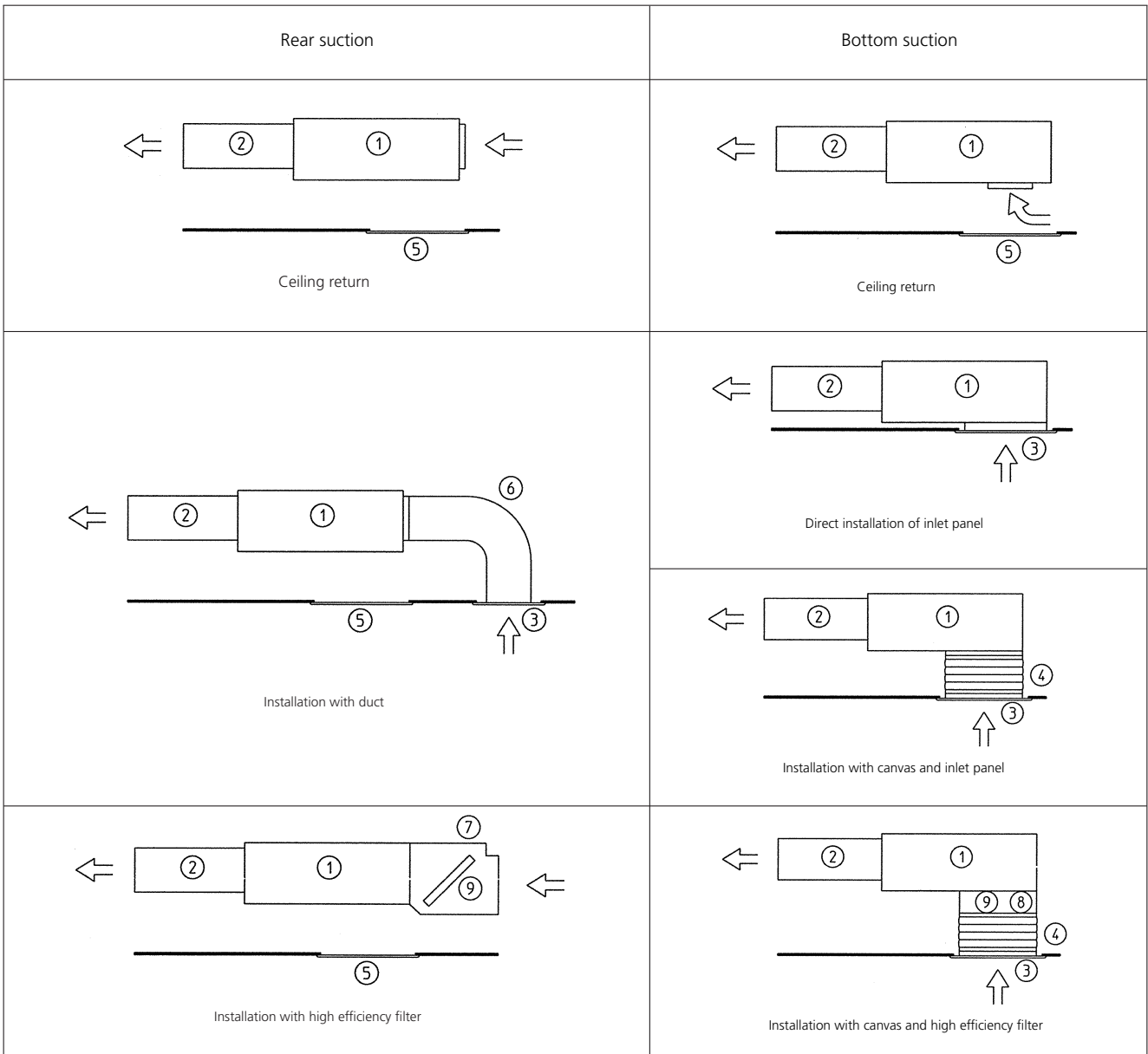


3TW22044-3A



# 12 Installation

## 12-2 Installation characteristics

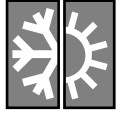


**12**  
12-2

Wide variety of installation methods

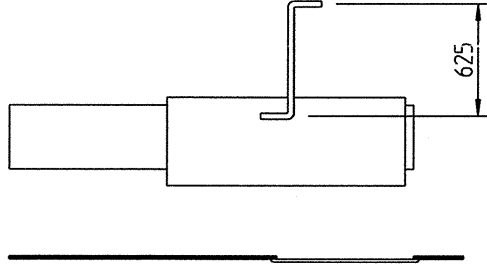
| Number | Description                       |                    |
|--------|-----------------------------------|--------------------|
| 1      | Main body                         |                    |
| 2      | Air outlet duct                   | Field supply       |
| 3      | Inlet panel                       | Optional accessory |
| 4      | Air suction canvas                | Optional accessory |
| 5      | Access panel                      | Optional accessory |
| 6      | Air inlet duct                    | Field supply       |
| 7      | Filter chamber for rear suction   | Optional accessory |
| 8      | Filter chamber for bottom suction | Optional accessory |
| 9      | High efficiency filter            | Optional accessory |

3TW22043-4



# 12 Installation

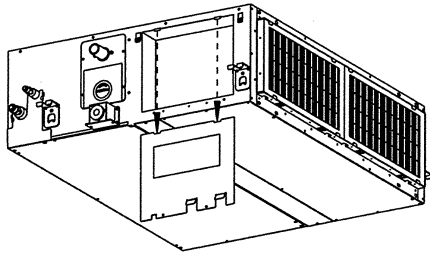
## 12-2 Installation characteristics



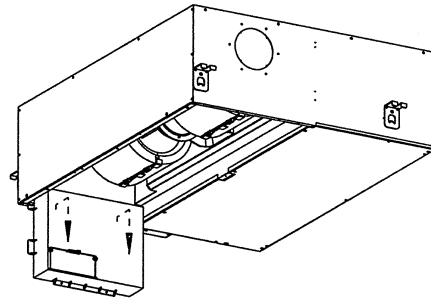
Drain pump up height

12

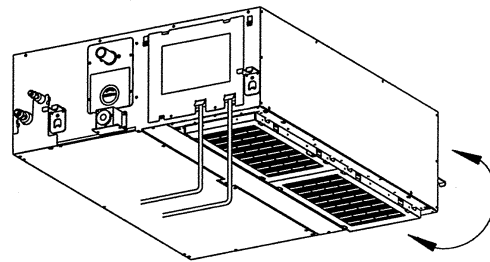
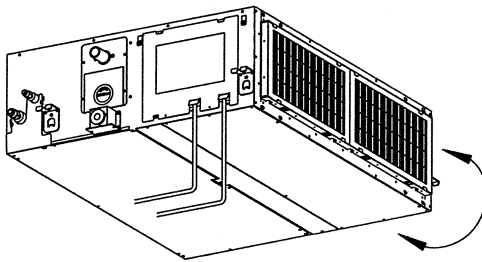
12-2



From the outside of the switch box:  
remove the switch box cover



Easy access to the switch box



Easy modification from rear to bottom suction

3TW22043-4