



# Air Conditioning Technical Data



EEDEN15-100

RXB-C



# TABLE OF CONTENTS

## RXB-C

1	Features .....	2
2	Specifications .....	3
	Capacity and Power input .....	3
	Technical Specifications .....	3
	Electrical Specifications .....	5
3	Electrical data .....	6
4	Capacity tables .....	7
	Cooling/Heating Capacity Tables .....	7
5	Dimensional drawings .....	12
6	Centre of gravity .....	13
7	Piping diagrams .....	15
8	Wiring diagrams .....	17
	Wiring Diagrams - Single Phase .....	17
9	Sound data .....	19
	Sound Pressure Spectrum .....	19
10	Operation range .....	22

# 1 Features

- Seasonal efficiency values up to A+
- Heat pumps are all-in-one heating & cooling solutions for residential & commercial applications. They extract thermal energy from the ambient air and are therefore more energy efficient and emit far less CO2 than comparable fossil fuel based boiler systems.
- Daikin outdoor units are equipped with an anti-corrosion treated heat exchanger (blue fin) which ensures greater resistance to the most severe weather conditions
- Outdoor units for pair application
- Wide range of units offers maximum application potential
- Daikin outdoor units are neat, sturdy and can easily be mounted on a roof or terrace or simply placed against an outside wall

1



Inverter

## 2 Specifications

2-1 Capacity and Power input				FTXB20C/RXB20C	FTXB25C/RXB25C	FTXB35C/RXB35C	FTXB50C/RXB50C	FTXB60C/RXB60C
Indoor unit				FTXB20C	FTXB25C	FTXB35C	FTXB50C	FTXB60C
Outdoor unit				RXB20C	RXB25C	RXB35C	RXB50C	RXB60C
Cooling capacity	Min.	kW	1.3			1.630	1.750	
		Btu/h	4,400			5,600	6,000	
		kcal/h	1,120			1,411.18	1,511.97	
	Nom.	kW	2.0 (1)	2.5 (1)	3.3 (1)	5.480 (1)	6.230 (1)	
		Btu/h	6,800 (1)	8,500 (1)	11,300 (1)	18,700 (1)	21,300 (1)	
		kcal/h	1,720 (1)	2,150 (1)	2,840 (1)	4,712.3	5,367.51	
	Max.	kW	2.6	3.0	3.8	6.200	6.500	
		Btu/h	8,900	10,200	13,000	21,200	22,200	
		kcal/h	2,240	2,580	3,270	5,342.31	5,594.31	
Heating capacity	Min.	kW	1.3			1.170	1.200	
		Btu/h	4,400			4,000	4,100	
		kcal/h	1,120			1,007.98	1,033.18	
	Nom.	kW	2.5 (1)	2.8 (1)	3.5 (1)	5.620 (1)	6.400 (1)	
		Btu/h	8,500 (1)	9,600 (1)	11,900 (1)	19,200 (1)	21,800 (1)	
		kcal/h	2,150 (1)	2,410 (1)	3,010 (1)	4,838.32	5,493.51	
	Max.	kW	3.5	4.0	4.8	6.600	7.100	
		Btu/h	11,900	13,600	16,400	22,500	24,200.0	
		kcal/h	3,010	3,440	4,130	5,669.9	6,098.3	
Power input	Cooling	Min.	kW	0.310		0.290	0.280	
		Nom.	kW	0.510 (1)	0.770 (1)	1.030 (1)	1.700 (1)	1.931 (1)
		Max.	kW	0.720	1.050	1.300	1.910	2.000
	Heating	Min.	kW	0.250		0.290	0.240	
		Nom.	kW	0.600 (1)	0.700 (1)	0.940 (1)	1.500 (1)	1.680 (1)
		Max.	kW	0.950	1.110	1.290	1.880	2.000
Seasonal efficiency (according to EN14825)	Cooling	Energy label		A+				
		Pdesign	kW	2.00	2.50	3.30	5.48	6.23
		SEER		5.98	6.02	6.05	5.93	6.09
		Annual energy consumption	kWh	117	145	191	324	359
	Heating (Average climate)	Energy label		A+				
		Pdesign	kW	2.20	2.40	2.80	3.64	3.80
		SCOP		4.10	4.01	4.06	4.27	4.06
		Annual energy consumption	kWh	751	838	966	1,195	1,311
Piping connections	Liquid	OD	mm	6.35			-	
	Gas	OD	mm	9.5			-	
	Drain	OD	mm	18			-	
	Heat insulation			Both liquid and gas pipes				
Current	Nominal running current (RLA) - 50Hz	Cooling	A	2.5	3.82	5.5	7.51	8.52
		Heating	A	3.0	3.2	4.7	6.65	7.46
Ecolabel logo				-			no	
Nominal efficiency	EER			3.94 (2)	3.25 (2)	3.21 (2)	3.22 (2)	3.23 (2)
	COP			4.19 (2)	4.01 (2)	3.71 (2)	3.75 (2)	3.81 (2)
	Annual energy consumption		kWh	254	385	514	851	964
	Energy label	Cooling		A				
		Heating		A				

### Notes

(1) Nominal efficiency: cooling at 35°/27° nominal load, heating at 7°/20° nominal load

(2) EER/COP according to Eurovent 2012, for use outside EU only

2-2 Technical Specifications		RXB20C	RXB25C	RXB35C	RXB50C	RXB60C
Capacity control	Method	Inverter controlled				
Casing	Colour	Ivory white				

## 2 Specifications

2-2 Technical Specifications				RXB20C	RXB25C	RXB35C	RXB50C	RXB60C	
Dimensions	Unit	Height	mm	550			753		
		Width	mm	658			855		
		Depth	mm	275			328		
	Packed unit	Height	mm	616			793		
		Width	mm	790			990		
		Depth	mm	360			415		
Weight	Unit	kg		28	30		44		
	Packed unit	kg		31	33		-		
Packing	Weight	kg		3			-		
Heat exchanger	Length		mm	670		647		-	
	Rows	Quantity		1		2			
	Fin pitch		mm	1.4			-		
	Face area		m <sup>2</sup>	-			0.62		
	Stages	Quantity		24			-		
	Tube type		ø7 Hi-XA						
	Tube material		-						
	Tube diameter		mm	-			7		
	Fin	Type		Waffle fin (PE)			Aluminium (Corrugated)		
	Compressor	Model		1YC23AUXDC					
Type		Hermetically sealed swing compressor							
Output		W	750			-			
Oil Type		-							
Fan	Type			Propeller fan					
	Air flow rate	Cooling	High	m <sup>3</sup> /min	29.2		27.6		-
				cfm	1,030		975		-
			Nom.	m <sup>3</sup> /min	-			50.88	
				cfm	-			1,796	
		Heating	High	m <sup>3</sup> /min	26.2		24.5		-
				cfm	927		865		-
			Nom.	m <sup>3</sup> /min	-			50.88	
				cfm	-			1,796	
	Super low	m <sup>3</sup> /min	-						
		cfm	-						
	Running current	Cooling	Standard	A	-			0.77	
				A	-			0.77	
	Fan motor	Model		D50Q-28					
Index of Protection		-							
Insulation grade		-							
Poles		-							
Output		W	50			61			
Drive		-							
Speed		Cooling	High	rpm	840			-	
				rpm	720			-	
			Super low	rpm	-				
		Heating	High	rpm	840			-	
	rpm			720			-		
	Super low		rpm	-					
Sound power level	Cooling		dBA	60		62		64	65
	Heating		dBA	61		62		-	
Sound pressure level	Cooling	High	dBA	46		48		-	
		Nom.	dBA	-			51		
	Heating	High	dBA	47		48		-	
		Nom.	dBA	-			51		

## 2 Specifications

2-2 Technical Specifications					RXB20C	RXB25C	RXB35C	RXB50C	RXB60C
Operation range	Cooling	Ambient	Min.	°CDB	-10				
			Max.	°CDB	46				
	Heating	Ambient	Min.	°CWB	-15				
			Max.	°CWB	18				
Refrigerant	Type				R-410A				
	Charge			kg	0.74	1.0	1.45		
				TCO <sub>2</sub> eq	1.5	2.1	3.0		
GWP				2,087.5					
Refrigerant oil	Type				FVC50K		-		
	Charged volume			l	0.375		-		
Piping connections	Liquid	Type			-				
		OD	mm		6.35				
	Gas	Type			-				
		OD	mm		9.5		12.70	15.90	
	Drain	ID	mm		-				
		OD	mm		18		-		
	Piping length	OU - IU	Max.	m	-				
		System	Chargeless	m	-				
Heat insulation				Both liquid and gas pipes				-	

2-3 Electrical Specifications					RXB20C	RXB25C	RXB35C	RXB50C	RXB60C
Power supply	Name				V1				
	Phase				1~				
	Frequency			Hz	50				
	Voltage			V	220-240				
Current	Nominal running current (RLA)	Cooling	A	2.34	3.69	5.34	-		
		Heating	A	2.82	3.05	4.52	-		
	Starting current	Cooling	A	3.0	3.7	5.2	-		
		Heating	A	3.0	3.7	5.2	-		
Current - 50Hz	Maximum fuse amps (MFA)			A	16		-		
Current - 60Hz	Maximum fuse amps (MFA)			A	-				

### Notes

SL: The silent fan level of the air flow rate setting

Contains fluorinated greenhouse gases

### 3 Electrical data

#### 3 - 1 Electrical Data

3

#### RXB20-35C

Unit combination restrictions		Power supply				COMP		OFM		IFM		
Indoor	Outdoor	1	2	3	MCA	MFA	RHz	RLA	kW	FLA	kW	FLA
FTXB20C	RXB20C	50 50 50	220 230 240	MAX. 50Hz 264V MIN. 50Hz 198V	13,71	16	36	2,2	0,033	0,17	0,016	0,12
FTXB25C	RXB25C	50 50 50	220 230 240	MAX. 50Hz 264V MIN. 50Hz 198V	13,71	16	48	3,2	0,033	0,17	0,016	0,12
FTXB35C	RXB35C	50 50 50	220 230 240	MAX. 50Hz 264V MIN. 50Hz 198V	13,71	16	70	4,7	0,033	0,17	0,016	0,12

**Notes**

- 1 The RLA is based on the following conditions.  
Indoor temperature 27°C DB / 19°C WB  
Outdoor temperature 35°C DB
- 2 Select the wire size according to the MCA.
- 3 The maximum allowable voltage that is unbalanced between phases is -2%.
- 4 Use a circuit breaker instead of a fuse.

**Symbols**

- |                                |                                    |
|--------------------------------|------------------------------------|
| 1 Hz                           | OFM Outdoor fan motor              |
| 2 Voltage                      | IFM Indoor fan motor               |
| 3 Voltage range                | FLA Full Load Ampere (A)           |
| MCA Minimum Circuit Ampere (A) | kW Fan motor rated output [kW]     |
| MFA Maximum Fuse Ampere (A)    | RHz Rated operating frequency [Hz] |
| RLA Rated load amps [A]        |                                    |

3D092100A

#### RXB50-60C

Representative unit combination		Power supply				Comp.		OFM		IFM	
Indoor unit	Outdoor unit	Hz-volts	Voltage range	MCA	MFA	RHz	RLA	W	FLA	W	FLA
FTXB50CV1B	RXB50CV1B	50 - 220 50 - 230 50 - 240	Max. 50Hz 264V Min. 50Hz 198V	20	20	76	6.34	61	0.77	40	0.32
FTXB60CV1B	RXB60CV1B	50 - 220 50 - 230 50 - 240	Max. 50Hz 264V Min. 50Hz 198V	20	20	82	7.2	61	0.77	40	0.56

ElectricalData\_FTXB-C\_2015-01-29

**SYMBOLS**

- MCA : Min. Circuit Amps. (A)
- MFA : Max. Fuse Amps (A)
- RLA : Rated Load Amps. (A)
- OFM : Outdoor Fan Motor.
- IFM : Indoor Fan Motor.
- FLA : Full Load Amps. (A)
- W : Fan Motor Rated Output (W)
- RHz : Rated operating frequency (Hz)

6



# 4 Capacity tables

## 4 - 1 Cooling/Heating Capacity Tables

### FTXB20C + RXB20C

AFR	9,1
BF	0,24

Cooling 220-240V 50Hz

1	2	3																	
		20			25			30			32			35			40		
		TC	SHC	PI	TC	SHC	PI	TC	SHC	PI	TC	SHC	PI	TC	SHC	PI	TC	SHC	PI
20	14	2,05	1,71	0,44	1,96	1,67	0,48	1,86	1,62	0,52	1,83	1,61	0,54	1,77	1,58	0,56	1,68	1,54	0,60
22	16	2,14	1,68	0,44	2,05	1,64	0,49	1,95	1,60	0,53	1,92	1,59	0,54	1,86	1,56	0,57	1,77	1,52	0,61
25	18	2,23	1,79	0,45	2,14	1,75	0,49	2,05	1,71	0,53	2,01	1,70	0,54	1,95	1,68	0,57	1,86	1,64	0,61
27	19	2,28	1,91	0,45	2,19	1,88	0,49	2,09	1,84	0,53	2,06	1,83	0,55	<b>2,00</b>	<b>1,80</b>	<b>0,51</b>	1,91	1,77	0,61
30	22	2,42	1,85	0,45	2,32	1,82	0,49	2,23	1,79	0,53	2,19	1,78	0,55	2,14	1,76	0,57	2,05	1,73	0,61
32	24	2,51	1,81	0,45	2,42	1,78	0,49	2,32	1,76	0,54	2,29	1,74	0,55	2,23	1,73	0,58	2,14	1,70	0,62

AFR	9,4
-----	-----

Heating 220-240V 50Hz

1	4									
	-10		-5		0		6		10	
	TC	PI	TC	PI	TC	PI	TC	PI	TC	PI
15	1,68	0,51	1,97	0,53	2,25	0,56	2,59	0,59	2,81	0,61
20	1,60	0,52	1,88	0,55	2,16	0,57	<b>2,50</b>	<b>0,60</b>	2,73	0,62
22	1,56	0,53	1,84	0,55	2,13	0,58	2,47	0,61	2,69	0,62
24	1,53	0,53	1,81	0,56	2,09	0,58	2,43	0,61	2,66	0,63
25	1,51	0,54	1,79	0,56	2,07	0,58	2,41	0,61	2,64	0,63
27	1,48	0,54	1,76	0,57	2,04	0,59	2,38	0,62	2,61	0,64

#### Notes

- The capacities are based on the following conditions:  
Corresponding refrigerant piping length: 5.0 m  
Level difference: 0m
- The bold cells indicate the standard conditions.  
Rated operating frequency [Hz]

#### Symbols

- TC: Total capacity [kW]
- PI: Power input [kW]
- SHC: Sensible heat capacity [kW]
- AFR: Air flow rate [m<sup>3</sup>/min]
- BF: Bypass factor

- Indoor air temperature [°C DB]
- Indoor air temperature [°C WB]
- Outdoor air temperature [°C DB]
- Outdoor air temperature [°C WB]

3D093266A

# 4 Capacity tables

## 4 - 1 Cooling/Heating Capacity Tables

4

### FTXB25C + RXB25C

AFR	9,2
BF	0,29

#### Cooling 220-240V 50Hz

1	2	3																	
		20			25			30			32			35			40		
		TC	SHC	PI	TC	SHC	PI	TC	SHC	PI	TC	SHC	PI	TC	SHC	PI	TC	SHC	PI
20	14	2,15	1,72	0,57	2,15	1,72	0,64	2,15	1,72	0,72	2,15	1,72	0,75	2,15	1,72	0,79	2,10	1,69	0,86
22	16	2,68	1,89	0,62	2,56	1,83	0,68	2,44	1,78	0,74	2,40	1,76	0,76	2,33	1,72	0,80	2,21	1,67	0,86
25	18	2,79	1,98	0,63	2,68	1,93	0,68	2,56	1,88	0,74	2,51	1,86	0,77	2,44	1,83	0,80	2,33	1,78	0,86
27	19	2,85	2,09	0,63	2,73	2,04	0,68	2,62	1,99	0,75	2,57	1,97	0,77	<b>2,50</b>	<b>1,94</b>	<b>0,77</b>	2,38	1,90	0,86
30	22	3,02	2,02	0,63	2,91	1,97	0,69	2,79	1,93	0,75	2,74	1,91	0,77	2,67	1,89	0,80	2,56	1,85	0,87
32	24	3,14	1,96	0,64	3,02	1,92	0,69	2,90	1,89	0,75	2,86	1,87	0,78	2,79	1,85	0,81	2,67	1,81	0,87

AFR	9,7
-----	-----

#### Heating 220-240V 50Hz

1	4									
	-10		-5		0		6		10	
	TC	PI	TC	PI	TC	PI	TC	PI	TC	PI
15	1,88	0,59	2,20	0,62	2,52	0,65	2,90	0,68	3,15	0,71
20	1,79	0,61	2,10	0,64	2,42	0,67	<b>2,80</b>	<b>0,70</b>	3,05	0,72
22	1,75	0,62	2,07	0,64	2,38	0,67	2,76	0,71	3,01	0,73
24	1,71	0,62	2,03	0,65	2,34	0,68	2,72	0,71	2,98	0,74
25	1,69	0,62	2,01	0,65	2,32	0,68	2,70	0,72	2,96	0,74
27	1,65	0,63	1,97	0,66	2,29	0,69	2,66	0,72	2,92	0,74

#### Notes

- The capacities are based on the following conditions:  
 Corresponding refrigerant piping length: 5.0 m  
 Level difference: 0m
- The bold cells indicate the standard conditions.  
 Rated operating frequency [Hz]

#### Symbols

- TC: Total capacity [kW]
- PI: Power input [kW]
- SHC: Sensible heat capacity [kW]
- AFR: Air flow rate [m<sup>3</sup>/min]
- BF: Bypass factor

- Indoor air temperature [°C DB]
- Indoor air temperature [°C WB]
- Outdoor air temperature [°C DB]
- Outdoor air temperature [°C WB]

3D093267A

# 4 Capacity tables

## 4 - 1 Cooling/Heating Capacity Tables

### FTXB35C + RXB35C

AFR	9,3
BF	0,25

Cooling 220-240V 50Hz

1	2	3																	
		20			25			30			32			35			40		
		TC	SHC	PI	TC	SHC	PI	TC	SHC	PI	TC	SHC	PI	TC	SHC	PI	TC	SHC	PI
20	14	2,30	1,83	0,72	2,30	1,83	0,82	2,30	1,83	0,90	2,30	1,83	0,93	2,30	1,83	0,97	2,30	1,83	1,04
22	16	3,07	2,11	0,75	3,07	2,11	0,83	3,07	2,11	0,90	3,07	2,11	0,93	3,07	2,11	0,97	2,92	2,04	1,05
25	18	3,68	2,43	0,76	3,53	2,36	0,83	3,38	2,29	0,91	3,32	2,26	0,93	3,22	2,22	0,98	3,07	2,15	1,05
27	19	3,76	2,54	0,76	3,61	2,48	0,84	3,45	2,41	0,91	3,39	2,38	0,94	<b>3,30</b>	<b>2,34</b>	<b>1,03</b>	3,15	2,27	1,05
30	22	3,99	2,45	0,77	3,84	2,39	0,84	3,68	2,32	0,91	3,62	2,30	0,94	3,53	2,27	0,99	3,37	2,21	1,06
32	24	4,14	2,38	0,77	3,99	2,32	0,85	3,83	2,26	0,92	3,77	2,24	0,95	3,68	2,21	0,99	3,53	2,16	1,06

AFR	10,1
-----	------

Heating 220-240V 50Hz

1	4											
			-5		0		6		10			
	TC	PI	TC	PI	TC	PI	TC	PI	TC	PI	TC	PI
15	2,36	0,80	2,75	0,83	3,15	0,87	3,62	0,92	3,94	0,95		
20	2,24	0,82	2,63	0,86	3,03	0,89	<b>3,50</b>	<b>0,94</b>	3,82	0,97		
22	2,19	0,83	2,58	0,86	2,98	0,90	3,45	0,95	3,77	0,98		
24	2,14	0,83	2,53	0,87	2,93	0,91	3,40	0,96	3,72	0,99		
25	2,11	0,84	2,51	0,88	2,90	0,91	3,38	0,96	3,70	0,99		
27	2,07	0,85	2,46	0,89	2,86	0,92	3,33	0,97	3,65	1,00		

Notes

- The capacities are based on the following conditions:  
 Corresponding refrigerant piping length: 5.0 m  
 Level difference: 0m
- The bold cells indicate the standard conditions.  
 Rated operating frequency [Hz]

Symbols

- TC: Total capacity [kW]
- PI: Power input [kW]
- SHC: Sensible heat capacity [kW]
- AFR: Air flow rate [m<sup>3</sup>/min]
- BF: Bypass factor

- Indoor air temperature [°C DB]
- Indoor air temperature [°C WB]
- Outdoor air temperature [°C DB]
- Outdoor air temperature [°C WB]

3D093270A



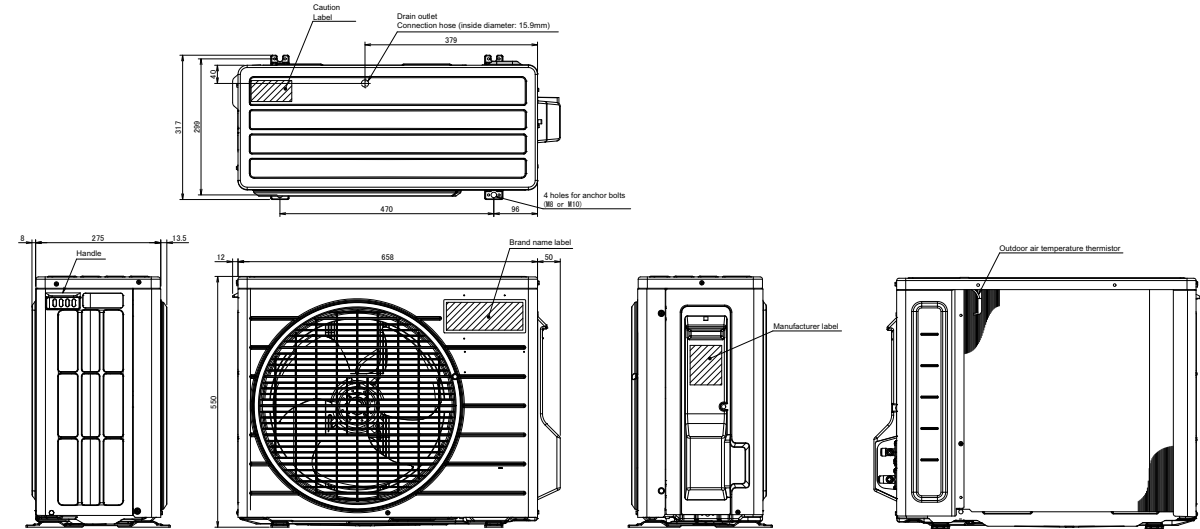


# 5 Dimensional drawings

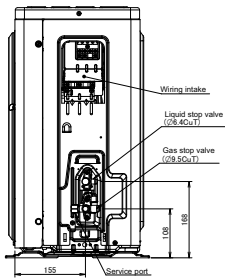
## 5 - 1 Dimensional Drawings

5

RXB20-35C

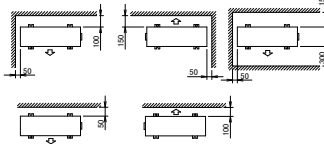


In case of removing the stop valve cover.



Minimum space for air passage.

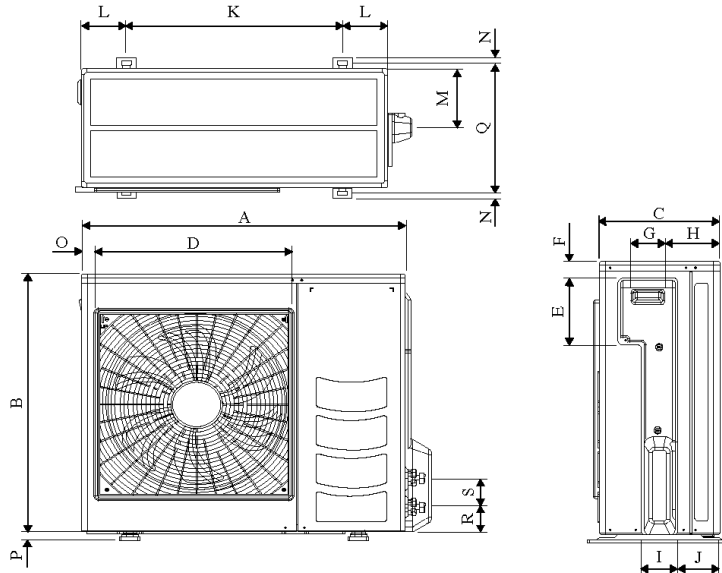
Wall height on air outlet side < 1200 mm



2D090672

RXB50-60C

All dimensions are in mm



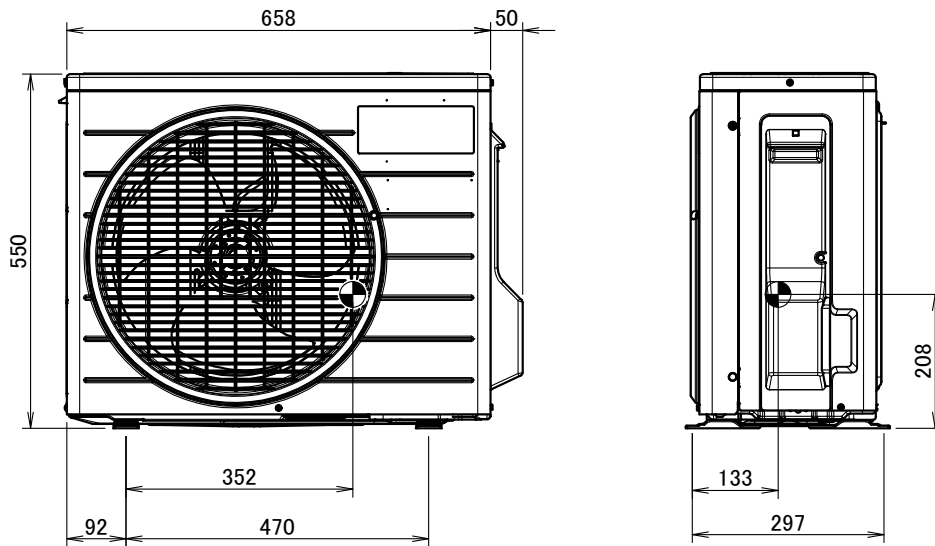
Model	Dimension	A	B	C	D	E	F	G	H	I	J	K	L	M	N	O	P	Q	R	S
RXB50-60C		855	730	328	520	179	46	93	149	101	113	603	126	164	15	34	23	362	73	75

Dimension\_RXB-CV1B\_2015-01-16

## 6 Centre of gravity

### 6 - 1 Centre of Gravity

RXB20-25C

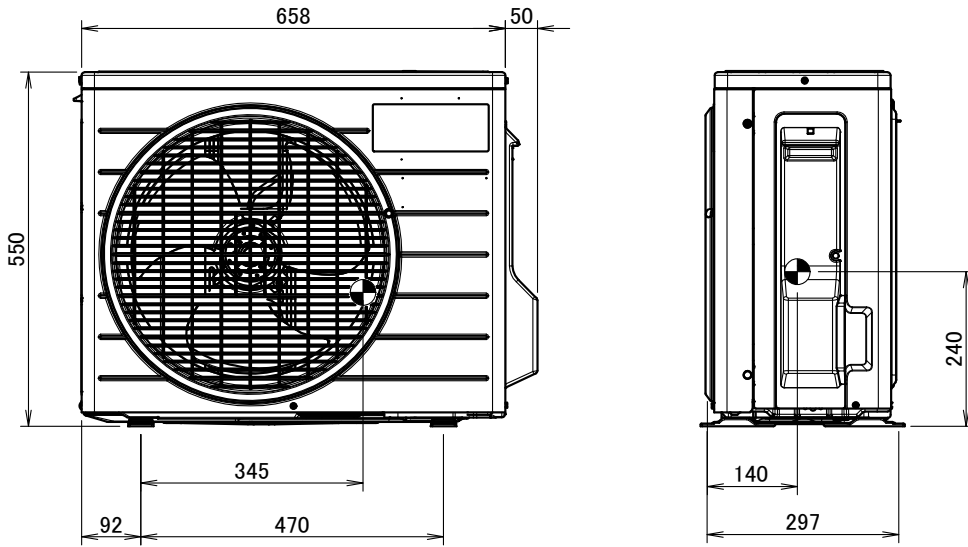


4D092001

## 6 Centre of gravity

### 6 - 1 Centre of Gravity

RXB35C



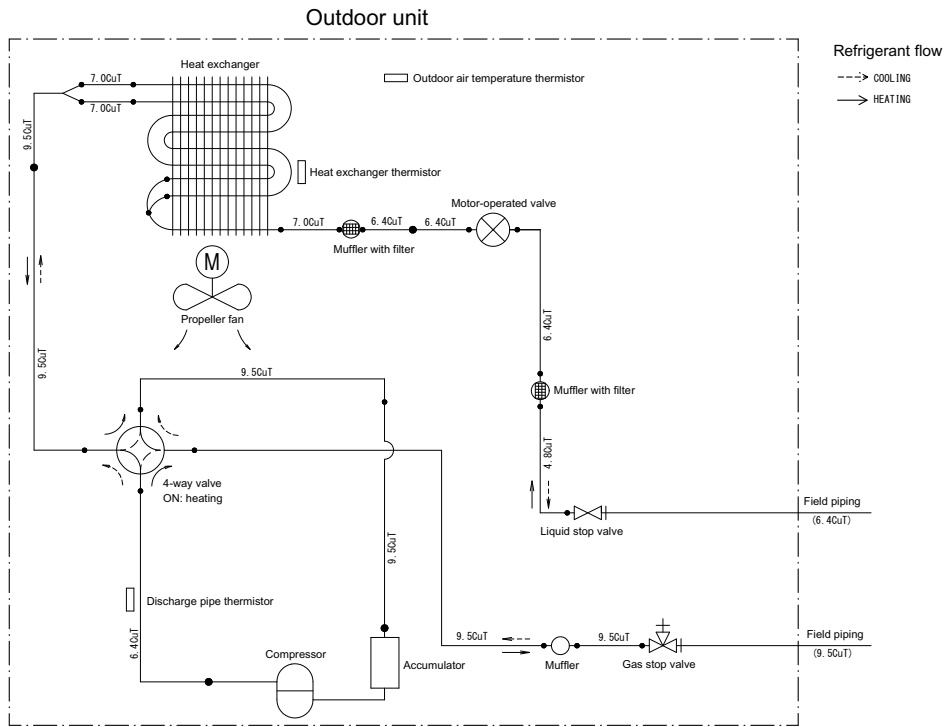
4D092003



# 7 Piping diagrams

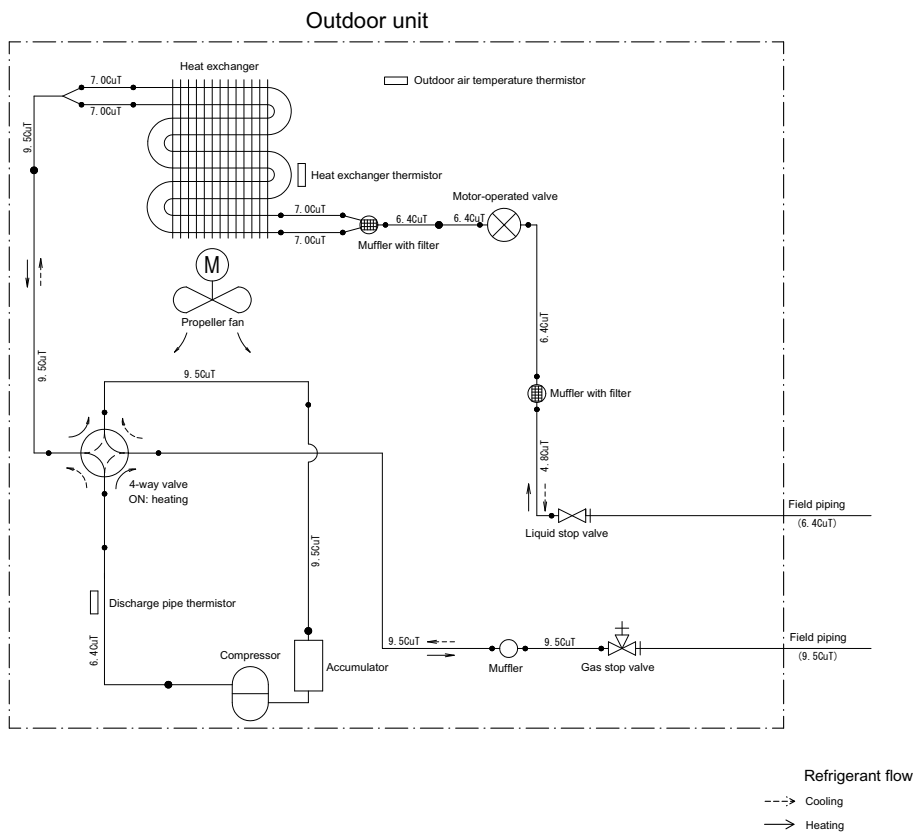
## 7 - 1 Piping Diagrams

RXB20-25C



30090673

RXB35C

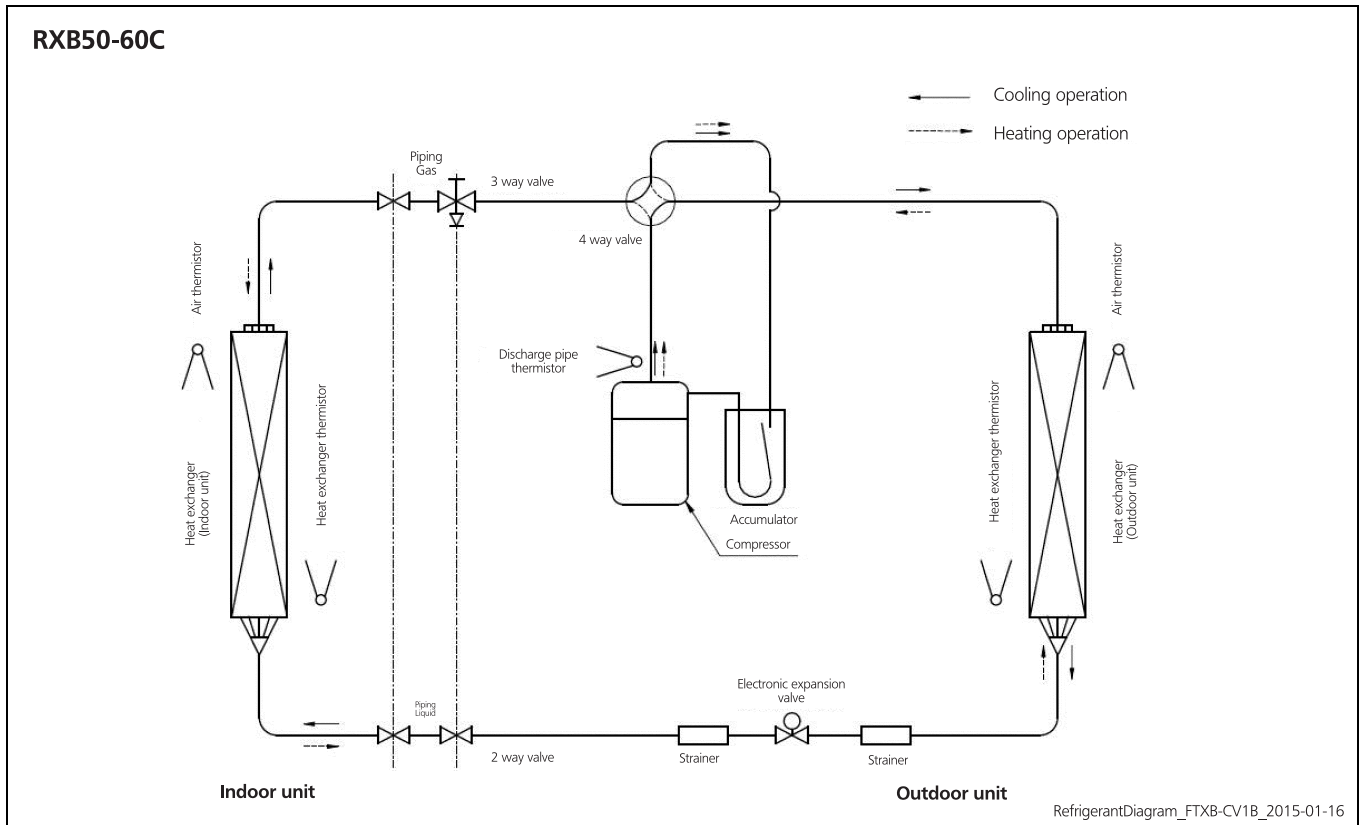


30090674

# 7 Piping diagrams

## 7 - 1 Piping Diagrams

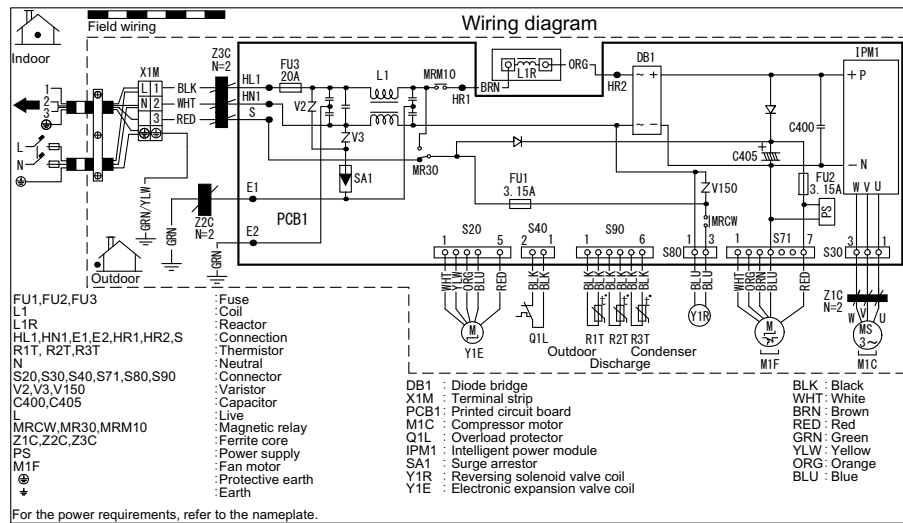
7



# 8 Wiring diagrams

## 8 - 1 Wiring Diagrams - Single Phase

RXB20-35C



### Notes

1. Size: length 80 X width 140.
2. Refer to purchasing specification AS303002, unless otherwise specified.

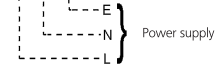
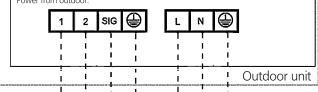
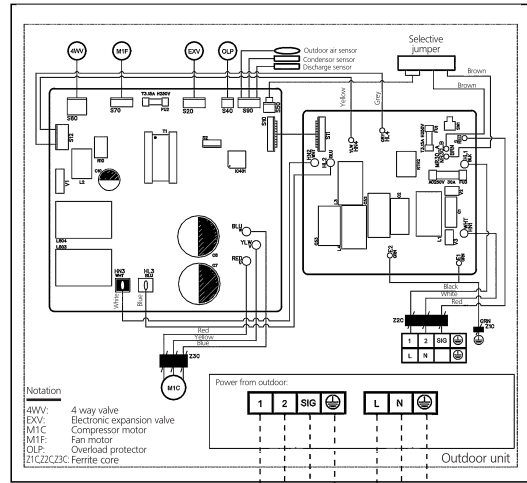
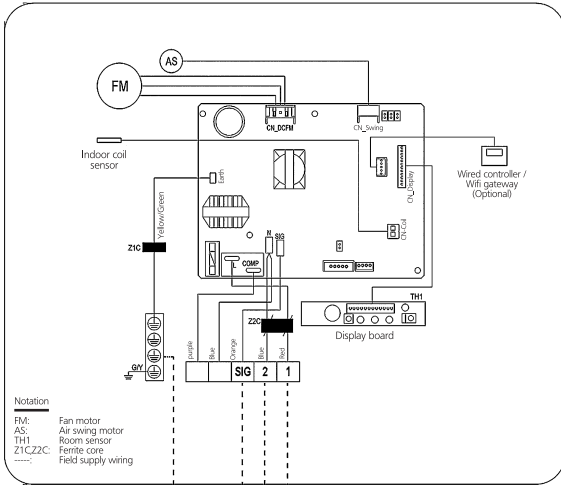
4D090152

# 8 Wiring diagrams

## 8 - 1 Wiring Diagrams - Single Phase

8

### RXB50-60C

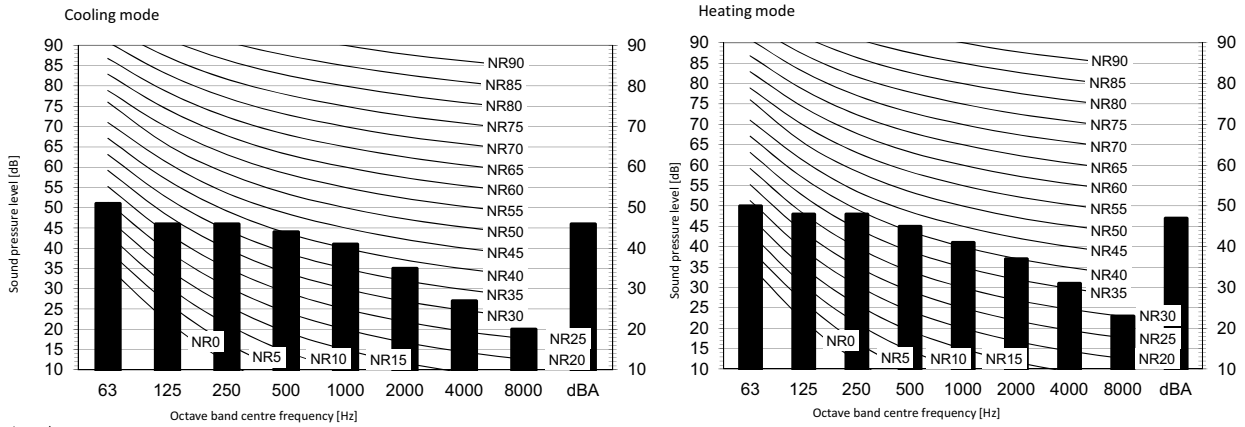


WiringDiagram\_FTXB5060CV1B\_2015-01-26

# 9 Sound data

## 9 - 1 Sound Pressure Spectrum

### RXB20C



Legend

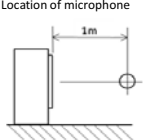
dBA = A-weighted sound pressure level (A scale according to IEC).

A Scale

B High-tap

Low-tap

Location of microphone



Cooling		Total dB
A	B	
dBA	46	

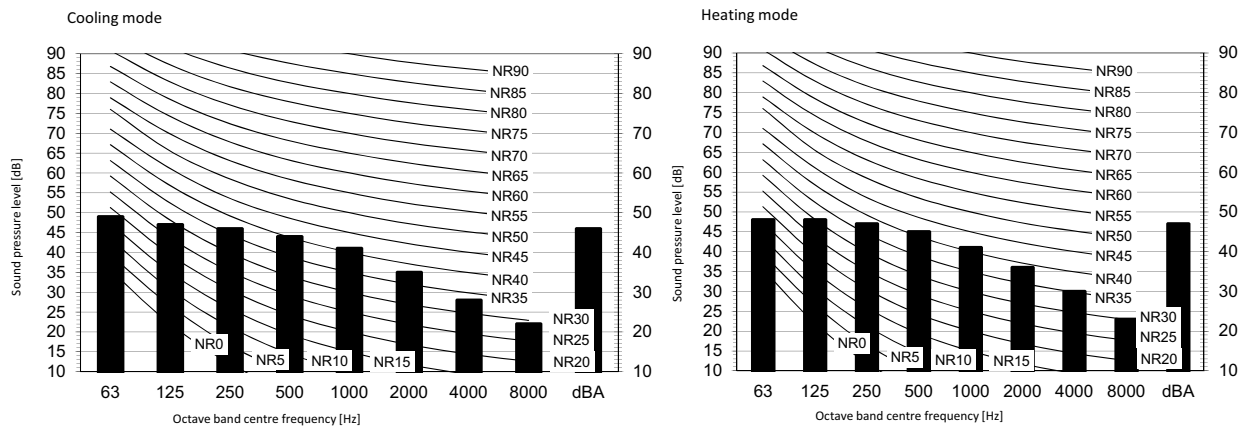
Heating		Total dB
A	B	
dBA	47	

Notes

1. Operating conditions: power source 220-240 V/220 V 50/60 Hz; JIS standard
2. Background noise already taken into account.
3. Operating noise varies depending on operation and ambient conditions.
4. The operation noise measuring method is in accordance with JISC9612.
5. Measuring location: anechoic chamber

3D092072A

### RXB25C



Legend

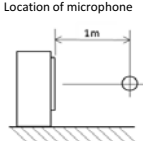
dBA = A-weighted sound pressure level (A scale according to IEC).

A Scale

B High-tap

Low-tap

Location of microphone



Cooling		Total dB
A	B	
dBA	46	

Heating		Total dB
A	B	
dBA	47	

Notes

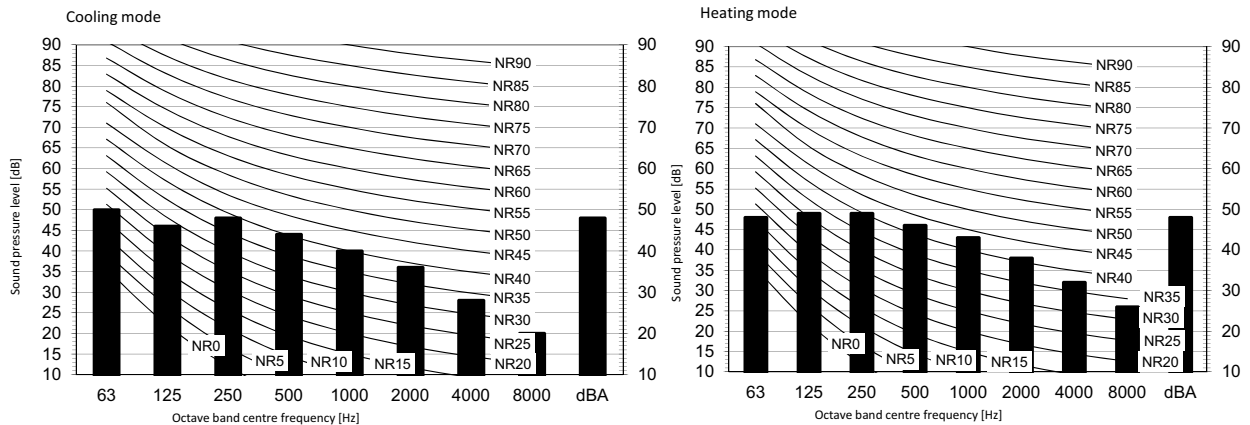
1. Operating conditions: power source 220-240 V/220 V 50/60 Hz; JIS standard
2. Background noise already taken into account.
3. Operating noise varies depending on operation and ambient conditions.
4. The operation noise measuring method is in accordance with JISC9612.
5. Measuring location: anechoic chamber

3D092073A

# 9 Sound data

## 9 - 1 Sound Pressure Spectrum

### RXB35C



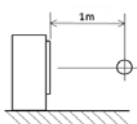
**Legend**

dB(A) = A-weighted sound pressure level (A scale according to IEC).

A Scale

B High-tap  
 Low-tap

Location of microphone



Cooling		Total dB
A	B	
dB(A)		48

Heating		Total dB
A	B	
dB(A)		48

**Notes**

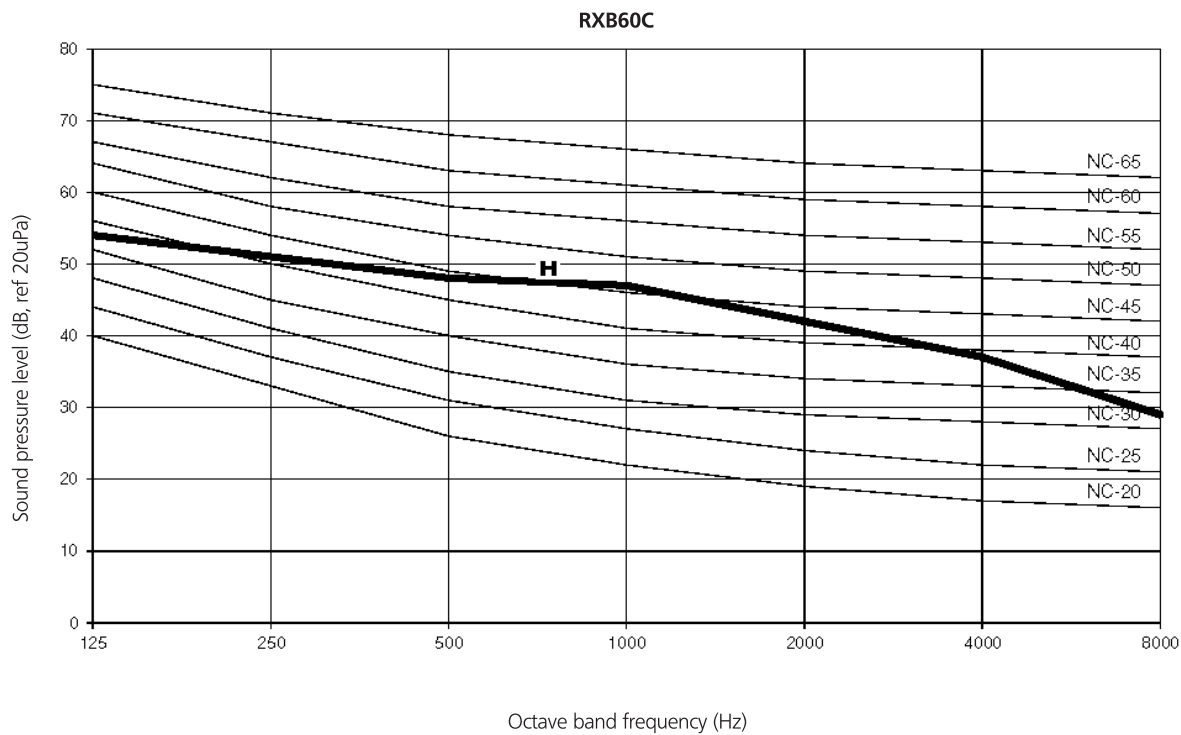
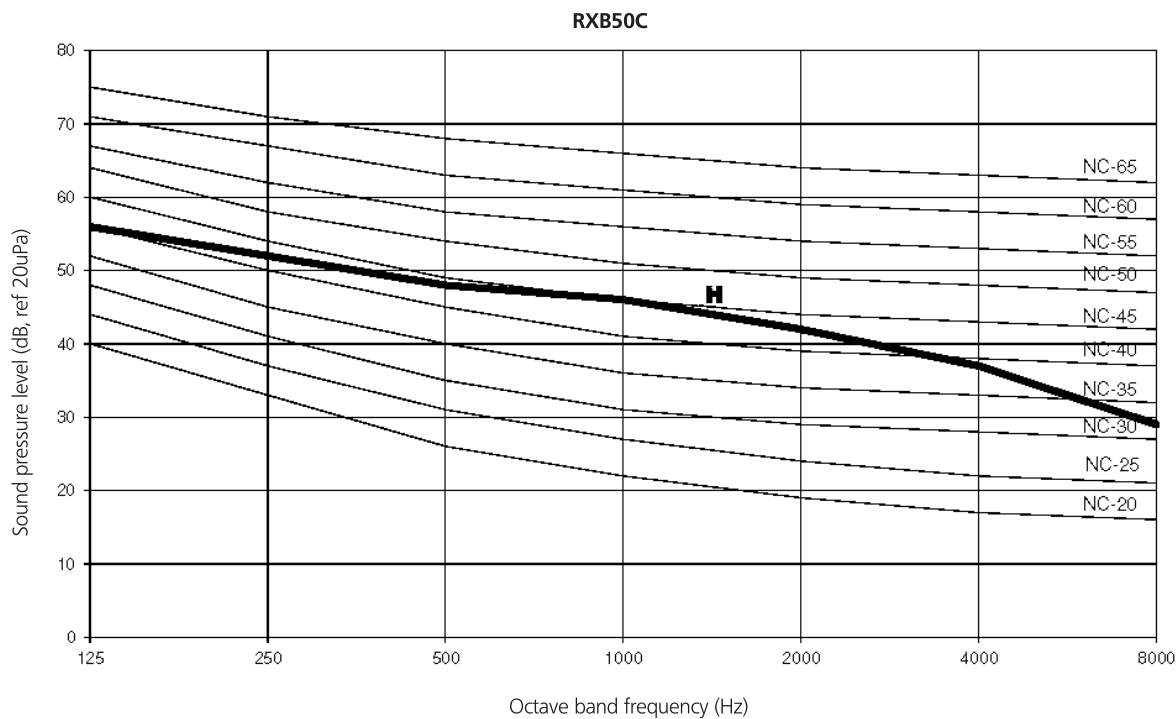
1. Operating conditions: power source 220-240 V/220 V 50/60 Hz; JIS standard
2. Background noise already taken into account.
3. Operating noise varies depending on operation and ambient conditions.
4. The operation noise measuring method is in accordance with JISC9612.
5. Measuring location: anechoic chamber

3D092074A

# 9 Sound data

## 9 - 1 Sound Pressure Spectrum

RXB50-60C



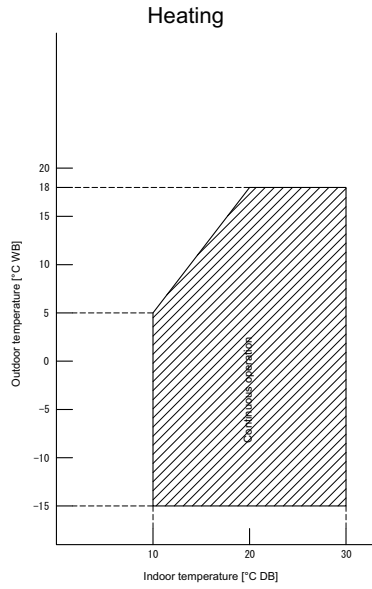
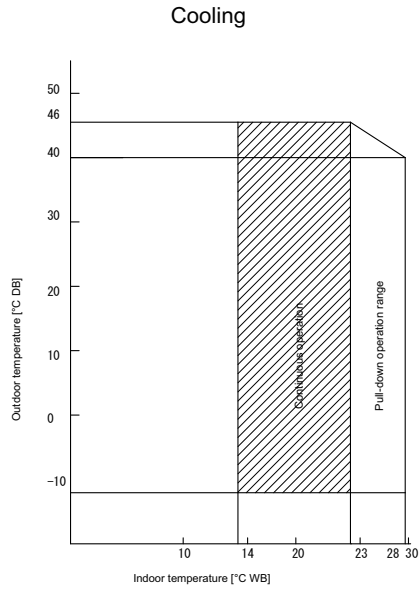
NcCurve\_RXB-CV1B\_2015-01-16

# 10 Operation range

## 10 - 1 Operation Range

10

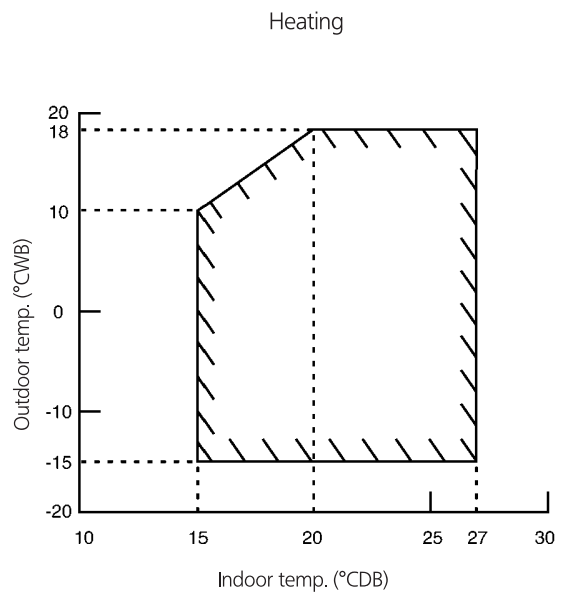
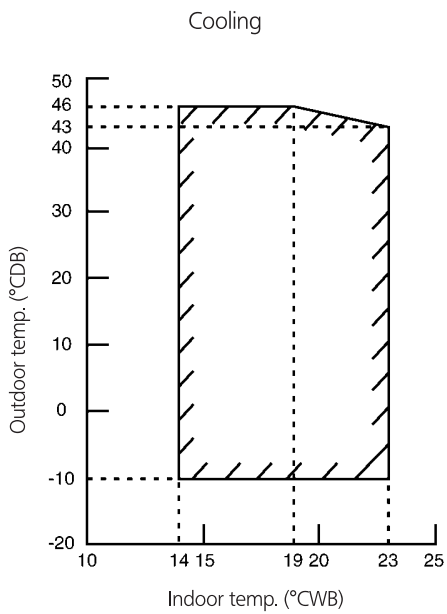
RXB20-35C



Notes  
 The graphs is based on the following conditions.  
 Corresponding refrigerant piping length: 5 m  
 Level difference: 0m  
 Air flow rate High

3D091960A

RXB50-60C



DB: Dry bulb  
 WB: Wet bulb

OperatingRange\_FTXB-CV1B\_2015-01-16





Daikin Europe N.V. participates in the Eurovent Certification programme for Liquid Chilling Packages (LCP), Air handling units (AHU), Fan coil units (FCU) and variable refrigerant flow systems (VRF) Check ongoing validity of certificate online: [www.eurovent-certification.com](http://www.eurovent-certification.com) or using: [www.certiflash.com](http://www.certiflash.com)

The present leaflet is drawn up by way of information only and does not constitute an offer binding upon Daikin Europe N.V.. Daikin Europe N.V. has compiled the content of this leaflet to the best of its knowledge. No express or implied warranty is given for the completeness, accuracy, reliability or fitness for particular purpose of its content and the products and services presented therein. Specifications are subject to change without prior notice. Daikin Europe N.V. explicitly rejects any liability for any direct or indirect damage, in the broadest sense, arising from or related to the use and/or interpretation of this leaflet. All content is copyrighted by Daikin Europe N.V.

**BARCODE**

Daikin products are distributed by: