



Air Conditioning Technical Data

Multi model application



EEDEN12-100

MXS-H

TABLE OF CONTENTS

MXS-H

1	Features	2
2	Specifications	3
	Technical Specifications	3
	Electrical Specifications	4
3	Electrical data	5
	Electrical Data	5
4	Combination table	7
	Combination Table	7
5	Capacity tables	10
	Capacity Table Legend	10
	Cooling Capacity Tables	11
	Heating Capacity Tables	25
6	Dimensional drawings	39
	Dimensional Drawings	39
7	Centre of gravity	40
	Centre of Gravity	40
8	Piping diagrams	41
	Piping Diagrams	41
9	Wiring diagrams	42
	Wiring Diagrams - Single Phase	42
10	Sound data	44
	Sound Pressure Spectrum	44
11	Operation range	45
	Operation Range	45

1 Features

- Outdoor units for multi model application.
- Up to 2 indoor units can be connected to 1 Multi outdoor unit; all indoor units are individually controllable and do not need to be installed in the same room or at the same time; they operate simultaneously within the same cooling or heating mode
- Different types of indoor units can be connected: e.g. wall mounted, ceiling mounted cassette corner, concealed ceiling unit
- The use of inverter type outdoor units results in an air conditioning system with a high energy efficiency and very low sound level
- Outdoor units are fitted with a swing compressor, renowned for its low noise and high energy efficiency
- Daikin outdoor units are neat, sturdy and can easily be mounted on a roof or terrace or simply placed against an outside wall

1



2 Specifications

2-1 Technical Specifications					2MXS40H		2MXS50H	
Casing	Colour				Ivory white			
Dimensions	Unit	Height	mm		550			
		Width	mm		765			
		Depth	mm		285			
	Packed unit	Height	mm		612			
		Width	mm		906			
Depth		mm		364				
Weight	Unit		kg	38		42		
	Packed unit		kg	43		47		
Packing	Weight		kg	5				
Heat exchanger	Length		mm	805		810		
	Rows	Quantity		2				
	Fin pitch		mm	1.5				
	Stages	Quantity		24				
	Tube type				ø7 Hi-XD		ø8 Hi-XA	
	Fin	Type		WF fin				
		Treatment		Anti-corrosion treatment				
Fan	Type				Propeller fan			
	Air flow rate	Cooling	High	m ³ /min	36		37	
				cfm	1,271		1,306	
			Nom.	m ³ /min	33		34	
				cfm	1,165		1,200	
			Low	m ³ /min	30		34	
		cfm		1,059		1,200		
		Super low	m ³ /min	-		-		
			cfm	-		-		
		Heating	High	m ³ /min	32		34	
				cfm	1,130		1,200	
	Nom.		m ³ /min	32		34		
			cfm	1,130		1,200		
	Low		m ³ /min	32		34		
		cfm	1,130		1,200			
Super low	m ³ /min	-		-				
	cfm	-		-				
Fan motor	Model				D50M-28			
	Output			W	50			
	Speed	Cooling	High	rpm	900		950	
				rpm	840		890	
			Low	rpm	760		890	
				rpm	-		-	
		Heating	High	rpm	820		890	
rpm				820		890		
Low			rpm	820		890		
			rpm	-		-		
Sound power level	Cooling	Nom.	dBA	62		63		
			Sound pressure level	Cooling	Nom.	dBA	47	
						Heating	Nom.	dBA
Compressor	Model				1YC23AGXD			2YC36BXD#C
	Type				Hermetically sealed swing compressor			
	Output			W	600		1,100	
Operation range	Cooling	Ambient	Min.	°CDB	10			
			Max.	°CDB	46			
	Heating	Ambient	Min.	°CWB	-15			
			Max.	°CWB	15.5			
Refrigerant	Type				R-410A			
	Charge			kg	1.20		1.60	

2 Specifications

2

2-1 Technical Specifications					2MXS40H		2MXS50H		
Refrigerant oil	Type				FVC50K				
	Charged volume			l	0.45		0.65		
Piping connections	Liquid	Quantity			2				
		OD			mm	6.35			
	Gas	Quantity			2		1		
		OD			mm	9.5			
	Drain	Quantity			1				
		ID			mm	-			
		OD			mm	18			
	Gas 2	Quantity			-		1		
		OD			mm	-		12.7	
	Piping length	OU - IU	Min.	m	3				
			Max.	m	20				
	Level difference	IU - OU	Max.	m	15				
IU - IU		Max.	m	7.5					
Heat insulation					Both liquid and gas pipes				
Total piping length	System	Actual	m	30					

2-2 Electrical Specifications					2MXS40H		2MXS50H	
Power supply	Phase				1~			
	Frequency			Hz	50			
	Voltage			V	220-240			
Current	Starting current	Cooling	A	4.6		6.3		
		Heating	A	4.6		6.3		
Wiring connections	For power supply	Remark			3 for power supply, 4 for interunit wiring (including earth wiring)			

3 Electrical data

3 - 1 Electrical Data

2MXS40H

Model		Units				Power supply		Comp.		OFM	
Outdoor	H/P C/O	Hz	Volts	Min.	Max.	MCA	MFA	MSC	RLA	W	FLA
2MXS40H2V1B	H/P	50	220	198	242	9.7	16	4.6	4.20	40	0.17
			230	207	253			4.6	4.20		
			240	216	264			4.6	4.22		

3D063342

SYMBOLS

- MCA : Min. Circuit Amps. (A)
- MFA : Max. Fuse Amps (see note 6). (A)
- MSC : Max. current during the starting compressor. (A)
- RLA : Rated Load Amps. (A)
- OFM : Outdoor Fan Motor. (A)
- FLA : Full Load Amps. (A)
- W : Fan Motor Rated Output. (W)

NOTES

1. RLA is based on the following conditions:
Cooling
Indoor temp.: 27°CDB/19.0°CWB
Outdoor temp.: 35°CDB
2. Voltage range.
Units are suitable for use on electrical systems where voltage supplied to unit terminal is not below or above listed range limits.
3. Maximum allowable voltage variation between phases is 2%.
4. MCA represents maximum input current.
MFA represents capacity which may accept MCA.
5. Select wire size based on the value of MCA.
6. MFA is used to select the circuit breaker and the ground fault circuit interrupter. (Earth leakage circuit breaker).

3 Electrical data

3 - 1 Electrical Data

2MXS50H

Model		Units				Power supply		Comp.		OFM	
Outdoor	H/P C/O	Hz	Volts	Min.	Max.	MCA	MFA	MSC	RLA	W	FLA
2MXS50H2V1B	H/P	50	220	198	242	10.9	16	6.3	5.84	42	0.18
			230	207	253			6.3	5.85		
			240	216	264			6.3	5.86		

3D063343

SYMBOLS

MCA : Min. Circuit Amps. (A)
 MFA : Max. Fuse Amps (see note 6). (A)
 MSC : Max. current during the starting compressor. (A)
 RLA : Rated Load Amps. (A)
 OFM : Outdoor Fan Motor. (A)
 FLA : Full Load Amps. (A)
 W : Fan Motor Rated Output. (W)

NOTES

1. RLA is based on the following conditions:
 Cooling
 Indoor temp.: 27°CDB/19.0°CWB
 Outdoor temp.: 35°CDB
2. Voltage range.
 Units are suitable for use on electrical systems where voltage supplied to unit terminal is not below or above listed range limits.
3. Maximum allowable voltage variation between phases is 2%.
4. MCA represents maximum input current.
 MFA represents capacity which may accept MCA.
5. Select wire size based on the value of MCA.
6. MFA is used to select the circuit breaker and the ground fault circuit interrupter.
 (Earth leakage circuit breaker).

4 Combination table

4 - 1 Combination Table

2MXS40H

Cooling (50Hz 230V)

Outdoor unit	Combination of indoor unit	Capacity of each indoor unit									
		Each capacity (kW)		Total capacity (kW)		Total input (W)		Total current (A)		Power factor (%)	
		A room	B room	Rating	(min. ~ max.)	Rating	(min. ~ max.)	Rating	(min. ~ max.)	Rating	
2MXS40H2V1B	1.5	1.50	---	1.50	1.22 ~ 1.59	330	320 ~ 350	1.5	1.5 ~ 1.6	94	
	2.0	2.00	---	2.00	1.50 ~ 2.40	440	330 ~ 570	2.0	1.5 ~ 2.6	94	
	2.5	2.50	---	2.50	1.50 ~ 3.00	610	330 ~ 800	2.8	1.5 ~ 3.7	94	
	3.5	3.50	---	3.50	1.50 ~ 4.00	1050	330 ~ 1360	4.8	1.5 ~ 6.2	95	
	1.5+1.5	1.50	1.50	3.00	1.75 ~ 3.57	660	350 ~ 830	3.1	1.6 ~ 3.8	94	
	1.5+2.0	1.50	2.00	3.50	1.75 ~ 3.96	810	350 ~ 990	3.7	1.6 ~ 4.6	94	
	1.5+2.5	1.50	2.50	4.00	1.75 ~ 4.22	1020	350 ~ 1120	4.7	1.6 ~ 5.2	94	
	1.5+3.5	1.20	2.80	4.00	1.75 ~ 4.34	990	350 ~ 1140	4.6	1.6 ~ 5.3	94	
	2.0+2.0	2.00	2.00	4.00	1.75 ~ 4.20	1040	310 ~ 1120	4.8	1.4 ~ 5.2	94	
	2.0+2.5	1.85	2.15	4.00	1.75 ~ 4.30	1030	310 ~ 1170	4.8	1.4 ~ 5.4	94	
	2.0+3.5	1.75	2.25	4.00	1.75 ~ 4.50	1000	310 ~ 1230	4.6	1.4 ~ 5.7	94	
	2.5+2.5	2.00	2.00	4.00	1.75 ~ 4.40	1020	310 ~ 1230	4.7	1.4 ~ 5.7	94	
	2.5+3.5	1.80	2.20	4.00	1.75 ~ 4.60	990	310 ~ 1310	4.6	1.4 ~ 6.1	94	

Heating (50Hz 230V)

Outdoor unit	Combination of indoor unit	Capacity of each indoor unit									
		Each capacity (kW)		Total capacity (kW)		Total input (W)		Total current (A)		Power factor (%)	
		A room	B room	Rating	(min. ~ max.)	Rating	(min. ~ max.)	Rating	(min. ~ max.)	Rating	
2MXS40H2V1B	1.5	2.60	---	2.60	1.10 ~ 3.42	700	290 ~ 1190	3.2	1.3 ~ 5.5	94	
	2.0	3.00	---	3.00	1.10 ~ 3.70	850	290 ~ 1270	3.9	1.3 ~ 5.9	94	
	2.5	3.40	---	3.40	1.10 ~ 4.10	1060	290 ~ 1520	4.9	1.3 ~ 7.0	95	
	3.5	3.80	---	3.80	1.10 ~ 4.40	1290	290 ~ 1730	5.9	1.3 ~ 7.9	95	
	1.5+1.5	1.90	1.90	3.80	1.30 ~ 4.26	900	300 ~ 1110	4.1	1.4 ~ 5.1	95	
	1.5+2.0	1.71	2.29	4.00	1.30 ~ 4.44	950	300 ~ 1150	4.3	1.4 ~ 5.3	95	
	1.5+2.5	1.58	2.63	4.20	1.30 ~ 4.58	1020	300 ~ 1220	4.7	1.4 ~ 5.6	95	
	1.5+3.5	1.32	3.08	4.40	1.30 ~ 4.70	1090	290 ~ 1200	5.0	1.3 ~ 5.5	95	
	2.0+2.0	2.10	2.10	4.20	1.40 ~ 4.60	1010	270 ~ 1170	4.6	1.2 ~ 5.4	95	
	2.0+2.5	2.10	2.30	4.40	1.40 ~ 4.70	1080	270 ~ 1210	4.9	1.2 ~ 5.5	96	
	2.0+3.5	2.00	2.40	4.40	1.40 ~ 4.70	1060	260 ~ 1190	4.8	1.2 ~ 5.4	96	
	2.5+2.5	2.20	2.20	4.40	1.40 ~ 4.70	1070	270 ~ 1200	4.8	1.2 ~ 5.4	96	
	2.5+3.5	2.05	2.35	4.40	1.40 ~ 4.70	1050	260 ~ 1180	4.8	1.2 ~ 5.3	96	

3D074973

NOTES - ANMERKUNGEN - ΣΗΜΕΙΩΣΕΙΣ - NOTAS - REMARQUES - NOTE OPMERKINGEN - ПРИМЕЧАНИЯ - NOTLAR

- Cooling capacity is based on 27°CDB / 19°CWB (indoor temperature), 35°CDB (outdoor temperature). Heating capacity is based on 20°CDB (indoor temperature), 7°CDB/6°CWB (outdoor temperature).
Kühlleistungen basieren sich auf 27°CCTK / 19°CWK (Innen Temperatur), 35°CCTK (Außen Temperatur). Heizleistungen basieren sich auf 20°CCTK (Innen Temperatur), 7°CCTK / 6°CWK (Außen Temperatur).
Η ψυκτική απόδοση βασίζεται σε 27°CDB / 19°CWB (θερμοκρασία εσωτερικού χώρου), 35°CDB (εξωτερική θερμοκρασία). Η θέρμαντική απόδοση βασίζεται σε 20°CDB (θερμοκρασία εσωτερικού χώρου), 7°CDB / 6°CWB (εξωτερική θερμοκρασία).
La capacità di raffreddamento nominale si basa su una temperatura interna di 27°CBS / 19°CWB, una temperatura esterna di 35°CBS.
La capacità di riscaldamento nominale si basa su una temperatura interna di 20°CBS, una temperatura esterna di 7°CBS / 6°CWB.
Les puissances frigorifiques nominales sont basées sur une température intérieure de 27°CBS / 19°CWB et une température extérieure de 35°CBS.
Les puissances calorifiques nominales sont basées sur une température intérieure de 20°CBS, et une température extérieure de 7°CBS / 6°CWB.
La capacidad de refrigeración se basa en una temperatura interior de 27°CBS / 19°CWB, una temperatura exterior de 35°CBS.
La capacidad de calefacción nominal se basa en una temperatura interior de 20°CBS, una temperatura exterior de 7°CBS / 6°CWB.
Koelcapaciteit op basis van 27°CDB / 19°CWB binnentemperatuur, 35°CDB buitentemperatuur. Verwarmingscapaciteit op basis van 20°CDB binnentemperatuur, 7°CDB / 6°CWB buitentemperatuur.
Мощность охлаждения основана на 27°CDB / 19°CWB (температура внутри помещения), 35°CDB (температура наружного воздуха).
Мощность обогрева основана на 20°CDB (температура внутри помещения), 7°CDB / 6°CWB (температура наружного воздуха).
Soğutma kapasitesi 27°C KT / 19°C YT (iç sıcaklık), 35°C KT (dış sıcaklık) esas almaktadır. Isıtma kapasitesi 20°C KT (iç sıcaklık), 7°C KT / 6°C YT (dış sıcaklık) esas almaktadır.
- The total ability of connected a indoor unit is up to 6.0kW
Die Anzahl der maximal anschließbaren Inneneinheiten beträgt 6,0kW
Η συνολική ικανότητα μιας συνδεδεμένης εσωτερικής μονάδας είναι μέχρι 6,0kW
La capacità totale di un'unità interna collegata è pari a 6,0kW
La puissance totale des unités raccordées est de 6,0kW
La capacidad total de conexión de una unidad interior es de hasta 6,0kW
Het totale aansluitvermogen van een binnenumit bedraagt 6,0kW
Общая мощность подсоединяемого внутреннего блока составляет до 6,0кВт
Bağlanan iç ünitlerin toplam kapasitesi 6,0kW
- It is impossible to connect the indoor unit for one room only.
Es ist nicht möglich, nur das Innengerät für einen Raum anzuschließen.
Είναι αδύνατη η σύνδεση της εσωτερικής μονάδας μόνο για ένα δωμάτιο.
È impossibile collegare l'unità interna solo per una stanza.
Il est impossible de connecter l'unité intérieure pour une seule pièce uniquement.
No es posible conectar la unidad interior en sólo un ambiente.
De binnenunit kan niet voor een enkele kamer worden aangesloten.
Невозможно подсоединить внутренний блок только для одного помещения.
Sadece bir oda için iç ünite bağlamak mümkün değildir.
- The above is the value for connecting with the following indoor units. 1.5; 2.0; 2.5; 3.5kW class; wall mounted K series.
Der obige Wert gilt für den Anschluss an die folgenden Innengeräte. Klasse 1,5; 2,0; 2,5; 3,5kW Wandgerät vom Typ K.
Η παραπάνω είναι τιμή για σύνδεση με τις παρακάτω εσωτερικές μονάδες. Κατηγορία 1,5; 2,0; 2,5; 3,5kW επίτοιχη σειρά K.
El valor anterior es válido para la conexión con las unidades interiores siguientes. Clase 1,5; 2,0; 2,5; 3,5kW unidad de pared de la serie K.
La valeur ci-avant est la valeur pour la connexion aux unités intérieures suivantes. Série murale K, classe 1,5; 2,0; 2,5; 3,5kW.
Il valore indicato in alto si riferisce al collegamento delle seguenti unità interne. Classe 1,5; 2,0; 2,5; 3,5kW serie a parete K.
Bovenstaande waarde is de waarde voor verbinding met de volgende binnenumits. Klasse 1,5; 2,0; 2,5; 3,5kW reeks K voor wandmontage.
Значение выше является значением для подсоединения со следующими внутренними блоками. Класс 1,5; 2,0; 2,5; 3,5кВт настенный блок серии K.
Yukarıdaki değer aşağıdaki iç ünitlerle bağlantı içinidir. 1,5; 2,0; 2,5; 3,5kW sınıfı; duvar tipi K serisi.
- Capacities are based on the following conditions.
- Corresponding refrigerant piping length: 5m
- Level difference: 0m
Die Kapazität basiert auf den folgenden Bedingungen:
- Entsprechende Kältemittelrohrlänge: 5m
- Höhenunterschied: 0m
Οι αποδόσεις βασίζονται στις ακόλουθες συνθήκες.
- Αντίστοιχο μήκος σωληνώσεων ψυκτικού: 5m
- Υψομετρική διαφορά :0m
Las capacidades se basan en las siguientes condiciones.
- Longitud de tubería de refrigerante equivalente : 5m
- Diferencia de nivel: 0m
Les puissances sont basées sur les conditions suivantes.
- Longueur de tuyauterie correspondante du réfrigérant : 5m
- Dénivellation: 0m
Le capacità si basano sulle seguenti condizioni.
- Lunghezza equivalente delle tubazioni del refrigerante: 5m
- Dislivello: 0m
De capaciteit is gebaseerd op de volgende situatie.
- Overeenstemmende leidinglengte koelvloeistof: 5m
- Niveaueverschil: 0m
Данные мощности основаны на следующих условиях.
- Соответствующая длина трубы охлаждения: 5m
- Разность уровней - 0m
Kapasiteler aşağıdaki koşullara bağlıdır
- İlgili soğutucu boru uzunluğu: 5m
- Seviye farkı: 0m

4 Combination table

4 - 1 Combination Table

2MXS50H

Cooling (50Hz 230V)

Outdoor unit	Combination of indoor unit	Capacity of each indoor unit									
		Each capacity (kW)		Total capacity (kW)		Total input (W)		Total current (A)		Power factor (%)	
		A room	B room	Rating	(min. ~ max.)	Rating	(min. ~ max.)	Rating	(min. ~ max.)	Rating	
2MXS50H2V1B	1.5	1.50	---	1.50	1.22 ~ 1.99	290	280 ~ 410	1.4	1.3 ~ 2.0	91	
	2.0	2.00	---	2.00	1.30 ~ 2.60	390	300 ~ 580	1.9	1.4 ~ 2.8	91	
	2.5	2.50	---	2.50	1.30 ~ 3.10	560	300 ~ 800	2.7	1.4 ~ 3.8	91	
	3.5	3.50	---	3.50	1.30 ~ 4.00	940	300 ~ 1240	4.5	1.4 ~ 5.9	91	
	4.2	4.20	---	4.20	1.60 ~ 4.70	1380	320 ~ 1850	6.6	1.5 ~ 8.8	91	
	5.0	5.00	---	5.00	1.60 ~ 5.10	1940	320 ~ 2070	9.3	1.5 ~ 9.9	91	
	1.5+1.5	1.50	1.50	3.00	1.88 ~ 3.15	550	330 ~ 580	2.6	1.6 ~ 2.8	91	
	1.5+2.0	1.50	2.00	3.50	1.88 ~ 3.73	670	320 ~ 750	3.2	1.5 ~ 3.6	91	
	1.5+2.5	1.50	2.50	4.00	1.88 ~ 4.23	870	320 ~ 970	4.2	1.5 ~ 4.6	91	
	1.5+3.5	1.50	3.50	5.00	1.88 ~ 5.00	1350	320 ~ 1350	6.5	1.5 ~ 6.5	91	
	1.5+4.2	1.32	3.68	5.00	1.95 ~ 5.37	1350	340 ~ 1670	6.5	1.6 ~ 8.0	91	
	1.5+5.0	1.15	3.85	5.00	1.95 ~ 5.50	1350	340 ~ 1810	6.5	1.6 ~ 8.6	91	
	2.0+2.0	2.00	2.00	4.00	1.95 ~ 5.00	870	340 ~ 1360	4.2	1.6 ~ 6.5	91	
	2.0+2.5	2.00	2.50	4.50	1.95 ~ 5.10	1070	340 ~ 1450	5.1	1.6 ~ 6.9	91	
	2.0+3.5	1.82	3.18	5.00	1.95 ~ 5.40	1350	340 ~ 1620	6.5	1.6 ~ 7.7	91	
	2.0+4.2	1.61	3.39	5.00	1.95 ~ 5.50	1340	340 ~ 1730	6.4	1.6 ~ 8.3	91	
	2.0+5.0	1.43	3.57	5.00	1.95 ~ 5.50	1310	340 ~ 1710	6.3	1.6 ~ 7.7	91	
	2.5+2.5	2.50	2.50	5.00	1.95 ~ 5.30	1380	340 ~ 1610	6.6	1.6 ~ 7.7	91	
	2.5+3.5	2.08	2.92	5.00	1.95 ~ 5.40	1340	340 ~ 1610	6.4	1.6 ~ 7.7	91	
	2.5+4.2	1.87	3.13	5.00	1.95 ~ 5.50	1330	340 ~ 1720	6.4	1.6 ~ 8.2	91	
	2.5+5.0	1.67	3.33	5.00	1.95 ~ 5.50	1300	340 ~ 1700	6.2	1.6 ~ 8.1	91	
	3.5+3.5	2.50	2.50	5.00	1.98 ~ 5.40	1290	340 ~ 1550	6.2	1.6 ~ 7.4	91	
	3.5+4.2	2.27	2.73	5.00	1.98 ~ 5.50	1280	340 ~ 1650	6.1	1.6 ~ 7.9	91	
	3.5+5.0	2.06	2.94	5.00	1.98 ~ 5.50	1270	340 ~ 1620	6.1	1.6 ~ 7.7	91	
	4.2+4.2	2.50	2.50	5.00	1.98 ~ 5.50	1270	340 ~ 1620	6.1	1.6 ~ 7.7	91	

3D074974

NOTES - ANMERKUNGEN - ΣΗΜΕΙΩΣΕΙΣ - NOTAS - REMARQUES - NOTE OPMERKINGEN - ПРИМЕЧАНИЯ - NOTLAR

1 Cooling capacity is based on 27°CDB / 19°CWB (indoor temperature), 35°CDB (outdoor temperature). Heating capacity is based on 20°CDB (indoor temperature), 7°CDB/6°CWB (outdoor temperature).
Kühlleistungen basieren sich auf 27°CCTK / 19°CWK (Innentemperatur), 35°CCTK (Außentemperatur). Heizleistungen basieren sich auf 20°CCTK (Innentemperatur), 7°CCTK / 6°CWK (Außentemperatur).
Η ψυκτική απόδοση βασίζεται σε 27°CDB / 19°CWB (θερμοκρασία εσωτερικού χώρου), 35°CDB (εξωτερική θερμοκρασία). Η θέρμαντική απόδοση βασίζεται σε 20°CDB (θερμοκρασία εσωτερικού χώρου), 7°CDB / 6°CWB (εξωτερική θερμοκρασία).
La capacità di raffreddamento nominale si basa su una temperatura interna di 27°CBS / 19°CWB, una temperatura esterna di 35°CBS.
La capacità di riscaldamento nominale si basa su una temperatura interna di 20°CBS, una temperatura esterna di 7°CBS / 6°CWB.
Les puissances frigorifiques nominales sont basées sur une température intérieure de 27°CBS / 19°CWB et une température extérieure de 35°CBS.
Les puissances calorifiques nominales sont basées sur une température intérieure de 20°CBS, et une température extérieure de 7°CBS / 6°CWB.
La capacidad de refrigeración se basa en una temperatura interior de 27°CBS / 19°CWB, una temperatura exterior de 35°CBS.
La capacidad de calefacción nominal se basa en una temperatura interior de 20°CBS, una temperatura exterior de 7°CBS / 6°CWB.
Koelcapaciteit op basis van 27°CDB / 19°CWB binnentemperatuur, 35°CDB buitentemperatuur. Verwarmingscapaciteit op basis van 20°CDB binnentemperatuur, 7°CDB / 6°CWB buitentemperatuur.
Мощность охлаждения основана на 27°CDB / 19°CWB (температура внутри помещения), 35°CDB (температура наружного воздуха).
Мощность обогрева основана на 20°CDB (температура внутри помещения), 7°CDB / 6°CWB (температура наружного воздуха).
Soğutma kapasitesi 27°C KT / 19°C YT (iç sıcaklık), 35°C KT (dış sıcaklık) esas almaktadır. Isıtma kapasitesi 20°C KT (iç sıcaklık), 7°C KT / 6°C YT (dış sıcaklık) esas almaktadır.

2 The total ability of connected a indoor unit is up to 8.5kW
Die Anzahl der maximal anschließbaren Inneneinheiten beträgt 8,5kW
Η συνολική ικανότητα μιας συνδεδεμένης εσωτερικής μονάδας είναι μέχρι 8,5kW
La capacità totale di un'unità interna collegata è pari a 8,5kW
La puissance totale des unités raccordées est de 8,5kW
La capacidad total de conexión de una unidad interior es de hasta 8,5kW
Het totale aansluitvermogen van een binneneenheid bedraagt 8,5kW
Общая мощность подсоединенного внутреннего блока составляет до 8.5кВт
Bağlanan iç ünitinin toplam kapasitesi 8,5kW

3 It is impossible to connect the indoor unit for one room only.
Es ist nicht möglich, nur das Innengerät für einen Raum anzuschließen.
Είναι αδύνατη η σύνδεση της εσωτερικής μονάδας μόνο για ένα δωμάτιο.
È impossibile collegare l'unità interna solo per una stanza.
Il est impossible de connecter l'unité intérieure pour une seule pièce uniquement.
No es posible conectar la unidad interior en sólo un ambiente.
De binneneenheid kan niet voor een enkele kamer worden aangesloten.
Невозможно подсоединить внутренний блок только для одного помещения.
Sadece bir oda için iç ünite bağlamak mümkün değildir.

4 The above is the value for connecting with the following indoor units. 1.5; 2.0; 2.5; 3.5kW class; wall mounted K series. 4.2; 5.0kW class; wall mounted J series.
Der obige Wert gilt für den Anschluss an die folgenden Innengeräte. Klasse 1,5; 2,0; 2,5; 3,5kW Wandgerät vom Typ K. Klasse 4,2; 5,0kW Wandgerät vom Typ J.
Η παραπάνω είναι τιμή για τη σύνδεση με τις παρακάτω εσωτερικές μονάδες. Κατηγορία 1,5; 2,0; 2,5; 3,5kW επίτοιχη σειρά K. Κατηγορία 4,2; 5,0kW επίτοιχη σειρά J.
El valor anterior es válido para la conexión con las unidades interiores siguientes. Clase 1,5; 2,0; 2,5; 3,5kW unidad de pared de la serie K. Clase 4,2; 5,0kW unidad de pared de la serie J.
La valeur ci-avant est la valeur pour la connexion aux unités intérieures suivantes. Série murale K, classe 1,5; 2,0; 2,5; 3,5kW. Série murale J, classe 4,2; 5,0kW.
Il valore indicato in alto si riferisce al collegamento delle seguenti unità interne. Classe 1,5; 2,0; 2,5; 3,5kW serie a parete K. Classe 4,2; 5,0kW serie a parete J.
Bovenstaande waarde is de waarde voor verbinding met de volgende binneneenheden. Klasse 1,5; 2,0; 2,5; 3,5kW reeks K voor wandmontage. Klasse 4,2; 5,0kW reeks J voor wandmontage.
Значение выше является значением для подсоединения со следующими внутренними блоками. Класс 1,5; 2,0; 2,5; 3,5кВт настенный блок серии K. Класс 4,2; 5,0кВт настенный блок серии J.
Yukarıdaki değer aşağıdaki iç ünitilerle bağlantı içinidir. 1,5; 2,0; 2,5; 3,5kW sınıfı; duvar tipi K serisi. 4,2; 5,0kW sınıfı; duvar tipi J serisi.

5 Capacities are based on the following conditions.
- Corresponding refrigerant piping length: 5m
- Level difference: 0m
Die Kapazität basiert auf den folgenden Bedingungen:
- Entsprechende Kältemittelrohrlänge: 5m
- Höhenunterschied: 0m
Οι αποδόσεις βασίζονται στις ακόλουθες συνθήκες.
- Αντίστοιχο μήκος αλληνώσεων ψυκτικού: 5m
- Υψομετρική διαφορά: 0m
Las capacidades se basan en las siguientes condiciones.
- Longitud de tubería de refrigerante equivalente : 5m
- Diferencia de nivel: 0m
Les puissances sont basées sur les conditions suivantes.
- Longueur de tuyauterie correspondante du réfrigérant : 5m
- Dénivellation: 0m
Le capacità si basano sulle seguenti condizioni.
- Lunghezza equivalente delle tubazioni del refrigerante: 5m
- Dislivello: 0m
De capaciteit is gebaseerd op de volgende situatie.
- Overeenstemmende leidinglengte koelvoelstof: 5m
- Niveaunderskil: 0m
Данные мощности основаны на следующих условиях.
- Соответствующая длина трубы охлаждения: 5м
- Разность уровней - 0м
Kapasiteler aşağıdaki koşullara bağlıdır
- İlgili soğutucu boru uzunluğu: 5m
- Seviye farkı: 0m

4 Combination table

4 - 1 Combination Table

2MXS50H

Heating (50Hz 230V)

Outdoor unit	Combination of indoor unit	Capacity of each indoor unit									
		Each capacity (kW)		Total capacity (kW)		Total input (W)		Total current (A)		Power factor (%)	
		A room	B room	Rating	(min. ~ max.)	Rating	(min. ~ max.)	Rating	(min. ~ max.)	Rating	
2MXS50H2V1B	1.5	2.60	---	2.60	1.15 ~ 3.42	670	240 ~ 1010	3.2	1.1 ~ 4.8	91	
	2.0	3.00	---	3.00	1.16 ~ 3.70	810	240 ~ 1120	3.9	1.1 ~ 5.4	91	
	2.5	3.40	---	3.40	1.16 ~ 4.10	970	240 ~ 1300	4.6	1.1 ~ 6.2	91	
	3.5	4.00	---	4.00	1.16 ~ 4.60	1240	240 ~ 1520	5.9	1.1 ~ 7.3	91	
	4.2	4.70	---	4.70	1.16 ~ 5.10	1490	220 ~ 1730	7.1	1.1 ~ 8.3	91	
	5.0	5.40	---	5.40	1.28 ~ 5.60	1770	230 ~ 2010	8.5	1.1 ~ 9.6	91	
	1.5+1.5	1.99	1.99	3.97	1.17 ~ 4.54	950	220 ~ 1200	4.5	1.1 ~ 5.7	91	
	1.5+2.0	1.90	2.53	4.43	1.17 ~ 4.89	1080	220 ~ 1290	5.2	1.1 ~ 6.2	91	
	1.5+2.5	1.81	3.02	4.83	1.17 ~ 5.19	1160	230 ~ 1390	5.5	1.1 ~ 6.6	91	
	1.5+3.5	1.64	3.82	5.46	1.17 ~ 5.70	1390	230 ~ 1600	6.6	1.1 ~ 7.6	91	
	1.5+4.2	1.50	4.20	5.70	1.17 ~ 5.96	1410	240 ~ 1530	6.7	1.1 ~ 7.3	91	
	1.5+5.0	1.32	4.38	5.70	1.17 ~ 6.16	1440	240 ~ 1620	6.9	1.1 ~ 7.7	91	
	2.0+2.0	2.65	2.65	5.30	1.18 ~ 5.70	1340	230 ~ 1510	6.4	1.1 ~ 7.2	91	
	2.0+2.5	2.44	3.06	5.50	1.18 ~ 5.80	1370	230 ~ 1520	6.5	1.1 ~ 7.3	91	
	2.0+3.5	2.04	3.56	5.60	1.24 ~ 5.90	1390	240 ~ 1550	6.6	1.1 ~ 7.4	91	
	2.0+4.2	1.84	3.86	5.70	1.25 ~ 6.00	1350	250 ~ 1500	6.5	1.2 ~ 7.2	91	
	2.0+5.0	1.63	4.07	5.70	1.29 ~ 6.20	1380	250 ~ 1550	6.6	1.2 ~ 7.4	91	
	2.5+2.5	2.80	2.80	5.60	1.18 ~ 5.80	1420	230 ~ 1520	6.8	1.1 ~ 7.3	91	
	2.5+3.5	2.38	3.32	5.70	1.24 ~ 6.00	1410	250 ~ 1580	6.7	1.2 ~ 7.5	91	
	2.5+4.2	2.13	3.57	5.70	1.25 ~ 6.10	1360	250 ~ 1510	6.5	1.2 ~ 7.2	91	
	2.5+5.0	1.90	3.80	5.70	1.35 ~ 6.30	1350	260 ~ 1560	6.5	1.2 ~ 7.5	91	
	3.5+3.5	2.85	2.85	5.70	1.30 ~ 6.10	1460	250 ~ 1630	7.0	1.2 ~ 7.8	91	
	3.5+4.2	2.59	3.11	5.70	1.31 ~ 6.20	1380	260 ~ 1510	6.6	1.2 ~ 7.2	91	
	3.5+5.0	2.35	3.35	5.70	1.35 ~ 6.40	1380	270 ~ 1560	6.6	1.3 ~ 7.5	91	
	4.2+4.2	2.85	2.85	5.70	1.32 ~ 6.30	1310	230 ~ 1500	6.3	1.1 ~ 7.2	91	

3D074975A

NOTES - ANMERKUNGEN - ΣΗΜΕΙΩΣΕΙΣ - NOTAS - REMARQUES - NOTE OPMERKINGEN - ПРИМЕЧАНИЯ - NOTLAR

1 Cooling capacity is based on 27°CDB / 19°CWB (indoor temperature), 35°CDB (outdoor temperature). Heating capacity is based on 20°CDB (indoor temperature), 7°CDB/6°CWB (outdoor temperature).

Kühleistungen basieren sich auf 27°C TK / 19°C FK (Innen Temperatur), 35°C TK (Außen Temperatur). Heizleistungen basieren sich auf 20°C TK (Innen Temperatur), 7°C TK / 6°C FK (Außen Temperatur).

Η ψυκτική απόδοση βασίζεται σε 27°CDB / 19°CWB (θερμοκρασία εσωτερικού χώρου), 35°CDB (εξωτερική θερμοκρασία). Η θερμαντική απόδοση βασίζεται σε 20°CDB (θερμοκρασία εσωτερικού χώρου), 7°CDB / 6°CWB (εξωτερική θερμοκρασία).

La capacité de refroidissement nominale si basa su una temperatura interna di 27°CBS / 19°CBU, una temperatura esterna di 35°CBS.

La capacidad de calefacción nominal se basa su una temperatura interna di 20°CBS, una temperatura esterna di 7°CBS / 6°CBU.

Les puissances frigorifiques nominales sont basées sur une température intérieure de 27°CBS / 19°CBH et une température extérieure de 35°CBS.

Les puissances calorifiques nominales sont basées sur une température intérieure de 20°CBS, et une température extérieure de 7°CBS / 6°CBH.

La capacidad de refrigeración se basa en una temperatura interior de 27°CBS / 19°CBH, una temperatura exterior de 35°CBS.

La capacidad de calefacción nominal se basa en una temperatura interior de 20°CBS, una temperatura exterior de 7°CBS / 6°CBH.

Koelcapaciteit op basis van 27°CDB / 19°CNB binnentemperatuur, 35°CDB buitentemperatuur. Verwarmingscapaciteit op basis van 20°CDB binnentemperatuur, 7°CDB / 6°CNB buitentemperatuur.

Μοσχύτητα οψαλάδιση οσωνάνα να 27°CDB / 19°CNB (τεμπερατούρα νυτρί τομωσένια), 35°CDB (τεμπερατούρα νυτρί τομωσένια).

Μοσχύτητα οσναρνα οσωνάνα να 20°CDB (τεμπερατούρα νυτρί τομωσένια), 7°CDB / 6°CNB (τεμπερατούρα νυτρί τομωσένια).

Soğutma kapasitesi 27°C KT / 19°C YT (iç sıcaklık), 35°C KT (dış sıcaklık) esas almaktadır. Isıtma kapasitesi 20°C KT (iç sıcaklık), 7°C KT / 6°C YT (dış sıcaklık) esas almaktadır.

2 The total ability of connected a indoor unit is up to 8.5kW
Die Anzahl der maximal anschließbaren Inneneinheiten beträgt 8,5kW
Η οσυνολική ικανότητα μιάσ οσυνδωσμένης εσωτερικής μονάδας είναι μωχρι 8,5kW
La capacità totale di un'unità interna collegata è pari a 8,5kW

La puissance totale des unités raccordées est de 8,5kW
La capacidad total de conexión de una unidad interior es de hasta 8,5kW
Het totale aansluitvermogen van een binneneenheid bedraagt 8,5kW
Общая мощность подсоединенного внутреннего блока составляет до 8,5кВт
Bağlanan iç ünitenin toplam kapasitesi 8,5kW

3 It is impossible to connect the indoor unit for one room only.
Es ist nicht möglich, nur das Innengerät für einen Raum anzuschließen.
Είναί αδύνατη η σύνδωση της εσωτερικής μονάδας μόνο για ένα δωμάτιο.
È impossibile collegare l'unità interna solo per una stanza.
Il est impossible de connecter l'unité intérieure pour une seule pièce uniquement.
No es posible conectar la unidad interior en sólo un ambiente.
De binneneenheid kan niet voor een enkele kamer worden aangesloten.
Невозможно подсоединить внутренний блок только для одного помещения.
Sadece bir oda için iç ünite bağlamak mümkün değildir.

4 The above is the value for connecting with the following indoor units. 1.5; 2.0; 2.5; 3.5kW class; wall mounted K series. 4.2; 5.0kW class; wall mounted J series.
Der obige Wert gilt für den Anschluss an die folgenden Innengeräte. Klasse 1,5; 2,0; 2,5; 3,5kW
Wandgerät vom Typ K. Klasse 4,2; 5,0kW Wandgerät vom Typ J.
Η παραπάνω είναι τιμή για σύνδωση με τις παρακάτω εσωτερικές μονάδες. Κατηγορία 1,5; 2,0; 2,5; 3,5kW επίτοιχη σειρά Κ. Κατηγορία 4,2; 5,0kW επίτοιχη σειρά J.
El valor anterior es válido para la conexión con las unidades interiores siguientes. Clase 1,5; 2,0; 2,5; 3,5kW unidad de pared de la serie K. Clase 4,2; 5,0kW unidad de pared de la serie J.
La valeur ci-avant est la valeur pour la connexion aux unités intérieures suivantes. Série murale K, classe 1,5; 2,0; 2,5; 3,5kW. Série murale J, classe 4,2; 5,0kW.
Il valore indicato in alto si riferisce al collegamento delle seguenti unità interne. Classe 1,5; 2,0; 2,5; 3,5kW serie a parete K. Classe 4,2; 5,0kW serie a parete J.
Bovenstaande waarde is de waarde voor verbinding met de volgende binneneenheden. Klasse 1,5; 2,0; 2,5; 3,5kW reeks K voor wandmontage. Klasse 4,2; 5,0kW reeks J voor wandmontage.
Значение выше является значением для подсоединения со следующими внутренними блоками. Класс 1,5; 2,0; 2,5; 3,5кВт настенный блок серии K. Класс 4,2; 5,0кВт настенный блок серии J.
Yukarıdaki değer aşağıdaki iç ünitelerle bağlantı içindir. 1,5; 2,0; 2,5; 3,5kW sınıfı; duvar tipi K sensisi. 4,2; 5,0kW sınıfı; duvar tipi J sensisi.

5 Capacity tables

5 - 1 Capacity Table Legend

5

English - English - Αγγλικά - Inglés	Deutsch	Ελληνικά	Español
Heating Cooling Outdoor unit Combination of indoor unit Capacity of each indoor unit Each capacity (kW) Total capacity (kW) Total input (W) Total current (A) Power factor Room Rating Min. Max. Combination (Capacity) Indoor air temp.: °CDB Outdoor air temp.: °CDB Indoor air temp.: °CWB Outdoor air temp.: °CWB	Heizen Kühlung Außeneinheit Kombination von Inneneinheiten Kapazität jeder Inneneinheit Jede Kapazität (kW) Gesamtleistung (kW) Gesamtaufnahme (W) Gesammtstrom (A) Leistungsfaktor Raum Daten Min. Max. Kombination (Leistung) Innen temperatur: °CTK Außen temperatur: °CTK Innen temperatur: °CFK Außen temperatur: °CFK	Θέρμανση Ψύξη Εξωτερική μονάδα Συνδυασμός εσωτερικής μονάδας Απόδοση κάθε εσωτερικής μονάδας Απόδοση εκάστου (kW) Συνολική απόδοση (kW) Συνολική είσοδος (W) Συνολικό ρεύμα (A) Συντελεστής ισχύος Διαμέρισμα Ονομαστική τιμή Ελάχισ. Μέγ. Συνδυασμός (Απόδοση) Εσωτερική θερμοκρ. αέρα: °CDB Θερ. εξωτερικού αέρα: °CDB Εσωτερική θερμοκρ. αέρα: °CWB Θερ. εξωτερικού αέρα: °CWB	Calefacción Refrigeración Unidad exterior Combinación de la unidad interior Capacidad de cada unidad interior Cada capacidad (kW) Capacidad total (kW) Potencia absorbida total (W) Corriente total (A) Factor de potencia Habitación Valor Min. Max. Combinación (Capacidad) Temperatura interior: °CBS Temperatura exterior del aire: °CBS Temperatura del aire interior: °CBH Temperatura exterior del aire: °CBH

English - Anglais - Inglese - Engels	Français	Italiano	Nederlands
Heating Cooling Outdoor unit Combination of indoor unit Capacity of each indoor unit Each capacity (kW) Total capacity (kW) Total input (W) Total current (A) Power factor Room Rating Min. Max. Combination (Capacity) Indoor air temp.: °CDB Outdoor air temp.: °CDB Indoor air temp.: °CWB Outdoor air temp.: °CWB	Chauffage Rafraîchissement Unité extérieure Combinaison de l'unité intérieure Puissance de chaque unité intérieure Chaque puissance (kW) Puissance totale (kW) Puissance absorbée totale (W) Courant total (A) Facteur de puissance Chambre Puissance nominale Min. Max. Combinaison (Puissance) Température de l'air intérieur: °CBS Température de l'air extérieur: °CBS Température de l'air intérieur: °CBH Température de l'air extérieur: °CBH	Riscaldamento Raffreddamento Sezione esterna Combinazione delle unità interne Capacità di ogni unità interna Capacità unitaria (kW) Capacità totale (kW) Assorbimento totale (W) Corrente assorbita totale (A) Fattore di potenza Locale Prestazioni Min. Max. Combinazione (Capacità) Temperatura aria interna: °CBS Temperatura aria esterna: °CBS Temperatura aria interna: °CUB Temperatura aria esterna: °CUB	Verwarmen Koelen Buitenunit Combinatie met binnenunit Capaciteit van elke binnenunit Elke capaciteit (kW) Totale capaciteit (kW) Totale opgenomen vermogen (W) Totale stroom (A) Power factor Kamer Nominale waarde Min. Max. Combinatie (Capaciteit) Binnenluchttemperatuur: °CDB Buitenluchttemperatuur: °CDB Binnenluchttemperatuur: °CWB Buitenluchttemperatuur: °CWB

English - Английско - Ingilizce	Русский	Türkçe
Heating Cooling Outdoor unit Combination of indoor unit Capacity of each indoor unit Each capacity (kW) Total capacity (kW) Total input (W) Total current (A) Power factor Room Rating Min. Max. Combination (Capacity) Indoor air temp.: °CDB Outdoor air temp.: °CDB Indoor air temp.: °CWB Outdoor air temp.: °CWB	Обогрев Охлаждение Наружный блок Сочетание внутренних блоков Мощность каждого внутреннего блока Каждая мощность (кВт) Общая мощность (кВт) Общая входная мощность (Вт) Полный ток (А) Коэффициент мощности Помещение Номинальные условия Min. Max. Сочетание (мощность) Темп. воздуха в пом.: °CDB Температура наружного воздуха °CDB Темп. воздуха в пом.: °CWB Температура наружного воздуха °CWB	Isıtma Soğutma Dış ünite İç ünite kombinasyonu Her bir iç ünitenin kapasitesi Her bir kapasite (kW) Toplam kapasite (kW) Toplam girişi (W) Toplam akım (A) Güç faktörü Oda Derecelendirme Min. Maks. Kombinasyon (Kapasite) İç hava sıcaklığı: °C KT Dış hava sıcaklığı: °C KT İç hava sıcaklığı: °CWB Dış hava sıcaklığı: °CWB

MXS-H

5 Capacity tables

5 - 2 Cooling Capacity Tables

2MXS40H Cooling (50Hz 230V)

Combination (Capacity)	Outdoor air temp. °CDB	Indoor air temp. °CWB											
		14°C		16°C		18°C		19°C		22°C		24°C	
		TC kW	PI kW	TC kW	PI kW	TC kW	PI kW	TC kW	PI kW	TC kW	PI kW	TC kW	PI kW
1.5	10.0	1.78	0.25	1.85	0.26	1.92	0.26	1.96	0.27	2.07	0.27	2.14	0.29
	12.0	1.75	0.26	1.82	0.26	1.89	0.27	1.93	0.27	2.04	0.28	2.11	0.29
	15.0	1.70	0.27	1.78	0.27	1.85	0.28	1.89	0.28	2.00	0.29	2.07	0.29
	18.0	1.66	0.27	1.73	0.28	1.81	0.29	1.84	0.29	1.95	0.30	2.02	0.30
	20.0	1.63	0.28	1.70	0.29	1.78	0.29	1.81	0.30	1.92	0.30	2.00	0.31
	22.0	1.60	0.29	1.67	0.29	1.75	0.30	1.78	0.30	1.89	0.31	1.97	0.32
	25.0	1.55	0.30	1.63	0.30	1.70	0.31	1.74	0.31	1.85	0.32	1.92	0.33
	28.0	1.51	0.31	1.58	0.31	1.66	0.32	1.69	0.32	1.80	0.33	1.88	0.34
	32.0	1.45	0.32	1.52	0.33	1.60	0.34	1.63	0.34	1.74	0.35	1.82	0.35
	35.0	1.41	0.34	1.48	0.34	1.55	0.35	1.59	0.35	1.70	0.36	1.77	0.36
	40.0	1.33	0.36	1.41	0.36	1.48	0.37	1.52	0.37	1.63	0.38	1.70	0.39
	43.0	1.29	0.37	1.36	0.38	1.43	0.38	1.47	0.39	1.58	0.39	1.65	0.40
	46.0	1.24	0.39	1.32	0.39	1.39	0.40	1.43	0.40	1.54	0.41	1.61	0.41
2.0	10.0	2.68	0.41	2.79	0.42	2.90	0.43	2.96	0.43	3.12	0.45	3.24	0.46
	12.0	2.64	0.42	2.75	0.43	2.86	0.44	2.91	0.44	3.08	0.46	3.19	0.46
	15.0	2.57	0.43	2.68	0.44	2.79	0.45	2.85	0.46	3.01	0.47	3.12	0.48
	18.0	2.50	0.45	2.61	0.46	2.72	0.47	2.78	0.47	2.95	0.48	3.06	0.49
	20.0	2.46	0.46	2.57	0.47	2.68	0.48	2.74	0.48	2.90	0.49	3.01	0.50
	22.0	2.41	0.47	2.52	0.48	2.64	0.49	2.69	0.49	2.86	0.50	2.97	0.51
	25.0	2.35	0.49	2.46	0.49	2.57	0.50	2.62	0.51	2.79	0.52	2.90	0.53
	28.0	2.28	0.50	2.39	0.51	2.50	0.52	2.56	0.53	2.72	0.54	2.83	0.55
	32.0	2.19	0.53	2.30	0.54	2.41	0.55	2.47	0.55	2.63	0.56	2.74	0.57
	35.0	2.12	0.55	2.23	0.56	2.34	0.57	2.40	0.57	2.57	0.58	2.68	0.59
	40.0	2.01	0.58	2.12	0.59	2.23	0.60	2.29	0.61	2.45	0.62	2.56	0.63
	43.0	1.94	0.60	2.06	0.61	2.17	0.62	2.22	0.63	2.39	0.64	2.50	0.65
	46.0	1.88	0.63	1.99	0.64	2.10	0.65	2.15	0.65	2.32	0.66	2.43	0.67
2.5	10.0	3.35	0.58	3.49	0.59	3.63	0.60	3.70	0.61	3.91	0.63	4.04	0.64
	12.0	3.30	0.59	3.44	0.60	3.57	0.61	3.64	0.62	3.85	0.64	3.99	0.65
	15.0	3.21	0.61	3.35	0.62	3.49	0.63	3.56	0.64	3.77	0.66	3.90	0.67
	18.0	3.13	0.63	3.27	0.64	3.41	0.65	3.47	0.66	3.68	0.68	3.82	0.69
	20.0	3.07	0.64	3.21	0.66	3.35	0.67	3.42	0.67	3.63	0.69	3.76	0.71
	22.0	3.02	0.66	3.16	0.67	3.29	0.68	3.36	0.69	3.57	0.71	3.71	0.72
	25.0	2.93	0.68	3.07	0.69	3.21	0.71	3.28	0.71	3.49	0.73	3.62	0.75
	28.0	2.85	0.71	2.99	0.72	3.13	0.73	3.20	0.74	3.40	0.76	3.54	0.77
	32.0	2.74	0.74	2.88	0.75	3.01	0.77	3.08	0.77	3.29	0.79	3.43	0.81
	35.0	2.65	0.77	2.79	0.78	2.93	0.79	3.00	0.80	3.21	0.82	3.35	0.83
	40.0	2.51	0.82	2.65	0.83	2.79	0.84	2.86	0.85	3.07	0.87	3.21	0.88
	43.0	2.43	0.85	2.57	0.86	2.71	0.87	2.78	0.88	2.98	0.90	3.12	0.91
	46.0	2.35	0.88	2.49	0.89	2.62	0.91	2.69	0.91	2.90	0.93	3.04	0.95

3D075152

SYMBOLS - ABKÜRZUNGEN ΣΥΜΒΟΛΑ - SIMBOLOS SIMBOLES - SIMBOLI VERKLARING - ОБОЗНАЧЕНИЯ SEMBOLER

TC: Total capacity (kW)
PI: Power input (kW)

TC: Gesamtleistung (kW)
PI: Leistungsaufnahme (kW)

TC: Συνολική απόδοση (kW)
PI: Ισχύς εισόδου (kW)

TC: Capacidad total (kW)
PI: Potencia consumida (kW)

TC: Puissance totale (kW)
PI: Puissance absorbée (kW)

TC: Capacità totale (kW)
PI: Potenza assorbita (kW)

TC: Totale capaciteit (kW)
PI: Opgenomen vermogen (kW)

TC: Общая мощность (кВт)
PI: Входная мощность (кВт)

TC: Toplam kapasite (kW)
PI: Güç girişi (kW)

NOTES - ANMERKUNGEN - ΣΗΜΕΙΩΣΕΙΣ - NOTAS - REMARQUES - NOTE OPMERKINGEN - ПРИМЕЧАНИЯ - NOTLAR

1 Capacities are based on the following conditions.
- Corresponding refrigerant piping length: 5.0m
- Level difference: 0m
Die Kapazität basiert auf den folgenden Bedingungen:
- Entsprechende Kältemittelrohrlänge: 5.0m
- Höhenunterschied: 0m
Οι αποδόσεις βασίζονται στις ακόλουθες συνθήκες.
- Αντιστοίχο μήκος αληγηώσεων ψυκτικού: 5.0m
- Ύψομετρική διαφορά: 0m
Las capacidades se basan en las siguientes condiciones.
- Longitud de tubería de refrigerante equivalente: 5.0m
- Diferencia de nivel: 0m
Les puissances sont basées sur les conditions suivantes.
- Longueur de tuyauterie correspondant au réfrigérant: 5.0m
- Dénivellation: 0m
Le capacità si basano sulle seguenti condizioni.
- Lunghezza equivalente delle tubazioni del refrigerante: 5.0m
- Dislivello: 0m
De capaciteit is gebaseerd op de volgende situatie.
- Overeenstemmende leidinglengte koelvoelstof: 5.0m
- Niveaunderschied: 0m
Данные мощности основаны на следующих условиях.
- Соответствующая длина трубы охлаждения: 5.0m
- Разность уровней: 0m
Kapasite ler aşajidaki koşullara bağlıdır
- İlgili soğutucu boru uzunluğu: 5.0m
- Seviye farkı: 0m

2 The above is the value for connecting with the following indoor units.
1.5; 2.0; 2.5; 3.5kW class; wall mounted K series.
Der obige Wert gilt für den Anschluss an die folgenden Innengeräte.
Klasse 1.5; 2.0; 2.5; 3.5kW Wandgerät vom Typ K.
Η παραπάνω είναι τιμή για σύνδεση με τις παρακάτω εσωτερικές μονάδες. Κατηγορία
1.5; 2.0; 2.5; 3.5kW επίτοιχη σειρά K.
El valor anterior es válido para la conexión con las unidades interiores siguientes.
Clase 1.5; 2.0; 2.5; 3.5kW unidad de pared de la serie K.
La valeur ci-avant est la valeur pour la connexion aux unités intérieures suivantes.
Série murale K, classe 1.5; 2.0; 2.5; 3.5kW.
Il valore indicato in alto si riferisce al collegamento delle seguenti unità interne.
Classe 1.5; 2.0; 2.5; 3.5kW serie a parete K.
Bovenstaande waarde is de waarde voor verbinding met de volgende binneneenheden.
Klasse 1.5; 2.0; 2.5; 3.5kW reeks K voor wandmontage.
Значение выше является значением для подсоединения со следующими
внутренними блоками. Класс 1.5; 2.0; 2.5; 3.5кВт настенный блок серии K.
Yükandaki değer aşajidaki ünitelerle bağlantı içindir.
1.5; 2.0; 2.5; 3.5kW sınıfı; duvar tipi K serisi.

5 Capacity tables

5 - 2 Cooling Capacity Tables

2MXS40H Cooling (50Hz 230V)

Combination (Capacity)	Outdoor air temp. °CDB	Indoor air temp. °CWB											
		14°C		16°C		18°C		19°C		22°C		24°C	
		TC kW	PI kW	TC kW	PI kW	TC kW	PI kW	TC kW	PI kW	TC kW	PI kW	TC kW	PI kW
3.5	10.0	4.00	0.84	4.65	1.00	4.84	1.02	4.93	1.03	5.21	1.07	5.39	1.09
	12.0	4.00	0.88	4.58	1.02	4.76	1.04	4.86	1.05	5.13	1.09	5.32	1.11
	15.0	4.00	0.94	4.47	1.05	4.65	1.08	4.75	1.09	5.02	1.12	5.21	1.14
	18.0	4.00	1.00	4.36	1.09	4.54	1.11	4.63	1.12	4.91	1.15	5.09	1.18
	20.0	4.00	1.05	4.28	1.11	4.47	1.14	4.56	1.15	4.84	1.18	5.02	1.20
	22.0	4.00	1.11	4.21	1.14	4.39	1.16	4.48	1.17	4.76	1.20	4.94	1.23
	25.0	3.91	1.16	4.10	1.18	4.28	1.20	4.37	1.21	4.65	1.24	4.83	1.27
	28.0	3.80	1.20	3.98	1.22	4.17	1.24	4.26	1.25	4.54	1.29	4.72	1.31
	32.0	3.65	1.26	3.84	1.28	4.02	1.30	4.11	1.31	4.39	1.35	4.57	1.37
	35.0	3.54	1.31	3.72	1.33	3.91	1.35	4.00	1.36	4.28	1.39	4.46	1.42
	40.0	3.35	1.39	3.54	1.41	3.72	1.43	3.81	1.44	4.09	1.48	4.27	1.50
	43.0	3.24	1.44	3.43	1.47	3.61	1.49	3.70	1.50	3.93	1.50	4.08	1.50
	46.0	2.87	1.30	3.01	1.30	3.14	1.30	3.21	1.30	3.40	1.30	3.52	1.30
1.5+1.5	10.0	3.99	0.60	4.15	0.61	4.32	0.62	4.40	0.63	4.65	0.65	4.81	0.68
	12.0	3.92	0.61	4.09	0.62	4.25	0.64	4.33	0.64	4.58	0.66	4.75	0.68
	15.0	3.82	0.63	3.99	0.64	4.15	0.66	4.23	0.66	4.48	0.68	4.65	0.70
	18.0	3.72	0.65	3.89	0.66	4.05	0.68	4.14	0.68	4.38	0.70	4.55	0.72
	20.0	3.66	0.67	3.82	0.68	3.99	0.69	4.07	0.70	4.32	0.72	4.48	0.73
	22.0	3.59	0.68	3.76	0.70	3.92	0.71	4.00	0.72	4.25	0.74	4.41	0.75
	25.0	3.49	0.71	3.66	0.72	3.82	0.73	3.90	0.74	4.15	0.76	4.31	0.77
	28.0	3.39	0.73	3.56	0.75	3.72	0.76	3.80	0.77	4.05	0.79	4.21	0.80
	32.0	3.26	0.77	3.42	0.78	3.59	0.80	3.67	0.80	3.92	0.82	4.08	0.84
	35.0	3.16	0.80	3.32	0.81	3.49	0.82	3.57	0.83	3.82	0.85	3.98	0.86
	40.0	2.99	0.85	3.16	0.86	3.32	0.88	3.40	0.88	3.65	0.90	3.81	0.92
	43.0	2.89	0.88	3.06	0.89	3.22	0.91	3.30	0.91	3.55	0.93	3.72	0.95
	46.0	2.79	0.91	2.96	0.93	3.12	0.94	3.20	0.95	3.45	0.97	3.62	0.98
1.5+2.0	10.0	4.43	0.71	4.61	0.73	4.79	0.74	4.88	0.75	5.16	0.78	5.34	0.81
	12.0	4.35	0.73	4.53	0.74	4.72	0.76	4.81	0.77	5.08	0.79	5.26	0.81
	15.0	4.24	0.75	4.42	0.77	4.61	0.78	4.70	0.79	4.97	0.81	5.15	0.83
	18.0	4.13	0.78	4.31	0.79	4.50	0.81	4.59	0.82	4.86	0.84	5.04	0.86
	20.0	4.06	0.79	4.24	0.81	4.42	0.83	4.51	0.83	4.79	0.86	4.97	0.87
	22.0	3.98	0.81	4.17	0.83	4.35	0.85	4.44	0.85	4.71	0.88	4.90	0.89
	25.0	3.87	0.84	4.06	0.86	4.24	0.87	4.33	0.88	4.60	0.91	4.78	0.92
	28.0	3.76	0.87	3.94	0.89	4.13	0.91	4.22	0.91	4.49	0.94	4.67	0.95
	32.0	3.61	0.92	3.80	0.93	3.98	0.95	4.07	0.96	4.34	0.98	4.53	1.00
	35.0	3.50	0.95	3.69	0.97	3.87	0.98	3.96	0.99	4.23	1.01	4.42	1.03
	40.0	3.32	1.01	3.50	1.03	3.68	1.04	3.78	1.05	4.05	1.08	4.23	1.09
	43.0	3.21	1.05	3.39	1.07	3.57	1.08	3.66	1.09	3.94	1.11	4.12	1.13
	46.0	3.10	1.09	3.28	1.11	3.46	1.12	3.55	1.13	3.83	1.15	4.01	1.17

3D075152

**SYMBOLS - ABKÜRZUNGEN
ΣΥΜΒΟΛΑ - SIMBOLOS
SIMBOLES - SIMBOLI
VERKLARING - ОБОЗНАЧЕНИЯ
SEMBOLLER**

TC: Total capacity (kW)
PI: Power input (kW)

TC: Gesamtleistung (kW)
PI: Leistungsaufnahme (kW)

TC: Συνολική απόδοση (kW)
PI: Ισχύς εισόδου (kW)

TC: Capacidad total (kW)
PI: Potencia consumida (kW)

TC: Puissance totale (kW)
PI: Puissance absorbée (kW)

TC: Capacità totale (kW)
PI: Potenza assorbita (kW)

TC: Totale capaciteit (kW)
PI: Organomen vermogen (kW)

TC: Общая мощность (кВт)
PI: Входная мощность (кВт)

TC: Toplam kapasite (kW)
PI: Güç girişi (kW)

**NOTES - ANMERKUNGEN - ΣΗΜΕΙΩΣΕΙΣ - NOTAS - REMARQUES - NOTE
OPMERKINGEN - ПРИМЕЧАНИЯ - NOTLAR**

1 Capacities are based on the following conditions.
- Corresponding refrigerant piping length: 5.0m
- Level difference: 0m
Die Kapazität basiert auf den folgenden Bedingungen:
- Entsprechende Kältemittelrohrlänge: 5,0m
- Höhenunterschied: 0m
Οι αποδόσεις βασίζονται στις ακόλουθες συνθήκες.
- Αντιστοίχο μήκος σωληνώσεων ψυκτικού: 5,0m
- Υψομετρική διαφορά: 0m
Las capacidades se basan en las siguientes condiciones.
- Longitud de tubería de refrigerante equivalente: 5,0m
- Diferencia de nivel: 0m
Les puissances sont basées sur les conditions suivantes.
- Longueur de tuyauterie correspondante du réfrigérant: 5,0m
- Dénivellation: 0m
Le capacità si basano sulle seguenti condizioni.
- Lunghezza equivalente delle tubazioni del refrigerante: 5,0m
- Dislivello: 0m
De capaciteit is gebaseerd op de volgende situatie.
- Overeenstemmende leidinglengte koelvloeistof: 5,0m
- Niveaunderschil: 0m
Данные мощности основаны на следующих условиях.
- Соответствующая длина трубы охлаждения: 5,0m
- Разность уровней: 0m
Kapasiteler aşağıdaki koşullara bağlıdır
- İlgili soğutucu boru uzunluğu: 5,0m
- Seviye farkı: 0m

2 The above is the value for connecting with the following indoor units.
1.5; 2.0; 2.5; 3.5kW class; wall mounted K series.
Der obige Wert gilt für den Anschluss an die folgenden Innengeräte.
Klasse 1.5; 2.0; 2.5; 3,5kW Wandgerät vom Typ K.
Η παραπάνω είναι τιμή για σύνδεση με τις παρακάτω εσωτερικές μονάδες. Κατηγορία
1.5; 2.0; 2.5; 3,5kW επίτοιχη σειρά K.
El valor anterior es válido para la conexión con las unidades interiores siguientes.
Clase 1.5; 2.0; 2.5; 3,5kW unidad de pared de la serie K.
La valeur ci-avant est la valeur pour la connexion aux unités intérieures suivantes.
Série murale K, classe 1.5; 2.0; 2.5; 3,5kW.
Il valore indicato in alto si riferisce al collegamento delle seguenti unità interne.
Classe 1.5; 2.0; 2.5; 3,5kW serie a parete K.
Bovenstaande waarde is de waarde voor verbinding met de volgende binnunits.
Klasse 1.5; 2.0; 2.5; 3,5kW reeks K voor wandmontage.
Значение выше является значением для подсоединения со следующими
внутренними блоками. Класс 1.5; 2.0; 2.5; 3.5кВт настенный блок серии K.
Yukarıdaki değer aşağıdaki iç ünitelerle bağlantı içindir.
1.5; 2.0; 2.5; 3,5kW sınıfı; duvar tipi K serisi.

5 Capacity tables

5 - 2 Cooling Capacity Tables

2MXS40H Cooling (50Hz 230V)

Combination (Capacity)	Outdoor air temp. °CDB	Indoor air temp. °CWB											
		14°C		16°C		18°C		19°C		22°C		24°C	
		TC kW	PI kW	TC kW	PI kW	TC kW	PI kW	TC kW	PI kW	TC kW	PI kW	TC kW	PI kW
1.5+2.5	10.0	4.72	0.81	4.91	0.82	5.11	0.84	5.20	0.85	5.49	0.88	5.69	0.90
	12.0	4.64	0.82	4.83	0.84	5.03	0.86	5.12	0.87	5.42	0.89	5.61	0.91
	15.0	4.52	0.85	4.71	0.87	4.91	0.89	5.01	0.89	5.30	0.92	5.49	0.94
	18.0	4.40	0.88	4.60	0.90	4.79	0.91	4.89	0.92	5.18	0.95	5.37	0.97
	20.0	4.32	0.90	4.52	0.92	4.71	0.94	4.81	0.94	5.10	0.97	5.30	0.99
	22.0	4.24	0.92	4.44	0.94	4.63	0.96	4.73	0.97	5.02	0.99	5.22	1.01
	25.0	4.13	0.95	4.32	0.97	4.52	0.99	4.61	1.00	4.90	1.03	5.10	1.04
	28.0	4.01	0.99	4.20	1.01	4.40	1.02	4.50	1.03	4.79	1.06	4.98	1.08
	32.0	3.85	1.04	4.05	1.06	4.24	1.07	4.34	1.08	4.63	1.11	4.82	1.13
	35.0	3.73	1.08	3.93	1.09	4.12	1.11	4.22	1.12	4.51	1.15	4.71	1.17
	40.0	3.54	1.15	3.73	1.16	3.93	1.18	4.02	1.19	4.32	1.22	4.51	1.23
	43.0	3.42	1.19	3.61	1.21	3.81	1.22	3.91	1.23	4.20	1.26	4.39	1.28
	46.0	3.30	1.23	3.50	1.25	3.69	1.27	3.79	1.28	4.07	1.30	4.22	1.30
1.5+3.5	10.0	4.85	0.82	5.05	0.84	5.25	0.86	5.35	0.87	5.65	0.89	5.85	0.93
	12.0	4.77	0.84	4.97	0.86	5.17	0.87	5.27	0.88	5.57	0.91	5.77	0.93
	15.0	4.65	0.87	4.85	0.88	5.05	0.90	5.15	0.91	5.45	0.94	5.65	0.96
	18.0	4.53	0.89	4.73	0.91	4.93	0.93	5.03	0.94	5.33	0.97	5.53	0.99
	20.0	4.45	0.92	4.65	0.93	4.85	0.95	4.95	0.96	5.25	0.99	5.45	1.01
	22.0	4.37	0.94	4.57	0.96	4.77	0.97	4.87	0.98	5.17	1.01	5.37	1.03
	25.0	4.24	0.97	4.44	0.99	4.64	1.01	4.74	1.02	5.04	1.04	5.24	1.06
	28.0	4.12	1.01	4.32	1.02	4.52	1.04	4.62	1.05	4.92	1.08	5.12	1.10
	32.0	3.96	1.06	4.16	1.07	4.36	1.09	4.46	1.10	4.76	1.13	4.96	1.15
	35.0	3.84	1.10	4.04	1.11	4.24	1.13	4.34	1.14	4.64	1.17	4.84	1.19
	40.0	3.64	1.17	3.84	1.18	4.04	1.20	4.14	1.21	4.44	1.24	4.64	1.26
	43.0	3.52	1.21	3.72	1.23	3.92	1.25	4.02	1.26	4.32	1.28	4.52	1.30
	46.0	3.40	1.26	3.60	1.27	3.80	1.29	3.90	1.30	4.13	1.30	4.29	1.30
2.0+2.0	10.0	4.69	0.81	4.89	0.82	5.08	0.84	5.18	0.85	5.47	0.88	5.66	0.90
	12.0	4.62	0.82	4.81	0.84	5.00	0.86	5.10	0.87	5.39	0.89	5.58	0.91
	15.0	4.50	0.85	4.69	0.87	4.89	0.89	4.98	0.89	5.27	0.92	5.47	0.94
	18.0	4.38	0.88	4.57	0.90	4.77	0.91	4.86	0.92	5.16	0.95	5.35	0.97
	20.0	4.30	0.90	4.50	0.92	4.69	0.94	4.79	0.94	5.08	0.97	5.27	0.99
	22.0	4.22	0.92	4.42	0.94	4.61	0.96	4.71	0.97	5.00	0.99	5.19	1.01
	25.0	4.11	0.95	4.30	0.97	4.49	0.99	4.59	1.00	4.88	1.03	5.07	1.04
	28.0	3.99	0.99	4.18	1.01	4.38	1.02	4.47	1.03	4.76	1.06	4.96	1.08
	32.0	3.83	1.04	4.03	1.06	4.22	1.07	4.32	1.08	4.61	1.11	4.80	1.13
	35.0	3.72	1.08	3.91	1.09	4.10	1.11	4.20	1.12	4.49	1.15	4.68	1.17
	40.0	3.52	1.15	3.71	1.16	3.91	1.18	4.00	1.19	4.29	1.22	4.49	1.23
	43.0	3.40	1.19	3.60	1.21	3.79	1.22	3.89	1.23	4.18	1.26	4.37	1.28
	46.0	3.29	1.23	3.48	1.25	3.67	1.27	3.77	1.28	4.05	1.30	4.20	1.30

3D075153

SYMBOLS - ABKÜRZUNGEN ΣΥΜΒΟΛΑ - SIMBOLOS SIMBOLES - SIMBOLI VERKLARING - ОБОЗНАЧЕНИЯ SEMBOLER

TC: Total capacity (kW)
PI: Power input (kW)

TC: Gesamtleistung (kW)
PI: Leistungsaufnahme (kW)

TC: Συνολική απόδοση (kW)
PI: Ισχύς εισόδου (kW)

TC: Capacidad total (kW)
PI: Potencia consumida (kW)

TC: Puissance totale (kW)
PI: Puissance absorbée (kW)

TC: Capacità totale (kW)
PI: Potenza assorbita (kW)

TC: Totale capaciteit (kW)
PI: Opgenomen vermogen (kW)

TC: Общая мощность (кВт)
PI: Входная мощность (кВт)

TC: Toplam kapasite (kW)
PI: Güç girişi (kW)

NOTES - ANMERKUNGEN - ΣΗΜΕΙΩΣΕΙΣ - NOTAS - REMARQUES - NOTE OPMERKINGEN - ПРИМЕЧАНИЯ - NOTLAR

1 Capacities are based on the following conditions.
- Corresponding refrigerant piping length: 5.0m
- Level difference: 0m
Die Kapazität basiert auf den folgenden Bedingungen:
- Entsprechende Kältemittelrohrlänge: 5,0m
- Höhenunterschied: 0m
Οι απόδοσεις βασίζονται στις ακόλουθες συνθήκες.
- Αντιστοίχο μήκος αληγηώσεων ψυκτικού: 5,0m
- Ύψομετρική διαφορά: 0m
Les capacidades se basan en las siguientes condiciones.
- Longitud de tubería de refrigerante equivalente : 5,0m
- Diferencia de nivel: 0m
Les puissances sont basées sur les conditions suivantes.
- Longueur de tuyauterie correspondant au réfrigérant : 5,0m
- Dénivellation: 0m
Le capacità si basano sulle seguenti condizioni.
- Lunghezza equivalente delle tubazioni del refrigerante: 5,0m
- Dislivello: 0m
De capaciteit is gebaseerd op de volgende situatie.
- Ovreënstemende leidinglengte koelvoelstof: 5,0m
- Niveaueverschil: 0m
Данные мощности основаны на следующих условиях.
- Соответствующая длина трубы охлаждения: 5,0m
- Разность уровней - 0м
Kapasite ler aşğıdaki koşullara bağıdır
- İlgili soğutucu boru uzunluğu: 5,0m
- Seviye farkı: 0m

2 The above is the value for connecting with the following indoor units.
1.5; 2.0; 2.5; 3.5kW class; wall mounted K series.
Der obige Wert gilt für den Anschluss an die folgenden Innengeräte.
Klasse 1,5; 2,0; 2,5; 3,5kW Wandgerät vom Typ K.
Η παραπάνω είναι τιμή για σύνδεση με τις παρακάτω εσωτερικές μονάδες. Κατηγορία
1,5; 2,0; 2,5; 3,5kW επίτοιχη σειρά K.
El valor anterior es válido para la conexión con las unidades interiores siguientes.
Clase 1,5; 2,0; 2,5; 3,5kW unidad de pared de la serie K.
La valeur ci-avant est la valeur pour la connexion aux unités intérieures suivantes.
Série murale K, classe 1,5; 2,0; 2,5; 3,5kW.
Il valore indicato in alto si riferisce al collegamento delle seguenti unità interne.
Classe 1,5; 2,0; 2,5; 3,5kW serie a parete K.
Bovenstaande waarde is de waarde voor verbinding met de volgende binneneenheden.
Klasse 1,5; 2,0; 2,5; 3,5kW reeks K voor wandmontage.
Значение выше является значением для подсоединения со следующими
внутренними блоками. Класс 1,5; 2,0; 2,5; 3,5кВт настенный блок серии K.
Yükandaki değer aşğıdaki iç ünitelerle bağlantı içindir.
1,5; 2,0; 2,5; 3,5kW sınıfı; duvar tipi K serisi.

5 Capacity tables

5 - 2 Cooling Capacity Tables

2MXS40H

Cooling (50Hz 230V)

Combination (Capacity)	Outdoor air temp. °CDB	Indoor air temp. °CWB											
		14°C		16°C		18°C		19°C		22°C		24°C	
		TC kW	PI kW	TC kW	PI kW	TC kW	PI kW	TC kW	PI kW	TC kW	PI kW	TC kW	PI kW
2.0+2.5	10.0	4.81	0.84	5.00	0.86	5.20	0.88	5.30	0.89	5.60	0.92	5.80	0.94
	12.0	4.73	0.86	4.92	0.88	5.12	0.90	5.22	0.91	5.52	0.93	5.72	0.95
	15.0	4.61	0.89	4.80	0.91	5.00	0.93	5.10	0.93	5.40	0.96	5.60	0.98
	18.0	4.49	0.92	4.68	0.94	4.88	0.96	4.98	0.97	5.28	0.99	5.48	1.01
	20.0	4.41	0.94	4.60	0.96	4.80	0.98	4.90	0.99	5.20	1.01	5.40	1.03
	22.0	4.33	0.96	4.52	0.98	4.72	1.00	4.82	1.01	5.12	1.04	5.32	1.06
	25.0	4.21	1.00	4.40	1.01	4.60	1.03	4.70	1.04	5.00	1.07	5.20	1.09
	28.0	4.09	1.03	4.28	1.05	4.48	1.07	4.58	1.08	4.88	1.11	5.08	1.13
	32.0	3.92	1.08	4.12	1.10	4.32	1.12	4.42	1.13	4.72	1.16	4.92	1.18
	35.0	3.80	1.12	4.00	1.14	4.20	1.16	4.30	1.17	4.60	1.20	4.80	1.22
	40.0	3.60	1.20	3.80	1.22	4.00	1.23	4.10	1.24	4.40	1.27	4.60	1.29
	43.0	3.48	1.24	3.68	1.26	3.88	1.28	3.98	1.29	4.28	1.32	4.47	1.34
	46.0	3.36	1.29	3.55	1.30	3.71	1.30	3.79	1.30	4.02	1.30	4.17	1.30
2.0+3.5	10.0	5.03	0.88	5.24	0.90	5.44	0.92	5.55	0.93	5.86	0.96	6.07	0.98
	12.0	4.95	0.90	5.15	0.92	5.36	0.94	5.46	0.95	5.77	0.98	5.98	1.00
	15.0	4.82	0.93	5.03	0.95	5.23	0.97	5.34	0.98	5.65	1.01	5.86	1.03
	18.0	4.69	0.97	4.90	0.99	5.11	1.00	5.21	1.01	5.52	1.04	5.73	1.06
	20.0	4.61	0.99	4.82	1.01	5.02	1.03	5.13	1.04	5.44	1.07	5.65	1.09
	22.0	4.53	1.01	4.73	1.03	4.94	1.05	5.04	1.06	5.36	1.09	5.56	1.11
	25.0	4.40	1.05	4.61	1.07	4.82	1.09	4.92	1.10	5.23	1.13	5.44	1.15
	28.0	4.28	1.09	4.48	1.11	4.69	1.12	4.79	1.13	5.10	1.16	5.31	1.18
	32.0	4.11	1.14	4.31	1.16	4.52	1.18	4.63	1.19	4.94	1.22	5.14	1.24
	35.0	3.98	1.18	4.19	1.20	4.40	1.22	4.50	1.23	4.81	1.26	5.02	1.28
	40.0	3.77	1.26	3.98	1.28	4.19	1.30	4.29	1.31	4.60	1.34	4.81	1.36
	43.0	3.65	1.31	3.85	1.33	4.06	1.34	4.16	1.35	4.48	1.38	4.68	1.40
	46.0	3.43	1.30	3.59	1.30	3.75	1.30	3.83	1.30	4.05	1.30	4.20	1.30
2.5+2.5	10.0	4.92	0.88	5.12	0.90	5.32	0.92	5.42	0.93	5.73	0.96	5.93	0.98
	12.0	4.84	0.90	5.04	0.92	5.24	0.94	5.34	0.95	5.65	0.98	5.85	1.00
	15.0	4.71	0.93	4.92	0.95	5.12	0.97	5.22	0.98	5.52	1.01	5.73	1.03
	18.0	4.59	0.97	4.79	0.99	5.00	1.00	5.10	1.01	5.40	1.04	5.60	1.06
	20.0	4.51	0.99	4.71	1.01	4.91	1.03	5.01	1.04	5.32	1.07	5.52	1.09
	22.0	4.43	1.01	4.63	1.03	4.83	1.05	4.93	1.06	5.24	1.09	5.44	1.11
	25.0	4.30	1.05	4.51	1.07	4.71	1.09	4.81	1.10	5.11	1.13	5.32	1.15
	28.0	4.18	1.09	4.38	1.11	4.59	1.12	4.69	1.13	4.99	1.16	5.19	1.18
	32.0	4.02	1.14	4.22	1.16	4.42	1.18	4.52	1.19	4.83	1.22	5.03	1.24
	35.0	3.89	1.18	4.10	1.20	4.30	1.22	4.40	1.23	4.70	1.26	4.91	1.28
	40.0	3.69	1.26	3.89	1.28	4.09	1.30	4.20	1.31	4.50	1.34	4.70	1.36
	43.0	3.57	1.31	3.77	1.33	3.97	1.34	4.07	1.35	4.38	1.38	4.58	1.40
	46.0	3.35	1.30	3.51	1.30	3.67	1.30	3.74	1.30	3.97	1.30	4.11	1.30

3D075153

**SYMBOLS - ABKÜRZUNGEN
ΣΥΜΒΟΛΑ - SIMBOLOS
SIMBOLES - SIMBOLI
VERKLARING - ОБОЗНАЧЕНИЯ
SEMBOLLER**

TC: Total capacity (kW)
PI: Power input (kW)

TC: Gesamtleistung (kW)
PI: Leistungsaufnahme (kW)

TC: Συνολική απόδοση (kW)
PI: Ισχύς εισόδου (kW)

TC: Capacidad total (kW)
PI: Potencia consumida (kW)

TC: Puissance totale (kW)
PI: Puissance absorbée (kW)

TC: Capacità totale (kW)
PI: Potenza assorbita (kW)

TC: Totale capaciteit (kW)
PI: Organomen vermogen (kW)

TC: Общая мощность (кВт)
PI: Входная мощность (кВт)

TC: Toplam kapasite (kW)
PI: Güç girişi (kW)

**NOTES - ANMERKUNGEN - ΣΗΜΕΙΩΣΕΙΣ - NOTAS - REMARQUES - NOTE
OPMERKINGEN - ПРИМЕЧАНИЯ - NOTLAR**

1 Capacities are based on the following conditions.
- Corresponding refrigerant piping length: 5.0m
- Level difference: 0m
Die Kapazität basiert auf den folgenden Bedingungen:
- Entsprechende Kältemittelrohrlänge: 5,0m
- Höhenunterschied: 0m
Οι αποδόσεις βασίζονται στις ακόλουθες συνθήκες.
- Αντιστοίχο μήκος σωληνώσεων ψυκτικού: 5,0m
- Υψομετρική διαφορά: 0m
Las capacidades se basan en las siguientes condiciones.
- Longitud de tubería de refrigerante equivalente: 5,0m
- Diferencia de nivel: 0m
Les puissances sont basées sur les conditions suivantes.
- Longueur de tuyauterie correspondante du réfrigérant : 5,0m
- Dénivellation: 0m
Le capacità si basano sulle seguenti condizioni.
- Lunghezza equivalente delle tubazioni del refrigerante: 5,0m
- Dislivello: 0m
De capaciteit is gebaseerd op de volgende situatie.
- Overeenstemmende leidinglengte koelvloeistof: 5,0m
- Niveaunderschil: 0m
Данные мощности основаны на следующих условиях.
- Соответствующая длина трубы охлаждения: 5,0m
- Разность уровней: 0м
Kapasiteler aşağıdaki koşullara bağlıdır
- İlgili soğutucu boru uzunluğu: 5,0m
- Seviye farkı: 0m

2 The above is the value for connecting with the following indoor units.
1.5; 2.0; 2.5; 3.5kW class; wall mounted K series.
Der obige Wert gilt für den Anschluss an die folgenden Innengeräte.
Klasse 1.5; 2.0; 2.5; 3,5kW Wandgerät vom Typ K.
Η παραπάνω είναι τιμή για σύνδεση με τις παρακάτω εσωτερικές μονάδες. Κατηγορία
1.5; 2.0; 2.5; 3,5kW επίτοιχη σειρά K.
El valor anterior es válido para la conexión con las unidades interiores siguientes.
Clase 1.5; 2.0; 2.5; 3,5kW unidad de pared de la serie K.
La valeur ci-avant est la valeur pour la connexion aux unités intérieures suivantes.
Série murale K, classe 1.5; 2.0; 2.5; 3,5kW.
Il valore indicato in alto si riferisce al collegamento delle seguenti unità interne.
Classe 1.5; 2.0; 2.5; 3,5kW serie a parete K.
Bovenstaande waarde is de waarde voor verbinding met de volgende binnunits.
Klasse 1.5; 2.0; 2.5; 3,5kW reeks K voor wandmontage.
Значение выше является значением для подсоединения со следующими
внутренними блоками. Класс 1.5; 2.0; 2.5; 3.5кВт настенный блок серии K.
Yukarıdaki değer aşağıdaki iç ünitelerle bağlantı için dir.
1.5; 2.0; 2.5; 3,5kW sınıfı; duvar tipi K serisi.

5 Capacity tables

5 - 2 Cooling Capacity Tables

2MXS40H Cooling (50Hz 230V)

Combination (Capacity)	Outdoor air temp. °CDB	Indoor air temp. °CWB											
		14°C		16°C		18°C		19°C		22°C		24°C	
		TC kW	PI kW	TC kW	PI kW	TC kW	PI kW	TC kW	PI kW	TC kW	PI kW	TC kW	PI kW
2.5+3.5	10.0	5.14	0.94	5.35	0.96	5.56	0.98	5.67	0.99	5.99	1.03	6.20	1.05
	12.0	5.06	0.96	5.27	0.98	5.48	1.00	5.59	1.01	5.90	1.05	6.12	1.07
	15.0	4.93	0.99	5.14	1.02	5.35	1.04	5.46	1.05	5.77	1.08	5.99	1.10
	18.0	4.80	1.03	5.01	1.05	5.22	1.07	5.33	1.08	5.65	1.11	5.86	1.13
	20.0	4.71	1.05	4.92	1.07	5.14	1.09	5.24	1.10	5.56	1.14	5.77	1.16
	22.0	4.63	1.08	4.84	1.10	5.05	1.12	5.16	1.13	5.47	1.16	5.69	1.18
	25.0	4.50	1.12	4.71	1.14	4.92	1.16	5.03	1.17	5.35	1.20	5.56	1.22
	28.0	4.37	1.16	4.58	1.18	4.79	1.20	4.90	1.21	5.22	1.24	5.43	1.26
	32.0	4.20	1.21	4.41	1.23	4.62	1.26	4.73	1.27	5.05	1.30	5.26	1.32
	35.0	4.07	1.26	4.28	1.28	4.49	1.30	4.60	1.31	4.92	1.34	5.13	1.36
	40.0	3.86	1.34	4.07	1.36	4.28	1.38	4.39	1.39	4.70	1.42	4.92	1.44
	43.0	3.73	1.39	3.94	1.41	4.15	1.43	4.26	1.44	4.58	1.47	4.79	1.50
	46.0	3.36	1.30	3.52	1.30	3.67	1.30	3.75	1.30	3.97	1.30	4.11	1.30

3D075154

SYMBOLS - ABKÜRZUNGEN ΣΥΜΒΟΛΑ - SIMBOLOS SIMBOLES - SIMBOLI VERKLARING - ОБОЗНАЧЕНИЯ SEMBOLER

TC: Total capacity (kW)
PI: Power input (kW)

TC: Gesamtleistung (kW)
PI: Leistungsaufnahme (kW)

TC: Συνολική απόδοση (kW)
PI: Ισχύς εισόδου (kW)

TC: Capacidad total (kW)
PI: Potencia consumida (kW)

TC: Puissance totale (kW)
PI: Puissance absorbée (kW)

TC: Capacità totale (kW)
PI: Potenza assorbita (kW)

TC: Totale capaciteit (kW)
PI: Opgenomen vermogen (kW)

TC: Общая мощность (кВт)
PI: Входная мощность (кВт)

TC: Toplam kapasite (kW)
PI: Güç girişi (kW)

NOTES - ANMERKUNGEN - ΣΗΜΕΙΩΣΕΙΣ - NOTAS - REMARQUES - NOTE OPMERKINGEN - ПРИМЕЧАНИЯ - NOTLAR

1 Capacities are based on the following conditions.
- Corresponding refrigerant piping length: 5.0m
- Level difference: 0m
Die Kapazität basiert auf den folgenden Bedingungen:
- Entsprechende Kältemittelrohrlänge: 5,0m
- Höhenunterschied: 0m
Οι αποδόσεις βασίζονται στις ακόλουθες συνθήκες.
- Αντιστοίχο μήκος σωληνώσεων ψυκτικού: 5,0m
- Ύψομετρική διαφορά: 0m
Las capacidades se basan en las siguientes condiciones.
- Longitud de tubería de refrigerante equivalente: 5,0m
- Diferencia de nivel: 0m
Les puissances sont basées sur les conditions suivantes.
- Longueur de tuyauterie correspondante du réfrigérant: 5,0m
- Dénivellation: 0m
Le capacità si basano sulle seguenti condizioni.
- Lunghezza equivalente delle tubazioni del refrigerante: 5,0m
- Dislivello: 0m
De capaciteit is gebaseerd op de volgende situatie.
- Overeenstemmende leidinglengte koelvloeistof: 5,0m
- Niveaueverschil: 0m
Данные мощности основаны на следующих условиях.
- Соответствующая длина трубы охлаждения: 5,0m
- Разность уровней - 0m
Kapasiteler aşağıdaki koşullara bağlıdır
- İlgili soğutucu boru uzunluğu: 5,0m
- Seviye farkı: 0m

2 The above is the value for connecting with the following indoor units.
1.5; 2.0; 2.5; 3.5kW class; wall mounted K series.
Der obige Wert gilt für den Anschluss an die folgenden Innengeräte.
Klasse 1,5; 2,0; 2,5; 3,5kW Wandgerät vom Typ K.
Η παραπάνω είναι τιμή για σύνδεση με τις παρακάτω εσωτερικές μονάδες. Κατηγορία 1,5; 2,0; 2,5; 3,5kW επίτοιχη σειρά K.
El valor anterior es válido para la conexión con las unidades interiores siguientes.
Clase 1,5; 2,0; 2,5; 3,5kW unidad de pared de la serie K.
La valeur ci-avant est la valeur pour la connexion aux unités intérieures suivantes.
Série murale K, classe 1,5; 2,0; 2,5; 3,5kW.
Il valore indicato in alto si riferisce al collegamento delle seguenti unità interne.
Classe 1,5; 2,0; 2,5; 3,5kW serie a parete K.
Bovenstaande waarde is de waarde voor verbinding met de volgende binneneenheden.
Klasse 1,5; 2,0; 2,5; 3,5kW reeks K voor wandmontage.
Значение выше является значением для подсоединения со следующими внутренними блоками. Класс 1,5; 2,0; 2,5; 3,5кВт настенный блок серии K.
Yukandaki değer aşağıdaki iç ünitelerle bağlantı içindir.
1,5; 2,0; 2,5; 3,5kW sınıfı; duvar tipi K serisi.

5 Capacity tables

5 - 2 Cooling Capacity Tables

5

2MXS50H
Cooling (50Hz 230V)

Combination (Capacity)	Outdoor air temp. °CDB	Indoor air temp. °CWB											
		14°C		16°C		18°C		19°C		22°C		24°C	
		TC kW	PI kW	TC kW	PI kW	TC kW	PI kW	TC kW	PI kW	TC kW	PI kW	TC kW	PI kW
1.5	10.0	2.22	0.29	2.32	0.30	2.41	0.31	2.45	0.31	2.59	0.32	2.68	0.33
	12.0	2.19	0.30	2.28	0.31	2.37	0.31	2.42	0.32	2.55	0.33	2.65	0.33
	15.0	2.13	0.31	2.22	0.32	2.31	0.32	2.36	0.33	2.50	0.34	2.59	0.34
	18.0	2.08	0.32	2.17	0.33	2.26	0.33	2.31	0.34	2.44	0.35	2.53	0.35
	20.0	2.04	0.33	2.13	0.34	2.22	0.34	2.27	0.35	2.41	0.36	2.50	0.36
	22.0	2.00	0.34	2.09	0.34	2.19	0.35	2.23	0.35	2.37	0.36	2.46	0.37
	25.0	1.95	0.35	2.04	0.36	2.13	0.36	2.18	0.37	2.31	0.38	2.40	0.38
	28.0	1.89	0.36	1.98	0.37	2.07	0.37	2.12	0.38	2.26	0.39	2.35	0.39
	32.0	1.82	0.38	1.91	0.39	2.00	0.39	2.05	0.40	2.18	0.41	2.27	0.41
	35.0	1.76	0.39	1.85	0.40	1.94	0.41	1.99	0.41	2.13	0.42	2.22	0.43
	40.0	1.67	0.42	1.76	0.43	1.85	0.43	1.90	0.44	2.03	0.45	2.13	0.45
43.0	1.61	0.44	1.70	0.44	1.80	0.45	1.84	0.45	1.98	0.46	2.07	0.47	
46.0	1.56	0.45	1.65	0.46	1.74	0.46	1.79	0.47	1.92	0.48	2.02	0.48	
2.0	10.0	2.91	0.42	3.03	0.43	3.15	0.44	3.21	0.44	3.38	0.45	3.50	0.47
	12.0	2.86	0.43	2.98	0.44	3.10	0.44	3.16	0.45	3.34	0.46	3.46	0.47
	15.0	2.78	0.44	2.90	0.45	3.02	0.46	3.08	0.46	3.26	0.48	3.38	0.49
	18.0	2.71	0.46	2.83	0.46	2.95	0.47	3.01	0.48	3.19	0.49	3.31	0.50
	20.0	2.66	0.47	2.78	0.48	2.90	0.48	2.96	0.49	3.14	0.50	3.26	0.51
	22.0	2.62	0.48	2.74	0.49	2.85	0.50	2.91	0.50	3.09	0.51	3.21	0.52
	25.0	2.54	0.49	2.66	0.50	2.78	0.51	2.84	0.52	3.02	0.53	3.14	0.54
	28.0	2.47	0.51	2.59	0.52	2.71	0.53	2.77	0.54	2.95	0.55	3.07	0.56
	32.0	2.37	0.54	2.49	0.55	2.61	0.56	2.67	0.56	2.85	0.57	2.97	0.58
	35.0	2.30	0.56	2.42	0.57	2.54	0.58	2.60	0.58	2.78	0.59	2.90	0.60
	40.0	2.18	0.59	2.30	0.60	2.42	0.61	2.48	0.62	2.66	0.63	2.78	0.64
43.0	2.11	0.62	2.23	0.62	2.35	0.63	2.41	0.64	2.59	0.65	2.71	0.66	
46.0	2.03	0.64	2.15	0.65	2.27	0.66	2.33	0.66	2.51	0.68	2.63	0.69	
2.5	10.0	3.46	0.58	3.61	0.59	3.75	0.60	3.82	0.61	4.04	0.63	4.18	0.64
	12.0	3.41	0.59	3.55	0.60	3.69	0.61	3.76	0.62	3.98	0.64	4.12	0.65
	15.0	3.32	0.61	3.46	0.62	3.61	0.63	3.68	0.64	3.89	0.66	4.03	0.67
	18.0	3.23	0.63	3.38	0.64	3.52	0.65	3.59	0.66	3.81	0.68	3.95	0.69
	20.0	3.18	0.64	3.32	0.66	3.46	0.67	3.53	0.67	3.75	0.69	3.89	0.71
	22.0	3.12	0.66	3.26	0.67	3.40	0.68	3.48	0.69	3.69	0.71	3.83	0.72
	25.0	3.03	0.68	3.17	0.69	3.32	0.71	3.39	0.71	3.60	0.73	3.75	0.75
	28.0	2.95	0.71	3.09	0.72	3.23	0.73	3.30	0.74	3.52	0.76	3.66	0.77
	32.0	2.83	0.74	2.97	0.75	3.12	0.77	3.19	0.77	3.40	0.79	3.54	0.81
	35.0	2.74	0.77	2.89	0.78	3.03	0.79	3.10	0.80	3.31	0.82	3.46	0.83
	40.0	2.60	0.82	2.74	0.83	2.88	0.84	2.96	0.85	3.17	0.87	3.31	0.88
43.0	2.51	0.85	2.65	0.86	2.80	0.87	2.87	0.88	3.08	0.90	3.23	0.91	
46.0	2.43	0.88	2.57	0.89	2.71	0.91	2.78	0.91	3.00	0.93	3.14	0.95	

3D075211

**SYMBOLS - ABKÜRZUNGEN
ΣΥΜΒΟΛΑ - SIMBOLOS
SIMBOLES - SIMBOLI
VERKLARING - ОБОЗНАЧЕНИЯ
SEMBOLLER**

TC: Total capacity (kW)
PI: Power input (kW)

TC: Gesamtleistung (kW)
PI: Leistungsaufnahme (kW)

TC: Συνολική απόδοση (kW)
PI: Ισχύς εισόδου (kW)

TC: Capacidad total (kW)
PI: Potencia consumida (kW)

TC: Puissance totale (kW)
PI: Puissance absorbée (kW)

TC: Capacità totale (kW)
PI: Potenza assorbita (kW)

TC: Totale capaciteit (kW)
PI: Opgenomen vermogen (kW)

TC: Общая мощность (кВт)
PI: Входная мощность (кВт)

TC: Toplam kapasite (kW)
PI: Güç girişi (kW)

**NOTES - ANMERKUNGEN - ΣΗΜΕΙΩΣΕΙΣ - NOTAS - REMARQUES - NOTE
OPMERKINGEN - ПРИМЕЧАНИЯ - NOTLAR**

1 Capacities are based on the following conditions.
- Corresponding refrigerant piping length: 5m
- Level difference: 0m
Die Kapazität basiert auf den folgenden Bedingungen:
- Entsprechende Kältemittelrohrlänge: 5m
- Höhenunterschied: 0m
Οι αποδόσεις βασίζονται στις ακόλουθες συνθήκες:
- Αντιστοίχο μήκος σωληνώσεων ψυκτικού: 5m
- Ύψομετρική διαφορά: 0m
Las capacidades se basan en las siguientes condiciones.
- Longitud de tubería de refrigerante equivalente: 5m
- Diferencia de nivel: 0m
Les puissances sont basées sur les conditions suivantes.
- Longueur de tuyauterie correspondante du réfrigérant: 5m
- Dénivellement: 0m
Le capacità si basano sulle seguenti condizioni.
- Lunghezza equivalente delle tubazioni del refrigerante: 5m
- Dislivello: 0m
De capaciteit is gebaseerd op de volgende situatie.
- Overeenstemmende leidinglengte koelvloeistof: 5m
- Niveaunderschil: 0m
Данные мощности основаны на следующих условиях.
- Соответствующая длина трубы охлаждения: 5м
- Разность уровней: 0м
Kapasiteler aşağıdaki koşullara bağlıdır
- İlgili sözcük boru uzunluğu: 5m
- Seviye farkı: 0m

2 The bold line is indicated the standard condition.
Die dicke Linie kennzeichnet die Standardbedingung.
Η έντονη γραμμή υποδηλώνει την κανονική κατάσταση.
La línea en negra indica las condiciones estándar.

La ligne en gras indique un état standard.
La linea in grassetto indica la condizione standard.
De vette lijn duidt de standaardtoestand aan.
Жирная линия указывает стандартное условие.
Kalın çizgi standart koşullu olarak belirtilmektedir.

3 The above is the value for connecting with the following indoor units. 1.5; 2.0; 2.5; 3.5kW class; wall mounted K series. 4.2; 5.0kW class; wall mounted J series.
Der obere Wert gilt für den Anschluss an die folgenden Innengeräte. Klasse 1.5; 2.0; 2.5; 3.5kW Wandgerät vom Typ K. Klasse 4.2; 5.0kW Wandgerät vom Typ J.
Η παραπάνω είναι τιμή για σύνδεση με τις παρακάτω εσωτερικές μονάδες. Κατηγορία 1.5; 2.0; 2.5; 3.5kW επίτοιχη σειρά K. Κατηγορία 4.2; 5.0kW επίτοιχη σειρά J.
El valor anterior es válido para la conexión con las unidades interiores siguientes. Clase 1.5; 2.0; 2.5; 3.5kW unidad de pared de la serie K. Clase 4.2; 5.0kW unidad de pared de la serie J.
La valeur ci-avant est la valeur pour la connexion aux unités intérieures suivantes. Série murale K, classe 1.5; 2.0; 2.5; 3.5kW. Série murale J, classe 4.2; 5.0kW.
Il valore indicato in alto si riferisce al collegamento delle seguenti unità interne. Classe 1.5; 2.0; 2.5; 3.5kW serie a parete K. Classe 4.2; 5.0kW serie a parete J.
Bovenstaande waarde is de waarde voor verbinding met de volgende binnenunits. Klasse 1.5; 2.0; 2.5; 3.5kW reeks K voor wandmontage. Klasse 4.2; 5.0kW reeks J voor wandmontage.
Значение выше является значением для подсоединения со следующими внутренними блоками. Класс 1.5; 2.0; 2.5; 3.5кВт настенный блок серии K. Класс 4.2; 5.0кВт настенный блок серии J.
Yukarıdaki değer aşağıdaki iç ünitelere bağlantı içindir. 1.5; 2.0; 2.5; 3.5kW sınıfı; duvar tipi K serisi. 4.2; 5.0kW sınıfı; duvar tipi J serisi.

5 Capacity tables

5 - 2 Cooling Capacity Tables

2MXS50H Cooling (50Hz 230V)

Combination (Capacity)	Outdoor air temp. °CDB	Indoor air temp. °CWB											
		14°C		16°C		18°C		19°C		22°C		24°C	
		TC kW	PI kW	TC kW	PI kW	TC kW	PI kW	TC kW	PI kW	TC kW	PI kW	TC kW	PI kW
3.5	10.0	4.00	0.77	4.65	0.91	4.84	0.93	4.93	0.94	5.21	0.97	5.39	0.99
	12.0	4.00	0.80	4.58	0.93	4.76	0.95	4.86	0.96	5.13	0.99	5.32	1.01
	15.0	4.00	0.86	4.47	0.96	4.65	0.98	4.75	0.99	5.02	1.02	5.21	1.04
	18.0	4.00	0.92	4.36	0.99	4.54	1.01	4.63	1.02	4.91	1.05	5.09	1.07
	20.0	4.00	0.96	4.28	1.02	4.47	1.04	4.56	1.05	4.84	1.08	5.02	1.09
	22.0	4.00	1.01	4.21	1.04	4.39	1.06	4.48	1.07	4.76	1.10	4.94	1.12
	25.0	3.91	1.06	4.10	1.08	4.28	1.10	4.37	1.11	4.65	1.14	4.83	1.15
	28.0	3.80	1.09	3.98	1.11	4.17	1.13	4.26	1.14	4.54	1.17	4.72	1.19
	32.0	3.65	1.15	3.84	1.17	4.02	1.19	4.11	1.20	4.39	1.23	4.57	1.25
	35.0	3.54	1.19	3.72	1.21	3.91	1.23	4.00	1.24	4.28	1.27	4.46	1.29
40.0	3.35	1.27	3.54	1.29	3.72	1.31	3.81	1.32	4.09	1.35	4.27	1.37	
43.0	3.24	1.32	3.43	1.34	3.61	1.36	3.70	1.37	3.98	1.40	4.16	1.42	
46.0	3.13	1.37	3.31	1.39	3.50	1.41	3.59	1.42	3.87	1.45	4.05	1.47	
4.2	10.0	3.50	0.74	4.30	0.95	5.16	1.19	5.61	1.33	6.12	1.45	6.34	1.48
	12.0	3.50	0.78	4.30	0.99	5.16	1.25	5.61	1.39	6.03	1.48	6.25	1.51
	15.0	3.50	0.82	4.30	1.06	5.16	1.33	5.58	1.48	5.90	1.52	6.12	1.55
	18.0	3.50	0.88	4.30	1.13	5.16	1.43	5.44	1.53	5.77	1.57	5.99	1.60
	20.0	3.50	0.92	4.30	1.18	5.16	1.50	5.36	1.56	5.68	1.60	5.90	1.63
	22.0	3.50	0.96	4.30	1.24	5.16	1.58	5.27	1.59	5.59	1.64	5.81	1.67
	25.0	3.50	1.03	4.30	1.33	5.03	1.63	5.14	1.65	5.46	1.69	5.68	1.72
	28.0	3.50	1.11	4.30	1.44	4.90	1.69	5.01	1.71	5.33	1.75	5.55	1.78
	32.0	3.50	1.23	4.30	1.61	4.72	1.77	4.83	1.79	5.16	1.83	5.37	1.86
	35.0	3.50	1.33	4.30	1.75	4.59	1.84	4.70	1.85	5.02	1.90	5.24	1.93
40.0	3.50	1.54	4.16	1.92	4.37	1.95	4.48	1.97	4.81	2.01	5.02	2.04	
43.0	3.50	1.69	4.03	1.99	4.24	2.02	4.35	2.04	4.67	2.08	4.89	2.11	
46.0	3.50	1.86	3.89	2.07	4.11	2.10	4.22	2.11	4.54	2.16	4.76	2.19	
5.0	10.0	3.92	0.85	4.82	1.10	5.78	1.40	6.29	1.57	6.64	1.62	6.87	1.65
	12.0	3.92	0.89	4.82	1.15	5.78	1.46	6.19	1.60	6.54	1.65	6.78	1.69
	15.0	3.92	0.95	4.82	1.23	5.78	1.57	6.05	1.65	6.40	1.70	6.64	1.74
	18.0	3.92	1.01	4.82	1.31	5.78	1.69	5.91	1.71	6.26	1.76	6.49	1.79
	20.0	3.92	1.06	4.82	1.38	5.69	1.73	5.81	1.75	6.16	1.79	6.40	1.83
	22.0	3.92	1.11	4.82	1.45	5.60	1.77	5.72	1.78	6.07	1.83	6.30	1.87
	25.0	3.92	1.19	4.82	1.56	5.46	1.83	5.57	1.85	5.93	1.89	6.16	1.93
	28.0	3.92	1.29	4.82	1.69	5.31	1.89	5.43	1.91	5.78	1.96	6.02	1.99
	32.0	3.92	1.43	4.82	1.90	5.12	1.98	5.24	2.00	5.59	2.05	5.83	2.08
	35.0	3.92	1.56	4.75	2.02	4.98	2.06	5.10	2.07	5.45	2.12	5.69	2.15
40.0	3.92	1.81	4.51	2.15	4.75	2.18	4.86	2.20	5.21	2.25	5.42	2.25	
43.0	3.92	1.99	4.37	2.23	4.59	2.25	4.70	2.25	5.01	2.25	5.21	2.25	
46.0	3.92	2.21	4.19	2.25	4.41	2.25	4.51	2.25	4.82	2.25	5.01	2.25	

3D075211

SYMBOLS - ABKÜRZUNGEN ΣΥΜΒΟΛΑ - SIMBOLOS SIMBOLES - SIMBOLI VERKLARING - ОБОЗНАЧЕНИЯ SEMBOLLER

TC: Total capacity (kW)
PI: Power input (kW)
TC: Gesamtleistung (kW)
PI: Leistungsaufnahme (kW)
TC: Συνολική απόδοση (kW)
PI: Ισχύς εισόδου (kW)
TC: Capacidad total (kW)
PI: Potencia consumida (kW)
TC: Puissance totale (kW)
PI: Puissance absorbée (kW)
TC: Capacità totale (kW)
PI: Potenza assorbita (kW)
TC: Totale capaciteit (kW)
PI: Opgenomen vermogen (kW)
TC: Общая мощность (кВт)
PI: Входная мощность (кВт)
TC: Toplam kapasite (kW)
PI: Güç girişi (kW)

NOTES - ANMERKUNGEN - ΣΗΜΕΙΩΣΕΙΣ - NOTAS - REMARQUES - NOTE OPMERKINGEN - ПРИМЕЧАНИЯ - NOTLAR

1 Capacities are based on the following conditions.
- Corresponding refrigerant piping length: 5m
- Level difference: 0m
Die Kapazität basiert auf den folgenden Bedingungen:
- Entsprechende Kältemittelrohrlänge: 5m
- Höhenunterschied: 0m
Οι αποδόσεις βασίζονται στις ακόλουθες συνθήκες.
- Ανορθόγωνα μήκος σωληνώσεων ψυκτικού: 5m
- Υψομετρική διαφορά :0m
Las capacidades se basan en las siguientes condiciones.
- Longitud de tubería de refrigerante equivalente : 5m
- Diferencia de nivel: 0m
Les puissances sont basées sur les conditions suivantes.
- Longueur de tuyauterie correspondante du réfrigérant : 5m
- Dénivellement: 0m
Le capacità si basano sulle seguenti condizioni.
- Lunghezza equivalente delle tubazioni del refrigerante: 5m
- Dislivello: 0m
De capaciteit is gebaseerd op de volgende situatie.
- Overeenstemmende leidinglengte koelvoieslot: 5m
- Niveaunderschil: 0m
Данные мощности основаны на следующих условиях.
- Соответствующая длина трубы охлаждения: 5m
- Разность уровней - 0m
Kapasiteier aşğıdaki koşullara bağıdır
- İlgili soğutucu boru uzunluğu: 5m
- Seviye farkı: 0m
2 The bold line **█** is indicated the standard condition.
Die dicke Linie **█** kennzeichnet die Standardbedingung.
Η έντονη γραμμή **█** υποδηλώνει την κανονική κατάσταση.
La línea en negrita **█** indica las condiciones estándar.

La ligne en gras **█** indique un état standard.
La linea in grassetto **█** indica la condizione standard.
De vette lijn **█** duidt de standaardtoestand aan.
Жирная линия **█** указывает стандартное условие.
Kalın çizgi **█** standart koşullu olarak belirtilmektedir.

3 The above is the value for connecting with the following indoor units. 1.5; 2.0; 2.5; 3.5kW class; wall mounted K series. 4.2; 5.0kW class; wall mounted J series.
Der obige Wert gilt für den Anschluss an die folgenden Innengeräte. Klasse 1,5; 2,0; 2,5; 3,5kW Wandgerät vom Typ K. Klasse 4,2; 5,0kW Wandgerät vom Typ J.
Η παραπάνω είναι τιμή για σύνδεση με τις παρακάτω εσωτερικές μονάδες. Κατηγορία 1,5; 2,0; 2,5; 3,5kW επιτοίχιο σειρά K. Κατηγορία 4,2; 5,0kW επιτοίχιο σειρά J.
El valor anterior es válido para la conexión con las unidades interiores siguientes. Clase 1,5; 2,0; 2,5; 3,5kW unidad de pared de la serie K. Clase 4,2; 5,0kW unidad de pared de la serie J.
La valeur ci-avant est la valeur pour la connexion aux unités intérieures suivantes. Série murale K, classe 1,5; 2,0; 2,5; 3,5kW. Série murale J, classe 4,2; 5,0kW.
Il valore indicato in alto si riferisce al collegamento delle seguenti unità interne. Classe 1,5; 2,0; 2,5; 3,5kW serie a parete K. Classe 4,2; 5,0kW serie a parete J.
Bovenstaande waarde is de waarde voor verbinding met de volgende binnenunits. Klasse 1,5; 2,0; 2,5; 3,5kW reeks K voor wandmontage. Klasse 4,2; 5,0kW reeks J voor wandmontage.
Значение выше является значением для подсоединения со следующими внутренними блоками. Класс 1,5; 2,0; 2,5; 3,5кВт настенный блок серии K. Класс 4,2; 5,0кВт настенный блок серии J.
Yukarıdaki değer aşağıdaki iç ünitelerle bağlantı içindir. 1,5; 2,0; 2,5; 3,5kW sınıfı; duvar tipi K serisi. 4,2; 5,0kW sınıfı; duvar tipi J serisi.

5 Capacity tables

5 - 2 Cooling Capacity Tables

2MXS50H Cooling (50Hz 230V)

Combination (Capacity)	Outdoor air temp. °CDB	Indoor air temp. °CWB															
		14°C		16°C		18°C		19°C		22°C		24°C					
		TC kW	PI kW	TC kW	PI kW	TC kW	PI kW	TC kW	PI kW	TC kW	PI kW	TC kW	PI kW				
1.5+1.5	10.0	3.52	0.42	3.67	0.43	3.81	0.44	3.88	0.44	4.10	0.46	4.25	0.49				
	12.0	3.46	0.43	3.61	0.44	3.75	0.44	3.82	0.45	4.04	0.46	4.19	0.49				
	15.0	3.37	0.44	3.52	0.45	3.66	0.46	3.74	0.46	3.95	0.48	4.10	0.49				
	18.0	3.29	0.46	3.43	0.46	3.58	0.47	3.65	0.48	3.87	0.49	4.01	0.50				
	20.0	3.23	0.47	3.37	0.48	3.52	0.48	3.59	0.49	3.81	0.50	3.95	0.51				
	22.0	3.17	0.48	3.31	0.49	3.46	0.50	3.53	0.50	3.75	0.51	3.89	0.52				
	25.0	3.08	0.49	3.23	0.50	3.37	0.51	3.44	0.52	3.66	0.53	3.81	0.54				
	28.0	2.99	0.51	3.14	0.52	3.28	0.53	3.36	0.54	3.57	0.55	3.72	0.56				
	32.0	2.88	0.54	3.02	0.55	3.17	0.56	3.24	0.56	3.46	0.57	3.60	0.58				
	35.0	2.79	0.56	2.93	0.57	3.08	0.58	3.15	0.58	3.37	0.59	3.51	0.60				
	40.0	2.64	0.59	2.79	0.60	2.93	0.61	3.00	0.62	3.22	0.63	3.37	0.64				
	43.0	2.55	0.62	2.70	0.62	2.84	0.63	2.92	0.64	3.13	0.65	3.28	0.66				
46.0	2.46	0.64	2.61	0.65	2.75	0.66	2.83	0.66	3.05	0.68	3.19	0.69					
1.5+2.0	10.0	4.17	0.54	4.34	0.55	4.51	0.56	4.60	0.57	4.86	0.60	5.03	0.63				
	12.0	4.10	0.55	4.27	0.56	4.44	0.58	4.53	0.58	4.79	0.60	4.96	0.63				
	15.0	4.00	0.57	4.17	0.58	4.34	0.59	4.42	0.60	4.68	0.62	4.85	0.63				
	18.0	3.89	0.59	4.06	0.60	4.23	0.61	4.32	0.62	4.58	0.64	4.75	0.65				
	20.0	3.82	0.60	3.99	0.61	4.17	0.63	4.25	0.63	4.51	0.65	4.68	0.66				
	22.0	3.75	0.62	3.92	0.63	4.10	0.64	4.18	0.65	4.44	0.66	4.61	0.68				
	25.0	3.65	0.64	3.82	0.65	3.99	0.66	4.08	0.67	4.34	0.69	4.51	0.70				
	28.0	3.54	0.66	3.72	0.67	3.89	0.69	3.97	0.69	4.23	0.71	4.40	0.72				
	32.0	3.40	0.69	3.58	0.71	3.75	0.72	3.83	0.72	4.09	0.74	4.26	0.75				
	35.0	3.30	0.72	3.47	0.73	3.64	0.74	3.73	0.75	3.99	0.77	4.16	0.78				
	40.0	3.13	0.77	3.30	0.78	3.47	0.79	3.56	0.80	3.81	0.81	3.99	0.83				
	43.0	3.02	0.80	3.19	0.81	3.37	0.82	3.45	0.83	3.71	0.84	3.88	0.86				
46.0	2.92	0.83	3.09	0.84	3.26	0.85	3.35	0.86	3.61	0.87	3.78	0.89					
1.5+2.5	10.0	4.73	0.70	4.92	0.71	5.12	0.73	5.21	0.74	5.51	0.76	5.70	0.79				
	12.0	4.65	0.71	4.84	0.73	5.04	0.74	5.14	0.75	5.43	0.77	5.62	0.79				
	15.0	4.53	0.74	4.73	0.75	4.92	0.77	5.02	0.78	5.31	0.80	5.51	0.81				
	18.0	4.41	0.76	4.61	0.78	4.80	0.79	4.90	0.80	5.19	0.82	5.39	0.84				
	20.0	4.33	0.78	4.53	0.79	4.72	0.81	4.82	0.82	5.11	0.84	5.31	0.86				
	22.0	4.25	0.80	4.45	0.81	4.64	0.83	4.74	0.84	5.03	0.86	5.23	0.87				
	25.0	4.14	0.83	4.33	0.84	4.53	0.86	4.62	0.86	4.92	0.89	5.11	0.90				
	28.0	4.02	0.86	4.21	0.87	4.41	0.89	4.51	0.89	4.80	0.92	4.99	0.93				
	32.0	3.86	0.90	4.06	0.91	4.25	0.93	4.35	0.94	4.64	0.96	4.84	0.98				
	35.0	3.74	0.93	3.94	0.95	4.13	0.96	4.23	0.97	4.52	0.99	4.72	1.01				
	40.0	3.55	0.99	3.74	1.01	3.94	1.02	4.03	1.03	4.33	1.05	4.52	1.07				
	43.0	3.43	1.03	3.62	1.05	3.82	1.06	3.91	1.07	4.21	1.09	4.40	1.11				
46.0	3.31	1.07	3.50	1.08	3.70	1.10	3.80	1.11	4.09	1.13	4.28	1.15					

3D075212

SYMBOLS - ABKÜRZUNGEN ΣΥΜΒΟΛΑ - SIMBOLOS SIMBOLES - SIMBOLI VERKLARING - ОБОЗНАЧЕНИЯ SEMBOLLER

TC: Total capacity (kW)
PI: Power input (kW)

TC: Gesamtleistung (kW)
PI: Leistungsaufnahme (kW)

TC: Συνολική απόδοση (kW)
PI: Ισχύς εισόδου (kW)

TC: Capacidad total (kW)
PI: Potencia consumida (kW)

TC: Puissance totale (kW)
PI: Puissance absorbée (kW)

TC: Capacità totale (kW)
PI: Potenza assorbita (kW)

TC: Totale capaciteit (kW)
PI: Opgenomen vermogen (kW)

TC: Общая мощность (кВт)
PI: Входная мощность (кВт)

TC: Toplam kapasite (kW)
PI: Güç girişi (kW)

NOTES - ANMERKUNGEN - ΣΗΜΕΙΩΣΕΙΣ - NOTAS - REMARQUES - NOTE OPMERKINGEN - ПРИМЕЧАНИЯ - NOTLAR

1 Capacities are based on the following conditions.
- Corresponding refrigerant piping length: 5m
- Level difference: 0m
Die Kapazität basiert auf den folgenden Bedingungen:
- Entsprechende Kältemittelrohrlänge: 5m
- Höhenunterschied: 0m
Οι αποδόσεις βασίζονται στις ακόλουθες συνθήκες:
- Αντιστοίχο μήκος σωληνώσεων ψυκτικού: 5m
- Υψομετρική διαφορά: 0m
Las capacidades se basan en las siguientes condiciones.
- Longitud de tubería de refrigerante equivalente: 5m
- Diferencia de nivel: 0m
Les puissances sont basées sur les conditions suivantes.
- Longueur de tuyauterie correspondante du réfrigérant : 5m
- Dénivellation: 0m
Le capacità si basano sulle seguenti condizioni.
- Lunghezza equivalente delle tubazioni del refrigerante: 5m
- Dislivello: 0m
De capaciteit is gebaseerd op de volgende situatie.
- Overeenstemmende leidinglengte koelvloeistof: 5m
- Niveaunderschil: 0m
Данные мощности основаны на следующих условиях.
- Соответствующая длина трубы охлаждения: 5м
- Разность уровней - 0м
Kapasiteler aşağıdaki koşullara bağlıdır
- İlgili sözcüğü boru uzunluğu: 5m
- Seviye farkı: 0m

2 The bold line **□** is indicated the standard condition.
Die dicke Linie **□** kennzeichnet die Standardbedingung.
Η έντονη γραμμή **□** υποδηλώνει την κλιματική κατάσταση.
La línea en negrita **□** indica las condiciones estándar.

La ligne en gras **□** indique un état standard.
La linea in grassetto **□** indica la condizione standard.
De vette lijn **□** duidt de standaardtoestand aan.
Жирная линия **□** указывает стандартное условие.
Kalın çizgi **□** standart koşul olarak belirtilmektedir.

3 The above is the value for connecting with the following indoor units. 1.5; 2.0; 2.5; 3.5kW class; wall mounted K series. 4.2; 5.0kW class; wall mounted J series.
Der obere Wert gilt für den Anschluss an die folgenden Innengeräte. Klasse 1.5; 2.0; 2.5; 3.5kW Wandgerät vom Typ K. Klasse 4.2; 5.0kW Wandgerät vom Typ J.
Η παραπάνω είναι τιμή για σύνδεση με τις παρακάτω εσωτερικές μονάδες. Κατηγορία 1.5; 2.0; 2.5; 3,5kW επίτοιχο σειρά K. Κατηγορία 4.2; 5,0kW επίτοιχο σειρά J.
El valor anterior es válido para la conexión con las unidades interiores siguientes. Clase 1.5; 2.0; 2.5; 3,5kW unidad de pared de la serie K. Clase 4.2; 5,0kW unidad de pared de la serie J.
La valeur ci-avant est la valeur pour la connexion aux unités intérieures suivantes. Série murale K, classe 1.5; 2.0; 2.5; 3,5kW. Série murale J, classe 4.2; 5,0kW.
Il valore indicato in alto si riferisce al collegamento delle seguenti unità interne. Classe 1.5; 2.0; 2.5; 3,5kW serie a parete K. Classe 4.2; 5,0kW serie a parete J.
Bovenstaande waarde is de waarde voor verbinding met de volgende binnenunits. Klasse 1.5; 2.0; 2.5; 3,5kW reeks K voor wandmontage. Klasse 4.2; 5,0kW reeks J voor wandmontage.
Значение выше является значением для подсоединения со следующими внутренними блоками. Класс 1.5; 2.0; 2.5; 3,5кВт настенный блок серии K. Класс 4.2; 5,0кВт настенный блок серии J.
Yukarıdaki değer aşağıdaki iç ünitelere bağlantı içindir. 1.5; 2.0; 2.5; 3,5kW sınıfı; duvar tipi K serisi. 4.2; 5,0kW sınıfı; duvar tipi J serisi.

5 Capacity tables

5 - 2 Cooling Capacity Tables

2MXS50H Cooling (50Hz 230V)

Combination (Capacity)	Outdoor air temp. °CDB	Indoor air temp. °CWB											
		14°C		16°C		18°C		19°C		22°C		24°C	
		TC kW	PI kW	TC kW	PI kW	TC kW	PI kW	TC kW	PI kW	TC kW	PI kW	TC kW	PI kW
1.5+3.5	10.0	5.59	0.97	5.82	0.99	6.05	1.01	6.16	1.03	6.51	1.06	6.74	1.10
	12.0	5.50	0.99	5.73	1.01	5.96	1.04	6.07	1.05	6.42	1.08	6.65	1.10
	15.0	5.36	1.02	5.59	1.05	5.82	1.07	5.93	1.08	6.28	1.11	6.51	1.13
	18.0	5.22	1.06	5.45	1.08	5.68	1.10	5.79	1.11	6.14	1.15	6.37	1.17
	20.0	5.12	1.08	5.35	1.11	5.58	1.13	5.70	1.14	6.04	1.17	6.27	1.19
	22.0	5.03	1.11	5.26	1.13	5.49	1.15	5.61	1.16	5.95	1.20	6.18	1.22
	25.0	4.89	1.15	5.12	1.17	5.35	1.19	5.47	1.20	5.81	1.24	6.04	1.26
	28.0	4.75	1.19	4.98	1.21	5.21	1.23	5.33	1.25	5.67	1.28	5.90	1.30
	32.0	4.56	1.25	4.79	1.27	5.02	1.29	5.14	1.30	5.49	1.34	5.72	1.36
	35.0	4.42	1.30	4.65	1.32	4.88	1.34	5.00	1.35	5.35	1.38	5.58	1.41
1.5+4.2	10.0	6.00	1.20	6.25	1.23	6.50	1.25	6.62	1.27	6.99	1.31	7.24	1.36
	12.0	5.90	1.23	6.15	1.25	6.40	1.28	6.52	1.29	6.89	1.33	7.14	1.36
	15.0	5.75	1.27	6.00	1.29	6.25	1.32	6.37	1.33	6.74	1.37	6.99	1.40
	18.0	5.60	1.31	5.85	1.34	6.10	1.36	6.22	1.38	6.59	1.42	6.84	1.44
	20.0	5.50	1.34	5.75	1.37	6.00	1.39	6.12	1.41	6.49	1.45	6.74	1.47
	22.0	5.40	1.37	5.65	1.40	5.90	1.43	6.02	1.44	6.39	1.48	6.64	1.51
	25.0	5.25	1.42	5.50	1.45	5.75	1.48	5.87	1.49	6.24	1.53	6.49	1.56
	28.0	5.10	1.47	5.35	1.50	5.60	1.53	5.72	1.54	6.09	1.58	6.34	1.61
	32.0	4.90	1.55	5.15	1.57	5.40	1.60	5.52	1.61	5.89	1.65	6.14	1.68
	35.0	4.75	1.60	5.00	1.63	5.25	1.66	5.37	1.67	5.74	1.71	5.99	1.74
1.5+5.0	10.0	6.15	1.30	6.40	1.33	6.65	1.36	6.78	1.37	7.16	1.42	7.41	1.47
	12.0	6.04	1.33	6.30	1.36	6.55	1.39	6.68	1.40	7.06	1.45	7.31	1.47
	15.0	5.89	1.37	6.14	1.40	6.40	1.43	6.52	1.45	6.90	1.49	7.16	1.52
	18.0	5.74	1.42	5.99	1.45	6.24	1.48	6.37	1.49	6.75	1.54	7.00	1.57
	20.0	5.63	1.45	5.89	1.48	6.14	1.51	6.27	1.53	6.65	1.57	6.90	1.60
	22.0	5.53	1.49	5.79	1.52	6.04	1.55	6.17	1.56	6.55	1.60	6.80	1.63
	25.0	5.38	1.54	5.63	1.57	5.89	1.60	6.01	1.61	6.39	1.66	6.65	1.69
	28.0	5.23	1.60	5.48	1.63	5.73	1.66	5.86	1.67	6.24	1.71	6.49	1.74
	32.0	5.02	1.68	5.27	1.71	5.53	1.73	5.65	1.75	6.03	1.79	6.29	1.82
	35.0	4.87	1.74	5.12	1.77	5.37	1.80	5.50	1.81	5.88	1.86	6.13	1.88
	40.0	4.61	1.85	4.86	1.88	5.12	1.91	5.24	1.92	5.62	1.97	5.88	2.00
	43.0	4.46	1.92	4.71	1.95	4.96	1.98	5.09	1.99	5.47	2.04	5.72	2.07
	46.0	4.30	1.99	4.56	2.02	4.81	2.05	4.94	2.07	5.32	2.11	5.57	2.14

3D075212

**SYMBOLS - ABKÜRZUNGEN
ΣΥΜΒΟΛΑ - SIMBOLOS
SIMBOLES - SIMBOLOS
VERKLARING - ОБОЗНАЧЕНИЯ
SEMBOLER**

TC: Total capacity (kW)
PI: Power input (kW)

TC: Gesamtleistung (kW)
PI: Leistungsaufnahme (kW)

TC: Συνολική απόδοση (kW)
PI: Ισχύς εισόδου (kW)

TC: Capacidad total (kW)
PI: Potencia consumida (kW)

TC: Puissance totale (kW)
PI: Puissance absorbée (kW)

TC: Capacità totale (kW)
PI: Potenza assorbita (kW)

TC: Totale capaciteit (kW)
PI: Opgenomen vermogen (kW)

TC: Общая мощность (кВт)
PI: Входная мощность (кВт)

TC: Toplam kapasite (kW)
PI: Güç girişi (kW)

**NOTES - ANMERKUNGEN - ΣΗΜΕΙΩΣΕΙΣ - NOTAS - REMARQUES - NOTE
OPMERKINGEN - ПРИМЕЧАНИЯ - NOTLAR**

1 Capacities are based on the following conditions.
- Corresponding refrigerant piping length: 5m
- Level difference: 0m
Die Kapazität basiert auf den folgenden Bedingungen:
- Entsprechende Kältemittelrohrlänge: 5m
- Höhenunterschied: 0m
Οι αποδόσεις βασίζονται στις ακόλουθες συνθήκες:
- Απρόσκοπτο μήκος αγωγών ψυκτικού: 5m
- Υψομετρική διαφορά: 0m
Las capacidades se basan en las siguientes condiciones.
- Longitud de tubería de refrigerante equivalente: 5m
- Diferencia de nivel: 0m
Les puissances sont basées sur les conditions suivantes.
- Longueur de tuyauterie correspondante du réfrigérant: 5m
- Dénivellement: 0m
Le capacità si basano sulle seguenti condizioni.
- Lunghezza equivalente delle tubazioni del refrigerante: 5m
- Dislivello: 0m
De capaciteit is gebaseerd op de volgende situatie.
- Overenstemmende leidingenlengte koelvoelstof: 5m
- Niveaunderschil: 0m
Данные мощности основаны на следующих условиях.
- Соответствующая длина трубы охлаждения: 5m
- Разность уровней: 0m
Kapasiteier aşağıdaki koşullara bağlıdır
- İlgili soğutucu boru uzunluğu: 5m
- Seviye farkı: 0m

2 The bold line **█** is indicated the standard condition.
Die dicke Linie **█** kennzeichnet die Standardbedingung.
Οι έντονοι χαρακτήρες **█** υποδηλώνουν την κανονική κατάσταση.
La línea en negrita **█** indica las condiciones estándar.

La ligne en gras **█** indique un état standard.
La linea in grassetto **█** indica la condizione standard.
De vette lijn **█** duidt de standaardtoestand aan.
Жирная линия **█** указывает стандартное условие.
Kalın çizgi **█** standart koşullu olarak belirtilmektedir.

3 The above is the value for connecting with the following indoor units. 1.5; 2.0; 2.5; 3.5kW class; wall mounted K series. 4.2; 5.0kW class; wall mounted J series.
Der obige Wert gilt für den Anschluss an die folgenden Innengeräte. Klasse 1,5; 2,0; 2,5; 3,5kW Wandgerät vom Typ K. Klasse 4,2; 5,0kW Wandgerät vom Typ J.
Η παραπάνω είναι τιμή για σύνδεση με τις παρακάτω εσωτερικές μονάδες. Κατηγορία 1,5; 2,0; 2,5; 3,5kW επιτοίχιο σειρά K. Κατηγορία 4,2; 5,0kW επιτοίχιο σειρά J.
El valor anterior es válido para la conexión con las unidades interiores siguientes. Clase 1,5; 2,0; 2,5; 3,5kW unidad de pared de la serie K. Clase 4,2; 5,0kW unidad de pared de la serie J.
La valeur ci-avant est la valeur pour la connexion aux unités intérieures suivantes. Série murale K, classe 1,5; 2,0; 2,5; 3,5kW. Série murale J, classe 4,2; 5,0kW.
Il valore indicato in alto si riferisce al collegamento delle seguenti unità interne. Classe 1,5; 2,0; 2,5; 3,5kW serie a parete K. Classe 4,2; 5,0kW serie a parete J.
Bovenstaande waarde is de waarde voor verbinding met de volgende binnenunits. Klasse 1,5; 2,0; 2,5; 3,5kW reeks K voor wandmontage. Klasse 4,2; 5,0kW reeks J voor wandmontage.
Значение выше является значением для подсоединения со следующими внутренними блоками. Класс 1,5; 2,0; 2,5; 3,5кВт настенный блок серии K. Класс 4,2; 5,0кВт настенный блок серии J.
Yukarıdaki değer aşağıdaki iç ünitelerle bağlantı içinidir. 1,5; 2,0; 2,5; 3,5kW sınıfı; duvar tipi K serisi. 4,2; 5,0kW sınıfı; duvar tipi J serisi.

5 Capacity tables

5 - 2 Cooling Capacity Tables

2MXS50H Cooling (50Hz 230V)

Combination (Capacity)	Outdoor air temp. °CDB	Indoor air temp. °CWB											
		14°C		16°C		18°C		19°C		22°C		24°C	
		TC kW	PI kW	TC kW	PI kW	TC kW	PI kW	TC kW	PI kW	TC kW	PI kW	TC kW	PI kW
2.0+2.0	10.0	5.59	0.98	5.82	1.00	6.05	1.02	6.16	1.03	6.51	1.07	6.74	1.11
	12.0	5.50	1.00	5.73	1.02	5.96	1.04	6.07	1.05	6.42	1.09	6.65	1.11
	15.0	5.36	1.03	5.59	1.05	5.82	1.08	5.93	1.09	6.28	1.12	6.51	1.14
	18.0	5.22	1.07	5.45	1.09	5.68	1.11	5.79	1.12	6.14	1.15	6.37	1.18
	20.0	5.12	1.09	5.35	1.11	5.58	1.14	5.70	1.15	6.04	1.18	6.27	1.20
	22.0	5.03	1.12	5.26	1.14	5.49	1.16	5.61	1.17	5.95	1.20	6.18	1.23
	25.0	4.89	1.16	5.12	1.18	5.35	1.20	5.47	1.21	5.81	1.24	6.04	1.27
	28.0	4.75	1.20	4.98	1.22	5.21	1.24	5.33	1.25	5.67	1.29	5.90	1.31
	32.0	4.56	1.26	4.79	1.28	5.02	1.30	5.14	1.31	5.49	1.35	5.72	1.37
	35.0	4.42	1.31	4.65	1.33	4.88	1.35	5.00	1.36	5.35	1.39	5.58	1.42
	40.0	4.19	1.39	4.42	1.41	4.65	1.43	4.77	1.44	5.11	1.48	5.34	1.50
43.0	4.05	1.44	4.28	1.47	4.51	1.49	4.63	1.50	4.97	1.53	5.20	1.55	
46.0	3.91	1.50	4.14	1.52	4.37	1.54	4.49	1.55	4.83	1.59	5.06	1.61	
2.0+2.5	10.0	5.70	1.04	5.93	1.07	6.17	1.09	6.29	1.10	6.64	1.14	6.87	1.18
	12.0	5.60	1.07	5.84	1.09	6.07	1.11	6.19	1.12	6.54	1.16	6.78	1.18
	15.0	5.46	1.10	5.70	1.12	5.93	1.15	6.05	1.16	6.40	1.19	6.64	1.22
	18.0	5.32	1.14	5.55	1.16	5.79	1.18	5.91	1.20	6.26	1.23	6.49	1.25
	20.0	5.22	1.16	5.46	1.19	5.69	1.21	5.81	1.22	6.16	1.26	6.40	1.28
	22.0	5.13	1.19	5.36	1.21	5.60	1.24	5.72	1.25	6.07	1.28	6.30	1.31
	25.0	4.99	1.23	5.22	1.26	5.46	1.28	5.57	1.29	5.93	1.33	6.16	1.35
	28.0	4.85	1.28	5.08	1.30	5.31	1.33	5.43	1.34	5.78	1.37	6.02	1.40
	32.0	4.66	1.34	4.89	1.37	5.12	1.39	5.24	1.40	5.59	1.44	5.83	1.46
	35.0	4.51	1.39	4.75	1.42	4.98	1.44	5.10	1.45	5.45	1.49	5.69	1.51
	40.0	4.28	1.48	4.51	1.51	4.75	1.53	4.86	1.54	5.21	1.58	5.45	1.60
43.0	4.13	1.54	4.37	1.56	4.60	1.59	4.72	1.60	5.07	1.63	5.31	1.66	
46.0	3.99	1.60	4.23	1.62	4.46	1.64	4.58	1.66	4.93	1.69	5.16	1.71	
2.0+3.5	10.0	6.04	1.17	6.28	1.19	6.53	1.22	6.66	1.23	7.03	1.27	7.28	1.32
	12.0	5.93	1.19	6.18	1.22	6.43	1.24	6.56	1.26	6.93	1.29	7.18	1.32
	15.0	5.78	1.23	6.03	1.26	6.28	1.28	6.41	1.29	6.78	1.33	7.03	1.36
	18.0	5.63	1.27	5.88	1.30	6.13	1.32	6.25	1.34	6.63	1.38	6.88	1.40
	20.0	5.53	1.30	5.78	1.33	6.03	1.35	6.15	1.37	6.53	1.40	6.78	1.43
	22.0	5.43	1.33	5.68	1.36	5.93	1.38	6.05	1.40	6.43	1.44	6.68	1.46
	25.0	5.28	1.38	5.53	1.41	5.78	1.43	5.90	1.44	6.28	1.48	6.52	1.51
	28.0	5.13	1.43	5.38	1.46	5.63	1.48	5.75	1.49	6.13	1.53	6.37	1.56
	32.0	4.93	1.50	5.18	1.53	5.43	1.55	5.55	1.57	5.92	1.60	6.17	1.63
	35.0	4.78	1.56	5.03	1.58	5.28	1.61	5.40	1.62	5.77	1.66	6.02	1.69
	40.0	4.53	1.66	4.78	1.68	5.02	1.71	5.15	1.72	5.52	1.76	5.77	1.79
43.0	4.38	1.72	4.62	1.75	4.87	1.77	5.00	1.78	5.37	1.82	5.62	1.85	
46.0	4.22	1.79	4.47	1.81	4.72	1.84	4.85	1.85	5.22	1.89	5.47	1.91	

3D075213

SYMBOLS - ABKÜRZUNGEN ΣΥΜΒΟΛΑ - SIMBOLOS SIMBOLES - SIMBOLI VERKLARING - ОБОЗНАЧЕНИЯ SEMBOLLER

TC: Total capacity (kW)
PI: Power input (kW)

TC: Gesamtleistung (kW)
PI: Leistungsaufnahme (kW)

TC: Συνολική απόδοση (kW)
PI: Ισχύς εισόδου (kW)

TC: Capacidad total (kW)
PI: Potencia consumida (kW)

TC: Pissance totale (kW)
PI: Pissance assorbée (kW)

TC: Capacità totale (kW)
PI: Potenza assorbita (kW)

TC: Totale capaciteit (kW)
PI: Opgenomen vermogen (kW)

TC: Общая мощность (кВт)
PI: Входная мощность (кВт)

TC: Toplam kapasite (kW)
PI: Güç girişi (kW)

NOTES - ANMERKUNGEN - ΣΗΜΕΙΩΣΕΙΣ - NOTAS - REMARQUES - NOTE OPMERKINGEN - ПРИМЕЧАНИЯ - NOTLAR

- Capacities are based on the following conditions.
 - Corresponding refrigerant piping length: 5m
 - Level difference: 0m
 - Die Kapazität basiert auf den folgenden Bedingungen:
 - Entsprechende Kältemittelrohrlänge: 5m
 - Höhenunterschied: 0m
 - Οι αποδόσεις βασίζονται στις ακόλουθες συνθήκες:
 - Αντιστοίχο μήκος σωληνώσεων ψυκτικού: 5m
 - Ύψομετρική διαφορά: 0m
 - Las capacidades se basan en las siguientes condiciones.
 - Longitud de tubería de refrigerante equivalente: 5m
 - Diferencia de nivel: 0m
 - Les puissances sont basées sur les conditions suivantes.
 - Longueur de tuyauterie correspondante du réfrigérant: 5m
 - Dénivellement: 0m
 - Le capacità si basano sulle seguenti condizioni.
 - Lunghezza equivalente delle tubazioni del refrigerante: 5m
 - Dislivello: 0m
 - De capaciteit is gebaseerd op de volgende situatie.
 - Overeenstemmende leidingslengte koelvloeistof: 5m
 - Niveaunderschil: 0m
 - Данные мощности основаны на следующих условиях.
 - Соответствующая длина трубы охлаждения: 5м
 - Разность уровней - 0м
 - Kapasiteler aşağıdaki koşullara bağlıdır
 - İlgili soğutucu boru uzunluğu: 5m
 - Seviye farkı: 0m
- The bold line is indicated the standard condition.
 - Die dicke Linie kennzeichnet die Standardbedingung.
 - Η έντονη γραμμή υποδηλώνει την κανονική κατάσταση.
 - La línea en negra indica las condiciones estándar.

La ligne en gras indique un état standard.
La linea in grassetto indica la condizione standard.
De vette lijn duidt de standaardtoestand aan.
Жирная линия указывает стандартное условие.
Kalın çizgi standart koşul olarak belirtilmektedir.

- The above is the value for connecting with the following indoor units. 1.5; 2.0; 2.5; 3.5kW class; wall mounted K series. 4.2; 5.0kW class; wall mounted J series.
Der obere Wert gilt für den Anschluss an die folgenden Innengeräte. Klasse 1,5; 2,0; 2,5; 3,5kW Wandgerät vom Typ K. Klasse 4,2; 5,0kW Wandgerät vom Typ J.
Η παραπάνω είναι τιμή για σύνδεση με τις παρακάτω εσωτερικές μονάδες. Κατηγορία 1,5; 2,0; 2,5; 3,5kW επίτοιχη σειρά K. Κατηγορία 4,2; 5,0kW επίτοιχη σειρά J.
El valor anterior es válido para la conexión con las unidades interiores siguientes. Clase 1,5; 2,0; 2,5; 3,5kW unidad de pared de la serie K. Clase 4,2; 5,0kW unidad de pared de la serie J.
La valeur ci-avant est la valeur pour la connexion aux unités intérieures suivantes. Série murale K, classe 1,5; 2,0; 2,5; 3,5kW. Série murale J, classe 4,2; 5,0kW. Il valore indicato in alto si riferisce al collegamento delle seguenti unità interne. Classe 1,5; 2,0; 2,5; 3,5kW serie a parete K. Classe 4,2; 5,0kW serie a parete J. Bovenstaande waarde is de waarde voor verbinding met de volgende binnenunits. Klasse 1,5; 2,0; 2,5; 3,5kW reeks K voor wandmontage. Klasse 4,2; 5,0kW reeks J voor wandmontage.
Значение выше является значением для подсоединения со следующими внутренними блоками. Класс 1,5; 2,0; 2,5; 3,5кВт настенный блок серии K. Класс 4,2; 5,0кВт настенный блок серии J.
Yukarıdaki değer aşağıdaki iç ünitelere bağlantı içindir. 1,5; 2,0; 2,5; 3,5kW sınıfı; duvar tipi K serisi. 4,2; 5,0kW sınıfı; duvar tipi J serisi.

5 Capacity tables

5 - 2 Cooling Capacity Tables

2MXS50H Cooling (50Hz 230V)

Combination (Capacity)	Outdoor air temp. °CDB	Indoor air temp. °CWB											
		14°C		16°C		18°C		19°C		22°C		24°C	
		TC kW	PI kW	TC kW	PI kW	TC kW	PI kW	TC kW	PI kW	TC kW	PI kW	TC kW	PI kW
2.0+4.2	10.0	6.15	1.24	6.40	1.27	6.65	1.30	6.78	1.31	7.16	1.36	7.41	1.38
	12.0	6.04	1.27	6.30	1.30	6.55	1.33	6.68	1.34	7.06	1.38	7.31	1.41
	15.0	5.89	1.31	6.14	1.34	6.40	1.37	6.52	1.38	6.90	1.42	7.16	1.45
	18.0	5.74	1.36	5.99	1.39	6.24	1.41	6.37	1.43	6.75	1.47	7.00	1.50
	20.0	5.63	1.39	5.89	1.42	6.14	1.44	6.27	1.46	6.65	1.50	6.90	1.53
	22.0	5.53	1.42	5.79	1.45	6.04	1.48	6.17	1.49	6.55	1.53	6.80	1.56
	25.0	5.38	1.47	5.63	1.50	5.89	1.53	6.01	1.54	6.39	1.58	6.65	1.61
	28.0	5.23	1.53	5.48	1.55	5.73	1.58	5.86	1.60	6.24	1.64	6.49	1.66
	32.0	5.02	1.60	5.27	1.63	5.53	1.66	5.65	1.67	6.03	1.71	6.29	1.74
	35.0	4.87	1.66	5.12	1.69	5.37	1.72	5.50	1.73	5.88	1.77	6.13	1.80
	40.0	4.61	1.77	4.86	1.80	5.12	1.82	5.24	1.84	5.62	1.88	5.88	1.91
43.0	4.46	1.84	4.71	1.86	4.96	1.89	5.09	1.91	5.47	1.95	5.72	1.97	
46.0	4.30	1.91	4.56	1.93	4.81	1.96	4.94	1.98	5.32	2.02	5.57	2.04	
2.0+5.0	10.0	6.15	1.23	6.40	1.26	6.65	1.29	6.78	1.30	7.16	1.34	7.41	1.39
	12.0	6.04	1.26	6.30	1.28	6.55	1.31	6.68	1.32	7.06	1.37	7.31	1.39
	15.0	5.89	1.30	6.14	1.33	6.40	1.35	6.52	1.37	6.90	1.41	7.16	1.43
	18.0	5.74	1.34	5.99	1.37	6.24	1.40	6.37	1.41	6.75	1.45	7.00	1.48
	20.0	5.63	1.37	5.89	1.40	6.14	1.43	6.27	1.44	6.65	1.48	6.90	1.51
	22.0	5.53	1.41	5.79	1.43	6.04	1.46	6.17	1.47	6.55	1.51	6.80	1.54
	25.0	5.38	1.46	5.63	1.48	5.89	1.51	6.01	1.52	6.39	1.57	6.65	1.59
	28.0	5.23	1.51	5.48	1.54	5.73	1.56	5.86	1.58	6.24	1.62	6.49	1.65
	32.0	5.02	1.58	5.27	1.61	5.53	1.64	5.65	1.65	6.03	1.69	6.29	1.72
	35.0	4.87	1.64	5.12	1.67	5.37	1.70	5.50	1.71	5.88	1.75	6.13	1.78
	40.0	4.61	1.75	4.86	1.78	5.12	1.80	5.24	1.82	5.62	1.86	5.88	1.89
43.0	4.46	1.81	4.71	1.84	4.96	1.87	5.09	1.88	5.47	1.92	5.72	1.95	
46.0	4.30	1.88	4.56	1.91	4.81	1.94	4.94	1.95	5.32	1.99	5.57	2.02	
2.5+2.5	10.0	5.92	1.16	6.17	1.18	6.41	1.21	6.53	1.22	6.90	1.26	7.14	1.31
	12.0	5.82	1.18	6.07	1.21	6.31	1.23	6.44	1.25	6.80	1.29	7.05	1.31
	15.0	5.68	1.22	5.92	1.25	6.17	1.27	6.29	1.29	6.65	1.33	6.90	1.35
	18.0	5.53	1.26	5.77	1.29	6.02	1.32	6.14	1.33	6.51	1.37	6.75	1.39
	20.0	5.43	1.29	5.67	1.32	5.92	1.34	6.04	1.36	6.41	1.40	6.65	1.42
	22.0	5.33	1.32	5.58	1.35	5.82	1.37	5.94	1.39	6.31	1.43	6.55	1.45
	25.0	5.18	1.37	5.43	1.40	5.67	1.42	5.79	1.44	6.16	1.47	6.40	1.50
	28.0	5.04	1.42	5.28	1.45	5.52	1.47	5.65	1.49	6.01	1.52	6.26	1.55
	32.0	4.84	1.49	5.08	1.52	5.33	1.54	5.45	1.56	5.81	1.59	6.06	1.62
	35.0	4.69	1.55	4.93	1.57	5.18	1.60	5.30	1.61	5.67	1.65	5.91	1.68
	40.0	4.44	1.65	4.69	1.67	4.93	1.70	5.05	1.71	5.42	1.75	5.66	1.77
43.0	4.29	1.71	4.54	1.73	4.78	1.76	4.91	1.77	5.27	1.81	5.52	1.84	
46.0	4.15	1.77	4.39	1.80	4.63	1.83	4.76	1.84	5.12	1.88	5.37	1.90	

5

3D075213

SYMBOLS - ABKÜRZUNGEN
ΣΥΜΒΟΛΑ - SIMBOLOS
SIMBOLES - SIMBOLO
VERKLARING - ОБОЗНАЧЕНИЯ
SEMBOLER

TC: Total capacity (kW)
 PI: Power input (kW)
 TC: Gesamtleistung (kW)
 PI: Leistungsaufnahme (kW)
 TC: Συνολική απόδοση (kW)
 PI: Ισχύς εισόδου (kW)
 TC: Capacidad total (kW)
 PI: Potencia consumida (kW)
 TC: Puissance totale (kW)
 PI: Puissance absorbée (kW)
 TC: Capacità totale (kW)
 PI: Potenza assorbita (kW)
 TC: Totale capaciteit (kW)
 PI: Opgenomen vermogen (kW)
 TC: Общая мощность (кВт)
 PI: Входная мощность (кВт)
 TC: Toplam kapasite (kW)
 PI: Güç girişi (kW)

NOTES - ANMERKUNGEN - ΣΗΜΕΙΩΣΕΙΣ - NOTAS - REMARQUES - NOTE
OPMERKINGEN - ПРИМЕЧАНИЯ - NOTLAR

1 Capacities are based on the following conditions.
 - Corresponding refrigerant piping length: 5m
 - Level difference: 0m
 Die Kapazität basiert auf den folgenden Bedingungen:
 - Entsprechende Kältemittelrohrlänge: 5m
 - Höhenunterschied: 0m
 Οι αποδόσεις βασίζονται στις ακόλουθες συνθήκες:
 - Αντίστοιχο μήκος αγωγών ψυκτικού: 5m
 - Υψομετρική διαφορά: 0m
 Las capacidades se basan en las siguientes condiciones.
 - Longitud de tubería de refrigerante equivalente: 5m
 - Diferencia de nivel: 0m
 Les puissances sont basées sur les conditions suivantes.
 - Longueur de tuyauterie correspondante du réfrigérant: 5m
 - Dénivellement: 0m
 Le capacità si basano sulle seguenti condizioni.
 - Lunghezza equivalente delle tubazioni del refrigerante: 5m
 - Dislivello: 0m
 De capaciteit is gebaseerd op de volgende situatie.
 - Overeenstemmende leidingenlengte koelvloeistof: 5m
 - Niveaunderschil: 0m
 Данные мощности основаны на следующих условиях.
 - Соответствующая длина трубы охлаждения: 5м
 - Разность уровней: 0м
 Kapasiteler aşağıdaki koşullara bağlıdır
 - İlgili soğutucu boru uzunluğu: 5m
 - Seviye farkı: 0m
 2 The bold line is indicated the standard condition.
 Die dicke Linie kennzeichnet die Standardbedingung.
 Η έμφαση υποδηλώνει την κανονική κατάσταση.
 La línea en negrita indica las condiciones estándar.

La ligne en gras indique un état standard.
 La linea in grassetto indica la condizione standard.
 De vette lijn duidt de standaardtoestand aan.
 Жирная линия указывает стандартное условие.
 Kalın çizgi standart koşullu olarak belirtilmektedir.
 3 The above is the value for connecting with the following indoor units. 1.5; 2.0; 2.5; 3.5kW class; wall mounted K series. 4.2; 5.0kW class; wall mounted J series.
 Der obige Wert gilt für den Anschluss an die folgenden Innengeräte. Klasse 1,5; 2,0; 2,5; 3,5kW Wandgerät vom Typ K. Klasse 4,2; 5,0kW Wandgerät vom Typ J.
 Η παραπάνω είναι τιμή για σύνδεση με τις παρακάτω εσωτερικές μονάδες. Κατηγορία 1,5; 2,0; 2,5; 3,5kW επιτοίχιο σειρά K. Κατηγορία 4,2; 5,0kW επιτοίχιο σειρά J.
 El valor anterior es válido para la conexión con las unidades interiores siguientes. Clase 1,5; 2,0; 2,5; 3,5kW unidad de pared de la serie K. Clase 4,2; 5,0kW unidad de pared de la serie J.
 La valeur ci-avant est la valeur pour la connexion aux unités intérieures suivantes. Série murale K, classe 1,5; 2,0; 2,5; 3,5kW. Série murale J, classe 4,2; 5,0kW.
 Il valore indicato in alto si riferisce al collegamento delle seguenti unità interne. Classe 1,5; 2,0; 2,5; 3,5kW serie a parete K. Classe 4,2; 5,0kW serie a parete J.
 Bovenstaande waarde is de waarde voor verbinding met de volgende binnenunits. Klasse 1,5; 2,0; 2,5; 3,5kW reeks K voor wandmontage. Klasse 4,2; 5,0kW reeks J voor wandmontage.
 Значение выше является значением для подсоединения со следующими внутренними блоками. Класс 1,5; 2,0; 2,5; 3,5кВт настенный блок серии K. Класс 4,2; 5,0кВт настенный блок серии J.
 Yukarıdaki değer aşağıdaki iç ünitelerle bağlantı içinidir. 1,5; 2,0; 2,5; 3,5kW smif; duvar tipi K serisi. 4,2; 5,0kW smif; duvar tipi J serisi.

5 Capacity tables

5 - 2 Cooling Capacity Tables

2MXS50H Cooling (50Hz 230V)

Combination (Capacity)	Outdoor air temp. °CDB	Indoor air temp. °CWB											
		14°C		16°C		18°C		19°C		22°C		24°C	
		TC kW	PI kW	TC kW	PI kW	TC kW	PI kW	TC kW	PI kW	TC kW	PI kW	TC kW	PI kW
2.5+3.5	10.0	6.04	1.16	6.28	1.18	6.53	1.21	6.66	1.22	7.03	1.26	7.28	1.31
	12.0	5.93	1.18	6.18	1.21	6.43	1.23	6.56	1.25	6.93	1.29	7.18	1.31
	15.0	5.78	1.22	6.03	1.25	6.28	1.27	6.41	1.29	6.78	1.33	7.03	1.35
	18.0	5.63	1.26	5.88	1.29	6.13	1.32	6.25	1.33	6.63	1.37	6.88	1.39
	20.0	5.53	1.29	5.78	1.32	6.03	1.34	6.15	1.36	6.53	1.40	6.78	1.42
	22.0	5.43	1.32	5.68	1.35	5.93	1.37	6.05	1.39	6.43	1.43	6.68	1.45
	25.0	5.28	1.37	5.53	1.40	5.78	1.42	5.90	1.44	6.28	1.47	6.52	1.50
	28.0	5.13	1.42	5.38	1.45	5.63	1.47	5.75	1.49	6.13	1.52	6.37	1.55
	32.0	4.93	1.49	5.18	1.52	5.43	1.54	5.55	1.56	5.92	1.59	6.17	1.62
	35.0	4.78	1.55	5.03	1.57	5.28	1.60	5.40	1.61	5.77	1.65	6.02	1.68
	40.0	4.53	1.65	4.78	1.67	5.02	1.70	5.15	1.71	5.52	1.75	5.77	1.77
	43.0	4.38	1.71	4.62	1.73	4.87	1.76	5.00	1.77	5.37	1.81	5.62	1.84
46.0	4.22	1.77	4.47	1.80	4.72	1.83	4.85	1.84	5.22	1.88	5.47	1.90	
2.5+4.2	10.0	6.15	1.24	6.40	1.27	6.65	1.29	6.78	1.31	7.16	1.35	7.41	1.38
	12.0	6.04	1.26	6.30	1.29	6.55	1.32	6.68	1.33	7.06	1.37	7.31	1.40
	15.0	5.89	1.31	6.14	1.33	6.40	1.36	6.52	1.37	6.90	1.42	7.16	1.44
	18.0	5.74	1.35	5.99	1.38	6.24	1.41	6.37	1.42	6.75	1.46	7.00	1.49
	20.0	5.63	1.38	5.89	1.41	6.14	1.44	6.27	1.45	6.65	1.49	6.90	1.52
	22.0	5.53	1.41	5.79	1.44	6.04	1.47	6.17	1.48	6.55	1.52	6.80	1.55
	25.0	5.38	1.46	5.63	1.49	5.89	1.52	6.01	1.53	6.39	1.57	6.65	1.60
	28.0	5.23	1.52	5.48	1.55	5.73	1.57	5.86	1.59	6.24	1.63	6.49	1.66
	32.0	5.02	1.59	5.27	1.62	5.53	1.65	5.65	1.66	6.03	1.70	6.29	1.73
	35.0	4.87	1.65	5.12	1.68	5.37	1.71	5.50	1.72	5.88	1.76	6.13	1.79
	40.0	4.61	1.76	4.86	1.79	5.12	1.81	5.24	1.83	5.62	1.87	5.88	1.90
	43.0	4.46	1.83	4.71	1.85	4.96	1.88	5.09	1.89	5.47	1.94	5.72	1.96
46.0	4.30	1.90	4.56	1.92	4.81	1.95	4.94	1.96	5.32	2.01	5.57	2.03	
2.5+5.0	10.0	6.15	1.22	6.40	1.25	6.65	1.28	6.78	1.29	7.16	1.33	7.41	1.39
	12.0	6.04	1.25	6.30	1.28	6.55	1.30	6.68	1.32	7.06	1.36	7.31	1.39
	15.0	5.89	1.29	6.14	1.32	6.40	1.34	6.52	1.36	6.90	1.40	7.16	1.43
	18.0	5.74	1.33	5.99	1.36	6.24	1.39	6.37	1.40	6.75	1.44	7.00	1.47
	20.0	5.63	1.37	5.89	1.39	6.14	1.42	6.27	1.43	6.65	1.47	6.90	1.50
	22.0	5.53	1.40	5.79	1.42	6.04	1.45	6.17	1.47	6.55	1.51	6.80	1.53
	25.0	5.38	1.45	5.63	1.47	5.89	1.50	6.01	1.52	6.39	1.56	6.65	1.58
	28.0	5.23	1.50	5.48	1.53	5.73	1.55	5.86	1.57	6.24	1.61	6.49	1.64
	32.0	5.02	1.57	5.27	1.60	5.53	1.63	5.65	1.64	6.03	1.68	6.29	1.71
	35.0	4.87	1.63	5.12	1.66	5.37	1.69	5.50	1.70	5.88	1.74	6.13	1.77
	40.0	4.61	1.74	4.86	1.77	5.12	1.79	5.24	1.81	5.62	1.85	5.88	1.87
	43.0	4.46	1.80	4.71	1.83	4.96	1.86	5.09	1.87	5.47	1.91	5.72	1.94
46.0	4.30	1.87	4.56	1.90	4.81	1.93	4.94	1.94	5.32	1.98	5.57	2.01	

3D075214

SYMBOLS - ABKÜRZUNGEN ΣΥΜΒΟΛΑ - SIMBOLOS SIMBOLES - SIMBOLI VERKLARING - ОБОЗНАЧЕНИЯ SEMBOLLER

- TC: Total capacity (kW)
PI: Power input (kW)
- TC: Gesamtleistung (kW)
PI: Leistungsaufnahme (kW)
- TC: Συνολική απόδοση (kW)
PI: Ισχύς εισόδου (kW)
- TC: Capacidad total (kW)
PI: Potencia consumida (kW)
- TC: Pissance totale (kW)
PI: Pissance absorbée (kW)
- TC: Capacità totale (kW)
PI: Potenza assorbita (kW)
- TC: Totale capaciteit (kW)
PI: Opgenomen vermogen (kW)
- TC: Общая мощность (кВт)
PI: Входная мощность (кВт)
- TC: Toplam kapasite (kW)
PI: Güç girişi (kW)

NOTES - ANMERKUNGEN - ΣΗΜΕΙΩΣΕΙΣ - NOTAS - REMARQUES - NOTE OPMERKINGEN - ПРИМЕЧАНИЯ - NOTLAR

- Capacities are based on the following conditions.
- Corresponding refrigerant piping length: 5m
- Level difference: 0m
Die Kapazität basiert auf den folgenden Bedingungen:
- Entsprechende Kältemittelrohrlänge: 5m
- Höhenunterschied: 0m
Οι αποδόσεις βασίζονται στις ακόλουθες συνθήκες.
- Αντιστοίχου μήκους σωληνώσεων ψυκτικού: 5m
- Ύψομετρική διαφορά: 0m
Las capacidades se basan en las siguientes condiciones.
- Longitud de tubería de refrigerante equivalente: 5m
- Diferencia de nivel: 0m
Les puissances sont basées sur les conditions suivantes.
- Longueur de tuyauterie correspondante du réfrigérant: 5m
- Dénivellement: 0m
Le capacità si basano sulle seguenti condizioni.
- Lunghezza equivalente delle tubazioni del refrigerante: 5m
- Dislivello: 0m
De capaciteit is gebaseerd op de volgende situatie.
- Overeenstemmende leidinglengte koelvoelstof: 5m
- Niveaunderschil: 0m
Данные мощности основаны на следующих условиях.
- Соответствующая длина трубы охлаждения: 5м
- Разность уровней - 0м
Kapasiteler aşağıdaki koşullara bağlıdır
- İlgili sömütücü boru uzunluğu: 5m
- Seviye farkı: 0m
- The bold line indicates the standard condition.
Die dicke Linie kennzeichnet die Standardbedingung.
Η έντονη γραμμή υποδηλώνει την κλιματική κατάσταση.
La línea en negrita indica las condiciones estándar.

- La ligne en gras indique un état standard.
La linea in grassetto indica la condizione standard.
De vette lijn duidt de standaardtoestand aan.
Жирная линия указывает стандартное условие.
Kalın çizgi standart koşul olarak belirtilmektedir.
- The above is the value for connecting with the following indoor units. 1.5; 2.0; 2.5; 3.5kW class; wall mounted K series. 4.2; 5.0kW class; wall mounted J series.
Der obere Wert gilt für den Anschluss an die folgenden Innengeräte. Klasse 1,5; 2,0; 2,5; 3,5kW Wandgerät vom Typ K. Klasse 4,2; 5,0kW Wandgerät vom Typ J.
Η παραπάνω είναι τιμή για σύνδεση με τις παρακάτω εσωτερικές μονάδες. Κατηγορία 1,5; 2,0; 2,5; 3,5kW επίτοιχη σειρά K. Κατηγορία 4,2; 5,0kW επίτοιχη σειρά J.
El valor anterior es válido para la conexión con las unidades interiores siguientes. Clase 1,5; 2,0; 2,5; 3,5kW unidad de pared de la serie K. Clase 4,2; 5,0kW unidad de pared de la serie J.
La valeur ci-avant est la valeur pour la connexion aux unités intérieures suivantes. Série murale K, classe 1,5; 2,0; 2,5; 3,5kW. Série murale J, classe 4,2; 5,0kW.
Il valore indicato in alto si riferisce al collegamento delle seguenti unità interne. Classe 1,5; 2,0; 2,5; 3,5kW serie a parete K. Classe 4,2; 5,0kW serie a parete J.
Bovenstaande waarde is de waarde voor verbinding met de volgende binnenunits. Klasse 1,5; 2,0; 2,5; 3,5kW reeks K voor wandmontage. Klasse 4,2; 5,0kW reeks J voor wandmontage.
Значение выше является значением для подсоединения со следующими внутренними блоками. Класс 1,5; 2,0; 2,5; 3,5кВт настенный блок серии K. Класс 4,2; 5,0кВт настенный блок серии J.
Yukarıdaki değer aşağıdaki iç ünitelere bağlantı içindir. 1,5; 2,0; 2,5; 3,5kW sınıfı; duvar tipi K serisi. 4,2; 5,0kW sınıfı; duvar tipi J serisi.

5 Capacity tables

5 - 2 Cooling Capacity Tables

2MXS50H Cooling (50Hz 230V)

Combination (Capacity)	Outdoor air temp. °CDB	Indoor air temp. °CWB											
		14°C		16°C		18°C		19°C		22°C		24°C	
		TC kW	PI kW	TC kW	PI kW	TC kW	PI kW	TC kW	PI kW	TC kW	PI kW	TC kW	PI kW
3.5+3.5	10.0	6.04	1.12	6.28	1.14	6.53	1.16	6.66	1.18	7.03	1.21	7.28	1.26
	12.0	5.93	1.14	6.18	1.16	6.43	1.19	6.56	1.20	6.93	1.24	7.18	1.26
	15.0	5.78	1.18	6.03	1.20	6.28	1.23	6.41	1.24	6.78	1.28	7.03	1.30
	18.0	5.63	1.22	5.88	1.24	6.13	1.27	6.25	1.28	6.63	1.32	6.88	1.34
	20.0	5.53	1.24	5.78	1.27	6.03	1.29	6.15	1.31	6.53	1.34	6.78	1.37
	22.0	5.43	1.27	5.68	1.30	5.93	1.32	6.05	1.34	6.43	1.37	6.68	1.40
	25.0	5.28	1.32	5.53	1.34	5.78	1.37	5.90	1.38	6.28	1.42	6.52	1.44
	28.0	5.13	1.37	5.38	1.39	5.63	1.42	5.75	1.43	6.13	1.47	6.37	1.49
	32.0	4.93	1.44	5.18	1.46	5.43	1.49	5.55	1.50	5.92	1.53	6.17	1.56
	35.0	4.78	1.49	5.03	1.51	5.28	1.54	5.40	1.55	5.77	1.59	6.02	1.61
	40.0	4.53	1.58	4.78	1.61	5.02	1.63	5.15	1.65	5.52	1.68	5.77	1.71
	43.0	4.38	1.65	4.62	1.67	4.87	1.69	5.00	1.71	5.37	1.74	5.62	1.77
46.0	4.22	1.71	4.47	1.73	4.72	1.76	4.85	1.77	5.22	1.81	5.47	1.83	
3.5+4.2	10.0	6.15	1.19	6.40	1.21	6.65	1.24	6.78	1.25	7.16	1.29	7.41	1.34
	12.0	6.04	1.21	6.30	1.24	6.55	1.27	6.68	1.28	7.06	1.32	7.31	1.34
	15.0	5.89	1.25	6.14	1.28	6.40	1.31	6.52	1.32	6.90	1.36	7.16	1.38
	18.0	5.74	1.30	5.99	1.32	6.24	1.35	6.37	1.36	6.75	1.40	7.00	1.43
	20.0	5.63	1.32	5.89	1.35	6.14	1.38	6.27	1.39	6.65	1.43	6.90	1.46
	22.0	5.53	1.36	5.79	1.38	6.04	1.41	6.17	1.42	6.55	1.46	6.80	1.49
	25.0	5.38	1.40	5.63	1.43	5.89	1.46	6.01	1.47	6.39	1.51	6.65	1.54
	28.0	5.23	1.46	5.48	1.48	5.73	1.51	5.86	1.52	6.24	1.56	6.49	1.59
	32.0	5.02	1.53	5.27	1.55	5.53	1.58	5.65	1.59	6.03	1.63	6.29	1.66
	35.0	4.87	1.59	5.12	1.61	5.37	1.64	5.50	1.65	5.88	1.69	6.13	1.72
	40.0	4.61	1.69	4.86	1.71	5.12	1.74	5.24	1.75	5.62	1.79	5.88	1.82
	43.0	4.46	1.75	4.71	1.78	4.96	1.80	5.09	1.82	5.47	1.86	5.72	1.88
46.0	4.30	1.82	4.56	1.84	4.81	1.87	4.94	1.88	5.32	1.92	5.57	1.95	
3.5+5.0	10.0	6.15	1.17	6.40	1.19	6.65	1.22	6.78	1.23	7.16	1.27	7.41	1.32
	12.0	6.04	1.19	6.30	1.22	6.55	1.24	6.68	1.26	7.06	1.29	7.31	1.32
	15.0	5.89	1.23	6.14	1.26	6.40	1.28	6.52	1.29	6.90	1.33	7.16	1.36
	18.0	5.74	1.27	5.99	1.30	6.24	1.32	6.37	1.34	6.75	1.38	7.00	1.40
	20.0	5.63	1.30	5.89	1.33	6.14	1.35	6.27	1.37	6.65	1.40	6.90	1.43
	22.0	5.53	1.33	5.79	1.36	6.04	1.38	6.17	1.40	6.55	1.44	6.80	1.46
	25.0	5.38	1.38	5.63	1.41	5.89	1.43	6.01	1.44	6.39	1.48	6.65	1.51
	28.0	5.23	1.43	5.48	1.46	5.73	1.48	5.86	1.49	6.24	1.53	6.49	1.56
	32.0	5.02	1.50	5.27	1.53	5.53	1.55	5.65	1.57	6.03	1.60	6.29	1.63
	35.0	4.87	1.56	5.12	1.58	5.37	1.61	5.50	1.62	5.88	1.66	6.13	1.69
	40.0	4.61	1.66	4.86	1.68	5.12	1.71	5.24	1.72	5.62	1.76	5.88	1.79
	43.0	4.46	1.72	4.71	1.75	4.96	1.77	5.09	1.78	5.47	1.82	5.72	1.85
46.0	4.30	1.79	4.56	1.81	4.81	1.84	4.94	1.85	5.32	1.89	5.57	1.91	

3D075214

SYMBOLS - ABKÜRZUNGEN ΣΥΜΒΟΛΑ - SIMBOLOS SIMBOLES - SIMBOLI VERKLARING - ОБОЗНАЧЕНИЯ SEMBOLER

TC: Total capacity (kW)
PI: Power input (kW)

TC: Gesamtleistung (kW)
PI: Leistungsaufnahme (kW)

TC: Συνολική απόδοση (kW)
PI: Ισχύς εισόδου (kW)

TC: Capacidad total (kW)
PI: Potencia consumida (kW)

TC: Puissance totale (kW)
PI: Puissance absorbée (kW)

TC: Capacità totale (kW)
PI: Potenza assorbita (kW)

TC: Totale capaciteit (kW)
PI: Opgenomen vermogen (kW)

TC: Общая мощность (кВт)
PI: Входная мощность (кВт)

TC: Toplam kapasite (kW)
PI: Güç girişi (kW)

NOTES - ANMERKUNGEN - ΣΗΜΕΙΩΣΕΙΣ - NOTAS - REMARQUES - NOTE OPMERKINGEN - ПРИМЕЧАНИЯ - NOTLAR

1 Capacities are based on the following conditions.
- Corresponding refrigerant piping length: 5m
- Level difference: 0m
Die Kapazität basiert auf den folgenden Bedingungen:
- Entsprechende Kältemittelrohrlänge: 5m
- Höhenunterschied: 0m
Οι αποδόσεις βασίζονται στις ακόλουθες συνθήκες.
- Αντιστοίχο μήκος σωληνώσεων ψυκτικού: 5m
- Υψομετρική διαφορά: 0m
Las capacidades se basan en las siguientes condiciones.
- Longitud de tubería de refrigerante equivalente: 5 m
- Diferencia de nivel: 0m
Les puissances sont basées sur les conditions suivantes.
- Longueur de tuyauterie correspondante du réfrigérant: 5 m
- Dénivellement: 0m
Le capacità si basano sulle seguenti condizioni.
- Lunghezza equivalente delle tubazioni del refrigerante: 5m
- Dislivello: 0m
Die capaciteit is gebaseerd op de volgende situatie.
- Overeenstemmende leidinglengte koelvoorstof: 5m
- Niveaunderschil: 0m
Данные мощности основаны на следующих условиях.
- Соответствующая длина трубы охлаждения: 5м
- Разность уровней - 0м
Kapasiteiler aşağıdaki koşullara bağlıdır
- İlgili soğutucu boru uzunluğu: 5m
- Seviye farkı: 0m

2 The bold line **□** is indicated the standard condition.
Die dicke Linie **□** kennzeichnet die Standardbedingung.
Η έντονη γραμμή **□** υποδηλώνει την κανονική κατάσταση.
La línea en negrita **□** indica las condiciones estándar.

La ligne en gras **□** indique un état standard.
La linea in grassetto **□** indica la condizione standard.
De vette lijn **□** duidt de standaardtoestand aan.
Жирная линия **□** указывает стандартное условие.
Kalın çizgi **□** standart koşullar olarak belirtilmektedir.

3 The above is the value for connecting with the following indoor units. 1.5; 2.0; 2.5; 3.5kW class; wall mounted K series. 4.2; 5.0kW class; wall mounted J series.
Der obige Wert gilt für den Anschluss an die folgenden Innengeräte. Klasse 1,5; 2,0; 2,5; 3,5kW Wandgerät vom Typ K. Klasse 4,2; 5,0kW Wandgerät vom Typ J.
Η παραπάνω είναι τιμή για σύνδεση με τις παρακάτω εσωτερικές μονάδες. Κατηγορία 1,5; 2,0; 2,5; 3,5kW επιτοίχιο σειρά K. Κατηγορία 4,2; 5,0kW επιτοίχιο σειρά J.
El valor anterior es válido para la conexión con las unidades interiores siguientes. Clase 1,5; 2,0; 2,5; 3,5kW unidad de pared de la serie K. Clase 4,2; 5,0kW unidad de pared de la serie J.
La valeur ci-avant est la valeur pour la connexion aux unités intérieures suivantes. Série murale K, classe 1,5; 2,0; 2,5; 3,5kW. Série murale J, classe 4,2; 5,0kW.
Il valore indicato in alto si riferisce al collegamento delle seguenti unità interne. Classe 1,5; 2,0; 2,5; 3,5kW serie a parete K. Classe 4,2; 5,0kW serie a parete J. Bovenstaande waarde is de waarde voor verbinding met de volgende binnenunits. Klasse 1,5; 2,0; 2,5; 3,5kW reeks K voor wandmontage. Klasse 4,2; 5,0kW reeks J voor wandmontage.
Значение выше является значением для подсоединения со следующими внутренними блоками. Класс 1,5; 2,0; 2,5; 3,5кВт настенный блок серии K. Класс 4,2; 5,0кВт настенный блок серии J.
Yukarıdaki değer aşağıdaki iç ünitelerle bağlantı içindir. 1,5; 2,0; 2,5; 3,5kW sınıfı; duvar tipi K serisi. 4,2; 5,0kW sınıfı; duvar tipi J serisi.

5 Capacity tables

5 - 2 Cooling Capacity Tables

2MXS50H Cooling (50Hz 230V)

Combination (Capacity)	Outdoor air temp. °CDB	Indoor air temp. °CWB											
		14°C		16°C		18°C		19°C		22°C		24°C	
		TC kW	PI kW	TC kW	PI kW	TC kW	PI kW	TC kW	PI kW	TC kW	PI kW	TC kW	PI kW
4.2+4.2	10.0	6.15	1.17	6.40	1.19	6.65	1.22	6.78	1.23	7.16	1.27	7.41	1.30
	12.0	6.04	1.19	6.30	1.22	6.55	1.24	6.68	1.26	7.06	1.29	7.31	1.32
	15.0	5.89	1.23	6.14	1.26	6.40	1.28	6.52	1.29	6.90	1.33	7.16	1.36
	18.0	5.74	1.27	5.99	1.30	6.24	1.32	6.37	1.34	6.75	1.38	7.00	1.40
	20.0	5.63	1.30	5.89	1.33	6.14	1.35	6.27	1.37	6.65	1.40	6.90	1.43
	22.0	5.53	1.33	5.79	1.36	6.04	1.38	6.17	1.40	6.55	1.44	6.80	1.46
	25.0	5.38	1.38	5.63	1.41	5.89	1.43	6.01	1.44	6.39	1.48	6.65	1.51
	28.0	5.23	1.43	5.48	1.46	5.73	1.48	5.86	1.49	6.24	1.53	6.49	1.56
	32.0	5.02	1.50	5.27	1.53	5.53	1.55	5.65	1.57	6.03	1.60	6.29	1.63
	35.0	4.87	1.56	5.12	1.58	5.37	1.61	5.50	1.62	5.88	1.66	6.13	1.69
	40.0	4.61	1.66	4.86	1.68	5.12	1.71	5.24	1.72	5.62	1.76	5.88	1.79
	43.0	4.46	1.72	4.71	1.75	4.96	1.77	5.09	1.78	5.47	1.82	5.72	1.85
	46.0	4.30	1.79	4.56	1.81	4.81	1.84	4.94	1.85	5.32	1.89	5.57	1.91

3D075215

SYMBOLS - ABKÜRZUNGEN ΣΥΜΒΟΛΑ - SIMBOLOS SIMBOLES - SIMBOLI VERKLARING - ОБОЗНАЧЕНИЯ SEMBOLLER

TC: Total capacity (kW)
PI: Power input (kW)

TC: Gesamtleistung (kW)
PI: Leistungsaufnahme (kW)

TC: Συνολική απόδοση (kW)
PI: Ισχύς εισόδου (kW)

TC: Capacidad total (kW)
PI: Potencia consumida (kW)

TC: Puissance totale (kW)
PI: Puissance absorbée (kW)

TC: Capacità totale (kW)
PI: Potenza assorbita (kW)

TC: Totale capaciteit (kW)
PI: Opgenomen vermogen (kW)

TC: Общая мощность (кВт)
PI: Входная мощность (кВт)

TC: Toplam kapasite (kW)
PI: Güç girişi (kW)

NOTES - ANMERKUNGEN - ΣΗΜΕΙΩΣΕΙΣ - NOTAS - REMARQUES - NOTE OPMERKINGEN - ПРИМЕЧАНИЯ - NOTLAR

1 Capacities are based on the following conditions.
- Corresponding refrigerant piping length: 5m
- Level difference: 0m
Die Kapazität basiert auf den folgenden Bedingungen:
- Entsprechende Kältemittelrohrlänge: 5m
- Höhenunterschied: 0m
Οι αποδόσεις βασίζονται στις ακόλουθες συνθήκες.
- Αντιστοίχο μήκος σωληνώσεων ψυκτικού: 5m
- Υψομετρική διαφορά: 0m
Las capacidades se basan en las siguientes condiciones.
- Longitud de tubería de refrigerante equivalente: 5m
- Diferencia de nivel: 0m
Les puissances sont basées sur les conditions suivantes.
- Longueur de tuyauterie correspondante du réfrigérant: 5m
- Dénivellation: 0m
Le capacità si basano sulle seguenti condizioni.
- Lunghezza equivalente delle tubazioni del refrigerante: 5m
- Dislivello: 0m
De capaciteit is gebaseerd op de volgende situatie.
- Overeenstemmende leidinglengte koelvloeistof: 5m
- Niveaunderschil: 0m
Данные мощности основаны на следующих условиях.
- Соответствующая длина трубы охлаждения: 5м
- Разность уровней - 0м
Kapasiteler aşağıdaki koşullara bağlıdır
- İlgili soğutucu boru uzunluğu: 5m
- Seviye farkı: 0m

2 The bold line **□** is indicated the standard condition.
Die dicke Linie **□** kennzeichnet die Standardbedingung.
Η έντονη γραμμή **□** υποδηλώνει την κανονική κατάσταση.
La línea en negra **□** indica las condiciones estándar.

La ligne en gras **□** indique un état standard.
La linea in grassetto **□** indica la condizione standard.
De vette lijn **□** duidt de standaardtoestand aan.
Жирная линия **□** указывает стандартное условие.
Kalın çizgi **□** standart koşul olarak belirtilmektedir.

3 The above is the value for connecting with the following indoor units. 1.5; 2.0; 2.5; 3.5kW class; wall mounted K series. 4.2; 5.0kW class; wall mounted J series.
Der obige Wert gilt für den Anschluss an die folgenden Innengeräte. Klasse 1,5; 2,0; 2,5; 3,5kW Wandgerät vom Typ K. Klasse 4,2; 5,0kW Wandgerät vom Typ J.
Η παραπάνω είναι τιμή για σύνδεση με τις παρακάτω εσωτερικές μονάδες. Κατηγορία 1,5; 2,0; 2,5; 3,5kW επίτοιχη σειρά K. Κατηγορία 4,2; 5,0kW επίτοιχη σειρά J.
El valor anterior es válido para la conexión con las unidades interiores siguientes. Clase 1,5; 2,0; 2,5; 3,5kW unidad de pared de la serie K. Clase 4,2; 5,0kW unidad de pared de la serie J.
La valeur ci-avant est la valeur pour la connexion aux unités intérieures suivantes. Série murale K, classe 1,5; 2,0; 2,5; 3,5kW. Série murale J, classe 4,2; 5,0kW. Il valore indicato in alto si riferisce al collegamento delle seguenti unità interne. Classe 1,5; 2,0; 2,5; 3,5kW serie a parete K. Classe 4,2; 5,0kW serie a parete J. Bovenstaande waarde is de waarde voor verbinding met de volgende binneneenheden. Klasse 1,5; 2,0; 2,5; 3,5kW reeks K voor wandmontage. Klasse 4,2; 5,0kW reeks J voor wandmontage.
Значение выше является значением для подсоединения со следующими внутренними блоками. Класс 1,5; 2,0; 2,5; 3,5кВт настенный блок серии K. Класс 4,2; 5,0кВт настенный блок серии J.
Yukarıdaki değer aşağıdaki iç ünitelerle bağlantı içindir. 1,5; 2,0; 2,5; 3,5kW sınıfı; duvar tipi K serisi. 4,2; 5,0kW sınıfı; duvar tipi J serisi.

5 Capacity tables

5 - 3 Heating Capacity Tables

2MXS40H Heating (50Hz 230V)

Combination (Capacity)	Outdoor air temp. °CWB	Indoor air temp. °CDB											
		16°C		18°C		20°C		21°C		22°C		24°C	
		TC kW	PI kW	TC kW	PI kW	TC kW	PI kW	TC kW	PI kW	TC kW	PI kW	TC kW	PI kW
1.5	-10.0	2.28	1.01	2.23	1.02	2.18	1.03	2.16	1.04	2.14	1.04	2.09	1.05
	-7.0	2.51	1.04	2.46	1.05	2.42	1.06	2.39	1.07	2.37	1.07	2.32	1.08
	-5.0	2.66	1.06	2.62	1.07	2.57	1.08	2.55	1.09	2.52	1.09	2.48	1.10
	-2.0	2.90	1.09	2.85	1.10	2.80	1.11	2.78	1.12	2.75	1.12	2.71	1.13
	0.0	3.05	1.11	3.00	1.12	2.96	1.13	2.93	1.14	2.91	1.14	2.86	1.15
	1.0	3.13	1.12	3.08	1.13	3.03	1.14	3.01	1.15	2.99	1.15	2.94	1.16
	3.0	3.28	1.14	3.24	1.15	3.19	1.16	3.16	1.17	3.14	1.17	3.09	1.18
	6.0	3.51	1.17	3.47	1.18	3.42	1.19	3.40	1.20	3.37	1.20	3.33	1.21
	8.0	3.67	1.19	3.62	1.20	3.57	1.21	3.55	1.21	3.53	1.22	3.48	1.23
	10.0	3.82	1.21	3.78	1.22	3.73	1.23	3.71	1.23	3.68	1.24	3.63	1.25
	12.0	3.98	1.23	3.93	1.24	3.88	1.25	3.86	1.25	3.84	1.26	3.79	1.27
	15.0	4.21	1.26	4.16	1.27	4.12	1.28	4.09	1.28	4.07	1.29	4.02	1.30
	18.0	3.83	1.07	3.76	1.07	3.70	1.07	3.67	1.07	3.64	1.07	3.58	1.07
2.0	-10.0	2.47	1.08	2.41	1.09	2.36	1.10	2.34	1.11	2.31	1.11	2.26	1.13
	-7.0	2.72	1.11	2.66	1.12	2.61	1.13	2.59	1.14	2.56	1.15	2.51	1.16
	-5.0	2.88	1.13	2.83	1.14	2.78	1.15	2.76	1.16	2.73	1.17	2.68	1.18
	-2.0	3.13	1.16	3.08	1.17	3.03	1.19	3.01	1.19	2.98	1.20	2.93	1.21
	0.0	3.30	1.18	3.25	1.20	3.20	1.21	3.17	1.21	3.15	1.22	3.10	1.23
	1.0	3.38	1.19	3.33	1.21	3.28	1.22	3.26	1.22	3.23	1.23	3.18	1.24
	3.0	3.55	1.22	3.50	1.23	3.45	1.24	3.42	1.24	3.40	1.25	3.35	1.26
	6.0	3.80	1.25	3.75	1.26	3.70	1.27	3.67	1.28	3.65	1.28	3.60	1.29
	8.0	3.97	1.27	3.92	1.28	3.87	1.29	3.84	1.30	3.82	1.30	3.76	1.31
	10.0	4.14	1.29	4.09	1.30	4.03	1.31	4.01	1.32	3.98	1.32	3.93	1.33
	12.0	4.30	1.31	4.25	1.32	4.20	1.33	4.18	1.34	4.15	1.34	4.10	1.36
	15.0	4.55	1.34	4.50	1.35	4.45	1.36	4.43	1.37	4.40	1.38	4.35	1.39
	18.0	3.93	1.07	3.87	1.07	3.80	1.07	3.77	1.07	3.74	1.07	3.68	1.07
2.5	-10.0	2.73	1.29	2.68	1.31	2.62	1.32	2.59	1.33	2.56	1.33	2.51	1.35
	-7.0	3.01	1.33	2.95	1.34	2.90	1.36	2.87	1.36	2.84	1.37	2.78	1.38
	-5.0	3.19	1.35	3.14	1.37	3.08	1.38	3.05	1.39	3.02	1.40	2.97	1.41
	-2.0	3.47	1.39	3.42	1.41	3.36	1.42	3.33	1.43	3.30	1.43	3.25	1.45
	0.0	3.66	1.42	3.60	1.43	3.54	1.44	3.52	1.45	3.49	1.46	3.43	1.47
	1.0	3.75	1.43	3.69	1.44	3.64	1.46	3.61	1.46	3.58	1.47	3.52	1.48
	3.0	3.94	1.46	3.88	1.47	3.82	1.48	3.79	1.49	3.77	1.50	3.71	1.51
	6.0	4.21	1.49	4.16	1.51	4.10	1.52	4.07	1.53	4.04	1.53	3.99	1.55
	8.0	4.40	1.52	4.34	1.53	4.29	1.55	4.26	1.55	4.23	1.56	4.17	1.57
	10.0	4.58	1.54	4.53	1.56	4.47	1.57	4.44	1.58	4.41	1.58	4.36	1.60
	12.0	4.77	1.57	4.71	1.58	4.66	1.60	4.63	1.60	4.60	1.61	4.54	1.62
	15.0	4.85	1.52	4.77	1.52	4.69	1.52	4.65	1.52	4.61	1.52	4.54	1.52
	18.0	3.81	1.07	3.76	1.07	3.70	1.07	3.67	1.07	3.64	1.07	3.59	1.07

3D075149

SYMBOLS - ABKÜRZUNGEN ΣΥΜΒΟΛΑ - SIMBOLOS SIMBOLES - SIMBOLI VERKLARING - ОБОЗНАЧЕНИЯ SEMBOLER

TC: Total capacity (kW)
PI: Power input (kW)

TC: Gesamtleistung (kW)
PI: Leistungsaufnahme (kW)

TC: Συνολική απόδοση (kW)
PI: Ισχύς εισόδου (kW)

TC: Capacidad total (kW)
PI: Potencia consumida (kW)

TC: Puissance totale (kW)
PI: Puissance absorbée (kW)

TC: Capacità totale (kW)
PI: Potenza assorbita (kW)

TC: Totale capaciteit (kW)
PI: Opgenomen vermogen (kW)

TC: Общая мощность (кВт)
PI: Входная мощность (кВт)

TC: Toplam kapasite (kW)
PI: Güç girişi (kW)

NOTES - ANMERKUNGEN - ΣΗΜΕΙΩΣΕΙΣ - NOTAS - REMARQUES - NOTE OPMERKINGEN - ПРИМЕЧАНИЯ - NOTLAR

1 Capacities are based on the following conditions.
- Corresponding refrigerant piping length: 5.0m
- Level difference: 0m
Die Kapazität basiert auf den folgenden Bedingungen:
- Entsprechende Kältemittelrohrlänge: 5,0m
- Höhenunterschied: 0m
Οι αποδόσεις βασίζονται στις ακόλουθες συνθήκες.
- Αντιστοίχο μήκος αληγωώσεων ψυκτικού: 5,0m
- Ύψομετρική διαφορά: 0m
Las capacidades se basan en las siguientes condiciones.
- Longitud de tubería de refrigerante equivalente : 5,0m
- Diferencia de nivel: 0m
Les puissances sont basées sur les conditions suivantes.
- Longueur de tuyauterie correspondante du réfrigérant : 5,0m
- Dénivellation: 0m
Le capacità si basano sulle seguenti condizioni.
- Lunghezza equivalente delle tubazioni del refrigerante: 5,0m
- Dislivello: 0m
De capaciteit is gebaseerd op de volgende situatie.
- Overtenstemmende leidinglengte koelvoelstof: 5,0m
- Niveaunderschil: 0m
Данные мощности основаны на следующих условиях.
- Соответствующая длина трубы охлаждения: 5,0m
- Разность уровней - 0м
Kapasiteler aşağıdaki koşullara bağlıdır
- İlgili soğutucu boru uzunluğu: 5,0m
- Seviye farkı: 0m

2 The above is the value for connecting with the following indoor units.
1.5; 2.0; 2.5; 3.5kW class; wall mounted K series.
Der obige Wert gilt für den Anschluss an die folgenden Innengeräte.
Klasse 1,5; 2,0; 2,5; 3,5kW Wandgerät vom Typ K.
Η παραπάνω είναι τιμή για σύνδεση με τις παρακάτω εσωτερικές μονάδες. Κατηγορία
1,5; 2,0; 2,5; 3,5kW επίτοιχη σειρά K.
El valor anterior es válido para la conexión con las unidades interiores siguientes.
Clase 1,5; 2,0; 2,5; 3,5kW unidad de pared de la serie K.
La valeur ci-avant est la valeur pour la connexion aux unités intérieures suivantes.
Série murale K, classe 1,5; 2,0; 2,5; 3,5kW.
Il valore indicato in alto si riferisce al collegamento delle seguenti unità interne.
Classe 1,5; 2,0; 2,5; 3,5kW serie a parete K.
Bovenstaande waarde is de waarde voor verbinding met de volgende binneneenheden.
Klasse 1,5; 2,0; 2,5; 3,5kW reeks K voor wandmontage.
Значение выше является значением для подсоединения со следующими
внутренними блоками. Класс 1,5; 2,0; 2,5; 3,5кВт настенный блок серии K.
Yukarıdaki değer aşağıdaki iç ünitelerle bağlantı içindir.
1,5; 2,0; 2,5; 3,5kW sınıfı; duvar tipi K serisi.

5 Capacity tables

5 - 3 Heating Capacity Tables

2MXS40H Heating (50Hz 230V)

Combination (Capacity)	Outdoor air temp. °CWB	Indoor air temp. °CDB											
		16°C		18°C		20°C		21°C		22°C		24°C	
		TC kW	PI kW	TC kW	PI kW	TC kW	PI kW	TC kW	PI kW	TC kW	PI kW	TC kW	PI kW
3.5	-10.0	2.93	1.47	2.87	1.49	2.81	1.50	2.78	1.51	2.75	1.52	2.69	1.53
	-7.0	3.23	1.51	3.17	1.53	3.11	1.54	3.08	1.55	3.05	1.56	2.99	1.58
	-5.0	3.43	1.54	3.37	1.56	3.31	1.57	3.28	1.58	3.25	1.59	3.19	1.60
	-2.0	3.73	1.58	3.67	1.60	3.61	1.62	3.57	1.62	3.54	1.63	3.48	1.65
	0.0	3.93	1.61	3.86	1.63	3.80	1.64	3.77	1.65	3.74	1.66	3.68	1.68
	1.0	4.02	1.63	3.96	1.64	3.90	1.66	3.87	1.67	3.84	1.67	3.78	1.69
	3.0	4.22	1.66	4.16	1.67	4.10	1.69	4.07	1.70	4.04	1.70	3.98	1.72
	6.0	4.52	1.70	4.46	1.71	4.40	1.73	4.37	1.74	4.34	1.75	4.28	1.76
	8.0	4.72	1.73	4.66	1.74	4.60	1.76	4.57	1.77	4.54	1.77	4.48	1.79
	10.0	4.92	1.76	4.86	1.77	4.80	1.79	4.77	1.79	4.74	1.80	4.68	1.82
	12.0	5.12	1.78	5.06	1.80	5.00	1.82	4.97	1.82	4.94	1.83	4.87	1.85
	15.0	4.77	1.52	4.70	1.52	4.62	1.52	4.59	1.52	4.55	1.52	4.48	1.52
	18.0	3.75	1.07	3.70	1.07	3.65	1.07	3.62	1.07	3.60	1.07	3.55	1.07
1.5+1.5	-10.0	2.84	0.94	2.78	0.95	2.72	0.96	2.69	0.97	2.66	0.97	2.60	0.98
	-7.0	3.13	0.97	3.07	0.98	3.01	0.99	2.98	1.00	2.95	1.00	2.89	1.01
	-5.0	3.32	0.99	3.26	1.00	3.20	1.01	3.17	1.01	3.14	1.02	3.08	1.03
	-2.0	3.61	1.02	3.55	1.03	3.49	1.04	3.46	1.04	3.43	1.05	3.37	1.06
	0.0	3.80	1.04	3.74	1.05	3.68	1.06	3.65	1.06	3.62	1.07	3.57	1.08
	1.0	3.90	1.04	3.84	1.05	3.78	1.06	3.75	1.07	3.72	1.07	3.66	1.08
	3.0	4.09	1.06	4.03	1.07	3.97	1.08	3.94	1.09	3.91	1.09	3.85	1.10
	6.0	4.38	1.09	4.32	1.10	4.26	1.11	4.23	1.12	4.20	1.12	4.14	1.13
	8.0	4.57	1.11	4.51	1.12	4.45	1.13	4.42	1.13	4.39	1.14	4.33	1.15
	10.0	4.76	1.13	4.70	1.14	4.64	1.15	4.62	1.15	4.59	1.16	4.53	1.17
	12.0	4.95	1.14	4.90	1.15	4.84	1.16	4.81	1.17	4.78	1.17	4.72	1.18
	15.0	5.24	1.17	5.18	1.18	5.13	1.19	5.10	1.20	5.07	1.20	5.01	1.21
	18.0	5.01	1.07	4.93	1.07	4.84	1.07	4.80	1.07	4.76	1.07	4.68	1.07
1.5+2.0	-10.0	2.96	0.98	2.90	0.99	2.84	1.00	2.81	1.00	2.77	1.01	2.71	1.02
	-7.0	3.26	1.01	3.20	1.02	3.14	1.03	3.11	1.03	3.08	1.04	3.01	1.05
	-5.0	3.46	1.03	3.40	1.04	3.34	1.05	3.31	1.05	3.28	1.06	3.21	1.07
	-2.0	3.76	1.05	3.70	1.06	3.64	1.07	3.61	1.08	3.58	1.08	3.52	1.09
	0.0	3.96	1.07	3.90	1.08	3.84	1.09	3.81	1.10	3.78	1.10	3.72	1.11
	1.0	4.06	1.08	4.00	1.09	3.94	1.10	3.91	1.11	3.88	1.11	3.82	1.12
	3.0	4.26	1.10	4.20	1.11	4.14	1.12	4.11	1.13	4.08	1.13	4.02	1.14
	6.0	4.56	1.13	4.50	1.14	4.44	1.15	4.41	1.16	4.38	1.16	4.32	1.17
	8.0	4.76	1.15	4.70	1.16	4.64	1.17	4.61	1.17	4.58	1.18	4.52	1.19
	10.0	4.96	1.17	4.90	1.18	4.84	1.19	4.81	1.19	4.78	1.20	4.72	1.21
	12.0	5.16	1.19	5.10	1.20	5.04	1.21	5.01	1.21	4.98	1.22	4.92	1.23
	15.0	5.47	1.21	5.40	1.22	5.34	1.24	5.31	1.24	5.28	1.25	5.22	1.26
	18.0	5.07	1.07	4.98	1.07	4.90	1.07	4.85	1.07	4.81	1.07	4.73	1.07

3D075149

**SYMBOLS - ABKÜRZUNGEN
ΣΥΜΒΟΛΑ - SIMBOLOS
SIMBOLES - SIMBOLI
VERKLARING - ОБОЗНАЧЕНИЯ
SEMBOLLER**

TC: Total capacity (kW)
PI: Power input (kW)

TC: Gesamtleistung (kW)
PI: Leistungsaufnahme (kW)

TC: Συνολική απόδοση (kW)
PI: Ισχύς εισόδου (kW)

TC: Capacidad total (kW)
PI: Potencia consumida (kW)

TC: Pissance totale (kW)
PI: Pissance absorbee (kW)

TC: Capacità totale (kW)
PI: Potenza assorbita (kW)

TC: Totale capaciteit (kW)
PI: Orgenomen vermogen (kW)

TC: Общая мощность (кВт)
PI: Входная мощность (кВт)

TC: Toplam kapasite (kW)
PI: Güç girişi (kW)

**NOTES - ANMERKUNGEN - ΣΗΜΕΙΩΣΕΙΣ - NOTAS - REMARQUES - NOTE
OPMERKINGEN - ПРИМЕЧАНИЯ - NOTLAR**

1 Capacities are based on the following conditions.
- Corresponding refrigerant piping length: 5.0m
- Level difference: 0m
Die Kapazität basiert auf den folgenden Bedingungen:
- Entsprechende Kältemittelrohrlänge: 5,0m
- Höhenunterschied: 0m
Οι αποδόσεις βασίζονται στις ακόλουθες συνθήκες.
- Αντιστοίχο μήκος σωληνώσεων ψυκτικού: 5,0m
- Υψομετρική διαφορά: 0m
Las capacidades se basan en las siguientes condiciones.
- Longitud de tubería de refrigerante equivalente: 5,0m
- Diferencia de nivel: 0m
Les puissances sont basées sur les conditions suivantes.
- Longueur de tuyauterie correspondante du réfrigérant : 5,0m
- Dénivellation: 0m
Le capacità si basano sulle seguenti condizioni.
- Lunghezza equivalente delle tubazioni del refrigerante: 5,0m
- Dislivello: 0m
De capaciteit is gebaseerd op de volgende situatie.
- Overeenstemmende leidinglengte koelvoelstof: 5,0m
- Niveaunderschil: 0m
Данные мощности основаны на следующих условиях.
- Соответствующая длина трубы охлаждения: 5,0m
- Разность уровней - 0м
Kapasiteler aşağıdaki koşullara bağlıdır
- İlgili soğutucu boru uzunluğu: 5,0m
- Seviye farkı: 0m

2 The above is the value for connecting with the following indoor units.
1.5; 2.0; 2.5; 3.5kW class; wall mounted K series.
Der obige Wert gilt für den Anschluss an die folgenden Innengeräte.
Klasse 1.5; 2.0; 2.5; 3,5kW Wandgerät vom Typ K.
Η παραπάνω είναι τιμή για σύνδεση με τις παρακάτω εσωτερικές μονάδες. Κατηγορία
1.5; 2.0; 2.5; 3,5kW επίτοιχο σειρά K.
El valor anterior es válido para la conexión con las unidades interiores siguientes.
Clase 1.5; 2.0; 2.5; 3,5kW unidad de pared de la serie K.
La valeur ci-avant est la valeur pour la connexion aux unités intérieures suivantes.
Série murale K, classe 1.5; 2.0; 2.5; 3,5kW.
Il valore indicato in alto si riferisce al collegamento delle seguenti unità interne.
Classe 1.5; 2.0; 2.5; 3,5kW serie a parete K.
Bovenstaande waarde is de waarde voor verbinding met de volgende binnunits.
Klasse 1.5; 2.0; 2.5; 3,5kW reeks K voor wandmontage.
Значение выше является значением для подсоединения со следующими
внутренними блоками. Класс 1.5; 2.0; 2.5; 3.5кВт настенный блок серии K.
Yukarıdaki değer aşağıdaki iç ünitelerle bağlantı içindir.
1.5; 2.0; 2.5; 3,5kW sınıfı; duvar tipi K serisi.

5 Capacity tables

5 - 3 Heating Capacity Tables

2MXS40H Heating (50Hz 230V)

Combination (Capacity)	Outdoor air temp. °CWB	Indoor air temp. °CDB												
		16°C		18°C		20°C		21°C		22°C		24°C		
		TC kW	PI kW	TC kW	PI kW	TC kW	PI kW	TC kW	PI kW	TC kW	PI kW	TC kW	PI kW	
1.5+2.5	-10.0	3.05	1.04	2.99	1.05	2.93	1.06	2.89	1.06	2.86	1.07	2.80	1.08	
	-7.0	3.36	1.07	3.30	1.08	3.24	1.09	3.20	1.09	3.17	1.10	3.11	1.11	
	-5.0	3.57	1.09	3.51	1.10	3.44	1.11	3.41	1.11	3.38	1.12	3.32	1.13	
	-2.0	3.88	1.12	3.82	1.13	3.75	1.14	3.72	1.15	3.69	1.15	3.63	1.16	
	0.0	4.09	1.14	4.02	1.15	3.96	1.16	3.93	1.17	3.90	1.17	3.83	1.18	
	1.0	4.19	1.15	4.13	1.16	4.06	1.17	4.03	1.18	4.00	1.18	3.94	1.19	
	3.0	4.40	1.17	4.33	1.18	4.27	1.19	4.24	1.20	4.21	1.20	4.14	1.21	
	6.0	4.71	1.20	4.64	1.21	4.58	1.22	4.55	1.23	4.52	1.23	4.45	1.24	
	8.0	4.91	1.22	4.85	1.23	4.79	1.24	4.76	1.25	4.72	1.25	4.66	1.26	
	10.0	5.12	1.24	5.06	1.25	4.99	1.26	4.96	1.27	4.93	1.27	4.87	1.28	
	12.0	5.33	1.26	5.26	1.27	5.20	1.28	5.17	1.29	5.14	1.29	5.07	1.30	
	15.0	5.64	1.29	5.57	1.30	5.51	1.31	5.48	1.32	5.45	1.32	5.38	1.33	
	18.0	4.98	1.07	4.89	1.07	4.81	1.07	4.77	1.07	4.73	1.07	4.65	1.07	
	1.5+3.5	-10.0	3.13	1.02	3.07	1.03	3.00	1.04	2.97	1.05	2.94	1.05	2.87	1.06
		-7.0	3.45	1.05	3.39	1.06	3.32	1.07	3.29	1.08	3.26	1.08	3.19	1.09
-5.0		3.66	1.07	3.60	1.08	3.53	1.09	3.50	1.10	3.47	1.10	3.40	1.11	
-2.0		3.98	1.10	3.92	1.11	3.85	1.12	3.82	1.13	3.79	1.13	3.72	1.14	
0.0		4.19	1.12	4.13	1.13	4.06	1.14	4.03	1.15	4.00	1.15	3.93	1.16	
1.0		4.30	1.13	4.23	1.14	4.17	1.15	4.14	1.16	4.10	1.16	4.04	1.17	
3.0		4.51	1.15	4.45	1.16	4.38	1.17	4.35	1.18	4.32	1.18	4.25	1.19	
6.0		4.83	1.18	4.76	1.19	4.70	1.20	4.67	1.21	4.64	1.21	4.57	1.22	
8.0		5.04	1.20	4.98	1.21	4.91	1.22	4.88	1.23	4.85	1.23	4.78	1.24	
10.0		5.25	1.22	5.19	1.23	5.12	1.24	5.09	1.24	5.06	1.25	4.99	1.26	
12.0		5.47	1.24	5.40	1.25	5.34	1.26	5.30	1.26	5.27	1.27	5.21	1.28	
15.0		5.79	1.27	5.72	1.28	5.66	1.29	5.62	1.29	5.59	1.30	5.53	1.31	
18.0		5.17	1.07	5.09	1.07	5.00	1.07	4.96	1.07	4.91	1.07	4.83	1.07	
2.0+2.0		-10.0	3.06	0.99	3.00	1.01	2.94	1.02	2.91	1.02	2.87	1.03	2.81	1.04
		-7.0	3.38	1.02	3.31	1.03	3.25	1.04	3.22	1.05	3.19	1.06	3.12	1.07
	-5.0	3.58	1.04	3.52	1.05	3.46	1.06	3.43	1.07	3.39	1.07	3.33	1.09	
	-2.0	3.90	1.07	3.83	1.08	3.77	1.09	3.74	1.10	3.71	1.10	3.64	1.11	
	0.0	4.10	1.09	4.04	1.10	3.98	1.11	3.94	1.12	3.91	1.12	3.85	1.13	
	1.0	4.21	1.10	4.14	1.11	4.08	1.12	4.05	1.13	4.02	1.13	3.95	1.14	
	3.0	4.42	1.12	4.35	1.13	4.29	1.14	4.26	1.15	4.22	1.15	4.16	1.16	
	6.0	4.73	1.15	4.66	1.16	4.60	1.17	4.57	1.18	4.54	1.18	4.47	1.19	
	8.0	4.93	1.17	4.87	1.18	4.81	1.19	4.78	1.19	4.74	1.20	4.68	1.21	
	10.0	5.14	1.19	5.08	1.20	5.02	1.21	4.98	1.21	4.95	1.22	4.89	1.23	
	12.0	5.35	1.21	5.29	1.22	5.22	1.23	5.19	1.23	5.16	1.24	5.10	1.25	
	15.0	5.66	1.24	5.60	1.25	5.53	1.26	5.50	1.26	5.47	1.27	5.41	1.28	
	18.0	5.17	1.07	5.09	1.07	5.00	1.07	4.95	1.07	4.91	1.07	4.83	1.07	

3D075150

SYMBOLS - ABKÜRZUNGEN ΣΥΜΒΟΛΑ - SIMBOLOS SIMBOLES - SIMBOLI VERKLARING - ОБОЗНАЧЕНИЯ SEMBOLER

TC: Total capacity (kW)
PI: Power input (kW)

TC: Gesamtleistung (kW)
PI: Leistungsaufnahme (kW)

TC: Συνολική απόδοση (kW)
PI: Ισχύς εισόδου (kW)

TC: Capacidad total (kW)
PI: Potencia absorbida (kW)

TC: Puissance totale (kW)
PI: Puissance absorbée (kW)

TC: Capacità totale (kW)
PI: Potenza assorbita (kW)

TC: Totale capaciteit (kW)
PI: Opgenomen vermogen (kW)

TC: Общая мощность (кВт)
PI: Входная мощность (кВт)

TC: Toplam kapasite (kW)
PI: Güç girişi (kW)

NOTES - ANMERKUNGEN - ΣΗΜΕΙΩΣΕΙΣ - NOTAS - REMARQUES - NOTE OPMERKINGEN - ПРИМЕЧАНИЯ - NOTLAR

1 Capacities are based on the following conditions.
- Corresponding refrigerant piping length: 5.0m
- Level difference: 0m
Die Kapazität basiert auf den folgenden Bedingungen:
- Entsprechende Kältemittelrohrlänge: 5,0m
- Höhenunterschied: 0m
Οι αποδόσεις βασίζονται στις ακόλουθες συνθήκες.
- Αντιστοίχο μήκος αληνωσών ψυκτικού: 5,0m
- Ύψομετρική διαφορά: 0m
Las capacidades se basan en las siguientes condiciones.
- Longitud de tubería de refrigerante equivalente: 5,0m
- Diferencia de nivel: 0m
Les puissances sont basées sur les conditions suivantes.
- Longueur de tuyauterie correspondante du réfrigérant: 5,0m
- Dénivellation: 0m
Le capacità si basano sulle seguenti condizioni.
- Lunghezza equivalente delle tubazioni del refrigerante: 5,0m
- Dislivello: 0m
De capaciteit is gebaseerd op de volgende situatie.
- Overtenstemmende leidinglengte koelvoelstof: 5,0m
- Niveaunderschil: 0m
Данные мощности основаны на следующих условиях.
- Соответствующая длина трубы охлаждения: 5,0m
- Разность уровней - 0м
Kapasiteler aşağıdaki koşullara bağlıdır
- İlgili soğutucu boru uzunluğu: 5,0m
- Seviye farkı: 0m

2 The above is the value for connecting with the following indoor units.
1.5; 2.0; 2.5; 3.5kW class; wall mounted K series.
Der obige Wert gilt für den Anschluss an die folgenden Innengeräte.
Klasse 1,5; 2,0; 2,5; 3,5kW Wandgerät vom Typ K.
Η παραπάνω είναι τιμή για σύνδεση με τις παρακάτω εσωτερικές μονάδες. Κατηγορία 1,5; 2,0; 2,5; 3,5kW επίτοιχη σειρά K.
El valor anterior es válido para la conexión con las unidades interiores siguientes.
Clase 1,5; 2,0; 2,5; 3,5kW unidad de pared de la serie K.
La valeur ci-avant est la valeur pour la connexion aux unités intérieures suivantes.
Série murale K, classe 1,5; 2,0; 2,5; 3,5kW.
Il valore indicato in alto si riferisce al collegamento delle seguenti unità interne.
Classe 1,5; 2,0; 2,5; 3,5kW serie a parete K.
Bovenstaande waarde is de waarde voor verbinding met de volgende binnenunits.
Klasse 1,5; 2,0; 2,5; 3,5kW reeks K voor wandmontage.
Значение выше является значением для подсоединения со следующими внутренними блоками. Класс 1,5; 2,0; 2,5; 3,5кВт настенный блок серии K.
Yukandaki değer aşağıdaki iç ünitelerle bağlantı içindir.
1,5; 2,0; 2,5; 3,5kW sınıfı; duvar tipi K serisi.

5 Capacity tables

5 - 3 Heating Capacity Tables

2MXS40H Heating (50Hz 230V)

Combination (Capacity)	Outdoor air temp. °CWB	Indoor air temp. °CDB											
		16°C		18°C		20°C		21°C		22°C		24°C	
		TC kW	PI kW	TC kW	PI kW	TC kW	PI kW	TC kW	PI kW	TC kW	PI kW	TC kW	PI kW
2. 0+2. 5	-10. 0	3. 13	1. 03	3. 07	1. 04	3. 00	1. 05	2. 97	1. 06	2. 94	1. 06	2. 87	1. 07
	-7. 0	3. 45	1. 06	3. 39	1. 07	3. 32	1. 08	3. 29	1. 09	3. 26	1. 09	3. 19	1. 10
	-5. 0	3. 66	1. 08	3. 60	1. 09	3. 53	1. 10	3. 50	1. 11	3. 47	1. 11	3. 40	1. 12
	-2. 0	3. 98	1. 11	3. 92	1. 12	3. 85	1. 13	3. 82	1. 14	3. 79	1. 14	3. 72	1. 15
	0. 0	4. 19	1. 13	4. 13	1. 14	4. 06	1. 15	4. 03	1. 16	4. 00	1. 16	3. 93	1. 17
	1. 0	4. 30	1. 14	4. 23	1. 15	4. 17	1. 16	4. 14	1. 17	4. 10	1. 17	4. 04	1. 18
	3. 0	4. 51	1. 16	4. 45	1. 17	4. 38	1. 18	4. 35	1. 19	4. 32	1. 19	4. 25	1. 20
	6. 0	4. 83	1. 19	4. 76	1. 20	4. 70	1. 21	4. 67	1. 22	4. 64	1. 22	4. 57	1. 23
	8. 0	5. 04	1. 21	4. 98	1. 22	4. 91	1. 23	4. 88	1. 24	4. 85	1. 24	4. 78	1. 25
	10. 0	5. 25	1. 23	5. 19	1. 24	5. 12	1. 25	5. 09	1. 26	5. 06	1. 26	4. 99	1. 27
	12. 0	5. 47	1. 25	5. 40	1. 26	5. 34	1. 27	5. 30	1. 28	5. 27	1. 28	5. 21	1. 29
	15. 0	5. 79	1. 28	5. 72	1. 29	5. 66	1. 30	5. 62	1. 31	5. 59	1. 31	5. 53	1. 32
	18. 0	5. 14	1. 07	5. 05	1. 07	4. 97	1. 07	4. 92	1. 07	4. 88	1. 07	4. 80	1. 07
2. 0+3. 5	-10. 0	3. 13	1. 01	3. 07	1. 02	3. 00	1. 03	2. 97	1. 04	2. 94	1. 04	2. 87	1. 05
	-7. 0	3. 45	1. 04	3. 39	1. 05	3. 32	1. 06	3. 29	1. 07	3. 26	1. 07	3. 19	1. 08
	-5. 0	3. 66	1. 06	3. 60	1. 07	3. 53	1. 08	3. 50	1. 09	3. 47	1. 09	3. 40	1. 10
	-2. 0	3. 98	1. 09	3. 92	1. 10	3. 85	1. 11	3. 82	1. 12	3. 79	1. 12	3. 72	1. 13
	0. 0	4. 19	1. 11	4. 13	1. 12	4. 06	1. 13	4. 03	1. 14	4. 00	1. 14	3. 93	1. 15
	1. 0	4. 30	1. 12	4. 23	1. 13	4. 17	1. 14	4. 14	1. 15	4. 10	1. 15	4. 04	1. 16
	3. 0	4. 51	1. 14	4. 45	1. 15	4. 38	1. 16	4. 35	1. 17	4. 32	1. 17	4. 25	1. 18
	6. 0	4. 83	1. 17	4. 76	1. 18	4. 70	1. 19	4. 67	1. 20	4. 64	1. 20	4. 57	1. 21
	8. 0	5. 04	1. 19	4. 98	1. 20	4. 91	1. 21	4. 88	1. 21	4. 85	1. 22	4. 78	1. 23
	10. 0	5. 25	1. 21	5. 19	1. 22	5. 12	1. 23	5. 09	1. 23	5. 06	1. 24	4. 99	1. 25
	12. 0	5. 47	1. 23	5. 40	1. 24	5. 34	1. 25	5. 30	1. 25	5. 27	1. 26	5. 21	1. 27
	15. 0	5. 79	1. 26	5. 72	1. 27	5. 66	1. 28	5. 62	1. 28	5. 59	1. 29	5. 53	1. 30
	18. 0	5. 21	1. 07	5. 12	1. 07	5. 03	1. 07	4. 99	1. 07	4. 95	1. 07	4. 86	1. 07
2. 5+2. 5	-10. 0	3. 13	1. 02	3. 07	1. 03	3. 00	1. 04	2. 97	1. 05	2. 94	1. 05	2. 87	1. 06
	-7. 0	3. 45	1. 05	3. 39	1. 06	3. 32	1. 07	3. 29	1. 08	3. 26	1. 08	3. 19	1. 09
	-5. 0	3. 66	1. 07	3. 60	1. 08	3. 53	1. 09	3. 50	1. 10	3. 47	1. 10	3. 40	1. 11
	-2. 0	3. 98	1. 10	3. 92	1. 11	3. 85	1. 12	3. 82	1. 13	3. 79	1. 13	3. 72	1. 14
	0. 0	4. 19	1. 12	4. 13	1. 13	4. 06	1. 14	4. 03	1. 15	4. 00	1. 15	3. 93	1. 16
	1. 0	4. 30	1. 13	4. 23	1. 14	4. 17	1. 15	4. 14	1. 16	4. 10	1. 16	4. 04	1. 17
	3. 0	4. 51	1. 15	4. 45	1. 16	4. 38	1. 17	4. 35	1. 18	4. 32	1. 18	4. 25	1. 19
	6. 0	4. 83	1. 18	4. 76	1. 19	4. 70	1. 20	4. 67	1. 21	4. 64	1. 21	4. 57	1. 22
	8. 0	5. 04	1. 20	4. 98	1. 21	4. 91	1. 22	4. 88	1. 23	4. 85	1. 23	4. 78	1. 24
	10. 0	5. 25	1. 22	5. 19	1. 23	5. 12	1. 24	5. 09	1. 24	5. 06	1. 25	4. 99	1. 26
	12. 0	5. 47	1. 24	5. 40	1. 25	5. 34	1. 26	5. 30	1. 26	5. 27	1. 27	5. 21	1. 28
	15. 0	5. 79	1. 27	5. 72	1. 28	5. 66	1. 29	5. 62	1. 29	5. 59	1. 30	5. 53	1. 31
	18. 0	5. 17	1. 07	5. 09	1. 07	5. 00	1. 07	4. 96	1. 07	4. 91	1. 07	4. 83	1. 07

3D075150

SYMBOLS - ABKÜRZUNGEN ΣΥΜΒΟΛΑ - SIMBOLOS SIMBOLES - SIMBOLI VERKLARING - ОБОЗНАЧЕНИЯ SEMBOLLER

TC: Total capacity (kW)
PI: Power input (kW)

TC: Gesamtleistung (kW)
PI: Leistungsaufnahme (kW)

TC: Συνολική απόδοση (kW)
PI: Ισχύς εισόδου (kW)

TC: Capacidad total (kW)
PI: Potencia consumida (kW)

TC: Pissance totale (kW)
PI: Pissance absorbee (kW)

TC: Capacità totale (kW)
PI: Potenza assorbita (kW)

TC: Totale capaciteit (kW)
PI: Orgenomen vermogen (kW)

TC: Общая мощность (кВт)
PI: Входная мощность (кВт)

TC: Toplam kapasite (kW)
PI: Güç girişi (kW)

NOTES - ANMERKUNGEN - ΣΗΜΕΙΩΣΕΙΣ - NOTAS - REMARQUES - NOTE OPMERKINGEN - ПРИМЕЧАНИЯ - NOTLAR

1 Capacities are based on the following conditions.
- Corresponding refrigerant piping length: 5.0m
- Level difference: 0m
Die Kapazität basiert auf den folgenden Bedingungen:
- Entsprechende Kältemittelrohrlänge: 5,0m
- Höhenunterschied: 0m
Οι αποδόσεις βασίζονται στις ακόλουθες συνθήκες.
- Αντιστοίχο μήκος σωληνώσεων ψυκτικού: 5,0m
- Υψομετρική διαφορά: 0m
Las capacidades se basan en las siguientes condiciones.
- Longitud de tubería de refrigerante equivalente: 5,0m
- Diferencia de nivel: 0m
Les puissances sont basées sur les conditions suivantes.
- Longueur de tuyauterie correspondante du réfrigérant : 5,0m
- Dénivellation: 0m
Le capacità si basano sulle seguenti condizioni.
- Lunghezza equivalente delle tubazioni del refrigerante: 5,0m
- Dislivello: 0m
De capaciteit is gebaseerd op de volgende situatie.
- Overeenstemmende leidinglengte koelvloeistof: 5,0m
- Niveaunderschil: 0m
Данные мощности основаны на следующих условиях.
- Соответствующая длина трубы охлаждения: 5,0m
- Разность уровней - 0м
Kapasiteler aşağıdaki koşullara bağlıdır
- İlgili soğutucu boru uzunluğu: 5,0m
- Seviye farkı: 0m

2 The above is the value for connecting with the following indoor units.
1.5; 2.0; 2.5; 3.5kW class; wall mounted K series.
Der obige Wert gilt für den Anschluss an die folgenden Innengeräte.
Klasse 1.5; 2.0; 2.5; 3,5kW Wandgerät vom Typ K.
Η παραπάνω είναι τιμή για σύνδεση με τις παρακάτω εσωτερικές μονάδες. Κατηγορία
1.5; 2.0; 2.5; 3,5kW επίτοιχο σειρά K.
El valor anterior es válido para la conexión con las unidades interiores siguientes.
Clase 1.5; 2.0; 2.5; 3,5kW unidad de pared de la serie K.
La valeur ci-avant est la valeur pour la connexion aux unités intérieures suivantes.
Série murale K, classe 1.5; 2.0; 2.5; 3,5kW.
Il valore indicato in alto si riferisce al collegamento delle seguenti unità interne.
Classe 1.5; 2.0; 2.5; 3,5kW serie a parete K.
Bovenstaande waarde is de waarde voor verbinding met de volgende binnunits.
Klasse 1.5; 2.0; 2.5; 3,5kW reeks K voor wandmontage.
Значение выше является значением для подсоединения со следующими
внутренними блоками. Класс 1.5; 2.0; 2.5; 3.5кВт настенный блок серии K.
Yukarıdaki değer aşağıdaki iç ünitelerle bağlantı içindir.
1.5; 2.0; 2.5; 3,5kW sınıfı; duvar tipi K serisi.

5 Capacity tables

5 - 3 Heating Capacity Tables

2MXS40H

Heating (50Hz 230V)

Combination (Capacity)	Outdoor air temp. °CWB	Indoor air temp. °CDB											
		16°C		18°C		20°C		21°C		22°C		24°C	
		TC kW	PI kW	TC kW	PI kW	TC kW	PI kW	TC kW	PI kW	TC kW	PI kW	TC kW	PI kW
2. 5+3. 5	-10.0	3.13	1.00	3.07	1.01	3.00	1.02	2.97	1.03	2.94	1.04	2.87	1.05
	-7.0	3.45	1.03	3.39	1.04	3.32	1.05	3.29	1.06	3.26	1.06	3.19	1.07
	-5.0	3.66	1.05	3.60	1.06	3.53	1.07	3.50	1.08	3.47	1.08	3.40	1.09
	-2.0	3.98	1.08	3.92	1.09	3.85	1.10	3.82	1.11	3.79	1.11	3.72	1.12
	0.0	4.19	1.10	4.13	1.11	4.06	1.12	4.03	1.13	4.00	1.13	3.93	1.14
	1.0	4.30	1.11	4.23	1.12	4.17	1.13	4.14	1.14	4.10	1.14	4.04	1.15
	3.0	4.51	1.13	4.45	1.14	4.38	1.15	4.35	1.16	4.32	1.16	4.25	1.17
	6.0	4.83	1.16	4.76	1.17	4.70	1.18	4.67	1.19	4.64	1.19	4.57	1.20
	8.0	5.04	1.18	4.98	1.19	4.91	1.20	4.88	1.20	4.85	1.21	4.78	1.22
	10.0	5.25	1.20	5.19	1.21	5.12	1.22	5.09	1.22	5.06	1.23	4.99	1.24
	12.0	5.47	1.22	5.40	1.23	5.34	1.24	5.30	1.24	5.27	1.25	5.21	1.26
	15.0	5.79	1.25	5.72	1.26	5.66	1.27	5.62	1.27	5.59	1.28	5.53	1.29
	18.0	5.25	1.07	5.16	1.07	5.07	1.07	5.02	1.07	4.98	1.07	4.90	1.07

3D075151

5

**SYMBOLS - ABKÜRZUNGEN
ΣΥΜΒΟΛΑ - SIMBOLOS
SIMBOLES - SIMBOLI
VERKLARING - ОБОЗНАЧЕНИЯ
SEMBOLER**

TC: Total capacity (kW)
PI: Power input (kW)

TC: Gesamtleistung (kW)
PI: Leistungsaufnahme (kW)

TC: Συνολική απόδοση (kW)
PI: Ισχύς εισόδου (kW)

TC: Capacidad total (kW)
PI: Potencia consumida (kW)

TC: Puissance totale (kW)
PI: Puissance absorbée (kW)

TC: Capacità totale (kW)
PI: Potenza assorbita (kW)

TC: Totale capaciteit (kW)
PI: Opgenomen vermogen (kW)

TC: Общая мощность (кВт)
PI: Входная мощность (кВт)

TC: Toplam kapasite (kW)
PI: Güç girişi (kW)

**NOTES - ANMERKUNGEN - ΣΗΜΕΙΩΣΕΙΣ - NOTAS - REMARQUES - NOTE
OPMERKINGEN - ПРИМЕЧАНИЯ - NOTLAR**

1 Capacities are based on the following conditions.
- Corresponding refrigerant piping length: 5.0m
- Level difference: 0m
Die Kapazität basiert auf den folgenden Bedingungen:
- Entsprechende Kältemittelrohrlänge: 5,0m
- Höhenunterschied: 0m
Οι αποδόσεις βασίζονται στις ακόλουθες συνθήκες.
- Αντιστοίχο μήκος αληγνώσεων ψυκτικού: 5,0m
- Υψομετρική διαφορά: 0m
Las capacidades se basan en las siguientes condiciones.
- Longitud de tubería de refrigerante equivalente: 5,0m
- Diferencia de nivel: 0m
Les puissances sont basées sur les conditions suivantes.
- Longueur de tuyauterie correspondante du réfrigérant: 5,0m
- Dénivellation: 0m
Le capacità si basano sulle seguenti condizioni.
- Lunghezza equivalente delle tubazioni del refrigerante: 5,0m
- Dislivello: 0m
De capaciteit is gebaseerd op de volgende situatie.
- Overeenstemmende leidinglengte koelvoelstof: 5,0m
- Niveaunverschil: 0m
Данные мощности основаны на следующих условиях.
- Соответствующая длина трубы охлаждения: 5,0m
- Разность уровней: 0m
Kapasiteler aşağıdaki koşullara bağlıdır
- İlgili soğutucu boru uzunluğu: 5,0m
- Seviye farkı: 0m

2 The above is the value for connecting with the following indoor units.
1.5; 2.0; 2.5; 3.5kW class; wall mounted K series.
Der obige Wert gilt für den Anschluss an die folgenden Innengeräte.
Klasse 1,5; 2,0; 2,5; 3,5kW Wandgerät vom Typ K.
Η παραπάνω είναι τιμή για σύνδεση με τις παρακάτω εσωτερικές μονάδες. Κατηγορία
1,5; 2,0; 2,5; 3,5kW επίτοιχη σειρά K.
El valor anterior es válido para la conexión con las unidades interiores siguientes.
Clase 1,5; 2,0; 2,5; 3,5kW unidad de pared de la serie K.
La valeur ci-avant est la valeur pour la connexion aux unités intérieures suivantes.
Série murale K, classe 1,5; 2,0; 2,5; 3,5kW.
Il valore indicato in alto si riferisce al collegamento delle seguenti unità interne.
Classe 1,5; 2,0; 2,5; 3,5kW serie a parete K.
Bovenstaande waarde is de waarde voor verbinding met de volgende binneneenheden.
Klasse 1,5; 2,0; 2,5; 3,5kW reeks K voor wandmontage.
Значение выше является значением для подсоединения со следующими
внутренними блоками. Класс 1,5; 2,0; 2,5; 3,5кВт настенный блок серии K.
Yukarıdaki değer aşağıdaki iç ünitelerle bağlantı içindir.
1,5; 2,0; 2,5; 3,5kW sınıfı; duvar tipi K serisi.

5 Capacity tables

5 - 3 Heating Capacity Tables

2MXS50H

Heating (50Hz 230V)

Combination (Capacity)	Outdoor air temp. °CWB	Indoor air temp. °CDB											
		16°C		18°C		20°C		21°C		22°C		24°C	
		TC kW	PI kW	TC kW	PI kW	TC kW	PI kW	TC kW	PI kW	TC kW	PI kW	TC kW	PI kW
1.5	-15.0	1.89	0.82	1.85	0.83	1.80	0.84	1.77	0.84	1.75	0.84	1.70	0.85
	-11.0	2.20	0.85	2.15	0.86	2.11	0.87	2.08	0.87	2.06	0.88	2.01	0.89
	-8.0	2.43	0.88	2.39	0.88	2.34	0.89	2.32	0.90	2.29	0.90	2.24	0.91
	-6.0	2.59	0.89	2.54	0.90	2.49	0.91	2.47	0.91	2.45	0.92	2.40	0.93
	-1.0	2.97	0.93	2.93	0.94	2.88	0.95	2.86	0.96	2.83	0.96	2.78	0.97
	1.0	3.13	0.95	3.08	0.96	3.03	0.97	3.01	0.97	2.99	0.98	2.94	0.99
	3.0	3.28	0.97	3.24	0.98	3.19	0.99	3.16	0.99	3.14	0.99	3.09	1.00
	6.0	3.51	0.99	3.47	1.00	3.42	1.01	3.40	1.01	3.37	1.02	3.33	1.03
	8.0	3.67	1.01	3.62	1.02	3.57	1.03	3.55	1.03	3.53	1.04	3.48	1.04
	10.0	3.82	1.03	3.78	1.03	3.73	1.04	3.71	1.05	3.68	1.05	3.63	1.06
	12.0	3.98	1.04	3.93	1.05	3.88	1.06	3.86	1.06	3.84	1.07	3.79	1.08
	15.0	4.21	1.07	4.16	1.08	4.12	1.08	4.09	1.09	4.07	1.09	4.02	1.10
	18.0	4.44	1.09	4.39	1.10	4.35	1.11	4.32	1.11	4.30	1.12	4.25	1.13
2.0	-15.0	2.05	0.91	2.00	0.92	1.95	0.93	1.92	0.93	1.89	0.94	1.84	0.95
	-11.0	2.38	0.94	2.33	0.95	2.28	0.96	2.25	0.97	2.23	0.97	2.18	0.98
	-8.0	2.63	0.97	2.58	0.98	2.53	0.99	2.50	1.00	2.48	1.00	2.43	1.01
	-6.0	2.80	0.99	2.75	1.00	2.70	1.01	2.67	1.01	2.65	1.02	2.60	1.03
	-1.0	3.22	1.04	3.17	1.05	3.12	1.06	3.09	1.06	3.06	1.07	3.01	1.08
	1.0	3.38	1.05	3.33	1.06	3.28	1.07	3.26	1.08	3.23	1.08	3.18	1.09
	3.0	3.55	1.07	3.50	1.08	3.45	1.09	3.42	1.10	3.40	1.10	3.35	1.11
	6.0	3.80	1.10	3.75	1.11	3.70	1.12	3.67	1.13	3.65	1.13	3.60	1.14
	8.0	3.97	1.12	3.92	1.13	3.87	1.14	3.84	1.14	3.82	1.15	3.76	1.16
	10.0	4.14	1.14	4.09	1.15	4.03	1.16	4.01	1.16	3.98	1.17	3.93	1.18
	12.0	4.30	1.16	4.25	1.17	4.20	1.18	4.18	1.18	4.15	1.19	4.10	1.20
	15.0	4.55	1.18	4.50	1.19	4.45	1.20	4.43	1.21	4.40	1.21	4.35	1.22
	18.0	4.80	1.21	4.75	1.22	4.70	1.23	4.68	1.24	4.65	1.24	4.60	1.25
2.5	-15.0	2.27	1.05	2.21	1.06	2.16	1.08	2.13	1.08	2.10	1.09	2.04	1.10
	-11.0	2.64	1.09	2.58	1.11	2.53	1.12	2.50	1.12	2.47	1.13	2.41	1.14
	-8.0	2.92	1.13	2.86	1.14	2.80	1.15	2.78	1.16	2.75	1.16	2.69	1.17
	-6.0	3.10	1.15	3.05	1.16	2.99	1.17	2.96	1.18	2.93	1.18	2.88	1.19
	-1.0	3.57	1.20	3.51	1.21	3.45	1.23	3.42	1.23	3.40	1.24	3.34	1.25
	1.0	3.75	1.22	3.69	1.23	3.64	1.25	3.61	1.25	3.58	1.26	3.52	1.27
	3.0	3.94	1.24	3.88	1.26	3.82	1.27	3.79	1.27	3.77	1.28	3.71	1.29
	6.0	4.21	1.28	4.16	1.29	4.10	1.30	4.07	1.31	4.04	1.31	3.99	1.32
	8.0	4.40	1.30	4.34	1.31	4.29	1.32	4.26	1.33	4.23	1.33	4.17	1.34
	10.0	4.58	1.32	4.53	1.33	4.47	1.34	4.44	1.35	4.41	1.35	4.36	1.37
	12.0	4.77	1.34	4.71	1.35	4.66	1.36	4.63	1.37	4.60	1.38	4.54	1.39
	15.0	5.05	1.37	4.99	1.38	4.93	1.40	4.91	1.40	4.88	1.41	4.82	1.42
	18.0	5.32	1.41	5.27	1.42	5.21	1.43	5.18	1.43	5.15	1.44	4.98	1.40

3D075205

**SYMBOLS - ABKÜRZUNGEN
ΣΥΜΒΟΛΑ - SIMBOLOS
SIMBOLES - SIMBOLI
VERKLARING - ОБОЗНАЧЕНИЯ
SEMBOLLER**

TC: Total capacity (kW)
PI: Power input (kW)

TC: Gesamtleistung (kW)
PI: Leistungsaufnahme (kW)

TC: Συνολική απόδοση (kW)
PI: Ισχύς εισόδου (kW)

TC: Capacidad total (kW)
PI: Potencia consumida (kW)

TC: Puissance totale (kW)
PI: Puissance absorbée (kW)

TC: Capacità totale (kW)
PI: Potenza assorbita (kW)

TC: Totale capaciteit (kW)
PI: Opgenomen vermogen (kW)

TC: Общая мощность (кВт)
PI: Входная мощность (кВт)

TC: Toplam kapasite (kW)
PI: Güç girişi (kW)

**NOTES - ANMERKUNGEN - ΣΗΜΕΙΩΣΕΙΣ - NOTAS - REMARQUES - NOTE
OPMERKINGEN - ПРИМЕЧАНИЯ - NOTLAR**

1 Capacities are based on the following conditions.
- Corresponding refrigerant piping length: 5m
- Level difference: 0m
Die Kapazität basiert auf den folgenden Bedingungen:
- Entsprechende Kältemittelrohrlänge: 5m
- Höhenunterschied: 0m
Οι αποδόσεις βασίζονται στις ακόλουθες συνθήκες:
- Αντιστοίχο μήκος σωληνώσεων ψυκτικού: 5m
- Υψομετρική διαφορά: 0m
Las capacidades se basan en las siguientes condiciones.
- Longitud de tubería de refrigerante equivalente: 5m
- Diferencia de nivel: 0m
Les puissances sont basées sur les conditions suivantes.
- Longueur de tuyauterie correspondante du réfrigérant: 5m
- Dérivation: 0m
Le capacità si basano sulle seguenti condizioni.
- Lunghezza equivalente delle tubazioni del refrigerante: 5m
- Dislivello: 0m
De capaciteit is gebaseerd op de volgende situatie.
- Overeenstemmende leidinglengte koelvloeistof: 5m
- Niveaunderschil: 0m
Данные мощности основаны на следующих условиях.
- Соответствующая длина трубы охлаждения: 5м
- Разность уровней - 0м
Kapasiteler aşağıdaki koşullara bağlıdır
- İlgili sözcüğe boru uzunluğu: 5m
- Seviye farkı: 0m

2 The bold line is indicated the standard condition.
Die dicke Linie kennzeichnet die Standardbedingung.
Η έντονη γραμμή υποδηλώνει την κανονική κατάσταση.
La línea en negra indica las condiciones estándar.

La ligne en gras indique un état standard.
La linea in grassetto indica la condizione standard.
De vette lijn duidt de standaardtoestand aan.
Жирная линия указывает стандартное условие.
Kalın çizgi standart koşul olarak belirtilmektedir.

3 The above is the value for connecting with the following indoor units. 1.5; 2.0; 2.5; 3.5kW class; wall mounted K series. 4.2; 5.0kW class; wall mounted J series.
Der obere Wert gilt für den Anschluss an die folgenden Innengeräte. Klasse 1.5; 2.0; 2.5; 3.5kW Wandgerät vom Typ K. Klasse 4.2; 5.0kW Wandgerät vom Typ J.
Η παραπάνω είναι τιμή για σύνδεση με τις παρακάτω εσωτερικές μονάδες. Κατηγορία 1.5; 2.0; 2.5; 3,5kW επίτοιχη σειρά K. Κατηγορία 4.2; 5,0kW επίτοιχη σειρά J.
El valor anterior es válido para la conexión con las unidades interiores siguientes. Clase 1.5; 2.0; 2.5; 3,5kW unidad de pared de la serie K. Clase 4.2; 5,0kW unidad de pared de la serie J.
La valeur ci-avant est la valeur pour la connexion aux unités intérieures suivantes. Série murale K, classe 1.5; 2.0; 2.5; 3,5kW. Série murale J, classe 4.2; 5,0kW. Il valore indicato in alto si riferisce al collegamento delle seguenti unità interne. Classe 1.5; 2.0; 2.5; 3,5kW serie a parete K. Classe 4.2; 5,0kW serie a parete J. Bovenstaande waarde is de waarde voor verbinding met de volgende binnenunits. Klasse 1.5; 2.0; 2.5; 3,5kW reeks K voor wandmontage. Klasse 4.2; 5,0kW reeks J voor wandmontage.
Значение выше является значением для подсоединения со следующими внутренними блоками. Класс 1.5; 2.0; 2.5; 3.5кВт настенный блок серии K. Класс 4.2; 5.0кВт настенный блок серии J.
Yukarıdaki değer aşağıdaki iç ünitelere bağlantı içindir. 1.5; 2.0; 2.5; 3.5kW sınıfı; duvar tipi K serisi. 4.2; 5.0kW sınıfı; duvar tipi J serisi.

5 Capacity tables

5 - 3 Heating Capacity Tables

2MXS50H Heating (50Hz 230V)

Combination (Capacity)	Outdoor air temp. °CWB	Indoor air temp. °CDB											
		16°C		18°C		20°C		21°C		22°C		24°C	
		TC kW	PI kW	TC kW	PI kW	TC kW	PI kW	TC kW	PI kW	TC kW	PI kW	TC kW	PI kW
3.5	-15.0	2.55	1.23	2.48	1.24	2.42	1.26	2.39	1.26	2.35	1.27	2.29	1.28
	-11.0	2.96	1.28	2.90	1.29	2.83	1.31	2.80	1.31	2.77	1.32	2.71	1.33
	-8.0	3.27	1.32	3.21	1.33	3.15	1.34	3.11	1.35	3.08	1.36	3.02	1.37
	-6.0	3.48	1.34	3.42	1.36	3.35	1.37	3.32	1.38	3.29	1.38	3.23	1.40
	-1.0	4.00	1.40	3.94	1.42	3.87	1.43	3.84	1.44	3.81	1.45	3.75	1.46
	1.0	4.21	1.43	4.14	1.44	4.08	1.46	4.05	1.46	4.02	1.47	3.95	1.48
	3.0	4.42	1.46	4.35	1.47	4.29	1.48	4.26	1.49	4.22	1.50	4.16	1.51
	6.0	4.73	1.49	4.66	1.51	4.60	1.52	4.57	1.53	4.54	1.53	4.47	1.55
	8.0	4.93	1.52	4.87	1.53	4.81	1.55	4.78	1.55	4.74	1.56	4.68	1.57
	10.0	5.14	1.54	5.08	1.56	5.02	1.57	4.98	1.58	4.95	1.58	4.89	1.60
	12.0	5.35	1.57	5.29	1.58	5.22	1.60	5.19	1.60	5.16	1.61	5.10	1.62
	15.0	5.66	1.61	5.60	1.62	5.53	1.63	5.50	1.64	5.47	1.65	5.38	1.65
18.0	5.97	1.64	5.91	1.66	5.85	1.67	5.81	1.68	5.72	1.65	5.38	1.54	
4.2	-15.0	2.82	1.40	2.75	1.42	2.68	1.43	2.65	1.44	2.61	1.45	2.54	1.46
	-11.0	3.28	1.46	3.21	1.47	3.14	1.49	3.11	1.50	3.07	1.50	3.00	1.52
	-8.0	3.63	1.50	3.56	1.51	3.49	1.53	3.45	1.54	3.42	1.55	3.35	1.56
	-6.0	3.86	1.53	3.79	1.54	3.72	1.56	3.68	1.57	3.65	1.57	3.58	1.59
	-1.0	4.43	1.60	4.36	1.61	4.29	1.63	4.26	1.64	4.22	1.65	4.15	1.66
	1.0	4.66	1.63	4.59	1.64	4.52	1.66	4.49	1.67	4.45	1.67	4.38	1.69
	3.0	4.90	1.66	4.82	1.67	4.75	1.69	4.72	1.70	4.68	1.70	4.61	1.72
	6.0	5.24	1.70	5.17	1.71	5.10	1.73	5.06	1.74	5.03	1.75	4.96	1.76
	8.0	5.47	1.73	5.40	1.74	5.33	1.76	5.30	1.77	5.26	1.77	5.19	1.79
	10.0	5.70	1.76	5.63	1.77	5.56	1.79	5.53	1.79	5.49	1.80	5.42	1.82
	12.0	5.93	1.78	5.86	1.80	5.79	1.82	5.76	1.82	5.72	1.83	5.65	1.85
	15.0	6.28	1.83	6.21	1.84	6.14	1.86	6.10	1.87	6.04	1.86	5.69	1.73
18.0	6.53	1.83	6.42	1.83	6.32	1.83	6.22	1.80	6.04	1.73	5.69	1.61	
5.0	-15.0	3.10	1.63	3.02	1.64	2.94	1.66	2.91	1.67	2.87	1.68	2.79	1.70
	-11.0	3.60	1.69	3.53	1.71	3.45	1.73	3.41	1.74	3.37	1.75	3.30	1.76
	-8.0	3.98	1.74	3.91	1.76	3.83	1.78	3.79	1.79	3.75	1.80	3.67	1.81
	-6.0	4.24	1.78	4.16	1.79	4.08	1.81	4.04	1.82	4.01	1.83	3.93	1.85
	-1.0	4.87	1.86	4.79	1.88	4.71	1.89	4.68	1.90	4.64	1.91	4.56	1.93
	1.0	5.12	1.89	5.04	1.91	4.97	1.93	4.93	1.94	4.89	1.95	4.81	1.96
	3.0	5.38	1.92	5.30	1.94	5.22	1.96	5.18	1.97	5.14	1.98	5.07	2.00
	6.0	5.75	1.97	5.68	1.99	5.60	2.01	5.56	2.02	5.52	2.03	5.45	2.05
	8.0	6.01	2.01	5.93	2.03	5.85	2.04	5.81	2.05	5.78	2.06	5.59	2.01
	10.0	6.26	2.04	6.18	2.06	6.11	2.08	6.07	2.09	5.94	2.04	5.59	1.89
	12.0	6.51	2.07	6.44	2.09	6.29	2.07	6.11	1.99	5.94	1.92	5.59	1.79
	15.0	6.89	2.12	6.64	2.04	6.29	1.91	6.11	1.84	5.94	1.78	5.59	1.65
18.0	6.48	1.83	6.38	1.83	6.29	1.77	6.11	1.71	5.94	1.66	5.59	1.54	

3D075205

5

SYMBOLS - ABKÜRZUNGEN ΣΥΜΒΟΛΑ - SIMBOLOS SIMBOLES - SIMBOLI VERKLARING - ОБОЗНАЧЕНИЯ SEMBOLER

TC: Total capacity (kW)
PI: Power input (kW)

TC: Gesamtleistung (kW)
PI: Leistungsaufnahme (kW)

TC: Συνολική απόδοση (kW)
PI: Ίσχύς εισόδου (kW)

TC: Capacidad total (kW)
PI: Potencia consumida (kW)

TC: Puissance totale (kW)
PI: Puissance absorbée (kW)

TC: Capacità totale (kW)
PI: Potenza assorbita (kW)

TC: Totale capaciteit (kW)
PI: Opgenomen vermogen (kW)

TC: Общая мощность (кВт)
PI: Входная мощность (кВт)

TC: Toplam kapasite (kW)
PI: Güç girişi (kW)

NOTES - ANMERKUNGEN - ΣΗΜΕΙΩΣΕΙΣ - NOTAS - REMARQUES - NOTE OPMERKINGEN - ПРИМЕЧАНИЯ - NOTLAR

1 Capacities are based on the following conditions.
- Corresponding refrigerant piping length: 5m
- Level difference: 0m
Die Kapazität basiert auf den folgenden Bedingungen:
- Entsprechende Kältemittelrohrlänge: 5m
- Höhenunterschied: 0m
Οι αποδόσεις βασίζονται στις ακόλουθες συνθήκες:
- Ανεξάρτητο μήκος σωληνώσεων ψυκτικού: 5m
- Υψομετρική διαφορά :0m
Las capacidades se basan en las siguientes condiciones.
- Longitud de tubería de refrigerante equivalente: 5 m
- Diferencia de nivel: 0m
Les puissances sont basées sur les conditions suivantes.
- Longueur de tuyauterie correspondante du réfrigérant: 5 m
- Dénivellement: 0m
Le capacità si basano sulle seguenti condizioni.
- Lunghezza equivalente delle tubazioni del refrigerante: 5m
- Dislivello: 0m
De capaciteit is gebaseerd op de volgende situatie.
- Ooreenstemmende leidinglengte koelvoelstof: 5m
- Niveaunderschil: 0m
Данные мощности основаны на следующих условиях.
- Соответствующая длина трубы охлаждения: 5м
- Разность уровней - 0м
Kapasiteleri aşağıdaki koşullara bağlıdır
- İlgili soğutucu boru uzunluğu: 5m
- Seviye farkı: 0m

2 The bold line is indicated the standard condition.
Die dicke Linie kennzeichnet die Standardbedingung.
Η έντονη γραμμή υποδηλώνει την κανονική κατάσταση.
La línea en negrita indica las condiciones estándar.

La ligne en gras indique un état standard.
La línea en grassetto indica la condizione standard.
De vette lijn duidt de standaardtoestand aan.
Жирная линия указывает стандартное условие.
Kalın çizgi standart koşul olarak belirtilmektedir.

3 The above is the value for connecting with the following indoor units. 1.5; 2.0; 2.5; 3.5kW class; wall mounted K series. 4.2; 5.0kW class; wall mounted J series.
Der obige Wert gilt für den Anschluss an die folgenden Innengeräte. Klasse 1,5; 2,0; 2,5; 3,5kW Wandgerät vom Typ K. Klasse 4,2; 5,0kW Wandgerät vom Typ J.
Η παραπάνω είναι τιμή για σύνδεση με τις παρακάτω εσωτερικές μονάδες. Κατηγορία 1,5; 2,0; 2,5; 3,5kW επιτοίχιο σειρά K. Κατηγορία 4,2; 5,0kW επιτοίχιο σειρά J.
El valor anterior es válido para la conexión con las unidades interiores siguientes. Clase 1,5; 2,0; 2,5; 3,5kW unidad de pared de la serie K. Clase 4,2; 5,0kW unidad de pared de la serie J.
La valeur ci-avant est la valeur pour la connexion aux unités intérieures suivantes. Série murale K, classe 1,5; 2,0; 2,5; 3,5kW. Série murale J, classe 4,2; 5,0kW.
Il valore indicato in alto si riferisce al collegamento delle seguenti unità interne. Classe 1,5; 2,0; 2,5; 3,5kW serie a parete K. Classe 4,2; 5,0kW serie a parete J. Bovenstaande waarde is de waarde voor verbinding met de volgende binnenunits. Klasse 1,5; 2,0; 2,5; 3,5kW reeks K voor wandmontage. Klasse 4,2; 5,0kW reeks J voor wandmontage.
Значение выше является значением для подсоединения со следующими внутренними блоками. Класс 1,5; 2,0; 2,5; 3,5кВт настенный блок серии K. Класс 4,2; 5,0кВт настенный блок серии J.
Yukarıdaki değer aşağıdaki iç ünitelerle bağlantı içindir. 1,5; 2,0; 2,5; 3,5kW smif; duvar tipi K serisi. 4,2; 5,0kW smif; duvar tipi J serisi.

5 Capacity tables

5 - 3 Heating Capacity Tables

2MXS50H

Heating (50Hz 230V)

Combination (Capacity)	Outdoor air temp. °CWB	Indoor air temp. °CDB											
		16°C		18°C		20°C		21°C		22°C		24°C	
		TC kW	PI kW	TC kW	PI kW	TC kW	PI kW	TC kW	PI kW	TC kW	PI kW	TC kW	PI kW
1.5+1.5	-15.0	2.51	0.97	2.45	0.98	2.39	0.99	2.36	1.00	2.32	1.00	2.26	1.01
	-11.0	2.92	1.01	2.86	1.02	2.80	1.03	2.77	1.04	2.73	1.04	2.67	1.05
	-8.0	3.23	1.04	3.17	1.05	3.10	1.06	3.07	1.07	3.04	1.07	2.98	1.08
	-6.0	3.44	1.06	3.37	1.07	3.31	1.08	3.28	1.09	3.25	1.09	3.18	1.10
	-1.0	3.95	1.11	3.88	1.12	3.82	1.13	3.79	1.14	3.76	1.14	3.70	1.15
	1.0	4.15	1.13	4.09	1.14	4.03	1.15	4.00	1.16	3.96	1.16	3.90	1.17
	3.0	4.36	1.15	4.30	1.16	4.23	1.17	4.20	1.18	4.17	1.18	4.11	1.19
	6.0	4.67	1.18	4.60	1.19	4.54	1.20	4.51	1.21	4.48	1.21	4.41	1.22
	8.0	4.87	1.20	4.81	1.21	4.75	1.22	4.71	1.23	4.68	1.23	4.62	1.24
	10.0	5.08	1.22	5.01	1.23	4.95	1.24	4.92	1.24	4.89	1.25	4.82	1.26
	12.0	5.28	1.24	5.22	1.25	5.16	1.26	5.12	1.26	5.09	1.27	5.03	1.28
	15.0	5.59	1.27	5.53	1.28	5.46	1.29	5.43	1.29	5.40	1.30	5.34	1.31
	18.0	5.90	1.30	5.83	1.31	5.77	1.32	5.74	1.32	5.71	1.33	5.64	1.34
1.5+2.0	-15.0	2.71	1.04	2.64	1.06	2.57	1.07	2.54	1.07	2.50	1.08	2.44	1.09
	-11.0	3.15	1.09	3.08	1.10	3.01	1.11	2.98	1.12	2.95	1.12	2.88	1.13
	-8.0	3.48	1.12	3.41	1.13	3.34	1.14	3.31	1.15	3.28	1.15	3.21	1.16
	-6.0	3.70	1.14	3.63	1.15	3.56	1.16	3.53	1.17	3.50	1.17	3.43	1.19
	-1.0	4.25	1.19	4.18	1.20	4.12	1.22	4.08	1.22	4.05	1.23	3.98	1.24
	1.0	4.47	1.21	4.41	1.23	4.34	1.24	4.30	1.24	4.27	1.25	4.20	1.26
	3.0	4.69	1.23	4.63	1.25	4.56	1.26	4.52	1.26	4.49	1.27	4.42	1.28
	6.0	5.03	1.27	4.96	1.28	4.89	1.29	4.86	1.30	4.82	1.30	4.75	1.31
	8.0	5.25	1.29	5.18	1.30	5.11	1.31	5.08	1.32	5.04	1.32	4.98	1.33
	10.0	5.47	1.31	5.40	1.32	5.33	1.33	5.30	1.34	5.26	1.34	5.20	1.36
	12.0	5.69	1.33	5.62	1.34	5.55	1.35	5.52	1.36	5.49	1.37	5.42	1.38
	15.0	6.02	1.36	5.95	1.37	5.88	1.39	5.85	1.39	5.82	1.40	5.75	1.41
	18.0	6.35	1.39	6.28	1.41	6.22	1.42	6.18	1.42	6.15	1.43	6.08	1.44
1.5+2.5	-15.0	2.87	1.12	2.80	1.14	2.73	1.15	2.69	1.16	2.66	1.16	2.59	1.17
	-11.0	3.34	1.17	3.27	1.18	3.20	1.20	3.16	1.20	3.13	1.21	3.05	1.22
	-8.0	3.69	1.20	3.62	1.22	3.55	1.23	3.51	1.24	3.48	1.24	3.41	1.25
	-6.0	3.93	1.23	3.86	1.24	3.78	1.25	3.75	1.26	3.71	1.27	3.64	1.28
	-1.0	4.51	1.28	4.44	1.30	4.37	1.31	4.33	1.32	4.30	1.32	4.23	1.33
	1.0	4.75	1.31	4.68	1.32	4.60	1.33	4.57	1.34	4.53	1.35	4.46	1.36
	3.0	4.98	1.33	4.91	1.34	4.84	1.36	4.80	1.36	4.77	1.37	4.70	1.38
	6.0	5.33	1.36	5.26	1.38	5.19	1.39	5.15	1.40	5.12	1.40	5.05	1.42
	8.0	5.57	1.39	5.50	1.40	5.42	1.41	5.39	1.42	5.35	1.43	5.28	1.44
	10.0	5.80	1.41	5.73	1.42	5.66	1.44	5.62	1.44	5.59	1.45	5.52	1.46
	12.0	6.04	1.43	5.96	1.45	5.89	1.46	5.86	1.46	5.82	1.47	5.75	1.48
	15.0	6.39	1.47	6.32	1.48	6.24	1.49	6.21	1.50	6.17	1.51	6.10	1.52
	18.0	6.74	1.50	6.67	1.51	6.60	1.53	6.56	1.53	6.52	1.54	6.45	1.55

3D075206

SYMBOLS - ABKÜRZUNGEN ΣΥΜΒΟΛΑ - SIMBOLOS SIMBOLE - SIMBOLI VERKLARING - ОБЪЯСНЕНИЯ SEMBOLER

TC: Total capacity (kW)
PI: Power input (kW)

TC: Gesamtleistung (kW)
PI: Leistungsaufnahme (kW)

TC: Συνολική απόδοση (kW)
PI: Ισχύς εισόδου (kW)

TC: Capacidad total (kW)
PI: Potencia consumida (kW)

TC: Puissance totale (kW)
PI: Puissance absorbée (kW)

TC: Capacità totale (kW)
PI: Potenza assorbita (kW)

TC: Totale capaciteit (kW)
PI: Opgenomen vermogen (kW)

TC: Общая мощность (кВт)
PI: Входная мощность (кВт)

TC: Toplam kapasite (kW)
PI: Güç girişi (kW)

NOTES - ANMERKUNGEN - ΣΗΜΕΙΩΣΕΙΣ - NOTAS - REMARQUES - NOTE OPMERKINGEN - ПРИМЕЧАНИЯ - NOTLAR

1 Capacities are based on the following conditions.
- Corresponding refrigerant piping length: 5m
- Level difference: 0m
Die Kapazität basiert auf den folgenden Bedingungen:
- Entsprechende Kältemittelrohrlänge: 5m
- Höhenunterschied: 0m
Οι αποδόσεις βασίζονται στις ακόλουθες συνθήκες:
- Αντιστοίχο μήκος σωληνώσεων ψυκτικού: 5m
- Ύψομετρική διαφορά: 0m
Las capacidades se basan en las siguientes condiciones.
- Longitud de tubería de refrigerante equivalente: 5m
- Diferencia de nivel: 0m
Les puissances sont basées sur les conditions suivantes.
- Longueur de tuyauterie correspondante du réfrigérant: 5m
- Dérivation: 0m
Le capacità si basano sulle seguenti condizioni.
- Lunghezza equivalente delle tubazioni del refrigerante: 5m
- Dislivello: 0m
De capaciteit is gebaseerd op de volgende situatie.
- Overeenstemmende leidinglengte koelvloeistof: 5m
- Niveaunderschil: 0m
Данные мощности основаны на следующих условиях.
- Соответствующая длина трубы охлаждения: 5м
- Разность уровней - 0м
Kapasiteler aşağıdaki koşullara bağlıdır
- İlgili soğutucu boru uzunluğu: 5m
- Seviye farkı: 0m

2 The bold line is indicated the standard condition.
Die dicke Linie kennzeichnet die Standardbedingung.
Η έντονη γραμμή υποδηλώνει την κανονική κατάσταση.
La línea en negra indica las condiciones estándar.

La ligne en gras indique un état standard.
La linea in grassetto indica la condizione standard.
De vette lijn duidt de standaardtoestand aan.
Жирная линия указывает стандартное условие.
Kalın çizgi standart koşullu olarak belirtilmektedir.

3 The above is the value for connecting with the following indoor units. 1.5; 2.0; 2.5; 3.5kW class; wall mounted K series. 4.2; 5.0kW class; wall mounted J series.
Der obige Wert gilt für den Anschluss an die folgenden Innengeräte. Klasse 1.5; 2.0; 2.5; 3.5kW Wandgerät vom Typ K. Klasse 4.2; 5.0kW Wandgerät vom Typ J.
Η παραπάνω είναι τιμή για σύνδεση με τις παρακάτω εσωτερικές μονάδες. Κατηγορία 1.5; 2.0; 2.5; 3.5kW επίτοιχη σειρά K. Κατηγορία 4.2; 5.0kW επίτοιχη σειρά J.
El valor anterior es válido para la conexión con las unidades interiores siguientes. Clase 1.5; 2.0; 2.5; 3.5kW unidad de pared de la serie K. Clase 4.2; 5.0kW unidad de pared de la serie J.
La valeur ci-avant est la valeur pour la connexion aux unités intérieures suivantes. Série murale K, classe 1.5; 2.0; 2.5; 3.5kW. Série murale J, classe 4.2; 5.0kW.
Il valore indicato in alto si riferisce al collegamento delle seguenti unità interne. Classe 1.5; 2.0; 2.5; 3.5kW serie a parete K. Classe 4.2; 5.0kW serie a parete J.
Bovenstaande waarde is de waarde voor verbinding met de volgende binnenunits. Klasse 1.5; 2.0; 2.5; 3.5kW reeks K voor wandmontage. Klasse 4.2; 5.0kW reeks J voor wandmontage.
Значение выше является значением для подсоединения со следующими внутренними блоками. Класс 1.5; 2.0; 2.5; 3.5кВт настенный блок серии K. Класс 4.2; 5.0кВт настенный блок серии J.
Yukarıdaki değer aşağıdaki iç ünitelerle bağlantı içindir. 1.5; 2.0; 2.5; 3.5kW sınıfı; duvar tipi K serisi. 4.2; 5.0kW sınıfı; duvar tipi J serisi.

5 Capacity tables

5 - 3 Heating Capacity Tables

2MXS50H Heating (50Hz 230V)

Combination (Capacity)	Outdoor air temp. °CWB	Indoor air temp. °CDB											
		16°C		18°C		20°C		21°C		22°C		24°C	
		TC kW	PI kW	TC kW	PI kW	TC kW	PI kW	TC kW	PI kW	TC kW	PI kW	TC kW	PI kW
1.5+3.5	-15.0	3.15	1.29	3.08	1.31	3.00	1.32	2.96	1.33	2.92	1.34	2.84	1.35
	-11.0	3.67	1.35	3.59	1.36	3.51	1.38	3.47	1.38	3.43	1.39	3.35	1.40
	-8.0	4.06	1.39	3.98	1.40	3.90	1.42	3.86	1.42	3.82	1.43	3.74	1.44
	-6.0	4.31	1.41	4.23	1.43	4.16	1.44	4.12	1.45	4.08	1.46	4.00	1.47
	1.0	4.96	1.48	4.88	1.49	4.80	1.51	4.76	1.51	4.72	1.52	4.64	1.54
	1.0	5.21	1.51	5.14	1.52	5.06	1.53	5.02	1.54	4.98	1.55	4.90	1.56
	3.0	5.47	1.53	5.39	1.55	5.31	1.56	5.27	1.57	5.24	1.57	5.16	1.59
	6.0	5.86	1.57	5.78	1.59	5.70	1.60	5.66	1.61	5.62	1.61	5.54	1.63
	8.0	6.11	1.60	6.04	1.61	5.96	1.63	5.92	1.63	5.88	1.64	5.80	1.66
	10.0	6.37	1.62	6.29	1.64	6.21	1.65	6.18	1.66	6.14	1.67	6.06	1.68
	12.0	6.63	1.65	6.55	1.66	6.47	1.68	6.43	1.69	6.39	1.69	6.31	1.71
	15.0	7.02	1.69	6.94	1.70	6.86	1.72	6.82	1.73	6.78	1.73	6.70	1.75
18.0	7.40	1.73	7.32	1.74	7.24	1.76	7.21	1.77	7.17	1.77	7.09	1.79	
1.5+4.2	-15.0	3.30	1.24	3.22	1.25	3.13	1.27	3.09	1.27	3.05	1.28	2.97	1.29
	-11.0	3.84	1.29	3.75	1.30	3.67	1.32	3.63	1.32	3.59	1.33	3.51	1.34
	-8.0	4.24	1.33	4.16	1.34	4.08	1.35	4.03	1.36	3.99	1.37	3.91	1.38
	-6.0	4.51	1.35	4.43	1.37	4.34	1.38	4.30	1.39	4.26	1.39	4.18	1.41
	-1.0	5.18	1.41	5.10	1.43	5.02	1.44	4.98	1.45	4.94	1.46	4.85	1.47
	1.0	5.45	1.44	5.37	1.45	5.29	1.47	5.25	1.47	5.20	1.48	5.12	1.49
	3.0	5.72	1.46	5.64	1.48	5.56	1.49	5.52	1.50	5.47	1.51	5.39	1.52
	6.0	6.12	1.50	6.04	1.52	5.96	1.53	5.92	1.54	5.88	1.54	5.80	1.56
	8.0	6.39	1.53	6.31	1.54	6.23	1.56	6.19	1.56	6.15	1.57	6.06	1.58
	10.0	6.66	1.55	6.58	1.57	6.50	1.58	6.46	1.59	6.42	1.59	6.33	1.61
	12.0	6.93	1.58	6.85	1.59	6.77	1.61	6.73	1.61	6.69	1.62	6.60	1.63
	15.0	7.34	1.62	7.25	1.63	7.17	1.64	7.13	1.65	7.09	1.66	7.01	1.67
18.0	7.74	1.65	7.66	1.67	7.58	1.68	7.53	1.69	7.49	1.69	7.41	1.71	
1.5+5.0	-15.0	3.41	1.31	3.32	1.33	3.24	1.34	3.20	1.35	3.15	1.35	3.07	1.37
	-11.0	3.97	1.36	3.88	1.38	3.80	1.39	3.75	1.40	3.71	1.41	3.62	1.42
	-8.0	4.38	1.40	4.30	1.42	4.21	1.43	4.17	1.44	4.13	1.45	4.04	1.46
	-6.0	4.66	1.43	4.58	1.45	4.49	1.46	4.45	1.47	4.41	1.47	4.32	1.49
	-1.0	5.36	1.50	5.27	1.51	5.19	1.53	5.14	1.53	5.10	1.54	5.02	1.56
	1.0	5.63	1.52	5.55	1.54	5.46	1.55	5.42	1.56	5.38	1.57	5.29	1.58
	3.0	5.91	1.55	5.83	1.57	5.74	1.58	5.70	1.59	5.66	1.59	5.57	1.61
	6.0	6.33	1.59	6.25	1.61	6.16	1.62	6.12	1.63	6.07	1.63	5.99	1.65
	8.0	6.61	1.62	6.52	1.63	6.44	1.65	6.40	1.65	6.35	1.66	6.27	1.68
	10.0	6.89	1.64	6.80	1.66	6.72	1.67	6.67	1.68	6.63	1.69	6.55	1.70
	12.0	7.16	1.67	7.08	1.69	6.99	1.70	6.95	1.71	6.91	1.71	6.82	1.73
	15.0	7.58	1.71	7.50	1.73	7.41	1.74	7.37	1.75	7.33	1.75	7.24	1.77
18.0	8.00	1.75	7.91	1.77	7.83	1.78	7.79	1.79	7.74	1.79	7.66	1.81	

3D075206

SYMBOLS - ABKÜRZUNGEN ΣΥΜΒΟΛΑ - SIMBOLOS SIMBOLES - SIMBOLOS VERKLARING - ОБОЗНАЧЕНИЯ SEMBOLLER

TC: Total capacity (kW)
PI: Power input (kW)

TC: Gesamtleistung (kW)
PI: Leistungsaufnahme (kW)

TC: Συνολική απόδοση (kW)
PI: Ισχύς εισόδου (kW)

TC: Capacidad total (kW)
PI: Potencia consumida (kW)

TC: Puissance totale (kW)
PI: Puissance absorbée (kW)

TC: Capacità totale (kW)
PI: Potenza assorbita (kW)

TC: Totale capaciteit (kW)
PI: Opgenomen vermogen (kW)

TC: Общая мощность (кВт)
PI: Входная мощность (кВт)

TC: Toplam kapasite (kW)
PI: Güç girişi (kW)

NOTES - ANMERKUNGEN - ΣΗΜΕΙΩΣΕΙΣ - NOTAS - REMARQUES - NOTE OPMERKINGEN - ПРИМЕЧАНИЯ - NOTLAR

1 Capacities are based on the following conditions.
- Corresponding refrigerant piping length: 5m
- Level difference: 0m
Die Kapazität basiert auf den folgenden Bedingungen:
- Entsprechende Kältemittelrohrlänge: 5m
- Höhenunterschied: 0m
Οι αποδόσεις βασίζονται στις ακόλουθες συνθήκες:
- Αντιστοίχο μήκος αγωγών ψυκτικού: 5m
- Υψομετρική διαφορά: 0m
Las capacidades se basan en las siguientes condiciones.
- Longitud de tubería de refrigerante equivalente: 5m
- Diferencia de nivel: 0m
Les puissances sont basées sur les conditions suivantes.
- Longueur de tuyauterie correspondante du réfrigérant: 5m
- Dénivellement: 0m
Le capacità si basano sulle seguenti condizioni.
- Lunghezza equivalente delle tubazioni del refrigerante: 5m
- Dislivello: 0m
De capaciteit is gebaseerd op de volgende situatie.
- Ooreenstemmende leidinglengte koelvoelstof: 5m
- Niveaunderschil: 0m
Данные мощности основаны на следующих условиях.
- Соответствующая длина трубы охлаждения: 5m
- Разность уровней: 0m
Kapasiteiler aşağıdaki koşullara bağlıdır
- İlgili soğutucu boru uzunluğu: 5m
- Seviye farkı: 0m

2 The bold line **□** is indicated the standard condition.
Die dicke Linie **□** kennzeichnet die Standardbedingung.
Η έντονη γραμμή **□** υποδηλώνει την κανονική κατάσταση.
La línea en negrita **□** indica las condiciones estándar.

La ligne en gras **□** indique un état standard.
La linea in grassetto **□** indica la condizione standard.
De vette lijn **□** duidt de standaardtoestand aan.
Жирная линия **□** указывает стандартное условие.
Kalın çizgi **□** standart koşullu olarak belirtilmektedir.

3 The above is the value for connecting with the following indoor units. 1.5; 2.0; 2.5; 3.5kW class; wall mounted K series. 4.2; 5.0kW class; wall mounted J series.
Der obige Wert gilt für den Anschluss an die folgenden Innengeräte. Klasse 1,5; 2,0; 2,5; 3,5kW Wandgerät vom Typ K. Klasse 4,2; 5,0kW Wandgerät vom Typ J.
Η παραπάνω είναι τιμή για σύνδεση με τις παρακάτω εσωτερικές μονάδες. Κατηγορία 1,5; 2,0; 2,5; 3,5kW επιτοίχιο σειρά K. Κατηγορία 4,2; 5,0kW επιτοίχιο σειρά J.
El valor anterior es válido para la conexión con las unidades interiores siguientes. Clase 1,5; 2,0; 2,5; 3,5kW unidad de pared de la serie K. Clase 4,2; 5,0kW unidad de pared de la serie J.
La valeur ci-avant est la valeur pour la connexion aux unités intérieures suivantes. Série murale K, classe 1,5; 2,0; 2,5; 3,5kW. Série murale J, classe 4,2; 5,0kW.
Il valore indicato in alto si riferisce al collegamento delle seguenti unità interne. Classe 1,5; 2,0; 2,5; 3,5kW serie a parete K. Classe 4,2; 5,0kW serie a parete J. Bovenstaande waarde is de waarde voor verbinding met de volgende binnenunits. Klasse 1,5; 2,0; 2,5; 3,5kW reeks K voor wandmontage. Klasse 4,2; 5,0kW reeks J voor wandmontage.
Значение выше является значением для подсоединения со следующими внутренними блоками. Класс 1,5; 2,0; 2,5; 3,5кВт настенный блок серии K. Класс 4,2; 5,0кВт настенный блок серии J.
Yukarıdaki değer aşağıdaki iç ünitelerle bağlantı içindir. 1,5; 2,0; 2,5; 3,5kW sınıfı; duvar tipi K serisi. 4,2; 5,0kW sınıfı; duvar tipi J serisi.

5 Capacity tables

5 - 3 Heating Capacity Tables

2MXS50H

Heating (50Hz 230V)

Combination (Capacity)	Outdoor air temp. °CWB	Indoor air temp. °CDB											
		16°C		18°C		20°C		21°C		22°C		24°C	
		TC kW	PI kW	TC kW	PI kW	TC kW	PI kW	TC kW	PI kW	TC kW	PI kW	TC kW	PI kW
2.0+2.0	-15.0	3.15	1.22	3.08	1.24	3.00	1.25	2.96	1.26	2.92	1.26	2.84	1.28
	-11.0	3.67	1.27	3.59	1.28	3.51	1.30	3.47	1.31	3.43	1.31	3.35	1.33
	-8.0	4.06	1.31	3.98	1.32	3.90	1.34	3.86	1.34	3.82	1.35	3.74	1.36
	-6.0	4.31	1.33	4.23	1.35	4.16	1.36	4.12	1.37	4.08	1.37	4.00	1.39
	-1.0	4.96	1.40	4.88	1.41	4.80	1.42	4.76	1.43	4.72	1.44	4.64	1.45
	1.0	5.21	1.42	5.14	1.43	5.06	1.45	5.02	1.45	4.98	1.46	4.90	1.48
	3.0	5.47	1.45	5.39	1.46	5.31	1.47	5.27	1.48	5.24	1.49	5.16	1.50
	6.0	5.86	1.48	5.78	1.50	5.70	1.51	5.66	1.52	5.62	1.52	5.54	1.54
	8.0	6.11	1.51	6.04	1.52	5.96	1.53	5.92	1.54	5.88	1.55	5.80	1.56
	10.0	6.37	1.53	6.29	1.55	6.21	1.56	6.18	1.57	6.14	1.57	6.06	1.59
	12.0	6.63	1.56	6.55	1.57	6.47	1.58	6.43	1.59	6.39	1.60	6.31	1.61
	15.0	7.02	1.59	6.94	1.61	6.86	1.62	6.82	1.63	6.78	1.64	6.70	1.65
	18.0	7.40	1.63	7.32	1.65	7.24	1.66	7.21	1.67	7.17	1.67	7.09	1.69
2.0+2.5	-15.0	3.21	1.23	3.13	1.24	3.05	1.26	3.01	1.26	2.97	1.27	2.89	1.28
	-11.0	3.73	1.28	3.65	1.29	3.57	1.31	3.53	1.31	3.49	1.32	3.41	1.33
	-8.0	4.13	1.32	4.05	1.33	3.97	1.34	3.93	1.35	3.89	1.36	3.81	1.37
	-6.0	4.39	1.34	4.31	1.36	4.23	1.37	4.19	1.38	4.15	1.38	4.07	1.40
	-1.0	5.04	1.40	4.96	1.42	4.88	1.43	4.84	1.44	4.80	1.45	4.72	1.46
	1.0	5.31	1.43	5.23	1.44	5.15	1.46	5.11	1.46	5.06	1.47	4.98	1.48
	3.0	5.57	1.46	5.49	1.47	5.41	1.48	5.37	1.49	5.33	1.50	5.25	1.51
	6.0	5.96	1.49	5.88	1.51	5.80	1.52	5.76	1.53	5.72	1.53	5.64	1.55
	8.0	6.22	1.52	6.14	1.53	6.06	1.55	6.02	1.55	5.98	1.56	5.90	1.57
	10.0	6.48	1.54	6.40	1.56	6.32	1.57	6.28	1.58	6.24	1.58	6.16	1.60
	12.0	6.75	1.57	6.67	1.58	6.59	1.60	6.55	1.60	6.51	1.61	6.43	1.62
	15.0	7.14	1.61	7.06	1.62	6.98	1.63	6.94	1.64	6.90	1.65	6.82	1.66
	18.0	7.53	1.64	7.45	1.66	7.37	1.67	7.33	1.68	7.29	1.68	7.21	1.70
2.0+3.5	-15.0	3.26	1.25	3.18	1.27	3.10	1.28	3.06	1.29	3.02	1.30	2.94	1.31
	-11.0	3.80	1.31	3.72	1.32	3.63	1.33	3.59	1.34	3.55	1.35	3.47	1.36
	-8.0	4.20	1.34	4.12	1.36	4.03	1.37	3.99	1.38	3.95	1.39	3.87	1.40
	-6.0	4.46	1.37	4.38	1.38	4.30	1.40	4.26	1.40	4.22	1.41	4.14	1.42
	-1.0	5.13	1.43	5.05	1.45	4.97	1.46	4.93	1.47	4.89	1.47	4.80	1.49
	1.0	5.40	1.46	5.32	1.47	5.23	1.49	5.19	1.49	5.15	1.50	5.07	1.51
	3.0	5.66	1.48	5.58	1.50	5.50	1.51	5.46	1.52	5.42	1.53	5.34	1.54
	6.0	6.06	1.52	5.98	1.54	5.90	1.55	5.86	1.56	5.82	1.56	5.74	1.58
	8.0	6.33	1.55	6.25	1.56	6.17	1.58	6.13	1.58	6.09	1.59	6.00	1.60
	10.0	6.60	1.57	6.51	1.59	6.43	1.60	6.39	1.61	6.35	1.62	6.27	1.63
	12.0	6.86	1.60	6.78	1.61	6.70	1.63	6.66	1.63	6.62	1.64	6.54	1.65
	15.0	7.26	1.64	7.18	1.65	7.10	1.66	7.06	1.67	7.02	1.68	6.94	1.69
	18.0	7.66	1.68	7.58	1.69	7.50	1.70	7.46	1.71	7.42	1.72	7.34	1.73

3D075207

SYMBOLS - ABKÜRZUNGEN ΣΥΜΒΟΛΑ - SIMBOLOS SIMBOLE - SIMBOLI VERKLARING - ОБЪЯСНЕНИЯ SEMBOLER

TC: Total capacity (kW)
PI: Power input (kW)

TC: Gesamtleistung (kW)
PI: Leistungsaufnahme (kW)

TC: Συνολική απόδοση (kW)
PI: Ισχύς εισόδου (kW)

TC: Capacidad total (kW)
PI: Potencia consumida (kW)

TC: Puissance totale (kW)
PI: Puissance absorbée (kW)

TC: Capacità totale (kW)
PI: Potenza assorbita (kW)

TC: Totale capaciteit (kW)
PI: Opgenomen vermogen (kW)

TC: Общая мощность (кВт)
PI: Входная мощность (кВт)

TC: Toplam kapasite (kW)
PI: Güç girişi (kW)

NOTES - ANMERKUNGEN - ΣΗΜΕΙΩΣΕΙΣ - NOTAS - REMARQUES - NOTE OPMERKINGEN - ПРИМЕЧАНИЯ - NOTLAR

1 Capacities are based on the following conditions.
- Corresponding refrigerant piping length: 5m
- Level difference: 0m
Die Kapazität basiert auf den folgenden Bedingungen:
- Entsprechende Kältemittelrohrlänge: 5m
- Höhenunterschied: 0m
Οι αποδόσεις βασίζονται στις ακόλουθες συνθήκες:
- Αντιστοίχο μήκος σωληνώσεων ψυκτικού: 5m
- Υψομετρική διαφορά: 0m
Las capacidades se basan en las siguientes condiciones.
- Longitud de tubería de refrigerante equivalente: 5m
- Diferencia de nivel: 0m
Les puissances sont basées sur les conditions suivantes.
- Longueur de tuyauterie correspondante du réfrigérant: 5m
- Dénivellement: 0m
Le capacità si basano sulle seguenti condizioni.
- Lunghezza equivalente delle tubazioni del refrigerante: 5m
- Dislivello: 0m
De capaciteit is gebaseerd op de volgende situatie.
- Overeenstemmende leidinglengte koelvloeistof: 5m
- Niveaunderschil: 0m
Данные мощности основаны на следующих условиях.
- Соответствующая длина трубы охлаждения: 5м
- Разность уровней - 0м
Kapasiteler aşağıdaki koşullara bağlıdır
- İlgili soğutucu boru uzunluğu: 5m
- Seviye farkı: 0m

2 The bold line is indicated the standard condition.
Die dicke Linie kennzeichnet die Standardbedingung.
Η έντονη γραμμή υποδηλώνει την κανονική κατάσταση.
La línea en negrita indica las condiciones estándar.

La ligne en gras indique un état standard.
La linea in grassetto indica la condizione standard.
De vette lijn duidt de standaardtoestand aan.
Жирная линия указывает стандартное условие.
Kalın çizgi standart koşul olarak belirtilmektedir.

3 The above is the value for connecting with the following indoor units. 1.5; 2.0; 2.5; 3.5kW class; wall mounted K series. 4.2; 5.0kW class; wall mounted J series.
Der obige Wert gilt für den Anschluss an die folgenden Innengeräte. Klasse 1.5; 2.0; 2.5; 3.5kW Wandgerät vom Typ K. Klasse 4.2; 5.0kW Wandgerät vom Typ J.
Η παραπάνω είναι τιμή για σύνδεση με τις παρακάτω εσωτερικές μονάδες. Κατηγορία 1.5; 2.0; 2.5; 3,5kW επίτοιχη σειρά K. Κατηγορία 4.2; 5,0kW επίτοιχη σειρά J.
El valor anterior es válido para la conexión con las unidades interiores siguientes. Clase 1.5; 2.0; 2.5; 3,5kW unidad de pared de la serie K. Clase 4.2; 5,0kW unidad de pared de la serie J.
La valeur ci-avant est la valeur pour la connexion aux unités intérieures suivantes. Série murale K, classe 1.5; 2.0; 2.5; 3,5kW. Série murale J, classe 4.2; 5,0kW.
Il valore indicato in alto si riferisce al collegamento delle seguenti unità interne. Classe 1.5; 2.0; 2.5; 3,5kW serie a parete K. Classe 4.2; 5,0kW serie a parete J.
Bovenstaande waarde is de waarde voor verbinding met de volgende binnenunits. Klasse 1.5; 2.0; 2.5; 3,5kW reeks K voor wandmontage. Klasse 4.2; 5,0kW reeks J voor wandmontage.
Значение выше является значением для подсоединения со следующими внутренними блоками. Класс 1.5; 2.0; 2.5; 3,5кВт настенный блок серии K. Класс 4.2; 5,0кВт настенный блок серии J.
Yukarıdaki değer aşağıdaki iç ünitelere bağlantı içindir. 1.5; 2.0; 2.5; 3,5kW sınıfı; duvar tipi K serisi. 4.2; 5,0kW sınıfı; duvar tipi J serisi.

5 Capacity tables

5 - 3 Heating Capacity Tables

2MXS50H Heating (50Hz 230V)

Combination (Capacity)	Outdoor air temp. °CWB	Indoor air temp. °CDB											
		16°C		18°C		20°C		21°C		22°C		24°C	
		TC kW	PI kW	TC kW	PI kW	TC kW	PI kW	TC kW	PI kW	TC kW	PI kW	TC kW	PI kW
2.0+4.2	-15.0	3.32	1.21	3.24	1.23	3.15	1.24	3.11	1.25	3.07	1.25	2.99	1.27
	-11.0	3.86	1.26	3.78	1.28	3.70	1.29	3.66	1.30	3.61	1.30	3.53	1.32
	-8.0	4.27	1.30	4.19	1.31	4.10	1.33	4.06	1.33	4.02	1.34	3.94	1.35
	-6.0	4.54	1.32	4.46	1.34	4.37	1.35	4.33	1.36	4.29	1.37	4.21	1.38
	-1.0	5.22	1.39	5.13	1.40	5.05	1.41	5.01	1.42	4.97	1.43	4.89	1.44
	1.0	5.49	1.41	5.41	1.42	5.32	1.44	5.28	1.44	5.24	1.45	5.16	1.47
	3.0	5.76	1.44	5.68	1.45	5.59	1.46	5.55	1.47	5.51	1.48	5.43	1.49
	6.0	6.17	1.47	6.08	1.49	6.00	1.50	5.96	1.51	5.92	1.51	5.83	1.53
	8.0	6.44	1.50	6.35	1.51	6.27	1.52	6.23	1.53	6.19	1.54	6.11	1.55
	10.0	6.71	1.52	6.62	1.54	6.54	1.55	6.50	1.56	6.46	1.56	6.38	1.58
	12.0	6.98	1.55	6.90	1.56	6.81	1.57	6.77	1.58	6.73	1.59	6.65	1.60
	15.0	7.39	1.58	7.30	1.60	7.22	1.61	7.18	1.62	7.14	1.62	7.05	1.64
18.0	7.79	1.62	7.71	1.63	7.63	1.65	7.58	1.66	7.54	1.66	7.46	1.68	
2.0+5.0	-15.0	3.43	1.25	3.35	1.27	3.26	1.28	3.22	1.29	3.17	1.30	3.09	1.31
	-11.0	3.99	1.31	3.91	1.32	3.82	1.33	3.78	1.34	3.73	1.35	3.65	1.36
	-8.0	4.41	1.34	4.33	1.36	4.24	1.37	4.20	1.38	4.15	1.39	4.07	1.40
	-6.0	4.69	1.37	4.61	1.38	4.52	1.40	4.48	1.40	4.43	1.41	4.35	1.42
	-1.0	5.39	1.43	5.31	1.45	5.22	1.46	5.18	1.47	5.13	1.47	5.05	1.49
	1.0	5.67	1.46	5.59	1.47	5.50	1.49	5.46	1.49	5.41	1.50	5.33	1.51
	3.0	5.95	1.48	5.87	1.50	5.78	1.51	5.74	1.52	5.69	1.53	5.61	1.54
	6.0	6.37	1.52	6.29	1.54	6.20	1.55	6.16	1.56	6.11	1.56	6.03	1.58
	8.0	6.65	1.55	6.57	1.56	6.48	1.58	6.44	1.58	6.39	1.59	6.31	1.60
	10.0	6.93	1.57	6.85	1.59	6.76	1.60	6.72	1.61	6.67	1.62	6.59	1.63
	12.0	7.21	1.60	7.13	1.61	7.04	1.63	7.00	1.63	6.95	1.64	6.87	1.65
	15.0	7.63	1.64	7.55	1.65	7.46	1.66	7.42	1.67	7.37	1.68	7.29	1.69
18.0	8.05	1.68	7.97	1.69	7.88	1.70	7.84	1.71	7.79	1.72	7.71	1.73	
2.5+2.5	-15.0	3.21	1.23	3.13	1.24	3.05	1.26	3.01	1.26	2.97	1.27	2.89	1.28
	-11.0	3.73	1.28	3.65	1.29	3.57	1.31	3.53	1.31	3.49	1.32	3.41	1.33
	-8.0	4.13	1.32	4.05	1.33	3.97	1.34	3.93	1.35	3.89	1.36	3.81	1.37
	-6.0	4.39	1.34	4.31	1.36	4.23	1.37	4.19	1.38	4.15	1.38	4.07	1.40
	-1.0	5.04	1.40	4.96	1.42	4.88	1.43	4.84	1.44	4.80	1.45	4.72	1.46
	1.0	5.31	1.43	5.23	1.44	5.15	1.46	5.11	1.46	5.06	1.47	4.98	1.48
	3.0	5.57	1.46	5.49	1.47	5.41	1.48	5.37	1.49	5.33	1.50	5.25	1.51
	6.0	5.96	1.49	5.88	1.51	5.80	1.52	5.76	1.53	5.72	1.53	5.64	1.55
	8.0	6.22	1.52	6.14	1.53	6.06	1.55	6.02	1.55	5.98	1.56	5.90	1.57
	10.0	6.48	1.54	6.40	1.56	6.32	1.57	6.28	1.58	6.24	1.58	6.16	1.60
	12.0	6.75	1.57	6.67	1.58	6.59	1.60	6.55	1.60	6.51	1.61	6.43	1.62
	15.0	7.14	1.61	7.06	1.62	6.98	1.63	6.94	1.64	6.90	1.65	6.82	1.66
18.0	7.53	1.64	7.45	1.66	7.37	1.67	7.33	1.68	7.29	1.68	7.21	1.70	

3D075207

SYMBOLS - ABKÜRZUNGEN ΣΥΜΒΟΛΑ - SIMBOLOS SIMBOLES - SIMBOLO VERKLARING - ОБЗНАЧЕНИЯ SEMBOLLER

TC: Total capacity (kW)
Pi: Power input (kW)
TC: Gesamtleistung (kW)
Pi: Leistungsaufnahme (kW)
TC: Συνολική απόδοση (kW)
Pi: Ισχύς εισόδου (kW)
TC: Capacidad total (kW)
Pi: Potencia consumida (kW)
TC: Puissance totale (kW)
Pi: Puissance absorbée (kW)
TC: Capacità totale (kW)
Pi: Potenza assorbita (kW)
TC: Totale capaciteit (kW)
Pi: Opgeomen vermogen (kW)
TC: Общая мощность (кВт)
Pi: Входная мощность (кВт)
TC: Toplam kapasite (kW)
Pi: Güç girişi (kW)

NOTES - ANMERKUNGEN - ΣΗΜΕΙΩΣΕΙΣ - NOTAS - REMARQUES - NOTE OPMERKINGEN - ПРИМЕЧАНИЯ - NOTLAR

1 Capacities are based on the following conditions.
- Corresponding refrigerant piping length: 5m
- Level difference: 0m
Die Kapazität basiert auf den folgenden Bedingungen:
- Entsprechende Kältemittelrohrlänge: 5m
- Höhenunterschied: 0m
Οι αποδόσεις βασίζονται στις ακόλουθες συνθήκες:
- Αντίστοιχο μήκος σωληνώσεων ψυκτικού: 5m
- Υψομετρική διαφορά: 0m
Las capacidades se basan en las siguientes condiciones.
- Longitud de tubería de refrigerante equivalente: 5m
- Diferencia de nivel: 0m
Les puissances sont basées sur les conditions suivantes.
- Longueur de tuyauterie correspondante du réfrigérant: 5m
- Démivellation: 0m
Le capacità si basano sulle seguenti condizioni.
- Lunghezza equivalente delle tubazioni del refrigerante: 5m
- Dislivello: 0m
De capaciteit is gebaseerd op de volgende situatie.
- overeenstemmende leidinglengte koelvoevoistof: 5m
- Niveaueverschil: 0m
Данные мощности основаны на следующих условиях.
- Соответствующая длина трубы охлаждения: 5м
- Разность уровней - 0м
Kapasiteter aşğıdaki koşullara bağıdır
- İlgili soğutucu boru uzunluęu: 5m
- Seviye farkı: 0m
2 The bold line is indicated the standard condition.
Die dicke Linie kennzeichnet die Standardbedingung.
Η έντονη γραμμή υποδεικνύει την κανονική κατάσταση.
La línea en negrita indica las condiciones estándar.

La ligne en gras indique un état standard.
La linea in grassetto indica la condizione standard.
De vette lijn duidt de standaardtoestand aan.
Жирная линия указывает стандартное условие.
Kalın çizgi standart koşul olarak belirtilmektedir.
3 The above is the value for connecting with the following indoor units. 1.5; 2.0; 2.5; 3.5kW class; wall mounted K series. 4.2; 5.0kW class; wall mounted J series.
Der obige Wert gilt für den Anschluss an die folgenden Innengeräte. Klasse 1,5; 2,0; 2,5; 3,5kW Wandgerät vom Typ K. Klasse 4,2; 5,0kW Wandgerät vom Typ J.
Η παραπάνω είναι τιμή για σύνδεση με τις παρακάτω εσωτερικές μονάδες. Κατηγορία 1,5; 2,0; 2,5; 3,5kW επιτοίχιο σειρά K. Κατηγορία 4,2; 5,0kW επιτοίχιο σειρά J.
El valor anterior es válido para la conexión con las unidades interiores siguientes. Clase 1,5; 2,0; 2,5; 3,5kW unidad de pared de la serie K. Clase 4,2; 5,0kW unidad de pared de la serie J.
La valeur ci-avant est la valeur pour la connexion aux unités intérieures suivantes. Série murale K, classe 1,5; 2,0; 2,5; 3,5kW. Série murale J, classe 4,2; 5,0kW.
Il valore indicato in alto si riferisce al collegamento delle seguenti unità interne. Classe 1,5; 2,0; 2,5; 3,5kW serie a parete K. Classe 4,2; 5,0kW serie a parete J.
Bovenstaande waarde is de waarde voor verbinding met de volgende binnenunits. Klasse 1,5; 2,0; 2,5; 3,5kW reeks K voor wandmontage. Klasse 4,2; 5,0kW reeks J voor wandmontage.
Значение выше является значением для подсоединения со следующими внутренними блоками. Класс 1,5; 2,0; 2,5; 3,5кВт настенный блок серии K. Класс 4,2; 5,0кВт настенный блок серии J.
Yukarıdaki değer aşğıdaki iç ünitelerle bağıdır. 1,5; 2,0; 2,5; 3,5kW sınıfı; duvar tipi K serisi. 4,2; 5,0kW sınıfı; duvar tipi J serisi.

5 Capacity tables

5 - 3 Heating Capacity Tables

2MXS50H
Heating (50Hz 230V)

Combination (Capacity)	Outdoor air temp. °CWB	Indoor air temp. °CDB											
		16°C		18°C		20°C		21°C		22°C		24°C	
		TC kW	PI kW	TC kW	PI kW	TC kW	PI kW	TC kW	PI kW	TC kW	PI kW	TC kW	PI kW
2.5+3.5	-15.0	3.32	1.28	3.24	1.29	3.15	1.31	3.11	1.31	3.07	1.32	2.99	1.34
	-11.0	3.86	1.33	3.78	1.34	3.70	1.36	3.66	1.37	3.61	1.37	3.53	1.39
	-8.0	4.27	1.37	4.19	1.38	4.10	1.40	4.06	1.40	4.02	1.41	3.94	1.43
	-6.0	4.54	1.40	4.46	1.41	4.37	1.42	4.33	1.43	4.29	1.44	4.21	1.45
	-1.0	5.22	1.46	5.13	1.47	5.05	1.49	5.01	1.50	4.97	1.50	4.89	1.52
	1.0	5.49	1.49	5.41	1.50	5.32	1.51	5.28	1.52	5.24	1.53	5.16	1.54
	3.0	5.76	1.51	5.68	1.53	5.59	1.54	5.55	1.55	5.51	1.56	5.43	1.57
	6.0	6.17	1.55	6.08	1.57	6.00	1.58	5.96	1.59	5.92	1.59	5.83	1.61
	8.0	6.44	1.58	6.35	1.59	6.27	1.61	6.23	1.61	6.19	1.62	6.11	1.63
	10.0	6.71	1.60	6.62	1.62	6.54	1.63	6.50	1.64	6.46	1.65	6.38	1.66
	12.0	6.98	1.63	6.90	1.64	6.81	1.66	6.77	1.67	6.73	1.67	6.65	1.69
	15.0	7.39	1.67	7.30	1.68	7.22	1.70	7.18	1.70	7.14	1.71	7.05	1.73
18.0	7.79	1.71	7.71	1.72	7.63	1.74	7.58	1.74	7.54	1.75	7.46	1.76	
2.5+4.2	-15.0	3.38	1.22	3.29	1.24	3.21	1.25	3.16	1.26	3.12	1.26	3.04	1.28
	-11.0	3.93	1.27	3.84	1.28	3.76	1.30	3.72	1.31	3.67	1.31	3.59	1.33
	-8.0	4.34	1.31	4.26	1.32	4.17	1.34	4.13	1.34	4.09	1.35	4.00	1.36
	-6.0	4.62	1.33	4.53	1.35	4.45	1.36	4.40	1.37	4.36	1.37	4.28	1.39
	-1.0	5.30	1.40	5.22	1.41	5.14	1.42	5.09	1.43	5.05	1.44	4.97	1.45
	1.0	5.58	1.42	5.50	1.43	5.41	1.45	5.37	1.45	5.33	1.46	5.24	1.48
	3.0	5.86	1.45	5.77	1.46	5.69	1.47	5.64	1.48	5.60	1.49	5.52	1.50
	6.0	6.27	1.48	6.18	1.50	6.10	1.51	6.06	1.52	6.02	1.52	5.93	1.54
	8.0	6.54	1.51	6.46	1.52	6.38	1.53	6.33	1.54	6.29	1.55	6.21	1.56
	10.0	6.82	1.53	6.74	1.55	6.65	1.56	6.61	1.57	6.57	1.57	6.48	1.59
	12.0	7.10	1.56	7.01	1.57	6.93	1.58	6.88	1.59	6.84	1.60	6.76	1.61
	15.0	7.51	1.59	7.42	1.61	7.34	1.62	7.30	1.63	7.26	1.64	7.17	1.65
18.0	7.92	1.63	7.84	1.65	7.75	1.66	7.71	1.67	7.67	1.67	7.58	1.69	
2.5+5.0	-15.0	3.49	1.26	3.40	1.28	3.31	1.29	3.27	1.30	3.23	1.30	3.14	1.32
	-11.0	4.06	1.31	3.97	1.33	3.88	1.34	3.84	1.35	3.79	1.36	3.71	1.37
	-8.0	4.48	1.35	4.40	1.37	4.31	1.38	4.26	1.39	4.22	1.39	4.13	1.41
	-6.0	4.77	1.38	4.68	1.39	4.59	1.41	4.55	1.41	4.51	1.42	4.42	1.43
	-1.0	5.48	1.44	5.39	1.46	5.30	1.47	5.26	1.48	5.22	1.48	5.13	1.50
	1.0	5.76	1.47	5.68	1.48	5.59	1.50	5.55	1.50	5.50	1.51	5.41	1.52
	3.0	6.05	1.49	5.96	1.51	5.87	1.52	5.83	1.53	5.79	1.54	5.70	1.55
	6.0	6.47	1.53	6.39	1.55	6.30	1.56	6.26	1.57	6.21	1.57	6.13	1.59
	8.0	6.76	1.56	6.67	1.57	6.58	1.59	6.54	1.59	6.50	1.60	6.41	1.61
	10.0	7.04	1.58	6.96	1.60	6.87	1.61	6.83	1.62	6.78	1.63	6.70	1.64
	12.0	7.33	1.61	7.24	1.62	7.15	1.64	7.11	1.64	7.07	1.65	6.98	1.67
	15.0	7.75	1.65	7.67	1.66	7.58	1.68	7.54	1.68	7.49	1.69	7.41	1.70
18.0	8.18	1.69	8.09	1.70	8.01	1.71	7.96	1.72	7.92	1.73	7.83	1.74	

3D075209

**SYMBOLS - ABKÜRZUNGEN
ΣΥΜΒΟΛΑ - SIMBOLOS
SIMBOLES - SIMBOLI
VERKLARING - ОБОЗНАЧЕНИЯ
SEMBOLER**

TC: Total capacity (kW)
PI: Power input (kW)

TC: Gesamtleistung (kW)
PI: Leistungsaufnahme (kW)

TC: Συνολική απόδοση (kW)
PI: Ισχύς εισόδου (kW)

TC: Capacidad total (kW)
PI: Potencia consumida (kW)

TC: Puissance totale (kW)
PI: Puissance absorbée (kW)

TC: Capacità totale (kW)
PI: Potenza assorbita (kW)

TC: Totale capaciteit (kW)
PI: Orpogenomen vermogen (kW)

TC: Общая мощность (кВт)
PI: Входная мощность (кВт)

TC: Toplam kapasite (kW)
PI: Güç girişi (kW)

**NOTES - ANMERKUNGEN - ΣΗΜΕΙΩΣΕΙΣ - NOTAS - REMARQUES - NOTE
OPMERKINGEN - ПРИМЕЧАНИЯ - NOTLAR**

1 Capacities are based on the following conditions.
- Corresponding refrigerant piping length: 5m
- Level difference: 0m
Die Kapazität basiert auf den folgenden Bedingungen:
- Entsprechende Kältemittelrohrlänge: 5m
- Höhenunterschied: 0m
Οι αποδόσεις βασίζονται στις ακόλουθες συνθήκες:
- Αντιστοίχο μήκος σωληνώσεων ψυκτικού: 5m
- Ύψομετρική διαφορά: 0m
Las capacidades se basan en las siguientes condiciones.
- Longitud de tubería de refrigerante equivalente: 5m
- Diferencia de nivel: 0m
Les puissances sont basées sur les conditions suivantes.
- Longueur de tuyauterie correspondante du réfrigérant: 5m
- Dénivellement: 0m
Le capacità si basano sulle seguenti condizioni.
- Lunghezza equivalente delle tubazioni del refrigerante: 5m
- Dislivello: 0m
De capaciteit is gebaseerd op de volgende situatie.
- Overeenstemmende leidingslengte koelvloeistof: 5m
- Niveaunderschil: 0m
Данные мощности основаны на следующих условиях.
- Соответствующая длина трубы охлаждения: 5м
- Разность уровней: 0м
Kapaciteler aşağıdaki koşullara bağlıdır
- İlgili soğutucu boru uzunluğu: 5m
- Seviye farkı: 0m

2 The bold line is indicated the standard condition.
Die dicke Linie kennzeichnet die Standardbedingung.
Η έντονη γραμμή υποδηλώνει την κανονική κατάσταση.
La línea en negrita indica las condiciones estándar.

La ligne en gras indique un état standard.
La linea in grassetto indica la condizione standard.
De vette lijn duidt de standaardtoestand aan.
Жирная линия указывает стандартное условие.
Kalın çizgi standart koşul olarak belirtilmektedir.

3 The above is the value for connecting with the following indoor units. 1.5; 2.0; 2.5; 3.5kW class; wall mounted K series. 4.2; 5.0kW class; wall mounted J series.
Der obige Wert gilt für den Anschluss an die folgenden Innengeräte. Klasse 1.5; 2.0; 2.5; 3.5kW Wandgerät vom Typ K. Klasse 4.2; 5.0kW Wandgerät vom Typ J.
Η παραπάνω είναι τιμή για σύνδεση με τις παρακάτω εσωτερικές μονάδες. Κατηγορία 1.5; 2.0; 2.5; 3,5kW επίτοιχη σειρά K. Κατηγορία 4.2; 5,0kW επίτοιχη σειρά J.
El valor anterior es válido para la conexión con las unidades interiores siguientes. Clase 1.5; 2.0; 2.5; 3,5kW unidad de pared de la serie K. Clase 4.2; 5,0kW unidad de pared de la serie J.
La valeur ci-avant est la valeur pour la connexion aux unités intérieures suivantes. Série murale K, classe 1.5; 2.0; 2.5; 3,5kW. Série murale J, classe 4.2; 5,0kW.
Il valore indicato in alto si riferisce al collegamento delle seguenti unità interne. Classe 1.5; 2.0; 2.5; 3,5kW serie a parete K. Classe 4.2; 5,0kW serie a parete J.
Bovenstaande waarde is de waarde voor verbinding met de volgende binnenunits. Klasse 1.5; 2.0; 2.5; 3,5kW reeks K voor wandmontage. Klasse 4.2; 5,0kW reeks J voor wandmontage.
Значение выше является значением для подсоединения со следующими внутренними блоками. Класс 1.5; 2.0; 2.5; 3,5кВт настенный блок серии K. Класс 4.2; 5,0кВт настенный блок серии J.
Yukarıdaki değer aşağıdaki iç ünitelere bağlantı içinidir. 1.5; 2.0; 2.5; 3.5kW sınıfı; duvar tipi K serisi. 4.2; 5.0kW sınıfı; duvar tipi J serisi.

5 Capacity tables

5 - 3 Heating Capacity Tables

2MXS50H Heating (50Hz 230V)

Combination (Capacity)	Outdoor air temp. °CWB	Indoor air temp. °CDB											
		16°C		18°C		20°C		21°C		22°C		24°C	
		TC kW	PI kW	TC kW	PI kW	TC kW	PI kW	TC kW	PI kW	TC kW	PI kW	TC kW	PI kW
3.5+3.5	-15.0	3.38	1.32	3.29	1.33	3.21	1.35	3.16	1.36	3.12	1.36	3.04	1.38
	-11.0	3.93	1.37	3.84	1.39	3.76	1.40	3.72	1.41	3.67	1.42	3.59	1.43
	-8.0	4.34	1.41	4.26	1.43	4.17	1.44	4.13	1.45	4.09	1.46	4.00	1.47
	-6.0	4.62	1.44	4.53	1.45	4.45	1.47	4.40	1.48	4.36	1.48	4.28	1.50
	-1.0	5.30	1.51	5.22	1.52	5.14	1.54	5.09	1.54	5.05	1.55	4.97	1.57
	1.0	5.58	1.53	5.50	1.55	5.41	1.56	5.37	1.57	5.33	1.58	5.24	1.59
	3.0	5.86	1.56	5.77	1.58	5.69	1.59	5.64	1.60	5.60	1.60	5.52	1.62
	6.0	6.27	1.60	6.18	1.62	6.10	1.63	6.06	1.64	6.02	1.64	5.93	1.66
	8.0	6.54	1.63	6.46	1.64	6.38	1.66	6.33	1.66	6.29	1.67	6.21	1.69
	10.0	6.82	1.65	6.74	1.67	6.65	1.68	6.61	1.69	6.57	1.70	6.48	1.71
	12.0	7.10	1.68	7.01	1.70	6.93	1.71	6.88	1.72	6.84	1.73	6.76	1.74
	15.0	7.51	1.72	7.42	1.74	7.34	1.75	7.30	1.76	7.26	1.77	7.17	1.78
	18.0	7.92	1.76	7.84	1.78	7.75	1.79	7.71	1.80	7.67	1.81	7.58	1.82
3.5+4.2	-15.0	3.43	1.22	3.35	1.24	3.26	1.25	3.22	1.26	3.17	1.26	3.09	1.28
	-11.0	3.99	1.27	3.91	1.28	3.82	1.30	3.78	1.31	3.73	1.31	3.65	1.33
	-8.0	4.41	1.31	4.33	1.32	4.24	1.34	4.20	1.34	4.15	1.35	4.07	1.36
	-6.0	4.69	1.33	4.61	1.35	4.52	1.36	4.48	1.37	4.43	1.37	4.35	1.39
	-1.0	5.39	1.40	5.31	1.41	5.22	1.42	5.18	1.43	5.13	1.44	5.05	1.45
	1.0	5.67	1.42	5.59	1.43	5.50	1.45	5.46	1.45	5.41	1.46	5.33	1.48
	3.0	5.95	1.45	5.87	1.46	5.78	1.47	5.74	1.48	5.69	1.49	5.61	1.50
	6.0	6.37	1.48	6.29	1.50	6.20	1.51	6.16	1.52	6.11	1.52	6.03	1.54
	8.0	6.65	1.51	6.57	1.52	6.48	1.53	6.44	1.54	6.39	1.55	6.31	1.56
	10.0	6.93	1.53	6.85	1.55	6.76	1.56	6.72	1.57	6.67	1.57	6.59	1.59
	12.0	7.21	1.56	7.13	1.57	7.04	1.58	7.00	1.59	6.95	1.60	6.87	1.61
	15.0	7.63	1.59	7.55	1.61	7.46	1.62	7.42	1.63	7.37	1.64	7.29	1.65
	18.0	8.05	1.63	7.97	1.65	7.88	1.66	7.84	1.67	7.79	1.67	7.71	1.69
3.5+5.0	-15.0	3.54	1.26	3.45	1.28	3.36	1.29	3.32	1.30	3.28	1.30	3.19	1.32
	-11.0	4.12	1.31	4.03	1.33	3.94	1.34	3.90	1.35	3.85	1.36	3.77	1.37
	-8.0	4.55	1.35	4.46	1.37	4.38	1.38	4.33	1.39	4.29	1.39	4.20	1.41
	-6.0	4.84	1.38	4.75	1.39	4.67	1.41	4.62	1.41	4.58	1.42	4.49	1.43
	-1.0	5.56	1.44	5.48	1.46	5.39	1.47	5.34	1.48	5.30	1.48	5.21	1.50
	1.0	5.85	1.47	5.77	1.48	5.68	1.50	5.63	1.50	5.59	1.51	5.50	1.52
	3.0	6.14	1.49	6.05	1.51	5.97	1.52	5.92	1.53	5.88	1.54	5.79	1.55
	6.0	6.58	1.53	6.49	1.55	6.40	1.56	6.36	1.57	6.31	1.57	6.22	1.59
	8.0	6.87	1.56	6.78	1.57	6.69	1.59	6.64	1.59	6.60	1.60	6.51	1.61
	10.0	7.15	1.58	7.07	1.60	6.98	1.61	6.93	1.62	6.89	1.63	6.80	1.64
	12.0	7.44	1.61	7.36	1.62	7.27	1.64	7.22	1.64	7.18	1.65	7.09	1.67
	15.0	7.88	1.65	7.79	1.66	7.70	1.68	7.66	1.68	7.61	1.69	7.52	1.70
	18.0	8.31	1.69	8.22	1.70	8.13	1.71	8.09	1.72	8.05	1.73	7.96	1.74

3D075209

**SYMBOLS - ABKÜRZUNGEN
ΣΥΜΒΟΛΑ - SIMBOLOS
SIMBOLES - SIMBOLI
VERKLARING - ОБОЗНАЧЕНИЯ
SEMBOLER**

TC: Total capacity (kW)
PI: Power input (kW)

TC: Gesamtleistung (kW)
PI: Leistungsaufnahme (kW)

TC: Συνολική απόδοση (kW)
PI: Ισχύς εισόδου (kW)

TC: Capacidad total (kW)
PI: Potencia consumida (kW)

TC: Puissance totale (kW)
PI: Puissance absorbée (kW)

TC: Capacità totale (kW)
PI: Potenza assorbita (kW)

TC: Totale capaciteit (kW)
PI: Opgenomen vermogen (kW)

TC: Общая мощность (кВт)
PI: Входная мощность (кВт)

TC: Toplam kapasite (kW)
PI: Güç girişi (kW)

**NOTES - ANMERKUNGEN - ΣΗΜΕΙΩΣΕΙΣ - NOTAS - REMARQUES - NOTE
OPMERKINGEN - ПРИМЕЧАНИЯ - NOTLAR**

1 Capacities are based on the following conditions.
- Corresponding refrigerant piping length: 5m
- Level difference: 0m
Die Kapazität basiert auf den folgenden Bedingungen:
- Entsprechende Kältemittelrohrlänge: 5m
- Höhenunterschied: 0m
Οι αποδόσεις βασίζονται στις ακόλουθες συνθήκες:
- Αντίστοιχο μήκος αγωγών ψυκτικού: 5m
- Υψομετρική διαφορά: 0m
Las capacidades se basan en las siguientes condiciones.
- Longitud de tubería de refrigerante equivalente: 5m
- Diferencia de nivel: 0m
Les puissances sont basées sur les conditions suivantes.
- Longueur de tuyauterie correspondante du réfrigérant: 5m
- Dénivellement: 0m
Le capacità si basano sulle seguenti condizioni.
- Lunghezza equivalente delle tubazioni del refrigerante: 5m
- Dislivello: 0m
De capaciteit is gebaseerd op de volgende situatie.
- Overeenstemmende leidinglengte koelvoevoistof: 5m
- Niveaunderschil: 0m
Данные мощности основаны на следующих условиях.
- Соответствующая длина трубы охлаждения: 5м
- Разность уровней - 0м
Kapasiteiler aşağıdaki koşullara bağlıdır
- İlgili soğutucu boru uzunluğu: 5m
- Seviye farkı: 0m

2 The bold line **□** is indicated the standard condition.
Die dicke Linie **□** kennzeichnet die Standardbedingung.
Η έντονη γραμμή **□** υποδηλώνει την κανονική κατάσταση.
La línea en negrita **□** indica las condiciones estándar.

3 The above is the value for connecting with the following indoor units. 1.5; 2.0; 2.5; 3.5kW class; wall mounted K series. 4.2; 5.0kW class; wall mounted J series.
Der obige Wert gilt für den Anschluss an die folgenden Innengeräte. Klasse 1,5; 2,0; 2,5; 3,5kW Wandgerät vom Typ K. Klasse 4,2; 5,0kW Wandgerät vom Typ J.
Η παραπάνω είναι τιμή για σύνδεση με τις παρακάτω εσωτερικές μονάδες. Κατηγορία 1,5; 2,0; 2,5; 3,5kW επιτοιχία σειρά Κ. Κατηγορία 4,2; 5,0kW επιτοιχία σειρά J.
El valor anterior es válido para la conexión con las unidades interiores siguientes. Clase 1,5; 2,0; 2,5; 3,5kW unidad de pared de la serie K. Clase 4,2; 5,0kW unidad de pared de la serie J.
La valeur ci-avant est la valeur pour la connexion aux unités intérieures suivantes. Série murale K, classe 1,5; 2,0; 2,5; 3,5kW. Série murale J, classe 4,2; 5,0kW.
Il valore indicato in alto si riferisce al collegamento delle seguenti unità interne. Classe 1,5; 2,0; 2,5; 3,5kW serie a parete K. Classe 4,2; 5,0kW serie a parete J. Bovenstaande waarde is de waarde voor verbinding met de volgende binnenunits. Klasse 1,5; 2,0; 2,5; 3,5kW reeks K voor wandmontage. Klasse 4,2; 5,0kW reeks J voor wandmontage.
Значение выше является значением для подсоединения со следующими внутренними блоками. Класс 1,5; 2,0; 2,5; 3,5кВт настенный блок серии K. Класс 4,2; 5,0кВт настенный блок серии J.
Yukarıdaki değer aşağıdaki iç ünitelerle bağlantı içindir. 1,5; 2,0; 2,5; 3,5kW sınıfı; duvar tipi K serisi. 4,2; 5,0kW sınıfı; duvar tipi J serisi.

5 Capacity tables

5 - 3 Heating Capacity Tables

2MXS50H

Heating (50Hz 230V)

Combination (Capacity)	Outdoor air temp. °CWB	Indoor air temp. °CDB											
		16°C		18°C		20°C		21°C		22°C		24°C	
		TC kW	PI kW	TC kW	PI kW	TC kW	PI kW	TC kW	PI kW	TC kW	PI kW	TC kW	PI kW
4.2+4.2	-15.0	3.49	1.21	3.40	1.23	3.31	1.24	3.27	1.25	3.23	1.25	3.14	1.27
	-11.0	4.06	1.26	3.97	1.28	3.88	1.29	3.84	1.30	3.79	1.30	3.71	1.32
	-8.0	4.48	1.30	4.40	1.31	4.31	1.33	4.26	1.33	4.22	1.34	4.13	1.35
	-6.0	4.77	1.32	4.68	1.34	4.59	1.35	4.55	1.36	4.51	1.37	4.42	1.38
	-1.0	5.48	1.39	5.39	1.40	5.30	1.41	5.26	1.42	5.22	1.43	5.13	1.44
	1.0	5.76	1.41	5.68	1.42	5.59	1.44	5.55	1.44	5.50	1.45	5.41	1.47
	3.0	6.05	1.44	5.96	1.45	5.87	1.46	5.83	1.47	5.79	1.48	5.70	1.49
	6.0	6.47	1.47	6.39	1.49	6.30	1.50	6.26	1.51	6.21	1.51	6.13	1.53
	8.0	6.76	1.50	6.67	1.51	6.58	1.52	6.54	1.53	6.50	1.54	6.41	1.55
	10.0	7.04	1.52	6.96	1.54	6.87	1.55	6.83	1.56	6.78	1.56	6.70	1.58
	12.0	7.33	1.55	7.24	1.56	7.15	1.57	7.11	1.58	7.07	1.59	6.98	1.60
	15.0	7.75	1.58	7.67	1.60	7.58	1.61	7.54	1.62	7.49	1.62	7.41	1.64
	18.0	8.18	1.62	8.09	1.63	8.01	1.65	7.96	1.66	7.92	1.66	7.83	1.68

3D075210

**SYMBOLS - ABKÜRZUNGEN
ΣΥΜΒΟΛΑ - SIMBOLOS
SIMBOLES - SIMBOLI
VERKLARING - ОБОЗНАЧЕНИЯ
SEMBOLLER**

TC: Total capacity (kW)
PI: Power input (kW)

TC: Gesamtleistung (kW)
PI: Leistungsaufnahme (kW)

TC: Συνολική απόδοση (kW)
PI: Ισχύς εισόδου (kW)

TC: Capacidad total (kW)
PI: Potencia consumida (kW)

TC: Puissance totale (kW)
PI: Puissance absorbée (kW)

TC: Capacità totale (kW)
PI: Potenza assorbita (kW)

TC: Totale capaciteit (kW)
PI: Opgenomen vermogen (kW)

TC: Общая мощность (кВт)
PI: Входная мощность (кВт)

TC: Toplam kapasite (kW)
PI: Güç girişi (kW)

**NOTES - ANMERKUNGEN - ΣΗΜΕΙΩΣΕΙΣ - NOTAS - REMARQUES - NOTE
OPMERKINGEN - ПРИМЕЧАНИЯ - NOTLAR**

1 Capacities are based on the following conditions.
- Corresponding refrigerant piping length: 5m
- Level difference: 0m
Die Kapazität basiert auf den folgenden Bedingungen:
- Entsprechende Kältemittelrohrlänge: 5m
- Höhenunterschied: 0m
Οι αποδόσεις βασίζονται στις ακόλουθες συνθήκες:
- Αντιστοίχο μήκος σωληνώσεων ψυκτικού: 5m
- Υψομετρική διαφορά: 0m
Las capacidades se basan en las siguientes condiciones.
- Longitud de tubería de refrigerante equivalente: 5m
- Diferencia de nivel: 0m
Les puissances sont basées sur les conditions suivantes.
- Longueur de tuyauterie correspondante du réfrigérant: 5m
- Dénivellation: 0m
Le capacità si basano sulle seguenti condizioni.
- Lunghezza equivalente delle tubazioni del refrigerante: 5m
- Dislivello: 0m
De capaciteit is gebaseerd op de volgende situatie.
- Overeenstemmende leidinglengte koelvloeistof: 5m
- Niveaunderschil: 0m
Данные мощности основаны на следующих условиях.
- Соответствующая длина трубы охлаждения: 5м
- Разность уровней - 0м
Kapasiteler aşağıdaki koşullara bağlıdır
- İlgili soğutucu boru uzunluğu: 5m
- Seviye farkı: 0m

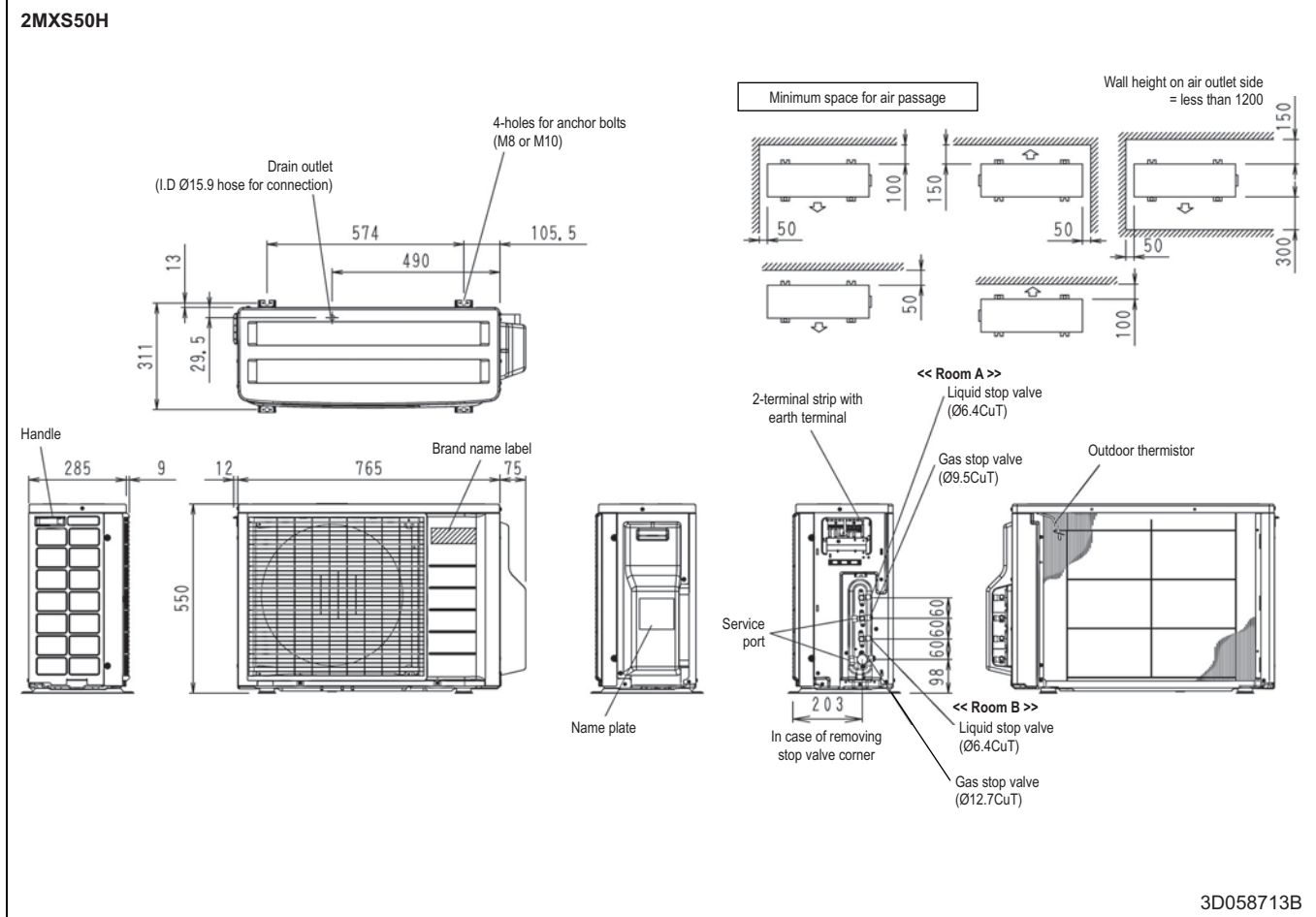
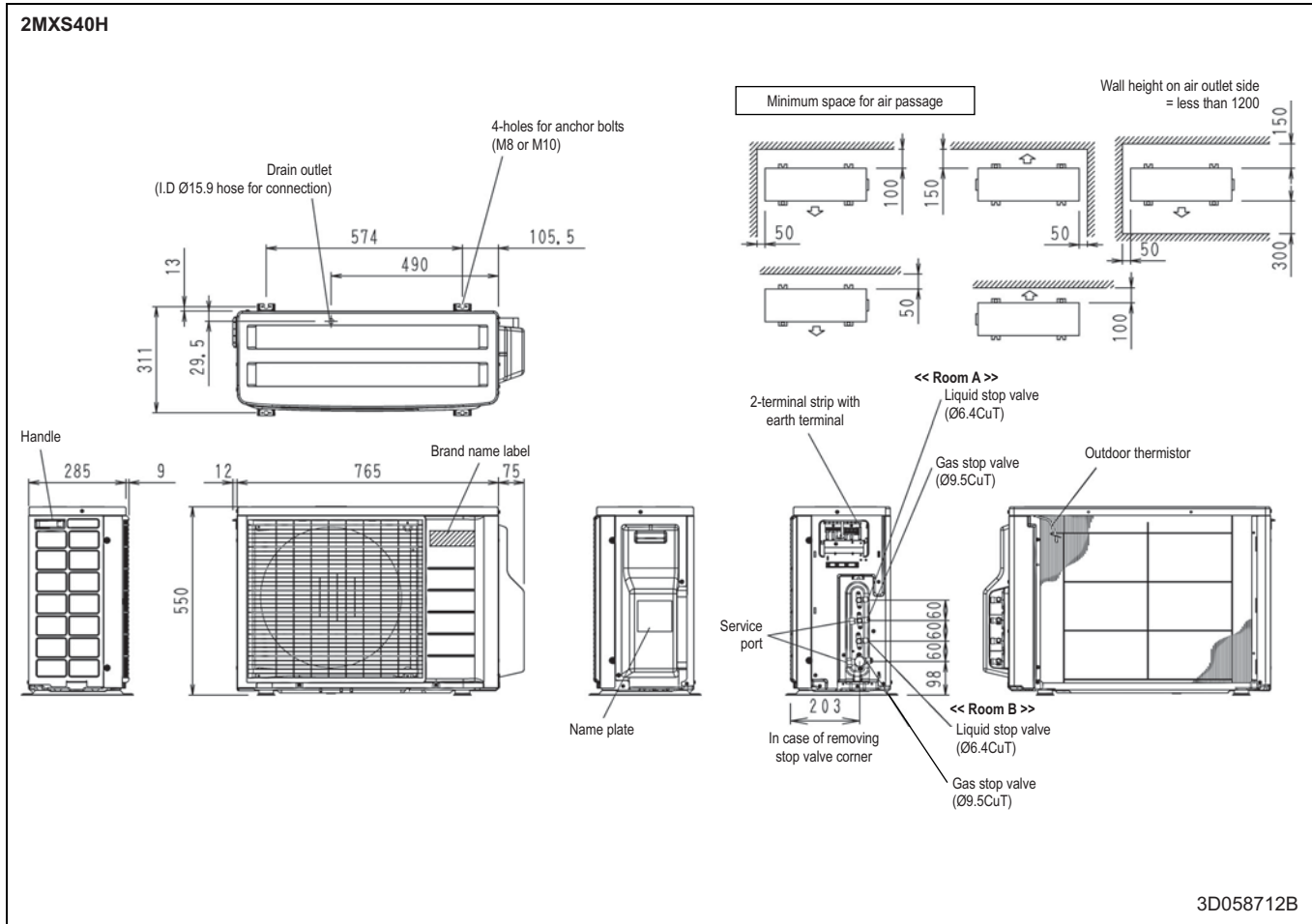
2 The bold line is indicated the standard condition.
Die dicke Linie kennzeichnet die Standardbedingung.
Η έντονη γραμμή υποδηλώνει την κανονική κατάσταση.
La línea en negrita indica las condiciones estándar.

La ligne en gras indique un état standard.
La linea in grassetto indica la condizione standard.
De vette lijn duidt de standaardtoestand aan.
Жирная линия указывает стандартное условие.
Kalın çizgi standart koşul olarak belirtilmektedir.

3 The above is the value for connecting with the following indoor units. 1.5; 2.0; 2.5; 3.5kW class; wall mounted K series. 4.2; 5.0kW class; wall mounted J series.
Der obige Wert gilt für den Anschluss an die folgenden Innengeräte. Klasse 1.5; 2.0; 2.5; 3.5kW Wandgerät vom Typ K. Klasse 4.2; 5.0kW Wandgerät vom Typ J.
Η παραπάνω είναι τιμή για σύνδεση με τις παρακάτω εσωτερικές μονάδες. Κατηγορία 1.5; 2.0; 2.5; 3.5kW επίτοιχη σειρά K. Κατηγορία 4.2; 5.0kW επίτοιχη σειρά J.
El valor anterior es válido para la conexión con las unidades interiores siguientes. Clase 1.5; 2.0; 2.5; 3.5kW unidad de pared de la serie K. Clase 4.2; 5.0kW unidad de pared de la serie J.
La valeur ci-avant est la valeur pour la connexion aux unités intérieures suivantes. Série murale K, classe 1.5; 2.0; 2.5; 3.5kW. Série murale J, classe 4.2; 5.0kW. Il valore indicato in alto si riferisce al collegamento delle seguenti unità interne. Classe 1.5; 2.0; 2.5; 3.5kW serie a parete K. Classe 4.2; 5.0kW serie a parete J. Bovenstaande waarde is de waarde voor verbinding met de volgende binnenunits. Klasse 1.5; 2.0; 2.5; 3.5kW reeks K voor wandmontage. Klasse 4.2; 5.0kW reeks J voor wandmontage.
Значение выше является значением для подсоединения со следующими внутренними блоками. Класс 1.5; 2.0; 2.5; 3.5кВт настенный блок серии K. Класс 4.2; 5.0кВт настенный блок серии J.
Yukarıdaki değer aşağıdaki iç ünitelerle bağlantı içindir. 1.5; 2.0; 2.5; 3.5kW sınıfı; duvar tipi K serisi. 4.2; 5.0kW sınıfı; duvar tipi J serisi.

6 Dimensional drawings

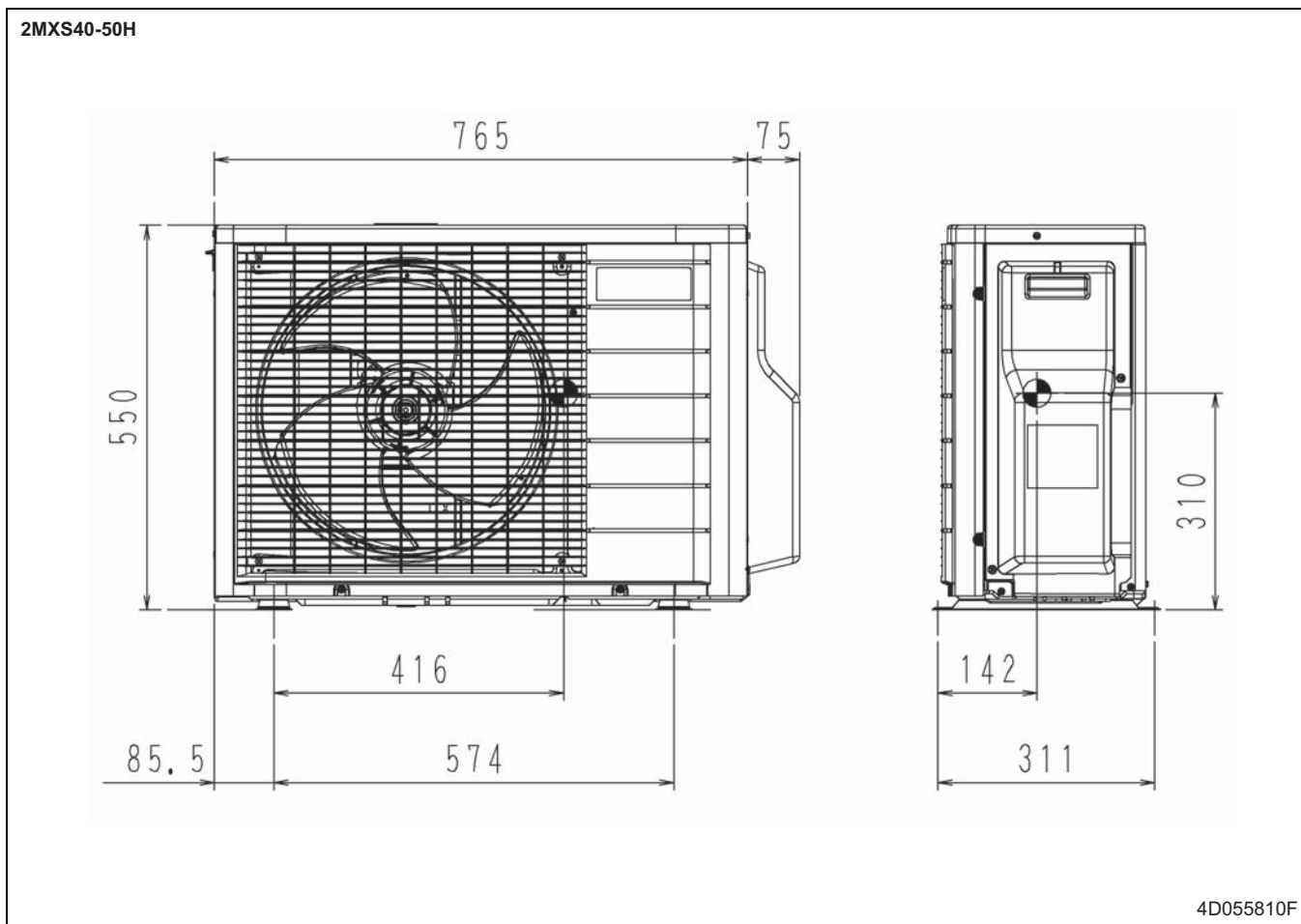
6 - 1 Dimensional Drawings



7 Centre of gravity

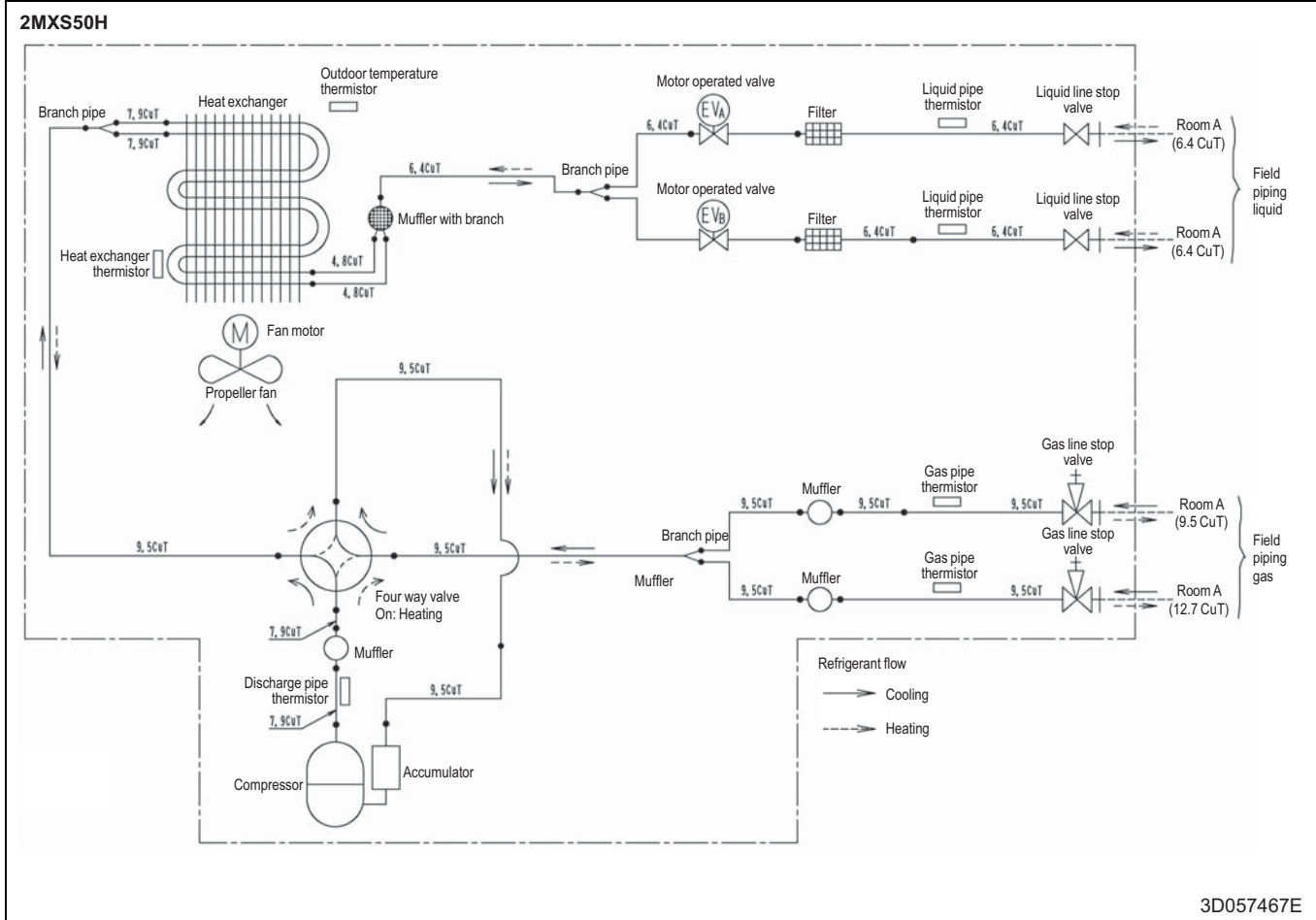
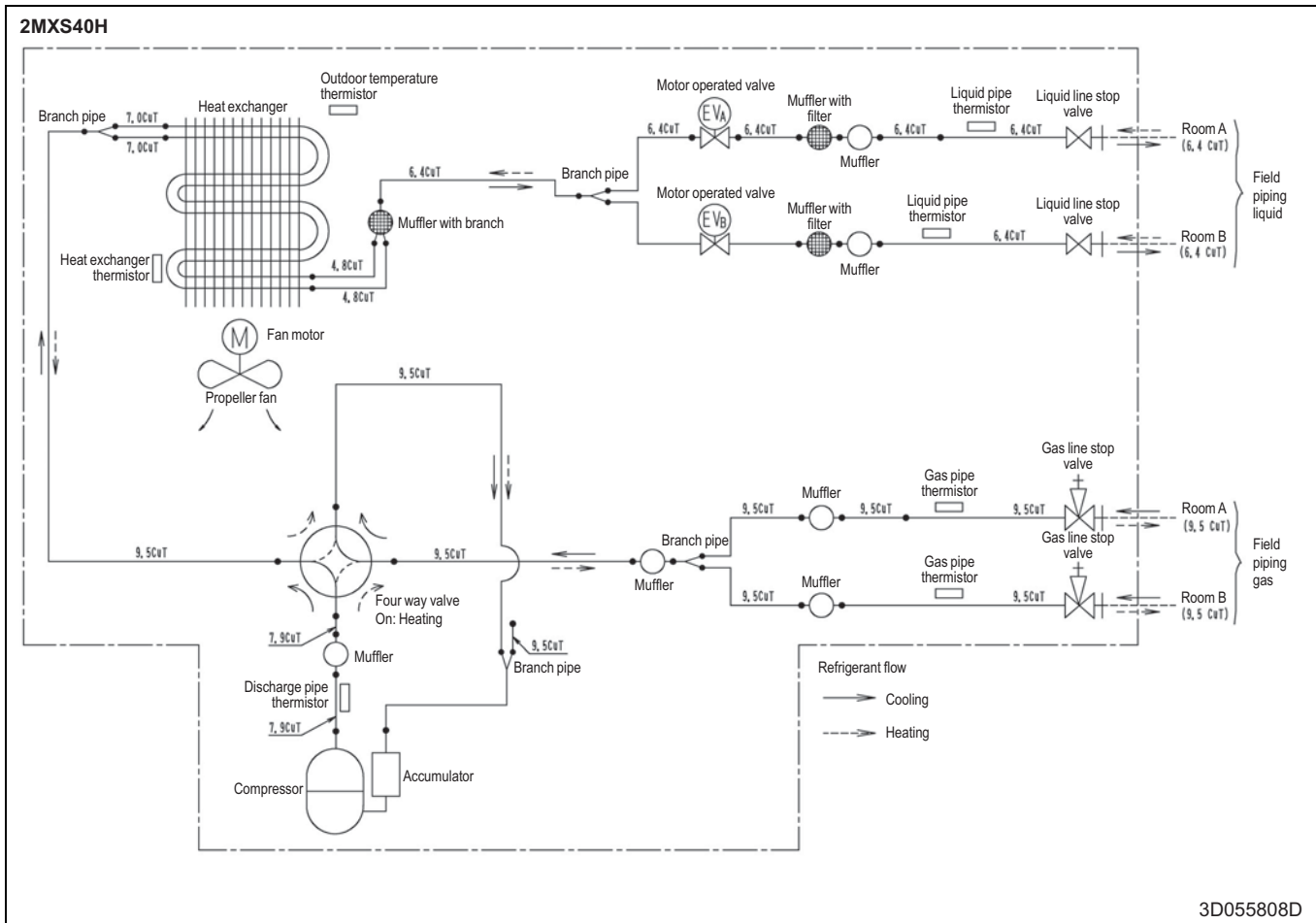
7 - 1 Centre of Gravity

7



8 Piping diagrams

8 - 1 Piping Diagrams

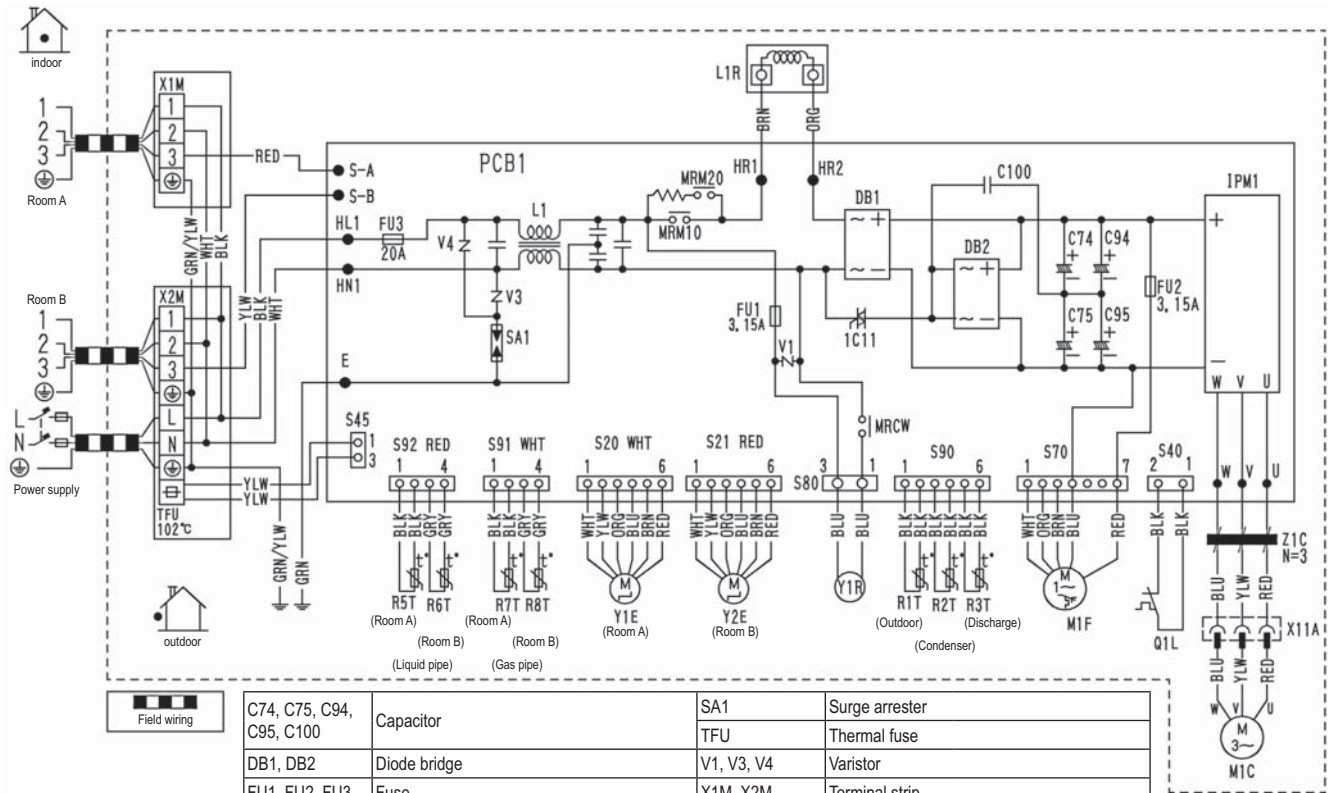


9 Wiring diagrams

9 - 1 Wiring Diagrams - Single Phase

9

2MXS40H



Field wiring

C74, C75, C94, C95, C100	Capacitor	SA1	Surge arrester
DB1, DB2	Diode bridge	TFU	Thermal fuse
FU1, FU2, FU3	Fuse	V1, V3, V4	Varistor
IC11	Triac	X1M, X2M	Terminal strip
IPM1	Intelligent power module	Y1E, Y2E	Electronic expansion valve coil
L	Live	Y1R	Reversing solenoid valve coil
L1	Coil	Z1C	Ferrite core
L1R	Reactor	⊕	Protective earth
M1C	Compressor motor	S20, S21, S40, S70, S80, S45, S90, S91, S92, X11A	Connector
M1F	Fan motor	BLK: Black	BLU: Blue
MRCW, MRM10, MRM20	Magnetic relay	GRY: Grey	ORG: Orange
N	Neutral	WHT: White	YLV: Yellow
PCB1	Printed circuit board		GRN: Green
Q1L	Overload protector		
R1T-R8T	Thermistor		

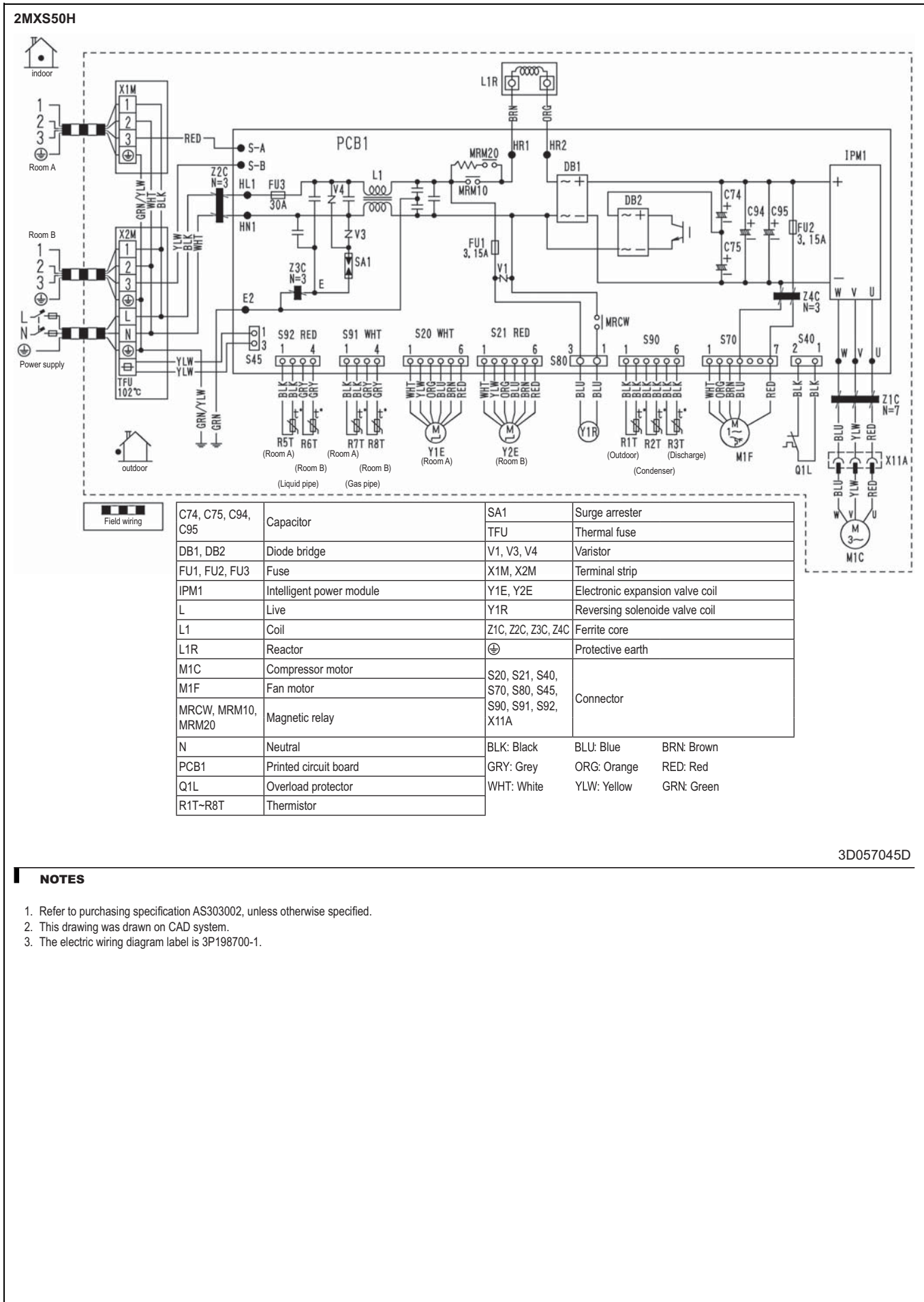
3D055486D

NOTES

1. Refer to purchasing specification AS303002, unless otherwise specified.
2. This drawing was drawn on CAD system.
3. The electric wiring diagram label is 3P189996-1.

9 Wiring diagrams

9 - 1 Wiring Diagrams - Single Phase



3D057045D

NOTES

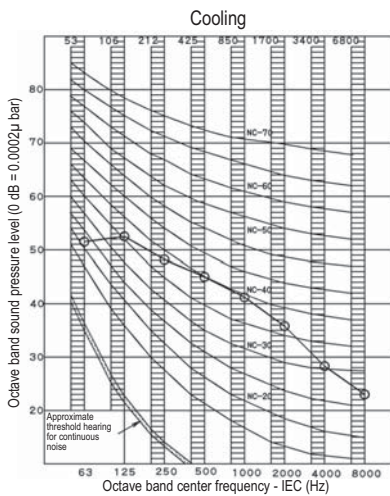
1. Refer to purchasing specification AS303002, unless otherwise specified.
2. This drawing was drawn on CAD system.
3. The electric wiring diagram label is 3P198700-1.

10 Sound data

10 - 1 Sound Pressure Spectrum

10

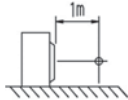
2MXS40H



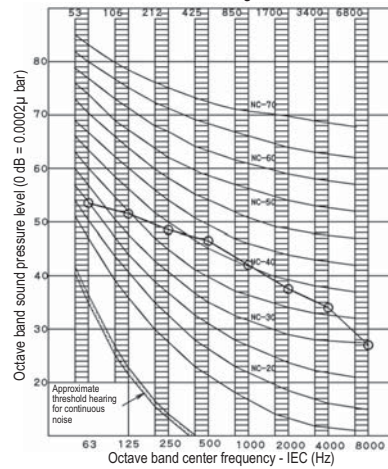
NOTES

- Over All (dB): (B,G,N is already rectified)
- Measuring place: measure in anechoic room.
- Operation noise differs with operation and ambient conditions.
- Operating conditions: Power source 220~240V, 50Hz
- Location of microphone. JISC9612
The operation noise measuring method is in accordance with JISC9612

Scale	50Hz 220~240V (H)
A	47



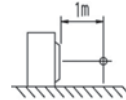
Heating



NOTES

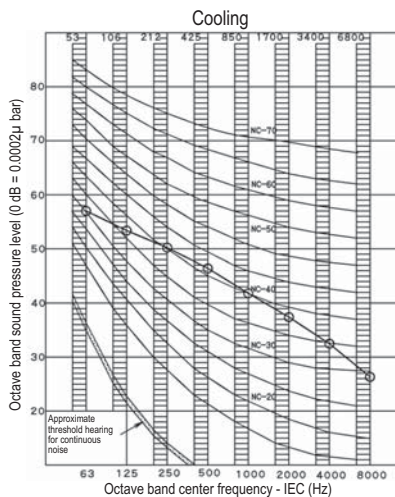
- Over All (dB): (B,G,N is already rectified)
- Measuring place: measure in anechoic room.
- Operating conditions: Power source 220~240V, 50Hz
- Location of microphone. JISC9612
The operation noise measuring method is in accordance with JISC9612

Scale	50Hz 220~240V (H)
A	48



3D055818D

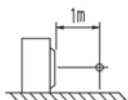
2MXS50H



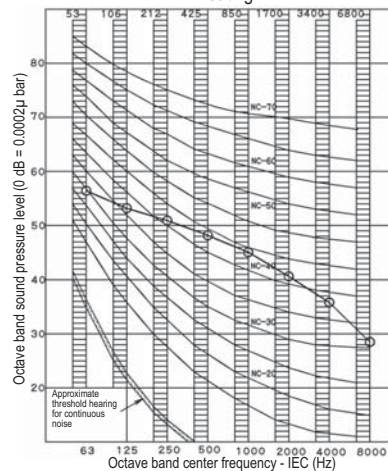
NOTES

- Over All (dB): (B,G,N is already rectified)
- Measuring place: measure in anechoic room.
- Operation noise differs with operation and ambient conditions.
- Operating conditions: Power source 220~240V, 50Hz
- Location of microphone. JISC9612
The operation noise measuring method is in accordance with JISC9612

Scale	50Hz 220~240V (H)
A	48



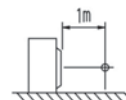
Heating



NOTES

- Over All (dB): (B,G,N is already rectified)
- Measuring place: measure in anechoic room.
- Operating conditions: Power source 220~240V, 50Hz
- Location of microphone. JISC9612
The operation noise measuring method is in accordance with JISC9612

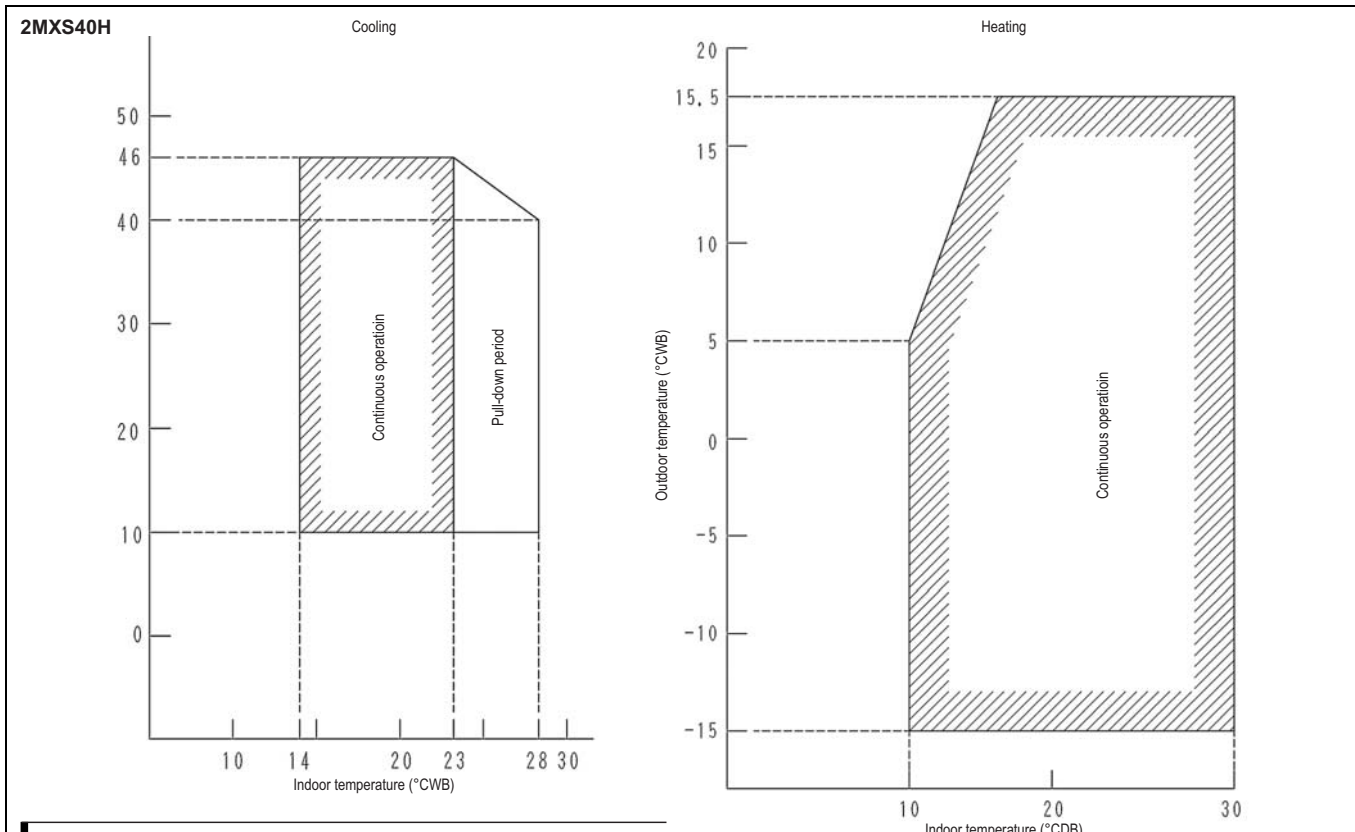
Scale	50Hz 220~240V (H)
A	50



3D057448E

11 Operation range

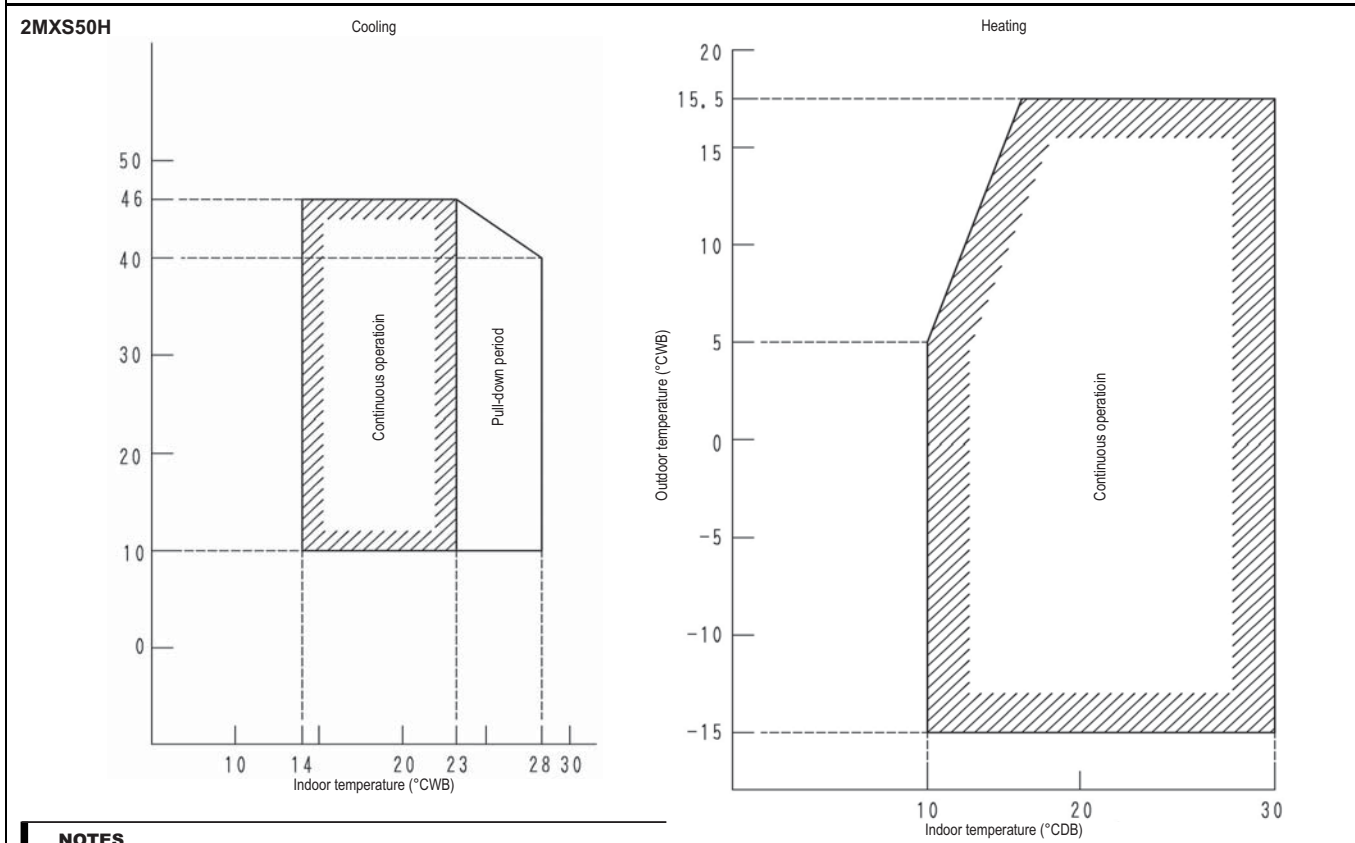
11 - 1 Operation Range



NOTES

- The graphs are based on the following conditions.
 - Equivalent piping length: 5.0m
 - Level difference: 0m
 - Air flow rate: High

3D057575F



NOTES

- The graphs are based on the following conditions.
 - Equivalent piping length: 5.0m
 - Level difference: 0m
 - Air flow rate: High

3D057575F



Daikin's unique position as a manufacturer of air conditioning equipment, compressors and refrigerants has led to its close involvement in environmental issues. For several years Daikin has had the intention to become a leader in the provision of products that have limited impact on the environment. This challenge demands the eco design and development of a wide range of products and an energy management system, resulting in energy conservation and a reduction of waste.



Daikin Europe N.V. participates in the Eurovent Certification programme for Air conditioners (AC), Liquid Chilling Packages (LCP) and Fan coil units (FCU). Check on-going validity of certificate online: www.eurovent-certification.com or using: www.certiflash.com

The present leaflet is drawn up by way of information only and does not constitute an offer binding upon Daikin Europe N.V.. Daikin Europe N.V. has compiled the content of this leaflet to the best of its knowledge. No express or implied warranty is given for the completeness, accuracy, reliability or fitness for particular purpose of its content and the products and services presented therein. Specifications are subject to change without prior notice. Daikin Europe N.V. explicitly rejects any liability for any direct or indirect damage, in the broadest sense, arising from or related to the use and/or interpretation of this leaflet. All content is copyrighted by Daikin Europe N.V.

BARCODE

Daikin products are distributed by:

