

1 Features

- Outdoor units for Multi model application.
- Up to 5 indoor units can be connected to 1 Multi outdoor unit. All indoor units are individually controllable with remote control and do not need to be installed in the same room or at the same time. They operate simultaneously within the same cooling operation
- It is possible to combine different types of indoor units as well (e.g. wall mounted units, concealed ceiling units)
- Daikin outdoor units are neat and sturdy and can be mounted easily on a roof or terrace or simply placed against an outside wall.
- Outdoor units are fitted with a swing compressor, renowned for its low noise and high energy efficiency



2 Specifications

2-1 TECHNICAL SPECIFICATIONS				2MXS40G2V1B	2MXS50G2V1B	3MXS68G2V1B	
Casing	Colour			Ivory White			
Dimensions	Unit	Height	mm	550	550	735	
		Width	mm	765	765	936	
		Depth	mm	285	285	300	
	Packing	Height	mm	612	612	797	
		Width	mm	906	906	992	
		Depth	mm	364	364	390	
Weight	Unit		kg	38	42	58	
	Packed Unit		kg	43	47	63	
Heat Exchanger	Dimensions	Length	mm	805	810	845	
		Nr of Rows			2	2	2
		Fin Pitch	mm	1.5	1.5	1.6	
		Nr of Stages			24	24	32
	Tube type			7Hi-XD	Hi-Xa(8)	Hi-Xa(8)	
	Fin	Type		WF fin			
Treatment		Anti-corrosion treatment	Anti-corrosion treatment	Anti-corrosion treatment (PE)			
Fan	Type			Propeller			
	Quantity			1	1		
	Air Flow Rate	Cooling (Low)	m³/min	30	34	43.5	
			m³/min	33	34	49.4	
		Cooling (Standard)	m³/min	36	37	52.7	
			m³/min	32	34	16.3	
		Heating (Low)	m³/min	32	34	44.5	
			m³/min	32	34	46.4	
		Cooling (High)	cfm	1059	1200	1,536	
			cfm	1165	1200	1,744	
		Cooling (Standard)	cfm	1271	1306	1,861	
			cfm	1130	1200	576	
		Heating (Low)	cfm	1130	1200	1,571	
			cfm	1130	1200	1,638	
		Heating (High)	cfm	1130	1200		
			cfm	1130	1200		
Motor	Quantity		1	1			
	Model		D50M-28	D50M-28	KFD-380-50-8C		

2 Specifications

2-1 TECHNICAL SPECIFICATIONS				2MXS40G2V1B	2MXS50G2V1B	3MXS68G2V1B	
Motor	Speed (nominal)	Cooling (Low)	rpm	760	890	700	
		Cooling (Standard)	rpm	840	890	790	
		Cooling (High)	rpm	900	950	840	
		Heating (Low)	rpm	820	890	300	
		Heating (Standard)	rpm	820	890	750	
		Heating (High)	rpm	820	890	780	
Fan	Motor	Output	W	50	50	53	
Compressor	Quantity			1	1	1	
	Motor	Model		1YC23AGXD	2YC36BXD#C	2YC45DXD#C	
		Type			Hermetically sealed swing compressor		
		Motor Output	W	600	1100	1,380	
Operation Range	Cooling	Min	°CDB	10	10	-10	
		Max	°CDB	46	46	46	
	Heating	Min	°CWB	-15	-15	-15	
		Max	°CWB	15.5	15.5	15.5	
Sound Level (nominal)	Cooling	Sound Power	dBA	62	63	61	
		Sound Pressure (Low)	dBA	43	44		
		Sound Pressure (High)	dBA	47	48	48	
	Heating	Sound Pressure (Low)	dBA	44	46		
		Sound Pressure (High)	dBA	48	50	49	
		Type			R-410A		
Refrigerant	Charge		kg	1.20	1.60	2.59	
	Type			FVC50K			
Refrigerant Oil	Charged Volume		l	0.45	0.65	0.65	

1
2

2 Specifications

2-1 TECHNICAL SPECIFICATIONS			2MXS40G2V1B	2MXS50G2V1B	3MXS68G2V1B
Piping connections	Liquid (OD)	Quantity	2	2	3
		Diameter (OD) mm	6.35	6.35	6.35
	Gas	Quantity	2	1	1
		Diameter (OD) mm	9.52	9.52	9.52
		Quantity		1	2
		Diameter (OD) mm		12.7	12.7
		Drain	Diameter (OD) mm	18	18
	Piping Length	Minimum m	3 (for 1 room)	3 (for 1 room)	
		Maximum m	30 (for total of each room)20 (for 1 room)	30 (for total of each room)20 (for 1 room)	60 (for total of each room)25 (for 1 room)
	Additional Refrigerant Charge		kg/m	0.02(>=20m)	0.02(>=20m)
Installation height difference	Maximum m	15	15	15	
Max. internunit level difference		m	7.5	7.5	7.5
Heat Insulation		Both liquid and gas pipes			
Standard Accessories	Item		Installation manual		
	Quantity		1	1	1
	Item		Screw bag	Screw bag	Drain plug
	Quantity		1	1	1
	Item		Drain plug	Drain plug	Reducer assembly
	Quantity		1	1	1
	Item			Reducer assembly	
Quantity			1		
Notes			Nominal cooling capacities are based on: indoor temperature: 27°CDB, 19.0°CWB; outdoor temperature: 35°CDB; refr.pip.length: 5m		
			Nominal heating capacities are based on: indoor temperature: 20°CDB; outdoor temperature: 7°CDB, 6°CWB, refr.pip.length: 5m		

2-2 ELECTRICAL SPECIFICATIONS			2MXS40G2V1B	2MXS50G2V1B	3MXS68G2V1B
Power Supply	Name		V1		
	Phase		1~		
	Frequency	Hz	50	50	50
	Voltage	V	220-240	220-240	230
Current	Starting current (cooling/heating)	A	5.9	9.8	6.2
Wiring connections	For Power Supply	Quantity	3	3	3
	For connection with indoor	Quantity	4	4	4

3 Electrical data

1
3

Model		Units				Power Supply		Comp.		OFM	
Outdoor	H/P - C/O	Hz	Volts	Min.	Max.	MCA	MFA	MSC	RLA	W	FLA
2MXS40G2V1B	H/P	50	220	198	242	9.0	16	4.9	4.37	40	0.17
			230	207	253			4.9	4.39		
			240	216	264			4.9	4.41		

3D055827A

SYMBOLS

MCA	: Min. Circuit Amps.	(A)
MFA	: Max. Fuse Amps (See note6).	(A)
MSC	: Max. current during the starting compressor.	(A)
RLA	: Rated load Amps.	(A)
OFM	: Outdoor Fan Motor.	(A)
FLA	: Full load Amps.	(A)
W	: Fan Motor Rated Output.	(W)

NOTES

- 1 RLA is based on the following conditions.
Cooling
Indoor temp. 27°C DB/19°C WB
Outdoor temp. 35°C DB.
- 2 Voltage range.
Units are suitable for use on electrical systems where voltage supplied to unit terminal is not below or above listed range limits.
- 3 Maximum allowable voltage variation between phases is 2%
- 4 MCA represents maximum input current.
MFA represents capacity which may accept MCA.
- 5 Selecty wire size based on the value of MCA
- 6 MFA is used to select the circuit breaker and the ground fault circuit interrupter (earth leakage circuit breaker).

3 Electrical data

Model		Units				Power Supply		Comp.		OFM	
Outdoor	H/P - C/O	Hz	Volts	Min.	Max.	MCA	MFA	MSC	RLA	W	FLA
2MXS50G2V1B	H/P	50	220	198	242	10.5	16	6.9	6.34	42	0.18
			230	207	253			6.9	6.36		
			240	216	264			6.9	6.38		

3D057669A

SYMBOLS

- MCA : Min. Circuit Amps. (A)
- MFA : Max. Fuse Amps (See note6). (A)
- MSC : Max. current during the starting compressor. (A)
- RLA : Rated load Amps. (A)
- OFM : Outdoor Fan Motor. (A)
- FLA : Full load Amps. (A)
- W : Fan Motor Rated Output. (W)

NOTES

- 1 RLA is based on the following conditions.
Cooling
Indoor temp. 27°C DB/19°C WB
Outdoor temp. 35°C DB.
- 2 Voltage range.
Units are suitable for use on electrical systems where voltage supplied to unit terminal is not below or above listed range limits.
- 3 Maximum allowable voltage variation between phases is 2%
- 4 MCA represents maximum input current.
MFA represents capacity which may accept MCA.
- 5 Selecty wire size based on the value of MCA
- 6 MFA is used to select the circuit breaker and the ground fault circuit interrupter (earth leakage circuit breaker).

1
3

4 Capacity tables

4 - 1 Combination table

★ Cooling (50Hz 230V)

Outdoor unit	Combination of indoor unit	Capacity of each indoor unit								
		Each capacity (kW)		Total capacity (kW)		Total input (W)		Total current (A)		Power factor (%)
		A room	B-room	Rating	(min~max)	Rating	(min~max)	Rating	(min~max)	Rating
2MXS40G2V1B	2.0	2.00	---	2.00	1.45 ~ 2.40	450	320 ~ 590	2.1	1.5 ~ 2.7	94
	2.50	2.50	---	2.50	1.45 ~ 3.00	620	320 ~ 820	2.9	1.5 ~ 3.8	94
	3.50	3.50	---	3.50	1.45 ~ 4.00	1080	320 ~ 1410	4.9	1.5 ~ 6.5	95
	2.0+2.0	2.00	2.00	4.00	1.65 ~ 4.10	1090	300 ~ 1130	5.0	1.4 ~ 5.2	94
	2.0+2.5	1.85	2.15	4.00	1.65 ~ 4.20	1080	300 ~ 1190	5.0	1.4 ~ 5.5	94
	2.0+3.5	1.75	2.25	4.00	1.65 ~ 4.40	1060	300 ~ 1310	4.9	1.4 ~ 6.1	94
	2.5+2.5	2.00	2.00	4.00	1.65 ~ 4.30	1070	300 ~ 1240	4.9	1.4 ~ 5.7	94
	2.5+3.5	1.80	2.25	4.00	1.65 ~ 4.50	1050	300 ~ 1350	4.9	1.4 ~ 6.2	94

★ Heating (50Hz 230V)

Outdoor unit	Combination of indoor unit	Capacity of each indoor unit								
		Each capacity (kW)		Total capacity (kW)		Total input (W)		Total current (A)		Power factor (%)
		A room	B-room	Rating	(min~max)	Rating	(min~max)	Rating	(min~max)	Rating
2MXS40G2V1B	2.0	3.00	---	3.00	1.20 ~ 3.70	850	290 ~ 1270	3.9	1.3 ~ 5.9	94
	2.50	3.40	---	3.40	1.20 ~ 4.10	1060	290 ~ 1520	4.9	1.3 ~ 7.0	95
	3.50	3.80	---	3.80	1.20 ~ 4.40	1290	290 ~ 1730	5.9	1.3 ~ 7.9	95
	2.0+2.0	2.10	2.10	4.20	1.50 ~ 4.60	1010	270 ~ 1170	4.7	1.2 ~ 5.4	94
	2.0+2.5	2.10	2.30	4.40	1.50 ~ 4.70	1080	270 ~ 1210	5.0	1.2 ~ 5.5	96
	2.0+3.5	2.00	2.40	4.40	1.50 ~ 4.70	1060	260 ~ 1190	4.9	1.2 ~ 5.4	96
	2.5+2.5	2.20	2.20	4.40	1.50 ~ 4.70	1070	270 ~ 1200	4.9	1.2 ~ 5.4	96
	2.5+3.5	2.05	2.35	4.40	1.50 ~ 4.70	1050	260 ~ 1180	4.8	1.2 ~ 5.3	96

3D055824A

NOTES

- Cooling capacity is based on 27°C DB/19°C WB (Indoor temperature). 35°C DB (Outdoor temperature). Heating capacity is based on 20°C DB (Indoor temperature). 7°C DB/6°C WB (Outdoor temperature).
- The total ability of connected a indoor unit is up to 6.0kW.
- It is impossible to connect the indoor unit for one room only.
- The above is the value for connecting with the following indoor units.
2.0, 2.5, 3.5kW class; wall mounted D, E (NW-S) series.

★ Cooling (50Hz 230V)

Outdoor unit	Combination of indoor unit	Capacity of each indoor unit								
		Each capacity (kW)		Total capacity (kW)		Total input (W)		Total current (A)		Power factor (%)
		A room	B-room	Rating	(min~max)	Rating	(min~max)	Rating	(min~max)	Rating
2MXS40G2V1B	2.0	2.00	---	2.00	1.45 ~ 2.40	470	320 ~ 610	2.2	1.5 ~ 2.8	94
	2.5	2.50	---	2.50	1.45 ~ 3.00	650	320 ~ 860	3.0	1.5 ~ 4.0	94
	3.5	3.50	---	3.50	1.45 ~ 4.00	1140	320 ~ 1430	5.2	1.5 ~ 6.5	95
	2.0+2.0	2.00	2.00	4.00	1.65 ~ 4.10	1130	300 ~ 1170	5.2	1.4 ~ 5.4	94
	2.0+2.5	1.85	2.15	4.00	1.65 ~ 4.20	1120	300 ~ 1210	5.2	1.4 ~ 5.6	94
	2.0+3.5	1.75	2.25	4.00	1.65 ~ 4.40	1100	300 ~ 1350	5.1	1.4 ~ 6.2	94
	2.5+2.5	2.00	2.00	4.00	1.65 ~ 4.30	1110	300 ~ 1280	5.1	1.4 ~ 5.9	94
	2.5+3.5	1.80	2.25	4.00	1.65 ~ 4.50	1090	300 ~ 1410	5.0	1.4 ~ 6.5	94

★ Heating (50Hz 230V)

Outdoor unit	Combination of indoor unit	Capacity of each indoor unit								
		Each capacity (kW)		Total capacity (kW)		Total input (W)		Total current (A)		Power factor (%)
		A room	B-room	Rating	(min~max)	Rating	(min~max)	Rating	(min~max)	Rating
2MXS40G2V1B	2.0	3.00	---	3.00	1.20 ~ 3.70	900	290 ~ 1300	4.2	1.3 ~ 6.0	94
	2.50	3.40	---	3.40	1.20 ~ 4.10	1110	290 ~ 1590	5.1	1.3 ~ 7.3	95
	3.50	3.80	---	3.80	1.20 ~ 4.40	1350	290 ~ 1780	6.2	1.3 ~ 8.1	95
	2.0+2.0	2.10	2.10	4.20	1.50 ~ 4.60	1060	280 ~ 1240	4.9	1.3 ~ 5.7	95
	2.0+2.5	2.10	2.30	4.40	1.50 ~ 4.70	1140	280 ~ 1290	5.3	1.3 ~ 5.8	96
	2.0+3.5	2.00	2.40	4.40	1.50 ~ 4.70	1120	280 ~ 1270	5.2	1.3 ~ 5.8	96
	2.5+2.5	2.20	2.20	4.40	1.50 ~ 4.70	1130	280 ~ 1280	5.2	1.3 ~ 5.8	96
	2.5+3.5	2.05	2.35	4.40	1.50 ~ 4.70	1100	280 ~ 1260	5.1	1.3 ~ 5.7	96

3D055825A

NOTES

- Cooling capacity is based on 27°C DB/19°C WB (Indoor temperature). 35°C DB (Outdoor temperature). Heating capacity is based on 20°C DB (Indoor temperature). 7°C DB/6°C WB (Outdoor temperature).
- The total ability of connected a indoor unit is up to 6.0kW.
- It is impossible to connect the indoor unit for one room only.
- The above is the value for connecting with the following indoor units.
2.0, 2.5, 3.5kW class; wall mounted C, D (GMS5) series.

4 Capacity tables

4 - 1 Combination table

★ Cooling (50Hz 230V)

Outdoor unit	Combination of indoor unit	Capacity of each indoor unit								
		Each capacity (kW)		Total capacity (kW)		Total input (W)		Total current (A)		Power factor (%)
		A room	B-room	Rating	(min~max)	Rating	(min~max)	Rating	(min~max)	Rating
2MXS50G2V1B	2.0	2.00	---	2.00	1.53 ~ 2.60	470	330 ~ 690	2.2	1.6 ~ 3.3	91
	2.5	2.50	---	2.50	1.53 ~ 3.10	660	330 ~ 920	3.2	1.6 ~ 4.4	91
	3.5	3.50	---	3.50	1.53 ~ 4.00	1090	330 ~ 1420	5.2	1.6 ~ 6.8	91
	5.0	5.00	---	5.00	1.57 ~ 5.10	2060	330 ~ 2170	9.8	1.6 ~ 10.4	91
	2.0+2.0	2.00	2.00	4.00	1.81 ~ 4.90	1050	330 ~ 1530	5.0	1.6 ~ 7.3	91
	2.0+2.5	2.00	2.50	4.50	1.81 ~ 5.00	1290	330 ~ 1600	6.2	1.6 ~ 7.6	91
	2.0+3.5	1.82	3.18	5.00	1.81 ~ 5.30	1560	330 ~ 1760	7.5	1.6 ~ 8.4	91
	2.0+5.0	1.43	3.57	5.00	1.81 ~ 5.40	1470	330 ~ 1720	7.0	1.6 ~ 8.2	91
	2.5+2.5	2.50	2.50	5.00	1.81 ~ 5.20	1560	330 ~ 1710	7.5	1.6 ~ 8.2	91
	2.5+3.5	2.08	2.92	5.00	1.81 ~ 5.30	1530	330 ~ 1760	7.3	1.6 ~ 8.4	91
	2.5+5.0	1.67	3.33	5.00	1.81 ~ 5.40	1470	330 ~ 1730	7.0	1.6 ~ 8.3	91
	3.5+3.5	2.50	2.50	5.00	1.81 ~ 5.30	1500	330 ~ 1720	7.2	1.6 ~ 8.2	91
	3.5+5.0	2.06	2.94	5.00	1.81 ~ 5.40	1440	330 ~ 1700	6.9	1.6 ~ 8.1	91

★ Heating (50Hz 230V)

Outdoor unit	Combination of indoor unit	Capacity of each indoor unit								
		Each capacity (kW)		Total capacity (kW)		Total input (W)		Total current (A)		Power factor (%)
		A room	B-room	Rating	(min~max)	Rating	(min~max)	Rating	(min~max)	Rating
2MXS50G2V1B	2.0	3.00	---	3.00	1.21 ~ 3.70	820	270 ~ 1140	3.9	1.3 ~ 5.4	91
	2.5	3.40	---	3.40	1.21 ~ 4.10	980	250 ~ 1330	4.7	1.2 ~ 6.4	91
	3.5	4.00	---	4.00	1.21 ~ 4.60	1240	250 ~ 1530	5.9	1.2 ~ 7.3	91
	5.0	5.40	---	5.40	1.33 ~ 5.60	1830	270 ~ 1980	8.7	1.3 ~ 9.5	91
	2.0+2.0	2.65	2.65	5.30	1.28 ~ 5.70	1340	240 ~ 1530	6.4	1.1 ~ 7.3	91
	2.0+2.5	2.44	3.06	5.50	1.28 ~ 5.80	1420	240 ~ 1560	6.8	1.1 ~ 7.5	91
	2.0+3.5	2.04	3.56	5.60	1.34 ~ 5.90	1440	250 ~ 1570	6.9	1.2 ~ 7.5	91
	2.0+5.0	1.63	4.07	5.70	1.39 ~ 6.20	1370	250 ~ 1610	6.5	1.2 ~ 7.7	91
	2.5+2.5	2.80	2.80	5.60	1.28 ~ 5.80	1450	240 ~ 1550	6.9	1.1 ~ 7.4	91
	2.5+3.5	2.38	3.32	5.70	1.34 ~ 6.00	1480	250 ~ 1640	7.1	1.2 ~ 7.8	91
	2.5+5.0	1.90	3.80	5.70	1.45 ~ 6.30	1360	260 ~ 1650	6.5	1.2 ~ 7.9	91
	3.5+3.5	2.85	2.85	5.70	1.40 ~ 6.10	1460	250 ~ 1650	7.0	1.2 ~ 7.9	91
	3.5+5.0	2.35	3.35	5.70	1.45 ~ 6.40	1350	250 ~ 1650	6.5	1.2 ~ 7.9	91

3D057668A

NOTES

- 1 Cooling capacity is based on 27°C DB/19°C WB (Indoor temperature). 35°C DB (Outdoor temperature). Heating capacity is based on 20°C DB (Indoor temperature). 7°C DB/6°C WB (Outdoor temperature).
- 2 The total ability of connected a indoor unit is up to 8.5kW.
- 3 It is impossible to connect the indoor unit for one room only.
- 4 The above is the value for connecting with the following indoor units.
2.0, 2.5, 3.5, 5.0kW class; wall mounted D, E (NW-S) series.

4 Capacity tables

4 - 1 Combination table

★ Cooling (50Hz 230V)

Outdoor unit	Combination of indoor unit	Capacity of each indoor unit								
		Each capacity (kW)		Total capacity (kW)		Total input (W)		Total current (A)		Power factor (%)
		A room	B-room	Rating	(min~max)	Rating	(min~max)	Rating	(min~max)	Rating
2MXS50G2V1B	2.0	2.00	---	2.00	1.53 ~ 2.60	470	330 ~ 690	2.2	1.6 ~ 3.3	91
	2.5	2.50	---	2.50	1.53 ~ 3.10	660	330 ~ 920	3.2	1.6 ~ 4.4	91
	3.5	3.50	---	3.50	1.53 ~ 4.00	1090	330 ~ 1420	5.2	1.6 ~ 6.8	91
	4.2	4.20	---	4.20	1.55 ~ 4.70	1530	330 ~ 2050	7.3	1.6 ~ 9.8	91
	5.0	5.00	---	5.00	1.57 ~ 5.10	2060	330 ~ 2170	9.8	1.6 ~ 10.4	91
	2.0+2.0	2.00	2.00	4.00	1.81 ~ 4.90	1050	330 ~ 1530	5.0	1.6 ~ 7.3	91
	2.0+2.5	2.00	2.50	4.50	1.81 ~ 5.00	1290	330 ~ 1600	6.2	1.6 ~ 7.6	91
	2.0+3.5	1.82	3.18	5.00	1.81 ~ 5.30	1560	330 ~ 1760	7.5	1.6 ~ 8.4	91
	2.0+4.2	1.61	3.39	5.00	1.81 ~ 5.40	1540	330 ~ 1800	7.4	1.6 ~ 8.6	91
	2.0+5.0	1.43	3.57	5.00	1.81 ~ 5.40	1470	330 ~ 1720	7.0	1.6 ~ 8.2	91
	2.5+2.5	2.50	2.50	5.00	1.81 ~ 5.20	1560	330 ~ 1710	7.5	1.6 ~ 8.2	91
	2.5+3.5	2.08	2.92	5.00	1.81 ~ 5.30	1530	330 ~ 1760	7.3	1.6 ~ 8.4	91
	2.5+4.2	1.87	3.13	5.00	1.81 ~ 5.40	1500	330 ~ 1800	7.2	1.6 ~ 8.6	91
	2.5+5.0	1.67	3.33	5.00	1.81 ~ 5.40	1470	330 ~ 1730	7.0	1.6 ~ 8.3	91
	3.5+3.5	2.50	2.50	5.00	1.81 ~ 5.30	1500	330 ~ 1720	7.2	1.6 ~ 8.2	91
	3.5+4.2	2.27	2.73	5.00	1.81 ~ 5.40	1470	330 ~ 1770	7.0	1.6 ~ 8.5	91
3.5+5.0	2.06	2.94	5.00	1.81 ~ 5.40	1440	330 ~ 1720	6.9	1.6 ~ 8.1	91	
4.2+4.2	2.50	2.50	5.00	1.81 ~ 5.40	1440	330 ~ 1730	6.9	1.6 ~ 8.3	91	

★ Heating (50Hz 230V)

Outdoor unit	Combination of indoor unit	Capacity of each indoor unit								
		Each capacity (kW)		Total capacity (kW)		Total input (W)		Total current (A)		Power factor (%)
		A room	B-room	Rating	(min~max)	Rating	(min~max)	Rating	(min~max)	Rating
2MXS50G2V1B	2.0	3.00	---	3.00	1.21 ~ 3.70	820	270 ~ 1140	3.9	1.3 ~ 5.4	91
	2.5	3.40	---	3.40	1.21 ~ 4.10	980	250 ~ 1330	4.7	1.2 ~ 6.4	91
	3.5	4.00	---	4.00	1.21 ~ 4.60	1240	250 ~ 1530	5.9	1.2 ~ 7.3	91
	4.2	4.70	---	4.70	1.21 ~ 5.10	1560	250 ~ 1770	7.5	1.2 ~ 8.5	91
	5.0	5.40	---	5.40	1.33 ~ 5.60	1830	270 ~ 1980	8.7	1.3 ~ 9.5	91
	2.0+2.0	2.65	2.65	5.30	1.28 ~ 5.70	1340	240 ~ 1530	6.4	1.1 ~ 7.3	91
	2.0+2.5	2.44	3.06	5.50	1.28 ~ 5.80	1420	240 ~ 1560	6.8	1.1 ~ 7.5	91
	2.0+3.5	2.04	3.56	5.60	1.34 ~ 5.90	1440	250 ~ 1570	6.9	1.2 ~ 7.5	91
	2.0+4.2	1.84	3.86	5.70	1.35 ~ 6.00	1470	250 ~ 1590	7.0	1.2 ~ 7.6	91
	2.0+5.0	1.63	4.07	5.70	1.39 ~ 6.20	1370	250 ~ 1610	6.5	1.2 ~ 7.7	91
	2.5+2.5	2.80	2.80	5.60	1.28 ~ 5.80	1450	240 ~ 1550	6.9	1.1 ~ 7.4	91
	2.5+3.5	2.38	3.32	5.70	1.34 ~ 6.00	1480	250 ~ 1640	7.1	1.2 ~ 7.8	91
	2.5+4.2	2.13	3.57	5.70	1.35 ~ 6.10	1450	250 ~ 1660	6.9	1.2 ~ 7.9	91
	2.5+5.0	1.90	3.80	5.70	1.45 ~ 6.30	1360	260 ~ 1650	6.5	1.2 ~ 7.9	91
	3.5+3.5	2.85	2.85	5.70	1.40 ~ 6.10	1460	250 ~ 1650	7.0	1.2 ~ 7.9	91
	3.5+4.2	2.59	3.11	5.70	1.41 ~ 6.20	1420	250 ~ 1660	6.8	1.2 ~ 7.9	91
3.5+5.0	2.35	3.35	5.70	1.45 ~ 6.40	1350	250 ~ 1650	6.5	1.2 ~ 7.9	91	
4.2+4.2	2.85	2.85	5.70	1.42 ~ 6.30	1400	250 ~ 1680	6.7	1.2 ~ 8.0	91	

3D059187

NOTES

- Cooling capacity is based on 27°C DB/19°C WB (Indoor temperature). 35°C DB (Outdoor temperature). Heating capacity is based on 20°C DB (Indoor temperature). 7°C DB/6°C WB (Outdoor temperature).
- The total ability of connected a indoor unit is up to 8.5kW.
- It is impossible to connect the indoor unit for one room only.
- The above is the value for connecting with the following indoor units.
2.0, 2.5, 3.5, 4.2, 5.0kW class; wall mounted G series.

4 Capacity tables

4 - 1 Combination table

★ Cooling (50Hz 230V)

Outdoor unit	Combination of indoor unit	Capacity of each indoor unit									
		Each capacity (kW)			Total capacity (kW)		Total input (W)		Total current (A)		Power factor (%)
		A room	B room	C room	Rating	(min - max)	Rating	(min - max)	Rating	(min - max)	Rating
3MXS68G2V1B	2.0	2.00	-	-	2.00	1.95 - 2.63	470	440 - 620	2.1	2.0 - 2.8	96
	2.5	2.50	-	-	2.50	1.95 - 3.37	590	460 - 850	2.7	2.1 - 3.8	96
	3.5	3.50	-	-	3.50	1.95 - 4.76	910	470 - 1470	4.0	2.1 - 6.5	98
	5.0	-	5.00	-	5.00	1.96 - 5.91	1710	450 - 2200	7.5	2.0 - 9.7	99
	6.0 - 6.00	-	6.00	-	6.00	1.96 - 6.38	2050	440 - 2320	9.0	1.8 - 10.2	99
	2.0+2.0	2.00	2.00	-	4.00	1.97 - 5.02	1000	430 - 1450	4.4	1.9 - 6.4	99
	2.0+2.5	2.00	2.50	-	4.50	1.97 - 5.33	1200	430 - 1610	5.3	1.9 - 7.1	99
	2.0+3.5	2.00	3.50	-	5.50	1.97 - 6.18	1660	420 - 2150	7.3	1.8 - 9.4	99
	2.0+5.0	1.94	4.86	-	6.80	1.97 - 7.12	2410	410 - 2650	10.6	1.8 - 11.6	99
	2.0+6.0	1.70	5.10	-	6.80	1.98 - 7.56	2210	400 - 2750	9.7	1.8 - 12.1	99
	2.5+2.5	2.50	2.50	-	5.00	1.97 - 5.98	1460	450 - 2000	6.4	2.0 - 8.8	99
	2.5+3.5	2.50	3.50	-	6.00	1.97 - 6.44	2060	430 - 2370	9.0	1.9 - 10.4	99
	2.5+5.0	2.27	4.53	-	6.80	1.97 - 7.23	2410	400 - 2750	10.6	1.8 - 12.1	99
	2.5+6.0	2.00	4.80	-	6.80	1.98 - 7.56	2210	380 - 2750	9.7	1.7 - 12.1	99
	3.5+3.5	3.40	3.40	-	6.80	1.97 - 6.99	251	410 - 2660	11.0	1.8 - 11.7	99
	3.5+5.0	2.80	4.00	-	6.80	1.97 - 7.61	2410	380 - 3120	10.6	1.7 - 13.7	99
	3.5+6.0	2.51	4.29	-	6.80	2.28 - 7.91	2210	430 - 3060	9.7	1.9 - 13.4	99
	5.0+5.0	-	3.40	3.40	6.80	2.36 - 8.06	2310	470 - 3350	10.1	2.1 - 14.7	99
	5.0+6.0	-	3.09	3.71	6.80	2.49 - 8.28	2120	480 - 3280	9.3	2.1 - 14.4	99
	2.0+2.0+2.0	2.00	2.00	2.00	6.00	1.98 - 6.51	1640	420 - 1890	7.2	1.8 - 8.3	99
	2.0+2.0+2.5	2.00	2.00	2.50	6.50	1.98 - 6.89	1890	420 - 2120	8.30	1.8 - 9.3	99
	2.0+2.0+3.5	1.81	1.81	3.18	6.80	1.98 - 7.25	2070	410 - 2350	9.1	1.8 - 10.3	99
	2.0+2.0+5.0	1.51	1.51	3.78	6.80	1.98 - 7.85	2020	390 - 2690	8.9	1.7 - 11.8	99
	2.0+2.0+6.0	1.36	1.36	4.08	6.80	2.33 - 8.11	1830	440 - 2640	8.0	1.9 - 11.6	99
	2.0+2.5+2.5	1.94	2.43	2.43	6.80	1.98 - 7.10	2070	410 - 2260	9.1	1.8 - 9.9	99
	2.0+2.5+3.5	1.70	2.13	2.97	6.80	1.98 - 7.59	2070	390 - 2590	9.1	1.7 - 11.4	99
	2.0+2.5+5.0	1.43	1.79	3.58	6.80	1.98 - 7.92	2020	390 - 2740	8.9	1.7 - 12.0	99
	2.0+2.5+6.0	1.30	1.62	3.88	6.80	2.33 - 8.38	1830	450 - 2840	8.0	2.0 - 12.5	99
	2.0+3.5+3.5	1.52	2.64	2.64	6.80	1.98 - 7.91	2070	400 - 2850	9.1	1.8 - 12.5	99
	2.0+3.5+5.0	1.30	2.27	3.23	6.80	2.30 - 8.41	2020	440 - 3170	8.9	1.9 - 13.9	99
	2.5+2.5+2.5	2.26	2.26	2.26	6.78	1.98 - 7.38	2070	410 - 2450	9.1	1.8 - 10.8	99
	2.5+2.5+3.5	2.00	2.00	2.80	6.80	1.98 - 7.78	2070	390 - 2750	9.1	1.7 - 12.1	99
	2.5+2.5+5.0	1.70	1.70	3.40	6.80	2.30 - 8.28	2020	440 - 3060	8.9	1.9 - 13.4	99
	2.5+2.5+6.0	1.55	1.55	3.70	6.80	2.44 - 8.57	1830	440 - 3000	8.0	1.9 - 13.2	99
	2.5+3.5+3.5	1.78	2.51	2.51	6.80	2.29 - 8.14	2070	440 - 3060	9.1	1.9 - 13.4	99
	3.5+3.5+3.5	2.26	2.26	2.26	6.78	2.40 - 8.42	2070	430 - 3330	9.1	1.9 - 14.6	99

3D059155

NOTES

- Cooling capacity is based on 27°C DB/19°C WB (indoor temperature), 35°C DB (outdoor temperature). Heating capacity is based on 20°C DB (indoor temperature), 7°C DB/6°C WB (outdoor temperature).
- The total ability of a connected indoor unit is up to 11.0 kW.
- It is possible to connect the indoor unit for one room only.
- The above is the value for connecting with the following indoor units.
2.0, 2.5, 3.5, 5.0 kW class; wall mounted D series
6.0 kW class; wall mounted F series
- Capacities are based on the following conditions.
Corresponding refrigerant piping length: 5m
Level difference: 0m

4 Capacity tables

4 - 1 Combination table

★ Cooling (50Hz 230V)

Outdoor unit	Combination of indoor unit	Capacity of each indoor unit									
		Each capacity (kW)			Total capacity (kW)		Total input (W)		Total current (A)		Power factor (%)
		A room	B room	C room	Rating	(min - max)	Rating	(min - max)	Rating	(min - max)	Rating
3MXS68G2V1B	2.0	2.00	-	-	2.00	1.95 - 2.63	470	440 - 620	2.1	2.0 - 2.8	96
	2.5	2.50	-	-	2.50	1.95 - 3.37	590	460 - 850	2.7	2.1 - 3.8	96
	3.5	3.50	-	-	3.50	1.95 - 4.76	910	470 - 1470	4.0	2.1 - 6.5	98
	5.0	-	5.00	-	5.00	1.96 - 5.92	1570	420 - 2010	6.9	1.8 - 8.8	99
	6.0	-	6.00	-	6.00	1.96 - 6.38	2050	440 - 2320	9.0	1.9 - 10.2	99
	2.0+2.0	2.00	2.00	-	4.00	1.97 - 5.02	1000	430 - 1450	4.4	1.9 - 6.4	99
	2.0+2.5	2.00	2.50	-	4.50	1.97 - 5.33	1200	430 - 1610	5.3	1.9 - 7.1	99
	2.0+3.5	2.00	3.50	-	5.50	1.97 - 6.18	1660	420 - 2150	7.3	1.8 - 9.4	99
	2.0+5.0	1.94	4.86	-	6.80	1.98 - 7.09	2220	390 - 2400	9.7	1.7 - 10.5	99
	2.0+6.0	1.70	5.10	-	6.80	1.98 - 7.56	2210	400 - 2750	9.7	1.8 - 12.1	99
	2.5+2.5	2.50	2.50	-	5.00	1.97 - 5.98	1460	450 - 2000	6.4	2.0 - 8.8	99
	2.5+3.5	2.50	3.50	-	6.00	1.97 - 6.44	2060	430 - 2370	9.0	1.9 - 10.4	99
	2.5+5.0	2.27	4.53	-	6.80	1.98 - 7.22	2220	380 - 2500	9.7	1.7 - 11.0	99
	2.5+6.0	2.00	4.80	-	6.80	1.98 - 7.56	2210	380 - 2750	9.7	1.7 - 12.1	99
	3.5+3.5	3.40	3.40	-	6.80	1.97 - 6.99	2510	410 - 2660	11.0	1.8 - 11.7	99
	3.5+5.0	2.80	4.00	-	6.80	1.98 - 7.65	2220	360 - 2850	9.7	1.6 - 12.5	99
	3.5+6.0	2.51	4.29	-	6.80	2.28 - 7.91	2210	430 - 3060	9.7	1.9 - 13.4	99
	5.0+5.0	-	3.40	3.40	6.80	2.31 - 8.10	1990	410 - 2760	8.7	1.8 - 12.1	99
	5.0+6.0	-	3.09	3.71	6.80	2.52 - 8.26	1970	460 - 2950	8.7	2.0 - 13.0	99
	2.0+2.0+2.0	2.00	2.00	2.00	6.00	1.98 - 6.51	1640	420 - 1890	7.2	1.8 - 8.3	99
	2.0+2.0+2.5	2.00	2.00	2.50	6.50	1.98 - 6.89	1890	420 - 2120	8.3	1.8 - 9.3	99
	2.0+2.0+3.5	1.81	1.81	3.18	6.80	1.98 - 7.25	2070	410 - 2350	9.1	1.8 - 10.3	99
	2.0+2.0+5.0	1.51	1.51	3.78	6.80	1.99 - 7.87	1880	370 - 2490	8.3	1.6 - 10.9	99
	2.0+2.0+6.0	1.36	1.36	4.08	6.80	2.33 - 8.11	1830	440 - 2640	8.0	1.9 - 11.6	99
	2.0+2.5+2.5	1.94	2.43	2.43	6.80	1.98 - 7.10	2070	410 - 2260	9.1	1.8 - 9.9	99
	2.0+2.5+3.5	1.70	2.13	2.97	6.80	1.98 - 7.59	2070	390 - 2590	9.1	1.7 - 11.4	99
	2.0+2.5+5.0	1.43	1.79	3.58	6.80	1.99 - 7.94	1880	360 - 2540	8.3	1.6 - 11.2	99
	2.0+2.5+6.0	1.30	1.62	3.88	6.80	2.33 - 8.38	1830	450 - 2840	8.0	2.0 - 12.5	99
	2.0+3.5+3.5	1.52	2.64	2.64	6.80	1.98 - 7.91	2070	400 - 2850	9.1	1.8 - 12.5	99
	2.0+3.5+5.0	1.30	2.27	3.23	6.80	2.33 - 8.35	1880	410 - 2840	8.3	1.8 - 12.5	99
	2.5+2.5+2.5	2.26	2.26	2.26	6.78	1.98 - 7.38	2070	410 - 2450	9.1	1.8 - 10.8	99
	2.5+2.5+3.5	2.00	2.00	2.80	6.80	1.98 - 7.78	2070	390 - 2750	9.1	1.7 - 12.1	99
	2.5+2.5+5.0	1.70	1.70	3.40	6.80	2.32 - 8.28	1880	420 - 2790	8.3	1.8 - 13.3	99
	2.5+2.5+6.0	1.55	1.55	3.70	6.80	2.44 - 8.57	1830	440 - 3000	8.0	1.9 - 13.2	99
	2.5+3.5+3.5	1.78	2.51	2.51	6.80	2.29 - 8.14	2070	440 - 3060	9.1	1.9 - 13.4	99
	2.5+3.5+5.0	1.55	2.16	3.09	6.80	2.44 - 8.55	1880	410 - 3000	8.3	1.8 - 13.2	99
	3.5+3.5+3.5	2.26	2.26	2.26	6.78	2.40 - 8.42	2070	430 - 3330	9.1	1.9 - 14.6	99

3D059157

NOTES

- Cooling capacity is based on 27°C DB/19°C WB (indoor temperature), 35°C DB (outdoor temperature). Heating capacity is based on 20°C DB (indoor temperature), 7°C DB/6°C WB (outdoor temperature).
- The total ability of a connected indoor unit is up to 11.0 kW.
- It is possible to connect the indoor unit for one room only.
- The above is the value for connecting with the following indoor units.
2.0, 2.5, 3.5, 5.0 kW class; wall mounted D series
6.0 kW class; wall mounted F series
- Capacities are based on the following conditions.
Corresponding refrigerant piping length: 5m
Level difference: 0m

4 Capacity tables

4 - 1 Combination table

★ Cooling (50Hz 230V)

Outdoor unit	Combination of indoor unit	Capacity of each indoor unit									
		Each capacity (kW)			Total capacity (kW)		Total input (W)		Total current (A)		Power factor (%)
		A room	B room	C room	Rating	(min - max)	Rating	(min - max)	Rating	(min - max)	Rating
3MXS68G2V1B	2.0	2.00	-	-	2.00	1.95 - 2.63	470	440 - 620	2.1	2.0 - 2.8	96
	2.5	2.50	-	-	2.50	1.95 - 3.37	590	460 - 850	2.7	2.1 - 3.8	96
	3.5	3.50	-	-	3.50	1.95 - 4.76	910	470 - 1470	4.0	2.1 - 6.5	98
	4.2	4.20	-	-	4.20	1.95 - 5.02	1210	470 - 1620	5.4	2.1 - 7.2	98
	5.0	-	5.00	-	5.00	1.96 - 5.91	1710	450 - 2200	7.5	2.0 - 9.7	99
	6.0	-	6.00	-	6.00	1.96 - 6.38	2050	440 - 2320	9.0	1.9 - 10.2	99
	2.0+2.0	2.00	2.00	-	4.00	1.97 - 5.02	1000	430 - 1450	4.4	1.9 - 6.4	99
	2.0+3.5	2.00	2.50	-	4.50	1.97 - 5.33	1200	430 - 1610	5.3	1.9 - 7.1	99
	2.0+3.5	2.00	3.50	-	5.50	1.97 - 6.18	1660	420 - 2150	7.3	1.8 - 9.4	99
	2.0+4.2	2.00	4.20	-	6.20	1.97 - 6.38	2090	420 - 2300	9.2	1.8 - 10.1	99
	2.0+5.0	1.94	4.86	-	6.80	1.97 - 7.12	2410	410 - 2650	10.6	1.8 - 11.6	99
	2.0+6.0	1.70	5.10	-	6.80	1.98 - 7.56	2210	400 - 2750	9.7	1.8 - 12.1	99
	2.5+2.5	2.50	2.50	-	5.00	1.97 - 5.98	1460	450 - 2000	6.4	2.0 - 8.8	99
	2.5+3.5	2.50	3.50	-	6.00	1.97 - 6.44	2060	430 - 2370	9.0	1.9 - 10.4	99
	2.5+4.2	2.50	4.20	-	6.70	1.97 - 6.81	2540	430 - 2670	11.2	1.9 - 11.7	99
	2.5+5.0	2.27	4.53	-	6.80	1.97 - 7.23	2410	400 - 2750	10.6	1.8 - 12.1	99
	2.5+6.0	2.00	4.80	-	6.80	1.98 - 7.56	2210	380 - 2750	9.7	1.7 - 12.1	99
	3.5+3.5	3.40	3.40	-	6.80	1.97 - 6.99	2510	410 - 2660	11.0	1.8 - 11.7	99
	3.5+4.2	3.09	3.71	-	6.80	1.97 - 7.10	2510	410 - 2760	11.0	1.8 - 12.1	99
	3.5+5.0	2.80	4.00	-	6.80	1.97 - 7.61	2410	380 - 3120	10.6	1.7 - 13.7	99
	3.5+6.0	2.51	4.29	-	6.80	2.28 - 7.91	2210	430 - 3060	9.7	1.9 - 13.4	99
	4.2+4.2	3.40	3.40	-	6.80	1.97 - 7.00	2510	410 - 2660	11.0	1.8 - 11.7	99
	4.2+5.0	3.10	3.70	-	6.80	1.97 - 7.62	2410	380 - 3120	10.6	1.7 - 13.7	99
	4.2+6.0	2.80	4.00	-	6.80	2.28 - 7.92	2210	430 - 3060	9.7	1.9 - 13.4	99
	5.0+5.0	-	3.40	3.40	6.80	2.36 - 8.06	2310	470 - 3350	10.1	2.1 - 14.7	99
	5.0+6.0	-	3.09	3.71	6.80	2.49 - 8.28	2120	480 - 3280	9.3	2.1 - 14.4	99

3D059159

NOTES

- Cooling capacity is based on 27°C DB/19°C WB (indoor temperature), 35°C DB (outdoor temperature). Heating capacity is based on 20°C DB (indoor temperature), 7°C DB/6°C WB (outdoor temperature).
- The total ability of a connected indoor unit is up to 11,0 kW.
- It is impossible to connect the indoor unit for one room only.
- The above is the value for connecting with the following indoor units.
2.0, 2.5, 3.5, 4.2, 5.0 kW class; wall mounted G series
6.0 kW class; wall mounted F series
- Capacities are based on the following conditions.
Corresponding refrigerant piping length: 5m
Level difference: 0m

4 Capacity tables

4 - 1 Combination table

1
4

★ Cooling (50Hz 230V)

Outdoor unit	Combination of indoor unit	Capacity of each indoor unit									
		Each capacity (kW)			Total capacity (kW)		Total input (W)		Total current (A)		Power factor (%)
		A room	B room	C room	Rating	(min - max)	Rating	(min - max)	Rating	(min - max)	Rating
3MXS68GZV1B	2.0+2.0+2.0	2.00	2.00	2.00	6.00	1.98 - 6.51	1640	420 - 1890	7.2	1.8 - 8.3	99
	2.0+2.0+2.5	2.00	2.00	2.50	6.50	1.98 - 6.49	1890	420 - 2120	8.3	1.8 - 9.3	99
	2.0+2.0+3.5	1.81	1.81	3.18	6.980	1.98 - 7.25	2070	410 - 2350	9.1	1.8 - 10.3	99
	2.0+2.0+4.2	1.66	1.66	3.48	6.80	1.98 - 7.46	2070	410 - 2500	9.1	1.8 - 11.0	99
	2.0+2.0+5.0	1.51	1.51	3.78	6.80	1.98 - 7.85	2020	390 - 2690	8.9	1.7 - 11.8	99
	2.0+2.0+6.0	1.36	1.36	4.08	6.80	2.33 - 8.11	1830	440 - 2640	8.0	1.9 - 11.6	99
	2.0+2.5+2.5	1.94	2.43	2.43	6.80	1.98 - 7.10	2070	410 - 2260	9.1	1.8 - 9.9	99
	2.0+2.5+3.5	1.70	2.13	2.9+7	6.80	1.98 - 7.59	2070	390 - 2590	9.1	1.7 - 11.4	99
	2.0+2.5+4.2	1.56	1.95	3.29	6.80	1.98 - 7.78	2070	390 - 2750	9.1	1.7 - 12.1	99
	2.0+2.5+5.0	1.43	1.79	3.58	6.80	1.98 - 7.92	2020	390 - 270	8.9	1.7 - 12.0	99
	2.0+2.5+6.0	1.30	4.62	3.88	6.80	2.33 - 8.38	1830	450 - 2840	8.0	2.0 - 12.5	99
	2.0+3.5+3.5	1.52	2.64	2.64	6.80	1.98 - 7.91	2070	400 - 2850	9.1	1.8 - 12.5	99
	2.0+3.5+4.2	1.40	2.45	2.95	6.80	1.98 - 8.09	2070	400 - 3010	9.1	1.8 - 13.2	99
	2.0+3.5+5.0	1.30	2.27	3.23	6.80	2.30 - 8.41	2020	440 - 3170	8.9	1.9 - 13.9	99
	2.0+4.2+4.2	1.30	2.75	2.75	6.80	1.98 - 8.21	2070	400 - 3110	9.1	1.8 - 13.7	99
	2.5+2.5+2.5	2.26	2.26	2.26	6.78	4.98 - 7.38	2070	410 - 2450	9.1	1.8 - 10.8	99
	2.5+2.5+3.5	2.00	2.00	2.80	6.80	1.98 - 7.78	2070	390 - 2750	9.1	1.7 - 12.1	99
	2.5+2.5+4.2	1.85	1.85	3.10	6.80	1.98 - 7.96	2070	390 - 2900	9.1	1.7 - 12.7	99
	2.5+2.5+5.0	1.70	1.70	3.40	6.80	2.30 - 8.28	2020	40 - 3060	8.9	1.9 - 13.4	99
	2.5+2.5+6.0	1.55	1.55	3.70	6.80	2.44 - 8.57	1830	440 - 3000	8.0	1.9 - 13.2	99
	2.5+3.5+3.5	1.78	2.51	2.51	6.80	2.29 - 8.14	2070	440 - 3060	9.1	1.9 - 13.4	99
	2.5+3.5+4.2	1.67	2.33	2.80	6.80	2.29 - 8.26	2070	440 - 3170	9.1	1.9 - 13.9	99
	2.5+3.5+5.0	1.55	2.16	3.09	6.80	2.51 - 8.57	1980	460 - 3330	8.7	2.0 - 14.6	99
	2.5+4.2+4.2	1.56	2.62	2.62	6.80	2.29 - 8.32	2070	440 - 3220	9.1	1.9 - 14.0	99
	3.5+3.5+2.26	2.26	2.26	2.26	6.78	2.40 - 8.42	2070	4.03330	9.1	1.9 - 14.6	99

3D059160

NOTES

- Cooling capacity is based on 27°C DB/19°C WB (indoor temperature), 35°C DB (outdoor temperature). Heating capacity is based on 20°C DB (indoor temperature), 7°C DB/6°C WB (outdoor temperature).
- The total ability of a connected indoor unit is up to 11.0 kW.
- It is possible to connect the indoor unit for one room only.
- The above is the value for connecting with the following indoor units.
2.0, 2.5, 3.5, 5.0 kW class; wall mounted G series
6.0 kW class; wall mounted F series
- Capacities are based on the following conditions.
Corresponding refrigerant piping length: 5m
Level difference: 0m

4 Capacity tables

4 - 1 Combination table

★ Heating (50Hz 230V)

Outdoor unit	Combination of indoor unit	Capacity of each indoor unit									
		Each capacity (kW)			Total capacity (kW)		Total input (W)		Total current (A)		Power factor (%)
		A room	B room	C room	Rating	(min - max)	Rating	(min - max)	Rating	(min - max)	Rating
3MXS68G2V1B	2.0	2.72	-	-	2.72	1.51 - 3.93	740	440 - 1270	3.3	2.0 - 5.6	98
	2.5	3.40	-	-	3.40	1.47 - 4.13	1030	430 - 1370	4.6	1.9 - 6.1	98
	3.5	4.30	-	-	4.30	1.48 - 4.52	1420	410 - 1610	6.2	1.8 - 7.1	99
	5.0	-	5.60	-	5.60	1.65 - 5.76	2130	390 - 2260	9.4	1.7 - 9.9	99
	6.0	-	7.90	-	7.90	1.92 - 8.57	2650	410 - 2720	11.6	1.8 - 11.9	99
	2.0+2.0	3.25	3.25	-	6.50	1.62 - 7.64	1870	380 - 2250	8.2	1.7 - 9.9	99
	2.0+2.5	3.04	3.81	-	6.85	1.62 - 7.81	2050	380 - 2330	9.0	1.7 - 10.2	99
	2.0+3.5	2.71	4.74	-	7.45	1.76 - 8.34	2340	390 - 2640	10.3	1.7 - 11.6	99
	2.0+5.0	2.46	6.14	-	8.60	2.14 - 10.15	2800	480 - 3260	12.3	2.1 - 14.3	99
	2.0+6.0	2.15	6.45	-	8.60	2.41 - 10.34	2430	510 - 2980	10.7	2.2 - 13.1	99
	2.5+2.5	3.60	3.60	-	7.20	1.62 - 8.16	2240	380 - 2560	9.8	1.7 - 11.2	99
	2.5+3.5	3.29	4.61	-	7.90	1.85 - 8.68	2580	400 - 2890	11.3	1.8 - 12.7	99
	2.5+5.0	2.87	5.73	-	8.60	2.23 - 10.27	2800	490 - 3330	12.3	2.2 - 14.6	99
	2.5+6.0	2.53	6.07	-	8.60	2.50 - 10.46	2430	530 - 3010	10.7	2.3 - 13.2	99
	3.5+3.5	4.30	4.30	-	8.60	2.13 - 9.02	2930	450 - 3110	12.9	2.0 - 13.7	99
	3.5+5.0	3.54	5.06	-	8.60	2.51 - 10.48	2790	540 - 3400	12.3	2.4 - 14.9	99
	3.5+6.0	3.17	5.43	-	8.60	2.69 - 10.59	2420	550 - 3000	10.6	2.4 - 13.2	99
	5.0+5.0	-	4.30	4.30	8.60	2.88 - 10.67	2700	630 - 3210	11.9	2.8 - 14.1	99
	5.0+6.0	-	3.91	4.69	8.60	3.08 - 10.66	2390	640 - 2960	10.5	2.8 - 13.0	99
	2.0+2.0+2.0	2.63	2.63	2.63	7.89	1.97 - 10.04	2050	440 - 2700	9.0	1.9 - 11.9	99
	2.0+2.0+2.5	2.54	2.54	3.17	8.25	2.06 - 10.12	2180	450 - 2740	9.6	2.0 - 12.0	99
	2.0+2.0+3.5	2.29	2.29	4.02	8.60	2.26 - 10.22	2340	470 - 2880	10.3	2.1 - 12.6	99
	2.0+2.0+5.0	1.91	1.91	4.78	8.60	2.66 - 10.40	2340	580 - 2960	10.3	2.5 - 13.0	99
	2.0+2.0+6.0	1.72	1.72	5.16	8.60	2.87 - 10.53	2120	580 - 2670	9.3	2.5 - 11.7	99
	2.0+2.5+2.5	2.46	3.07	3.07	8.60	2.16 - 10.13	2350	460 - 2840	10.3	2.0 - 12.5	99
	2.0+2.5+3.5	2.15	2.69	3.76	8.60	2.35 - 10.22	2340	490 - 2880	10.3	2.2 - 12.6	99
	2.0+2.5+5.0	1.81	2.26	4.53	8.60	2.75 - 10.63	2320	600 - 2990	10.2	2.6 - 13.1	99
	2.0+2.5+6.0	1.64	2.05	4.91	8.60	2.96 - 10.64	2100	600 - 2640	9.2	2.6 - 11.6	99
	2.0+3.5+3.5	1.92	3.34	3.34	8.60	2.64 - 10.35	2310	550 - 2930	10.1	2.4 - 12.9	99
	2.0+3.5+5.0	1.64	2.87	4.09	8.60	2.94 - 10.68	2290	620 - 3060	10.1	2.7 - 13.4	99
	2.5+2.5+2.5	2.86	2.86	2.86	8.58	2.26 - 10.24	2350	480 - 2870	10.3	2.1 - 12.6	99
	2.5+2.5+3.5	2.53	2.53	3.54	8.60	2.45 - 10.45	2340	510 - 10.45	10.3	2.2 - 13.0	99
	2.5+2.5+5.0	2.15	2.15	4.30	8.60	2.85 - 10.64	2290	620 - 3020	10.1	2.7 - 13.3	99
	2.5+2.5+6.0	1.95	1.95	4.70	8.60	3.06 - 10.65	2080	620 - 2640	9.1	2.7 - 11.6	99
	2.5+3.5+3.5	2.26	3.17	3.17	8.60	2.73 - 10.58	2310	560 - 2960	10.1	2.5 - 13.0	99
	2.5+3.5+5.0	1.95	2.74	3.91	8.60	3.13 - 10.65	2290	640 - 2980	10.1	2.8 - 13.1	99
	3.5+3.5+3.5	2.86	2.86	2.86	8.58	2.92 - 10.63	2290	610 - 3030	10.1	2.7 - 13.3	99

3D059156

NOTES

- 1 Cooling capacity is based on 27°C DB/19°C WB (indoor temperature), 35°C DB (outdoor temperature). Heating capacity is based on 20°C DB (indoor temperature), 7°C DB/6°C WB (outdoor temperature).
- 2 The total ability of a connected indoor unit is up to 11,0 kW.
- 3 It is impossible to connect the indoor unit for one room only.
- 4 The above is the value for connecting with the following indoor units.
2.0, 2.5, 3.5, 5.0 kW class; wall mounted D series
6.0 kW class; wall mounted F series
- 5 Capacities are based on the following conditions.
Corresponding refrigerant piping length: 5m
Level difference: 0m



4 Capacity tables

4 - 1 Combination table

★ Heating (50Hz 230V)

Outdoor unit	Combination of indoor unit	Capacity of each indoor unit									
		Each capacity (kW)			Total capacity (kW)		Total input (W)		Total current (A)		Power factor (%)
		A room	B room	C room	Rating	(min - max)	Rating	(min - max)	Rating	(min - max)	Rating
3MXS68G2V1B	2.0	2.72	-	-	2.72	1.51 - 3.93	740	440 - 1270	3.3	2.0 - 5.6	98
	2.5	3.40	-	-	3.40	1.47 - 4.13	1030	430 - 1370	4.6	1.9 - 6.1	98
	3.5	4.30	-	-	4.30	1.48 - 4.52	1420	410 - 1610	6.2	1.8 - 7.1	99
	5.0	-	5.60	-	5.60	1.69 - 5.71	1840	400 - 1960	8.1	1.8 - 8.6	99
	6.0	-	7.90	-	7.90	1.92 - 8.57	2650	410 - 2720	11.6	1.8 - 11.9	99
	2.0+2.0	3.25	3.25	-	6.50	1.62 - 7.64	1870	380 - 2250	8.2	1.7 - 9.9	99
	2.0+2.5	3.04	3.81	-	6.85	1.62 - 7.81	2050	380 - 2330	9.0	1.7 - 10.2	99
	2.0+3.5	2.71	4.74	-	7.45	1.76 - 8.34	2340	390 - 2640	10.3	1.7 - 11.6	99
	2.0+5.0	2.46	6.14	-	8.60	2.11 - 10.16	2500	430 - 2910	11.0	1.9 - 12.8	99
	2.0+6.0	2.15	6.45	-	8.60	2.41 - 10.34	2430	510 - 2980	10.7	2.2 - 13.1	99
	2.5+2.5	3.60	3.60	-	7.20	1.62 - 8.16	2240	380 - 2560	9.8	1.7 - 11.2	99
	2.5+3.5	3.29	4.61	-	7.90	1.85 - 8.68	2580	400 - 2890	11.3	1.8 - 12.7	99
	2.5+5.0	2.87	5.73	-	8.60	2.21 - 10.28	2500	450 - 2970	11.0	2.0 - 13.0	99
	2.5+6.0	2.53	6.07	-	8.60	2.50 - 10.46	2430	530 - 3010	10.7	2.3 - 13.2	99
	3.5+3.5	4.30	4.30	-	8.60	2.13 - 9.02	2930	450 - 3110	12.9	2.0 - 13.7	99
	3.5+5.0	3.54	5.06	-	8.60	2.49 - 10.41	2490	490 - 3000	10.9	2.2 - 13.2	99
	3.5+6.0	3.17	5.43	-	8.60	2.69 - 10.59	2420	550 - 3000	10.6	2.4 - 13.2	99
	5.0+5.0	-	4.30	4.30	8.60	2.88 - 10.60	2160	520 - 2550	9.5	2.3 - 11.2	99
	5.0+6.0	-	3.91	4.69	8.60	3.09 - 10.68	2140	570 - 2670	9.4	2.5 - 11.7	99
	2.0+2.0+2.0	2.63	2.63	2.63	7.89	1.97 - 10.04	2050	440 - 2700	9.0	1.9 - 11.9	99
	2.0+2.0+2.5	2.54	2.54	3.17	8.25	2.06 - 10.12	2180	450 - 2740	9.6	2.0 - 12.0	99
	2.0+2.0+3.5	2.29	2.29	4.02	8.60	2.26 - 10.22	2340	470 - 2880	10.3	2.1 - 12.6	99
	2.0+2.0+5.0	1.91	1.91	4.78	8.60	2.66 - 10.42	2180	510 - 2670	9.6	2.2 - 11.7	99
	2.0+2.0+6.0	1.72	1.72	5.16	8.60	2.87 - 10.53	2120	580 - 2670	9.3	2.5 - 11.7	99
	2.0+2.5+2.5	2.46	3.07	3.07	8.60	2.16 - 10.13	2350	460 - 2840	10.3	2.0 - 12.5	99
	2.0+2.5+3.5	2.15	2.69	3.76	8.60	2.35 - 10.22	2340	490 - 2880	10.3	2.2 - 12.6	99
	2.0+2.5+5.0	1.81	2.26	4.53	8.60	2.75 - 10.66	2120	530 - 2690	9.3	2.3 - 11.8	99
	2.0+2.5+6.0	1.64	2.05	4.91	8.60	2.96 - 10.64	2100	600 - 2640	9.2	2.6 - 11.6	99
	2.0+3.5+3.5	1.92	3.34	3.34	8.60	2.64 - 10.35	2310	550 - 2930	10.1	2.4 - 12.9	99
	2.0+3.5+5.0	1.64	2.87	4.09	8.60	2.95 - 10.70	2050	550 - 2760	9.0	2.4 - 12.1	99
	2.5+2.5+2.5	2.86	2.86	2.86	8.58	2.26 - 10.24	2350	480 - 2870	10.3	2.1 - 12.6	99
	2.5+2.5+3.5	2.53	2.53	3.54	8.60	2.45 - 10.45	2340	510 - 2960	10.3	2.2 - 13.0	99
	2.5+2.5+5.0	2.15	2.15	4.30	8.60	2.85 - 10.66	2100	540 - 2720	9.2	2.4 - 11.9	99
	2.5+2.5+6.0	1.95	1.95	4.70	8.60	3.06 - 10.65	2080	620 - 2640	9.1	2.7 - 11.6	99
	2.5+3.5+3.5	2.26	3.17	3.17	8.60	2.73 - 10.58	2310	560 - 2960	10.1	2.5 - 13.0	99
	2.5+3.5+5.0	1.95	2.74	3.91	8.60	3.05 - 10.67	2050	540 - 2690	9.0	2.4 - 11.8	99
	3.5+3.5+3.5	2.86	2.86	2.86	8.58	2.92 - 10.63	2290	610 - 3030	10.1	2.7 - 13.3	99

3D059158

NOTES

- Cooling capacity is based on 27°C DB/19°C WB (indoor temperature), 35°C DB (outdoor temperature). Heating capacity is based on 20°C DB (indoor temperature), 7°C DB/6°C WB (outdoor temperature).
- The total ability of a connected indoor unit is up to 11.0 kW.
- It is possible to connect the indoor unit for one room only.
- The above is the value for connecting with the following indoor units.
2.0, 2.5, 3.5, 5.0 kW class; wall mounted D series
6.0 kW class; wall mounted F series
- Capacities are based on the following conditions.
Corresponding refrigerant piping length: 5m
Level difference: 0m

4 Capacity tables

4 - 1 Combination table

★ Heating (50Hz 230V)

Outdoor unit	Combination of indoor unit	Capacity of each indoor unit									
		Each capacity (kW)			Total capacity (kW)		Total input (W)		Total current (A)		Power factor (%)
		A room	B room	C room	Rating	(min - max)	Rating	(min - max)	Rating	(min - max)	Rating
3MXS68G2V1B	2.0	2.72	-	-	2.72	1.51 - 3.93	740	440 - 1270	3.3	2.0 - 5.6	98
	2.5	3.40	-	-	3.40	1.47 - 4.13	1030	430 - 1370	4.6	1.9 - 3.1	98
	3.5	4.30	-	-	4.30	1.48 - 4.52	1420	410 - 1610	6.2	1.8 - 7.1	99
	4.2	4.50	-	-	4.50	1.48 - 4.71	1510	410 - 1720	6.6	1.8 - 7.6	99
	5.0	-	5.60	-	5.60	1.65 - 5.76	2130	390 - 2260	9.4	1.7 - 9.9	99
	6.0	-	7.90	-	7.90	1.92 - 8.57	2650	410 - 2920	11.6	1.8 - 12.8	99
	2.0+2.0	3.25	3.25	-	6.50	1.62 - 7.64	1870	380 - 2250	8.2	1.7 - 9.9	99
	2.0+2.5	3.04	3.81	-	6.85	1.62 - 7.81	205	380 - 2330	9.0	1.7 - 10.2	99
	2.0+3.5	2.71	4.74	-	7.45	1.76 - 8.34	2340	390 - 2640	10.3	1.7 - 11.6	99
	2.0+4.2	2.58	5.42	-	8.00	1.76 - 8.68	2640	390 - 2890	11.6	1.7 - 12.7	99
	2.0+5.0	2.46	6.14	-	8.60	2.14 - 10.15	2800	480 - 3260	12.3	2.1 - 14.3	99
	2.0+6.0	2.15	6.45	-	8.60	2.41 - 10.34	2430	510 - 2980	10.7	2.2 - 13.1	99
	2.5+2.5	3.60	2.60	-	7.20	1.62 - 8.16	2240	380 - 2560	9.8	1.7 - 11.2	99
	2.5+3.5	3.29	4.61	-	7.90	1.85 - 8.68	2580	400 - 2890	11.3	1.8 - 12.7	99
	2.5+4.2	3.10	5.20	-	8.30	1.85 - 8.93	2800	400 - 3070	12.3	1.8 - 13.5	99
	2.5+5.0	2.87	5.73	-	8.60	2.23 - 10.27	2800	490 - 3360	12.3	2.2 - 14.8	99
	2.5+6.0	2.53	6.07	-	8.60	2.50 - 10.46	2430	530 - 3010	10.7	2.3 - 13.2	99
	3.5+3.5	4.30	4.30	-	8.60	2.13 - 9.02	2930	450 - 3110	12.9	2.0 - 13.7	99
	3.5+4.2	3.91	4.69	-	8.60	2.13 - 9.11	2920	450 - 3160	12.8	2.0 - 13.9	99
	3.5+5.0	3.54	5.06	-	8.60	2.51 - 10.48	2790	540 - 3400	12.3	2.4 - 14.9	99
	3.5+6.0	3.17	5.43	-	8.60	2.69 - 10.59	2420	550 - 3000	10.6	2.4 - 13.2	99
	4.2+4.2	4.30	4.30	-	8.60	2.13 - 9.19	2920	450 - 3200	12.8	2.0 - 14.1	99
	4.2+5.0	3.93	4.67	-	8.60	2.51 - 10.49	2790	540 - 3470	12.3	2.4 - 15.2	99
	4.2+6.0	3.54	5.06	-	8.60	2.69 - 10.60	2420	540 - 3030	10.6	2.4 - 13.3	99
	5.0+5.0	-	4.30	4.30	8.60	2.88 - 10.67	2700	630 - 3380	11.9	2.8 - 14.8	99
	5.0+6.0	-	3.91	4.69	8.60	3.08 - 10.66	2390	640 - 2960	10.5	2.8 - 13.0	99

3D059161

NOTES

- Cooling capacity is based on 27°C DB/19°C WB (indoor temperature), 35°C DB (outdoor temperature). Heating capacity is based on 20°C DB (indoor temperature), 7°C DB/6°C WB (outdoor temperature).
- The total ability of a connected indoor unit is up to 11.0 kW.
- It is possible to connect the indoor unit for one room only.
- The above is the value for connecting with the following indoor units.
2.0, 2.5, 3.5, 5.0 kW class; wall mounted G series
6.0 kW class; wall mounted F series
- Capacities are based on the following conditions.
Corresponding refrigerant piping length: 5m
Level difference: 0m

4 Capacity tables

4 - 1 Combination table

1
4

★ Heating (50Hz 230V)

Outdoor unit	Combination of indoor unit	Capacity of each indoor unit									
		Each capacity (kW)			Total capacity (kW)		Total input (W)		Total current (A)		Power factor (%)
		A room	B room	C room	Rating	(min - max)	Rating	(min - max)	Rating	(min - max)	Rating
3MXS68G2V1B	2.0+2.0+2.0	2.63	2.63	2.63	7.89	1.97 - 10.04	2050	440 - 2700	9.0	1.9 - 11.9	99
	2.0+2.0+2.5	2.54	2.54	3.17	8.25	2.06 - 10.12	2180	450 - 2740	9.6	2.0 - 12.0	99
	2.0+2.0+3.5	2.29	2.29	4.02	8.60	2.26 - 10.22	2340	470 - 2880	10.3	2.1 - 12.6	99
	2.0+2.0+4.2	2.10	2.10	4.40	8.60	2.26 - 10.22	2340	470 - 2880	10.3	2.1 - 12.6	99
	2.0+2.0+5.0	1.91	1.91	4.78	8.60	2.66 - 10.40	2340	580 - 2960	10.3	2.5 - 13.0	99
	2.0+2.0+6.0	1.72	1.72	5.16	8.60	2.87 - 10.53	2120	580 - 2670	9.3	2.5 - 11.7	99
	2.0+2.5+2.5	2.46	3.07	3.07	8.60	2.16 - 10.13	2350	460 - 2840	10.3	2.0 - 12.5	99
	2.0+2.5+3.5	2.15	2.69	3.76	8.60	2.35 - 10.22	2340	490 - 2880	10.3	2.2 - 12.6	99
	2.0+2.5+4.2	1.98	2.47	4.15	8.60	2.36 - 10.23	2340	490 - 2870	10.3	2.2 - 12.6	99
	2.0+2.5+5.0	1.81	2.26	4.53	8.60	2.75 - 10.63	2320	600 - 2990	10.2	2.6 - 13.1	99
	2.0+2.5+6.0	1.64	2.05	4.91	8.60	2.96 - 10.64	2100	600 - 2640	9.2	2.6 - 11.6	99
	2.0+3.5+3.5	1.92	3.34	3.34	8.60	2.64 - 10.35	2310	550 - 2930	10.1	2.4 - 12.9	99
	2.0+3.5+4.2	1.77	3.10	3.72	8.60	2.64 - 10.35	2310	550 - 2920	10.1	2.4 - 12.8	99
	2.0+3.5+5.0	1.64	2.87	4.09	8.60	2.94 - 10.68	2290	620 - 3060	10.1	2.7 - 13.4	99
	2.0+4.2+4.2	1.65	3.47	3.47	8.60	2.26 - 10.24	2350	480 - 2870	10.3	2.1 - 12.6	99
	2.5+2.5+3.5	2.53	2.53	3.54	8.60	2.45 - 10.45	2340	510 - 2960	10.3	2.2 - 13.0	99
	2.5+2.5+4.2	2.34	2.34	2.93	8.60	2.45 - 10.46	2340	510 - 2960	10.3	2.2 - 13.0	99
	2.5+2.5+5.0	2.15	2.15	4.30	8.60	2.85 - 10.64	2290	620 - 3020	10.1	2.7 - 13.3	99
	2.5+2.5+6.0	1.95	1.95	4.70	8.60	3.06 - 10.65	2080	620 - 2640	9.1	2.7 - 11.6	99
	2.5+3.5+3.5	2.26	3.17	3.17	8.60	2.73 - 10.58	2310	560 - 2960	10.1	2.5 - 13.0	99
	2.5+3.5+4.2	2.11	2.95	3.54	8.60	2.74 - 10.59	2310	560 - 2950	10.1	2.5 - 13.0	99
	2.5+3.5+5.0	1.95	2.74	3.91	8.60	3.13 - 10.65	2290	640 - 2980	10.1	2.8 - 13.1	99
	2.5+4.2+4.2	1.97	3.31	3.31	8.60	2.74 - 10.59	2310	560 - 2950	10.1	2.5 - 13.0	99
	3.5+3.5+3.5	2.86	2.86	2.86	8.58	2.92 - 10.63	2290	610 - 3030	10.1	2.7 - 13.3	99

3D059162

NOTES

- Cooling capacity is based on 27°C DB/19°C WB (indoor temperature), 35°C DB (outdoor temperature). Heating capacity is based on 20°C DB (indoor temperature), 7°C DB/6°C WB (outdoor temperature).
- The total ability of a connected indoor unit is up to 11.0 kW.
- It is possible to connect the indoor unit for one room only.
- The above is the value for connecting with the following indoor units.
2.0, 2.5, 3.5, 5.0 kW class; wall mounted G series
6.0 kW class; wall mounted F series
- Capacities are based on the following conditions.
Corresponding refrigerant piping length: 5m
Level difference: 0m

4 Capacity tables

4 - 2 Cooling capacity tables

2MXS40G

★ Cooling (50Hz 230V)

Combination (Capacity)	outdoor air temp. °CDB	Indoor air temp.: °CWB												
		14.0°C		16.0°C		18.0°C		19.0°C		22.0°C		24.0°C		
		TC kW	PI kW	TC kW	PI kW	TC kW	PI kW	TC kW	PI kW	TC kW	PI kW	TC kW	PI kW	
2.0	10.0	2.68	0.42	2.79	0.43	2.90	0.44	2.96	0.45	3.12	0.46	3.24	0.47	
	12.0	2.64	0.43	2.75	0.44	2.86	0.45	2.91	0.46	3.08	0.47	3.19	0.48	
	15.0	2.57	0.45	2.68	0.46	2.79	0.47	2.85	0.47	3.01	0.49	3.12	0.50	
	18.0	2.50	0.46	2.61	0.47	2.72	0.48	2.78	0.49	2.95	0.50	3.06	0.51	
	20.0	2.46	0.47	2.57	0.48	2.68	0.49	2.74	0.50	2.90	0.51	3.01	0.52	
	22.0	2.41	0.48	2.52	0.49	2.64	0.50	2.69	0.51	2.86	0.52	2.97	0.53	
	25.0	2.35	0.50	2.46	0.51	2.57	0.52	2.62	0.53	2.79	0.54	2.90	0.55	
	28.0	2.28	0.52	2.39	0.53	2.50	0.54	2.56	0.54	2.72	0.56	2.83	0.57	
	32.0	2.19	0.55	2.30	0.56	2.41	0.57	2.47	0.57	2.63	0.58	2.74	0.59	
	35.0	2.12	0.57	2.23	0.58	2.34	0.59	2.40	0.59	2.57	0.60	2.68	0.61	
	40.0	2.01	0.60	2.12	0.61	2.23	0.62	2.29	0.63	2.45	0.64	2.56	0.65	
	43.0	1.94	0.63	2.06	0.64	2.17	0.65	2.22	0.65	2.39	0.66	2.50	0.67	
	46.0	1.88	0.65	1.99	0.66	2.10	0.67	2.15	0.67	2.32	0.69	2.43	0.70	
	2.5	10.0	3.22	0.56	3.49	0.60	3.63	0.62	3.70	0.62	3.91	0.64	4.04	0.66
		12.0	3.22	0.58	3.44	0.62	3.57	0.63	3.64	0.64	3.85	0.66	3.99	0.67
		15.0	3.21	0.62	3.35	0.64	3.49	0.65	3.56	0.66	3.77	0.67	3.90	0.69
18.0		3.13	0.64	3.27	0.66	3.41	0.67	3.47	0.68	3.68	0.70	3.82	0.71	
20.0		3.07	0.66	3.21	0.67	3.35	0.68	3.42	0.69	3.63	0.71	3.76	0.72	
22.0		3.02	0.67	3.16	0.69	3.29	0.70	3.36	0.71	3.57	0.73	3.71	0.74	
25.0		2.93	0.70	3.07	0.71	3.21	0.72	3.28	0.73	3.49	0.75	3.62	0.76	
28.0		2.85	0.72	2.99	0.74	3.13	0.75	3.20	0.76	3.40	0.78	3.54	0.79	
32.0		2.74	0.76	2.88	0.77	3.01	0.79	3.08	0.79	3.29	0.81	3.43	0.83	
35.0		2.65	0.79	2.79	0.80	2.93	0.81	3.00	0.82	3.21	0.84	3.35	0.85	
40.0		2.51	0.84	2.65	0.85	2.79	0.86	2.86	0.87	3.07	0.89	3.21	0.90	
43.0		2.43	0.87	2.57	0.88	2.71	0.90	2.78	0.90	2.98	0.92	3.12	0.94	
46.0		2.35	0.90	2.49	0.92	2.62	0.93	2.69	0.94	2.90	0.96	3.04	0.97	
3.5		10.0	3.29	0.67	4.04	0.85	4.84	1.06	4.93	1.07	5.21	1.10	5.39	1.13
		12.0	3.29	0.70	4.04	0.89	4.76	1.08	4.86	1.09	5.13	1.13	5.32	1.15
		15.0	3.29	0.74	4.04	0.95	4.65	1.12	4.75	1.13	5.02	1.16	5.21	1.18
	18.0	3.29	0.79	4.04	1.01	4.54	1.15	4.63	1.16	4.91	1.20	5.09	1.22	
	20.0	3.29	0.83	4.04	1.06	4.47	1.18	4.56	1.19	4.84	1.22	5.02	1.25	
	22.0	3.29	0.87	4.04	1.11	4.39	1.20	4.48	1.22	4.76	1.25	4.94	1.27	
	25.0	3.29	0.93	4.04	1.20	4.28	1.25	4.37	1.26	4.65	1.29	4.83	1.31	
	28.0	3.29	1.01	3.98	1.27	4.17	1.29	4.26	1.30	4.54	1.33	4.72	1.36	
	32.0	3.29	1.12	3.84	1.33	4.02	1.35	4.11	1.36	4.39	1.40	4.57	1.42	
	35.0	3.29	1.21	3.72	1.38	3.91	1.40	4.00	1.41	4.28	1.45	4.46	1.47	
	40.0	3.29	1.40	3.54	1.46	3.72	1.49	3.81	1.50	4.09	1.53	4.27	1.55	
	43.0	3.24	1.50	3.40	1.50	3.56	1.50	3.63	1.50	3.85	1.50	3.98	1.50	
	46.0	2.82	1.30	2.95	1.30	3.08	1.30	3.15	1.30	3.33	1.30	3.45	1.30	

Combination (Capacity)	outdoor air temp. °CDB	Indoor air temp.: °CWB												
		14.0°C		16.0°C		18.0°C		19.0°C		22.0°C		24.0°C		
		TC kW	PI kW	TC kW	PI kW	TC kW	PI kW	TC kW	PI kW	TC kW	PI kW	TC kW	PI kW	
2.0+2.0	10.0	4.58	0.81	4.77	0.83	4.96	0.85	5.05	0.86	5.34	0.89	5.53	0.90	
	12.0	4.51	0.83	4.69	0.85	4.88	0.87	4.98	0.88	5.26	0.90	5.45	0.92	
	15.0	4.39	0.86	4.58	0.88	4.77	0.89	4.86	0.90	5.15	0.93	5.34	0.95	
	18.0	4.28	0.89	4.47	0.91	4.65	0.92	4.75	0.93	5.03	0.96	5.22	0.98	
	20.0	4.20	0.91	4.39	0.93	4.58	0.94	4.67	0.95	4.96	0.98	5.14	1.00	
	22.0	4.12	0.93	4.31	0.95	4.50	0.96	4.60	0.97	4.88	1.00	5.07	1.02	
	25.0	4.01	0.96	4.20	0.98	4.39	1.00	4.48	1.01	4.77	1.03	4.95	1.05	
	28.0	3.90	1.00	4.08	1.02	4.27	1.03	4.37	1.04	4.65	1.07	4.84	1.09	
	32.0	3.74	1.05	3.93	1.06	4.12	1.08	4.21	1.09	4.50	1.12	4.69	1.14	
	35.0	3.63	1.09	3.82	1.10	4.01	1.12	4.10	1.13	4.38	1.16	4.57	1.18	
	40.0	3.44	1.16	3.63	1.17	3.81	1.19	3.91	1.20	4.19	1.23	4.38	1.25	
	43.0	3.32	1.20	3.51	1.22	3.70	1.24	3.79	1.24	4.08	1.27	4.27	1.29	
	46.0	3.21	1.25	3.40	1.26	3.59	1.28	3.68	1.29	3.93	1.30	4.08	1.30	
	2.0+2.5	10.0	4.69	0.86	4.89	0.88	5.08	0.89	5.18	0.90	5.47	0.93	5.66	0.95
		12.0	4.62	0.87	4.81	0.89	5.00	0.91	5.10	0.92	5.39	0.95	5.58	0.97
		15.0	4.50	0.90	4.69	0.92	4.89	0.94	4.98	0.95	5.27	0.98	5.47	1.00
18.0		4.38	0.93	4.57	0.95	4.77	0.97	4.86	0.98	5.16	1.01	5.35	1.03	
20.0		4.30	0.96	4.50	0.97	4.69	0.99	4.79	1.00	5.08	1.03	5.27	1.05	
22.0		4.22	0.98	4.42	1.00	4.61	1.02	4.71	1.03	5.00	1.05	5.19	1.07	
25.0		4.11	1.01	4.30	1.03	4.49	1.05	4.59	1.06	4.88	1.09	5.07	1.11	
28.0		3.99	1.05	4.18	1.07	4.38	1.09	4.47	1.10	4.76	1.13	4.96	1.15	
32.0		3.83	1.10	4.03	1.12	4.22	1.14	4.32	1.15	4.61	1.18	4.80	1.20	
35.0		3.72	1.14	3.91	1.16	4.10	1.18	4.20	1.19	4.49	1.22	4.68	1.24	
40.0		3.52	1.22	3.71	1.24	3.91	1.25	4.00	1.26	4.29	1.29	4.49	1.31	
43.0		3.40	1.26	3.60	1.28	3.79	1.30	3.89	1.31	4.18	1.34	4.37	1.36	
46.0		3.27	1.30	3.43	1.30	3.58	1.30	3.66	1.30	3.88	1.30	4.02	1.30	
2.0+3.5		10.0	4.92	0.94	5.12	0.96	5.32	0.98	5.42	0.99	5.73	1.03	5.93	1.05
		12.0	4.84	0.96	5.04	0.98	5.24	1.00	5.34	1.01	5.65	1.05	5.85	1.07
		15.0	4.71	0.99	4.92	1.02	5.12	1.04	5.22	1.05	5.52	1.08	5.73	1.10
	18.0	4.59	1.03	4.79	1.05	5.00	1.07	5.10	1.08	5.40	1.11	5.60	1.13	
	20.0	4.51	1.05	4.71	1.07	4.91	1.09	5.01	1.10	5.32	1.14	5.52	1.16	
	22.0	4.43	1.08	4.63	1.10	4.83	1.12	4.93	1.13	5.24	1.16	5.44	1.18	
	25.0	4.30	1.12	4.51	1.14	4.71	1.16	4.81	1.17	5.11	1.20	5.32	1.22	
	28.0	4.18	1.16	4.38	1.18	4.59	1.20	4.69	1.21	4.99	1.24	5.19	1.26	
	32.0	4.02	1.21	4.22	1.23	4.42	1.26	4.52	1.27	4.83	1.30	5.03	1.32	
	35.0	3.89	1.26	4.10	1.28	4.30	1.30	4.40	1.31	4.70	1.34	4.91	1.36	
	40.0	3.69	1.34	3.89	1.36	4.09	1.38	4.20	1.39	4.50	1.42	4.70	1.44	
	43.0	3.57	1.39	3.77	1.41	3.97	1.43	4.07	1.44	4.38	1.47	4.58	1.50	
	46.0	3.22	1.30	3.37	1.30	3.52	1.30	3.59	1.30	3.80	1.30	3.94	1.30	

3D055828A

SYMBOLS

TC: Total capacity (kW)
PI: Power input (kW)

NOTES

- Capacities are based on the following conditions.
Corresponding refrigerant piping length: 5m
Level difference: 0m
- The bold line **□** is indicated the standard condition.
- The above is the value for connecting with the following indoor units.
2.0, 2.5, 3.5 kW Class; wall mounted D,E(NW-S) series.

4 Capacity tables

4 - 2 Cooling capacity tables

2MXS40G

★ Cooling (50Hz 230V)

Combination (Capacity)	Outdoor air temp. °CDB	Indoor air temp.: °CWB											
		14.0°C		16.0°C		18.0°C		19.0°C		22.0°C		24.0°C	
		TC kW	PI kW	TC kW	PI kW	TC kW	PI kW	TC kW	PI kW	TC kW	PI kW	TC kW	PI kW
2.5+2.5	10.0	4.81	0.89	5.00	0.91	5.20	0.93	5.30	0.94	5.60	0.97	5.80	0.99
	12.0	4.73	0.91	4.92	0.93	5.12	0.95	5.22	0.96	5.52	0.99	5.72	1.01
	15.0	4.61	0.94	4.80	0.96	5.00	0.98	5.10	0.99	5.40	1.02	5.60	1.04
	18.0	4.49	0.97	4.68	0.99	4.88	1.01	4.98	1.02	5.28	1.05	5.48	1.07
	20.0	4.41	1.00	4.60	1.02	4.80	1.04	4.90	1.05	5.20	1.08	5.40	1.09
	22.0	4.33	1.02	4.52	1.04	4.72	1.06	4.82	1.07	5.12	1.10	5.32	1.12
	25.0	4.21	1.06	4.40	1.08	4.60	1.10	4.70	1.11	5.00	1.14	5.20	1.15
	28.0	4.09	1.09	4.28	1.11	4.48	1.13	4.58	1.14	4.88	1.17	5.08	1.19
	32.0	3.92	1.15	4.12	1.17	4.32	1.19	4.42	1.20	4.72	1.23	4.92	1.25
	35.0	3.80	1.19	4.00	1.21	4.20	1.23	4.30	1.24	4.60	1.27	4.80	1.29
	40.0	3.60	1.27	3.80	1.29	4.00	1.31	4.10	1.32	4.40	1.35	4.60	1.37
	43.0	3.48	1.32	3.68	1.34	3.88	1.36	3.98	1.37	4.28	1.40	4.47	1.42
	46.0	3.28	1.30	3.41	1.30	3.57	1.30	3.64	1.30	3.86	1.30	4.00	1.30
	2.5+3.5	10.0	5.03	0.97	5.24	0.99	5.44	1.01	5.55	1.03	5.86	1.06	6.07
12.0		4.95	0.99	5.15	1.01	5.36	1.04	5.46	1.05	5.77	1.08	5.98	1.10
15.0		4.82	1.02	5.03	1.05	5.23	1.07	5.34	1.08	5.65	1.11	5.86	1.13
18.0		4.69	1.06	4.90	1.08	5.11	1.10	5.21	1.11	5.52	1.15	5.73	1.17
20.0		4.61	1.08	4.82	1.11	5.02	1.13	5.13	1.14	5.44	1.17	5.65	1.19
22.0		4.53	1.11	4.73	1.13	4.94	1.15	5.04	1.16	5.36	1.20	5.56	1.22
25.0		4.40	1.15	4.61	1.17	4.82	1.19	4.92	1.20	5.23	1.24	5.44	1.26
28.0		4.28	1.19	4.48	1.21	4.69	1.23	4.79	1.25	5.10	1.28	5.31	1.30
32.0		4.11	1.25	4.31	1.27	4.52	1.29	4.63	1.30	4.94	1.34	5.14	1.36
35.0		3.98	1.30	4.19	1.32	4.40	1.34	4.50	1.35	4.81	1.38	5.02	1.41
40.0		3.77	1.38	3.98	1.40	4.19	1.42	4.29	1.43	4.60	1.47	4.81	1.49
43.0		3.65	1.43	3.85	1.45	4.06	1.48	4.16	1.49	4.44	1.50	4.60	1.50
46.0		3.23	1.30	3.38	1.30	3.53	1.30	3.60	1.30	3.81	1.30	3.95	1.30

3D055829A

SYMBOLS

TC: Total capacity (kW)
PI: Power input (kW)

NOTES

- Capacities are based on the following conditions.
Corresponding refrigerant piping length: 5m
Level difference: 0m
- The bold line **█** is indicated the standard condition.
- The above is the value for connecting with the following indoor units.
2.0, 2.5, 3.5 kW Class; wall mounted D, E (NW-S) series

4 Capacity tables

4 - 2 Cooling capacity tables

2MXS40G

★ Cooling (50Hz 230V)

Combination (Capacity)	Outdoor air temp. °CDB	Indoor air temp.: °CWB												
		14.0°C		16.0°C		18.0°C		19.0°C		22.0°C		24.0°C		
		TC kW	PI kW	TC kW	PI kW	TC kW	PI kW	TC kW	PI kW	TC kW	PI kW	TC kW	PI kW	
2.0	10.0	2.68	0.44	2.79	0.45	2.90	0.46	2.96	0.46	3.12	0.48	3.24	0.49	
	12.0	2.64	0.45	2.75	0.46	2.86	0.47	2.91	0.47	3.08	0.49	3.19	0.50	
	15.0	2.57	0.46	2.68	0.47	2.79	0.48	2.85	0.49	3.01	0.50	3.12	0.51	
	18.0	2.50	0.48	2.61	0.49	2.72	0.50	2.78	0.50	2.95	0.52	3.06	0.53	
	20.0	2.46	0.49	2.57	0.50	2.68	0.51	2.74	0.51	2.90	0.53	3.01	0.54	
	22.0	2.41	0.50	2.52	0.51	2.64	0.52	2.69	0.53	2.86	0.54	2.97	0.55	
	25.0	2.35	0.52	2.46	0.53	2.57	0.54	2.62	0.54	2.79	0.56	2.90	0.57	
	28.0	2.28	0.54	2.39	0.55	2.50	0.56	2.56	0.56	2.72	0.58	2.83	0.59	
	32.0	2.19	0.57	2.30	0.57	2.41	0.58	2.47	0.59	2.63	0.60	2.74	0.61	
	35.0	2.12	0.59	2.23	0.60	2.34	0.61	2.40	0.61	2.57	0.63	2.68	0.64	
	40.0	2.01	0.62	2.12	0.63	2.23	0.64	2.29	0.65	2.45	0.66	2.56	0.67	
	43.0	1.94	0.65	2.06	0.66	2.17	0.67	2.22	0.67	2.39	0.69	2.50	0.70	
	46.0	1.88	0.67	1.99	0.68	2.10	0.69	2.15	0.70	2.32	0.71	2.43	0.72	
	2.5	10.0	2.89	0.51	3.49	0.63	3.63	0.65	3.70	0.65	3.91	0.67	4.04	0.69
		12.0	2.89	0.54	3.44	0.65	3.57	0.66	3.64	0.67	3.85	0.69	3.99	0.70
		15.0	2.89	0.57	3.35	0.67	3.49	0.68	3.56	0.69	3.77	0.71	3.90	0.72
18.0		2.89	0.61	3.27	0.69	3.41	0.70	3.47	0.71	3.68	0.73	3.82	0.74	
20.0		2.89	0.64	3.21	0.70	3.35	0.72	3.42	0.72	3.63	0.75	3.76	0.76	
22.0		2.89	0.67	3.16	0.72	3.29	0.73	3.36	0.74	3.57	0.76	3.71	0.78	
25.0		2.89	0.72	3.07	0.75	3.21	0.76	3.28	0.77	3.49	0.79	3.62	0.80	
28.0		2.85	0.76	2.99	0.77	3.13	0.79	3.20	0.79	3.40	0.81	3.54	0.83	
32.0		2.74	0.80	2.88	0.81	3.01	0.82	3.08	0.83	3.29	0.85	3.43	0.87	
35.0		2.65	0.83	2.79	0.84	2.93	0.85	3.00	0.86	3.21	0.88	3.35	0.90	
40.0		2.51	0.88	2.65	0.89	2.79	0.91	2.86	0.91	3.07	0.93	3.21	0.95	
43.0		2.43	0.91	2.57	0.93	2.71	0.94	2.78	0.95	2.98	0.97	3.12	0.98	
46.0		2.35	0.95	2.49	0.96	2.62	0.98	2.69	0.98	2.90	1.00	3.04	1.02	
3.5		10.0	3.07	0.62	3.78	0.79	4.53	0.98	4.93	1.08	5.21	1.12	5.39	1.14
		12.0	3.07	0.65	3.78	0.82	4.53	1.02	4.86	1.11	5.13	1.14	5.32	1.17
		15.0	3.07	0.69	3.78	0.87	4.53	1.09	4.75	1.14	5.02	1.18	5.21	1.20
	18.0	3.07	0.73	3.78	0.93	4.53	1.16	4.63	1.18	4.91	1.21	5.09	1.24	
	20.0	3.07	0.77	3.78	0.97	4.47	1.19	4.56	1.21	4.84	1.24	5.02	1.26	
	22.0	3.07	0.80	3.78	1.02	4.39	1.22	4.48	1.23	4.76	1.27	4.94	1.29	
	25.0	3.07	0.86	3.78	1.10	4.28	1.26	4.37	1.27	4.65	1.31	4.83	1.33	
	28.0	3.07	0.92	3.78	1.18	4.17	1.31	4.26	1.32	4.54	1.35	4.72	1.38	
	32.0	3.07	1.02	3.78	1.31	4.02	1.37	4.11	1.38	4.39	1.42	4.57	1.44	
	35.0	3.07	1.11	3.72	1.40	3.91	1.42	4.00	1.43	4.28	1.47	4.46	1.49	
	40.0	3.07	1.27	3.54	1.49	3.72	1.51	3.81	1.52	4.09	1.55	4.27	1.58	
	43.0	3.07	1.39	3.38	1.50	3.53	1.50	3.60	1.50	3.81	1.50	3.95	1.50	
	46.0	2.80	1.30	2.93	1.30	3.06	1.30	3.12	1.30	3.31	1.30	3.43	1.30	

Combination (Capacity)	Outdoor air temp. °CDB	Indoor air temp.: °CWB												
		14.0°C		16.0°C		18.0°C		19.0°C		22.0°C		24.0°C		
		TC kW	PI kW	TC kW	PI kW	TC kW	PI kW	TC kW	PI kW	TC kW	PI kW	TC kW	PI kW	
2.0+2.0	10.0	4.58	0.84	4.77	0.86	4.96	0.88	5.05	0.89	5.34	0.92	5.53	0.94	
	12.0	4.51	0.86	4.69	0.88	4.88	0.90	4.98	0.91	5.26	0.93	5.45	0.95	
	15.0	4.39	0.89	4.58	0.91	4.77	0.93	4.86	0.93	5.15	0.96	5.34	0.98	
	18.0	4.28	0.92	4.47	0.94	4.65	0.96	4.75	0.97	5.03	0.99	5.22	1.01	
	20.0	4.20	0.94	4.39	0.96	4.58	0.98	4.67	0.99	4.96	1.01	5.14	1.03	
	22.0	4.12	0.96	4.31	0.98	4.50	1.00	4.60	1.01	4.88	1.04	5.07	1.06	
	25.0	4.01	1.00	4.20	1.01	4.39	1.03	4.48	1.04	4.77	1.07	4.95	1.09	
	28.0	3.90	1.03	4.08	1.05	4.27	1.07	4.37	1.08	4.65	1.11	4.84	1.13	
	32.0	3.74	1.08	3.93	1.10	4.12	1.12	4.21	1.13	4.50	1.16	4.69	1.18	
	35.0	3.63	1.12	3.82	1.14	4.01	1.16	4.10	1.17	4.38	1.20	4.57	1.22	
	40.0	3.44	1.20	3.63	1.22	3.81	1.23	3.91	1.24	4.19	1.27	4.38	1.29	
	43.0	3.32	1.24	3.51	1.26	3.70	1.28	3.79	1.29	4.08	1.32	4.27	1.34	
	46.0	3.21	1.29	3.39	1.30	3.54	1.30	3.61	1.30	3.83	1.30	3.98	1.30	
	2.0+2.5	10.0	4.69	0.87	4.89	0.89	5.08	0.91	5.18	0.92	5.47	0.95	5.66	0.97
		12.0	4.62	0.89	4.81	0.91	5.00	0.93	5.10	0.94	5.39	0.97	5.58	0.99
		15.0	4.50	0.92	4.69	0.94	4.89	0.96	4.98	0.97	5.27	1.00	5.47	1.02
18.0		4.38	0.95	4.57	0.97	4.77	0.99	4.86	1.00	5.16	1.03	5.35	1.05	
20.0		4.30	0.97	4.50	0.99	4.69	1.01	4.79	1.02	5.08	1.05	5.27	1.07	
22.0		4.22	0.99	4.42	1.01	4.61	1.03	4.71	1.04	5.00	1.07	5.19	1.09	
25.0		4.11	1.03	4.30	1.05	4.49	1.07	4.59	1.08	4.88	1.11	5.07	1.13	
28.0		3.99	1.07	4.18	1.09	4.38	1.11	4.47	1.12	4.76	1.15	4.96	1.16	
32.0		3.83	1.12	4.03	1.14	4.22	1.16	4.32	1.17	4.61	1.20	4.80	1.22	
35.0		3.72	1.16	3.91	1.18	4.10	1.20	4.20	1.21	4.49	1.24	4.68	1.26	
40.0		3.52	1.24	3.71	1.26	3.91	1.28	4.00	1.29	4.29	1.31	4.49	1.33	
43.0		3.40	1.28	3.60	1.30	3.79	1.32	3.89	1.33	4.18	1.36	4.37	1.38	
46.0		3.24	1.30	3.39	1.30	3.54	1.30	3.62	1.30	3.83	1.30	3.97	1.30	
2.0+3.5		10.0	4.92	0.97	5.12	0.99	5.32	1.01	5.42	1.03	5.73	1.06	5.93	1.08
		12.0	4.84	0.99	5.04	1.01	5.24	1.04	5.34	1.05	5.65	1.08	5.85	1.10
		15.0	4.71	1.02	4.92	1.05	5.12	1.07	5.22	1.08	5.52	1.11	5.73	1.13
	18.0	4.59	1.06	4.79	1.08	5.00	1.10	5.10	1.11	5.40	1.15	5.60	1.17	
	20.0	4.51	1.08	4.71	1.11	4.91	1.13	5.01	1.14	5.32	1.17	5.52	1.19	
	22.0	4.43	1.11	4.63	1.13	4.83	1.15	4.93	1.16	5.24	1.20	5.44	1.22	
	25.0	4.30	1.15	4.51	1.17	4.71	1.19	4.81	1.20	5.11	1.24	5.32	1.26	
	28.0	4.18	1.19	4.38	1.21	4.59	1.23	4.69	1.25	4.99	1.28	5.19	1.30	
	32.0	4.02	1.25	4.22	1.27	4.42	1.29	4.52	1.30	4.83	1.34	5.03	1.36	
	35.0	3.89	1.30	4.10	1.32	4.30	1.34	4.40	1.35	4.70	1.38	4.91	1.41	
	40.0	3.69	1.38	3.89	1.40	4.09	1.42	4.20	1.43	4.50	1.47	4.70	1.49	
	43.0	3.57	1.43	3.77	1.45	3.97	1.48	4.07	1.49	4.35	1.50	4.50	1.50	
	46.0	3.16	1.30	3.31	1.30	3.45	1.30	3.52	1.30	3.73	1.30	3.87	1.30	

3D055832A

SYMBOLS

TC: Total capacity (kW)
PI: Power input (kW)

NOTES

- Capacities are based on the following conditions.
Corresponding refrigerant piping length: 5m
Level difference: 0m
- The bold line **□** is indicated the standard condition.
- The above is the value for connecting with the following indoor units.
2.0, 2.5, 3.5 kW Class; wall mounted C, D (GMS5) series.

4 Capacity tables

4 - 2 Cooling capacity tables

2MXS40G

★ Cooling (50Hz 230V)

Combination (Capacity)	Outdoor air temp. °CDB	Indoor air temp.: °CWB												
		14.0°C		16.0°C		18.0°C		19.0°C		22.0°C		24.0°C		
		TC	PI	TC	PI	TC	PI	TC	PI	TC	PI	TC	PI	
3.5+5.0	10.0	4.81	0.92	5.00	0.94	5.20	0.96	5.30	0.97	5.60	1.00	5.80	1.02	
	12.0	4.73	0.94	4.92	0.96	5.12	0.98	5.22	0.99	5.52	1.02	5.72	1.04	
	15.0	4.61	0.97	4.80	0.99	5.00	1.01	5.10	1.02	5.40	1.05	5.60	1.07	
	18.0	4.49	1.00	4.68	1.03	4.88	1.05	4.98	1.06	5.28	1.09	5.48	1.11	
	20.0	4.41	1.03	4.60	1.05	4.80	1.07	4.90	1.08	5.20	1.11	5.40	1.13	
	22.0	4.33	1.05	4.52	1.07	4.72	1.09	4.82	1.10	5.12	1.13	5.32	1.15	
	25.0	4.21	1.09	4.40	1.11	4.60	1.13	4.70	1.14	5.00	1.17	5.20	1.19	
	28.0	4.09	1.13	4.28	1.15	4.48	1.17	4.58	1.18	4.88	1.21	5.08	1.23	
	32.0	3.92	1.19	4.12	1.21	4.32	1.23	4.42	1.24	4.72	1.27	4.92	1.29	
	35.0	3.80	1.23	4.00	1.25	4.20	1.27	4.30	1.28	4.60	1.31	4.80	1.33	
	40.0	3.60	1.31	3.80	1.33	4.00	1.35	4.10	1.36	4.40	1.39	4.60	1.41	
	43.0	3.48	1.36	3.68	1.38	3.88	1.40	3.98	1.41	4.28	1.44	4.47	1.46	
	46.0	3.19	1.30	3.34	1.30	3.49	1.30	3.56	1.30	3.78	1.30	3.91	1.30	
	2.5+3.5	10.0	5.03	1.01	5.24	1.04	5.44	1.06	5.55	1.07	5.86	1.10	6.07	1.13
		12.0	4.95	1.04	5.15	1.06	5.36	1.08	5.46	1.09	5.77	1.13	5.98	1.15
15.0		4.82	1.07	5.03	1.09	5.23	1.12	5.34	1.13	5.65	1.16	5.86	1.18	
18.0		4.69	1.11	4.90	1.13	5.11	1.15	5.21	1.16	5.52	1.20	5.73	1.22	
20.0		4.61	1.13	4.82	1.15	5.02	1.18	5.13	1.19	5.44	1.22	5.65	1.25	
22.0		4.53	1.16	4.73	1.18	4.94	1.20	5.04	1.22	5.36	1.25	5.56	1.27	
25.0		4.40	1.20	4.61	1.22	4.82	1.25	4.92	1.26	5.23	1.29	5.44	1.31	
28.0		4.28	1.24	4.48	1.27	4.69	1.29	4.79	1.30	5.10	1.33	5.31	1.36	
32.0		4.11	1.31	4.31	1.33	4.52	1.35	4.63	1.36	4.94	1.40	5.14	1.42	
35.0		3.98	1.36	4.19	1.38	4.40	1.40	4.50	1.41	4.81	1.45	5.02	1.47	
40.0		3.77	1.44	3.98	1.46	4.19	1.49	4.29	1.50	4.60	1.53	4.81	1.55	
43.0		3.65	1.50	3.83	1.50	4.00	1.50	4.08	1.50	4.32	1.50	4.47	1.50	
46.0		3.15	1.30	3.30	1.30	3.44	1.30	3.51	1.30	3.71	1.30	3.85	1.30	

3D055833A

SYMBOLS

TC: Total capacity (kW)
PI: Power input (kW)

NOTES

- Capacities are based on the following conditions.
Corresponding refrigerant piping length: 5m
Level difference: 0m
- The bold line **█** is indicated the standard condition.
- The above is the value for connecting with the following indoor units.
2.0, 2.5, 3.5 kW Class; wall mounted C, D(GMS5) series

4 Capacity tables

4 - 2 Cooling capacity tables

2MXS50G

★ Cooling (50Hz 230V)

Combination (Capacity)	Outdoor air temp. °CDB	Indoor air temp.: °CWB												
		14.0°C		16.0°C		18.0°C		19.0°C		22.0°C		24.0°C		
		TC kW	PI kW	TC kW	PI kW	TC kW	PI kW	TC kW	PI kW	TC kW	PI kW	TC kW	PI kW	
2.0	10.0	2.91	0.50	3.03	0.51	3.15	0.52	3.21	0.52	3.38	0.54	3.50	0.55	
	12.0	2.86	0.51	2.98	0.52	3.10	0.53	3.16	0.53	3.34	0.55	3.46	0.56	
	15.0	2.78	0.52	2.90	0.53	3.02	0.55	3.08	0.55	3.26	0.57	3.38	0.58	
	18.0	2.71	0.54	2.83	0.55	2.95	0.56	3.01	0.57	3.19	0.59	3.31	0.60	
	20.0	2.66	0.55	2.78	0.57	2.90	0.58	2.96	0.58	3.14	0.60	3.26	0.61	
	22.0	2.62	0.57	2.74	0.58	2.85	0.59	2.91	0.59	3.09	0.61	3.21	0.62	
	25.0	2.54	0.59	2.66	0.60	2.78	0.61	2.84	0.62	3.02	0.63	3.14	0.64	
	28.0	2.47	0.61	2.59	0.62	2.71	0.63	2.77	0.64	2.95	0.65	3.07	0.66	
	32.0	2.37	0.64	2.49	0.65	2.61	0.66	2.67	0.67	2.85	0.68	2.97	0.69	
	35.0	2.30	0.66	2.42	0.67	2.54	0.69	2.60	0.69	2.78	0.71	2.90	0.72	
	40.0	2.18	0.71	2.30	0.72	2.42	0.73	2.48	0.73	2.66	0.75	2.78	0.76	
	43.0	2.11	0.73	2.23	0.74	2.35	0.75	2.41	0.76	2.59	0.78	2.71	0.79	
	46.0	2.03	0.76	2.15	0.77	2.27	0.78	2.33	0.79	2.51	0.80	2.63	0.82	
	2.5	10.0	3.22	0.60	3.61	0.68	3.75	0.69	3.82	0.70	4.04	0.72	4.18	0.74
		12.0	3.22	0.63	3.55	0.69	3.69	0.71	3.76	0.71	3.98	0.73	4.12	0.75
		15.0	3.22	0.67	3.46	0.71	3.61	0.73	3.68	0.74	3.89	0.76	4.03	0.77
18.0		3.22	0.72	3.38	0.74	3.52	0.75	3.59	0.76	3.81	0.78	3.95	0.80	
20.0		3.18	0.74	3.32	0.75	3.46	0.77	3.53	0.78	3.75	0.80	3.89	0.81	
22.0		3.12	0.76	3.26	0.77	3.40	0.79	3.48	0.79	3.69	0.81	3.83	0.83	
25.0		3.03	0.78	3.17	0.80	3.32	0.81	3.39	0.82	3.60	0.84	3.75	0.86	
28.0		2.95	0.81	3.09	0.83	3.23	0.84	3.30	0.85	3.52	0.87	3.66	0.89	
32.0		2.83	0.85	2.97	0.87	3.12	0.88	3.19	0.89	3.40	0.91	3.54	0.93	
35.0		2.74	0.88	2.89	0.90	3.03	0.91	3.10	0.92	3.31	0.94	3.46	0.96	
40.0		2.60	0.94	2.74	0.96	2.88	0.97	2.96	0.98	3.17	1.00	3.31	1.01	
43.0		2.51	0.98	2.65	0.99	2.80	1.1	2.87	1.01	3.08	1.04	3.23	1.05	
46.0		2.43	1.01	2.57	1.03	2.71	1.04	2.78	1.05	3.00	1.07	3.14	1.09	
3.5		10.0	3.29	0.67	4.04	0.86	4.84	1.07	4.93	1.08	5.21	1.11	5.39	1.14
		12.0	3.29	0.70	4.04	0.89	4.76	1.09	4.86	1.10	5.13	1.13	5.32	1.16
		15.0	3.29	0.75	4.04	0.95	4.65	1.12	4.75	1.13	5.02	1.17	5.21	1.19
	18.0	3.29	0.80	4.04	1.02	4.54	1.16	4.63	1.17	4.91	1.21	5.09	1.23	
	20.0	3.29	0.84	4.04	1.07	4.47	1.19	4.56	1.20	4.84	1.23	5.02	1.25	
	22.0	3.29	0.88	4.04	1.12	4.39	1.21	4.48	1.22	4.76	1.26	4.94	1.28	
	25.0	3.29	0.94	4.04	1.21	4.28	1.25	4.37	1.27	4.65	1.30	4.83	1.32	
	28.0	3.29	1.01	3.98	1.28	4.17	1.30	4.26	1.31	4.54	1.34	4.72	1.37	
	32.0	3.29	1.12	3.84	1.34	4.2	1.36	4.11	1.37	4.39	1.41	4.57	1.43	
	35.0	3.29	1.22	3.72	1.39	3.91	1.41	4.00	1.42	4.28	1.46	4.46	1.48	
	40.0	3.29	1.41	3.54	1.47	3.72	1.50	3.81	1.51	4.09	1.54	4.27	1.57	
	43.0	3.24	1.51	3.43	1.53	3.61	1.55	3.70	1.56	3.98	1.60	4.16	1.62	
	46.0	3.13	1.56	3.31	1.59	3.50	1.61	3.59	1.62	3.87	1.66	4.05	1.68	

Combination (Capacity)	Outdoor air temp. °CDB	Indoor air temp.: °CWB												
		14.0°C		16.0°C		18.0°C		19.0°C		22.0°C		24.0°C		
		TC kW	PI kW	TC kW	PI kW	TC kW	PI kW	TC kW	PI kW	TC kW	PI kW	TC kW	PI kW	
5.0	10.0	4.00	0.91	4.91	1.18	5.89	1.51	6.29	1.85	6.84	1.70	6.87	1.73	
	12.0	4.00	0.95	4.91	1.23	5.89	1.58	6.19	1.88	6.54	1.73	6.78	1.77	
	15.0	4.00	1.01	4.91	1.32	5.89	1.69	6.05	1.73	6.40	1.79	6.64	1.82	
	18.0	4.00	1.08	4.91	1.41	5.79	1.77	5.91	1.79	6.26	1.84	6.49	1.88	
	20.0	4.00	1.13	4.91	1.48	5.69	1.81	5.81	1.83	6.16	1.88	6.40	1.92	
	22.0	4.00	1.19	4.91	1.56	5.60	1.85	5.72	1.87	6.07	1.92	6.30	1.96	
	25.0	4.00	1.28	4.91	1.69	5.46	1.92	5.57	1.93	5.93	1.99	6.16	2.02	
	28.0	4.00	1.38	4.91	1.83	5.31	1.98	5.43	2.00	5.78	2.05	6.02	2.09	
	32.0	4.00	1.54	4.89	2.04	5.12	2.08	5.24	2.10	5.59	2.15	5.83	2.18	
	35.0	4.00	1.68	4.75	2.12	4.98	2.15	5.10	2.17	5.45	2.22	5.68	2.25	
	40.0	4.00	1.95	4.51	2.25	4.72	2.25	4.82	2.25	5.12	2.25	5.32	2.25	
	43.0	4.00	2.16	4.32	2.25	4.53	2.25	4.63	2.25	4.93	2.25	5.13	2.25	
	46.0	3.94	2.25	4.16	2.25	4.36	2.25	4.46	2.25	4.76	2.25	4.96	2.25	
	2.0+2.0	10.0	5.48	1.10	5.70	1.13	5.93	1.15	6.04	1.16	6.38	1.20	6.61	1.25
		12.0	5.39	1.12	5.61	1.15	5.84	1.17	5.95	1.19	6.29	1.22	6.51	1.25
		15.0	5.25	1.16	5.47	1.19	5.70	1.21	5.81	1.22	6.15	1.26	6.38	1.28
18.0		5.11	1.20	5.34	1.23	5.56	1.25	5.68	1.26	6.01	1.30	6.24	1.32	
20.0		5.02	1.23	5.25	1.25	5.47	1.28	5.58	1.29	5.92	1.33	6.15	1.35	
22.0		4.93	1.26	5.15	1.28	5.38	1.31	5.49	1.32	5.83	1.36	6.06	1.38	
25.0		4.79	1.30	5.02	1.33	5.24	1.35	5.36	1.36	5.69	1.40	5.92	1.42	
28.0		4.66	1.35	4.88	1.37	5.11	1.40	5.22	1.41	5.56	1.45	5.78	1.47	
32.0		4.47	1.42	4.70	1.44	4.92	1.47	5.04	1.48	5.38	1.52	5.60	1.54	
35.0		4.34	1.47	4.56	1.49	4.79	1.52	4.90	1.53	5.24	1.57	5.46	1.59	
40.0		4.11	1.56	4.33	1.59	4.56	1.61	4.67	1.63	5.01	1.66	5.24	1.69	
43.0		3.97	1.62	4.20	1.65	4.42	1.67	4.53	1.69	4.87	1.72	5.10	1.75	
46.0		3.83	1.69	4.06	1.71	4.29	1.73	4.40	1.75	4.74	1.78	4.96	1.81	
2.0+2.5		10.0	5.59	1.15	5.82	1.18	6.05	1.20	6.16	1.22	6.51	1.25	6.74	1.28
		12.0	5.50	1.18	5.73	1.20	5.96	1.23	6.07	1.24	6.42	1.28	6.65	1.30
		15.0	5.36	1.21	5.59	1.24	5.82	1.27	5.93	1.28	6.28	1.32	6.51	1.34
	18.0	5.22	1.26	5.45	1.28	5.68	1.31	5.79	1.32	6.14	1.36	6.37	1.38	
	20.0	5.12	1.28	5.35	1.31	5.58	1.34	5.70	1.35	6.04	1.39	6.27	1.41	
	22.0	5.03	1.31	5.26	1.34	5.49	1.37	5.61	1.38	5.95	1.42	6.18	1.44	
	25.0	4.89	1.36	5.12	1.39	5.35	1.41	5.47	1.43	5.81	1.46	6.04	1.49	
	28.0	4.75	1.41	4.98	1.44	5.21	1.46	5.33	1.48	5.67	1.51	5.90	1.54	
	32.0	4.56	1.48	4.79	1.51	5.02	1.53	5.14	1.55	5.49	1.58	5.72	1.61	
	35.0	4.42	1.54	4.65	1.56	4.88	1.59	5.00	1.60	5.35	1.64	5.58	1.67	
	40.0	4.19	1.64	4.42	1.66	4.65	1.69	4.77	1.70	5.11	1.74	5.34	1.76	
	43.0	4.05	1.70	4.28	1.72	4.51	1.75	4.63	1.76	4.97	1.80	5.20	1.83	
	46.0	3.91	1.76	4.14	1.79	4.37	1.81	4.49	1.83	4.83	1.87	5.06	1.89	

3D057671A

SYMBOLS

TC: Total capacity (kW)
PI: Power input (kW)

NOTES

- Capacities are based on the following conditions.
Corresponding refrigerant piping length: 5m
Level difference: 0m
- The bold line **□** is indicated the standard condition.
- The above is the value for connecting with the following indoor units.
2.0, 2.5, 3.5, 5.0 kW Class; wall mounted D, E (NW-S) series.

4 Capacity tables

4 - 2 Cooling capacity tables

2MXS50G

★ Cooling (50Hz 230V)

Combination (Capacity)	outdoor air temp. °CDB	Indoor air temp.: °CWB											
		14.0°C		16.0°C		18.0°C		19.0°C		22.0°C		24.0°C	
		TC kW	PI kW	TC kW	PI kW	TC kW	PI kW	TC kW	PI kW	TC kW	PI kW	TC kW	PI kW
2.0+3.5	10.0	5.92	1.27	6.17	1.29	6.41	1.32	6.53	1.34	6.90	1.38	7.14	1.41
	12.0	5.82	1.29	6.07	1.32	6.31	1.35	6.44	1.36	6.80	1.41	7.05	1.43
	15.0	5.68	1.34	5.92	1.36	6.17	1.39	6.29	1.41	6.65	1.45	6.90	1.48
	18.0	5.53	1.38	5.77	1.41	6.02	1.44	6.14	1.45	6.51	1.49	6.75	1.52
	20.0	5.43	1.41	5.67	1.44	5.92	1.47	6.04	1.48	6.41	1.53	6.65	1.55
	22.0	5.33	1.45	5.58	1.47	5.82	1.50	5.94	1.52	6.31	1.56	6.55	1.59
	25.0	5.18	1.50	5.43	1.53	5.67	1.55	5.79	1.57	6.16	1.61	6.40	1.64
	28.0	5.04	1.55	5.28	1.58	5.52	1.61	5.65	1.62	6.01	1.67	6.26	1.69
	32.0	4.84	1.63	5.08	1.66	5.33	1.69	5.45	1.70	5.81	1.74	6.06	1.77
	35.0	4.69	1.69	4.93	1.72	5.18	1.75	5.30	1.76	5.67	1.80	5.91	1.83
	40.0	4.44	1.80	4.69	1.83	4.93	1.86	5.05	1.87	5.42	1.91	5.66	1.94
	43.0	4.29	1.87	4.54	1.90	4.78	1.92	4.91	1.94	5.27	1.98	5.52	2.01
	46.0	4.15	1.94	4.39	1.97	4.63	2.00	4.76	2.01	5.12	2.05	5.37	2.08
	2.0+5.0	10.0	6.04	1.24	6.28	1.27	6.53	1.29	6.66	1.31	7.03	1.35	7.28
12.0		5.93	1.26	6.18	1.29	6.43	1.32	6.56	1.33	6.93	1.37	7.18	1.40
15.0		5.78	1.31	6.03	1.33	6.28	1.36	6.41	1.37	6.78	1.42	7.03	1.44
18.0		5.63	1.35	5.88	1.38	6.13	1.41	6.25	1.42	6.63	1.46	6.88	1.49
20.0		5.53	1.38	5.78	1.41	6.03	1.44	6.15	1.45	6.53	1.49	6.78	1.52
22.0		5.43	1.41	5.68	1.44	5.93	1.47	6.05	1.48	6.43	1.52	6.68	1.55
25.0		5.28	1.46	5.53	1.49	5.78	1.52	5.90	1.53	6.28	1.57	6.52	1.60
28.0		5.13	1.52	5.38	1.55	5.63	1.57	5.75	1.59	6.13	1.63	6.37	1.66
32.0		4.93	1.59	5.18	1.62	5.43	1.65	5.55	1.66	5.92	1.70	6.17	1.73
35.0		4.78	1.65	5.03	1.68	5.28	1.71	5.40	1.72	5.77	1.76	6.02	1.79
40.0		4.53	1.76	4.78	1.79	5.02	1.81	5.15	1.83	5.52	1.87	5.77	1.90
43.0		4.38	1.83	4.62	1.85	4.87	1.88	5.00	1.89	5.37	1.94	5.62	1.96
46.0		4.22	1.90	4.47	1.92	4.72	1.95	4.85	1.96	5.22	2.01	5.47	2.03
2.5+2.5		10.0	5.81	1.23	6.05	1.26	6.29	1.29	6.41	1.30	6.77	1.34	7.01
	12.0	5.71	1.26	5.95	1.28	6.19	1.31	6.31	1.32	6.67	1.37	6.91	1.39
	15.0	5.57	1.30	5.81	1.33	6.05	1.35	6.17	1.37	6.53	1.41	6.77	1.43
	18.0	5.42	1.34	5.66	1.37	5.90	1.40	6.02	1.41	6.38	1.45	6.62	1.48
	20.0	5.33	1.37	5.57	1.40	5.81	1.43	5.93	1.44	6.29	1.48	6.53	1.51
	22.0	5.23	1.41	5.47	1.43	5.71	1.46	5.83	1.47	6.19	1.51	6.43	1.54
	25.0	5.09	1.46	5.32	1.48	5.56	1.51	5.68	1.52	6.04	1.57	6.28	1.59
	28.0	4.94	1.51	5.18	1.54	5.42	1.56	5.54	1.58	5.90	1.62	6.14	1.65
	32.0	4.75	1.58	4.99	1.61	5.23	1.64	5.35	1.65	5.70	1.69	5.94	1.72
	35.0	4.60	1.64	4.84	1.67	5.08	1.70	5.20	1.71	5.56	1.75	5.80	1.78
	40.0	4.36	1.75	4.60	1.78	4.84	1.80	4.96	1.82	5.32	1.86	5.56	1.89
	43.0	4.21	1.81	4.45	1.84	4.69	1.87	4.81	1.88	5.17	1.92	5.41	1.95
	46.0	4.07	1.88	4.31	1.91	4.55	1.94	4.67	1.95	5.03	1.99	5.27	2.02

Combination (Capacity)	outdoor air temp. °CDB	Indoor air temp.: °CWB											
		14.0°C		16.0°C		18.0°C		19.0°C		22.0°C		24.0°C	
		TC kW	PI kW	TC kW	PI kW	TC kW	PI kW	TC kW	PI kW	TC kW	PI kW	TC kW	PI kW
2.5+3.5	10.0	5.92	1.27	6.17	1.29	6.41	1.32	6.53	1.34	6.90	1.38	7.14	1.41
	12.0	5.82	1.29	6.07	1.32	6.31	1.35	6.44	1.36	6.80	1.41	7.05	1.43
	15.0	5.68	1.34	5.92	1.36	6.17	1.39	6.29	1.41	6.65	1.45	6.90	1.48
	18.0	5.53	1.38	5.77	1.41	6.02	1.44	6.14	1.45	6.51	1.49	6.75	1.52
	20.0	5.43	1.41	5.67	1.44	5.92	1.47	6.04	1.48	6.41	1.53	6.65	1.55
	22.0	5.33	1.45	5.58	1.47	5.82	1.50	5.94	1.52	6.31	1.56	6.55	1.59
	25.0	5.18	1.50	5.43	1.53	5.67	1.55	5.79	1.57	6.16	1.61	6.40	1.64
	28.0	5.04	1.55	5.28	1.58	5.52	1.61	5.65	1.62	6.01	1.67	6.26	1.69
	32.0	4.84	1.63	5.08	1.66	5.33	1.69	5.45	1.70	5.81	1.74	6.06	1.77
	35.0	4.69	1.69	4.93	1.72	5.18	1.75	5.30	1.76	5.67	1.80	5.91	1.83
	40.0	4.44	1.80	4.69	1.83	4.93	1.86	5.05	1.87	5.42	1.91	5.66	1.94
	43.0	4.29	1.87	4.54	1.90	4.78	1.92	4.91	1.94	5.27	1.98	5.52	2.01
	46.0	4.15	1.94	4.39	1.97	4.63	2.00	4.76	2.01	5.12	2.05	5.37	2.08
	2.5+5.0	10.0	6.04	1.24	6.28	1.27	6.53	1.30	6.66	1.31	7.03	1.35	7.28
12.0		5.93	1.27	6.18	1.30	6.43	1.33	6.56	1.34	6.93	1.38	7.18	1.41
15.0		5.78	1.31	6.03	1.34	6.28	1.37	6.41	1.38	6.78	1.42	7.03	1.45
18.0		5.63	1.36	5.88	1.39	6.13	1.41	6.25	1.43	6.63	1.47	6.88	1.50
20.0		5.53	1.39	5.78	1.42	6.03	1.44	6.15	1.46	6.53	1.50	6.78	1.53
22.0		5.43	1.42	5.68	1.45	5.93	1.48	6.05	1.49	6.43	1.53	6.68	1.56
25.0		5.28	1.47	5.53	1.50	5.78	1.53	5.90	1.54	6.28	1.58	6.52	1.61
28.0		5.13	1.53	5.38	1.55	5.63	1.58	5.75	1.60	6.13	1.64	6.37	1.66
32.0		4.93	1.60	5.18	1.62	5.43	1.66	5.55	1.67	5.92	1.71	6.17	1.74
35.0		4.78	1.66	5.03	1.69	5.28	1.72	5.40	1.73	5.77	1.77	6.02	1.80
40.0		4.53	1.77	4.78	1.80	5.02	1.82	5.15	1.84	5.52	1.88	5.77	1.91
43.0		4.38	1.84	4.62	1.86	4.87	1.89	5.00	1.91	5.37	1.95	5.62	1.97
46.0		4.22	1.91	4.47	1.93	4.72	1.96	4.85	1.98	5.22	2.02	5.47	2.04
3.5+3.5		10.0	5.92	1.24	6.17	1.27	6.41	1.29	6.53	1.31	6.90	1.35	7.14
	12.0	5.82	1.26	6.07	1.29	6.31	1.32	6.44	1.33	6.80	1.37	7.05	1.40
	15.0	5.68	1.31	5.92	1.33	6.17	1.36	6.29	1.37	6.65	1.42	6.90	1.44
	18.0	5.53	1.35	5.77	1.38	6.02	1.41	6.14	1.42	6.51	1.46	6.75	1.49
	20.0	5.43	1.38	5.67	1.41	5.92	1.44	6.04	1.45	6.41	1.49	6.65	1.52
	22.0	5.33	1.41	5.58	1.44	5.82	1.47	5.94	1.48	6.31	1.52	6.55	1.55
	25.0	5.18	1.46	5.43	1.49	5.67	1.52	5.79	1.53	6.16	1.57	6.40	1.60
	28.0	5.04	1.52	5.28	1.55	5.52	1.57	5.65	1.59	6.01	1.63	6.26	1.66
	32.0	4.84	1.59	5.08	1.62	5.33	1.65	5.45	1.66	5.81	1.70	6.06	1.73
	35.0	4.69	1.65	4.93	1.68	5.18	1.71	5.30	1.72	5.67	1.76	5.91	1.79
	40.0	4.44	1.76	4.69	1.79	4.93	1.81	5.05	1.83	5.42	1.87	5.66	1.90
	43.0	4.29	1.83	4.54	1.85	4.78	1.88	4.91	1.89	5.27	1.94	5.52	1.96
	46.0	4.15	1.90	4.39	1.92	4.63	1.95	4.76	1.96	5.12	2.01	5.37	2.03

3D057672A

SYMBOLS

TC: Total capacity (kW)
PI: Power input (kW)

NOTES

- Capacities are based on the following conditions.
Corresponding refrigerant piping length: 5m
Level difference: 0m
- The bold line **□** is indicated the standard condition.
- The above is the value for connecting with the following indoor units.
2.0, 2.5, 3.5, 5.0 kW Class; wall mounted D,E (NW-S) series

4 Capacity tables

4 - 2 Cooling capacity tables

2MXS50G

★ Cooling (50Hz 230V)

Combination (Capacity)	outdoor air temp. °CDB	Indoor air temp.: °CWB											
		14.0°C		16.0°C		18.0°C		19.0°C		22.0°C		24.0°C	
		TC kW	PI kW	TC kW	PI kW	TC kW	PI kW	TC kW	PI kW	TC kW	PI kW	TC kW	PI kW
3.5+5.0	10.0	6.04	1.22	6.28	1.25	6.53	1.28	6.66	1.29	7.03	1.33	7.28	1.39
	12.0	5.93	1.25	6.18	1.28	6.43	1.30	6.56	1.32	6.93	1.36	7.18	1.39
	15.0	5.78	1.29	6.03	1.32	6.28	1.34	6.41	1.36	6.78	1.40	7.03	1.43
	18.0	5.63	1.33	5.88	1.36	6.13	1.39	6.25	1.40	6.63	1.44	6.88	1.47
	20.0	5.53	1.37	5.78	1.39	6.03	1.42	6.15	1.43	6.53	1.47	6.78	1.50
	22.0	5.43	1.40	5.68	1.42	5.93	1.45	6.05	1.47	6.43	1.51	6.68	1.53
	25.0	5.28	1.45	5.53	1.47	5.78	1.50	5.90	1.52	6.28	1.56	6.52	1.58
	28.0	5.13	1.50	5.38	1.53	5.63	1.55	5.75	1.57	6.13	1.61	6.37	1.64
	32.0	4.93	1.57	5.18	1.60	5.43	1.63	5.55	1.64	5.92	1.68	6.17	1.71
	35.0	4.78	1.63	5.03	1.66	5.28	1.69	5.40	1.70	5.77	1.74	6.02	1.77
	40.0	4.53	1.74	4.78	1.77	5.02	1.79	5.15	1.81	5.52	1.85	5.77	1.87
	43.0	4.38	1.80	4.62	1.83	4.87	1.86	5.00	1.87	5.37	1.91	5.62	1.94
	46.0	4.22	1.87	4.47	1.90	4.72	1.93	4.85	1.94	5.22	1.98	5.47	2.01

3D057673A

SYMBOLS

TC: Total capacity (kW)
PI: Power input (kW)

NOTES

- Capacities are based on the following conditions.
Corresponding refrigerant piping length: 5m
Level difference: 0m
- The bold line **□** is indicated the standard condition.
- The above is the value for connecting with the following indoor units.
2.0, 2.5, 3.5, 5.0 kW Class; wall mounted D,E(NW-S) series.

1
4

4 Capacity tables

4 - 2 Cooling capacity tables

2MXS50G

★ Cooling (50Hz 230V)

Combination (Capacity)	outdoor air temp. °CDB	Indoor air temp.: °CWB											
		14.0°C		16.0°C		18.0°C		19.0°C		22.0°C		24.0°C	
		TC	PI	TC	PI	TC	PI	TC	PI	TC	PI	TC	PI
2.0	10.0	2.91	0.50	3.03	0.51	3.15	0.52	3.21	0.52	3.38	0.54	3.50	0.55
	12.0	2.86	0.51	2.98	0.52	3.10	0.53	3.16	0.53	3.34	0.55	3.46	0.56
	15.0	2.78	0.52	2.90	0.53	3.02	0.55	3.08	0.55	3.26	0.57	3.38	0.58
	18.0	2.71	0.54	2.83	0.55	2.95	0.56	3.01	0.57	3.19	0.59	3.31	0.60
	20.0	2.66	0.55	2.78	0.57	2.90	0.58	2.96	0.58	3.14	0.60	3.26	0.61
	22.0	2.62	0.57	2.74	0.58	2.85	0.59	2.91	0.59	3.09	0.61	3.21	0.62
	25.0	2.54	0.59	2.66	0.60	2.78	0.61	2.84	0.62	3.02	0.63	3.14	0.64
	28.0	2.47	0.61	2.59	0.62	2.71	0.63	2.77	0.64	2.95	0.65	3.07	0.66
	32.0	2.37	0.64	2.49	0.65	2.61	0.66	2.67	0.67	2.85	0.68	2.97	0.69
	35.0	2.30	0.66	2.42	0.67	2.54	0.69	2.60	0.69	2.78	0.71	2.90	0.72
	40.0	2.18	0.71	2.30	0.72	2.42	0.73	2.48	0.73	2.66	0.75	2.78	0.76
	43.0	2.11	0.73	2.23	0.74	2.35	0.75	2.41	0.76	2.59	0.78	2.71	0.79
	46.0	2.03	0.76	2.15	0.77	2.27	0.78	2.33	0.79	2.51	0.80	2.63	0.82
	2.5	10.0	3.22	0.60	3.61	0.68	3.75	0.69	3.82	0.70	4.04	0.72	4.18
12.0		3.22	0.63	3.55	0.69	3.69	0.71	3.76	0.71	3.98	0.73	4.12	0.75
15.0		3.22	0.67	3.46	0.71	3.61	0.73	3.68	0.74	3.89	0.76	4.03	0.77
18.0		3.22	0.72	3.38	0.74	3.52	0.75	3.59	0.76	3.81	0.78	3.95	0.80
20.0		3.18	0.74	3.32	0.75	3.46	0.77	3.53	0.78	3.75	0.80	3.89	0.81
22.0		3.12	0.76	3.26	0.77	3.40	0.79	3.48	0.79	3.69	0.81	3.83	0.83
25.0		3.03	0.78	3.17	0.80	3.32	0.81	3.39	0.82	3.60	0.84	3.75	0.86
28.0		2.95	0.81	3.09	0.83	3.23	0.84	3.30	0.85	3.52	0.87	3.66	0.89
32.0		2.83	0.85	2.97	0.87	3.12	0.88	3.19	0.89	3.40	0.91	3.54	0.93
35.0		2.74	0.88	2.89	0.90	3.03	0.91	3.10	0.92	3.31	0.94	3.46	0.96
40.0		2.60	0.94	2.74	0.96	2.88	0.97	2.96	0.98	3.17	1.00	3.31	1.01
43.0		2.51	0.98	2.65	0.99	2.80	1.01	2.87	1.01	3.08	1.04	3.23	1.05
46.0		2.43	1.01	2.57	1.03	2.71	1.04	2.78	1.05	3.00	1.07	3.14	1.09
3.5		10.0	3.29	0.67	4.04	0.86	4.84	1.07	4.93	1.08	5.21	1.11	5.39
	12.0	3.29	0.70	4.04	0.89	4.76	1.09	4.86	1.10	5.13	1.13	5.32	1.16
	15.0	3.29	0.75	4.04	0.95	4.65	1.12	4.75	1.13	5.02	1.17	5.21	1.19
	18.0	3.29	0.80	4.04	1.02	4.54	1.16	4.63	1.17	4.91	1.21	5.09	1.23
	20.0	3.29	0.84	4.04	1.07	4.47	1.19	4.56	1.20	4.84	1.23	5.02	1.25
	22.0	3.29	0.88	4.04	1.12	4.39	1.21	4.48	1.22	4.76	1.26	4.94	1.28
	25.0	3.29	0.94	4.04	1.21	4.28	1.25	4.37	1.27	4.65	1.30	4.83	1.32
	28.0	3.29	1.01	3.98	1.28	4.17	1.30	4.26	1.31	4.54	1.34	4.72	1.37
	32.0	3.29	1.12	3.84	1.34	4.02	1.36	4.11	1.37	4.39	1.41	4.57	1.43
	35.0	3.29	1.22	3.72	1.39	3.91	1.41	4.00	1.42	4.28	1.46	4.46	1.48
	40.0	3.29	1.41	3.54	1.47	3.72	1.50	3.81	1.51	4.09	1.54	4.27	1.57
	43.0	3.24	1.51	3.43	1.53	3.61	1.55	3.70	1.56	3.98	1.60	4.16	1.62
	46.0	3.13	1.56	3.31	1.59	3.50	1.61	3.59	1.62	3.87	1.66	4.05	1.68

Combination (Capacity)	outdoor air temp. °CDB	Indoor air temp.: °CWB											
		14.0°C		16.0°C		18.0°C		19.0°C		22.0°C		24.0°C	
		TC	PI	TC	PI	TC	PI	TC	PI	TC	PI	TC	PI
4.2	10.0	3.29	0.67	4.04	0.86	4.85	1.20	5.28	1.34	6.12	1.61	6.34	1.64
	12.0	3.29	0.70	4.04	0.89	4.85	1.25	5.28	1.40	6.03	1.64	6.25	1.67
	15.0	3.29	0.75	4.04	0.95	4.85	1.33	5.28	1.49	5.90	1.69	6.12	1.72
	18.0	3.29	0.80	4.04	1.02	4.85	1.43	5.28	1.60	5.77	1.74	5.99	1.77
	20.0	3.29	0.84	4.04	1.07	4.85	1.50	5.28	1.68	5.68	1.78	5.90	1.81
	22.0	3.29	0.88	4.04	1.12	4.85	1.58	5.27	1.77	5.59	1.82	5.81	1.85
	25.0	3.29	0.94	4.04	1.21	4.85	1.70	5.14	1.83	5.46	1.88	5.68	1.91
	28.0	3.29	1.01	4.04	1.44	4.85	1.84	5.01	1.89	5.33	1.94	5.55	1.97
	32.0	3.29	1.12	4.04	1.60	4.72	1.96	4.83	1.98	5.16	2.03	5.37	2.06
	35.0	3.29	1.22	4.04	1.74	4.59	2.04	4.70	2.05	5.02	2.10	5.24	2.13
	40.0	3.29	1.41	4.04	2.02	4.37	2.16	4.48	2.18	4.81	2.23	5.01	2.25
	43.0	3.29	1.67	4.03	2.21	4.24	2.24	4.35	2.25	4.64	2.25	4.82	2.25
	46.0	3.29	1.84	3.88	2.55	4.08	2.25	4.18	2.25	4.47	2.25	4.65	2.25
	5.0	10.0	4.00	0.91	4.91	1.18	5.89	1.51	6.29	1.65	6.64	1.70	6.87
12.0		4.00	0.95	4.91	1.23	5.89	1.58	6.19	1.68	6.54	1.73	6.78	1.77
15.0		4.00	1.01	4.91	1.32	5.89	1.69	6.05	1.73	6.40	1.79	6.64	1.82
18.0		4.00	1.08	4.91	1.41	5.79	1.77	5.91	1.79	6.26	1.84	6.49	1.88
20.0		4.00	1.13	4.91	1.48	5.69	1.81	5.81	1.83	6.16	1.88	6.40	1.92
22.0		4.00	1.19	4.91	1.56	5.60	1.85	5.72	1.87	6.07	1.92	6.30	1.96
25.0		4.00	1.28	4.91	1.69	5.46	1.92	5.57	1.93	5.93	1.99	6.16	2.02
28.0		4.00	1.38	4.91	1.83	5.31	1.98	5.43	2.00	5.78	2.05	6.02	2.09
32.0		4.00	1.54	4.89	2.04	5.12	2.08	5.24	2.10	5.59	2.15	5.83	2.18
35.0		4.00	1.68	4.75	2.12	4.98	2.15	5.10	2.17	5.45	2.22	5.68	2.25
40.0		4.00	1.95	4.51	2.25	4.72	2.25	4.82	2.25	5.12	2.25	5.32	2.25
43.0		4.00	2.16	4.32	2.25	4.53	2.25	4.63	2.25	4.93	2.25	5.13	2.25
46.0		3.94	2.25	4.16	2.25	4.36	2.25	4.46	2.25	4.76	2.25	4.96	2.25
2.0+2.0		10.0	5.48	1.10	5.70	1.13	5.93	1.15	6.04	1.16	6.38	1.20	6.61
	12.0	5.39	1.12	5.61	1.15	5.84	1.17	5.95	1.19	6.29	1.22	6.51	1.25
	15.0	5.25	1.16	5.47	1.19	5.70	1.21	5.81	1.22	6.15	1.26	6.38	1.28
	18.0	5.11	1.20	5.34	1.23	5.56	1.25	5.68	1.26	6.01	1.30	6.24	1.32
	20.0	5.02	1.23	5.25	1.25	5.47	1.28	5.58	1.29	5.92	1.33	6.15	1.35
	22.0	4.93	1.26	5.15	1.28	5.38	1.31	5.49	1.32	5.83	1.36	6.06	1.38
	25.0	4.79	1.30	5.02	1.33	5.24	1.35	5.36	1.36	5.69	1.40	5.92	1.42
	28.0	4.66	1.35	4.88	1.37	5.11	1.40	5.22	1.41	5.56	1.45	5.78	1.47
	32.0	4.47	1.42	4.70	1.44	4.92	1.47	5.04	1.48	5.38	1.52	5.60	1.54
	35.0	4.34	1.47	4.56	1.49	4.79	1.52	4.90	1.53	5.24	1.57	5.46	1.59
	40.0	4.11	1.56	4.33	1.59	4.56	1.61	4.67	1.63	5.01	1.66	5.24	1.69
	43.0	3.97	1.62	4.20	1.65	4.42	1.67	4.53	1.69	4.87	1.72	5.10	1.75
	46.0	3.83	1.69	4.06	1.71	4.29	1.73	4.40	1.75	4.74	1.78	4.96	1.81

3D059192

SYMBOLS

TC: Total capacity (kW)
PI: Power input (kW)

NOTES

- Capacities are based on the following conditions.
Corresponding refrigerant piping length: 5m
Level difference: 0m
- The bold line **█** is indicated the standard condition.
- The above is the value for connecting with the following indoor units.
2.0, 2.5, 3.5, 4.2, 5.0 kW Class; wall mounted G series.

4 Capacity tables

4 - 2 Cooling capacity tables

2MXS50G

★ Cooling (50Hz 230V)

Combination (Capacity)	outdoor air temp. °CDB	Indoor air temp.: °CWB												
		14.0°C		16.0°C		18.0°C		19.0°C		22.0°C		24.0°C		
		TC kW	PI kW	TC kW	PI kW	TC kW	PI kW	TC kW	PI kW	TC kW	PI kW	TC kW	PI kW	
2.0+2.5	10.0	5.59	1.15	5.82	1.18	6.05	1.20	6.16	1.22	6.51	1.25	6.74	1.28	
	12.0	5.50	1.18	5.73	1.20	5.96	1.23	6.07	1.24	6.42	1.28	6.65	1.30	
	15.0	5.36	1.21	5.59	1.24	5.82	1.27	5.93	1.28	6.28	1.32	6.51	1.34	
	18.0	5.22	1.26	5.45	1.28	5.68	1.31	5.79	1.32	6.14	1.36	6.37	1.38	
	20.0	5.12	1.28	5.35	1.31	5.58	1.34	5.70	1.35	6.04	1.39	6.27	1.41	
	22.0	5.03	1.31	5.26	1.34	5.49	1.37	5.61	1.38	5.95	1.42	6.18	1.44	
	25.0	4.89	1.36	5.12	1.39	5.35	1.41	5.47	1.43	5.81	1.46	6.04	1.49	
	28.0	4.75	1.41	4.98	1.44	5.21	1.46	5.33	1.48	5.67	1.51	5.90	1.54	
	32.0	4.56	1.48	4.79	1.51	5.02	1.53	5.14	1.55	5.49	1.58	5.72	1.61	
	35.0	4.42	1.54	4.65	1.56	4.88	1.59	5.00	1.60	5.35	1.64	5.58	1.67	
	40.0	4.19	1.64	4.42	1.66	4.65	1.69	4.77	1.70	5.11	1.74	5.34	1.76	
	43.0	4.05	1.70	4.28	1.72	4.51	1.75	4.63	1.76	4.97	1.80	5.20	1.83	
	46.0	3.91	1.76	4.14	1.79	4.37	1.81	4.49	1.83	4.83	1.87	5.06	1.89	
	2.0+3.5	10.0	5.92	1.27	6.17	1.29	6.41	1.32	6.53	1.34	6.90	1.38	7.14	1.41
		12.0	5.82	1.29	6.07	1.32	6.31	1.35	6.44	1.36	6.80	1.41	7.05	1.43
		15.0	5.68	1.34	5.92	1.36	6.17	1.39	6.29	1.41	6.65	1.45	6.90	1.48
18.0		5.53	1.38	5.77	1.41	6.02	1.44	6.14	1.45	6.51	1.49	6.75	1.52	
20.0		5.43	1.41	5.67	1.44	5.92	1.47	6.04	1.48	6.41	1.53	6.65	1.55	
22.0		5.33	1.45	5.58	1.47	5.82	1.50	5.94	1.52	6.31	1.56	6.55	1.59	
25.0		5.18	1.50	5.43	1.53	5.67	1.55	5.79	1.57	6.16	1.61	6.40	1.64	
28.0		5.04	1.55	5.28	1.58	5.52	1.61	5.65	1.62	6.01	1.67	6.26	1.69	
32.0		4.84	1.63	5.08	1.66	5.33	1.69	5.45	1.70	5.81	1.74	6.06	1.77	
35.0		4.69	1.69	4.93	1.72	5.18	1.75	5.30	1.76	5.67	1.80	5.91	1.83	
40.0		4.44	1.80	4.69	1.83	4.93	1.86	5.05	1.87	5.42	1.91	5.66	1.94	
43.0		4.29	1.87	4.54	1.90	4.78	1.92	4.91	1.94	5.27	1.98	5.52	2.01	
46.0		4.15	1.94	4.39	1.97	4.63	2.00	4.76	2.01	5.12	2.05	5.37	2.08	
2.0+4.2		10.0	6.04	1.30	6.28	1.32	6.53	1.35	6.66	1.37	7.03	1.41	7.28	1.44
		12.0	5.93	1.32	6.18	1.35	6.43	1.38	6.56	1.39	6.93	1.44	7.18	1.47
		15.0	5.78	1.37	6.03	1.40	6.28	1.42	6.41	1.44	6.78	1.48	7.03	1.51
	18.0	5.63	1.41	5.88	1.44	6.13	1.47	6.25	1.48	6.63	1.53	6.88	1.56	
	20.0	5.53	1.45	5.78	1.47	6.03	1.50	6.15	1.52	6.53	1.56	6.78	1.59	
	22.0	5.43	1.48	5.68	1.51	5.93	1.54	6.05	1.55	6.43	1.59	6.68	1.62	
	25.0	5.28	1.53	5.53	1.56	5.78	1.59	5.90	1.60	6.28	1.65	6.52	1.68	
	28.0	5.13	1.59	5.38	1.62	5.63	1.65	5.75	1.66	6.13	1.70	6.37	1.73	
	32.0	4.93	1.67	5.18	1.70	5.43	1.72	5.55	1.74	5.92	1.78	6.17	1.81	
	35.0	4.78	1.73	5.03	1.76	5.28	1.79	5.40	1.80	5.77	1.85	6.02	1.87	
	40.0	4.53	1.84	4.78	1.87	5.02	1.90	5.15	1.91	5.52	1.96	5.77	1.98	
	43.0	4.38	1.91	4.62	1.94	4.87	1.97	5.00	1.98	5.37	2.03	5.62	2.05	
	46.0	4.22	1.98	4.47	2.01	4.72	2.04	4.85	2.06	5.22	2.10	5.47	2.13	

Combination (Capacity)	outdoor air temp. °CDB	Indoor air temp.: °CWB												
		14.0°C		16.0°C		18.0°C		19.0°C		22.0°C		24.0°C		
		TC kW	PI kW	TC kW	PI kW	TC kW	PI kW	TC kW	PI kW	TC kW	PI kW	TC kW	PI kW	
2.0+5.0	10.0	6.04	1.24	6.28	1.27	6.53	1.29	6.66	1.31	7.03	1.35	7.28	1.40	
	12.0	5.93	1.26	6.18	1.29	6.43	1.32	6.56	1.33	6.93	1.37	7.18	1.40	
	15.0	5.78	1.31	6.03	1.33	6.28	1.36	6.41	1.37	6.78	1.42	7.03	1.44	
	18.0	5.63	1.35	5.88	1.38	6.13	1.41	6.25	1.42	6.63	1.46	6.88	1.49	
	20.0	5.53	1.38	5.78	1.41	6.03	1.44	6.15	1.45	6.53	1.49	6.78	1.52	
	22.0	5.43	1.41	5.68	1.44	5.93	1.47	6.05	1.48	6.43	1.52	6.68	1.55	
	25.0	5.28	1.46	5.53	1.49	5.78	1.52	5.90	1.53	6.28	1.57	6.52	1.60	
	28.0	5.13	1.52	5.38	1.55	5.63	1.57	5.75	1.59	6.13	1.63	6.37	1.66	
	32.0	4.93	1.59	5.18	1.62	5.43	1.65	5.55	1.66	5.92	1.70	6.17	1.73	
	35.0	4.78	1.65	5.03	1.68	5.28	1.71	5.40	1.72	5.77	1.76	6.02	1.79	
	40.0	4.53	1.76	4.78	1.79	5.02	1.81	5.15	1.83	5.52	1.87	5.77	1.90	
	43.0	4.38	1.83	4.62	1.85	4.87	1.88	5.00	1.89	5.37	1.94	5.62	1.96	
	46.0	4.22	1.90	4.47	1.92	4.72	1.95	4.85	1.96	5.22	2.01	5.47	2.03	
	2.5+2.5	10.0	5.81	1.23	6.05	1.26	6.29	1.29	6.41	1.30	6.77	1.34	7.01	1.37
		12.0	5.71	1.26	5.95	1.28	6.19	1.31	6.31	1.32	6.67	1.37	6.91	1.39
		15.0	5.57	1.30	5.81	1.33	6.05	1.35	6.17	1.37	6.53	1.41	6.77	1.43
18.0		5.42	1.34	5.66	1.37	5.90	1.40	6.02	1.41	6.38	1.45	6.62	1.48	
20.0		5.33	1.37	5.57	1.40	5.81	1.43	5.93	1.44	6.29	1.48	6.53	1.51	
22.0		5.23	1.41	5.47	1.43	5.71	1.46	5.83	1.47	6.19	1.51	6.43	1.54	
25.0		5.09	1.46	5.32	1.48	5.56	1.51	5.68	1.52	6.04	1.57	6.28	1.59	
28.0		4.94	1.51	5.18	1.54	5.42	1.56	5.54	1.58	5.90	1.62	6.14	1.65	
32.0		4.75	1.58	4.99	1.61	5.23	1.64	5.35	1.65	5.70	1.69	5.94	1.72	
35.0		4.60	1.64	4.84	1.67	5.08	1.70	5.20	1.71	5.56	1.75	5.80	1.78	
40.0		4.36	1.75	4.60	1.78	4.84	1.80	4.96	1.82	5.32	1.86	5.56	1.89	
43.0		4.21	1.81	4.45	1.84	4.69	1.87	4.81	1.88	5.17	1.92	5.41	1.95	
46.0		4.07	1.88	4.31	1.91	4.55	1.94	4.67	1.95	5.03	1.99	5.27	2.02	
2.5+3.5		10.0	5.92	1.27	6.17	1.29	6.41	1.32	6.53	1.34	6.90	1.38	7.14	1.41
		12.0	5.82	1.29	6.07	1.32	6.31	1.35	6.44	1.36	6.80	1.41	7.05	1.43
		15.0	5.68	1.34	5.92	1.36	6.17	1.39	6.29	1.41	6.65	1.45	6.90	1.48
	18.0	5.53	1.38	5.77	1.41	6.02	1.44	6.14	1.45	6.51	1.49	6.75	1.52	
	20.0	5.43	1.41	5.67	1.44	5.92	1.47	6.04	1.48	6.41	1.53	6.65	1.55	
	22.0	5.33	1.45	5.58	1.47	5.82	1.50	5.94	1.52	6.31	1.56	6.55	1.59	
	25.0	5.18	1.50	5.43	1.53	5.67	1.55	5.79	1.57	6.16	1.61	6.40	1.64	
	28.0	5.04	1.55	5.28	1.58	5.52	1.61	5.65	1.62	6.01	1.67	6.26	1.69	
	32.0	4.84	1.63	5.08	1.66	5.33	1.69	5.45	1.70	5.81	1.74	6.06	1.77	
	35.0	4.69	1.69	4.93	1.72	5.18	1.75	5.30	1.76	5.67	1.80	5.91	1.83	
	40.0	4.44	1.80	4.69	1.83	4.93	1.86	5.05	1.87	5.42	1.91	5.66	1.94	
	43.0	4.29	1.87	4.54	1.90	4.78	1.92	4.91	1.94	5.27	1.98	5.52	2.01	
	46.0	4.15	1.94	4.39	1.97	4.63	2.00	4.76	2.01	5.12	2.05	5.37	2.08	

3D059193

SYMBOLS

TC: Total capacity (kW)
PI: Power input (kW)

NOTES

- Capacities are based on the following conditions.
Corresponding refrigerant piping length: 5m
Level difference: 0m
- The bold line **□** is indicated the standard condition.
- The above is the value for connecting with the following indoor units.
2.0, 2.5, 3.5, 4.2, 5.0 kW Class; wall mounted G series.



4 Capacity tables

4 - 2 Cooling capacity tables

2MXS50G

★ Cooling (50Hz 230V)

Combination (Capacity)	outdoor air temp. °CDB	Indoor air temp.: °CWB											
		14.0°C		16.0°C		18.0°C		19.0°C		22.0°C		24.0°C	
		TC	PI	TC	PI	TC	PI	TC	PI	TC	PI	TC	PI
2.5+4.2	10.0	6.04	1.30	6.28	1.32	6.53	1.35	6.66	1.37	7.03	1.41	7.28	1.44
	12.0	5.93	1.32	6.18	1.35	6.43	1.38	6.56	1.39	6.93	1.44	7.18	1.47
	15.0	5.78	1.37	6.03	1.40	6.28	1.42	6.41	1.44	6.78	1.48	7.03	1.51
	18.0	5.63	1.41	5.88	1.44	6.13	1.47	6.25	1.48	6.63	1.53	6.88	1.56
	20.0	5.53	1.45	5.78	1.47	6.03	1.50	6.15	1.52	6.53	1.56	6.78	1.59
	22.0	5.43	1.48	5.68	1.51	5.93	1.54	6.05	1.55	6.43	1.59	6.68	1.62
	25.0	5.28	1.53	5.53	1.56	5.78	1.59	5.90	1.60	6.28	1.65	6.52	1.68
	28.0	5.13	1.59	5.38	1.62	5.63	1.65	5.75	1.66	6.13	1.70	6.37	1.73
	32.0	4.93	1.67	5.18	1.70	5.43	1.72	5.55	1.74	5.92	1.78	6.17	1.81
	35.0	4.78	1.73	5.03	1.76	5.28	1.79	5.40	1.80	5.77	1.85	6.02	1.87
	40.0	4.53	1.84	4.78	1.87	5.02	1.90	5.15	1.91	5.52	1.96	5.77	1.98
	43.0	4.38	1.91	4.62	1.94	4.87	1.97	5.00	1.98	5.37	2.03	5.62	2.05
	46.0	4.22	1.98	4.47	2.01	4.72	2.04	4.85	2.06	5.22	2.10	5.47	2.13
	2.5+5.0	10.0	6.04	1.24	6.28	1.27	6.53	1.30	6.66	1.31	7.03	1.36	7.28
12.0		5.93	1.27	6.18	1.30	6.43	1.33	6.56	1.34	6.93	1.38	7.18	1.41
15.0		5.78	1.31	6.03	1.34	6.28	1.37	6.41	1.38	6.78	1.42	7.03	1.45
18.0		5.63	1.36	5.88	1.39	6.13	1.41	6.25	1.43	6.63	1.47	6.88	1.50
20.0		5.53	1.39	5.78	1.42	6.03	1.44	6.15	1.46	6.53	1.50	6.78	1.53
22.0		5.43	1.42	5.68	1.45	5.93	1.48	6.05	1.49	6.43	1.53	6.68	1.56
25.0		5.28	1.47	5.53	1.50	5.78	1.53	5.90	1.54	6.28	1.58	6.52	1.61
28.0		5.13	1.53	5.38	1.55	5.63	1.58	5.75	1.60	6.13	1.64	6.37	1.66
32.0		4.93	1.60	5.18	1.63	5.43	1.66	5.55	1.67	5.92	1.71	6.17	1.74
35.0		4.78	1.66	5.03	1.69	5.28	1.72	5.40	1.73	5.77	1.77	6.02	1.80
40.0		4.53	1.77	4.78	1.80	5.02	1.82	5.15	1.84	5.52	1.88	5.77	1.91
43.0		4.38	1.84	4.62	1.86	4.87	1.89	5.00	1.91	5.37	1.95	5.62	1.97
46.0		4.22	1.91	4.47	1.93	4.72	1.96	4.85	1.98	5.22	2.02	5.47	2.04
3.5+3.5		10.0	5.92	1.24	6.17	1.27	6.41	1.29	6.53	1.31	6.90	1.35	7.14
	12.0	5.82	1.26	6.07	1.29	6.31	1.32	6.44	1.33	6.80	1.37	7.05	1.40
	15.0	5.68	1.31	5.92	1.33	6.17	1.36	6.29	1.37	6.65	1.42	6.90	1.44
	18.0	5.53	1.35	5.77	1.38	6.02	1.41	6.14	1.42	6.51	1.46	6.75	1.49
	20.0	5.43	1.38	5.67	1.41	5.92	1.44	6.04	1.45	6.41	1.49	6.65	1.52
	22.0	5.33	1.41	5.58	1.44	5.82	1.47	5.94	1.48	6.31	1.52	6.55	1.55
	25.0	5.18	1.46	5.43	1.49	5.67	1.52	5.79	1.53	6.16	1.57	6.40	1.60
	28.0	5.04	1.52	5.28	1.55	5.52	1.57	5.65	1.59	6.01	1.63	6.26	1.66
	32.0	4.84	1.59	5.08	1.62	5.33	1.65	5.45	1.66	5.81	1.70	6.06	1.73
	35.0	4.69	1.65	4.93	1.68	5.18	1.71	5.30	1.72	5.67	1.76	5.91	1.79
	40.0	4.44	1.76	4.69	1.79	4.93	1.81	5.05	1.83	5.42	1.87	5.66	1.90
	43.0	4.29	1.83	4.54	1.85	4.78	1.88	4.91	1.89	5.27	1.94	5.52	1.96
	46.0	4.15	1.90	4.39	1.92	4.63	1.95	4.76	1.96	5.12	2.01	5.37	2.03

Combination (Capacity)	outdoor air temp. °CDB	Indoor air temp.: °CWB											
		14.0°C		16.0°C		18.0°C		19.0°C		22.0°C		24.0°C	
		TC	PI	TC	PI	TC	PI	TC	PI	TC	PI	TC	PI
3.5+4.2	10.0	6.04	1.27	6.28	1.30	6.53	1.33	6.66	1.34	7.03	1.39	7.28	1.42
	12.0	5.93	1.30	6.18	1.33	6.43	1.36	6.56	1.37	6.93	1.41	7.18	1.44
	15.0	5.78	1.34	6.03	1.37	6.28	1.40	6.41	1.41	6.78	1.46	7.03	1.49
	18.0	5.63	1.39	5.88	1.42	6.13	1.45	6.25	1.46	6.63	1.50	6.88	1.53
	20.0	5.53	1.42	5.78	1.45	6.03	1.48	6.15	1.49	6.53	1.53	6.78	1.56
	22.0	5.43	1.45	5.68	1.48	5.93	1.51	6.05	1.53	6.43	1.57	6.68	1.60
	25.0	5.28	1.51	5.53	1.54	5.78	1.56	5.90	1.58	6.28	1.62	6.52	1.65
	28.0	5.13	1.56	5.38	1.59	5.63	1.62	5.75	1.63	6.13	1.68	6.37	1.70
	32.0	4.93	1.64	5.18	1.67	5.43	1.70	5.55	1.71	5.92	1.75	6.17	1.78
	35.0	4.78	1.70	5.03	1.73	5.28	1.76	5.40	1.77	5.77	1.81	6.02	1.84
	40.0	4.53	1.81	4.78	1.84	5.02	1.87	5.15	1.88	5.52	1.92	5.77	1.95
	43.0	4.38	1.88	4.62	1.91	4.87	1.94	5.00	1.95	5.37	1.99	5.62	2.02
	46.0	4.22	1.95	4.47	1.98	4.72	2.01	4.85	2.02	5.22	2.06	5.47	2.09
	3.5	10.0	6.04	1.22	6.28	1.25	6.53	1.28	6.66	1.29	7.03	1.33	7.28
12.0		5.93	1.25	6.18	1.28	6.43	1.30	6.56	1.32	6.93	1.36	7.18	1.39
15.0		5.78	1.29	6.03	1.32	6.28	1.34	6.41	1.36	6.78	1.40	7.03	1.43
18.0		5.63	1.33	5.88	1.36	6.13	1.39	6.25	1.40	6.63	1.44	6.88	1.47
20.0		5.53	1.37	5.78	1.39	6.03	1.42	6.15	1.43	6.53	1.47	6.78	1.50
22.0		5.43	1.40	5.68	1.42	5.93	1.45	6.05	1.47	6.43	1.51	6.68	1.53
25.0		5.28	1.45	5.53	1.47	5.78	1.50	5.90	1.52	6.28	1.56	6.52	1.58
28.0		5.13	1.50	5.38	1.53	5.63	1.55	5.75	1.57	6.13	1.63	6.37	1.64
32.0		4.93	1.57	5.18	1.60	5.43	1.63	5.55	1.64	5.92	1.68	6.17	1.71
35.0		4.78	1.63	5.03	1.66	5.28	1.69	5.40	1.70	5.77	1.74	6.02	1.77
40.0		4.53	1.74	4.78	1.77	5.02	1.79	5.15	1.81	5.52	1.85	5.77	1.87
43.0		4.38	1.80	4.62	1.83	4.87	1.86	5.00	1.87	5.37	1.91	5.62	1.94
46.0		4.22	1.87	4.47	1.90	4.72	1.93	4.85	1.94	5.22	1.98	5.47	2.01
3.5+3.5		10.0	6.04	1.24	6.28	1.27	6.53	1.30	6.66	1.31	7.03	1.36	7.28
	12.0	5.93	1.27	6.18	1.30	6.43	1.33	6.56	1.34	6.93	1.38	7.18	1.41
	15.0	5.78	1.31	6.03	1.34	6.28	1.37	6.41	1.38	6.78	1.42	7.03	1.45
	18.0	5.63	1.36	5.88	1.39	6.13	1.41	6.25	1.43	6.63	1.47	6.88	1.50
	20.0	5.53	1.39	5.78	1.42	6.03	1.44	6.15	1.46	6.53	1.50	6.78	1.53
	22.0	5.43	1.42	5.68	1.45	5.93	1.48	6.05	1.49	6.43	1.53	6.68	1.56
	25.0	5.28	1.47	5.53	1.50	5.78	1.53	5.90	1.54	6.28	1.58	6.52	1.61
	28.0	5.13	1.53	5.38	1.55	5.63	1.58	5.75	1.60	6.13	1.64	6.37	1.66
	32.0	4.93	1.60	5.18	1.63	5.43	1.66	5.55	1.67	5.92	1.73	6.17	1.74
	35.0	4.78	1.66	5.03	1.69	5.28	1.72	5.40	1.73	5.77	1.77	6.02	1.80
	40.0	4.53	1.77	4.78	1.80	5.02	1.82	5.15	1.84	5.52	1.88	5.77	1.91
	43.0	4.38	1.84	4.62	1.86	4.87	1.89	5.00	1.91	5.37	1.95	5.62	1.97
	46.0	4.22	1.91	4.47	1.93	4.72	1.96	4.85	1.98	5.22	2.02	5.47	2.04

3D059194

SYMBOLS

TC: Total capacity (kW)
PI: Power input (kW)

NOTES

- Capacities are based on the following conditions.
Corresponding refrigerant piping length: 5m
Level difference: 0m
- The bold line **█** is indicated the standard condition.
- The above is the value for connecting with the following indoor units.
2.0, 2.5, 3.5, 4.2, 5.0 kW Class; wall mounted G series.

4 Capacity tables

4 - 2 Cooling capacity tables

3MXS68G

★ Cooling (50Hz 230V)

Combination (Capacity)	outdoor air temp. °CDB	Indoor air temp.: °CWB											
		14.0°C		16.0°C		18.0°C		19.0°C		22.0°C		24.0°C	
		TC kW	PI kW	TC kW	PI kW	TC kW	PI kW	TC kW	PI kW	TC kW	PI kW	TC kW	PI kW
2.0	22.0	2.65	0.51	2.77	0.52	2.89	0.53	2.95	0.53	3.13	0.55	3.25	0.56
	25.0	2.57	0.53	2.69	0.54	2.81	0.55	2.87	0.55	3.06	0.57	3.18	0.58
	32.0	2.40	0.57	2.52	0.58	2.64	0.59	2.70	0.60	2.89	0.61	3.01	0.62
	35.0	2.33	0.60	2.45	0.61	2.57	0.62	2.63	0.62	2.81	0.64	2.93	0.65
	40.0	2.20	0.63	2.33	0.64	2.45	0.65	2.51	0.66	2.69	0.67	2.81	0.68
	43.0	2.13	0.66	2.25	0.67	2.37	0.68	2.43	0.68	2.62	0.70	2.74	0.71
	46.0	2.06	0.68	2.18	0.69	2.30	0.70	2.36	0.71	2.54	0.72	2.66	0.73
2.5	22.0	3.05	0.61	3.55	0.71	3.70	0.73	3.78	0.73	4.01	0.75	4.17	0.77
	25.0	3.05	0.65	3.45	0.74	3.61	0.75	3.68	0.76	3.92	0.78	4.07	0.79
	32.0	3.05	0.78	3.23	0.80	3.39	0.81	3.46	0.82	3.70	0.84	3.85	0.86
	35.0	2.98	0.82	3.14	0.83	3.29	0.84	3.37	0.85	3.60	0.87	3.76	0.88
	40.0	2.82	0.87	2.98	0.88	3.14	0.90	3.21	0.90	3.45	0.92	3.60	0.94
	43.0	2.73	0.90	2.89	0.92	3.04	0.93	3.12	0.94	3.35	0.96	3.51	0.97
	46.0	2.64	0.94	2.79	0.95	2.95	0.96	3.02	0.97	3.26	0.99	3.41	1.00
3.5	22.0	3.38	0.74	4.15	0.94	4.98	1.17	5.34	1.27	5.67	1.30	5.88	1.33
	25.0	3.38	0.79	4.15	1.00	4.98	1.25	5.20	1.31	5.53	1.35	5.75	1.37
	32.0	3.38	0.94	4.15	1.20	4.78	1.41	4.89	1.42	5.22	1.46	5.44	1.48
	35.0	3.38	1.01	4.15	1.30	4.65	1.46	4.76	1.47	5.09	1.51	5.31	1.53
	40.0	3.38	1.16	4.15	1.49	4.43	1.55	4.54	1.56	4.87	1.60	5.09	1.62
	43.0	3.38	1.26	4.08	1.58	4.30	1.61	4.41	1.62	4.73	1.65	4.95	1.68
	46.0	3.38	1.88	3.94	1.64	4.16	1.67	4.27	1.68	4.60	1.71	4.82	1.74
5.0	22.0	4.33	1.09	5.32	1.41	6.38	1.82	6.63	1.90	7.03	1.95	7.31	1.98
	25.0	4.33	1.17	5.32	1.52	6.32	1.94	6.46	1.96	6.87	2.01	7.14	2.05
	32.0	4.33	1.39	5.32	1.84	5.94	2.11	6.08	2.13	6.48	2.18	6.76	2.21
	35.0	4.33	1.51	5.32	2.02	5.77	2.18	5.91	2.20	6.32	2.26	6.59	2.29
	40.0	4.33	1.75	5.23	2.28	5.50	2.32	5.63	2.34	6.04	2.39	6.32	2.43
	43.0	4.33	1.93	5.01	2.31	5.25	2.31	5.37	2.31	5.71	2.31	5.93	2.31
	46.0	4.11	1.80	4.30	1.80	4.48	1.80	4.57	1.80	4.84	1.80	5.01	1.80
6.0	22.0	5.60	1.51	6.71	1.94	7.01	1.98	7.15	2.00	7.59	2.06	7.89	2.09
	25.0	5.60	1.63	6.53	2.01	6.83	2.05	6.97	2.07	7.42	2.12	7.71	2.16
	32.0	5.60	2.00	6.12	2.19	6.41	2.22	6.56	2.24	7.00	2.30	7.29	2.33
	35.0	5.60	2.20	5.94	2.27	6.23	2.30	6.38	2.32	6.82	2.38	7.11	2.42
	40.0	5.35	2.37	5.64	2.41	5.94	2.45	6.08	2.46	6.52	2.52	6.82	2.56
	43.0	5.06	2.31	5.31	2.31	5.55	2.31	5.67	2.31	6.03	2.31	6.25	2.31
	46.0	4.34	1.80	4.53	1.80	4.72	1.80	4.81	1.80	5.09	1.80	5.26	1.80
2.0+2.0	22.0	5.05	1.19	5.28	1.21	5.51	1.24	5.63	1.25	5.97	1.28	6.21	1.31
	25.0	4.91	1.23	5.14	1.26	5.37	1.28	5.49	1.29	5.83	1.33	6.07	1.35
	32.0	4.58	1.34	4.81	1.37	5.04	1.39	5.16	1.40	5.51	1.44	5.74	1.46
	35.0	4.44	1.39	4.67	1.42	4.90	1.44	5.02	1.45	5.37	1.49	5.60	1.51
	40.0	4.21	1.48	4.44	1.51	4.67	1.53	4.79	1.54	5.13	1.58	5.36	1.60
	43.0	4.07	1.54	4.30	1.56	4.53	1.59	4.65	1.60	4.99	1.63	5.22	1.66
	46.0	3.93	1.60	4.16	1.62	4.39	1.64	4.51	1.66	4.85	1.69	5.08	1.71

Combination (Capacity)	outdoor air temp. °CDB	Indoor air temp.: °CWB											
		14.0		16.0		18.0		19.0		22.0		24.0	
		TC kW	PI kW	TC kW	PI kW	TC kW	PI kW	TC kW	PI kW	TC kW	PI kW	TC kW	PI kW
2.0+2.5	22.0	5.36	1.32	5.61	1.35	5.85	1.37	5.98	1.39	6.34	1.43	6.59	1.45
	25.0	5.21	1.37	5.46	1.40	5.70	1.42	5.83	1.44	6.19	1.47	6.44	1.50
	32.0	4.87	1.49	5.11	1.52	5.36	1.54	5.48	1.56	5.85	1.59	6.09	1.62
	35.0	4.72	1.55	4.96	1.57	5.21	1.60	5.33	1.61	5.70	1.65	5.94	1.68
	40.0	4.47	1.65	4.71	1.67	4.96	1.70	5.08	1.71	5.45	1.75	5.70	1.77
	43.0	4.32	1.71	4.56	1.73	4.81	1.76	4.93	1.77	5.30	1.81	5.55	1.84
	46.0	4.17	1.77	4.42	1.80	4.63	1.80	4.73	1.80	5.03	1.80	5.22	1.80
2.0+3.5	22.0	6.22	1.77	6.50	1.80	6.79	1.84	6.98	1.85	7.36	1.90	7.64	1.94
	25.0	6.04	1.83	6.33	1.86	6.61	1.90	6.76	1.92	7.18	1.97	7.47	2.00
	32.0	5.64	1.99	5.93	2.03	6.21	2.06	6.35	2.08	6.78	2.13	7.06	2.16
	35.0	5.47	2.07	5.75	2.10	6.04	2.14	6.18	2.15	6.61	2.20	6.89	2.24
	40.0	5.18	2.20	5.47	2.23	5.75	2.27	5.89	2.28	6.32	2.34	6.60	2.37
	43.0	5.01	2.28	5.28	2.31	5.53	2.31	5.65	2.31	6.01	2.31	6.25	2.31
	46.0	4.29	1.80	4.49	1.80	4.68	1.80	4.78	1.80	5.06	1.80	5.24	1.80
2.0+5.0	22.0	7.16	2.18	7.49	2.22	7.82	2.26	7.98	2.28	8.47	2.35	8.80	2.39
	25.0	6.96	2.26	7.29	2.30	7.62	2.34	7.78	2.36	8.28	2.43	8.60	2.47
	32.0	6.50	2.45	6.83	2.50	7.15	2.54	7.32	2.56	7.81	2.62	8.14	2.67
	35.0	6.30	2.55	6.63	2.59	6.96	2.63	7.12	2.65	7.61	2.72	7.94	2.76
	40.0	5.97	2.71	6.30	2.75	6.62	2.79	6.78	2.81	7.22	2.81	7.50	2.81
	43.0	5.43	2.31	5.68	2.31	5.93	2.31	6.05	2.31	6.41	2.31	6.64	2.31
	46.0	4.65	1.80	4.84	1.80	5.04	1.80	5.13	1.80	5.41	1.80	5.59	1.80
2.0+6.0	22.0	7.60	2.26	7.95	2.30	8.30	2.35	8.48	2.37	9.00	2.44	9.35	2.48
	25.0	7.39	2.34	7.74	2.39	8.09	2.43	8.26	2.45	8.79	2.52	9.13	2.56
	32.0	6.90	2.55	7.25	2.59	7.60	2.64	7.77	2.66	8.29	2.72	8.64	2.77
	35.0	6.69	2.64	7.04	2.69	7.39	2.73	7.56	2.75	8.08	2.82	8.43	2.86
	40.0	6.33	2.81	6.65	2.81	6.96	2.81	7.12	2.81	7.57	2.81	7.86	2.81
	43.0	5.69	2.31	5.95	2.31	6.20	2.31	6.32	2.31	6.69	2.31	6.93	2.31
	46.0	4.85	1.80	5.05	1.80	5.24	1.80	5.34	1.80	5.63	1.80	5.81	1.80
2.5+2.5	22.0	6.02	1.64	6.29	1.68	6.57	1.71	6.70	1.72	7.12	1.77	7.39	1.80
	25.0	5.85	1.70	6.12	1.73	6.40	1.77	6.54	1.78	6.95	1.83	7.23	1.86
	32.0	5.46	1.85	5.73	1.88	6.01	1.92	6.15	1.93	6.56	1.98	6.84	2.01
	35.0	5.29	1.92	5.57	1.95	5.84	1.99	5.98	2.00	6.39	2.05	6.67	2.08
	40.0	5.01	2.04	5.29	2.08	5.56	2.11	5.70	2.12	6.11	2.17	6.39	2.20
	43.0	4.85	2.12	5.12	2.15	5.40	2.19	5.53	2.20	5.95	2.25	6.22	2.28
	46.0	4.26	1.80	4.46	1.80	4.66	1.80	4.76	1.80	5.04	1.80	5.23	1.80
2.5+3.5	22.0	6.43	1.92	6.77	1.99	7.07	2.02	7.22	2.04	7.66	2.10	7.96	2.14
	25.0	6.30	2.02	6.59	2.06	6.89	2.09	7.04	2.11	7.48	2.17	7.78	2.21
	32.0	5.88	2.20	6.17	2.23	6.47	2.27	6.62	2.29	7.06	2.35	7.36	2.38
	35.0	5.70	2.28	5.99	2.32	6.29	2.35	6.44	2.37	6.89	2.43	7.18	2.47
	40.0	5.40	2.42	5.70	2.46	5.99	2.50	6.14	2.52	6.59	2.57	6.88	2.61
	43.0	5.07	2.31	5.32	2.31	5.57	2.31	5.69	2.31	6.04	2.31	6.26	2.31
	46.0	4.35	1.80	4.55	1.80	4.73	1.80	4.83	1.80	5.10	1.80	5.28	1.80

3D059163

SYMBOLS

TC: Total capacity (kW)
PI: Power input (kW)

NOTE

- Capacities are based on the following conditions.
Corresponding refrigerant piping length: 5m
Level difference: 0m
- The bold line **□** is indicated the standard condition.
- The above is the value for connecting with the following indoor units.
2.0, 2.5, 3.5, 5.0 kW Class; wall mounted D series
6.0 kW class; wall mounted F series

4 Capacity tables

4 - 2 Cooling capacity tables

3MXS68G

★ Cooling (50Hz 230V)

Combination (Capacity)	outdoor air temp. °CDB	Indoor air temp.: °CWB											
		14.0°C		16.0°C		18.0°C		19.0°C		22.0°C		24.0°C	
		TC	PI	TC	PI	TC	PI	TC	PI	TC	PI	TC	PI
2.5+2.5	22.0	7.27	2.26	7.61	2.30	7.94	2.35	8.11	2.37	8.60	2.44	8.94	2.48
	25.0	7.07	2.34	7.40	2.39	7.74	2.43	7.90	2.45	8.40	2.52	8.74	2.56
	32.0	6.60	2.55	6.93	2.59	7.27	2.64	7.43	2.66	7.93	2.72	8.26	2.77
	35.0	6.40	2.64	6.73	2.69	7.06	2.73	7.23	2.75	7.73	2.82	8.06	2.86
	40.0	6.06	2.81	6.37	2.81	6.67	2.81	6.82	2.81	7.25	2.81	7.53	2.81
	43.0	5.47	2.31	5.73	2.31	5.97	2.31	6.09	2.31	6.45	2.31	6.68	2.31
	46.0	4.69	1.80	4.89	1.80	5.08	1.80	5.17	1.80	5.45	1.80	5.63	1.80
2.5+6.0	22.0	7.60	2.26	7.95	2.30	8.30	2.35	8.48	2.37	9.00	2.44	9.35	2.48
	25.0	7.39	2.34	7.74	2.39	8.09	2.43	8.26	2.45	8.79	2.52	9.13	2.56
	32.0	6.90	2.55	7.25	2.59	7.60	2.64	7.77	2.66	8.29	2.72	8.64	2.77
	35.0	6.69	2.64	7.04	2.69	7.39	2.73	7.56	2.75	8.08	2.82	8.43	2.86
	40.0	6.33	2.81	6.65	2.81	6.96	2.81	7.12	2.81	7.57	2.81	7.86	2.81
	43.0	5.69	2.31	5.95	2.31	6.20	2.31	6.32	2.31	6.69	2.31	6.93	2.31
	46.0	4.85	1.80	5.05	1.80	5.24	1.80	5.34	1.80	5.63	1.80	5.81	1.80
2.5+3.5	22.0	6.76	2.03	7.35	2.23	7.68	2.27	7.84	2.29	8.32	2.36	8.64	2.40
	25.0	6.76	2.22	7.16	2.31	7.48	2.35	7.64	2.37	8.12	2.43	8.45	2.48
	32.0	6.38	2.46	6.70	2.51	7.02	2.55	7.19	2.57	7.67	2.63	7.99	2.68
	35.0	6.18	2.56	6.51	2.60	6.83	2.64	6.99	2.66	7.47	2.73	7.80	2.77
	40.0	5.86	2.72	6.18	2.76	6.50	2.80	6.65	2.81	7.08	2.81	7.36	2.81
	43.0	5.34	2.31	5.59	2.31	5.83	2.31	5.95	2.31	6.30	2.31	6.53	2.31
	46.0	4.58	1.80	4.78	1.80	4.97	1.80	5.06	1.80	5.33	1.80	5.51	1.80
3.5+5.0	22.0	7.65	2.56	8.01	2.61	8.36	2.66	8.53	2.69	9.06	2.76	9.41	2.81
	25.0	7.44	2.66	7.79	2.71	8.14	2.76	8.32	2.78	8.84	2.86	9.20	2.91
	32.0	6.95	2.89	7.30	2.94	7.65	2.99	7.82	3.01	8.35	3.09	8.70	3.14
	35.0	6.73	3.00	7.08	3.05	7.43	3.10	7.61	3.12	8.14	3.20	8.49	3.25
	40.0	6.26	2.81	6.56	2.81	6.85	2.81	7.00	2.81	7.42	2.81	7.70	2.81
	43.0	5.68	2.31	5.93	2.31	6.17	2.31	6.29	2.31	6.63	2.31	6.86	2.31
	46.0	4.89	1.80	5.08	1.80	5.27	1.80	5.36	1.80	5.63	1.80	5.81	1.80
3.5+6.0	22.0	7.96	2.51	8.32	2.56	8.62	2.61	8.87	2.64	9.41	2.71	9.78	2.76
	25.0	7.74	2.61	8.10	2.65	8.46	2.70	8.65	2.73	9.19	2.80	9.56	2.85
	32.0	7.22	2.83	7.58	2.88	7.95	2.93	8.13	2.96	8.68	3.03	9.04	3.08
	35.0	7.00	2.94	7.36	2.99	7.73	3.04	7.91	3.06	8.46	3.14	8.82	3.19
	40.0	6.49	2.81	6.80	2.81	7.11	2.81	7.26	2.81	7.70	2.81	7.99	2.81
	43.0	5.85	2.31	6.11	2.31	6.36	2.31	6.48	2.31	6.84	2.31	7.07	2.31
	46.0	5.00	1.80	5.20	1.80	5.40	1.80	5.49	1.80	5.77	1.80	5.95	1.80
5.0+5.0	22.0	8.11	2.75	8.48	2.81	8.85	2.86	9.04	2.89	9.59	2.97	9.96	3.02
	25.0	7.88	2.85	8.25	2.91	8.62	2.96	8.81	2.99	9.37	3.07	9.74	3.12
	32.0	7.36	3.10	7.73	3.16	8.10	3.21	8.29	3.24	8.84	3.32	9.21	3.37
	35.0	7.13	3.22	7.50	3.27	7.87	3.33	8.06	3.35	8.62	3.43	8.99	3.49
	40.0	6.58	2.81	6.88	2.81	7.18	2.81	7.33	2.81	7.73	2.81	7.96	2.81
	43.0	5.96	2.31	6.45	2.31	6.45	2.31	6.57	2.31	6.92	2.31	7.15	2.31
	46.0	5.12	1.80	5.31	1.80	5.50	1.80	5.60	1.80	5.87	1.80	6.05	1.80

Combination (Capacity)	outdoor air temp. °CDB	Indoor air temp.: °CWB											
		14.0		16.0		18.0		19.0		22.0		24.0	
		TC	PI	TC	PI	TC	PI	TC	PI	TC	PI	TC	PI
5.0+6.0	22.0	5.33	2.70	8.71	2.75	9.09	2.80	9.28	2.83	9.85	2.91	10.24	2.96
	25.0	8.10	2.79	8.48	2.84	8.86	2.90	9.05	2.92	9.62	3.00	10.00	3.05
	32.0	7.56	3.04	7.94	3.09	8.32	3.14	8.51	3.17	9.08	3.25	9.47	3.30
	35.0	7.33	3.15	7.71	3.20	8.09	3.26	8.28	3.28	8.85	3.36	9.23	3.41
	40.0	6.73	2.81	7.04	2.81	7.35	2.81	7.50	2.81	7.94	2.81	8.23	2.81
	43.0	6.07	2.31	6.32	2.31	6.57	2.31	6.70	2.31	7.06	2.31	7.29	2.31
	46.0	5.19	1.80	5.39	1.80	5.58	1.80	5.68	1.80	5.96	1.80	6.14	1.80
2.0+2.0+2.0	22.0	6.55	1.55	6.85	1.58	7.15	1.61	7.30	1.63	7.75	1.67	8.05	1.70
	25.0	6.37	1.61	6.67	1.64	6.97	1.67	7.12	1.68	7.57	1.73	7.87	1.76
	32.0	5.94	1.75	6.24	1.78	6.54	1.81	6.69	1.83	7.14	1.87	7.44	1.90
	35.0	5.76	1.82	6.06	1.85	6.36	1.88	6.51	1.89	6.96	1.94	7.26	1.97
	40.0	5.46	1.93	5.76	1.96	6.06	1.99	6.21	2.10	6.66	2.05	6.96	2.08
	43.0	5.28	2.01	5.58	2.04	5.88	2.07	6.02	2.08	6.47	2.13	6.77	2.16
	46.0	4.71	1.80	4.94	1.80	5.16	1.80	5.27	1.80	5.58	1.80	5.79	1.80
2.0+2.0+2.5	22.0	6.93	1.74	7.25	1.78	7.57	1.81	7.72	1.83	8.20	1.88	8.52	1.91
	25.0	6.74	1.80	7.06	1.84	7.37	1.87	7.53	1.89	8.01	1.94	8.33	1.97
	32.0	6.29	1.96	6.61	2.00	6.92	2.03	7.08	2.05	7.56	2.10	7.88	2.13
	35.0	6.10	2.04	6.41	2.07	6.73	2.11	6.89	2.12	7.37	2.17	7.68	2.21
	40.0	5.78	2.17	6.09	2.20	6.41	2.24	6.57	2.25	7.05	2.30	7.36	2.34
	43.0	5.58	2.25	5.90	2.28	6.20	2.31	6.34	2.31	6.73	2.31	6.99	2.31
	46.0	4.74	1.80	4.96	1.80	5.17	1.80	5.27	1.80	5.58	1.80	5.78	1.80
2.0+2.0+3.5	22.0	7.29	1.93	7.63	1.97	7.96	2.01	8.13	2.03	8.63	2.08	8.96	2.12
	25.0	7.09	2.00	7.42	2.04	7.76	2.08	7.93	2.09	8.43	2.15	8.76	2.19
	32.0	6.62	2.18	6.95	2.21	7.29	2.25	7.45	2.27	7.95	2.33	8.29	2.36
	35.0	6.41	2.26	6.75	2.30	7.08	2.33	7.25	2.35	7.75	2.41	8.09	2.45
	40.0	6.08	2.40	6.41	2.44	6.75	2.48	6.91	2.50	7.41	2.55	7.75	2.59
	43.0	5.69	2.31	5.97	2.31	6.24	2.31	6.37	2.31	6.75	2.31	7.01	2.31
	46.0	4.80	1.80	5.01	1.80	5.22	1.80	5.32	1.80	5.63	1.80	5.82	1.80
5.82	22.0	7.90	2.21	8.26	2.25	8.62	2.30	8.80	2.32	9.34	2.38	9.70	2.43
	25.0	7.68	2.29	8.04	2.33	8.40	2.38	8.58	2.40	9.12	2.46	9.49	2.51
	32.0	7.17	2.49	7.53	2.53	7.89	2.58	8.07	2.60	8.61	2.66	8.97	2.71
	35.0	6.95	2.59	7.31	2.63	7.67	2.67	7.85	2.69	8.39	2.76	8.75	2.80
	40.0	6.58	2.75	6.94	2.79	7.28	2.81	7.44	2.81	7.90	2.81	8.21	2.81
	43.0	5.90	2.31	6.17	2.31	6.43	2.31	6.56	2.31	6.94	2.31	7.19	2.31
	46.0	4.99	1.80	5.20	1.80	5.41	1.80	5.51	1.80	5.80	1.80	6.00	1.80
2.0+2.0+6.0	22.0	8.16	2.17	8.53	2.21	8.91	2.25	9.09	2.28	9.65	2.34	10.03	2.38
	25.0	7.93	2.25	8.30	2.29	8.68	2.33	8.87	2.35	9.43	2.42	9.80	2.46
	32.0	7.40	2.45	7.78	2.49	8.15	2.53	8.34	2.55	8.90	2.61	9.27	2.66
	35.0	7.18	2.54	7.55	2.58	7.92	2.62	8.11	2.64	8.67	2.71	9.04	2.75
	40.0	6.80	2.70	7.17	2.74	7.55	2.78	7.73	2.80	8.22	2.81	8.53	2.81
	43.0	6.09	2.31</										

4 Capacity tables

4 - 2 Cooling capacity tables

3MXS68G

★ Cooling (50Hz 230V)

Combination (Capacity)	outdoor air temp. °CDB	Indoor air temp.: °CWB											
		14.0°C		16.0°C		18.0°C		19.0°C		22.0°C		24.0°C	
		TC	PI	TC	PI	TC	PI	TC	PI	TC	PI	TC	PI
2.0+2.5+2.5	22.0	7.14	1.86	7.47	1.89	7.80	1.93	7.96	1.95	8.45	2.00	8.78	2.04
	25.0	6.94	1.92	7.27	1.96	7.60	2.00	7.76	2.01	8.25	2.07	8.58	2.10
	32.0	6.48	2.09	6.81	2.13	7.13	2.17	7.30	2.18	7.79	2.24	8.12	2.27
	35.0	6.28	2.17	6.61	2.21	6.94	2.24	7.10	2.26	7.59	2.32	7.92	2.35
	40.0	5.95	2.31	6.28	2.35	6.61	2.38	6.77	2.40	7.26	2.46	7.59	2.49
	43.0	5.66	2.31	5.94	2.31	6.21	2.31	6.34	2.31	6.73	2.31	6.98	2.31
	46.0	4.77	1.80	4.98	1.80	5.19	1.80	5.29	1.80	5.60	1.80	5.79	1.80
2.0+2.5+3.5	22.0	7.63	2.13	7.98	2.17	8.33	2.21	8.51	2.23	9.03	2.29	9.38	2.34
	25.0	7.42	2.20	7.77	2.25	8.12	2.28	8.30	2.31	8.82	2.37	9.17	2.41
	32.0	6.93	2.40	7.28	2.44	7.963	2.48	7.80	2.50	8.33	2.56	8.68	2.61
	35.0	6.72	2.49	7.07	2.53	7.42	2.57	7.59	2.59	8.11	2.65	8.46	2.70
	40.0	6.36	2.65	6.71	2.69	7.06	2.73	7.24	2.75	7.75	2.81	8.05	2.81
	43.0	5.77	2.31	6.04	2.31	6.30	2.31	6.43	2.31	6.81	2.31	7.06	2.31
	46.0	4.89	1.80	5.10	1.80	5.30	1.80	5.40	1.80	5.70	1.80	5.89	1.80
2.0+2.5+5.0	22.0	7.97	2.25	8.33	2.30	8.70	2.34	8.88	2.36	9.43	2.43	9.79	2.47
	25.0	7.75	2.33	8.11	2.38	8.48	2.42	8.66	2.44	9.20	2.51	9.57	2.55
	32.0	7.23	2.54	7.59	2.58	7.96	2.63	8.14	2.65	8.69	2.71	9.05	2.76
	35.0	7.01	2.63	7.37	2.68	7.74	2.72	7.92	2.74	8.47	2.81	8.83	2.85
	40.0	6.64	2.80	6.97	2.81	7.30	2.81	7.46	2.81	7.92	2.81	8.22	2.81
	43.0	5.92	2.31	6.19	2.31	6.45	2.31	6.58	2.31	6.96	2.31	7.21	2.31
	46.0	5.02	1.80	5.22	1.80	5.43	1.80	5.53	1.80	5.83	1.80	6.02	1.80
2.0+2.5+6.0	22.0	7.97	2.25	8.33	2.30	8.70	2.34	8.88	2.36	9.43	2.43	9.79	2.47
	25.0	7.75	2.33	8.11	2.38	8.48	2.42	8.66	2.44	9.20	2.51	9.57	2.55
	32.0	7.23	2.54	7.59	2.58	7.96	2.63	8.14	2.65	8.69	2.71	9.05	2.76
	35.0	7.01	2.63	7.37	2.68	7.74	2.72	7.92	2.74	8.47	2.81	8.83	2.85
	40.0	6.64	2.80	6.97	2.81	7.30	2.81	7.46	2.81	7.92	2.81	8.22	2.81
	43.0	5.92	2.31	6.19	2.31	6.45	2.31	6.58	2.31	6.96	2.31	7.21	2.31
	46.0	5.02	1.80	5.22	1.80	5.43	1.80	5.53	1.80	5.83	1.80	6.02	1.80
2.0+3.5+3.5	22.0	8.43	2.33	8.82	2.38	9.20	2.42	9.39	2.45	9.97	2.52	10.38	2.56
	25.0	8.20	2.42	8.58	2.46	8.97	2.51	9.16	2.53	9.74	2.60	10.13	2.65
	32.0	7.65	2.63	8.03	2.68	8.42	2.72	8.61	2.74	9.19	2.81	9.58	2.86
	35.0	7.41	2.73	7.80	2.77	8.19	2.82	8.38	2.84	8.96	2.91	9.35	2.96
	40.0	6.95	2.81	7.29	2.81	7.62	2.81	7.79	2.81	8.26	2.81	8.57	2.81
	43.0	6.17	2.31	6.45	2.31	6.72	2.31	6.85	2.31	7.47	2.31	7.50	2.31
	46.0	5.21	1.80	5.43	1.80	5.64	1.80	5.74	1.80	6.04	1.80	6.24	1.80
2.0+3.5+5.0	22.0	7.96	2.34	8.32	2.39	8.69	2.43	8.87	2.46	9.41	2.52	9.78	2.57
	25.0	7.74	2.43	8.10	2.47	8.48	2.52	8.65	2.54	9.19	2.61	9.56	2.65
	32.0	7.22	2.64	7.58	2.69	7.95	2.73	8.13	2.75	8.68	2.82	9.04	2.87
	35.0	7.00	2.74	7.36	2.78	7.73	2.83	7.91	2.85	8.46	2.92	8.82	2.97
	40.0	6.57	2.81	6.89	2.81	7.36	2.81	7.82	2.81	8.26	2.81	8.11	2.81
	43.0	5.88	2.31	6.14	2.31	6.40	2.31	6.53	2.31	6.90	2.31	7.14	2.31
	46.0	5.00	1.80	5.20	1.80	5.40	1.80	5.50	1.80	5.79	1.80	5.89	1.80

Combination (Capacity)	outdoor air temp. °CDB	Indoor air temp.: °CWB											
		14.0		16.0		18.0		19.0		22.0		24.0	
		TC	PI	TC	PI	TC	PI	TC	PI	TC	PI	TC	PI
2.5+2.5+2.5	22.0	7.42	2.01	7.76	2.05	8.10	2.09	8.27	2.11	8.78	2.17	9.12	2.21
	25.0	7.22	2.09	7.56	2.12	7.90	2.16	8.07	2.18	8.58	2.24	8.92	2.28
	32.0	6.74	2.27	7.08	2.31	7.42	2.35	7.59	2.37	8.10	2.43	8.44	2.47
	35.0	6.53	2.35	6.87	2.39	7.21	2.43	7.38	2.45	7.89	2.51	8.23	2.55
	40.0	6.19	2.51	6.53	2.54	6.87	2.58	7.04	2.60	7.55	2.66	7.89	2.70
	43.0	5.71	2.31	5.98	2.31	6.25	2.31	6.38	2.31	6.76	2.31	7.01	2.31
	46.0	4.83	1.80	5.04	1.80	5.24	1.80	5.34	1.80	5.64	1.80	5.84	1.80
2.5+2.5+3.5	22.0	7.83	2.26	8.18	2.30	8.54	2.35	8.72	2.37	9.26	2.44	9.62	2.48
	25.0	7.61	2.34	7.97	2.39	8.33	2.43	8.50	2.45	9.04	2.52	9.40	2.56
	32.0	7.10	2.55	7.46	2.59	7.82	2.64	8.00	2.66	8.54	2.72	8.89	2.77
	35.0	6.88	2.64	7.24	2.69	7.60	2.73	7.78	2.75	8.32	2.82	8.68	2.86
	40.0	6.52	2.81	6.84	2.81	7.16	2.81	7.32	2.81	7.78	2.81	8.08	2.81
	43.0	5.83	2.31	6.09	2.31	6.35	2.31	6.48	2.31	6.85	2.31	7.10	2.31
	46.0	4.95	1.80	5.15	1.80	5.36	1.80	5.46	1.80	5.75	1.80	5.94	1.80
2.5+2.5+5.0	22.0	8.33	2.51	8.71	2.56	9.09	2.61	9.28	2.64	9.85	2.71	10.24	2.76
	25.0	8.10	2.61	8.48	2.65	8.86	2.70	9.05	2.73	9.62	2.80	10.00	2.85
	32.0	7.56	2.83	7.94	2.88	8.32	2.93	8.51	2.96	9.08	3.03	9.47	3.08
	35.0	7.33	2.94	7.71	2.99	8.09	3.04	8.28	3.06	8.85	3.14	9.23	3.19
	40.0	6.77	2.81	7.09	2.81	7.41	2.81	7.56	2.81	8.02	2.81	8.31	2.81
	43.0	6.06	2.31	6.33	2.31	6.59	2.31	6.71	2.31	7.09	2.31	7.33	2.31
	46.0	5.16	1.80	5.36	1.80	5.56	1.80	5.66	1.80	5.95	1.80	6.14	1.80
2.5+2.5+6.0	22.0	8.62	2.47	9.02	2.51	9.41	2.56	9.61	2.59	10.20	2.66	10.59	2.71
	25.0	8.38	2.55	8.78	2.60	9.17	2.65	9.37	2.67	9.96	2.75	10.36	2.79
	32.0	7.82	2.78	8.22	2.83	8.61	2.87	8.81	2.90	9.40	2.97	9.80	3.02
	35.0	7.58	2.88	7.98	2.93	8.37	2.98	8.57	3.00	9.16	3.08	9.56	3.12
	40.0	7.01	2.81	7.35	2.81	7.67	2.81	7.84	2.81	8.31	2.81	8.61	2.81
	43.0	6.24	2.31	6.51	2.31	6.78	2.31	6.91	2.31	7.30	2.31	7.55	2.31
	46.0	5.28	1.80	5.49	1.80	5.70	1.80	5.80	1.80	6.10	1.80	6.30	1.80
2.5+3.5+3.5	22.0	8.19	2.51	8.56	2.56	8.94	2.61	9.13	2.64	9.69	2.71	10.06	2.76
	25.0	7.96	2.61	8.34	2.65	8.71	2.70	8.90	2.73	9.46	2.80	9.84	2.85
	32.0	7.43	2.83	7.80	2.88	8.18	2.93	8.37	2.96	8.93	3.03	9.30	3.08
	35.0	7.20	2.94	7.58	2.99	7.95	3.04	8.14	3.06	8.70	3.14	9.08	3.19
	40.0	6.66	2.81	6.98	2.81	7.29	2.81	7.45	2.81	7.90	2.81	8.19	2.81
	43.0	5.98	2.31	6.24	2.31	6.50	2.31	6.62	2.31	6.99	2.31	7.23	2.31
	46.0	5.10	1.80	5.30	1.80	5.50	1.80	5.60	1.80	5.88	1.80	6.07	1.80
2.5+3.5+5.0	22.0	8.62	2.74	9.02	2.79	9.41	2.84	9.61	2.87	10.20	2.95	10.59	3.00
	25.0	8.38	2.83	8.78	2.89	9.17	2.94	9.37	2.97	9.96	3.05	10.36	3.10
	32.0	7.82	3.08	8.22	3.14	8.61	3.19	8.81	3.22	9.40	3.30	9.80	3.35
	35.0	7.58	3.20	7.98	3.25	8.37	3.31	8.57	3.33	9.16	3.41	9.56	3.47
	40.0	6.93	2.81	7.25	2.81	7.56	2.81	7.71	2.81	8.16	2.81	8.46	2.81

4 Capacity tables

4 - 2 Cooling capacity tables

3MXS68G

★ Cooling (50Hz 230V)

Combination (Capacity)	outdoor air temp. °CDB	Indoor air temp.: °CWB											
		14.0°C		16.0°C		18.0°C		19.0°C		22.0°C		24.0°C	
		TC	PI	TC	PI	TC	PI	TC	PI	TC	PI	TC	PI
3.5+3.5+3.5	22.0	8.47	2.74	8.86	2.79	9.25	2.84	9.44	2.87	10.02	2.95	10.41	3.00
	25.0	8.23	2.83	8.62	2.89	9.01	2.94	9.20	2.97	9.79	3.05	10.17	3.10
	32.0	7.69	3.08	8.07	3.14	8.46	3.19	8.66	3.22	9.24	3.30	9.63	3.35
	35.0	7.45	3.20	7.84	3.25	8.23	3.31	8.42	3.33	9.00	3.41	9.39	3.47
	40.0	6.82	2.81	7.14	2.81	7.45	2.81	7.60	2.81	8.04	2.81	8.33	2.81
	43.0	6.15	2.31	6.40	2.31	6.66	2.31	6.78	2.31	7.14	2.31	7.38	2.31
	46.0	5.25	1.80	5.45	1.80	5.65	1.80	5.74	1.80	6.03	1.80	6.21	1.80

3D059166

SYMBOLS

TC: Total capacity (kW)
PI: Power input (kW)

NOTE

- Capacities are based on the following conditions.
Corresponding refrigerant piping length: 5m
Level difference: 0m
- The bold line is indicated the standard condition.
- The above is the value for connecting with the following indoor units.
2.0, 2.5, 3.5, 5.0 kW Class; wall mounted D series
6.0 kW class; wall mounted F series

4 Capacity tables

4 - 2 Cooling capacity tables

3MXS68G

★ Cooling (50Hz 230V)

Combination (Capacity)	outdoor air temp. °CDB	Indoor air temp.: °CWB											
		14.0°C		16.0°C		18.0°C		19.0°C		22.0°C		24.0°C	
		TC kW	PI kW	TC kW	PI kW	TC kW	PI kW	TC kW	PI kW	TC kW	PI kW	TC kW	PI kW
2.0	22.0	2.65	0.51	2.77	0.52	2.89	0.53	2.95	0.53	3.13	0.55	3.25	0.56
	25.0	2.57	0.53	2.69	0.54	2.81	0.55	2.87	0.55	3.06	0.57	3.18	0.58
	32.0	2.40	0.57	2.52	0.58	2.64	0.59	2.70	0.60	2.89	0.61	3.01	0.62
	35.0	2.33	0.60	2.45	0.61	2.57	0.62	2.63	0.62	2.81	0.64	2.93	0.65
	40.0	2.20	0.63	2.33	0.64	2.45	0.65	2.51	0.66	2.69	0.67	2.81	0.68
	43.0	2.13	0.66	2.25	0.67	2.37	0.68	2.43	0.68	2.62	0.70	2.74	0.71
	46.0	2.06	0.68	2.18	0.69	2.30	0.70	2.36	0.71	2.54	0.72	2.66	0.73
2.5	22.0	3.05	0.61	3.55	0.71	3.70	0.73	3.78	0.73	4.01	0.75	4.17	0.77
	25.0	3.05	0.65	3.45	0.74	3.61	0.75	3.68	0.76	3.92	0.78	4.07	0.79
	32.0	3.05	0.78	3.23	0.80	3.39	0.81	3.46	0.82	3.70	0.84	3.85	0.86
	35.0	2.98	0.82	3.14	0.83	3.29	0.84	3.37	0.85	3.60	0.87	3.76	0.88
	40.0	2.82	0.87	2.88	0.88	3.14	0.90	3.21	0.90	3.45	0.92	3.60	0.94
	43.0	2.73	0.90	2.89	0.92	3.04	0.93	3.12	0.94	3.35	0.96	3.51	0.97
	46.0	2.64	0.94	2.79	0.95	2.95	0.96	3.02	0.97	3.26	0.99	3.41	1.00
3.5	22.0	3.38	0.74	4.15	0.94	4.98	1.17	5.34	1.27	5.67	1.30	5.88	1.33
	25.0	3.38	0.79	4.15	1.00	4.98	1.25	5.20	1.31	5.53	1.35	5.75	1.37
	32.0	3.38	0.94	4.15	1.20	4.78	1.41	4.89	1.42	5.22	1.46	5.44	1.48
	35.0	3.38	1.01	4.15	1.30	4.65	1.46	4.76	1.47	5.09	1.51	5.31	1.53
	40.0	3.38	1.16	4.15	1.49	4.43	1.55	4.54	1.56	4.87	1.60	5.09	1.62
	43.0	3.38	1.26	4.08	1.58	4.30	1.61	4.41	1.62	4.73	1.65	4.95	1.68
	46.0	3.38	1.38	3.94	1.64	4.16	1.67	4.27	1.68	4.60	1.71	4.82	1.74
5.0	22.0	4.33	1.01	5.32	1.30	6.38	1.66	6.64	1.73	7.05	1.78	7.32	1.81
	25.0	4.33	1.08	5.32	1.40	6.33	1.78	6.47	1.79	6.88	1.84	7.15	1.87
	32.0	4.33	1.29	5.32	1.69	5.95	1.93	6.09	1.94	6.49	1.99	6.77	2.02
	35.0	4.33	1.40	5.32	1.84	5.78	2.00	5.92	2.01	6.33	2.06	6.60	2.09
	40.0	4.33	1.61	5.24	2.09	5.51	2.12	5.64	2.14	6.05	2.18	6.33	2.22
	43.0	4.33	1.77	5.07	2.17	5.34	2.20	5.48	2.21	5.89	2.26	6.16	2.29
	46.0	4.22	1.80	4.42	1.80	4.61	1.80	4.71	1.80	4.99	1.80	5.17	1.80
6.0	22.0	5.60	1.51	6.71	1.94	7.01	1.98	7.15	2.00	7.59	2.06	7.89	2.09
	25.0	5.60	1.63	6.53	2.01	6.83	2.05	6.97	2.07	7.42	2.12	7.71	2.16
	32.0	5.60	2.00	6.12	2.19	6.41	2.22	6.56	2.24	7.00	2.30	7.29	2.33
	35.0	5.60	2.20	5.94	2.27	6.23	2.30	6.38	2.32	6.82	2.38	7.11	2.42
	40.0	5.35	2.37	5.64	2.41	5.94	2.45	6.08	2.46	6.52	2.52	6.82	2.56
	43.0	5.06	2.31	5.31	2.31	5.55	2.31	5.67	2.31	6.03	2.31	6.25	2.31
	46.0	4.34	1.80	4.53	1.80	4.72	1.80	4.81	1.80	5.09	1.80	5.26	1.80
2.0+2.0	22.0	5.05	1.19	5.28	1.21	5.51	1.24	5.63	1.25	5.97	1.28	6.21	1.31
	25.0	4.91	1.23	5.14	1.26	5.37	1.28	5.49	1.29	5.83	1.33	6.07	1.35
	32.0	4.58	1.34	4.81	1.37	5.04	1.39	5.16	1.40	5.51	1.44	5.74	1.46
	35.0	4.44	1.39	4.67	1.42	4.90	1.44	5.02	1.45	5.37	1.49	5.60	1.51
	40.0	4.21	1.48	4.44	1.51	4.67	1.53	4.79	1.54	5.13	1.58	5.36	1.60
	43.0	4.07	1.54	4.30	1.56	4.53	1.59	4.65	1.60	4.99	1.63	5.22	1.66
	46.0	3.93	1.60	4.16	1.62	4.39	1.64	4.51	1.66	4.85	1.69	5.08	1.71

Combination (Capacity)	outdoor air temp. °CDB	Indoor air temp.: °CWB											
		14.0		16.0		18.0		19.0		22.0		24.0	
		TC kW	PI kW	TC kW	PI kW	TC kW	PI kW	TC kW	PI kW	TC kW	PI kW	TC kW	PI kW
2.0+2.5	22.0	5.36	1.32	5.61	1.35	5.85	1.37	5.98	1.39	6.34	1.43	6.59	1.45
	25.0	5.21	1.37	5.46	1.40	5.70	1.42	5.83	1.44	6.19	1.47	6.44	1.50
	32.0	4.87	1.49	5.11	1.52	5.36	1.54	5.48	1.56	5.85	1.59	6.09	1.62
	35.0	4.72	1.55	4.96	1.57	5.21	1.60	5.33	1.61	5.70	1.65	5.94	1.68
	40.0	4.47	1.65	4.71	1.67	4.96	1.70	5.08	1.71	5.45	1.75	5.70	1.77
	43.0	4.32	1.71	4.56	1.73	4.81	1.76	4.93	1.77	5.30	1.81	5.55	1.84
	46.0	4.17	1.77	4.42	1.80	4.63	1.80	4.73	1.80	5.03	1.80	5.22	1.80
2.0+3.5	22.0	6.22	1.77	6.50	1.80	6.79	1.84	6.98	1.85	7.36	1.90	7.64	1.94
	25.0	6.04	1.83	6.33	1.86	6.61	1.90	6.76	1.92	7.18	1.97	7.47	2.00
	32.0	5.64	1.99	5.93	2.03	6.21	2.06	6.35	2.08	6.78	2.13	7.06	2.16
	35.0	5.47	2.07	5.57	2.10	6.04	2.14	6.18	2.15	6.61	2.20	6.89	2.24
	40.0	5.18	2.20	5.47	2.23	5.75	2.27	5.89	2.28	6.32	2.34	6.60	2.37
	43.0	5.01	2.28	5.28	2.31	5.53	2.31	5.65	2.31	6.01	2.31	6.25	2.31
	46.0	4.29	1.80	4.49	1.80	4.68	1.80	4.78	1.80	5.06	1.80	5.24	1.80
2.0+5.0	22.0	7.13	1.97	7.46	2.01	7.79	2.05	7.95	2.07	8.44	2.13	8.76	2.16
	25.0	6.93	2.04	7.26	2.08	7.59	2.12	7.75	2.14	8.24	2.20	8.57	2.24
	32.0	6.47	2.22	6.80	2.26	7.12	2.30	7.29	2.32	7.78	2.38	8.10	2.42
	35.0	6.27	2.31	6.60	2.34	6.93	2.38	7.09	2.40	7.58	2.46	7.91	2.50
	40.0	5.94	2.45	6.27	2.49	6.60	2.53	6.76	2.55	7.25	2.61	7.58	2.65
	43.0	5.53	2.31	5.80	2.31	6.06	2.31	6.19	2.31	6.57	2.31	6.81	2.31
	46.0	4.69	1.80	4.90	1.80	5.10	1.80	5.20	1.80	4.49	1.80	5.68	1.80
2.0+6.0	22.0	7.60	2.26	7.95	2.30	8.30	2.35	8.48	2.37	9.00	2.44	9.35	2.48
	25.0	7.39	2.34	7.74	2.39	8.09	2.43	8.26	2.45	8.79	2.52	9.13	2.56
	32.0	6.90	2.55	7.25	2.59	7.60	2.64	7.77	2.66	8.29	2.72	8.64	2.77
	35.0	6.69	2.64	7.04	2.69	7.39	2.73	7.56	2.75	8.08	2.82	8.43	2.86
	40.0	6.33	2.81	6.65	2.81	6.96	2.81	7.12	2.81	7.57	2.81	7.86	2.81
	43.0	5.69	2.31	5.95	2.31	6.20	2.31	6.32	2.31	6.69	2.31	6.93	2.31
	46.0	4.85	1.80	5.05	1.80	5.24	1.80	5.34	1.80	5.63	1.80	5.81	1.80
2.5+2.5	22.0	6.02	1.64	6.29	1.68	6.57	1.71	6.70	1.72	7.12	1.77	7.39	1.80
	25.0	5.85	1.70	6.12	1.73	6.40	1.77	6.54	1.78	6.95	1.83	7.23	1.86
	32.0	5.46	1.85	5.73	1.88	6.01	1.92	6.15	1.93	6.56	1.98	6.84	2.01
	35.0	5.29	1.92	5.57	1.95	5.84	1.99	5.98	2.00	6.39	2.05	6.67	2.08
	40.0	5.01	2.04	5.29	2.08	5.56	2.11	5.70	2.12	6.11	2.17	6.39	2.20
	43.0	4.85	2.12	5.12	2.15	5.40	2.19	5.58	2.20	5.95	2.25	6.22	2.28
	46.0	4.26	1.80	4.46	1.80	4.66	1.80	4.76	1.80	5.04	1.80	5.23	1.80
2.5+3.5	22.0	6.43	1.92	6.77	1.99	7.07	2.02	7.22	2.04	7.66	2.10	7.96	2.14
	25.0	6.30	3.02	6.59	2.06	6.89	2.09	7.04	2.11	7.48	2.17	7.78	2.21
	32.0	5.88	2.20	6.17	2.23	6.47	2.27	6.62	2.29	7.06	2.35	7.36	2.38
	35.0	5.70	2.28	5.99	2.32	6.29	2.35	6.44	2.37	6.89	2.43	7.18	2.47
	40.0	5.40	2.42	5.70	2.46	5.99	2.50	6.14	2.52	6.59	2.57	6.88	2.61
	43.0	5.07	2.31	5.32	2.31	5.57	2.31	5.69	2.31	6.04	2.31	6.26	2.31
	46.0	4.35	1.80	4.55	1.80	4.73	1.80	4.83	1.80	5.10	1.80	5.28	1.80

3D059170

SYMBOLS

TC: Total capacity (kW)
PI: Power input (kW)

NOTE

- Capacities are based on the following conditions.
Corresponding refrigerant piping length: 5m
Level difference: 0m
- The bold line **□** is indicated the standard condition.
- The above is the value for connecting with the following indoor units.
2.0, 2.5, 3.5, 5.0 kW Class; wall mounted D series
6.0 kW class; wall mounted F series

4 Capacity tables

4 - 2 Cooling capacity tables

3MXS68G

★ Cooling (50Hz 230V)

Combination (Capacity)	outdoor air temp. °CDB	Indoor air temp.: °CWB											
		14.0°C		16.0°C		18.0°C		19.0°C		22.0°C		24.0°C	
		TC	PI	TC	PI	TC	PI	TC	PI	TC	PI	TC	PI
2.0+2.5+2.5	22.0	7.26	2.05	7.60	2.09	7.93	2.13	8.09	2.15	8.59	2.21	8.93	2.25
	2.5	7.06	2.13	7.39	2.177	7.73	2.21	7.89	2.23	8.39	2.29	8.72	2.33
	32.0	6.59	2.32	6.92	2.36	7.26	2.40	7.42	2.42	7.92	2.48	8.25	2.25
	35.0	6.39	2.40	6.72	2.44	7.05	2.48	7.22	2.50	7.72	2.56	8.05	2.60
	40.0	6.05	2.56	6.38	2.60	6.72	2.64	6.88	2.66	7.38	2.72	7.72	2.76
	43.0	5.56	2.31	5.83	2.31	6.09	2.31	6.21	2.31	6.59	2.31	6.83	2.31
	46.0	4.73	1.80	4.93	1.80	5.13	1.80	5.23	1.80	5.52	1.80	5.71	1.80
2.0+2.5+3.5	22.0	7.60	2.26	7.95	2.30	8.30	2.35	8.48	2.37	9.00	2.44	9.35	2.48
	25.0	7.39	2.34	7.74	2.39	8.09	2.43	8.26	2.45	8.79	2.52	9.13	2.56
	32.0	6.90	2.55	7.25	2.59	7.60	2.64	7.77	2.66	8.29	2.72	8.64	2.77
	35.0	6.69	2.64	7.04	2.69	7.39	2.73	7.56	2.75	8.08	2.82	8.43	2.86
	40.0	6.33	2.81	6.65	2.81	6.96	2.81	7.12	2.81	7.57	2.81	7.86	2.81
	43.0	5.69	2.31	5.95	2.31	6.20	2.31	6.32	2.31	6.69	2.31	6.93	2.31
	46.0	4.85	1.80	5.05	1.80	5.24	1.80	5.34	1.80	5.63	1.80	5.81	1.80
2.0+2.5+5.0	22.0	6.76	2.03	7.35	2.23	7.68	2.27	7.84	2.29	8.32	2.36	8.64	2.40
	25.0	6.76	2.22	7.16	2.31	7.48	2.35	7.64	2.37	8.12	2.43	8.45	2.48
	32.0	6.38	2.46	6.70	2.51	7.02	2.55	7.19	2.57	7.67	2.63	7.99	2.68
	35.0	6.18	2.56	6.51	2.60	6.83	2.64	6.99	2.66	7.47	2.73	7.80	2.77
	40.0	5.86	2.72	6.18	2.76	6.50	2.80	6.65	2.81	7.08	2.81	7.36	2.81
	43.0	5.34	2.31	5.59	2.31	5.83	2.31	5.95	2.31	6.30	2.31	6.53	2.31
	46.0	4.58	1.80	4.78	1.80	4.97	1.80	5.06	1.80	5.33	1.80	5.51	1.80
2.0+2.5+6.0	22.0	7.70	2.34	8.05	2.39	8.40	2.43	8.58	2.46	9.10	2.52	9.46	2.57
	25.0	7.48	2.43	7.83	2.47	8.19	2.52	8.36	2.54	8.89	2.61	9.24	2.65
	32.0	6.98	2.64	7.34	2.69	7.69	2.73	7.86	2.75	8.39	2.82	8.74	2.87
	35.0	6.77	2.74	7.12	2.78	7.47	2.83	7.65	2.85	8.19	2.92	8.53	2.97
	40.0	6.36	2.81	6.67	2.81	6.98	2.81	7.13	2.81	7.58	2.81	7.87	2.81
	43.0	5.72	2.31	5.98	2.31	6.23	2.31	6.35	2.31	6.71	2.31	6.95	2.31
	46.0	4.88	1.80	5.08	1.80	5.28	1.80	5.37	1.80	5.66	1.80	5.84	1.80
2.0+3.5+3.5	22.0	7.96	2.51	8.32	2.56	8.69	2.61	8.87	2.64	9.41	2.71	9.78	2.76
	25.0	7.74	2.61	8.10	2.65	8.46	2.70	8.65	2.73	9.19	2.80	9.56	2.85
	32.0	7.22	2.83	7.58	2.88	7.95	2.93	8.13	2.96	8.68	3.03	9.04	3.08
	35.0	7.00	2.94	7.36	2.99	7.73	3.04	7.91	3.06	8.46	3.13	8.82	3.19
	40.0	6.49	2.81	6.80	2.81	7.11	2.81	7.26	2.81	7.70	2.81	7.99	2.81
	43.0	5.85	2.31	6.11	2.31	6.36	2.31	6.48	2.31	6.84	2.31	7.07	2.31
	46.0	5.00	1.80	5.20	1.80	5.40	1.80	5.49	1.80	5.77	1.80	5.95	1.80
2.0+3.5+5.0	22.0	5.18	2.27	5.52	2.31	5.89	2.36	6.08	2.38	6.64	2.44	10.01	2.49
	25.0	7.92	2.35	8.29	2.39	8.67	2.44	8.85	2.46	9.41	2.53	9.79	2.59
	32.0	7.39	2.56	7.77	2.60	8.15	2.64	8.33	2.67	8.89	2.73	9.26	2.78
	35.0	7.17	2.65	7.54	2.70	7.91	2.74	8.10	2.76	8.66	2.83	9.03	2.87
	40.0	6.78	2.81	7.11	2.81	7.44	2.81	7.60	2.81	8.08	2.81	8.38	2.81
	43.0	6.03	2.31	6.30	2.31	6.57	2.31	6.70	2.31	7.09	2.31	7.34	2.31
	46.0	5.10	1.80	5.31	1.80	5.52	1.80	5.62	1.80	5.92	1.80	6.11	1.80

Combination (Capacity)	outdoor air temp. °CDB	Indoor air temp.: °CWB											
		14.0		16.0		18.0		19.0		22.0		24.0	
		TC	PI	TC	PI	TC	PI	TC	PI	TC	PI	TC	PI
2.5+2.5+2.5	22.0	8.31	2.42	8.69	2.47	9.07	2.52	9.26	2.54	9.83	2.61	10.21	2.66
	25.0	8.08	2.51	8.46	2.56	8.84	2.61	9.03	2.63	9.60	2.70	9.98	2.75
	32.0	7.54	2.73	7.92	2.78	8.30	2.83	8.49	2.85	9.06	2.92	9.44	2.97
	35.0	7.31	2.84	7.69	2.88	8.07	2.93	8.26	2.95	8.83	3.02	9.21	3.07
	40.0	6.80	2.81	7.12	2.81	7.45	2.81	7.60	2.81	8.07	2.81	8.37	2.81
	43.0	6.07	2.31	6.34	2.31	6.60	2.31	6.73	2.31	7.11	2.31	7.35	2.31
	46.0	5.15	1.80	5.36	1.80	5.56	1.80	5.66	1.80	5.95	1.80	6.15	1.80
2.5+2.5+3.5	22.0	6.55	1.55	6.85	1.58	7.15	1.61	7.30	1.63	7.75	1.67	8.05	1.70
	25.0	6.37	1.61	6.67	1.64	6.97	1.67	7.12	1.68	7.57	1.73	7.87	1.76
	32.0	5.94	1.75	6.24	1.78	6.54	1.81	6.69	1.83	7.15	1.87	7.44	1.90
	35.0	5.76	1.82	6.06	1.85	6.36	1.88	6.51	1.89	6.96	1.94	7.26	1.97
	40.0	5.46	1.93	5.76	1.96	6.06	1.99	6.21	2.01	6.66	2.05	6.96	2.08
	43.0	5.28	2.01	5.58	2.04	5.88	2.07	6.02	2.08	6.47	2.13	6.77	2.16
	46.0	4.71	1.80	4.94	1.80	5.16	1.80	5.27	1.80	5.58	1.80	5.79	1.80
2.5+2.5+5.0	22.0	6.93	1.74	7.25	1.78	7.57	1.81	7.72	1.83	8.20	1.88	8.52	1.91
	25.0	6.76	1.80	7.06	1.84	7.37	1.87	7.53	1.89	8.01	1.94	8.33	1.97
	32.0	6.29	1.96	6.61	2.00	6.92	2.03	7.08	2.05	7.56	2.10	7.88	2.13
	35.0	6.10	2.04	6.41	2.07	6.73	2.11	6.89	2.12	7.37	2.17	7.68	2.21
	40.0	5.78	2.17	6.09	2.20	6.41	2.24	6.57	2.25	7.5	2.30	7.36	2.34
	43.0	5.58	2.25	5.90	2.28	6.20	2.31	6.34	2.31	6.73	2.31	6.99	2.31
	46.0	4.74	1.80	4.96	1.80	5.17	1.80	5.27	1.80	5.58	1.80	5.78	1.80
2.5+2.5+6.0	22.0	7.29	1.93	7.63	1.97	7.96	2.01	8.13	2.03	8.63	2.08	8.96	2.12
	25.0	7.09	2.00	7.42	2.04	7.76	2.08	7.93	2.09	8.43	2.15	8.76	2.19
	32.0	6.62	2.18	6.95	2.21	7.29	2.25	7.45	2.27	7.95	2.33	8.29	2.36
	35.0	6.41	2.26	6.75	2.30	7.08	2.33	7.25	2.35	7.75	2.41	8.09	2.45
	40.0	6.08	2.40	6.41	2.44	6.75	2.48	6.91	2.50	7.41	2.55	7.75	2.59
	43.0	5.69	2.31	5.97	2.31	6.24	2.31	6.37	2.31	6.75	2.31	7.01	2.31
	46.0	4.80	1.80	5.01	1.80	5.22	1.80	5.32	1.80	5.63	1.80	5.82	1.80
2.5+3.5+3.5	22.0	7.92	2.05	8.28	2.09	8.64	2.13	8.82	2.15	9.37	2.21	9.73	2.25
	25.0	7.70	2.12	8.06	2.13	8.42	2.20	8.60	2.22	9.15	2.28	9.51	2.32
	32.0	7.18	2.31	7.55	2.35	7.91	2.39	8.09	2.41	8.63	2.47	9.00	2.51
	35.0	6.96	2.39	7.33	2.43	7.69	2.47	7.87	2.49	8.41	2.55	8.78	2.59
	40.0	6.60	2.55	6.96	2.53	7.32	2.63	7.50	2.65	8.05	2.71	8.41	2.75
	43.0	6.03	2.31	6.31	2.31	6.59	2.31	6.73	2.31	7.13	2.31	7.38	2.31
	46.0	5.06	1.80	5.28	1.80	5.50	1.80	5.60	1.80	5.91	1.80	6.12	1.80
2.5+3.5+5.0	22.0	8.16	2.17	8.53	2.21	8.91	2.25	9.09	2.28	9.65	2.34	10.03	2.38
	25.0	7.93	2.25	8.30	2.29	8.68	2.33	8.87	2.35	9.43	2.42	9.80	2.46
	32.0	7.40	2.45	7.78	2.49	8.15	2.53	8.34	2.55	8.90	2.61	9.27	2.66
	35.0	7.18	2.54	7.55	2.58	7.92	2.62	8.11	2.64	8.67	2.71	9.04	2.75
	40.0	6.80	2.70	7.17	2.74	7.55	2.78	7.73	2.80	8.22	2.81	8.53	2.81

4 Capacity tables

4 - 2 Cooling capacity tables

3MXS68G

★ Cooling (50Hz 230V)

Combination (Capacity)	outdoor air temp. °CDB	Indoor air temp.: °CWB											
		14.0°C		16.0°C		18.0°C		19.0°C		22.0°C		24.0°C	
		TC kW	PI kW	TC kW	PI kW	TC kW	PI kW	TC kW	PI kW	TC kW	PI kW	TC kW	PI kW
2.0+2.5+2.5	22.0	7.16	1.86	7.47	1.89	7.80	1.93	7.96	1.95	8.45	2.00	8.78	2.04
	25.0	6.94	1.92	7.27	1.96	7.60	2.00	7.76	2.01	8.25	2.07	8.58	2.10
	32.0	6.48	2.09	6.81	2.13	7.13	2.17	7.30	2.18	7.79	2.24	8.12	2.27
	35.0	6.28	2.17	6.61	2.21	6.94	2.24	7.10	2.26	7.59	2.32	7.92	2.35
	40.0	5.95	2.31	6.28	2.35	6.61	2.33	6.77	2.40	7.26	2.46	7.59	2.49
	43.0	5.66	2.31	5.94	2.31	6.21	2.31	6.34	2.31	6.73	2.31	6.98	2.31
	46.0	4.77	1.80	4.98	1.80	5.19	1.80	5.29	1.80	5.60	1.80	5.79	1.80
2.0+2.5+3.5	22.0	7.63	2.13	7.98	2.17	8.33	2.21	8.51	2.23	9.03	2.29	9.38	2.34
	25.0	7.42	2.20	7.77	2.25	8.12	2.29	8.30	2.31	8.82	2.37	9.17	2.41
	32.0	6.93	2.40	7.28	2.44	7.63	2.48	7.80	2.50	8.33	2.56	8.68	2.61
	35.0	6.72	2.49	7.07	2.53	7.42	2.57	7.59	2.59	8.11	2.65	8.46	2.70
	40.0	6.36	2.65	6.71	2.69	7.06	2.73	7.24	2.75	7.75	2.81	8.05	2.81
	43.0	5.77	2.31	6.04	2.31	6.30	2.31	6.43	2.31	6.81	2.31	7.06	2.31
	46.0	4.89	1.80	5.10	1.80	5.30	1.80	5.40	1.80	5.70	1.80	5.89	1.80
2.0+2.5+5.0	22.0	7.99	2.09	8.35	2.13	8.72	2.17	8.90	2.19	9.45	2.25	9.82	2.29
	25.0	7.76	2.16	8.13	2.20	8.50	2.24	8.68	2.26	9.23	2.32	9.59	2.37
	32.0	7.25	2.35	7.61	2.39	7.98	2.43	8.16	2.45	8.71	2.52	9.08	2.56
	35.0	7.03	2.44	7.39	2.48	7.76	2.52	7.94	2.54	8.49	2.60	8.85	2.64
	40.0	6.66	2.60	7.02	2.64	7.39	2.68	7.57	2.70	8.12	2.76	8.48	2.80
	43.0	6.04	2.31	6.32	2.31	6.60	2.31	6.74	2.31	7.13	2.31	7.39	2.31
	46.0	5.08	1.80	5.30	1.80	5.51	1.80	5.62	1.80	5.93	1.80	6.13	1.80
2.0+2.5+6.0	22.0	8.43	2.33	8.82	2.38	9.20	2.42	9.39	2.45	9.97	2.52	10.36	2.56
	25.0	8.20	2.42	8.58	2.46	8.97	2.51	9.16	2.53	9.74	2.60	10.13	2.65
	32.0	7.65	2.63	8.03	2.68	8.42	2.72	8.61	2.74	9.19	2.81	9.58	2.86
	35.0	7.41	2.73	7.80	2.77	8.19	2.82	8.38	2.84	8.96	2.91	9.35	2.96
	40.0	6.95	2.81	7.29	2.81	7.62	2.81	7.79	2.81	8.26	2.81	8.57	2.81
	43.0	6.17	2.31	6.45	2.31	6.72	2.31	6.85	2.31	7.24	2.31	7.50	2.31
	46.0	5.21	1.80	5.43	1.80	5.64	1.80	5.74	1.80	6.04	1.80	6.24	1.80
2.0+3.5+3.5	22.0	7.96	2.34	8.32	2.39	8.69	2.43	8.87	2.46	9.41	2.52	9.78	2.57
	25.0	7.74	2.43	8.10	2.47	8.46	2.52	8.65	2.54	9.19	2.61	9.56	2.65
	32.0	7.22	2.64	7.58	2.69	7.95	2.73	8.13	2.75	8.68	2.82	9.04	2.87
	35.0	7.00	2.74	7.36	2.78	7.73	2.83	7.91	2.85	8.46	2.92	8.82	2.97
	40.0	6.57	2.81	6.89	2.81	7.21	2.81	7.36	2.81	7.82	2.81	8.11	2.81
	43.0	5.88	2.31	6.16	2.31	6.40	2.31	6.53	2.31	6.90	2.31	7.15	2.31
	46.0	5.00	1.80	5.20	1.80	5.40	1.80	5.50	1.80	5.79	1.80	5.98	1.80
2.0+3.5+5.0	22.0	8.40	2.33	8.78	2.38	9.17	2.42	9.36	2.45	9.94	2.52	10.32	2.56
	25.0	8.17	2.42	8.55	2.46	8.94	2.51	9.13	2.53	9.70	2.60	10.09	2.65
	32.0	7.62	2.63	8.01	2.68	8.39	2.72	8.58	2.74	9.16	2.81	9.55	2.86
	35.0	7.39	2.73	7.77	2.77	8.16	2.82	8.35	2.84	8.93	2.91	9.31	2.96
	40.0	6.93	2.81	7.27	2.81	7.60	2.81	7.76	2.81	8.24	2.81	8.54	2.81
	43.0	6.15	2.31	6.43	2.31	6.70	2.31	6.83	2.31	7.22	2.31	7.47	2.31
	46.0	5.20	1.80	5.41	1.80	5.62	1.80	5.72	1.80	6.03	1.80	6.22	1.80

Combination (Capacity)	outdoor air temp. °CDB	Indoor air temp.: °CWB											
		14.0		16.0		18.0		19.0		22.0		24.0	
		TC kW	PI kW	TC kW	PI kW	TC kW	PI kW	TC kW	PI kW	TC kW	PI kW	TC kW	PI kW
2.5+2.5+2.5	22.0	7.42	2.01	7.76	2.05	8.10	2.09	8.27	2.11	8.78	2.17	9.12	2.21
	25.0	7.22	2.09	7.56	2.12	7.90	2.16	8.07	2.18	8.58	2.24	8.92	2.28
	32.0	6.74	2.27	7.08	2.31	7.42	2.35	7.59	2.37	8.10	2.43	8.44	2.47
	35.0	6.53	2.35	6.87	2.39	7.21	2.43	7.38	2.45	7.89	2.51	8.23	2.55
	40.0	6.19	2.51	6.53	2.54	6.87	2.58	7.04	2.60	7.55	2.66	7.89	2.70
	43.0	5.71	2.31	5.98	2.31	6.25	2.31	6.38	2.31	6.76	2.31	7.01	2.31
	46.0	4.83	1.80	5.04	1.80	5.24	1.80	5.34	1.80	5.64	1.80	5.84	1.80
2.5+2.5+3.5	22.0	7.83	2.26	8.18	2.30	8.54	2.35	8.72	2.37	9.26	2.44	9.62	2.48
	25.0	7.61	2.34	7.97	2.39	8.33	2.43	8.50	2.45	9.04	2.52	9.40	2.56
	32.0	7.10	2.55	7.46	2.59	7.82	2.64	8.00	2.66	8.54	2.72	8.89	2.77
	35.0	6.88	2.64	7.24	2.69	7.60	2.73	7.78	2.75	8.32	2.82	8.68	2.86
	40.0	6.52	2.81	6.84	2.81	7.16	2.81	7.32	2.81	7.78	2.81	8.08	2.81
	43.0	5.83	2.31	6.09	2.31	6.35	2.31	6.48	2.31	6.85	2.31	7.10	2.31
	46.0	4.95	1.80	5.15	1.80	5.36	1.80	5.46	1.80	5.75	1.80	5.94	1.80
2.5+2.5+5.0	22.0	8.33	2.29	8.71	2.34	9.09	2.38	9.28	2.40	9.85	2.47	10.24	2.52
	25.0	8.10	2.38	8.48	2.42	8.86	2.46	9.05	2.49	9.62	2.55	10.00	2.60
	32.0	7.56	2.58	7.94	2.63	8.32	2.67	8.51	2.70	9.08	2.76	9.47	2.81
	35.0	7.33	2.68	7.71	2.73	8.09	2.77	8.28	2.79	8.85	2.86	9.23	2.90
	40.0	6.91	2.81	7.25	2.81	7.58	2.81	7.74	2.81	8.22	2.81	8.53	2.81
	43.0	6.13	2.31	6.41	2.31	6.68	2.31	6.81	2.31	7.20	2.31	7.45	2.31
	46.0	5.17	1.80	5.39	1.80	5.60	1.80	5.70	1.80	6.00	1.80	6.20	1.80
2.5+2.5+6.0	22.0	8.62	2.47	9.02	2.51	9.41	2.56	9.61	2.59	10.20	2.66	10.59	2.71
	25.0	8.38	2.55	8.78	2.60	9.17	2.65	9.37	2.67	9.96	2.75	10.36	2.79
	32.0	7.82	2.78	8.22	2.83	8.61	2.87	8.81	2.90	9.40	2.97	9.80	3.02
	35.0	7.58	2.88	7.98	2.93	8.37	2.98	8.57	.00	9.16	3.08	9.56	3.12
	40.0	7.01	2.81	7.35	2.81	7.67	2.81	7.84	2.81	8.31	2.81	8.61	2.81
	43.0	6.24	2.31	6.51	2.31	6.78	2.31	6.91	2.31	7.30	2.31	7.55	2.31
	46.0	5.28	1.80	5.49	1.80	5.70	1.80	5.80	1.80	6.10	1.80	6.30	1.80
2.5+3.5+3.5	22.0	8.19	2.51	8.56	2.56	8.94	2.61	9.13	2.64	9.69	2.71	10.06	2.76
	25.0	7.96	2.61	8.34	2.65	8.71	2.70	8.90	2.73	9.46	2.80	9.84	2.85
	32.0	7.43	2.83	7.80	2.88	8.18	2.93	8.37	2.96	8.93	3.03	9.30	3.08
	35.0	7.20	2.94	7.58	2.99	7.95	3.04	8.14	3.06	8.70	3.14	9.08	3.19
	40.0	6.6	2.81	6.98	2.81	7.29	2.81	7.45	2.81	7.90	2.81	8.19	2.81
	43.0	5.98	2.31	6.24	2.31	6.50	2.31	6.62	2.31	6.99	2.31	7.23	2.31
	46.0	5.10	1.80	5.30	1.80	5.50	1.80	5.60	1.80	5.88	1.80	6.07	1.80
2.5+3.5+5.0	22.0	8.60	2.47	8.99	2.51	9.39	2.56	9.59	2.59	10.18	2.66	10.57	2.71
	25.0	8.36	2.55	8.76	2.60	9.15	2.65	9.35	2.67	9.94	2.75	10.33	2.79
	32.0	7.80	2.78	8.20	2.83	8.59	2.87	8.79	2.90	9.38	2.97	9.77	3.02
	35.0	7.57	2.88	7.96	2.93	8.35	2.98	8.55	3.00	9.14	3.08	9.53	3.12
	40.0	7.00	2.81	7.33	2.81	7.66	2.81	7.82	2.81	8.29	2.81	8.60	2.81
	43.0	6.23	2.31	6.50	2.31	6.77	2.31	6.90	2.31	7.29	2.31	7.54	2.31
	46.0	5.27	1.80	5.48	1.80	5.69	1.80	5.79	1.80	6.09	1.80	6.29	1.80

3D059172

SYMBOLS

TC: Total capacity (kW)
PI: Power input (kW)

NOTE

- Capacities are based on the following conditions.
Corresponding refrigerant piping length: 5m
Level difference: 0m
- The bold line is indicated the standard condition.
- The above is the value for connecting with the following indoor units.
2.0, 2.5, 3.5, 5.0 kW Class; wall mounted D series
6.0 kW class; wall mounted F series

4 Capacity tables

4 - 2 Cooling capacity tables

3MXS68G

★ Cooling (50Hz 230V)

Combination (Capacity)	outdoor air temp. °CDB	Indoor air temp.: °CWB											
		14.0°C		16.0°C		18.0°C		19.0°C		22.0°C		24.0°C	
		TC kW	PI kW	TC kW	PI kW	TC kW	PI kW	TC kW	PI kW	TC kW	PI kW	TC kW	PI kW
3.5+3.5+3.5	22.0	8.47	2.74	8.86	2.79	9.25	2.84	9.44	2.87	10.02	2.95	10.41	3.00
	25.0	8.23	2.83	8.62	2.89	9.01	2.94	9.20	2.97	9.79	3.05	10.17	3.10
	32.0	7.69	3.08	8.07	3.14	8.46	3.19	8.66	3.22	9.24	3.30	9.63	3.35
	35.0	7.45	3.20	7.84	3.25	8.23	3.31	8.42	3.33	9.00	3.41	9.39	3.47
	40.0	6.82	2.81	7.14	2.81	7.45	2.81	7.60	2.81	8.04	2.81	8.33	2.81
	43.0	6.15	2.31	6.40	2.31	6.66	2.31	6.78	2.31	7.14	2.31	7.38	2.31
	46.0	5.25	1.80	5.45	1.80	5.65	1.80	5.74	1.80	6.03	1.80	6.21	1.80

3D059173

SYMBOLS

TC: Total capacity (kW)
PI: Power input (kW)

NOTE

- Capacities are based on the following conditions.
Corresponding refrigerant piping length: 5m
Level difference: 0m
- The bold line is indicated the standard condition.
- The above is the value for connecting with the following indoor units.
2.0, 2.5, 3.5, 5.0 kW Class; wall mounted D series
6.0 kW class; wall mounted F series



1
4

4 Capacity tables

4 - 2 Cooling capacity tables

3MXS68G

★ Cooling (50Hz 230V)

Combination (Capacity)	outdoor air temp. °CDB	Indoor air temp.: °CWB											
		14.0°C		16.0°C		18.0°C		19.0°C		22.0°C		24.0°C	
		TC kW	PI kW	TC kW	PI kW	TC kW	PI kW	TC kW	PI kW	TC kW	PI kW	TC kW	PI kW
2.0	22.0	2.65	0.51	2.77	0.52	2.89	0.53	2.95	0.53	3.13	0.55	3.25	0.56
	25.0	2.57	0.53	2.69	0.54	2.81	0.55	2.87	0.55	3.06	0.57	3.18	0.58
	32.0	2.40	0.57	2.52	0.58	2.64	0.59	2.70	0.60	2.89	0.61	3.01	0.62
	35.0	2.33	0.60	2.45	0.61	2.57	0.62	2.63	0.62	2.81	0.64	2.93	0.65
	40.0	2.20	0.63	2.33	0.64	2.45	0.65	2.51	0.66	2.69	0.67	2.81	0.68
	43.0	2.13	0.66	2.25	0.67	2.37	0.68	2.43	0.68	2.62	0.70	2.74	0.71
	46.0	2.06	0.68	2.18	0.69	2.30	0.70	2.36	0.71	2.54	0.72	2.66	0.73
2.5	22.0	3.05	0.61	3.55	0.71	3.70	0.73	3.78	0.73	4.01	0.75	4.17	0.77
	25.0	3.05	0.65	3.45	0.74	3.61	0.75	3.68	0.76	3.92	0.78	4.07	0.79
	32.0	3.05	0.78	3.23	0.80	3.39	0.81	3.46	0.82	3.70	0.84	3.85	0.86
	35.0	2.98	0.82	3.14	0.83	3.29	0.84	3.37	0.85	3.60	0.87	3.76	0.88
	40.0	2.82	0.87	2.98	0.88	3.14	0.90	3.21	0.90	3.45	0.92	3.60	0.94
	43.0	2.73	0.90	2.89	0.92	3.04	0.93	3.12	0.94	3.35	0.96	3.51	0.97
	46.0	2.64	0.94	2.79	0.95	2.95	0.96	3.02	0.97	3.26	0.99	3.41	1.00
3.5	22.0	3.38	0.74	4.15	0.94	4.98	1.17	5.34	1.27	5.67	1.30	5.88	1.33
	25.0	3.38	0.79	4.15	1.00	4.98	1.25	5.20	1.31	5.53	1.35	5.75	1.37
	32.0	3.38	0.94	4.15	1.20	4.78	1.41	4.89	1.42	5.22	1.46	5.44	1.48
	35.0	3.38	1.01	4.15	1.30	4.65	1.46	4.76	1.47	5.09	1.51	5.31	1.53
	40.0	3.38	1.16	4.15	1.49	4.43	1.55	4.54	1.56	4.87	1.60	5.09	1.62
	43.0	3.38	1.26	4.08	1.58	4.30	1.61	4.41	1.62	4.73	1.65	4.95	1.68
	46.0	3.38	1.38	3.94	1.64	4.16	1.67	4.27	1.68	4.60	1.71	4.82	1.74
4.2	22.0	3.38	0.74	4.15	0.94	4.98	1.17	5.42	1.31	5.97	1.44	6.21	1.46
	25.0	3.38	0.79	4.15	1.00	4.98	1.25	5.42	1.41	5.83	1.48	6.07	1.51
	32.0	3.38	0.94	4.15	1.20	4.98	1.52	5.16	1.57	5.51	1.60	5.74	1.63
	35.0	3.38	1.01	4.15	1.30	4.90	1.61	5.02	1.62	5.37	1.66	5.60	1.69
	40.0	3.38	1.16	4.15	1.49	4.67	1.71	4.79	1.72	5.13	1.76	5.36	1.79
	43.0	3.38	1.26	4.15	1.64	4.53	1.77	4.65	1.78	4.99	1.82	5.22	1.85
	46.0	3.38	1.38	4.15	1.80	4.35	1.80	4.44	1.80	4.73	1.80	4.91	1.80
5.0	22.0	4.33	1.09	5.32	1.41	6.38	1.82	6.63	1.90	7.03	1.95	7.31	1.98
	25.0	4.33	1.17	5.32	1.52	6.32	1.94	6.46	1.96	6.84	2.01	7.14	2.05
	32.0	4.33	1.39	5.32	1.84	5.94	2.11	6.08	2.13	6.48	2.18	6.76	2.21
	35.0	4.33	1.51	5.32	2.02	5.77	2.18	5.91	2.20	6.32	2.26	6.59	2.29
	40.0	4.33	1.75	5.23	2.28	5.50	2.32	5.6	2.34	6.04	2.39	6.32	2.43
	43.0	4.33	1.93	5.01	2.31	5.25	2.31	5.37	2.31	5.71	2.31	5.93	2.31
	46.0	4.11	1.80	4.30	1.80	4.48	1.80	4.57	1.80	4.84	1.80	5.01	1.80
6.0	22.0	5.60	1.51	6.71	1.94	7.01	1.98	7.15	2.00	7.59	2.06	7.89	2.09
	25.0	5.60	1.63	6.53	2.01	6.83	2.05	6.97	2.07	7.42	2.12	7.71	2.16
	32.0	5.60	2.00	6.12	2.19	6.41	2.22	6.56	2.24	7.00	2.0	7.29	2.33
	35.0	5.60	2.20	5.94	2.27	6.23	2.30	6.38	2.32	6.82	2.38	7.11	2.42
	40.0	5.35	2.37	5.64	2.41	5.94	2.45	6.08	2.46	6.52	2.52	6.82	2.56
	43.0	5.06	2.31	5.31	2.31	5.55	2.31	5.67	2.31	6.03	2.31	6.25	2.31
	46.0	4.34	1.80	4.53	1.80	4.72	1.80	4.81	1.80	5.09	1.80	5.26	1.80

Combination (Capacity)	outdoor air temp. °CDB	Indoor air temp.: °CWB											
		14.0		16.0		18.0		19.0		22.0		24.0	
		TC kW	PI kW	TC kW	PI kW	TC kW	PI kW	TC kW	PI kW	TC kW	PI kW	TC kW	PI kW
2.0+2.0	22.0	5.05	1.19	5.28	1.21	5.51	1.24	5.63	1.25	5.97	1.28	6.21	1.31
	25.0	4.91	1.23	5.14	1.26	5.37	1.28	5.49	1.29	5.83	1.33	6.07	1.35
	32.0	4.58	1.34	4.81	1.37	5.04	1.39	5.16	1.40	5.51	1.44	5.74	1.46
	35.0	4.44	1.39	4.67	1.42	4.90	1.44	5.02	1.45	5.37	1.49	5.60	1.51
	40.0	4.21	1.48	4.44	1.51	4.67	1.53	4.79	1.54	5.13	1.58	5.36	1.60
	43.0	4.07	1.54	4.30	1.56	4.53	1.59	4.65	1.60	4.99	1.63	5.22	1.66
	46.0	3.93	1.60	4.16	1.62	4.39	1.64	4.51	1.66	4.85	1.69	5.08	1.71
2.0+2.5	22.0	5.36	1.32	5.61	1.35	5.85	1.37	5.98	1.39	6.34	1.43	6.59	1.45
	25.0	5.21	1.37	5.46	1.40	5.70	1.42	5.83	1.44	6.19	1.47	6.44	1.50
	32.0	4.87	1.49	5.11	1.52	5.36	1.54	5.48	1.56	5.85	1.59	6.09	1.62
	35.0	4.72	1.55	4.96	1.57	5.21	1.60	5.33	1.61	5.70	1.65	5.94	1.68
	40.0	4.47	1.65	4.71	1.67	4.96	1.70	5.08	1.71	5.45	1.75	5.70	1.77
	43.0	4.32	1.71	4.56	1.73	4.81	1.76	4.93	1.77	5.30	1.81	5.55	1.84
	46.0	4.17	1.77	4.42	1.80	4.63	1.80	4.73	1.80	5.03	1.80	5.22	1.80
2.0+3.5	22.0	6.22	1.77	6.50	1.80	6.79	1.84	6.93	1.85	7.36	1.90	7.65	1.94
	25.0	6.04	1.83	6.33	1.86	6.61	1.90	6.76	1.92	7.18	1.97	7.47	2.00
	32.0	5.64	1.99	5.93	2.03	6.21	2.06	6.35	2.08	6.78	2.13	7.06	2.16
	35.0	5.47	2.07	5.75	2.10	6.04	2.14	6.18	2.15	6.61	2.20	6.89	2.24
	40.0	5.18	2.20	5.47	2.23	5.75	2.27	5.89	2.28	6.32	2.34	6.60	2.37
	43.0	5.01	2.28	5.28	2.31	5.53	2.31	5.65	2.31	6.01	2.31	6.25	2.31
	46.0	4.29	1.80	4.49	1.80	4.68	1.80	4.78	1.80	5.06	1.80	5.24	1.80
2.0+4.2	22.0	6.42	1.89	6.71	1.93	7.01	1.96	7.15	1.98	7.59	2.04	7.89	2.07
	25.0	6.24	1.96	6.53	1.99	6.83	2.03	6.97	2.05	7.42	2.11	7.71	2.14
	32.0	5.82	2.13	6.12	2.17	6.41	2.20	6.56	2.22	7.00	2.28	7.29	2.31
	35.0	5.65	2.21	5.94	2.25	6.23	2.28	6.38	2.30	6.82	2.36	7.11	2.39
	40.0	5.35	2.35	5.64	2.39	5.94	2.43	6.08	2.44	6.52	2.50	6.82	2.54
	43.0	5.07	2.31	5.32	2.31	5.57	2.31	5.69	2.31	6.04	2.31	6.27	2.31
	46.0	4.34	1.80	4.54	1.80	4.73	1.80	4.82	1.80	5.10	1.80	5.28	1.80
2.0+5.0	22.0	7.16	2.18	7.49	2.22	7.82	2.26	7.98	2.28	8.47	2.35	8.80	2.39
	25.0	6.96	2.26	7.29	2.30	7.62	2.34	7.78	2.36	8.28	2.43	8.60	2.47
	32.0	6.50	2.45	6.83	2.50	7.15	2.54	7.32	2.56	7.81	2.62	8.14	2.67
	35.0	6.30	2.55	6.63	2.59	6.96	2.63	7.12	2.65	7.61	2.72	7.94	2.76
	40.0	5.97	2.71	6.30	2.75	6.62	2.79	6.78	2.81	7.22	2.81	7.50	2.81
	43.0	5.43	2.31	5.68	2.31	5.93	2.31	6.05	2.31	6.41	2.31	6.64	2.31
	46.0	4.65	1.80	4.84	1.80	5.04	1.80	5.13	1.80	5.41	1.80	5.59	1.80
2.0+6.0	22.0	7.60	2.26	7.95	2.30	8.30	2.35	8.48	2.37	9.00	2.44	9.35	2.48
	25.0	7.39	2.34	7.74	2.39	8.09	2.43	8.26	2.45	8.79	2.52	9.13	2.56
	32.0	6.90	2.55	7.25	2.59	7.60	2.64	7.77	2.66	8.29	2.72	8.64	2.77
	35.0	6.69	2.64	7.04	2.69	7.39	2.73	7.56	2.75	8.08	2.82	8.43	2.86
	40.0	6.33	2.81	6.65	2.81	6.96	2.81	7.12	2.81	7.57	2.81	7.86	2.81
	43.0	5.69	2.31	5.95	2.31	6.20	2.31	6.32	2.31	6.69	2.31	6.93	2.31
	46.0	4.85	1.80	5.05	1.80	5.24	1.80	5.34	1.80	5.63	1.80	5.81	1.80

3D059177

SYMBOLS

TC: Total capacity (kW)
PI: Power input (kW)

NOTE

- Capacities are based on the following conditions.
Corresponding refrigerant piping length: 5m
Level difference: 0m
- The bold line **□** is indicated the standard condition.
- The above is the value for connecting with the following indoor units.
2.0, 2.5, 3.5, 5.0 kW Class; wall mounted G series
6.0 kW class; wall mounted F series

4 Capacity tables

4 - 2 Cooling capacity tables

3MXS68G

★ Cooling (50Hz 230V)

Combination (Capacity)	outdoor air temp. °CDB	Indoor air temp.: °CWB											
		14.0°C		16.0°C		18.0°C		19.0°C		22.0°C		24.0°C	
		TC kW	PI kW	TC kW	PI kW	TC kW	PI kW	TC kW	PI kW	TC kW	PI kW	TC kW	PI kW
2.5+2.5	22.0	6.02	1.64	6.29	1.68	6.57	1.71	6.70	1.72	7.12	1.77	7.39	1.80
	25.0	5.85	1.70	6.12	1.73	6.40	1.77	6.54	1.78	6.95	1.83	7.23	1.86
	32.0	5.46	1.85	5.73	1.88	6.01	1.92	4.15	1.93	6.56	1.98	6.84	2.01
	35.0	5.29	1.92	5.57	1.95	5.84	1.99	5.98	2.00	6.39	2.05	6.67	2.08
	40.0	5.01	2.04	5.29	2.08	5.56	2.11	5.70	2.12	6.11	2.17	6.39	2.20
	43.0	4.85	2.12	5.12	2.15	5.40	2.19	5.53	2.20	5.96	2.25	6.22	2.28
	46.0	4.26	1.80	4.46	1.80	4.66	1.80	4.76	1.80	5.04	1.80	5.23	1.80
2.5+3.5	22.0	6.43	1.92	6.77	1.99	7.07	2.02	7.22	2.04	7.66	2.10	7.96	2.14
	25.0	6.30	2.02	6.59	2.06	6.89	2.09	7.04	2.11	7.48	2.17	7.78	2.21
	32.0	5.88	2.20	6.17	2.23	6.47	2.27	6.62	2.29	7.06	2.35	7.36	2.38
	35.0	5.70	2.28	5.99	2.32	6.29	2.35	6.44	2.37	6.89	2.43	7.18	2.47
	40.0	5.40	2.42	5.70	2.46	5.99	2.50	6.14	2.52	6.59	2.57	6.88	2.61
	43.0	5.07	2.31	5.32	2.31	5.57	2.31	5.69	2.31	6.04	2.31	6.26	2.31
	46.0	4.35	1.80	4.55	1.80	4.73	1.80	4.83	1.80	5.10	1.80	5.28	1.80
2.5+4.2	22.0	6.43	1.92	7.16	2.24	7.48	2.28	7.63	2.30	8.11	2.37	8.42	2.41
	25.0	6.43	2.12	6.97	2.32	7.29	2.36	7.44	2.38	7.91	2.44	8.23	2.49
	32.0	6.22	2.47	6.53	2.52	6.84	2.56	7.00	2.58	7.47	2.64	7.78	2.69
	35.0	6.03	2.57	6.34	2.61	6.65	2.65	6.81	2.67	7.28	2.74	7.59	2.78
	40.0	5.71	2.73	6.02	2.77	6.33	2.81	6.47	2.81	6.90	2.81	7.17	2.81
	43.0	5.22	2.31	5.46	2.31	5.70	2.31	5.82	2.31	6.16	2.31	6.39	2.31
	46.0	4.50	1.80	4.69	1.80	4.87	1.80	4.96	1.80	5.23	1.80	5.40	1.80
2.5+5.0	22.0	7.27	2.26	7.61	2.30	7.94	2.35	8.11	2.37	8.60	2.44	8.94	2.48
	25.0	7.07	2.34	7.40	2.39	7.74	2.43	7.90	2.45	8.40	2.52	8.74	2.56
	32.0	6.60	2.55	6.93	2.59	7.27	2.64	7.43	2.66	7.93	2.72	8.26	2.77
	35.0	6.40	2.64	6.73	2.69	7.06	2.73	7.23	2.75	7.73	2.82	8.06	2.86
	40.0	6.06	2.81	6.37	2.81	6.67	2.81	6.82	2.81	7.25	2.81	7.53	2.81
	43.0	5.47	2.31	5.73	2.31	5.97	2.31	6.09	2.31	6.45	2.31	6.68	2.31
	46.0	4.69	1.80	4.89	1.80	5.08	1.80	5.17	1.80	5.45	1.80	5.63	1.80
2.5+6.0	22.0	7.60	2.26	7.95	2.30	8.30	2.35	8.48	2.37	9.00	2.44	9.35	2.48
	25.0	7.39	2.34	7.74	2.39	8.09	2.43	8.26	2.45	8.79	2.52	9.13	2.56
	32.0	6.90	2.55	7.25	2.59	7.60	2.64	7.77	2.66	8.29	2.72	8.64	2.77
	35.0	6.69	2.64	7.04	2.69	7.39	2.73	7.56	2.75	8.08	2.82	8.43	2.86
	40.0	6.33	2.81	6.65	2.81	6.96	2.81	7.12	2.81	7.57	2.81	7.86	2.81
	43.0	5.69	2.31	5.95	2.31	6.20	2.31	6.32	2.31	6.69	2.31	6.93	2.31
	46.0	4.85	1.80	5.05	1.80	5.24	1.80	5.34	1.80	5.63	1.80	5.81	1.80
3.5+3.5	22.0	6.76	2.03	7.35	2.23	7.68	2.27	7.84	2.29	8.32	2.36	8.64	2.40
	25.0	6.76	2.22	7.16	2.31	7.48	2.35	7.64	2.37	8.12	2.43	8.45	2.48
	32.0	6.38	2.46	6.70	2.51	7.02	2.55	7.19	2.57	7.67	2.63	7.99	2.68
	35.0	6.18	2.56	6.51	2.60	6.83	2.64	6.99	2.66	7.47	2.73	7.80	2.77
	40.0	5.86	2.72	6.18	2.76	6.50	2.80	6.65	2.81	7.08	2.81	7.36	2.81
	43.0	5.34	2.31	5.59	2.31	5.83	2.31	5.95	2.31	6.30	2.31	6.53	2.31
	46.0	4.58	1.80	4.78	1.80	4.97	1.80	5.06	1.80	5.33	1.80	5.51	1.80

Combination (Capacity)	outdoor air temp. °CDB	Indoor air temp.: °CWB											
		14.0		16.0		18.0		19.0		22.0		24.0	
		TC kW	PI kW	TC kW	PI kW	TC kW	PI kW	TC kW	PI kW	TC kW	PI kW	TC kW	PI kW
3.5+4.2	22.0	6.76	2.03	7.47	2.31	7.80	2.36	7.96	2.38	8.45	2.44	8.78	2.49
	25.0	6.76	2.22	7.27	2.39	7.60	2.44	7.76	2.46	8.25	2.53	8.58	2.57
	32.0	6.48	2.56	6.81	2.60	7.13	2.64	7.30	2.67	7.79	2.73	8.12	2.78
	35.0	6.28	2.65	6.61	2.70	6.94	2.74	7.10	2.76	7.59	2.83	7.92	2.87
	40.0	5.95	2.81	6.25	2.81	6.55	2.81	6.69	2.81	7.12	2.81	7.40	2.81
	43.0	5.39	2.31	5.64	2.31	5.88	2.31	6.00	2.31	6.35	2.31	6.57	2.31
	46.0	4.63	1.80	4.82	1.80	5.01	1.80	5.10	1.80	5.38	1.80	5.55	1.80
3.5+5.0	22.0	7.65	2.56	8.01	2.61	8.36	2.66	8.53	2.69	9.06	2.76	9.41	2.81
	25.0	7.44	2.66	7.79	2.71	8.14	2.76	8.32	2.78	8.84	2.86	9.20	2.91
	32.0	6.95	2.89	7.30	2.94	7.65	2.99	7.82	3.01	8.35	3.09	8.70	3.14
	35.0	6.73	3.00	7.08	3.05	7.43	3.10	7.61	3.12	8.14	3.20	8.49	3.25
	40.0	6.26	2.81	6.56	2.81	6.85	2.81	7.00	2.81	7.42	2.81	7.70	2.81
	43.0	5.68	2.31	5.93	2.31	6.17	2.31	6.29	2.31	6.63	2.31	6.86	2.31
	46.0	4.89	1.80	5.08	1.80	5.27	1.80	5.36	1.80	5.63	1.80	5.81	1.80
3.5+6.0	22.0	7.96	2.51	8.32	2.56	8.69	2.61	8.87	2.64	9.41	2.71	9.78	2.76
	25.0	7.74	2.61	8.10	2.65	8.46	2.70	8.65	2.73	9.19	2.80	9.56	2.85
	32.0	7.22	2.83	7.58	2.88	7.95	2.93	8.13	2.96	8.68	3.03	9.04	3.08
	35.0	7.00	2.94	7.36	2.99	7.73	3.04	7.91	3.06	8.46	3.14	8.82	3.19
	40.0	6.49	2.81	6.80	2.81	7.11	2.81	7.26	2.81	7.70	2.81	7.99	2.81
	43.0	5.85	2.31	6.11	2.31	6.36	2.31	6.48	2.31	6.84	2.31	7.07	2.31
	46.0	5.00	1.80	5.20	1.80	5.40	1.80	5.49	1.80	5.77	1.80	5.95	1.80
4.2+4.2	22.0	6.76	2.02	7.36	2.23	7.69	2.27	7.85	2.29	8.33	2.36	8.65	2.40
	25.0	6.76	2.21	7.17	2.31	7.49	2.35	7.65	2.37	8.14	2.43	8.46	2.48
	32.0	6.39	2.46	6.71	2.51	7.03	2.55	7.20	2.57	7.68	2.63	8.00	2.68
	35.0	6.19	2.56	6.52	2.60	6.84	2.64	7.00	2.66	7.48	2.73	7.81	2.77
	40.0	5.87	2.72	6.19	2.76	6.51	2.80	6.66	2.81	7.09	2.81	7.37	2.81
	43.0	5.35	2.31	5.60	2.31	5.84	2.31	5.96	2.31	6.31	2.31	6.54	2.31
	46.0	4.59	1.80	4.78	1.80	4.97	1.80	5.06	1.80	5.34	1.80	5.52	1.80
4.2+5.0	22.0	7.66	2.56	8.02	2.61	8.37	2.66	8.54	2.69	9.07	2.76	9.42	2.81
	25.0	7.45	2.66	7.80	2.71	8.15	2.76	8.33	2.78	8.86	2.86	9.21	2.91
	32.0	6.96	2.89	7.31	2.94	7.66	2.99	7.83	3.01	8.36	3.09	8.71	3.14
	35.0	6.74	3.00	7.09	3.05	7.44	3.10	7.62	3.12	8.15	3.20	8.50	3.25
	40.0	6.26	2.81	6.57	2.81	6.86	2.81	7.01	2.81	7.43	2.81	7.71	2.81
	43.0	5.69	2.31	5.93	2.31	6.17	2.31	6.29	2.31	6.64	2.31	6.87	2.31
	46.0	4.89	1.80	5.08	1.80	5.27	1.80	5.36	1.80	5.63	1.80	5.81	1.80
4.2+6.0	22.0	7.97	2.51	8.33	2.56	8.70	2.61	8.88	2.64	9.43	2.71	9.79	2.76
	25.0	7.75	2.61	8.11	2.65	8.48	2.70	8.66	2.73	9.20	2.80	9.57	2.85
	32.0	7.23	2.83	7.59	2.88	7.96	2.93	8.14	2.96	8.69	3.03	9.05	3.08
	35.0	7.01	2.94	7.37	2.99	7.74	3.04	7.92	3.06	8.47	3.14	8.83	3.19
	40.0	6.50	2.81	6.81	2.81	7.12	2.81	7.27	2.81	7.71	2.81	7.99	2.81
	43.0	5.86	2.31	6.11	2.31	6.36	2.31	6.48	2.31	6.85	2.31	7.08	2.31
	46.0	5.01	1.80	5.21	1.80	5.40	1.80	5.50	1.80	5.78	1.80	5.96	1.80

3D059178

SYMBOLS

TC: Total capacity (kW)
PI: Power input (kW)

NOTE

- Capacities are based on the following conditions.
Corresponding refrigerant piping length: 5m
Level difference: 0m
- The bold line **□** is indicated the standard condition.
- The above is the value for connecting with the following indoor units.
2.0, 2.5, 3.5, 5.0 kW Class; wall mounted G series
6.0 kW class; wall mounted F series

4 Capacity tables

4 - 2 Cooling capacity tables

3MXS68G

★ Cooling (50Hz 230V)

Combination (Capacity)	outdoor air temp. °CDB	Indoor air temp.: °CWB											
		14.0°C		16.0°C		18.0°C		19.0°C		22.0°C		24.0°C	
		TC kW	PI kW	TC kW	PI kW	TC kW	PI kW	TC kW	PI kW	TC kW	PI kW	TC kW	PI kW
5.0+5.0	22.0	8.11	2.75	8.48	2.81	8.85	2.86	9.04	2.89	9.59	2.97	9.96	3.02
	25.0	7.88	2.85	8.25	2.91	8.62	2.96	8.81	2.99	9.39	3.07	9.74	3.12
	32.0	7.36	3.10	7.73	3.16	8.10	3.21	8.29	3.24	8.84	3.32	9.21	3.37
	35.0	7.13	3.22	7.50	3.27	7.87	3.33	8.06	3.35	8.62	3.43	8.99	3.49
	40.0	6.58	2.81	6.88	2.81	7.18	2.81	7.33	2.81	7.76	2.81	8.04	2.81
	43.0	5.96	2.31	6.21	2.31	6.45	2.31	6.57	2.31	6.92	2.31	7.15	2.31
	46.0	5.12	1.80	5.31	1.80	5.50	1.80	5.60	1.80	5.87	1.80	6.05	1.80
5.0+6.0	22.0	8.33	2.70	8.71	2.75	9.09	2.80	9.28	2.83	9.85	2.91	10.24	2.96
	25.0	8.10	2.79	8.48	2.84	8.86	2.90	9.05	2.92	9.62	3.00	10.00	3.05
	32.0	7.56	3.04	7.94	3.09	8.32	3.16	8.51	3.17	9.08	3.25	9.47	3.30
	35.0	7.33	3.15	7.71	3.20	8.09	3.26	8.28	3.28	8.85	3.36	9.23	3.41
	40.0	6.73	2.81	7.04	2.81	7.35	2.81	7.50	2.81	7.94	2.81	8.23	2.81
	43.0	6.07	2.31	6.32	2.31	6.57	2.31	6.70	2.31	7.06	2.31	7.29	2.31
	46.0	5.19	1.80	5.39	1.80	5.58	1.80	5.68	1.80	5.96	1.80	6.14	1.80
2.0+2.0+2.0	22.0	6.55	1.55	6.85	1.58	7.15	1.61	7.30	1.63	7.75	1.67	8.05	1.70
	25.0	6.37	1.61	6.67	1.64	6.97	1.67	7.12	1.68	7.57	1.73	7.87	1.76
	32.0	5.94	1.75	6.24	1.78	6.54	1.81	6.69	1.83	7.14	1.87	7.44	1.90
	35.0	5.76	1.82	6.06	1.85	6.36	1.88	6.51	1.89	6.96	1.94	7.26	1.97
	40.0	5.46	1.93	5.76	1.96	6.06	1.99	6.21	2.01	6.66	2.05	6.96	2.08
	43.0	5.28	2.01	5.58	2.04	5.88	2.07	6.02	2.08	6.47	2.13	6.77	2.16
	46.0	4.71	1.80	4.94	1.80	5.16	1.80	5.27	1.80	5.58	1.80	5.79	1.80
2.0+2.0+2.5	22.0	6.93	1.74	7.25	1.78	7.57	1.81	7.72	1.83	8.20	1.88	8.52	1.91
	25.0	6.74	1.80	7.06	1.84	7.37	1.87	7.53	1.89	8.01	1.94	8.33	1.97
	32.0	6.29	1.96	6.61	2.00	6.92	2.03	7.08	2.05	7.56	2.10	7.88	2.13
	35.0	6.10	2.04	6.41	2.07	6.73	2.11	6.89	2.12	7.37	2.17	7.68	2.21
	40.0	5.78	2.17	6.09	2.20	6.41	2.24	6.57	2.25	7.05	2.30	7.36	2.34
	43.0	5.58	2.25	5.90	2.28	6.20	2.31	6.34	2.31	6.73	2.31	6.99	2.31
	46.0	4.74	1.80	4.96	1.80	5.17	1.80	5.27	1.80	5.58	1.80	5.78	1.80
2.0+2.0+3.5	22.0	7.29	1.93	7.63	1.97	7.96	2.01	8.13	2.03	8.63	2.08	8.96	2.12
	25.0	7.09	2.00	7.42	2.04	7.76	2.08	7.93	2.09	8.43	2.15	8.76	2.19
	32.0	6.62	2.18	6.95	2.21	7.29	2.25	7.45	2.27	7.95	2.33	8.29	2.36
	35.0	6.41	2.26	6.75	2.30	7.08	2.33	7.25	2.35	7.75	2.41	8.09	2.45
	40.0	6.08	2.40	6.41	2.44	6.75	2.48	6.91	2.50	7.41	2.55	7.75	2.59
	43.0	5.69	2.31	5.97	2.31	6.24	2.31	6.37	2.31	6.75	2.31	7.01	2.31
	46.0	4.80	1.80	5.01	1.80	5.22	1.80	5.32	1.80	5.63	1.80	5.82	1.80
2.0+2.0+4.2	22.0	7.50	2.05	7.85	2.09	8.19	2.13	8.36	2.15	8.88	2.21	9.22	2.25
	25.0	7.30	2.13	7.64	2.17	7.98	2.21	8.15	2.23	8.67	2.29	9.01	2.33
	32.0	6.81	2.32	7.15	2.36	7.50	2.40	7.67	2.42	8.18	2.48	8.53	2.52
	35.0	6.60	2.40	6.94	2.44	7.29	2.48	7.46	2.50	7.98	2.56	8.32	2.60
	40.0	6.25	2.56	6.60	2.60	6.94	2.64	7.11	2.66	7.63	2.72	7.97	2.76
	43.0	5.73	2.31	6.00	2.31	6.27	2.31	6.40	2.31	6.78	2.31	7.03	2.31
	46.0	4.85	1.80	5.06	1.80	5.27	1.80	5.37	1.80	5.66	1.80	5.86	1.80

Combination (Capacity)	outdoor air temp. °CDB	Indoor air temp.: °CWB											
		14.0		16.0		18.0		19.0		22.0		24.0	
		TC kW	PI kW	TC kW	PI kW	TC kW	PI kW	TC kW	PI kW	TC kW	PI kW	TC kW	PI kW
2.0+2.0+5.0	22.0	7.90	2.21	8.26	2.25	8.62	2.30	8.80	2.32	9.34	2.38	9.70	2.43
	25.0	7.68	2.29	8.04	2.33	8.40	2.38	8.58	2.40	9.12	2.46	9.49	2.51
	32.0	7.17	2.49	7.53	2.53	7.89	2.58	8.07	2.60	8.61	2.66	8.97	2.71
	35.0	6.95	2.59	7.31	2.63	7.67	2.67	7.85	2.69	8.39	2.76	8.75	2.80
	40.0	6.58	2.75	6.94	2.79	7.28	2.81	7.44	2.81	7.90	2.81	8.21	2.81
	43.0	5.90	2.31	6.17	2.31	6.43	2.31	6.56	2.31	6.94	2.31	7.19	2.31
	46.0	4.99	1.80	5.20	1.80	5.41	1.80	5.51	1.80	5.80	1.80	6.00	1.80
2.0+2.0+6.0	22.0	8.16	2.17	8.53	2.21	8.91	2.25	9.09	2.28	9.65	2.34	10.03	2.38
	25.0	7.93	2.25	8.30	2.29	8.68	2.33	8.87	2.35	9.43	2.42	9.80	2.46
	32.0	7.40	2.45	7.78	2.49	8.15	2.53	8.34	2.55	8.90	2.61	9.27	2.66
	35.0	7.18	2.54	7.55	2.58	7.92	2.62	8.11	2.64	8.67	2.71	9.04	2.75
	40.0	6.80	2.70	7.17	2.74	7.55	2.78	7.73	2.80	8.22	2.81	8.53	2.81
	43.0	6.09	2.31	6.37	2.31	6.65	2.31	6.78	2.31	7.18	2.31	7.43	2.31
	46.0	5.13	1.80	5.35	1.80	5.56	1.80	5.66	1.80	5.97	1.80	6.17	1.80
2.0+2.5+2.5	22.0	7.14	1.86	7.47	1.89	7.80	1.93	7.96	1.95	8.45	2.00	8.78	2.04
	25.0	6.94	1.92	7.27	1.96	7.60	2.00	7.76	2.01	8.25	2.07	8.58	2.10
	32.0	6.48	2.09	6.81	2.13	7.13	2.17	7.30	2.18	7.79	2.24	8.12	2.27
	35.0	6.28	2.17	6.61	2.21	6.94	2.24	7.10	2.26	7.59	2.32	7.92	2.35
	40.0	5.95	2.31	6.28	2.35	6.61	2.38	6.77	2.40	7.26	2.46	7.59	2.49
	43.0	5.66	2.31	5.94	2.31	6.21	2.31	6.34	2.31	6.73	2.31	6.98	2.31
	46.0	4.77	1.80	4.98	1.80	5.19	1.80	5.29	1.80	5.60	1.80	5.79	1.80
2.0+2.5+3.5	22.0	7.63	2.13	7.98	2.17	8.33	2.21	8.51	2.23	9.03	2.29	9.38	2.34
	25.0	7.42	2.20	7.77	2.25	8.12	2.29	8.30	2.31	8.82	2.37	9.17	2.41
	32.0	6.93	2.40	7.28	2.44	7.63	2.48	7.80	2.50	8.33	2.56	8.68	2.61
	35.0	6.72	2.49	7.07	2.53	7.42	2.57	7.59	2.59	8.11	2.65	8.46	2.70
	40.0	5.95	2.31	6.28	2.35	6.61	2.38	6.77	2.40	7.26	2.46	7.59	2.49
	43.0	5.66	2.31	5.94	2.31	6.21	2.31	6.34	2.31	6.73	2.31	6.98	2.31
	46.0	4.77	1.80	4.98	1.80	5.19	1.80	5.29	1.80	5.60	1.80	5.79	1.80
2.0+2.5+4.2	22.0	7.63	2.13	7.98	2.17	8.33	2.21	8.51	2.23	9.03	2.29	9.38	2.34
	25.0	7.42	2.20	7.77	2.25	8.12	2.29	8.30	2.31	8.82	2.37	9.17	2.41
	32.0	6.93	2.40	7.28	2.44	7.63	2.48	7.80	2.50	8.33	2.56	8.68	2.61
	35.0	6.72	2.49	7.07	2.53	7.42	2.57	7.59	2.59	8.11	2.65	8.46	2.70
	40.0	6.36	2.65	6.71	2.69	7.06	2.73	7.24	2.75	7.75	2.81	8.05	2.81
	43.0	5.77	2.31	6.04	2.31	6.30	2.31	6.43	2.31	6.81	2.31	7.06	2.31
	46.0	4.89	1.80	5.10	1.80	5.30	1.80	5.40	1.80	5.70	1.80	5.89	1.80
2.0+2.5+5.0	22.0	7.83	2.26	8.18	2.30	8.54	2.35	8.72	2.37	9.26	2.44	9.62	2.48
	25.0	7.61	2.34	7.97	2.39	8.33	2.43	8.50	2.45	9.04	2.52	9.40	2.58
	32.0	7.10	2.54	7.59	2.58	7.96	2.63	8.14	2.65	8.69	2.71	9.05	2.76
	35.0	7.01	2.63	7.37	2.68	7.74	2.72	7.92	2.74	8.47	2.81	8.83	2.85
	40.0	6.64	2.80	6.97	2.81	7.30	2.81	7.46	2.81	7.92	2.81	8.22	2.81
	43.0	5.92	2.31	6.19	2.31	6.45	2.31	6.58	2.31	6.96	2.31	7.21	2.31
	46.0	5.02	1.80	5.22	1.80	5.43	1.80	5.53	1.80	5.83	1.80	6.02	1.80

3D059179

SYMBOLS

TC: Total capacity (kW)
PI: Power input (kW)

NOTE

- Capacities are based on the following conditions.
Corresponding refrigerant piping length: 5m
Level difference: 0m
- The bold line **□** is indicated the standard condition.
- The above is the value for connecting with the following indoor units.
2.0, 2.5, 3.5, 5.0 kW Class; wall mounted G series
6.0 kW class; wall mounted F series

4 Capacity tables

4 - 2 Cooling capacity tables

3MXS68G

★ Cooling (50Hz 230V)

Combination (Capacity)	outdoor air temp. °CDB	Indoor air temp.: °CWB											
		14.0°C		16.0°C		18.0°C		19.0°C		22.0°C		24.0°C	
		TC	PI	TC	PI	TC	PI	TC	PI	TC	PI	TC	PI
2.0+2.5+6.0	22.0	8.43	2.33	8.82	2.38	9.20	2.42	9.39	2.45	9.97	2.52	10.36	2.56
	25.0	8.20	2.42	8.58	2.46	8.97	2.51	9.16	2.53	9.74	2.60	10.13	2.65
	32.0	7.65	2.63	8.03	2.68	8.42	2.72	8.61	2.74	9.19	2.81	9.58	2.86
	35.0	7.41	2.73	7.80	2.77	8.19	2.82	8.38	2.84	8.96	2.94	9.35	2.96
	40.0	6.95	2.81	7.29	2.81	7.62	2.81	7.79	2.81	8.26	2.81	8.57	2.81
	43.0	6.17	2.31	6.45	2.31	6.72	2.31	6.85	2.31	7.24	2.31	7.50	2.31
	46.0	5.21	1.80	5.43	1.980	5.64	1.80	5.74	1.80	6.04	1.80	6.24	1.80
2.0+3.5+3.5	22.0	7.96	2.34	8.32	2.39	8.69	2.43	8.87	2.46	9.41	2.52	9.78	2.57
	25.0	7.74	2.43	8.10	2.47	8.46	2.52	8.65	2.54	99.19	2.61	9.56	2.65
	32.0	7.22	2.64	7.58	2.69	7.95	2.73	8.13	2.75	8.68	2.82	9.04	2.87
	35.0	7.00	2.74	7.36	2.78	7.73	2.83	7.91	2.85	8.46	2.82	8.82	2.97
	40.0	6.57	2.81	6.89	2.81	7.21	2.81	7.36	2.81	7.82	2.81	8.11	2.81
	43.0	5.88	2.31	6.14	2.31	6.40	2.31	6.53	2.31	6.90	2.31	7.14	2.31
	46.0	5.00	1.80	5.20	1.80	5.40	1.80	5.50	1.80	5.79	1.80	5.98	1.80
2.0+3.5+4.2	22.0	8.14	2.47	8.51	2.52	8.88	2.57	9.07	2.59	9.63	2.67	10.00	2.71
	25.0	7.91	2.56	8.28	2.61	8.66	2.66	8.84	2.68	9.40	2.76	9.79	2.80
	32.0	7.38	2.79	7.76	2.84	8.13	2.88	8.32	2.91	8.88	2.98	9.25	3.03
	35.0	7.16	2.89	7.53	2.94	7.90	2.99	8.09	3.01	8.65	3.09	9.02	3.13
	40.0	6.64	2.81	6.96	2.81	7.27	2.81	7.43	2.81	7.88	2.81	8.17	2.81
	43.0	5.96	2.31	6.22	2.31	6.48	2.31	6.60	2.31	6.97	2.31	7.21	2.31
	46.0	5.08	1.80	5.28	1.80	5.48	1.80	5.58	1.80	5.86	1.80	6.05	1.80
2.0+3.5+5.0	22.0	8.46	2.61	8.85	2.66	9.23	2.71	9.43	2.73	10.01	2.81	10.40	2.86
	25.0	8.22	2.70	8.61	2.75	9.00	2.80	9.19	2.83	9.77	2.90	10.16	2.95
	32.0	7.68	2.94	8.06	2.99	8.45	3.04	8.64	3.06	9.23	3.14	9.61	3.19
	35.0	7.44	3.05	7.83	3.10	8.22	3.15	8.41	3.17	8.98	3.23	9.38	3.30
	40.0	6.84	2.81	7.16	2.81	7.47	2.81	7.63	2.81	8.08	2.81	8.37	2.81
	43.0	6.13	2.31	6.39	2.31	6.65	2.31	6.78	2.31	7.15	2.31	7.39	2.31
	46.0	5.22	1.80	5.43	1.80	5.693	1.80	5.72	1.80	6.01	1.80	6.20	1.80
2.0+4.2+4.2	22.0	8.26	2.56	8.64	2.61	9.01	2.66	9.20	2.68	9.77	2.75	10.15	2.80
	25.0	8.03	2.65	8.41	2.70	8.79	2.75	8.97	2.77	9.54	2.85	9.92	2.90
	32.0	7.49	2.88	7.87	2.93	8.25	2.98	8.44	3.01	9.01	3.08	9.38	3.13
	35.0	7.26	2.99	7.64	3.04	8.02	3.09	8.21	3.11	8.78	3.19	9.16	3.24
	40.0	6.70	2.81	7.02	2.81	7.33	2.81	7.49	2.81	7.94	2.81	8.23	2.81
	43.0	6.02	2.31	6.28	2.31	6.54	2.31	6.66	2.31	7.03	2.31	7.27	2.31
	46.0	5.13	1.80	5.34	1.80	5.53	1.80	5.63	1.80	5.92	1.80	6.10	1.80
2.5+2.5+2.5	22.0	7.42	2.01	7.76	2.05	8.10	2.09	8.27	2.11	8.78	2.17	9.12	2.21
	25.0	7.22	2.09	7.56	2.12	7.90	2.16	8.07	2.18	8.58	2.24	8.92	2.28
	32.0	6.74	2.27	7.08	2.31	7.42	2.35	7.59	2.37	8.10	2.43	8.44	2.47
	35.0	6.53	2.35	6.87	2.39	7.21	2.43	7.38	2.45	7.89	2.51	8.23	2.55
	40.0	6.19	2.51	6.53	2.54	6.87	2.58	7.04	2.60	7.55	2.66	7.89	2.70
	43.0	5.71	2.31	5.98	2.31	6.25	2.31	6.38	2.31	6.46	2.31	7.01	2.31
	46.0	4.83	1.80	5.04	1.80	5.24	1.80	5.34	1.80	5.64	1.80	5.84	1.80

Combination (Capacity)	outdoor air temp. °CDB	Indoor air temp.: °CWB											
		14.0		16.0		18.0		19.0		22.0		24.0	
		TC	PI	TC	PI	TC	PI	TC	PI	TC	PI	TC	PI
2.5+2.5+3.5	22.0	7.83	2.26	8.18	2.30	8.54	2.35	8.72	2.37	9.26	2.44	9.62	2.48
	25.0	7.61	2.34	7.97	2.39	8.33	2.43	8.50	2.45	9.04	2.52	9.40	2.56
	32.0	7.10	2.55	7.46	2.59	7.82	2.64	8.00	2.66	8.54	2.72	8.89	2.77
	35.0	6.88	2.64	7.24	2.69	7.60	2.73	7.78	2.75	8.32	2.82	8.68	2.86
	40.0	6.52	2.81	6.84	2.81	7.16	2.81	7.32	2.81	7.78	2.81	8.08	2.81
	43.0	5.83	2.31	6.09	2.31	6.35	2.31	6.48	2.31	6.85	2.31	7.10	2.31
	46.0	4.95	1.80	5.15	1.80	5.36	1.80	5.46	1.80	5.75	1.80	5.94	1.80
2.5+2.5+4.2	22.0	8.01	2.38	8.37	2.43	8.74	2.48	8.92	2.50	9.47	2.57	9.84	2.62
	25.0	7.78	2.47	8.15	2.52	8.52	2.56	8.70	2.58	9.25	2.65	9.62	2.70
	32.0	7.27	2.69	7.63	2.73	8.00	2.78	8.18	2.80	8.73	2.87	9.10	2.92
	35.0	7.04	2.79	7.41	2.83	7.78	2.88	7.96	2.90	8.51	2.97	8.88	3.02
	40.0	6.58	2.81	6.91	2.81	7.22	2.81	7.38	2.81	7.83	2.81	8.12	2.81
	43.0	5.90	2.31	6.16	2.31	6.42	2.31	6.54	2.31	6.92	2.31	7.16	2.31
	46.0	5.02	1.80	5.22	1.80	5.42	1.80	5.52	1.80	5.81	1.80	6.00	1.80
2.5+2.5+5.0	22.0	8.33	2.51	8.71	2.56	9.09	2.61	9.28	2.64	9.85	2.71	10.24	2.76
	25.0	8.10	2.61	8.48	2.65	8.86	2.70	9.05	2.73	9.62	2.80	10.00	2.85
	32.0	7.56	2.83	7.94	2.88	8.32	2.93	8.51	2.96	9.08	3.03	9.47	3.08
	35.0	7.33	2.94	7.71	2.99	8.09	3.04	8.28	3.06	8.85	3.14	9.23	3.19
	40.0	6.77	2.81	7.09	2.81	7.41	2.81	7.56	2.81	8.02	2.81	8.31	2.81
	43.0	6.06	2.31	6.33	2.31	6.59	2.31	6.71	2.31	7.09	2.31	7.33	2.31
	46.0	5.16	1.80	5.36	1.80	5.56	1.80	5.66	1.80	5.95	1.80	6.14	1.80
2.5+2.5+6.0	22.0	8.62	2.47	9.02	2.51	9.41	2.56	9.61	2.59	10.20	2.66	10.59	2.71
	25.0	8.38	2.55	8.78	2.60	9.17	2.65	9.37	2.67	9.96	2.75	10.36	2.79
	32.0	7.82	2.78	8.22	2.83	8.61	2.87	8.81	2.90	9.40	2.97	9.80	3.02
	35.0	7.58	2.88	7.98	2.93	8.37	2.98	8.57	3.00	9.16	3.08	9.56	3.12
	40.0	7.01	2.81	7.35	2.81	7.67	2.81	7.84	2.81	8.31	2.81	8.61	2.81
	43.0	6.24	2.31	6.51	2.31	6.78	2.31	6.91	2.31	7.30	2.31	7.55	2.31
	46.0	5.28	1.80	5.49	1.80	5.70	1.80	5.80	1.80	6.10	1.80	6.30	1.80
2.5+3.5+3.5	22.0	8.19	2.51	8.56	2.56	8.94	2.61	9.13	2.64	9.69	2.71	10.06	2.76
	25.0	7.96	2.61	8.34	2.65	8.71	2.70	8.90	2.73	9.46	2.80	9.84	2.85
	32.0	7.43	2.83	7.80	2.88	8.18	2.93	8.37	2.96	8.93	3.03	9.30	3.08
	35.0	7.20	2.94	7.58	2.99	7.95	3.04	8.14	3.06	8.70	3.14	9.08	3.19
	40.0	6.66	2.81	6.98	2.81	7.29	2.81	7.45	2.81	7.90	2.81	8.19	2.81
	43.0	5.98	2.31	6.24	2.31	6.50	2.31	6.62	2.31	6.99	2.31	7.23	2.31
	46.0	5.10	1.80	5.30	1.80	5.50	1.80	5.60	1.80	5.88	1.80	6.07	1.80
2.5+3.5+4.2	22.0	8.31	2.61	8.69	2.66	9.07	2.71	9.26	2.73	9.83	2.81	10.21	2.86
	25.0	8.08	2.70	8.46	2.75	8.84	2.80	9.03	2.83	9.60	2.90	9.98	2.95
	32.0	7.54	2.94	7.92	2.99	8.30	3.04	8.49	3.06	9.06	3.14	9.44	3.19
	35.0	7.31	3.05	7.69	3.10	8.07	3.15	8.26	3.17	8.83	3.25	9.21	3.30
	40.0	6.73	2.81	7.04	2.81	7.35	2.81	7.51	2.81	7.96	2.81	8.2	

4 Capacity tables

4 - 2 Cooling capacity tables

3MXS68G

★ Cooling (50Hz 230V)

Combination (Capacity)	outdoor air temp. °CDB	Indoor air temp.: °CWB											
		14.0°C		16.0°C		18.0°C		19.0°C		22.0°C		24.0°C	
		TC kW	PI kW	TC kW	PI kW	TC kW	PI kW	TC kW	PI kW	TC kW	PI kW	TC kW	PI kW
2.5+3.5+5.0	22.0	8.62	2.74	9.02	2.79	9.41	2.84	9.61	2.87	10.20	2.95	10.59	3.00
	25.0	8.38	2.83	8.78	2.89	9.17	2.94	9.37	2.97	9.96	3.05	10.36	3.10
	32.0	7.82	3.08	8.22	3.14	8.31	3.19	8.81	3.22	9.40	3.30	9.80	3.35
	35.0	7.58	3.20	7.98	3.25	8.37	3.31	8.57	3.33	9.16	3.41	9.56	3.47
	40.0	6.93	2.81	7.25	2.81	7.56	2.81	7.71	2.81	8.16	2.81	8.46	2.81
	43.0	6.23	2.31	6.49	2.31	6.74	2.31	6.87	2.31	7.24	2.31	7.47	2.31
	46.0	5.31	1.80	5.51	1.80	5.71	1.80	5.81	1.80	6.09	1.80	6.28	1.80
2.0+2.5+3.5	22.0	8.37	2.65	8.75	2.70	9.14	2.75	9.33	2.78	9.90	2.85	10.29	2.90
	25.0	8.14	2.74	8.52	2.79	8.90	2.84	9.09	2.87	9.67	2.95	10.05	3.00
	32.0	7.59	2.98	7.98	3.03	8.36	3.09	8.55	3.11	9.13	3.19	9.51	3.24
	35.0	7.36	3.09	7.75	3.15	8.13	3.20	8.32	3.22	8.89	3.30	9.28	3.35
	40.0	6.76	2.81	7.08	2.81	7.39	2.81	7.54	2.81	7.99	2.81	8.28	2.81
	43.0	6.08	2.31	6.34	2.31	6.60	2.31	6.72	2.31	7.09	2.31	7.32	2.31
	46.0	5.19	1.80	5.39	1.80	5.59	1.80	5.69	1.80	5.97	1.80	6.16	1.80
2.0+2.5+5.0	22.0	8.47	2.74	8.86	2.79	9.25	2.84	9.44	2.87	10.02	2.95	10.41	3.00
	25.0	8.23	2.83	8.62	2.89	9.01	2.94	9.20	2.97	9.79	3.05	10.17	3.10
	32.0	7.69	3.08	8.07	3.14	8.46	3.19	8.66	3.22	9.24	3.30	9.63	3.35
	35.0	7.45	3.20	7.84	3.25	8.23	3.31	8.42	3.33	9.00	3.41	9.39	3.47
	40.0	6.82	2.81	7.14	2.81	7.45	2.81	7.60	2.81	8.04	2.81	8.33	2.81
	43.0	6.15	2.31	6.40	2.31	6.66	2.31	6.78	2.31	7.14	2.31	7.38	2.31
	46.0	5.25	1.80	5.45	1.80	5.65	1.80	5.74	1.80	6.03	1.80	6.21	1.80

3D059181

SYMBOLS

TC: Total capacity (kW)
PI: Power input (kW)

NOTE

- Capacities are based on the following conditions.
Corresponding refrigerant piping length: 5m
Level difference: 0m
- The bold line is indicated the standard condition.
- The above is the value for connecting with the following indoor units.
2.0, 2.5, 3.5, 5.0 kW Class; wall mounted G series
6.0 kW class; wall mounted F series

4 Capacity tables

4 - 3 Heating capacity tables

2MXS40G

★ Heating (50Hz 230V)

Combination (Capacity)	Outdoor air temp. °CWB	Indoor air temp.: °CDB												
		16.0°C		18.0°C		20.0°C		21.0°C		22.0°C		24.0°C		
		TC	PI	TC	PI	TC	PI	TC	PI	TC	PI	TC	PI	
2.0	-10.0	2.47	1.08	2.41	1.09	2.36	1.10	2.34	1.11	2.31	1.11	2.26	1.13	
	-7.0	2.72	1.11	2.66	1.12	2.61	1.13	2.59	1.14	2.56	1.15	2.51	1.16	
	-5.0	2.88	1.13	2.83	1.14	2.78	1.15	2.76	1.16	2.73	1.17	2.68	1.18	
	-2.0	3.13	1.16	3.08	1.17	3.03	1.19	3.01	1.19	2.98	1.20	2.93	1.21	
	0.0	3.30	1.18	3.25	1.20	3.20	1.21	3.17	1.21	3.15	1.22	3.10	1.23	
	1.0	3.38	1.19	3.33	1.21	3.28	1.22	3.26	1.22	3.23	1.23	3.18	1.24	
	3.0	3.55	1.22	3.50	1.23	3.45	1.24	3.42	1.24	3.40	1.25	3.35	1.26	
	6.0	3.80	1.25	3.75	1.26	3.70	1.27	3.67	1.28	3.65	1.28	3.60	1.29	
	8.0	3.97	1.27	3.92	1.28	3.87	1.29	3.84	1.30	3.82	1.30	3.76	1.31	
	10.0	4.14	1.29	4.09	1.30	4.03	1.31	4.01	1.32	3.98	1.32	3.93	1.33	
	12.0	4.30	1.31	4.25	1.32	4.20	1.33	4.18	1.34	4.15	1.34	4.10	1.36	
	15.0	4.55	1.34	4.50	1.35	4.45	1.36	4.43	1.37	4.40	1.38	4.35	1.39	
	18.0	3.93	1.07	3.87	1.07	3.80	1.07	3.77	1.07	3.70	1.07	3.68	1.07	
	2.5	-10.0	2.73	1.29	2.68	1.31	2.62	1.32	2.59	1.33	2.56	1.33	2.51	1.35
		-7.0	3.01	1.33	2.95	1.34	2.90	1.36	2.87	1.36	2.84	1.37	2.78	1.38
		-5.0	3.19	1.35	3.14	1.37	3.08	1.38	3.05	1.39	3.02	1.40	2.97	1.41
-2.0		3.47	1.39	3.42	1.41	3.36	1.42	3.33	1.43	3.30	1.43	3.25	1.45	
0.0		3.66	1.42	3.60	1.43	3.54	1.44	3.52	1.45	3.49	1.46	3.43	1.47	
1.0		3.75	1.43	3.69	1.44	3.64	1.46	3.61	1.46	3.58	1.47	3.52	1.48	
3.0		3.94	1.46	3.88	1.47	3.82	1.48	3.79	1.49	3.77	1.50	3.71	1.51	
6.0		4.21	1.49	4.16	1.51	4.10	1.52	4.07	1.53	4.04	1.53	3.99	1.55	
8.0		4.40	1.52	4.34	1.53	4.29	1.55	4.26	1.55	4.23	1.56	4.17	1.57	
10.0		4.58	1.54	4.53	1.56	4.47	1.57	4.44	1.58	4.41	1.58	4.36	1.60	
12.0		4.77	1.57	4.71	1.58	4.66	1.60	4.63	1.60	4.60	1.61	4.54	1.62	
15.0		4.85	1.52	4.77	1.52	4.69	1.52	4.65	1.52	4.61	1.52	4.54	1.52	
18.0		3.81	1.07	3.76	1.07	3.70	1.07	3.67	1.07	3.64	1.07	3.59	1.07	
3.5		-10.0	2.93	1.47	2.87	1.49	2.81	1.50	2.78	1.51	2.75	1.52	2.69	1.53
		-7.0	3.23	1.51	3.17	1.53	3.11	1.54	3.08	1.55	3.05	1.56	2.99	1.58
		-5.0	3.43	1.54	3.37	1.56	3.31	1.57	3.28	1.58	3.25	1.59	3.19	1.60
	-2.0	3.73	1.58	3.67	1.60	3.61	1.62	3.57	1.62	3.54	1.63	3.48	1.65	
	0.0	3.93	1.61	3.86	1.63	3.80	1.64	3.77	1.65	3.74	1.66	3.68	1.68	
	1.0	4.02	1.63	3.96	1.64	3.90	1.66	3.87	1.67	3.84	1.67	3.78	1.69	
	3.0	4.22	1.66	4.16	1.67	4.10	1.69	4.07	1.70	4.04	1.70	3.98	1.72	
	6.0	4.52	1.70	4.46	1.71	4.40	1.73	4.37	1.74	4.34	1.75	4.28	1.76	
	8.0	4.72	1.73	4.66	1.74	4.60	1.76	4.57	1.77	4.54	1.77	4.48	1.79	
	10.0	4.92	1.76	4.86	1.77	4.80	1.79	4.77	1.79	4.74	1.80	4.68	1.82	
	12.0	5.12	1.78	5.06	1.80	5.00	1.82	4.97	1.82	4.94	1.83	4.74	1.76	
	15.0	4.77	1.52	4.70	1.52	4.62	1.52	4.59	1.52	4.55	1.52	4.48	1.52	
	18.0	3.75	1.07	3.70	1.07	3.65	1.07	3.62	1.07	3.60	1.07	3.55	1.07	

Combination (Capacity)	Outdoor air temp. °CWB	Indoor air temp.: °CDB												
		16.0°C		18.0°C		20.0°C		21.0°C		22.0°C		24.0°C		
		TC	PI	TC	PI	TC	PI	TC	PI	TC	PI	TC	PI	
2.0+2.0	-10.0	3.06	0.99	3.00	1.01	2.94	1.02	2.91	1.02	2.87	1.03	2.81	1.04	
	-7.0	3.38	1.02	3.31	1.03	3.25	1.04	3.22	1.05	3.19	1.06	3.12	1.07	
	-5.0	3.58	1.04	3.52	1.05	3.46	1.06	3.43	1.07	3.39	1.07	3.33	1.09	
	-2.0	3.90	1.07	3.83	1.08	3.77	1.09	3.74	1.10	3.71	1.10	3.64	1.11	
	0.0	4.10	1.09	4.04	1.10	3.98	1.11	3.94	1.12	3.91	1.12	3.85	1.13	
	1.0	4.21	1.10	4.14	1.11	4.08	1.12	4.05	1.13	4.02	1.13	3.95	1.14	
	3.0	4.42	1.12	4.35	1.13	4.29	1.14	4.26	1.15	4.22	1.15	4.16	1.16	
	6.0	4.73	1.15	4.66	1.16	4.60	1.17	4.57	1.18	4.54	1.18	4.47	1.19	
	8.0	4.93	1.17	4.87	1.18	4.81	1.19	4.78	1.19	4.74	1.20	4.68	1.21	
	10.0	5.14	1.19	5.08	1.20	5.02	1.21	4.98	1.21	4.95	1.22	4.89	1.23	
	12.0	5.35	1.21	5.29	1.22	5.22	1.23	5.19	1.23	5.16	1.24	5.10	1.25	
	15.0	5.66	1.24	5.60	1.25	5.53	1.26	5.50	1.26	5.47	1.27	5.41	1.28	
	18.0	5.17	1.07	5.09	1.07	5.00	1.07	4.95	1.07	4.91	1.07	4.83	1.07	
	2.0+2.5	-10.0	3.13	1.03	3.07	1.04	3.00	1.05	2.97	1.06	2.94	1.06	2.87	1.07
		-7.0	3.45	1.06	3.39	1.07	3.32	1.08	3.29	1.09	3.26	1.09	3.19	1.10
		-5.0	3.66	1.08	3.60	1.09	3.53	1.10	3.50	1.11	3.47	1.11	3.40	1.12
-2.0		3.98	1.11	3.92	1.12	3.85	1.13	3.82	1.14	3.79	1.14	3.72	1.15	
0.0		4.19	1.13	4.13	1.14	4.06	1.15	4.03	1.16	4.00	1.16	3.93	1.17	
1.0		4.30	1.14	4.23	1.15	4.17	1.16	4.14	1.17	4.10	1.17	4.04	1.18	
3.0		4.51	1.16	4.45	1.17	4.38	1.18	4.35	1.19	4.32	1.19	4.25	1.20	
6.0		4.83	1.19	4.76	1.20	4.70	1.21	4.67	1.22	4.64	1.22	4.57	1.23	
8.0		5.04	1.21	4.98	1.22	4.91	1.23	4.88	1.24	4.85	1.24	4.78	1.25	
10.0		5.25	1.23	5.19	1.24	5.12	1.25	5.09	1.26	5.06	1.26	4.99	1.27	
12.0		5.47	1.25	5.40	1.26	5.34	1.27	5.30	1.28	5.27	1.28	5.21	1.29	
15.0		5.79	1.28	5.72	1.29	5.66	1.30	5.62	1.31	5.59	1.31	5.53	1.32	
18.0		5.14	1.07	5.05	1.07	4.97	1.07	4.92	1.07	4.88	1.07	4.80	1.07	
2.0+3.5		-10.0	3.13	1.01	3.07	1.02	3.00	1.03	2.97	1.04	2.94	1.04	2.87	1.05
		-7.0	3.45	1.04	3.39	1.05	3.32	1.06	3.29	1.07	3.26	1.07	3.19	1.08
		-5.0	3.66	1.06	3.60	1.07	3.53	1.08	3.50	1.09	3.47	1.09	3.40	1.10
	-2.0	3.98	1.09	3.92	1.10	3.85	1.11	3.82	1.12	3.79	1.12	3.72	1.13	
	0.0	4.19	1.11	4.13	1.12	4.06	1.13	4.03	1.14	4.00	1.14	3.93	1.15	
	1.0	4.30	1.12	4.23	1.13	4.17	1.14	4.14	1.15	4.10	1.15	4.04	1.16	
	3.0	4.51	1.14	4.45	1.15	4.38	1.16	4.35	1.17	4.32	1.17	4.25	1.18	
	6.0	4.83	1.17	4.76	1.18	4.70	1.19	4.67	1.20	4.64	1.20	4.57	1.21	
	8.0	5.04	1.19	4.98	1.20	4.91	1.21	4.88	1.21	4.85	1.22	4.78	1.23	
	10.0	5.25	1.21	5.19	1.22	5.12	1.23	5.09	1.23	5.06	1.24	4.99	1.25	
	12.0	5.47	1.23	5.40	1.24	5.34	1.25	5.30	1.25	5.27	1.26	5.21	1.27	
	15.0	5.79	1.26	5.72	1.27	5.66	1.28	5.62	1.28	5.59	1.29	5.53	1.30	
	18.0	5.21	1.07	5.12	1.07	5.03	1.07	4.99	1.07	4.95	1.07	4.86	1.07	

3D055830A

SYMBOLS

TC: Total capacity (kW)
PI: Power input (kW)

NOTES

- Capacities are based on the following conditions.
Corresponding refrigerant piping length: 5m
Level difference: 0m
- The bold line **□** is indicated the standard condition.
- The above is the value for connecting with the following indoor units.
2.0, 2.5, 3.5 kW Class; wall mounted D, E (NW-S) series

4 Capacity tables

4 - 3 Heating capacity tables

2MXS40G

★ Heating (50Hz 230V)

Combination (capacity)	outdoor air temp. °CWB	Indoor air temp.: °CDB												
		16°C		18°C		20°C		21°C		22°C		24°C		
		TC kW	PI kW	TC kW	PI kW	TC kW	PI kW	TC kW	PI kW	TC kW	PI kW	TC kW	PI kW	
2.5+2.5	-10.0	3.13	1.02	3.07	1.03	3.00	1.04	2.97	1.05	2.94	1.05	2.87	1.06	
	-7.0	3.45	1.05	3.39	1.06	3.32	1.07	3.29	1.08	3.26	1.08	3.19	1.09	
	-5.0	3.66	1.07	3.60	1.08	3.53	1.09	3.50	1.10	3.47	1.10	3.40	1.11	
	-2.0	3.98	1.10	3.92	1.11	3.85	1.12	3.82	1.13	3.79	1.13	3.72	1.14	
	0.0	4.19	1.12	4.13	1.13	4.06	1.14	4.03	1.15	4.00	1.15	3.93	1.16	
	1.0	4.30	1.13	4.23	1.14	4.17	1.15	4.14	1.16	4.10	1.16	4.04	1.17	
	3.0	4.51	1.15	4.45	1.16	4.38	1.17	4.35	1.18	4.32	1.18	4.25	1.19	
	6.0	4.83	1.18	4.76	1.19	4.70	1.20	4.67	1.21	4.64	1.21	4.57	1.22	
	8.0	5.04	1.20	4.98	1.21	4.91	1.22	4.88	1.23	4.85	1.23	4.78	1.24	
	10.0	5.25	1.22	5.19	1.23	5.12	1.24	5.09	1.24	5.06	1.25	4.99	1.26	
	12.0	5.47	1.24	5.40	1.25	5.34	1.26	5.30	1.26	5.27	1.27	5.21	1.28	
	15.0	5.79	1.27	5.72	1.28	5.66	1.29	5.62	1.29	5.59	1.30	5.53	1.31	
	18.0	5.17	1.07	5.09	1.07	5.00	1.07	4.96	1.07	4.91	1.07	4.83	1.07	
	2.5+3.5	-10.0	3.13	1.00	3.07	1.01	3.00	1.02	2.97	1.03	2.94	1.04	2.87	1.05
		-7.0	3.45	1.03	3.39	1.04	3.32	1.05	3.29	1.06	3.26	1.06	3.19	1.07
-5.0		3.66	1.05	3.60	1.06	3.53	1.07	3.50	1.08	3.47	1.08	3.40	1.09	
-2.0		3.98	1.08	3.92	1.09	3.85	1.10	3.82	1.11	3.79	1.11	3.72	1.12	
0.0		4.19	1.10	4.13	1.11	4.06	1.12	4.03	1.13	4.00	1.13	3.93	1.14	
1.0		4.30	1.11	4.23	1.12	4.17	1.13	4.14	1.14	4.10	1.14	4.04	1.15	
3.0		4.51	1.13	4.45	1.14	4.38	1.15	4.35	1.16	4.32	1.16	4.25	1.17	
6.0		4.83	1.16	4.76	1.17	4.70	1.18	4.67	1.19	4.64	1.19	4.57	1.20	
8.0		5.04	1.18	4.98	1.19	4.91	1.20	4.88	1.20	4.85	1.21	4.78	1.22	
10.0		5.25	1.20	5.19	1.21	5.12	1.22	5.09	1.22	5.06	1.23	4.99	1.24	
12.0		5.47	1.22	5.40	1.23	5.34	1.24	5.30	1.24	5.27	1.25	5.21	1.26	
15.0		5.79	1.25	5.72	1.26	5.66	1.27	5.62	1.27	5.59	1.28	5.53	1.29	
18.0		5.25	1.07	5.16	1.07	5.07	1.07	5.02	1.07	4.98	1.07	4.90	1.07	

3D055831A

SYMBOLS

TC: Total capacity (kW)
PI: Power input (kW)

NOTE

- Capacities are based on the following conditions.
Corresponding refrigerant piping length: 5m
Level difference: 0m
- The bold line **□** is indicated the standard condition.
- The above is the value for connecting with the following indoor units.
2.0, 2.5, 3.5 kW Class; wall mounted C,D (GMS5) series.

1
4

4 Capacity tables

4 - 3 Heating capacity tables

2MXS40G

★ Heating (50Hz 230V)

Combination (capacity)	outdoor air temp. °CWB	Indoor air temp.: °CDB											
		16°C		18°C		20°C		21°C		22°C		24°C	
		TC kW	PI kW	TC kW	PI kW	TC kW	PI kW	TC kW	PI kW	TC kW	PI kW	TC kW	PI kW
2.0	-10.0	2.47	1.11	2.41	1.12	2.36	1.13	2.34	1.13	2.31	1.14	2.26	1.15
	-7.0	2.72	1.14	2.66	1.15	2.61	1.16	2.59	1.17	2.56	1.17	2.51	1.18
	-5.0	2.88	1.16	2.83	1.17	2.78	1.18	2.76	1.19	2.73	1.19	2.68	1.21
	-2.0	3.13	1.19	3.08	1.20	3.03	1.21	3.01	1.22	2.98	1.23	2.93	1.24
	0.0	3.30	1.21	3.25	1.22	3.20	1.24	3.17	1.24	3.15	1.25	3.10	1.26
	1.0	3.38	1.22	3.33	1.23	3.28	1.25	3.26	1.25	3.23	1.26	3.18	1.27
	3.0	3.55	1.24	3.50	1.26	3.45	1.27	3.42	1.27	3.40	1.28	3.35	1.29
	6.0	3.80	1.28	3.75	1.29	3.70	1.30	3.67	1.31	3.65	1.31	3.60	1.32
	8.0	3.97	1.30	3.92	1.31	3.87	1.32	3.84	1.33	3.82	1.33	3.76	1.34
	10.0	4.14	1.32	4.09	1.33	4.03	1.34	4.01	1.35	3.98	1.35	3.86	1.33
	12.0	4.30	1.34	4.25	1.35	4.20	1.36	4.18	1.37	4.10	1.35	3.86	1.27
	15.0	4.55	1.37	4.50	1.38	4.34	1.35	4.22	1.31	4.10	1.27	3.86	1.19
	18.0	3.86	1.07	3.80	1.07	3.74	1.07	3.71	1.07	3.68	1.07	3.62	1.07
	-10.0	2.73	1.35	2.68	1.37	2.62	1.38	2.59	1.39	2.56	1.39	2.51	1.41
	-7.0	3.01	1.39	2.95	1.41	2.90	1.42	2.87	1.43	2.84	1.43	2.78	1.45
	-5.0	3.19*	1.42	3.14	1.43	3.08	1.45	3.05	1.45	3.02	1.46	2.97	1.47
	-2.0	3.47	1.46	3.42	1.47	3.36	1.49	3.33	1.49	3.30	1.50	3.25	1.51
0.0	3.66	1.48	3.60	1.50	3.54	1.51	3.52	1.52	3.49	1.53	3.43	1.54	
1.0	3.75	1.50	3.69	1.51	3.64	1.52	3.61	1.53	3.58	1.54	3.52	1.55	
3.0	3.94	1.52	3.88	1.54	3.82	1.55	3.79	1.56	3.77	1.57	3.71	1.58	
6.0	4.21	1.56	4.16	1.58	4.10	1.59	4.07	1.60	4.04	1.60	3.86	1.54	
8.0	4.40	1.59	4.34	1.60	4.29	1.62	4.22	1.60	4.10	1.55	3.86	1.45	
10.0	4.58	1.61	4.53	1.63	4.34	1.57	4.22	1.52	4.10	1.47	3.86	1.38	
12.0	4.77	1.64	4.59	1.58	4.34	1.49	4.22	1.45	4.10	1.40	3.86	1.31	
15.0	4.71	1.52	4.59	1.48	4.34	1.39	4.22	1.35	4.10	1.31	3.86	1.23	
18.0	3.71	1.07	3.65	1.07	3.60	1.07	3.57	1.07	3.55	1.07	3.50	1.07	
-10.0	2.93	1.51	2.87	1.53	2.81	1.55	2.78	1.55	2.75	1.56	2.69	1.58	
-7.0	3.23	1.56	3.17	1.57	3.11	1.59	3.08	1.60	3.05	1.61	2.99	1.62	
-5.0	3.43	1.59	3.37	1.60	3.31	1.62	3.28	1.63	3.25	1.63	3.19	1.65	
-2.0	3.73	1.63	3.67	1.65	3.61	1.66	3.57	1.67	3.54	1.68	3.48	1.69	
0.0	3.93	1.66	3.86	1.68	3.80	1.69	3.77	1.70	3.74	1.71	3.68	1.72	
1.0	4.02	1.67	3.96	1.69	3.90	1.71	3.87	1.71	3.84	1.72	3.78	1.74	
3.0	4.22	1.70	4.16	1.72	4.10	1.74	4.07	1.74	4.04	1.75	3.98	1.77	
6.0	4.52	1.75	4.46	1.76	4.40	1.78	4.37	1.79	4.34	1.80	4.27	1.81	
8.0	4.72	1.78	4.66	1.79	4.60	1.81	4.57	1.82	4.54	1.83	4.27	1.70	
10.0	4.92	1.81	4.86	1.82	4.80	1.84	4.67	1.78	4.54	1.72	4.27	1.61	
12.0	5.12	1.84	5.06	1.85	4.80	1.75	4.67	1.69	4.54	1.64	4.27	1.53	
15.0	4.69	1.52	4.62	1.52	4.55	1.52	4.51	1.52	4.48	1.52	4.27	1.42	
18.0	3.69	1.07	3.64	1.07	3.59	1.07	3.57	1.07	3.54	1.07	3.50	1.07	

Combination (Capacity)	outdoor air temp. °CWB	Indoor air temp.: °CDB											
		16°C		18°C		20°C		21°C		22°C		24°C	
		TC kW	PI kW	TC kW	PI kW	TC kW	PI kW	TC kW	PI kW	TC kW	PI kW	TC kW	PI kW
2.0+2.0	-10.0	3.06	1.05	3.00	1.07	2.94	1.08	2.91	1.08	2.87	1.09	2.81	1.10
	-7.0	3.38	1.08	3.31	1.10	3.25	1.11	3.22	1.11	3.19	1.12	3.12	1.13
	-5.0	3.58	1.11	3.52	1.12	3.46	1.13	3.43	1.13	3.39	1.14	3.33	1.15
	-2.0	3.90	1.14	3.83	1.15	3.77	1.16	3.74	1.16	3.71	1.17	3.64	1.18
	0.0	4.10	1.16	4.04	1.17	3.98	1.18	3.94	1.18	3.91	1.19	3.85	1.20
	1.0	4.21	1.17	4.14	1.18	4.08	1.19	4.05	1.19	4.02	1.20	3.95	1.21
	3.0	4.42	1.19	4.35	1.20	4.29	1.21	4.26	1.21	4.22	1.22	4.16	1.23
	6.0	4.73	1.22	4.66	1.23	4.60	1.24	4.57	1.25	4.54	1.25	4.47	1.26
	8.0	4.93	1.24	4.87	1.25	4.81	1.26	4.78	1.27	4.74	1.27	4.68	1.28
	10.0	5.14	1.26	5.08	1.27	5.02	1.28	4.98	1.29	4.95	1.29	4.89	1.30
	12.0	5.35	1.28	5.29	1.29	5.22	1.30	5.19	1.31	5.16	1.31	5.10	1.32
	15.0	5.66	1.31	5.60	1.32	5.53	1.33	5.50	1.34	5.47	1.34	5.41	1.35
	18.0	4.93	1.07	4.85	1.07	4.77	1.07	4.73	1.07	4.69	1.07	4.61	1.07
	-10.0	3.13	1.10	3.07	1.11	3.00	1.12	2.97	1.13	2.94	1.13	2.87	1.14
	-7.0	3.45	1.13	3.39	1.14	3.32	1.15	3.29	1.16	3.26	1.16	3.19	1.18
	-5.0	3.66	1.15	3.60	1.16	3.53	1.17	3.50	1.18	3.47	1.18	3.40	1.20
	-2.0	3.98	1.18	3.92	1.19	3.85	1.21	3.82	1.21	3.79	1.22	3.72	1.23
0.0	4.19	1.20	4.13	1.21	4.06	1.23	4.03	1.23	4.00	1.23	3.93	1.25	
1.0	4.30	1.21	4.23	1.23	4.17	1.24	4.14	1.24	4.10	1.25	4.04	1.26	
3.0	4.51	1.23	4.45	1.25	4.38	1.26	4.35	1.26	4.32	1.27	4.25	1.28	
6.0	4.83	1.27	4.76	1.28	4.70	1.29	4.67	1.30	4.64	1.30	4.57	1.31	
8.0	5.04	1.29	4.98	1.30	4.91	1.31	4.88	1.32	4.85	1.32	4.78	1.33	
10.0	5.25	1.31	5.19	1.32	5.12	1.33	5.09	1.34	5.06	1.34	4.99	1.36	
12.0	5.47	1.33	5.40	1.34	5.34	1.35	5.30	1.36	5.27	1.37	5.21	1.38	
15.0	5.79	1.36	5.72	1.37	5.66	1.39	5.62	1.39	5.59	1.40	5.53	1.41	
18.0	4.88	1.07	4.80	1.07	4.72	1.07	4.68	1.07	4.64	1.07	4.56	1.07	
-10.0	3.13	1.08	3.07	1.09	3.00	1.10	2.97	1.11	2.94	1.11	2.87	1.13	
-7.0	3.45	1.11	3.39	1.12	3.32	1.13	3.29	1.14	3.26	1.15	3.19	1.16	
-5.0	3.66	1.13	3.60	1.14	3.53	1.15	3.50	1.16	3.47	1.17	3.40	1.18	
-2.0	3.98	1.16	3.92	1.17	3.85	1.19	3.82	1.19	3.79	1.20	3.72	1.21	
0.0	4.19	1.18	4.13	1.20	4.06	1.21	4.03	1.21	4.00	1.22	3.93	1.23	
1.0	4.30	1.19	4.23	1.21	4.17	1.22	4.14	1.22	4.10	1.23	4.04	1.24	
3.0	4.51	1.22	4.45	1.23	4.38	1.24	4.35	1.24	4.32	1.25	4.25	1.26	
6.0	4.83	1.25	4.76	1.26	4.70	1.27	4.67	1.28	4.64	1.28	4.57	1.29	
8.0	5.04	1.27	4.98	1.28	4.91	1.29	4.88	1.30	4.85	1.30	4.78	1.31	
10.0	5.25	1.29	5.19	1.30	5.12	1.31	5.09	1.32	5.06	1.32	4.99	1.33	
12.0	5.47	1.31	5.40	1.32	5.34	1.33	5.30	1.34	5.27	1.34	5.21	1.36	
15.0	5.79	1.34	5.72	1.35	5.66	1.36	5.62	1.37	5.59	1.38	5.53	1.39	
18.0	4.94	1.07	4.86	1.07	4.78	1.07	4.74	1.07	4.70	1.07	4.62	1.07	

3D055834A

SYMBOLS

TC: Total capacity (kW)
PI: Power input (kW)

NOTE

- Capacities are based on the following conditions.
Corresponding refrigerant piping length: 5m
Level difference: 0m
- The bold line **□** is indicated the standard condition.
- The above is the value for connecting with the following indoor units.
2.0, 2.5, 3.5 kW Class; wall mounted C, D (GMSS) series.

4 Capacity tables

4 - 3 Heating capacity tables

2MXS40G

★ Heating (50Hz 230V)

Combination (Capacity)	outdoor air temp. °CWB	Indoor air temp.: °CDB												
		16.0°C		18°C		20°C		21°C		22°C		24.0°C		
		TC kW	PI kW	TC kW	PI kW	TC kW	PI kW	TC kW	PI kW	TC kW	PI kW	TC kW	PI kW	
2.5+2.5	-10.0	3.13	1.09	3.07	1.10	3.00	1.11	2.97	1.12	2.94	1.12	2.87	1.13	
	-7.0	3.45	1.12	3.39	1.13	3.32	1.14	3.29	1.15	3.26	1.15	3.19	1.17	
	-5.0	3.66	1.14	3.60	1.15	3.53	1.16	3.50	1.17	3.47	1.18	3.40	1.19	
	-2.0	3.98	1.17	3.92	1.18	3.85	1.20	3.82	1.20	3.79	1.21	3.72	1.22	
	0.0	4.19	1.19	4.13	1.21	4.06	1.22	4.03	1.22	4.00	1.23	3.93	1.24	
	1.0	4.30	1.20	4.23	1.22	4.17	1.23	4.14	1.23	4.10	1.24	4.04	1.25	
	3.0	4.51	1.23	4.45	1.24	4.38	1.25	4.35	1.25	4.32	1.26	4.25	1.27	
	6.0	4.83	1.26	4.76	1.27	4.70	1.28	4.67	1.29	4.64	1.29	4.57	1.30	
	8.0	5.04	1.28	4.98	1.29	4.91	1.30	4.88	1.31	4.85	1.31	4.78	1.32	
	10.0	5.25	1.30	5.19	1.31	5.12	1.32	5.09	1.33	5.06	1.33	4.99	1.35	
	12.0	5.47	1.32	5.40	1.33	5.34	1.34	5.30	1.35	5.27	1.35	5.21	1.37	
	15.0	5.79	1.35	5.72	1.36	5.66	1.37	5.62	1.38	5.59	1.39	5.53	1.40	
	18.0	4.91	1.07	4.83	1.07	4.75	1.07	4.71	1.07	4.67	1.07	4.59	1.07	
	2.5+3.5	-10.0	3.13	1.07	3.07	1.08	3.00	1.09	2.97	1.10	2.94	1.11	2.87	1.12
		-7.0	3.45	1.10	3.39	1.11	3.32	1.13	3.29	1.13	3.26	1.14	3.19	1.15
-5.0		3.66	1.12	3.60	1.13	3.53	1.15	3.50	1.15	3.47	1.16	3.40	1.17	
-2.0		3.98	1.15	3.92	1.17	3.85	1.18	3.82	1.18	3.79	1.19	3.72	1.20	
0.0		4.19	1.18	4.13	1.19	4.06	1.20	4.03	1.20	4.00	1.21	3.93	1.22	
1.0		4.30	1.19	4.23	1.20	4.17	1.21	4.14	1.21	4.10	1.22	4.04	1.23	
3.0		4.51	1.21	4.45	1.22	4.38	1.23	4.35	1.23	4.32	1.24	4.25	1.25	
6.0		4.83	1.24	4.76	1.25	4.70	1.26	4.67	1.27	4.64	1.27	4.57	1.28	
8.0		5.04	1.26	4.98	1.27	4.91	1.28	4.88	1.29	4.85	1.29	4.78	1.30	
10.0		5.25	1.28	5.19	1.29	5.12	1.30	5.09	1.31	5.06	1.31	4.99	1.32	
12.0		5.47	1.30	5.40	1.31	5.34	1.32	5.30	1.33	5.27	1.33	5.21	1.34	
15.0		5.79	1.33	5.72	1.34	5.66	1.35	5.62	1.36	5.59	1.36	5.53	1.38	
18.0		4.97	1.07	4.89	1.07	4.81	1.07	4.77	1.07	4.73	1.07	4.65	1.07	

3D055835A

SYMBOLS

TC: Total capacity (kW)
PI: Power input (kW)

NOTES

- Capacities are based on the following conditions.
Corresponding refrigerant piping length: 5m
Level difference: 0m
- The bold line **□** is indicated the standard condition.
- The above is the value for connecting with the following indoor units.
2.0, 2.5, 3.5 kW Class; wall mounted C, D (GMS5) series

1
4

4 Capacity tables

4 - 3 Heating capacity tables

2MXS50G

★ Heating (50Hz 230V)

Combination (Capacity)	outdoor air temp. °CDB	Indoor air temp.: °CWB												
		16.0°C		18.0°C		20.0°C		21.0°C		22.0°C		24.0°C		
		TC kW	PI kW	TC kW	PI kW	TC kW	PI kW	TC kW	PI kW	TC kW	PI kW	TC kW	PI kW	
2.0	-15.0	2.05	0.92	2.00	0.93	1.95	0.94	1.92	0.95	1.89	0.95	1.84	0.96	
	-11.0	2.38	0.96	2.33	0.97	2.28	0.98	2.25	0.99	2.23	0.99	2.18	1.00	
	-8.0	2.63	0.99	2.58	1.00	2.53	1.01	2.50	1.01	2.48	1.02	2.43	1.03	
	-6.0	2.80	1.01	2.75	1.02	2.70	1.03	2.67	1.03	2.65	1.04	2.60	1.05	
	-1.0	3.22	1.05	3.17	1.06	3.12	1.07	3.09	1.08	3.06	1.08	3.01	1.09	
	1.0	3.38	1.07	3.33	1.08	3.28	1.09	3.26	1.10	3.23	1.10	3.18	1.11	
	3.0	3.55	1.09	3.50	1.10	3.45	1.11	3.42	1.12	3.40	1.12	3.35	1.13	
	6.0	3.80	1.12	3.75	1.13	3.70	1.14	3.67	1.15	3.65	1.15	3.60	1.16	
	8.0	3.97	1.14	3.92	1.15	3.87	1.16	3.84	1.16	3.82	1.17	3.76	1.18	
	10.0	4.14	1.16	4.09	1.17	4.03	1.18	4.01	1.18	3.98	1.19	3.93	1.20	
	12.0	4.30	1.18	4.25	1.19	4.20	1.20	4.18	1.20	4.15	1.21	4.10	1.22	
	15.0	4.55	1.20	4.50	1.21	4.45	1.22	4.43	1.23	4.40	1.23	4.35	1.25	
	18.0	4.80	1.23	4.75	1.24	4.70	1.25	4.68	1.26	4.65	1.26	4.60	1.27	
	2.5	-15.0	2.27	1.08	2.21	1.09	2.16	1.10	2.13	1.11	2.10	1.11	2.04	1.12
		-11.0	2.64	1.12	2.58	1.13	2.53	1.14	2.50	1.15	2.47	1.16	2.41	1.17
-8.0		2.92	1.15	2.86	1.16	2.80	1.18	2.78	1.18	2.75	1.19	2.69	1.20	
-6.0		3.10	1.17	3.05	1.19	2.99	1.20	2.96	1.20	2.93	1.21	2.88	1.22	
-1.0		3.57	1.23	3.51	1.24	3.45	1.25	3.42	1.26	3.40	1.27	3.34	1.28	
1.0		3.75	1.25	3.69	1.26	3.64	1.28	3.61	1.28	3.58	1.29	3.52	1.30	
3.0		3.94	1.27	3.88	1.29	3.82	1.30	3.79	1.30	3.77	1.31	3.71	1.32	
6.0		4.21	1.31	4.16	1.32	4.10	1.33	4.07	1.34	4.04	1.34	3.99	1.35	
8.0		4.40	1.33	4.34	1.34	4.29	1.35	4.26	1.36	4.23	1.36	4.17	1.38	
10.0		4.58	1.35	4.53	1.36	4.47	1.37	4.44	1.38	4.41	1.39	4.36	1.40	
12.0		4.77	1.37	4.71	1.38	4.66	1.40	4.63	1.40	4.60	1.41	4.54	1.42	
15.0		5.05	1.40	4.99	1.42	4.93	1.43	4.91	1.43	4.88	1.44	4.59	1.35	
18.0		5.32	1.44	5.27	1.45	5.17	1.44	5.02	1.40	4.88	1.35	4.59	1.27	
3.5		-15.0	2.55	1.24	2.48	1.25	2.42	1.27	2.39	1.27	2.35	1.28	2.29	1.29
		-11.0	2.96	1.29	2.90	1.30	2.83	1.32	2.80	1.32	2.77	1.33	2.71	1.34
	-8.0	3.27	1.33	3.21	1.34	3.15	1.35	3.11	1.36	3.08	1.37	3.02	1.38	
	-6.0	3.48	1.35	3.42	1.37	3.35	1.38	3.32	1.39	3.29	1.39	3.23	1.41	
	-1.0	4.00	1.41	3.94	1.43	3.87	1.44	3.84	1.45	3.81	1.46	3.75	1.47	
	1.0	4.21	1.44	4.14	1.45	4.08	1.47	4.05	1.47	4.02	1.48	3.95	1.49	
	3.0	4.42	1.46	4.35	1.48	4.29	1.49	4.26	1.50	4.22	1.51	4.16	1.52	
	6.0	4.73	1.50	4.66	1.52	4.60	1.53	4.57	1.54	4.54	1.54	4.47	1.56	
	8.0	4.93	1.53	4.87	1.54	4.81	1.56	4.78	1.56	4.74	1.57	4.68	1.58	
	10.0	5.14	1.55	5.08	1.57	5.02	1.58	4.98	1.59	4.95	1.59	4.74	1.53	
	12.0	5.35	1.58	5.29	1.59	5.22	1.61	5.18	1.61	5.04	1.56	4.74	1.46	
	15.0	5.66	1.62	5.60	1.63	5.53	1.55	5.18	1.50	5.04	1.45	4.74	1.36	
	18.0	5.93	1.63	5.83	1.54	5.33	1.45	5.18	1.41	5.04	1.36	4.74	1.27	

Combination (Capacity)	outdoor air temp. °CDB	Indoor air temp.: °CWB												
		16.0°C		18.0°C		20.0°C		21.0°C		22.0°C		24.0°C		
		TC kW	PI kW	TC kW	PI kW	TC kW	PI kW	TC kW	PI kW	TC kW	PI kW	TC kW	PI kW	
5.0	-15.0	3.10	1.60	3.02	1.62	2.94	1.64	2.91	1.65	2.87	1.66	2.79	1.67	
	-11.0	3.60	1.67	3.53	1.68	3.45	1.70	3.41	1.71	3.37	1.72	3.30	1.74	
	-8.0	3.98	1.72	3.91	1.73	3.83	1.75	3.79	1.76	3.75	1.77	3.67	1.79	
	-6.0	4.24	1.75	4.16	1.77	4.08	1.78	4.04	1.79	4.01	1.80	3.93	1.82	
	-1.0	4.87	1.83	4.79	1.85	4.71	1.87	4.68	1.87	4.64	1.88	4.56	1.90	
	1.0	5.12	1.86	5.04	1.88	4.97	1.90	4.93	1.91	4.89	1.92	4.81	1.93	
	3.0	5.38	1.90	5.30	1.91	5.22	1.93	5.18	1.94	5.14	1.95	5.07	1.97	
	6.0	5.75	1.94	5.68	1.96	5.60	1.98	5.56	1.99	5.52	2.00	5.28	1.91	
	8.0	6.01	1.98	5.93	1.99	5.85	2.01	5.77	2.00	5.61	1.93	5.28	1.79	
	10.0	6.26	2.01	6.18	2.03	6.09	1.95	5.77	1.88	5.61	1.82	5.28	1.69	
	12.0	6.51	2.04	6.27	1.96	5.94	1.84	5.77	1.78	5.61	1.72	5.28	1.60	
	15.0	6.60	1.93	6.27	1.82	5.94	1.71	5.77	1.65	5.61	1.60	5.28	1.49	
	18.0	6.54	1.80	6.27	1.70	5.94	1.59	5.77	1.54	5.61	1.49	5.28	1.39	
	2.0+2.0	-15.0	3.15	1.24	3.08	1.25	3.00	1.27	2.96	1.27	2.92	1.28	2.84	1.29
		-11.0	3.67	1.29	3.59	1.30	3.51	1.32	3.47	1.32	3.43	1.33	3.35	1.34
-8.0		4.06	1.33	3.98	1.34	3.90	1.35	3.86	1.36	3.82	1.37	3.74	1.38	
-6.0		4.31	1.35	4.23	1.37	4.16	1.38	4.12	1.39	4.08	1.39	4.00	1.41	
-1.0		4.96	1.41	4.88	1.43	4.80	1.44	4.76	1.45	4.72	1.46	4.64	1.47	
1.0		5.21	1.44	5.14	1.45	5.06	1.47	5.02	1.47	4.98	1.48	4.90	1.49	
3.0		5.47	1.46	5.39	1.48	5.31	1.49	5.27	1.50	5.24	1.51	5.16	1.52	
6.0		5.86	1.50	5.78	1.52	5.70	1.53	5.66	1.54	5.62	1.54	5.54	1.56	
8.0		6.11	1.53	6.04	1.54	5.96	1.56	5.92	1.56	5.88	1.57	5.80	1.58	
10.0		6.37	1.55	6.29	1.57	6.21	1.58	6.18	1.59	6.14	1.59	6.06	1.61	
12.0		6.63	1.58	6.55	1.59	6.47	1.61	6.43	1.61	6.39	1.62	6.31	1.63	
15.0		7.02	1.62	6.94	1.63	6.86	1.64	6.82	1.65	6.78	1.66	6.70	1.67	
18.0		7.40	1.65	7.32	1.67	7.24	1.68	7.21	1.69	7.17	1.69	7.09	1.71	
2.0+2.5		-15.0	3.21	1.26	3.13	1.28	3.05	1.29	3.01	1.30	2.97	1.30	2.89	1.32
		-11.0	3.73	1.31	3.65	1.33	3.57	1.34	3.53	1.35	3.49	1.36	3.41	1.37
	-8.0	4.13	1.35	4.05	1.37	3.97	1.38	3.93	1.39	3.89	1.39	3.81	1.41	
	-6.0	4.39	1.38	4.31	1.39	4.23	1.41	4.19	1.41	4.15	1.42	4.07	1.43	
	-1.0	5.04	1.44	4.96	1.46	4.88	1.47	4.84	1.48	4.80	1.48	4.72	1.50	
	1.0	5.31	1.47	5.23	1.48	5.15	1.50	5.11	1.50	5.06	1.51	4.98	1.52	
	3.0	5.57	1.49	5.49	1.51	5.41	1.52	5.37	1.53	5.33	1.54	5.25	1.55	
	6.0	5.96	1.53	5.88	1.55	5.80	1.56	5.76	1.57	5.72	1.57	5.64	1.59	
	8.0	6.22	1.56	6.14	1.57	6.06	1.59	6.02	1.59	5.98	1.60	5.90	1.61	
	10.0	6.48	1.58	6.40	1.60	6.32	1.61	6.28	1.62	6.24	1.63	6.16	1.64	
	12.0	6.75	1.61	6.67	1.62	6.59	1.64	6.55	1.64	6.51	1.65	6.43	1.67	
	15.0	7.14	1.65	7.06	1.66	6.98	1.68	6.94	1.68	6.90	1.69	6.82	1.70	
	18.0	7.53	1.69	7.45	1.70	7.37	1.71	7.33	1.72	7.29	1.73	7.21	1.74	

3D057674A

SYMBOLS

TC: Total capacity (kW)
PI: Power input (kW)

NOTES

- Capacities are based on the following conditions.
Corresponding refrigerant piping length: 5m
Level difference: 0m
- The bold line **□** is indicated the standard condition.
- The above is the value for connecting with the following indoor units.
2.0, 2.5, 3.5, 5.0 kW Class; wall mounted D, E (NW-S) series.

4 Capacity tables

4 - 3 Heating capacity tables

2MXS50G

★ Heating (50Hz 230V)

Combination (Capacity)	outdoor air temp. °CDB	Indoor air temp.: °CWB												
		16.0°C		18.0°C		20.0°C		21.0°C		22.0°C		24.0°C		
		TC kW	PI kW	TC kW	PI kW	TC kW	PI kW	TC kW	PI kW	TC kW	PI kW	TC kW	PI kW	
2.0+3.5	-15.0	3.26	1.27	3.18	1.28	3.10	1.30	3.06	1.31	3.02	1.31	2.94	1.33	
	-11.0	3.80	1.32	3.72	1.34	3.63	1.35	3.59	1.36	3.55	1.36	3.47	1.38	
	-8.0	4.20	1.36	4.12	1.37	4.03	1.39	3.99	1.40	3.95	1.40	3.87	1.42	
	-6.0	4.46	1.39	4.38	1.40	4.30	1.41	4.26	1.42	4.22	1.43	4.14	1.44	
	-1.0	5.13	1.45	5.05	1.47	4.97	1.48	4.93	1.49	4.89	1.49	4.80	1.51	
	1.0	5.40	1.48	5.32	1.49	5.23	1.51	5.19	1.51	5.15	1.52	5.07	1.53	
	3.0	5.66	1.50	5.58	1.52	5.50	1.53	5.46	1.54	5.42	1.55	5.34	1.56	
	6.0	6.06	1.54	5.98	1.56	5.90	1.57	5.86	1.58	5.82	1.58	5.74	1.60	
	8.0	6.33	1.57	6.25	1.58	6.17	1.60	6.13	1.60	6.09	1.61	6.00	1.62	
	10.0	6.60	1.59	6.51	1.61	6.43	1.62	6.39	1.63	6.35	1.64	6.27	1.65	
	12.0	6.86	1.62	6.78	1.63	6.70	1.65	6.66	1.65	6.62	1.66	6.54	1.68	
	15.0	7.26	1.66	7.18	1.67	7.10	1.69	7.06	1.69	7.02	1.70	6.94	1.71	
	18.0	7.66	1.70	7.58	1.71	7.50	1.73	7.46	1.73	7.42	1.74	7.34	1.75	
	2.0+5.0	-15.0	3.43	1.30	3.35	1.32	3.26	1.33	3.22	1.34	3.17	1.35	3.09	1.36
		-11.0	3.99	1.36	3.91	1.378	3.82	1.38	3.78	1.39	3.73	1.40	3.65	1.41
-8.0		4.41	1.40	4.33	1.41	4.24	1.42	4.20	1.43	4.15	1.44	4.07	1.45	
-6.0		4.69	1.42	4.61	1.44	4.52	1.45	4.48	1.46	4.43	1.47	4.35	1.48	
-1.0		5.39	1.49	5.31	1.50	5.22	1.52	5.18	1.52	5.13	1.53	5.05	1.55	
1.0		5.67	1.51	5.59	1.53	5.50	1.54	5.46	1.55	5.41	1.56	5.33	1.57	
3.0		5.95	1.54	5.87	1.56	5.78	1.57	5.74	1.58	5.69	1.58	5.61	1.60	
6.0		6.37	1.58	6.29	1.60	6.20	1.61	6.16	1.62	6.11	1.62	6.03	1.64	
8.0		6.65	1.61	6.57	1.62	6.48	1.64	6.44	1.64	6.39	1.65	6.31	1.67	
10.0		6.93	1.63	6.85	1.65	6.76	1.66	6.72	1.67	6.67	1.68	6.59	1.69	
12.0		7.21	1.66	7.13	1.68	7.04	1.69	7.00	1.70	6.95	1.70	6.87	1.72	
15.0		7.63	1.70	7.55	1.71	7.46	1.73	7.42	1.74	7.37	1.74	7.29	1.76	
18.0		8.05	1.74	7.97	1.75	7.88	1.77	7.84	1.78	7.79	1.78	7.71	1.80	
2.5+2.5		-15.0	3.21	1.25	3.13	1.27	3.05	1.28	3.01	1.29	2.97	1.30	2.89	1.31
		-11.0	3.73	1.31	3.65	1.32	3.57	1.33	3.53	1.34	3.49	1.35	3.41	1.36
	-8.0	4.13	1.34	4.05	1.36	3.97	1.37	3.93	1.38	3.89	1.39	3.81	1.40	
	-6.0	4.39	1.37	4.31	1.38	4.23	1.40	4.19	1.40	4.15	1.41	4.07	1.42	
	-1.0	5.04	1.43	4.96	1.45	4.88	1.46	4.84	1.47	4.80	1.47	4.72	1.49	
	1.0	5.31	1.46	5.23	1.47	5.15	1.49	5.11	1.49	5.06	1.50	4.98	1.51	
	3.0	5.57	1.48	5.49	1.50	5.41	1.51	5.37	1.52	5.33	1.53	5.25	1.54	
	6.0	5.96	1.52	5.88	1.54	5.80	1.55	5.76	1.56	5.72	1.56	5.64	1.58	
	8.0	6.22	1.55	6.14	1.56	6.06	1.58	6.02	1.58	5.98	1.59	5.90	1.60	
	10.0	6.48	1.57	6.40	1.59	6.32	1.60	6.28	1.61	6.24	1.62	6.16	1.63	
	12.0	6.75	1.60	6.67	1.61	6.59	1.63	6.55	1.63	6.51	1.64	6.43	1.65	
	15.0	7.14	1.64	7.06	1.65	6.98	1.66	6.94	1.67	6.90	1.68	6.82	1.69	
	18.0	7.53	1.68	7.45	1.69	7.37	1.70	7.33	1.71	7.29	1.72	7.21	1.73	

Combination (Capacity)	outdoor air temp. °CDB	Indoor air temp.: °CWB												
		16.0°C		18.0°C		20.0°C		21.0°C		22.0°C		24.0°C		
		TC kW	PI kW	TC kW	PI kW	TC kW	PI kW	TC kW	PI kW	TC kW	PI kW	TC kW	PI kW	
2.5+3.5	-15.0	3.32	1.33	3.24	1.34	3.15	1.36	3.11	1.36	3.07	1.37	2.99	1.39	
	-11.0	3.86	1.38	3.78	1.40	3.70	1.41	3.66	1.42	3.61	1.43	3.53	1.44	
	-8.0	4.27	1.42	4.19	1.44	4.10	1.45	4.06	1.46	4.02	1.47	3.94	1.48	
	-6.0	4.54	1.45	4.46	1.46	4.37	1.48	4.33	1.49	4.29	1.49	4.21	1.51	
	-1.0	5.22	1.52	5.13	1.53	5.05	1.55	5.01	1.55	4.97	1.56	4.89	1.58	
	1.0	5.49	1.54	5.41	1.46	5.32	1.57	5.28	1.58	5.24	1.59	5.16	1.60	
	3.0	5.76	1.57	5.68	1.58	5.59	1.60	5.55	1.61	5.51	1.61	5.43	1.63	
	6.0	6.17	1.61	6.08	1.63	6.00	1.64	5.96	1.65	5.92	1.65	5.83	1.67	
	8.0	6.44	1.64	6.35	1.65	6.27	1.67	6.23	1.67	6.19	1.68	6.11	1.70	
	10.0	6.71	1.66	6.62	1.68	6.54	1.69	6.50	1.70	6.46	1.71	6.38	1.72	
	12.0	6.98	1.69	6.90	1.71	6.81	1.72	6.77	1.73	6.73	1.74	6.65	1.75	
	15.0	7.39	1.73	7.30	1.75	7.22	1.76	7.18	1.77	7.14	1.78	7.05	1.79	
	18.0	7.79	1.77	7.71	1.79	7.63	1.80	7.58	1.81	7.54	1.82	7.46	1.83	
	2.5+5.0	-15.0	3.49	1.33	3.40	1.35	3.31	1.36	3.27	1.37	3.23	1.38	3.14	1.39
		-11.0	4.06	1.39	3.97	1.40	3.88	1.42	3.84	1.43	3.79	1.43	3.71	1.45
-8.0		4.48	1.43	4.40	1.44	4.31	1.46	4.26	1.47	4.22	1.47	4.13	1.49	
-6.0		4.77	1.46	4.68	1.47	4.59	1.49	4.55	1.49	4.51	1.50	4.42	1.52	
-1.0		5.48	1.53	5.39	1.54	5.30	1.55	5.26	1.56	5.22	1.57	5.13	1.58	
1.0		5.76	1.55	5.68	1.57	5.59	1.58	5.55	1.59	5.50	1.60	5.41	1.61	
3.0		6.05	1.58	5.96	1.59	5.87	1.61	5.83	1.62	5.79	1.62	5.70	1.64	
6.0		6.47	1.62	6.39	1.64	6.30	1.65	6.26	1.66	6.21	1.66	6.13	1.68	
8.0		6.76	1.65	6.67	1.66	6.58	1.68	6.54	1.68	6.50	1.69	6.41	1.71	
10.0		7.04	1.67	6.96	1.69	6.87	1.70	6.83	1.71	6.78	1.72	6.70	1.73	
12.0		7.33	1.70	7.24	1.72	7.15	1.73	7.11	1.74	7.07	1.75	6.98	1.76	
15.0		7.75	1.74	7.67	1.76	7.58	1.77	7.54	1.78	7.49	1.79	7.41	1.80	
18.0		8.18	1.78	8.09	1.80	8.01	1.81	7.96	1.82	7.92	1.83	7.80	1.83	
3.5+3.5		-15.0	3.38	1.33	3.29	1.35	3.21	1.36	3.16	1.37	3.12	1.389	3.04	1.39
		-11.0	3.93	1.39	3.84	1.40	3.76	1.42	3.72	1.43	3.67	1.43	3.59	1.45
	-8.0	4.34	1.43	4.26	1.44	4.17	1.46	4.13	1.47	4.09	1.47	4.00	1.49	
	-6.0	4.62	1.46	4.53	1.47	4.45	1.49	4.40	1.49	4.36	1.50	4.28	1.52	
	-1.0	5.30	1.53	5.22	1.54	5.14	1.55	5.09	1.56	5.05	1.57	4.97	1.58	
	1.0	5.58	1.55	5.50	1.57	5.41	1.58	5.37	1.59	5.33	1.60	5.24	1.61	
	3.0	5.86	1.58	5.77	1.59	5.69	1.61	5.64	1.62	5.60	1.62	5.52	1.64	
	6.0	6.27	1.62	6.18	1.64	6.10	1.65	6.06	1.66	6.02	1.66	5.93	1.68	
	8.0	6.54	1.65	6.46	1.66	6.38	1.68	6.33	1.68	6.29	1.69	6.21	1.71	
	10.0	6.82	1.67	6.74	1.69	6.65	1.70	6.61	1.71	6.57	1.72	6.48	1.73	
	12.0	7.10	1.70	7.01	1.72	6.93	1.73	6.88	1.74	6.84	1.75	6.76	1.76	
	15.0	7.51	1.74	7.42	1.76	7.34	1.77	7.30	1.78	7.26	1.79	7.17	1.80	
	18.0	7.92	1.78	7.84	1.80	7.75	1.81	7.71	1.82	7.67	1.83	7.55	1.83	

3D05675B

SYMBOLS

TC: Total capacity (kW)
PI: Power input (kW)

NOTES

- Capacities are based on the following conditions.
Corresponding refrigerant piping length: 5m
Level difference: 0m
- The bold line **□** is indicated the standard condition.
- The above is the value for connecting with the following indoor units.
2.0, 2.5, 3.5, 5.0 kW Class; wall mounted D, E (NW-S) series.

4 Capacity tables

4 - 3 Heating capacity tables

2MXS50G

★ Heating (50Hz 230V)

Combination (Capacity)	Outdoor air temp. °CDB	Indoor air temp.: °CWB											
		14.0°C		16.0°C		18.0°C		19.0°C		22.0°C		24.0°C	
		TC kW	PI kW	TC kW	PI kW	TC kW	PI kW	TC kW	PI kW	TC kW	PI kW	TC kW	PI kW
3.5+5.0	-15.0	3.54	1.33	3.45	1.35	3.36	1.36	3.32	1.37	3.28	1.38	3.19	1.39
	-11.0	4.12	1.39	4.03	1.40	3.94	1.42	3.90	1.43	3.85	1.43	3.77	1.45
	-8.0	4.55	1.43	4.46	1.44	4.38	1.46	4.33	1.47	4.29	1.47	4.20	1.49
	-6.0	4.84	1.46	4.75	1.47	4.67	1.49	4.62	1.49	4.58	1.50	4.49	1.52
	-1.0	5.56	1.53	5.48	1.54	5.39	1.55	5.34	1.56	5.30	1.57	5.21	1.58
	1.0	5.85	1.55	5.77	1.57	5.68	1.58	5.63	1.59	5.59	1.60	5.50	1.61
	3.0	6.14	1.58	6.05	1.59	5.97	1.61	5.92	1.62	5.88	1.62	5.79	1.64
	6.0	6.58	1.62	6.49	1.64	6.40	1.65	6.36	1.66	6.31	1.66	6.22	1.68
	8.0	6.87	1.65	6.78	1.66	6.69	1.68	6.64	1.68	6.60	1.69	6.51	1.71
	10.0	7.15	1.67	7.07	1.69	6.98	1.70	6.93	1.71	6.89	1.72	6.80	1.73
	12.0	7.44	1.70	7.36	1.72	7.27	1.73	7.22	1.74	7.18	1.75	7.09	1.76
	15.0	7.88	1.74	7.79	1.76	7.70	1.77	7.66	1.78	7.61	1.79	7.52	1.80
	18.0	8.31	1.78	8.22	1.80	8.13	1.81	8.09	1.82	8.05	1.83	7.92	1.83

3D057676A

SYMBOLS

TC: Total capacity (kW)
PI: Power input (kW)

NOTES

- Capacities are based on the following conditions.
Corresponding refrigerant piping length: 5m
Level difference: 0m
- The bold line **█** is indicated the standard condition.
- The above is the value for connecting with the following indoor units.
2.0, 2.5, 3.5, 5.0kW Class; wall mounted D, E (NW-S) series

4 Capacity tables

4 - 3 Heating capacity tables

2MXS50G

★ Heating (50Hz 230V)

Combination (capacity)	outdoor air temp. °CWB	Indoor air temp.: °CDB												
		16°C		18°C		20°C		21°C		22°C		24°C		
		TC kW	PI kW	TC kW	PI kW	TC kW	PI kW	TC kW	PI kW	TC kW	PI kW	TC kW	PI kW	
2.0	-15.0	2.05	0.92	2.00	0.93	1.95	0.94	1.92	0.95	1.89	0.95	1.84	0.96	
	-11.0	2.38	0.96	2.33	0.97	2.28	0.98	2.25	0.99	2.23	0.99	2.18	1.00	
	-8.0	2.63	0.99	2.58	1.00	2.53	1.01	2.50	1.01	2.48	1.02	2.43	1.03	
	-6.0	2.80	1.01	2.75	1.02	2.70	1.03	2.67	1.03	2.65	1.04	2.60	1.05	
	-1.0	3.22	1.05	3.17	1.06	3.12	1.07	3.09	1.08	3.06	1.08	3.01	1.09	
	1.0	3.38	1.07	3.33	1.08	3.28	1.09	3.26	1.10	3.23	1.10	3.18	1.11	
	3.0	3.55	1.09	3.50	1.10	3.45	1.11	3.42	1.12	3.40	1.12	3.35	1.13	
	6.0	3.80	1.12	3.75	1.13	3.70	1.14	3.67	1.15	3.65	1.15	3.60	1.16	
	8.0	3.97	1.14	3.92	1.15	3.87	1.16	3.84	1.16	3.82	1.17	3.76	1.18	
	10.0	4.14	1.16	4.09	1.17	4.03	1.18	4.01	1.18	3.98	1.19	3.93	1.20	
	12.0	4.30	1.18	4.25	1.19	4.20	1.20	4.18	1.20	4.15	1.21	4.10	1.22	
	15.0	4.55	1.20	4.50	1.21	4.45	1.22	4.43	1.23	4.40	1.23	4.35	1.25	
	18.0	4.80	1.23	4.75	1.24	4.70	1.25	4.68	1.26	4.65	1.26	4.60	1.27	
	2.5	-15.0	2.27	1.08	2.21	1.09	2.16	1.10	2.13	1.11	2.10	1.11	2.04	1.12
		-11.0	2.64	1.12	2.58	1.13	2.53	1.14	2.50	1.15	2.47	1.16	2.41	1.17
		-8.0	2.92	1.15	2.86	1.16	2.80	1.18	2.78	1.18	2.75	1.19	2.69	1.20
		-6.0	3.10	1.17	3.05	1.19	2.99	1.20	2.96	1.20	2.93	1.21	2.88	1.22
		-1.0	3.57	1.23	3.51	1.24	3.45	1.25	3.42	1.26	3.40	1.27	3.34	1.28
1.0		3.75	1.25	3.69	1.26	3.64	1.28	3.61	1.28	3.58	1.29	3.52	1.30	
3.0		3.94	1.27	3.88	1.29	3.82	1.30	3.79	1.30	3.77	1.31	3.71	1.32	
6.0		4.21	1.31	4.16	1.32	4.10	1.33	4.07	1.34	4.04	1.34	3.99	1.35	
8.0		4.40	1.33	4.34	1.34	4.29	1.35	4.26	1.36	4.23	1.36	4.17	1.38	
10.0		4.58	1.35	4.53	1.36	4.47	1.37	4.44	1.38	4.41	1.39	4.36	1.40	
12.0		4.77	1.37	4.71	1.38	4.66	1.40	4.63	1.40	4.60	1.41	4.54	1.42	
15.0		5.05	1.40	4.99	1.42	4.93	1.43	4.91	1.43	4.88	1.44	4.82	1.45	
18.0		5.32	1.44	5.27	1.45	5.17	1.44	5.02	1.40	4.88	1.35	4.59	1.27	
3.5		-15.0	2.55	1.24	2.48	1.25	2.42	1.27	2.39	1.27	2.35	1.28	2.29	1.29
		-11.0	2.96	1.29	2.90	1.30	2.83	1.32	2.80	1.32	2.77	1.33	2.71	1.34
		-8.0	3.27	1.33	3.21	1.34	3.15	1.35	3.11	1.36	3.08	1.37	3.02	1.38
		-6.0	3.448	1.35	3.42	1.37	3.35	1.38	3.32	1.39	3.29	1.39	3.23	1.41
		-1.0	4.00	1.41	3.94	1.43	3.87	1.44	3.84	1.45	3.81	1.46	3.75	1.47
	1.0	4.21	1.44	4.14	1.45	4.08	1.47	4.05	1.47	4.02	1.48	3.95	1.49	
	3.0	4.42	1.46	4.35	1.48	4.29	1.49	4.26	1.50	4.22	1.51	4.16	1.52	
	6.0	4.73	1.50	4.66	1.52	4.60	1.53	4.57	1.54	4.54	1.54	4.47	1.56	
	8.0	4.93	1.53	4.87	1.54	4.81	1.56	4.78	1.56	4.74	1.57	4.68	1.58	
	10.0	5.14	1.55	5.08	1.57	5.02	1.58	4.98	1.59	4.95	1.59	4.74	1.53	
	12.0	5.35	1.58	5.29	1.59	5.22	1.61	5.18	1.61	5.04	1.56	4.74	1.46	
	15.0	5.66	1.62	5.60	1.63	5.53	1.65	5.18	1.50	5.04	1.45	4.74	1.36	
	18.0	5.93	1.63	5.63	1.64	5.53	1.65	5.18	1.41	5.04	1.36	4.74	1.27	

Combination (Capacity)	outdoor air temp. °CWB	Indoor air temp.: °CDB												
		16°C		18°C		20°C		21°C		22°C		24°C		
		TC kW	PI kW	TC kW	PI kW	TC kW	PI kW	TC kW	PI kW	TC kW	PI kW	TC kW	PI kW	
4.2	-15.0	2.82	1.43	2.75	1.45	2.68	1.46	2.65	1.47	2.61	1.48	2.54	1.50	
	-11.0	3.28	1.49	3.21	1.51	3.14	1.52	3.11	1.53	3.07	1.54	3.00	1.55	
	-8.0	3.63	1.53	3.56	1.55	3.49	1.57	3.45	1.57	3.42	1.58	3.35	1.60	
	-6.0	3.86	1.56	3.79	1.58	3.72	1.60	3.68	1.60	3.65	1.61	3.58	1.63	
	-1.0	4.43	1.64	4.36	1.65	4.29	1.67	4.26	1.68	4.22	1.68	4.15	1.70	
	1.0	4.66	1.67	4.59	1.68	4.52	1.70	4.49	1.71	4.45	1.71	4.38	1.73	
	3.0	4.90	1.69	4.82	1.71	4.75	1.73	4.72	1.73	4.68	1.74	4.61	1.76	
	6.0	5.24	1.74	5.17	1.75	5.10	1.77	5.06	1.78	5.03	1.79	4.74	1.67	
	8.0	5.47	1.77	5.40	1.78	5.33	1.80	5.18	1.74	5.04	1.69	4.74	1.58	
	10.0	5.70	1.80	5.63	1.81	5.53	1.70	5.18	1.65	5.04	1.60	4.74	1.49	
	12.0	5.93	1.82	5.63	1.72	5.33	1.62	5.18	1.57	5.04	1.52	4.74	1.42	
	15.0	5.93	1.70	5.63	1.60	5.33	1.51	5.18	1.46	5.04	1.41	4.74	1.32	
	18.0	5.93	1.59	5.63	1.50	5.33	1.41	5.18	1.37	5.04	1.33	4.74	1.24	
	5.0	-15.0	3.10	1.60	3.02	1.62	2.94	1.64	2.91	1.65	2.87	1.66	2.79	1.67
		-11.0	3.60	1.67	3.53	1.68	3.45	1.70	3.41	1.71	3.37	1.72	3.30	1.74
		-8.0	3.98	1.72	3.91	1.73	3.83	1.75	3.79	1.76	3.75	1.77	3.67	1.79
		-6.0	4.24	1.75	4.16	1.77	4.08	1.78	4.04	1.79	4.01	1.80	3.93	1.82
		-1.0	4.87	1.83	4.79	1.85	4.71	1.87	4.68	1.87	4.64	1.88	4.56	1.90
1.0		5.12	1.86	5.04	1.88	4.97	1.90	4.93	1.91	4.89	1.92	4.81	1.93	
3.0		5.38	1.90	5.30	1.91	5.22	1.93	5.18	1.94	5.14	1.95	5.07	1.97	
6.0		5.75	1.94	5.68	1.96	5.60	1.98	5.56	1.99	5.52	2.00	5.28	1.91	
8.0		6.01	1.98	5.93	1.99	5.85	2.01	5.77	2.00	5.61	1.93	5.28	1.79	
10.0		6.26	2.01	6.18	2.03	5.94	1.95	5.77	1.88	5.61	1.82	5.28	1.69	
12.0		6.51	2.04	6.27	1.96	5.94	1.84	5.77	1.78	5.61	1.72	5.28	1.60	
15.0		6.60	1.93	6.27	1.82	5.94	1.71	5.77	1.65	5.61	1.60	5.28	1.49	
18.0		6.54	1.80	6.27	1.70	5.94	1.59	5.77	1.54	5.61	1.49	5.28	1.39	
2.0+2.0		-15.0	3.15	1.24	3.08	1.25	3.00	1.27	2.96	1.27	2.92	1.28	2.84	1.29
		-11.0	3.67	1.29	3.59	1.30	3.51	1.32	3.47	1.32	3.43	1.33	3.35	1.34
		-8.0	4.06	1.33	3.98	1.34	3.90	1.35	3.86	1.36	3.82	1.37	3.74	1.38
		-6.0	4.31	1.35	4.23	1.37	4.16	1.38	4.12	1.39	4.08	1.39	4.00	1.41
		-1.0	4.96	1.41	4.88	1.43	4.80	1.44	4.76	1.45	4.72	1.46	4.64	1.47
	1.0	5.21	1.44	5.14	1.45	5.06	1.47	5.02	1.47	4.98	1.48	4.90	1.49	
	3.0	5.47	1.46	5.39	1.48	5.31	1.49	5.27	1.50	5.24	1.51	5.16	1.52	
	6.0	5.86	1.50	5.78	1.52	5.70	1.53	5.66	1.54	5.62	1.54	5.54	1.56	
	8.0	6.11	1.53	6.04	1.54	5.96	1.56	5.92	1.56	5.88	1.57	5.80	1.58	
	10.0	6.37	1.55	6.29	1.57	6.21	1.58	6.18	1.59	6.14	1.59	6.06	1.61	
	12.0	6.63	1.58	6.55	1.59	6.47	1.61	6.43	1.61	6.39	1.62	6.31	1.63	
	15.0	7.02	1.62	6.94	1.63	6.86	1.64	6.82	1.65	6.78	1.66	6.70	1.67	
	18.0	7.40	1.65	7.32	1.67	7.24	1.68	7.21	1.69	7.17	1.69	7.09	1.71	

3D059195

SYMBOLS

TC: Total capacity (kW)
PI: Power input (kW)

NOTE

- Capacities are based on the following conditions.
Corresponding refrigerant piping length: 5m
Level difference: 0m
- The bold line **□** is indicated the standard condition.
- The above is the value for connecting with the following indoor units.
2.0, 2.5, 3.5, 4.2, 5.0 kW Class: wall mounted G series.

4 Capacity tables

4 - 3 Heating capacity tables

2MXS50G

★ Heating (50Hz 230V)

Combination (capacity)	outdoor air temp. °CWB	Indoor air temp.: °CDB												
		16°C		18°C		20°C		21°C		22°C		24°C		
		TC	PI	TC	PI	TC	PI	TC	PI	TC	PI	TC	PI	
2.0+2.5	-15.0	3.21	1.26	3.13	1.28	3.05	1.29	3.01	1.30	2.97	1.30	2.89	1.32	
	-11.0	3.73	1.31	3.65	1.33	3.57	1.34	3.53	1.35	3.49	1.36	3.41	1.37	
	-8.0	4.13	1.35	4.05	1.37	3.97	1.38	3.93	1.39	3.89	1.39	3.81	1.41	
	-6.0	4.39	1.38	4.31	1.39	4.23	1.41	4.19	1.41	4.15	1.42	4.07	1.43	
	-1.0	5.04	1.44	4.96	1.46	4.88	1.47	4.84	1.48	4.80	1.48	4.72	1.50	
	1.0	5.31	1.47	5.23	1.48	5.15	1.50	5.11	1.50	5.06	1.51	4.98	1.52	
	3.0	5.57	1.49	5.49	1.51	5.41	1.52	5.37	1.53	5.33	1.54	5.25	1.55	
	6.0	5.96	1.53	5.88	1.55	5.80	1.56	5.76	1.57	5.72	1.57	5.64	1.59	
	8.0	6.22	1.56	6.14	1.57	6.06	1.59	6.02	1.59	5.98	1.60	5.90	1.61	
	10.0	6.48	1.58	6.40	1.60	6.32	1.61	6.28	1.62	6.24	1.63	6.16	1.64	
	12.0	6.75	1.61	6.67	1.62	6.59	1.64	6.55	1.64	6.51	1.65	6.43	1.67	
	15.0	7.14	1.65	7.06	1.66	6.98	1.68	6.94	1.68	6.90	1.69	6.82	1.70	
	18.0	7.53	1.69	7.45	1.70	7.37	1.71	7.33	1.72	7.29	1.73	7.21	1.74	
	2.0+3.5	-15.0	3.26	1.27	3.18	1.28	3.10	1.30	3.06	1.31	3.02	1.31	2.94	1.33
		-11.0	3.80	1.32	3.72	1.34	3.63	1.35	3.59	1.36	3.55	1.36	3.47	1.38
		-8.0	4.20	1.36	4.12	1.37	4.03	1.39	3.99	1.40	3.95	1.40	3.87	1.42
		-6.0	4.46	1.39	4.38	1.40	4.30	1.41	4.26	1.42	4.22	1.43	4.14	1.44
		-1.0	5.13	1.45	5.05	1.47	4.97	1.48	4.93	1.49	4.89	1.49	4.80	1.51
1.0		5.40	1.48	5.32	1.49	5.23	1.51	5.19	1.51	5.15	1.52	5.07	1.53	
3.0		5.66	1.50	5.58	1.52	5.50	1.53	5.46	1.54	5.42	1.55	5.34	1.56	
6.0		6.06	1.54	5.98	1.56	5.90	1.57	5.86	1.58	5.82	1.58	5.74	1.60	
8.0		6.33	1.57	6.25	1.58	6.17	1.60	6.13	1.60	6.09	1.61	6.00	1.62	
10.0		6.60	1.59	6.51	1.61	6.43	1.62	6.39	1.63	6.35	1.64	6.27	1.65	
12.0		6.86	1.62	6.78	1.63	6.70	1.65	6.66	1.65	6.62	1.66	6.54	1.68	
15.0		7.26	1.66	7.18	1.67	7.10	1.69	7.06	1.69	7.02	1.70	6.94	1.71	
18.0		7.66	1.70	7.58	1.71	7.50	1.73	7.46	1.73	7.42	1.74	7.34	1.75	
2.0+4.2		-15.0	3.32	1.29	3.24	1.30	3.15	1.32	3.11	1.32	3.07	1.33	2.99	1.34
		-11.0	3.86	1.34	3.78	1.35	3.70	1.37	3.66	1.37	3.61	1.38	3.53	1.40
		-8.0	4.27	1.38	4.19	1.39	4.10	1.41	4.06	1.41	4.02	1.42	3.94	1.44
		-6.0	4.54	1.40	4.46	1.42	4.37	1.43	4.33	1.44	4.29	1.45	4.21	1.46
		-1.0	5.22	1.47	5.13	1.48	5.05	1.50	5.01	1.51	4.97	1.51	4.89	1.53
	1.0	5.49	1.50	5.41	1.51	5.32	1.52	5.28	1.53	5.24	1.54	5.16	1.55	
	3.0	5.76	1.52	5.68	1.54	5.59	1.55	5.55	1.56	5.51	1.57	5.43	1.58	
	6.0	6.17	1.56	6.08	1.58	6.00	1.59	5.96	1.60	5.92	1.60	5.83	1.62	
	8.0	6.44	1.59	6.35	1.60	6.27	1.62	6.23	1.62	6.19	1.63	6.11	1.64	
	10.0	6.71	1.61	6.62	1.63	6.54	1.64	6.50	1.65	6.46	1.66	6.38	1.67	
	12.0	6.98	1.64	6.90	1.65	6.81	1.67	6.77	1.68	6.73	1.68	6.65	1.70	
	15.0	7.39	1.68	7.30	1.69	7.22	1.73	7.18	1.72	7.14	1.72	7.05	1.74	
	18.0	7.79	1.72	7.71	1.73	7.63	1.75	7.58	1.75	7.54	1.76	7.46	1.78	

Combination (Capacity)	outdoor air temp. °CWB	Indoor air temp.: °CDB												
		16°C		18°C		20°C		21°C		22°C		24°C		
		TC	PI	TC	PI	TC	PI	TC	PI	TC	PI	TC	PI	
2.0+5.0	-15.0	3.43	1.30	3.35	1.32	3.26	1.33	3.22	1.34	3.17	1.35	3.09	1.36	
	-11.0	3.99	1.36	3.91	1.37	3.82	1.38	3.78	1.39	3.73	1.40	3.65	1.41	
	-8.0	4.41	1.40	4.33	1.41	4.24	1.42	4.20	1.43	4.15	1.44	4.07	1.45	
	-6.0	4.69	1.42	4.61	1.44	4.52	1.45	4.48	1.46	4.43	1.47	4.35	1.48	
	-1.0	5.39	1.49	5.31	1.50	5.22	1.52	5.18	1.52	5.13	1.53	5.05	1.55	
	1.0	5.67	1.51	5.59	1.53	5.50	1.54	5.46	1.55	5.41	1.56	5.33	1.57	
	3.0	5.95	1.54	5.87	1.56	5.78	1.57	5.74	1.58	5.69	1.58	5.61	1.60	
	6.0	6.37	1.58	6.29	1.60	6.20	1.61	6.16	1.62	6.11	1.62	6.03	1.64	
	8.0	6.65	1.61	6.57	1.62	6.48	1.64	6.44	1.64	6.39	1.65	6.31	1.67	
	10.0	6.93	1.63	6.85	1.65	6.76	1.66	6.72	1.67	6.67	1.68	6.59	1.69	
	12.0	7.21	1.66	7.13	1.68	7.04	1.69	7.00	1.70	6.95	1.70	6.87	1.72	
	15.0	7.63	1.70	7.55	1.71	7.46	1.73	7.42	1.74	7.37	1.74	7.29	1.76	
	18.0	8.05	1.74	7.97	1.75	7.88	1.77	7.84	1.78	7.79	1.78	7.71	1.80	
	2.5+2.5	-15.0	3.21	1.25	3.13	1.27	3.05	1.28	3.01	1.29	2.97	1.30	2.89	1.31
		-11.0	3.73	1.31	3.65	1.32	3.57	1.33	3.53	1.34	3.49	1.35	3.41	1.36
		-8.0	4.13	1.34	4.05	1.36	3.97	1.37	3.93	1.38	3.89	1.39	3.81	1.40
		-6.0	4.39	1.37	4.31	1.38	4.23	1.40	4.19	1.40	4.15	1.41	4.07	1.42
		-1.0	5.04	1.43	4.96	1.45	4.88	1.46	4.84	1.47	4.80	1.48	4.72	1.49
1.0		5.31	1.46	5.23	1.47	5.15	1.49	5.11	1.49	5.06	1.50	4.98	1.51	
3.0		5.57	1.48	5.49	1.50	5.41	1.51	5.37	1.52	5.33	1.53	5.25	1.54	
6.0		5.96	1.52	5.88	1.54	5.80	1.55	5.76	1.56	5.72	1.56	5.64	1.58	
8.0		6.22	1.55	6.14	1.56	6.06	1.58	6.02	1.58	5.98	1.59	5.90	1.60	
10.0		6.48	1.57	6.40	1.59	6.32	1.60	6.28	1.61	6.24	1.62	6.16	1.63	
12.0		6.75	1.60	6.67	1.61	6.59	1.63	6.55	1.63	6.51	1.64	6.43	1.65	
15.0		7.14	1.64	7.06	1.65	6.98	1.66	6.94	1.67	6.90	1.68	6.82	1.69	
18.0		7.53	1.68	7.45	1.69	7.37	1.70	7.33	1.71	7.29	1.72	7.21	1.73	
2.5+3.5		-15.0	3.32	1.33	3.24	1.34	3.15	1.36	3.11	1.36	3.07	1.37	2.99	1.39
		-11.0	3.86	1.38	3.78	1.40	3.70	1.41	3.66	1.42	3.61	1.43	3.53	1.44
		-8.0	4.27	1.42	4.19	1.44	4.10	1.45	4.06	1.46	4.02	1.47	3.94	1.48
		-6.0	4.54	1.45	4.46	1.46	4.37	1.48	4.33	1.49	4.29	1.49	4.21	1.51
		-1.0	5.22	1.52	5.13	1.53	5.05	1.55	5.01	1.55	4.97	1.56	4.89	1.58
	1.0	5.49	1.54	5.41	1.56	5.32	1.57	5.28	1.58	5.24	1.59	5.16	1.60	
	3.0	5.76	1.57	5.68	1.58	5.59	1.60	5.55	1.61	5.51	1.61	5.43	1.63	
	6.0	6.17	1.61	6.08	1.63	6.0	1.64	5.96	1.65	5.92	1.65	5.83	1.67	
	8.0	6.44	1.64	6.35	1.65	6.27	1.67	6.23	1.67	6.19	1.68	6.11	1.70	
	10.0	6.71	1.66	6.62	1.68	6.54	1.69	6.50	1.70	6.46	1.71	6.38	1.72	
	12.0	6.98	1.69	6.90	1.71	6.81	1.72	6.77	1.73	6.73	1.74	6.65	1.75	
	15.0	7.39	1.73	7.30	1.75	7.22	1.76	7.18	1.77	7.14	1.78	7.05	1.79	
	18.0	7.79	1.77	7.71	1.79	7.63	1.80	7.58	1.81	7.54	1.82	7.46	1.83	

3D059196

SYMBOLS

TC: Total capacity (kW)
PI: Power input (kW)

NOTE

- Capacities are based on the following conditions.
Corresponding refrigerant piping length: 5m
Level difference: 0m
- The bold line **□** is indicated the standard condition.
- The above is the value for connecting with the following indoor units.
2.0, 2.5, 3.5, 4.2, 5.0 kW Class; wall mounted G series.

4 Capacity tables

4 - 3 Heating capacity tables

2MXS50G

★ Heating (50Hz 230V)

Combination (capacity)	Outdoor air temp. °CWB	Indoor air temp.: °CDB												
		16°C		18°C		20°C		21°C		22°C		24°C		
		TC kW	PI kW	TC kW	PI kW	TC kW	PI kW	TC kW	PI kW	TC kW	PI kW	TC kW	PI kW	
2.5+4.2	-15.0	3.38	1.34	3.29	1.36	3.21	1.37	3.16	1.38	3.12	1.39	3.04	1.40	
	-11.0	3.93	1.40	3.84	1.41	3.76	1.43	3.72	1.44	3.67	1.44	3.59	1.46	
	-8.0	4.34	1.44	4.26	1.45	4.17	1.47	4.13	1.48	4.09	1.48	4.00	1.50	
	-6.0	4.62	1.47	4.53	1.48	4.45	1.50	4.40	1.50	4.36	1.51	4.28	1.53	
	-1.0	5.30	1.53	5.22	1.55	5.14	1.56	5.09	1.57	5.05	1.58	4.97	1.59	
	1.0	5.58	1.56	5.50	1.58	5.41	1.59	5.37	1.60	5.33	1.61	5.24	1.62	
	3.0	5.86	1.59	5.77	1.60	5.69	1.62	5.64	1.63	5.60	1.63	5.52	1.65	
	6.0	6.27	1.63	6.18	1.65	6.10	1.66	6.06	1.67	6.02	1.67	5.93	1.69	
	8.0	6.54	1.66	6.46	1.67	6.38	1.69	6.33	1.69	6.29	1.70	6.21	1.72	
	10.0	6.82	1.68	6.74	1.70	6.65	1.71	6.61	1.72	6.57	1.73	6.48	1.74	
	12.0	7.10	1.71	7.01	1.73	6.93	1.74	6.88	1.75	6.84	1.76	6.76	1.77	
	15.0	7.51	1.75	7.42	1.77	7.34	1.78	7.30	1.79	7.26	1.80	7.17	1.81	
	18.0	7.92	1.79	7.84	1.81	7.75	1.82	7.71	1.83	7.64	1.83	7.52	1.83	
	2.5+5.0	-15.0	3.49	1.33	3.40	1.35	3.31	1.36	3.27	1.37	3.23	1.38	3.14	1.39
		-11.0	4.06	1.39	3.97	1.40	3.88	1.42	3.84	1.43	3.79	1.43	3.71	1.45
		-8.0	4.48	1.43	4.40	1.44	4.31	1.46	4.26	1.47	4.22	1.47	4.13	1.49
-6.0		4.77	1.46	4.68	1.47	4.59	1.49	4.55	1.49	4.51	1.50	4.42	1.52	
-1.0		5.48	1.53	5.39	1.54	5.30	1.55	5.26	1.56	5.22	1.57	5.13	1.58	
1.0		5.76	1.55	5.68	1.57	5.59	1.58	5.55	1.59	5.50	1.60	5.41	1.61	
3.0		6.05	1.58	5.96	1.59	5.87	1.61	5.83	1.62	5.79	1.62	5.70	1.64	
6.0		6.47	1.62	6.39	1.64	6.30	1.65	6.26	1.66	6.21	1.66	6.13	1.68	
8.0		6.76	1.65	6.67	1.66	6.58	1.68	6.54	1.68	6.50	1.69	6.41	1.71	
10.0		7.04	1.67	6.96	1.69	6.87	1.70	6.83	1.71	6.78	1.72	6.70	1.73	
12.0		7.33	1.70	7.24	1.72	7.15	1.73	7.11	1.74	7.07	1.75	6.98	1.76	
15.0		7.75	1.74	7.67	1.76	7.58	1.77	7.54	1.78	7.49	1.79	7.41	1.80	
18.0		8.18	1.78	8.09	1.80	8.01	1.81	7.96	1.82	7.92	1.83	7.80	1.83	
3.5+3.5		-15.0	3.38	1.33	3.29	1.35	3.21	1.36	3.16	1.37	3.12	1.38	3.04	1.39
		-11.0	3.93	1.39	3.84	1.40	3.76	1.42	3.72	1.43	3.67	1.43	3.59	1.45
		-8.0	4.34	1.43	4.26	1.44	4.17	1.46	4.13	1.47	4.09	1.47	4.00	1.49
	-6.0	4.62	1.46	4.53	1.47	4.45	1.49	4.40	1.49	4.36	1.50	4.28	1.52	
	-1.0	5.30	1.53	5.22	1.54	5.14	1.55	5.09	1.56	5.05	1.57	4.97	1.58	
	1.0	5.58	1.55	5.50	1.57	5.41	1.58	5.37	1.59	5.33	1.60	5.24	1.61	
	3.0	5.86	1.58	5.77	1.59	5.69	1.61	5.64	1.62	5.60	1.62	5.52	1.64	
	6.0	6.27	1.62	6.18	1.64	6.10	1.65	6.06	1.66	6.02	1.66	5.93	1.68	
	8.0	6.54	1.65	6.46	1.66	6.38	1.68	6.33	1.68	6.29	1.69	6.21	1.71	
	10.0	6.82	1.67	6.74	1.69	6.65	1.70	6.61	1.71	6.57	1.72	6.48	1.73	
	12.0	7.10	1.70	7.01	1.72	6.93	1.73	6.88	1.74	6.84	1.75	6.76	1.76	
	15.0	7.51	1.74	7.42	1.76	7.34	1.77	7.30	1.78	7.26	1.79	7.17	1.80	
	18.0	7.92	1.78	7.84	1.80	7.75	1.81	7.71	1.82	7.67	1.83	7.55	1.83	

Combination (Capacity)	Outdoor air temp. °CWB	Indoor air temp.: °CDB												
		16°C		18°C		20°C		21°C		22°C		24°C		
		TC kW	PI kW	TC kW	PI kW	TC kW	PI kW	TC kW	PI kW	TC kW	PI kW	TC kW	PI kW	
3.5+4.2	-15.0	3.43	1.34	3.35	1.36	3.26	1.37	3.22	1.38	3.17	1.39	3.09	1.40	
	-11.0	3.99	1.40	3.91	1.41	3.82	1.43	3.78	1.44	3.73	1.44	3.65	1.46	
	-8.0	4.41	1.44	4.33	1.45	4.24	1.47	4.20	1.48	4.15	1.48	4.07	1.50	
	-6.0	4.69	1.47	4.61	1.48	4.52	1.50	4.48	1.50	4.43	1.51	4.35	1.53	
	-1.0	5.39	1.53	5.31	1.55	5.22	1.56	5.18	1.57	5.13	1.58	5.05	1.59	
	1.0	5.67	1.56	5.59	1.58	5.50	1.59	5.46	1.60	5.41	1.61	5.33	1.62	
	3.0	5.95	1.59	5.87	1.60	5.78	1.62	5.74	1.63	5.69	1.63	5.61	1.65	
	6.0	6.37	1.63	6.29	1.65	6.20	1.66	6.16	1.67	6.11	1.67	6.03	1.69	
	8.0	6.65	1.66	6.57	1.67	6.48	1.69	6.44	1.69	6.39	1.70	6.31	1.72	
	10.0	6.93	1.68	6.85	1.70	6.76	1.71	6.72	1.72	6.67	1.73	6.59	1.74	
	12.0	7.21	1.71	7.13	1.73	7.04	1.74	7.00	1.75	6.95	1.76	6.87	1.77	
	15.0	7.63	1.75	7.55	1.77	7.46	1.78	7.42	1.79	7.37	1.80	7.29	1.81	
	18.0	8.05	1.79	7.97	1.81	7.88	1.82	7.84	1.83	7.77	1.83	7.64	1.83	
	3.5+5.0	-15.0	3.54	1.33	3.45	1.35	3.36	1.36	3.32	1.37	3.28	1.38	3.19	1.39
		-11.0	4.12	1.39	4.03	1.40	3.94	1.42	3.90	1.43	3.85	1.43	3.77	1.45
		-8.0	4.55	1.43	4.46	1.44	4.38	1.46	4.33	1.47	4.29	1.47	4.20	1.49
-6.0		4.84	1.46	4.75	1.47	4.67	1.49	4.62	1.49	4.58	1.49	4.49	1.52	
-1.0		5.56	1.53	5.48	1.54	5.39	1.55	5.34	1.56	5.30	1.57	5.21	1.58	
1.0		5.85	1.55	5.77	1.57	5.68	1.58	5.63	1.59	5.59	1.60	5.50	1.61	
3.0		6.14	1.58	6.05	1.59	5.97	1.61	5.92	1.62	5.88	1.62	5.79	1.64	
6.0		6.58	1.62	6.49	1.64	6.40	1.65	6.36	1.66	6.31	1.66	6.22	1.68	
8.0		6.87	1.65	6.78	1.66	6.69	1.68	6.64	1.68	6.60	1.69	6.51	1.71	
10.0		7.15	1.67	7.07	1.69	6.98	1.70	6.93	1.71	6.89	1.72	6.80	1.73	
12.0		7.44	1.70	7.36	1.72	7.27	1.73	7.22	1.74	7.18	1.75	7.09	1.76	
15.0		7.88	1.74	7.79	1.76	7.70	1.77	7.66	1.78	7.61	1.79	7.52	1.80	
18.0		8.31	1.78	8.22	1.80	8.13	1.81	8.09	1.82	8.05	1.83	7.92	1.83	
4.2+4.2		-15.0	3.49	1.36	3.40	1.37	3.31	1.39	3.27	1.40	3.23	1.40	3.14	1.42
		-11.0	4.06	1.41	3.97	1.43	3.88	1.44	3.84	1.45	3.79	1.46	3.71	1.48
		-8.0	4.48	1.46	4.40	1.47	4.31	1.49	4.26	1.49	4.22	1.50	4.13	1.52
	-6.0	4.77	1.48	4.68	1.50	4.59	1.51	4.55	1.52	4.51	1.53	4.42	1.54	
	-1.0	5.48	1.55	5.39	1.57	5.30	1.58	5.26	1.59	5.22	1.60	5.13	1.61	
	1.0	5.76	1.58	5.68	1.60	5.59	1.61	5.55	1.62	5.50	1.63	5.41	1.64	
	3.0	6.05	1.61	5.96	1.62	5.87	1.64	5.83	1.65	5.79	1.65	5.70	1.67	
	6.0	6.47	1.65	6.39	1.66	6.30	1.68	6.26	1.69	6.21	1.70	6.13	1.71	
	8.0	6.76	1.68	6.67	1.69	6.58	1.71	6.54	1.72	6.50	1.72	6.41	1.74	
	10.0	7.04	1.71	6.96	1.72	6.87	1.74	6.83	1.74	6.78	1.75	6.70	1.77	
	12.0	7.33	1.73	7.24	1.75	7.15	1.76	7.11	1.77	7.07	1.78	6.98	1.79	
	15.0	7.75	1.77	7.67	1.79	7.58	1.80	7.54	1.81	7.49	1.82	7.41	1.83	
	18.0	8.18	1.82	8.09	1.83	7.96	1.83	7.89	1.83	7.82	1.83	7.69	1.83	

3D059197

SYMBOLS

TC: Total capacity (kW)
PI: Power input (kW)

NOTE

- Capacities are based on the following conditions.
Corresponding refrigerant piping length: 5.0m
Level difference: 0m
- The bold line **□** is indicated the standard condition.
- The above is the value for connecting with the following indoor units.
2.0, 2.5, 3.5, 4.2, 5.0 kW Class; wall mounted G series.

4 Capacity tables

4 - 3 Heating capacity tables

3MXS68G

★ Heating (50Hz 230V)

Combination (Capacity)	indoor air temp. °CDB	Outdoor air temp.: °CWB													
		-15°C		-10°C		-5°C		0°C		6°C		10°C		15°C	
		TC	PI	TC	PI	TC	PI	TC	PI	TC	PI	TC	PI	TC	PI
2.0	16.0	2.17	1.03	2.62	1.08	3.06	1.13	3.51	1.18	4.04	1.25	4.39	1.29	4.84	1.34
	18.0	2.12	1.04	2.56	1.09	3.01	1.14	3.45	1.20	3.65	1.26	4.34	1.30	4.78	1.35
	20.0	2.07	1.05	2.51	1.10	2.95	1.15	3.40	1.21	3.93	1.27	4.29	1.31	4.73	1.36
	21.0	2.04	1.06	2.48	1.11	2.93	1.16	3.37	1.21	3.90	1.28	4.26	1.32	4.70	1.37
	22.0	2.01	1.06	2.46	1.11	2.90	1.17	3.34	1.22	3.88	1.28	4.23	1.32	4.67	1.38
	24.0	1.36	1.07	2.40	1.13	2.85	1.18	3.29	1.23	3.82	1.29	4.18	1.33	4.62	1.39
2.5	16.0	2.23	1.11	2.72	1.16	3.22	1.22	3.68	1.28	4.24	1.35	4.62	1.39	5.08	1.45
	18.0	2.23	1.12	2.69	1.18	3.16	1.23	3.63	1.29	4.19	1.36	4.56	1.40	5.03	1.46
	20.0	2.17	1.13	2.64	1.19	3.10	1.25	3.57	1.30	4.13	1.37	4.50	1.42	4.97	1.47
	21.0	2.14	1.14	2.61	1.20	3.08	1.25	3.54	1.31	4.10	1.38	4.47	1.42	4.94	1.48
	22.0	2.11	1.15	2.58	1.20	3.05	1.26	3.51	1.31	4.07	1.38	4.45	1.43	4.91	1.48
	24.0	2.06	1.16	2.53	1.21	2.99	1.27	3.46	1.33	4.02	1.39	4.39	1.41	4.80	1.47
3.5	16.0	2.50	1.30	3.01	1.37	3.52	1.44	4.08	1.50	4.64	1.58	5.05	1.63	5.56	1.70
	18.0	2.44	1.32	2.95	1.38	3.46	1.45	3.97	1.52	4.58	1.60	4.99	1.65	5.50	1.71
	20.0	2.38	1.33	2.89	1.40	3.40	1.46	3.91	1.53	4.52	1.61	4.93	1.66	5.44	1.73
	21.0	2.35	1.34	2.86	1.41	3.37	1.47	3.88	1.54	4.49	1.62	4.90	1.67	5.40	1.73
	22.0	2.31	1.35	2.82	1.41	3.33	1.48	3.85	1.54	4.46	1.62	4.87	1.68	5.25	1.68
	24.0	2.25	1.36	2.76	1.43	3.27	1.49	3.78	1.56	4.40	1.64	4.80	1.69	4.95	1.57
5.0	16.0	3.13	1.83	3.84	1.92	4.49	2.01	5.14	2.11	5.92	2.22	6.44	2.29	7.09	2.39
	18.0	3.11	1.85	3.76	1.94	4.41	2.03	5.06	2.13	5.84	2.24	6.36	2.31	6.88	2.32
	20.0	3.03	1.87	3.68	1.96	4.33	2.06	4.98	2.15	5.76	2.26	6.28	2.33	6.53	2.17
	21.0	2.99	1.88	3.64	1.97	4.29	2.07	4.94	2.16	5.72	2.27	6.24	2.34	6.35	2.09
	22.0	2.95	1.89	3.60	1.98	4.25	2.08	4.90	2.17	5.68	2.28	6.17	2.33	6.17	2.02
	24.0	2.87	1.91	3.52	2.00	4.17	2.10	4.80	2.19	5.60	2.30	5.82	2.16	5.82	1.87
6.0	16.0	4.74	2.20	5.71	2.31	6.68	2.42	7.65	2.54	8.81	2.67	9.58	2.67	10.18	2.67
	18.0	4.62	2.23	5.59	2.34	6.56	2.45	7.53	2.56	8.69	2.70	9.46	2.79	9.68	2.49
	20.0	4.51	2.25	5.47	2.36	6.44	2.47	7.41	2.59	8.57	2.72	9.18	2.71	9.18	2.32
	21.0	4.45	2.26	5.41	2.37	6.38	2.49	7.35	2.60	8.51	2.73	8.94	2.61	8.94	2.23
	22.0	4.39	2.27	5.36	2.39	6.32	2.50	7.29	2.61	8.45	2.74	8.69	2.51	8.69	2.15
	24.0	4.27	2.30	5.24	2.41	6.20	2.52	7.17	2.63	8.19	2.67	8.19	2.31	8.19	1.99
2.0+2.0	16.0	4.23	1.82	5.09	1.91	5.95	2.01	6.82	2.10	7.85	2.21	8.54	2.28	9.40	2.38
	18.0	4.12	1.84	4.98	1.93	5.85	2.03	6.71	2.12	7.75	2.23	8.44	2.30	9.30	2.40
	20.0	4.02	1.86	4.88	1.95	5.74	2.05	6.60	2.14	7.64	2.25	8.33	2.32	9.19	2.42
	21.0	3.96	1.87	4.83	1.96	5.69	2.06	6.55	2.15	7.59	2.26	8.28	2.33	9.14	2.43
	22.0	3.91	1.88	4.77	1.97	5.64	2.07	6.50	2.16	7.53	2.27	8.22	2.34	9.09	2.44
	24.0	3.81	1.90	4.67	1.99	5.53	2.09	6.39	2.18	7.43	2.29	8.12	2.36	8.98	2.46
2.0+2.5	16.0	4.32	1.89	5.20	1.98	6.09	2.08	6.97	2.17	8.03	2.29	8.73	2.36	9.61	2.46
	18.0	4.21	1.91	5.10	2.00	5.98	2.10	6.86	2.19	7.92	2.31	8.62	2.39	9.51	2.48
	20.0	4.11	1.93	4.99	2.02	5.87	2.12	6.75	2.21	9.61	2.33	8.52	2.41	9.40	2.50
	21.0	4.05	1.94	4.93	2.03	5.82	2.18	6.70	2.23	7.76	2.34	8.46	2.42	9.34	2.51
	22.0	4.00	1.95	4.88	2.04	5.76	2.14	6.64	2.24	7.70	2.35	8.41	2.43	9.29	2.52
	24.0	3.89	1.97	4.77	2.06	5.65	2.16	6.54	2.26	7.59	2.37	8.30	2.45	9.18	2.54

Combination (Capacity)	indoor air temp. °CDB	Outdoor air temp.: °CWB													
		-15°C		-10°C		-5°C		0°C		6°C		10°C		15°C	
		TC	PI	TC	PI	TC	PI	TC	PI	TC	PI	TC	PI	TC	PI
2.0+3.5	16.0	4.62	2.14	5.56	2.24	6.50	2.35	7.44	2.46	8.57	2.59	9.82	2.68	10.27	2.79
	18.0	4.50	2.16	5.44	2.27	6.38	2.38	7.33	2.49	8.46	2.62	9.21	2.70	10.15	2.81
	20.0	4.38	2.18	5.33	2.29	6.27	2.40	7.21	2.51	8.34	2.64	9.09	2.73	10.04	2.84
	21.0	4.33	2.20	5.27	2.30	6.21	2.41	7.15	2.52	8.28	2.65	9.04	2.74	9.98	2.85
	22.0	4.27	2.21	5.21	2.32	6.15	2.42	7.09	2.53	8.22	2.66	8.98	2.75	9.92	2.86
	24.0	4.15	2.23	5.10	2.34	6.04	2.45	6.98	2.56	8.11	2.69	8.86	2.77	9.75	2.85
2.0+5.0	16.0	5.62	2.64	6.76	2.77	7.61	2.91	9.05	3.04	10.43	3.20	11.35	3.31	12.49	3.44
	18.0	5.48	2.67	6.62	2.80	7.77	2.94	8.91	3.07	10.29	3.23	11.21	3.34	12.35	3.47
	20.0	5.34	2.70	6.48	2.83	7.62	2.96	8.77	3.10	10.15	3.26	11.07	3.37	11.91	3.30
	21.0	5.27	2.71	6.41	2.85	7.56	2.98	8.70	3.11	10.08	3.27	11.00	3.38	11.59	3.16
	22.0	5.20	2.73	6.34	2.86	7.49	2.99	8.63	3.13	10.01	3.29	10.93	3.40	11.26	3.02
	24.0	5.06	2.75	6.20	2.89	7.35	3.02	8.49	3.16	9.87	3.32	10.65	3.31	10.62	2.75
2.0+6.0	16.0	5.72	2.41	6.89	2.58	8.06	2.66	9.22	2.78	10.63	2.9	11.56	3.02	12.73	3.15
	18.0	5.58	2.44	6.75	2.56	7.91	2.68	9.08	2.81	10.48	2.95	11.43	3.05	12.58	3.17
	20.0	5.44	2.46	6.60	2.59	7.77	2.71	8.94	2.83	10.34	2.97	11.27	3.08	12.44	3.20
	21.0	5.36	2.48	6.53	2.60	7.70	2.72	8.87	2.85	10.27	2.99	11.20	3.09	12.37	3.21
	22.0	5.29	2.49	6.46	2.61	7.63	2.74	8.80	2.86	10.20	3.01	11.13	3.11	12.30	3.23
	24.0	5.15	2.52	6.32	2.64	7.49	2.76	8.65	2.89	10.05	3.03	10.99	3.13	12.16	3.25
2.5+2.5	16.0	4.52	2.07	5.44	2.18	6.36	2.28	7.28	2.39	8.39	2.51	9.12	2.60	10.04	2.70
	18.0	4.40	2.09	5.32	2.20	6.25	2.31	7.17	2.41	8.27	2.54	9.01	2.62	9.93	2.73
	20.0	4.29	2.12	5.21	2.22	6.13	2.33	7.05	2.43	8.16	2.56	8.90	2.64	9.82	2.75
	21.0	4.23	2.13	5.16	2.23	6.08	2.34	7.00	2.45	8.10	2.57	8.84	2.66	9.76	2.76
	22.0	4.18	2.14	5.10	2.25	6.02	2.35	6.94	2.46	8.05	2.58	8.78	2.67	9.71	2.77
	24.0	4.06	2.16	4.99	2.27	5.91	2.37	6.83	2.48	7.93	2.61	8.67	2.69	9.59	2.80
2.5+3.5	16.0	4.80	2.34	5.78	2.46	6.76	2.58	7.74	2.70	8.92	2.84	9.70	2.9	10.68	3.05
	18.0	4.68	2.36	5.66	2.48	6.64	2.60	7.62	2.72	8.80	2.86	9.58	2.93	10.56	3.08
	20.0	4.56	2.39	5.54	2.51	6.52	2.63	7.50	2.75	8.68	2.89	9.46	2.99	10.44	3.10
	21.0	4.50	2.40	5.48	2.52	6.46	2.64	7.44	2.76	8.62	2.90	9.40	3.00	10.38	3.12
	22.0	4.44	2.42	5.42	2.54	6.40	2.65	7.38	2.77	8.56	2.92	9.34	3.01	10.32	3.13
	24.0	4.32	2.44	5.30	2.56	6.28	2.68	7.26	2.80</						

4 Capacity tables

4 - 3 Heating capacity tables

3MXS68G

★ Heating (50Hz 230V)

Combination (Capacity)	Indoor air temp. °CDB	Outdoor air temp.: °CWB													
		-15°C		-10°C		-5°C		0°C		6°C		10°C		15°C	
		TC	PI	TC	PI	TC	PI	TC	PI	TC	PI	TC	PI	TC	PI
3.5+3.5	16.0	4.99	2.52	6.01	2.64	7.03	2.77	8.05	2.90	9.27	3.05	10.08	3.16	11.10	3.28
	18.0	4.87	2.54	5.89	2.67	6.90	2.80	7.92	2.9	9.14	3.08	9.96	3.18	10.98	3.31
	20.0	4.74	2.57	5.76	2.70	6.78	2.83	7.80	2.93	9.02	3.11	9.83	3.21	10.85	3.34
	21.0	4.68	2.59	5.70	2.71	6.72	2.84	7.74	2.97	8.96	3.12	9.77	3.23	10.79	3.35
	22.0	4.62	2.60	5.64	2.73	6.65	2.86	7.67	2.98	8.90	3.14	9.71	3.24	10.51	3.21
	24.0	4.49	2.63	5.51	2.76	6.53	2.88	7.55	3.01	8.77	3.17	9.59	3.27	9.90	2.92
3.5+5.0	16.0	5.80	2.75	6.98	2.89	8.17	3.03	9.35	3.17	10.77	3.34	11.72	3.45	12.90	3.59
	18.0	5.65	2.78	6.84	2.92	8.02	3.06	9.20	3.20	10.62	3.37	11.57	3.48	12.73	3.61
	20.0	5.51	2.81	6.69	2.95	7.88	3.09	9.06	3.23	10.48	3.40	11.43	3.51	12.08	3.30
	21.0	5.44	2.83	6.62	2.97	7.80	3.11	8.99	3.25	10.41	3.42	11.35	3.53	11.75	3.16
	22.0	5.37	2.84	6.55	2.98	7.73	3.12	8.92	3.26	10.34	3.43	11.28	3.54	11.43	3.02
	24.0	5.22	2.87	6.40	3.01	7.59	3.15	8.77	3.29	10.19	3.46	10.77	3.31	10.77	2.75
3.5+6.0	16.0	5.86	2.43	7.06	2.55	8.25	2.67	9.45	2.80	10.88	2.95	11.84	3.04	12.03	3.17
	18.0	5.71	2.45	6.91	2.58	8.11	2.70	9.80	2.82	10.74	2.97	11.69	3.07	12.89	3.20
	20.0	5.57	2.48	6.76	2.60	7.96	2.73	9.16	2.85	10.59	3.00	11.55	3.10	12.74	3.22
	21.0	5.49	2.49	6.69	2.62	7.89	2.74	9.08	2.87	10.52	3.01	11.47	3.11	12.67	3.24
	22.0	5.42	2.51	6.62	2.63	7.81	2.78	9.01	2.88	10.44	3.03	11.40	3.13	12.60	3.25
	24.0	5.28	2.54	6.47	2.66	7.67	2.78	8.86	2.91	10.30	3.05	11.25	3.15	12.45	3.28
5.0+5.0	16.0	5.90	2.60	7.11	2.73	8.31	2.86	9.52	2.99	10.96	3.15	11.93	3.25	13.13	3.39
	18.0	5.76	2.63	6.96	2.76	8.17	2.89	9.37	3.02	10.82	3.18	11.78	3.29	12.99	3.42
	20.0	5.61	2.65	6.81	2.79	8.02	2.92	9.22	3.05	10.67	3.21	11.63	3.32	12.84	3.45
	21.0	5.54	2.67	6.74	2.80	7.95	2.93	9.15	3.07	10.60	3.22	11.56	3.33	12.70	3.42
	22.0	5.46	2.68	6.67	2.82	7.87	2.95	9.08	3.08	10.52	3.24	11.49	3.34	12.35	3.26
	24.0	5.32	2.71	6.52	2.84	7.72	2.98	8.93	3.11	10.38	3.27	11.34	3.37	11.64	2.97
5.0+6.0	16.0	5.90	2.39	7.10	2.52	8.31	2.64	9.51	2.76	10.95	2.91	11.92	3.00	13.12	3.13
	18.0	5.75	2.42	6.96	2.54	8.16	2.67	9.36	2.79	10.81	2.9	11.77	3.03	12.97	3.15
	20.0	5.60	2.45	6.81	2.57	8.01	2.69	9.22	2.91	10.66	2.96	11.62	3.06	12.83	3.18
	21.0	5.53	2.46	6.73	2.58	7.94	2.71	9.14	2.83	10.59	2.97	11.55	3.07	12.75	3.19
	22.0	5.46	2.47	6.66	2.60	7.86	2.72	9.07	2.84	10.51	2.99	11.48	3.08	12.68	3.21
	24.0	5.31	2.50	6.51	2.62	7.72	2.75	8.92	2.87	10.87	3.01	11.33	3.11	12.58	3.23
2.0+2.0+2.0	16.0	5.56	2.18	6.89	2.30	7.82	2.41	8.96	2.52	10.32	2.65	11.22	2.74	12.36	2.85
	18.0	5.42	2.21	6.55	2.32	7.68	2.43	8.82	2.54	10.18	2.68	11.09	2.76	12.22	2.88
	20.0	5.28	2.23	6.41	2.34	7.55	2.46	8.68	2.57	10.01	2.70	10.95	2.79	12.08	2.90
	21.0	5.21	2.25	6.34	2.36	7.48	2.47	8.61	2.58	9.97	2.71	10.88	2.80	12.01	2.91
	22.0	5.14	2.26	6.27	2.37	7.41	2.48	8.54	2.59	9.90	2.72	10.81	2.81	11.94	2.91
	24.0	5.00	2.28	6.13	2.39	7.27	2.50	8.40	2.62	9.76	2.75	10.67	2.84	11.80	2.95
2.0+2.0+2.5	16.0	5.60	2.22	6.74	2.33	7.89	2.11	9.03	2.56	10.40	2.69	11.31	2.78	12.46	2.89
	18.0	5.46	2.24	6.60	2.35	7.75	2.47	8.89	2.58	10.26	2.72	11.17	2.81	12.32	2.92
	20.0	5.32	2.27	6.46	2.38	7.61	2.49	8.75	2.60	10.12	2.74	11.03	2.83	12.18	2.94
	21.0	5.25	2.28	6.39	2.39	7.54	2.50	8.68	2.62	10.05	2.75	10.96	2.84	12.11	2.96
	22.0	5.18	2.29	6.32	2.40	7.47	2.52	8.61	2.63	9.98	2.76	10.89	2.85	12.04	2.97
	24.0	5.04	2.32	6.18	2.43	7.33	2.54	8.47	2.65	9.84	2.79	10.75	2.88	11.90	2.99

Combination (Capacity)	Indoor air temp. °CDB	Outdoor air temp.: °CWB													
		-15°C		-10°C		-5°C		0°C		6°C		10°C		15°C	
		TC	PI	TC	PI	TC	PI	TC	PI	TC	PI	TC	PI	TC	PI
2.0+2.0+3.5	16.0	5.66	2.33	6.81	2.45	7.96	2.57	9.12	2.69	10.50	2.83	11.43	2.92	12.58	3.04
	18.0	5.51	2.36	6.67	2.47	7.82	2.59	8.98	2.71	10.36	2.85	11.28	2.95	12.44	3.07
	20.0	5.37	2.38	6.53	2.50	7.68	2.62	8.84	2.74	10.22	2.88	11.14	2.97	12.30	3.09
	21.0	5.30	2.39	6.46	2.51	7.61	2.63	8.76	2.75	10.15	2.89	11.07	2.99	12.23	3.11
	22.0	5.23	2.41	6.39	2.53	7.54	2.65	8.69	2.76	10.08	2.91	11.00	3.00	12.16	3.12
	24.0	5.09	2.43	6.24	2.55	7.40	2.67	8.55	2.79	9.94	2.93	10.83	3.03	12.02	3.15
2.0+2.0+5.0	16.0	5.75	2.39	6.93	2.52	9.10	2.64	9.28	2.76	10.69	2.91	11.63	3.00	12.80	3.13
	18.0	5.61	2.42	6.79	2.54	7.96	2.67	9.13	2.79	10.54	2.9	11.48	3.03	12.66	3.15
	20.0	5.47	2.45	6.64	2.57	7.82	2.69	8.99	2.81	10.40	2.96	11.34	3.06	12.51	3.18
	21.0	5.40	2.46	6.57	2.58	7.74	2.71	8.92	2.83	10.33	2.97	11.27	3.07	12.44	3.19
	22.0	5.32	2.47	6.50	2.60	7.67	2.72	8.85	2.84	10.26	2.99	11.20	3.08	12.37	3.21
	24.0	5.18	2.50	6.35	2.62	7.53	2.75	8.70	2.87	10.11	3.01	11.05	3.11	12.23	3.23
2.0+2.0+6.0	16.0	5.83	2.16	7.02	2.27	8.20	2.38	9.39	2.49	10.82	2.62	11.77	2.71	12.96	2.82
	18.0	5.68	2.18	6.87	2.29	8.06	2.40	9.25	2.51	10.68	2.65	11.63	2.73	12.82	2.84
	20.0	5.54	2.21	6.73	2.32	7.91	2.43	9.10	2.54	10.53	2.67	11.48	2.76	12.67	2.87
	21.0	5.46	2.22	6.65	2.33	7.84	2.44	9.03	2.55	10.46	2.68	11.41	2.77	12.60	2.88
	22.0	5.39	2.23	6.58	2.34	7.77	2.45	8.96	2.56	10.38	2.69	11.34	2.78	12.52	2.89
	24.0	5.25	2.26	6.43	2.37	7.62	2.48	8.81	2.59	10.24	2.72	11.19	2.81	12.38	2.92
2.0+2.5+2.5	16.0	5.61	2.30	6.75	2.41	7.89	2.53	9.04	2.65	10.41	2.79	11.32	2.88	12.47	3.00
	18.0	5.47	2.32	6.61	2.44	7.75	2.56	8.90	2.67	10.27	2.81	11.18	2.91	12.33	3.02
	20.0	5.33	2.35	6.47	2.47	7.61	2.58	8.76	2.70	10.13	2.84	11.05	2.93	12.19	3.05
	21.0	5.26	2.36	6.40	2.48	7.54	2.60	8.69	2.71	10.06	2.85	10.98	2.95	12.12	3.06
	22.0	5.19	2.37	6.33	2.49	7.47	2.61	8.62	2.73	9.99	2.87	10.91	2.93	12.05	3.08
	24.0	5.05	2.40	6.19	2.52	7.33	2.63	8.48	2.75	9.85	2.89	10.77	2.98	11.91	3.10
2.0+2.5+3.5	16.0	5.66	2.33	6.81	2.45	7.96	2.57	9.12	2.69	10.50	2.83	11.43	2.92	12.58	3.04
	18.0	5.51	2.36	6.67	2.47	7.82	2.59	8.98	2.71	10.36	2.85	11.28	2.95	12.44	3.07
	20.0	5.37	2.38	6.53	2.50	7.68	2.62	8.84	2.74	10.22	2.88	11.14	2.97	12.30	3.09
	21.0	5.30	2.39	6.46	2.51	7.61	2.63	8.76	2.75	10.15	2.89	11.07	2.99	12.23	3.11
	22.0	5.23	2.41	6.39											

4 Capacity tables

4 - 3 Heating capacity tables

3MXS68G

★ Heating (50Hz 230V)

Combination (Capacity)	indoor air temp. °CDB	Outdoor air temp.: °CWB															
		-15°C		-10°C		-5°C		0°C		6°C		10°C		15°C			
		TC	PI	TC	PI	TC	PI	TC	PI	TC	PI	TC	PI	TC	PI		
2.0+3.5+3.5	16.0	5.73	2.37	6.90	2.49	8.06	2.61	9.23	2.73	10.54	2.88	11.57	2.97	12.74	3.09		
	18.0	5.58	2.40	6.75	2.52	7.92	2.64	9.09	2.76	10.49	2.90	11.43	3.00	12.60	3.12		
	20.0	5.44	2.42	6.61	2.54	7.78	2.66	8.95	2.79	10.35	2.93	11.28	3.03	12.45	3.15		
	21.0	5.37	2.44	6.54	2.56	7.71	2.68	8.88	2.80	10.28	2.94	11.21	3.04	12.38	3.16		
	22.0	5.30	2.45	6.47	2.57	7.64	2.69	8.80	2.81	10.21	2.96	11.14	3.05	12.31	3.17		
	24.0	5.16	2.48	6.32	2.60	7.49	2.72	8.66	2.84	10.06	2.98	11.00	3.08	12.17	3.20		
	2.0+3.5+5.0	16.0	5.91	2.48	7.12	2.60	8.32	2.73	9.53	2.85	10.97	3.00	11.94	3.11	13.15	3.23	
18.0	5.76	2.50	6.97	2.63	8.17	2.76	9.38	2.88	10.83	3.03	11.79	3.13	13.00	3.26			
20.0	5.61	2.53	6.82	2.66	8.03	2.78	9.23	2.91	10.68	3.06	11.64	3.16	12.85	3.29			
21.0	5.54	2.54	6.75	2.67	7.95	2.80	9.16	2.92	10.61	3.07	11.57	3.17	12.78	3.30			
22.0	5.47	2.56	6.67	2.68	7.88	2.81	9.09	2.94	10.53	3.09	11.50	3.19	12.70	3.31			
24.0	5.32	2.59	6.53	2.71	7.73	2.84	8.94	2.96	10.39	3.12	11.35	3.22	12.56	3.34			
2.5+2.5+2.5	16.0	5.67	2.32	6.82	2.44	7.98	2.56	9.14	2.68	10.52	2.82	11.45	2.91	12.60	3.03		
	18.0	5.53	2.35	6.68	2.47	7.84	2.58	8.99	2.70	10.38	2.84	11.31	2.94	12.46	3.06		
	20.0	5.38	2.37	6.54	2.49	7.70	2.61	8.85	2.73	10.24	2.87	11.17	2.96	12.32	3.08		
	21.0	5.31	2.39	6.47	2.50	7.63	2.62	8.78	2.74	10.17	2.88	11.09	2.98	12.25	3.10		
	22.0	5.24	2.40	6.40	2.52	7.55	2.64	8.71	2.75	10.10	2.90	11.02	2.99	12.18	3.11		
	24.0	5.10	2.43	6.26	2.54	7.41	2.66	8.57	2.78	9.96	2.92	10.88	3.02	12.04	3.13		
	2.5+2.5+3.5	16.0	5.78	2.39	6.96	2.52	8.14	2.64	9.32	2.76	10.74	2.91	11.68	3.00	12.86	3.13	
18.0	5.64	2.42	6.82	2.54	8.00	2.67	9.18	2.79	10.59	2.93	11.54	3.03	12.72	3.15			
20.0	5.49	2.45	6.67	2.57	7.85	2.69	9.03	2.81	10.45	2.96	11.39	3.06	12.57	3.18			
21.0	5.42	2.46	6.60	2.58	7.78	2.71	8.96	2.83	10.38	2.97	11.32	3.07	12.50	3.19			
22.0	5.35	2.47	6.53	2.60	7.71	2.72	8.89	2.84	10.31	2.99	11.25	3.08	12.43	3.21			
24.0	5.21	2.50	6.39	2.62	7.57	2.75	8.75	2.87	10.16	3.01	11.11	3.11	12.29	3.23			
2.5+2.5+5.0	16.0	5.89	2.44	7.09	2.57	8.29	2.69	9.49	2.82	10.93	2.97	11.89	3.07	13.10	3.19		
	18.0	5.74	2.47	6.94	2.59	8.14	2.72	9.35	2.84	10.79	2.99	11.75	3.09	12.95	3.22		
	20.0	5.59	2.50	6.80	2.62	8.00	2.75	9.20	2.87	10.64	3.02	11.60	3.12	12.80	3.24		
	21.0	5.52	2.51	6.72	2.64	7.92	2.76	9.12	2.88	10.57	3.03	11.53	3.13	12.73	3.26		
	22.0	5.45	2.52	6.65	2.65	7.85	2.77	9.05	2.90	10.49	3.05	11.45	3.15	12.66	3.27		
	24.0	5.30	2.55	6.50	2.68	7.70	2.80	8.90	2.93	10.35	3.07	11.31	3.17	12.51	3.30		
	2.5+2.5+6.0	16.0	5.75	2.14	7.10	2.24	8.30	2.35	9.50	2.46	10.94	2.59	11.91	2.68	13.11	2.79	
18.0	5.60	2.16	6.95	2.27	8.15	2.38	9.35	2.49	10.80	2.62	11.76	2.70	12.96	2.81			
20.0	5.45	2.18	6.80	2.29	8.00	2.40	9.21	2.51	10.65	2.64	11.61	2.73	12.81	2.84			
21.0	5.33	2.20	6.73	2.30	7.93	2.41	9.13	2.52	10.58	2.65	11.54	2.74	12.74	2.85			
22.0	5.24	2.21	6.65	2.32	7.86	2.42	9.06	2.53	10.50	2.66	11.47	2.75	12.67	2.86			
24.0	5.11	2.23	6.51	2.34	7.71	2.45	8.91	2.56	10.36	2.69	11.32	2.77	12.52	2.88			
2.5+3.5+3.5	16.0	5.85	2.39	7.05	2.52	8.24	2.64	9.44	2.76	10.87	2.91	11.83	3.00	13.02	3.13		
	18.0	5.71	2.42	6.90	2.54	8.10	2.67	9.29	2.79	10.73	2.93	11.68	3.03	12.88	3.15		
	20.0	5.56	2.45	6.76	2.57	7.95	2.69	9.15	2.81	10.58	2.96	11.54	3.06	12.73	3.18		
	21.0	5.49	2.46	6.68	2.58	7.88	2.71	9.07	2.82	10.51	2.97	11.46	3.07	12.66	3.19		
	22.0	5.42	2.47	6.61	2.60	7.81	2.72	9.00	2.84	10.43	2.99	11.39	3.08	12.58	3.21		
	24.0	5.27	2.50	6.46	2.62	7.66	2.75	8.85	2.87	10.29	3.01	11.24	3.11	12.44	3.23		

Combination (Capacity)	indoor air temp. °CDB	Outdoor air temp.: °CWB															
		-15°C		-10°C		-5°C		0°C		6°C		10°C		15°C			
		TC	PI	TC	PI	TC	PI	TC	PI	TC	PI	TC	PI	TC	PI		
2.5+3.5+5.0	16.0	5.89	2.41	7.10	2.53	8.30	2.66	9.50	2.78	10.94	2.93	11.91	3.02	13.11	3.15		
	18.0	5.74	2.44	6.94	2.56	8.15	2.68	9.35	2.81	10.80	2.95	11.76	3.05	12.96	3.17		
	20.0	5.60	2.46	6.80	2.59	8.00	2.71	9.21	2.83	10.65	2.98	11.61	3.08	12.81	3.20		
	21.0	5.53	2.48	6.73	2.60	7.93	2.72	9.13	2.85	10.58	2.99	11.54	3.09	12.74	3.21		
	22.0	5.45	2.49	6.65	2.61	7.86	2.74	9.06	2.86	10.50	3.01	11.47	3.11	12.67	3.23		
	24.0	5.31	2.52	6.51	2.64	7.71	2.76	8.91	2.89	10.36	3.03	11.32	3.13	12.52	3.25		
	3.5+3.5+3.5	16.0	5.88	2.45	7.08	2.58	8.28	2.70	9.48	2.83	10.92	2.98	11.88	3.08	13.08	3.20	
18.0	5.74	2.48	6.94	2.60	8.14	2.73	9.34	2.85	10.78	3.00	11.74	3.10	12.94	3.23			
20.0	5.59	2.51	6.79	2.63	7.99	2.76	9.19	2.88	10.63	3.03	11.59	3.13	12.79	3.25			
21.0	5.52	2.52	6.72	2.64	7.92	2.77	9.12	2.89	10.56	3.04	11.52	3.14	12.72	3.27			
22.0	5.44	2.53	6.64	2.66	7.84	2.78	9.04	2.91	10.48	3.06	11.44	3.16	12.64	3.28			
24.0	5.30	2.56	6.50	2.69	7.70	2.81	8.90	2.93	10.34	3.08	11.30	3.18	12.50	3.31			

3D059169

SYMBOLS

TC: Total capacity (kW)
PI: Power input (kW)

NOTE

- Capacities are based on the following conditions.
Corresponding refrigerant piping length: 5m
Level difference: 0m
- The bold line **□** is indicated the standard condition.
- The above is the value for connecting with the following indoor units.
2.0, 2.5, 3.5, 5.0 kW Class; wall mounted D series
6.0 kW class; wall mounted F series

4 Capacity tables

4 - 3 Heating capacity tables

3MXS68G

★ Heating (50Hz 230V)

Combination (Capacity)	Indoor air temp. °CDB	Outdoor air temp.: °CWB													
		-15°C		-10°C		-5°C		0°C		6°C		10°C		15°C	
		TC kW	PI kW	TC kW	PI kW	TC kW	PI kW	TC kW	PI kW	TC kW	PI kW	TC kW	PI kW	TC kW	PI kW
2.0	16.0	2.17	1.03	2.62	1.08	3.06	1.13	3.51	1.18	4.04	1.25	4.39	1.29	4.84	1.34
	18.0	2.12	1.04	2.56	1.09	3.01	1.14	3.45	1.20	3.98	1.26	4.34	1.30	4.78	1.35
	20.0	2.07	1.05	2.51	1.10	2.95	1.15	3.40	1.21	3.93	1.27	4.29	1.31	4.73	1.36
	21.0	2.04	1.06	2.48	1.11	2.93	1.16	3.37	1.21	3.90	1.28	4.26	1.32	4.70	1.37
	22.0	2.01	1.06	2.46	1.11	2.90	1.17	3.4	1.22	3.88	1.28	4.23	1.32	4.67	1.38
	24.0	1.96	1.07	2.40	1.13	2.85	1.18	3.29	1.23	3.82	1.29	4.18	1.33	4.62	1.39
2.5	16.0	2.29	1.11	2.75	1.16	3.22	1.22	3.68	1.28	4.24	1.35	4.62	1.39	5.08	1.45
	18.0	2.23	1.12	2.69	1.18	3.16	1.23	3.63	1.29	4.19	1.36	4.56	1.40	5.03	1.46
	20.0	2.17	1.13	2.64	1.19	3.10	1.25	3.57	1.30	4.13	1.37	4.50	1.42	4.97	1.47
	21.0	2.14	1.14	2.61	1.20	3.08	1.25	3.54	1.31	4.10	1.38	4.47	1.42	4.94	1.48
	22.0	2.11	1.15	2.58	1.20	3.05	1.26	3.51	1.31	4.07	1.38	4.45	1.43	4.91	1.48
	24.0	2.06	1.16	2.52	1.21	2.99	1.27	3.46	1.33	4.02	1.39	4.39	1.44	4.80	1.47
3.5	16.0	2.50	1.30	3.01	1.37	3.52	1.44	4.03	1.50	4.64	1.58	5.05	1.63	5.56	1.70
	18.0	2.44	1.32	2.95	1.38	3.46	1.45	3.97	1.52	4.58	1.60	4.99	1.65	5.50	1.71
	20.0	2.38	1.33	2.89	1.40	3.40	1.46	3.91	1.53	4.52	1.61	4.93	1.66	5.44	1.73
	21.0	2.35	1.34	2.86	1.41	3.37	1.47	3.88	1.54	4.49	1.62	4.90	1.67	5.40	1.73
	22.0	2.31	1.35	2.82	1.41	3.33	1.48	3.85	1.54	4.46	1.62	4.87	1.68	5.25	1.68
	24.0	2.25	1.36	2.76	1.43	3.27	1.49	3.78	1.56	4.40	1.64	4.80	1.69	4.95	1.57
5.0	16.0	3.16	1.59	3.80	1.67	4.45	1.75	5.09	1.83	5.87	1.92	6.38	1.99	7.03	2.07
	18.0	3.08	1.60	3.73	1.68	4.37	1.76	5.02	1.85	5.79	1.94	6.30	2.01	6.88	2.05
	6.88	3.00	1.62	3.65	1.70	4.29	1.78	4.94	1.86	5.71	1.96	6.23	2.02	6.53	1.92
	21.0	2.96	1.63	3.61	1.71	4.25	1.79	4.90	1.87	5.687	1.97	6.19	2.03	6.35	1.86
	22.0	2.92	1.64	3.57	1.72	4.21	1.80	4.86	1.88	5.63	1.98	6.15	2.04	6.17	1.80
	24.0	2.84	1.66	3.49	1.74	4.13	1.82	4.78	1.90	5.55	2.00	5.82	1.91	5.82	1.67
6.0	16.0	4.74	2.20	5.71	2.31	6.68	2.42	7.65	2.54	8.81	2.67	9.58	2.76	10.18	2.67
	18.0	4.62	2.23	5.59	2.34	6.56	2.45	7.53	2.56	8.69	2.70	9.46	2.79	9.68	2.49
	20.0	4.51	2.25	5.47	2.36	6.44	2.47	7.41	2.59	8.57	2.72	9.18	2.71	9.18	2.18
	21.0	4.45	2.26	5.41	2.34	6.38	2.49	7.35	2.60	8.51	2.73	8.94	2.61	8.94	2.23
	22.0	4.39	2.27	5.36	2.39	6.32	2.50	7.29	2.61	8.45	2.74	8.69	2.51	8.69	2.15
	24.0	4.27	2.30	5.24	2.41	6.20	2.52	7.17	2.63	8.19	2.67	8.19	2.31	8.19	1.99
2.0+2.0	16.0	4.23	1.82	5.09	1.91	5.95	2.01	6.82	2.10	7.85	2.21	8.54	2.28	9.40	2.38
	18.0	4.12	1.84	4.98	1.93	5.85	2.03	6.71	2.12	7.75	2.23	8.44	2.30	9.30	2.40
	20.0	4.02	1.86	4.88	1.95	5.74	2.05	6.60	2.11	7.64	2.25	8.33	2.32	9.19	2.42
	21.0	3.96	1.87	4.83	1.96	5.69	2.06	6.55	2.15	7.59	2.26	8.28	2.33	9.14	2.43
	22.0	3.91	1.88	4.77	1.97	5.64	2.07	6.50	2.16	7.53	2.27	8.22	2.34	9.09	2.44
	24.0	3.81	1.90	4.67	1.99	5.53	2.09	6.39	2.18	7.43	2.29	8.12	2.36	8.98	2.46
2.0+2.5	16.0	4.32	1.89	5.20	1.98	6.09	2.08	6.97	2.17	8.03	2.29	8.73	2.36	9.61	2.46
	18.0	4.21	1.91	5.10	2.00	5.98	2.10	6.86	2.19	7.92	2.31	8.62	2.39	9.51	2.48
	20.0	4.11	1.93	4.99	2.02	5.87	2.12	6.75	2.21	7.81	2.33	8.52	2.41	9.40	2.50
	21.0	4.05	1.94	4.93	2.03	5.82	2.13	6.70	2.23	7.76	2.34	8.46	2.42	9.34	2.51
	22.0	4.00	1.95	4.88	2.04	5.76	2.14	6.64	2.24	7.70	2.35	8.41	2.43	9.29	2.52
	24.0	3.89	1.97	4.77	2.06	45.65	2.16	6.54	2.26	7.59	2.37	8.30	2.45	9.18	2.54

Combination (Capacity)	Indoor air temp. °CDB	Outdoor air temp.: °CWB													
		-15°C		-10°C		-5°C		0°C		6°C		10°C		15°C	
		TC kW	PI kW	TC kW	PI kW	TC kW	PI kW	TC kW	PI kW	TC kW	PI kW	TC kW	PI kW	TC kW	PI kW
2.0+3.5	16.0	4.62	2.14	5.56	2.24	6.50	2.35	7.44	2.46	8.57	2.59	9.32	2.68	10.27	2.79
	18.0	4.50	2.16	5.44	2.27	6.38	2.38	7.38	2.49	8.46	2.62	9.21	2.70	10.15	2.81
	20.0	4.38	2.18	5.33	2.29	6.27	2.40	7.21	2.51	8.34	2.64	9.09	2.73	10.04	2.84
	21.0	4.33	2.20	5.27	2.30	6.21	2.41	7.15	2.52	8.28	2.65	9.04	2.74	9.98	2.85
	22.0	4.27	2.21	5.21	2.32	6.15	2.42	7.09	2.53	8.22	2.66	8.98	2.75	9.92	2.86
	24.0	4.15	2.23	5.10	2.34	6.04	2.45	6.98	2.56	8.11	2.69	8.86	2.77	9.75	2.85
2.5	16.0	5.62	2.35	6.77	2.47	7.92	2.59	9.06	2.71	10.44	2.86	11.36	2.95	12.51	3.07
	18.0	5.48	2.38	6.63	2.50	7.78	2.62	8.92	2.74	10.30	2.88	11.22	2.88	12.37	3.10
	20.0	5.34	2.41	6.49	2.53	7.64	2.65	8.78	2.77	10.16	2.91	11.08	3.01	11.91	2.95
	21.0	5.27	2.42	6.42	2.54	7.57	2.66	8.71	2.78	10.09	2.92	11.01	3.02	11.59	2.83
	22.0	5.20	2.43	6.35	2.55	7.50	2.67	8.64	2.79	10.02	2.94	10.94	3.03	11.26	2.71
	24.0	5.06	2.46	6.21	2.58	7.36	2.70	8.50	2.82	9.88	2.96	10.62	2.95	10.62	2.49
3.5	16.0	5.72	2.41	6.89	2.53	8.06	2.66	9.22	2.78	10.63	2.93	11.56	3.02	12.73	3.15
	18.0	5.58	2.44	6.75	2.56	7.91	2.68	9.08	2.81	10.48	2.95	11.42	3.05	12.58	3.17
	20.0	5.44	2.46	6.60	2.59	7.77	2.71	8.94	2.83	10.34	2.98	11.27	3.08	12.44	3.20
	21.0	5.36	2.48	6.53	2.60	7.70	2.72	8.87	2.85	10.27	2.99	11.20	3.09	12.37	3.21
	22.0	5.29	2.49	6.46	2.61	7.63	2.74	8.80	2.86	10.20	3.01	11.13	3.11	12.30	3.23
	24.0	5.15	2.52	6.32	2.64	7.49	2.76	8.65	2.89	10.05	3.03	10.99	3.13	12.16	3.25
5.0	16.0	4.52	2.07	5.44	2.18	6.36	2.28	7.28	2.39	8.39	2.51	9.12	2.60	10.04	2.70
	18.0	4.40	2.09	5.32	2.20	6.25	2.31	7.17	2.41	8.27	2.54	9.01	2.62	9.93	2.73
	20.0	4.29	2.12	5.21	2.22	6.13	2.33	7.05	2.43	8.16	2.56	8.90	2.64	9.82	2.75
	21.0	4.23	2.13	5.16	2.23	6.08	2.34	7.00	2.45	8.10	2.57	8.84	2.66	9.76	2.76
	22.0	4.18	2.14	5.10	2.25	6.02	2.35	6.94	2.46	8.05	2.58	8.78	2.67	9.71	2.77
	24.0	4.06	2.16	4.99	2.27	5.91	2.37	6.83	2.48	7.93	2.61	8.67	2.69	9.59	2.80
6.0	16.0	4.80	2.34	5.78	2.46	6.76	2.58	7.74	2.70	8.92	2.84	9.70	2.93	10.68	3.05
	18.0	4.68	2.36	5.66	2.48	6.64	2.60	7.62	2.72	8.80	2.86	9.58	2.96	10.56	3.08
	20.0	4.56	2.39	5.54	2.51	6.52	2.63	7.50	2.75	8.68	2.89	9.46	2.99	10.44	3.10
	21.0	4.50	2.40	5.48	2.52	6.46	2.64	7.44	2.76	8.62	2.90	9.40	3.00	10.38	3.12
	22.0	4.44	2.42	5.42	2.54	6.40	2.65	7.38	2.77	8.56	2.92	9.34	3.01	10.32	3.13
	24.0	4.32	2.44	5.30	2.56	6.28	2.68	7.26	2.80	8.44	2.94	9.22	3.04	9.75	2.86
2.0+2.0	16.0	5.69	2.40	6.85	2.53	8.01	2.65	9.17	2.77	10.56	2.92	11.49	3.01	12.65	3.14
	18.0	5.55	2.43	6.71	2.55	7.87	2.67	9.03	2.80	10.42	2.94	11.35	3.04	12.51	3.16
	20.0	5.40	2.46	6.57	2.58	7.73	2.70	8.89	2.82	10.28	2.97	11.21	3.07	11.91	2.94
	21.0	5.33	2.47	6.49	2.59	7.66	2.71	8.82	2.84	10.21	2.98	11.14	3.08	11.59	2.82
	22.0	5.26	2.48	6.42	2.61	7.58	2.73	8.75	2.85	10.14	3.00	11.07	3.09	11.26	2.70
	24.0	5.12	2.51	6.28	2.63	7.44	2.75	8.60	2.88	10.00	3.02	10.62	2.94	10.62	2.48
2.0+2.0	16.0	5.79	2.44	6.97	2.56	8.15	2.68	9.33	2.81	10.75	2.96	11.69	3.05	12.87	3.18
	18.0	5.64	2.46	6.82	2.59	8.01	2.71	9.19	2.83	10.60	2.98	11.55			

4 Capacity tables

4 - 3 Heating capacity tables

3MXS68G

★ Heating (50Hz 230V)

Combination (Capacity)	indoor air temp. °CDB	Outdoor air temp.: °CWB															
		-15°C		-10°C		-5°C		0°C		6°C		10°C		15°C			
		TC kW	PI kW	TC kW	PI kW	TC kW	PI kW	TC kW	PI kW	TC kW	PI kW	TC kW	PI kW	TC kW	PI kW		
3.5+3.5	16.0	4.99	2.52	6.01	2.64	7.03	2.77	8.05	2.90	9.27	3.05	10.08	3.16	11.10	3.28		
	18.0	4.87	2.54	5.89	2.67	6.90	2.80	7.92	2.93	9.14	3.08	9.96	3.18	10.98	3.31		
	20.0	4.74	2.57	5.73	2.70	6.78	2.83	7.80	2.93	9.02	3.11	9.83	3.21	10.85	3.34		
	21.0	4.68	2.59	5.70	2.71	6.72	2.84	7.74	2.97	8.93	3.12	9.77	3.32	10.79	3.35		
	22.0	4.62	2.60	5.64	2.73	6.65	2.86	7.67	2.98	8.90	3.14	9.71	3.24	10.51	3.21		
24.0	4.49	2.63	5.51	2.76	6.53	2.88	7.55	3.01	8.77	3.17	9.59	3.27	9.90	2.92			
3.5+5.0	16.0	5.76	2.43	6.94	2.55	8.11	2.67	9.29	2.80	10.70	2.95	11.64	3.04	12.81	3.17		
	18.0	5.62	2.45	6.79	2.58	7.97	2.70	9.14	2.82	10.55	2.97	11.49	3.07	12.67	3.20		
	20.0	5.47	2.48	6.65	2.60	7.82	2.73	9.00	2.85	10.41	3.00	11.35	3.10	12.08	2.98		
	21.0	5.40	2.49	6.58	2.62	7.75	2.74	8.93	2.87	10.34	3.01	11.28	3.11	11.75	2.85		
	22.0	5.33	2.51	6.50	2.63	7.68	2.76	8.86	2.88	10.27	3.03	11.21	3.13	11.43	2.73		
24.0	5.19	2.54	6.36	2.66	7.54	2.78	8.71	2.91	10.12	3.05	10.77	2.98	10.77	2.51			
3.5+6.0	16.0	5.86	2.43	7.06	2.55	8.25	2.67	9.45	2.80	10.88	2.95	11.84	3.04	13.03	3.17		
	18.0	5.71	2.45	6.91	2.58	8.11	2.70	9.30	2.82	10.74	2.97	11.69	3.07	12.89	3.20		
	20.0	5.57	2.48	6.76	2.60	7.96	2.73	9.16	2.85	10.59	3.00	11.55	3.10	12.74	3.22		
	21.0	5.49	2.49	6.69	2.62	7.89	2.74	9.08	2.87	10.52	3.01	11.47	3.11	12.67	3.24		
	22.0	5.42	2.51	6.62	2.63	7.81	2.76	9.01	2.88	10.44	3.03	11.40	3.13	12.60	3.25		
24.0	5.28	2.54	6.47	2.66	7.67	2.78	8.86	2.91	10.30	3.05	11.25	3.15	12.45	3.28			
5.0+5.0	16.0	5.87	2.06	7.06	2.17	8.26	2.27	9.46	2.38	10.89	2.50	11.85	2.59	13.05	2.69		
	18.0	5.72	2.09	6.92	2.19	8.11	2.30	9.31	2.40	10.75	2.53	11.70	2.61	12.90	2.72		
	20.0	5.57	2.11	6.77	2.21	7.97	2.32	9.16	2.42	10.60	2.55	11.56	2.63	12.75	2.74		
	21.0	5.50	2.12	6.70	2.23	7.89	2.33	9.09	2.44	10.53	2.56	11.48	2.65	12.68	2.75		
	22.0	5.43	2.13	6.62	2.24	7.82	2.34	9.02	2.45	10.45	2.57	11.41	2.66	12.35	2.65		
24.0	5.28	2.15	6.48	2.26	7.67	2.36	8.87	2.47	10.31	2.60	11.26	2.68	11.64	2.43			
5.0+6.0	16.0	5.91	2.16	7.12	2.27	8.32	2.38	9.53	2.49	10.97	2.62	11.94	2.71	13.15	2.82		
	18.0	5.76	2.18	6.97	2.29	8.17	2.40	9.38	2.51	10.83	2.65	11.79	2.73	13.00	2.84		
	20.0	5.61	2.21	6.82	2.32	8.03	2.43	9.23	2.54	10.68	2.67	11.64	2.76	12.85	2.87		
	21.0	5.54	2.22	6.75	2.33	7.95	2.44	9.16	2.55	10.61	2.68	11.57	2.77	12.78	2.88		
	22.0	5.47	2.23	6.67	2.34	7.88	2.45	9.09	2.56	10.53	2.69	11.50	2.78	12.70	2.89		
24.0	5.32	2.26	6.53	2.37	7.73	2.48	8.94	2.59	10.39	2.72	11.35	2.81	12.56	2.92			
2.0+2.0+2.0	16.0	5.56	2.18	6.69	2.30	8.80	2.41	8.96	2.52	10.32	2.65	11.22	2.74	12.36	2.85		
	18.0	5.42	2.21	6.55	2.32	7.68	2.43	8.82	2.54	10.18	2.68	11.09	2.76	12.22	2.88		
	20.0	5.28	2.23	6.41	2.34	7.55	2.46	8.68	2.57	10.04	2.70	10.95	2.79	12.08	2.90		
	21.0	5.21	2.25	6.34	2.36	7.48	2.47	8.61	2.58	9.97	2.71	10.88	2.80	12.01	2.91		
	22.0	5.14	2.26	6.27	2.37	7.41	2.48	8.54	2.59	9.90	2.72	10.81	2.81	11.94	2.92		
24.0	5.00	2.28	6.13	2.39	7.27	2.50	8.40	2.62	9.76	2.75	10.67	2.84	11.80	2.95			
2.0+2.0+2.5	16.0	5.60	2.22	6.74	2.33	7.89	2.44	9.03	2.56	10.40	2.69	11.31	2.78	12.46	2.89		
	18.0	5.46	2.24	6.60	2.35	7.75	2.47	8.89	2.58	10.26	2.72	11.17	2.81	12.32	2.92		
	20.0	5.32	2.27	6.46	2.38	7.61	2.49	8.75	2.60	10.12	2.74	11.03	2.83	12.18	2.94		
	21.0	5.25	2.28	6.39	2.39	7.54	2.50	8.69	2.62	10.05	2.75	10.93	2.84	12.11	2.96		
	22.0	5.18	2.39	6.32	2.40	7.47	2.52	8.61	2.63	9.99	2.76	10.89	2.85	12.04	2.97		
24.0	5.04	2.32	6.18	2.43	7.33	2.54	8.47	2.65	9.84	2.79	10.75	2.88	11.90	2.99			

Combination (Capacity)	indoor air temp. °CDB	Outdoor air temp.: °CWB															
		-15°C		-10°C		-5°C		0°C		6°C		10°C		15°C			
		TC kW	PI kW	TC kW	PI kW	TC kW	PI kW	TC kW	PI kW	TC kW	PI kW	TC kW	PI kW	TC kW	PI kW		
2.0+2.0+3.5	16.0	5.66	2.33	6.81	2.45	7.96	2.57	9.12	2.69	10.50	2.83	11.43	2.92	12.58	3.04		
	18.0	5.51	2.36	6.67	2.47	7.82	2.59	8.98	2.71	10.36	2.85	11.28	2.95	12.44	3.07		
	20.0	5.37	2.38	6.53	2.50	7.68	2.62	8.84	2.74	10.22	2.88	11.14	2.97	12.30	3.09		
	21.0	5.30	2.39	6.46	2.51	7.61	2.63	8.76	2.75	10.15	2.89	11.07	2.99	12.23	3.11		
	22.0	5.23	2.41	6.39	2.53	7.54	2.65	8.69	2.76	10.08	2.91	11.00	3.00	12.16	3.12		
24.0	5.09	2.43	6.24	2.55	7.40	2.67	8.55	2.79	9.94	2.93	10.86	3.03	12.02	3.15			
2.0+2.0+5.0	16.0	5.77	2.16	6.94	2.27	8.12	2.38	9.30	2.49	10.71	2.62	11.65	2.71	12.83	2.82		
	18.0	5.62	2.18	6.80	2.29	7.98	2.40	9.15	2.51	10.56	2.65	11.51	2.73	12.68	2.84		
	20.0	5.48	2.21	6.65	2.32	7.83	2.43	9.01	2.54	10.42	2.67	11.36	2.76	12.54	2.87		
	21.0	5.41	2.22	6.58	2.33	7.76	2.44	8.94	2.55	10.35	2.68	11.29	2.77	12.47	2.88		
	22.0	5.33	2.23	6.51	2.34	7.69	2.45	8.86	2.56	10.28	2.69	11.22	2.78	12.39	2.89		
24.0	5.19	2.26	6.37	2.37	7.54	2.48	8.72	2.59	10.13	2.72	11.07	2.81	12.25	2.92			
2.0+2.0+6.0	16.0	5.83	2.16	7.02	2.27	8.20	2.38	9.39	2.49	10.82	2.62	11.77	2.71	12.96	2.82		
	18.0	5.68	2.18	6.87	2.29	8.06	2.40	9.25	2.51	10.68	2.65	11.63	2.73	12.82	2.84		
	20.0	5.54	2.21	6.73	2.32	7.91	2.43	9.10	2.54	10.53	2.67	11.48	2.76	12.67	2.87		
	21.0	5.46	2.22	6.65	2.33	7.84	2.44	9.03	2.55	10.46	2.68	11.41	2.77	12.60	2.88		
	22.0	5.39	2.23	6.58	2.34	7.77	2.45	8.96	2.56	10.38	2.69	11.34	2.78	12.52	2.89		
24.0	5.25	2.26	6.43	2.37	7.62	2.48	8.81	2.59	10.24	2.72	11.19	2.81	12.38	2.92			
2.0+2.5+2.5	16.0	5.61	2.30	6.75	2.41	7.89	2.53	9.04	2.65	10.41	2.79	11.32	2.88	12.47	3.00		
	18.0	5.47	2.32	6.61	2.44	7.75	2.56	8.90	2.67	10.27	2.81	11.18	2.91	12.33	3.02		
	20.0	5.33	2.35	6.47	2.47	7.61	2.58	8.76	2.70	10.13	2.84	11.05	2.9	12.19	3.05		
	21.0	5.26	2.36	6.40	2.48	7.54	2.60	8.69	2.71	10.06	2.85	10.95	2.95	12.12	3.06		
	22.0	5.19	2.37	6.33	2.49	7.47	2.61	8.62	2.73	9.99	2.87	10.91	2.93	12.05	3.08		
24.0	5.05	2.40	6.19	2.52	7.33	2.63	8.48	2.75	9.85	2.89	10.77	2.98	11.91	3.10			
2.0+2.5+3.5	16.0	5.66	2.33	6.81	2.45	7.96	2.57	9.12	2.69	10.50	2.83	11.43	2.92	12.58	3.04		
	18.0	5.51	2.36	6.67	2.47	7.82	2.59	8.98	2.71	10.36	2.85	11.28	2.95	12.44	3.07		
	20.0	5.37	2.38	6.53	2.50	7.68	2.62	8.84	2.74	10.22	2.88	11.14	2.97	12.30	3.09		
	21.0	5.30	2.39	6.46	2.51	7.61	2.63	8.76	2.75	10.15	2.89	1					

4 Capacity tables

4 - 3 Heating capacity tables

3MXS68G

★ Heating (50Hz 230V)

Combination (Capacity)	Indoor air temp. °CDB	Outdoor air temp.: °CWB													
		-15°C		-10°C		-5°C		0°C		6°C		10°C		15°C	
		TC	PI	TC	PI	TC	PI	TC	PI	TC	PI	TC	PI	TC	PI
2.0+3.5+3.5	16.0	5.73	2.37	6.90	2.49	8.06	2.61	9.23	2.73	10.64	2.88	11.57	2.97	12.74	3.09
	18.0	5.58	2.40	6.75	2.52	7.92	2.64	9.09	2.76	10.49	2.90	11.43	3.00	12.60	3.12
	20.0	5.44	2.42	6.61	2.54	7.78	2.66	8.95	2.79	10.35	2.93	11.28	3.03	12.45	3.15
	21.0	5.37	2.44	6.54	2.56	7.71	2.68	8.88	2.80	10.28	2.94	11.21	3.04	12.38	3.16
	22.0	5.30	2.45	6.47	2.57	7.64	2.69	8.80	2.81	10.21	2.96	11.14	3.05	12.31	3.17
	24.0	5.16	2.48	6.32	2.60	7.49	2.72	8.66	2.84	10.06	2.98	11.00	3.08	12.17	3.20
2.0+3.5+5.0	16.0	5.92	2.23	7.13	2.35	8.34	2.46	9.55	2.57	11.00	2.71	11.96	2.80	13.17	2.91
	18.0	5.77	2.26	6.98	2.37	8.19	2.49	9.40	2.60	10.85	2.74	11.81	2.83	13.02	2.94
	20.0	5.63	2.28	6.83	2.40	8.04	2.51	9.25	2.62	10.70	2.76	11.67	2.85	12.87	2.96
	21.0	5.55	2.30	6.76	2.41	7.97	2.52	9.18	2.64	10.63	2.77	11.59	2.86	12.80	2.98
	22.0	5.48	2.31	6.69	2.42	7.89	2.53	9.10	2.65	10.55	2.78	11.52	2.88	12.73	2.99
	24.0	5.33	2.33	6.54	2.45	7.75	2.56	8.95	2.67	10.40	2.81	11.37	2.90	12.58	3.01
2.5+2.5+2.5	16.0	5.67	2.32	6.82	2.44	7.98	2.56	9.14	2.68	10.52	2.82	11.45	2.91	12.60	3.03
	18.0	5.53	2.35	6.68	2.47	7.84	2.58	8.99	2.70	10.38	2.84	11.31	2.94	12.46	3.06
	20.0	5.38	2.37	6.54	2.49	7.70	2.61	8.85	2.73	10.24	2.07	11.17	2.96	12.32	3.08
	21.0	5.31	2.39	6.47	2.50	7.63	2.62	8.78	2.74	10.17	2.88	11.09	2.98	12.25	3.10
	22.0	5.24	2.40	6.40	2.52	7.55	2.64	8.71	2.75	10.10	2.90	11.02	2.99	12.18	3.11
	24.0	5.10	2.43	6.26	2.54	7.41	2.66	8.57	2.78	9.96	2.92	10.88	3.02	12.04	3.13
2.5+2.5+3.5	16.0	5.78	2.39	6.96	2.52	8.14	2.64	9.32	2.76	10.74	2.91	11.68	3.00	12.86	3.13
	18.0	5.64	2.42	6.82	2.54	8.00	2.67	9.18	2.79	10.59	2.93	11.54	3.03	12.72	3.15
	20.0	5.49	2.45	6.67	2.57	7.85	2.69	9.03	2.81	10.45	2.96	11.39	3.06	12.57	3.18
	21.0	5.42	2.46	6.60	2.58	7.78	2.71	8.96	2.83	10.38	2.97	11.323	3.07	12.50	3.19
	22.0	5.35	2.47	6.53	2.60	7.71	2.72	8.89	2.84	10.31	2.99	11.25	3.08	12.43	3.21
	24.0	5.21	2.50	6.39	2.62	7.57	2.75	8.75	2.87	10.16	3.01	11.11	3.11	12.29	3.23
2.5+2.5+5.0	16.0	5.90	2.20	7.10	2.31	8.31	2.42	9.51	2.54	10.95	2.67	11.92	2.76	13.12	2.87
	18.0	5.75	2.23	6.96	2.34	8.16	2.45	9.36	2.56	10.81	2.70	11.77	2.79	12.97	2.90
	20.0	5.60	2.25	6.81	2.36	8.01	2.47	9.22	2.59	10.66	2.72	11.62	2.81	12.83	2.92
	21.0	5.53	2.26	6.73	2.37	7.94	2.49	9.14	2.60	10.59	2.73	11.55	2.82	12.75	2.93
	22.0	5.46	2.27	6.66	2.39	7.86	2.50	9.07	2.61	10.51	2.74	11.48	2.83	12.68	2.95
	24.0	5.31	2.80	6.51	2.41	7.72	2.52	8.92	2.63	10.37	2.77	11.33	2.86	12.53	2.97
2.5+2.5+6.0	16.0	5.89	2.14	7.10	2.24	8.30	2.35	9.50	2.46	10.94	2.59	11.91	2.68	13.11	2.79
	18.0	5.75	2.16	6.95	2.27	8.15	2.38	9.35	2.49	10.80	2.62	11.76	2.70	12.96	2.81
	20.0	5.60	2.18	6.80	2.29	8.00	2.40	9.21	2.51	10.65	2.64	11.61	2.73	12.81	2.84
	21.0	5.53	2.20	6.73	2.30	7.93	2.41	9.13	2.52	10.58	2.65	11.54	2.74	12.74	2.85
	22.0	5.45	2.21	6.65	2.32	7.86	2.42	9.06	2.53	10.50	2.66	11.47	2.75	12.67	2.86
	24.0	5.31	2.23	6.51	2.34	7.71	2.45	8.91	2.56	10.36	2.69	11.32	2.77	12.52	2.88
2.5+3.5+3.5	16.0	5.85	2.39	7.05	2.52	8.24	2.64	9.44	2.76	10.87	2.91	11.83	3.00	13.02	3.13
	18.0	5.71	2.42	6.90	2.54	8.10	2.67	9.29	2.79	10.73	2.93	11.68	3.03	12.88	3.15
	20.0	5.56	2.45	6.76	2.57	7.95	2.69	9.15	2.81	10.58	2.96	11.54	3.06	12.73	3.18
	21.0	5.49	2.46	6.68	2.58	7.88	2.71	9.07	2.83	10.51	2.97	11.46	3.07	12.66	3.19
	22.0	5.42	2.47	6.61	2.60	7.81	2.72	9.00	2.84	10.43	2.99	11.39	3.08	12.58	3.21
	24.0	5.27	2.50	6.46	2.62	7.66	2.75	8.85	2.87	10.29	3.01	11.24	3.11	12.44	3.23

Combination (Capacity)	Indoor air temp. °CDB	Outdoor air temp.: °CWB													
		-15°C		-10°C		-5°C		0°C		6°C		10°C		15°C	
		TC	PI	TC	PI	TC	PI	TC	PI	TC	PI	TC	PI	TC	PI
2.5+3.5+5.0	16.0	5.90	2.18	7.11	2.29	8.31	2.40	9.52	2.51	10.96	2.64	11.93	2.73	13.13	2.84
	18.0	5.76	2.20	6.96	2.31	8.17	2.42	9.37	2.53	10.82	2.67	11.78	2.75	12.99	2.87
	20.0	5.61	2.22	6.81	2.34	8.02	2.45	9.22	2.56	10.67	2.69	11.63	2.78	12.84	2.89
	21.0	5.54	2.24	6.74	2.35	7.95	2.46	9.15	2.57	10.60	2.70	11.56	2.79	12.77	2.90
	22.0	5.46	2.25	6.67	2.36	7.87	2.47	9.08	2.58	10.52	2.71	11.49	2.80	12.69	2.91
	24.0	5.32	2.27	6.52	2.38	7.72	2.49	8.93	2.61	10.38	2.74	11.34	2.83	12.54	2.94
3.5+3.5+3.5	16.0	5.88	2.45	7.08	2.58	8.28	2.70	9.48	2.83	10.92	2.98	11.88	3.08	13.08	3.20
	18.0	5.74	2.48	6.94	2.60	8.14	2.73	9.34	2.85	10.78	3.00	11.74	3.10	12.94	3.23
	20.0	5.59	2.51	6.79	2.63	7.99	2.76	9.19	2.88	10.63	3.03	11.59	3.13	12.79	3.25
	21.0	5.52	2.52	6.72	2.64	7.92	2.77	9.12	2.89	10.56	3.04	11.52	3.14	12.72	3.27
	22.0	5.44	2.53	6.64	2.66	7.84	2.78	9.04	2.91	10.48	3.06	11.44	3.16	12.64	3.28
	24.0	5.30	2.56	6.50	2.69	7.70	2.81	8.90	2.93	10.34	3.08	11.30	3.18	12.50	3.31

3D059176

SYMBOLS

TC: Total capacity (kW)
PI: Power input (kW)

NOTE

- Capacities are based on the following conditions.
Corresponding refrigerant piping length: 5m
Level difference: 0m
- The bold line is indicated the standard condition.
- The above is the value for connecting with the following indoor units.
2.0, 2.5, 3.5, 5.0 kW Class; wall mounted D series
6.0 kW class; wall mounted F series

4 Capacity tables

4 - 3 Heating capacity tables

3MXS68G

★ Heating (50Hz 230V)

Combination (Capacity)	Indoor air temp. °CDB	Outdoor air temp.: °CWB															
		-15°C		-10°C		-5°C		0°C		6°C		10°C		15°C			
		TC kW	PI kW	TC kW	PI kW	TC kW	PI kW	TC kW	PI kW	TC kW	PI kW	TC kW	PI kW	TC kW	PI kW		
2.0	16.0	2.17	1.03	2.62	1.08	3.06	1.13	3.51	1.18	4.04	1.25	4.39	1.29	4.84	1.34		
	18.0	2.12	1.04	2.56	1.09	3.01	1.14	3.45	1.20	3.98	1.26	4.34	1.30	4.78	1.35		
	20.0	2.07	1.05	2.51	1.10	2.95	1.15	3.40	1.21	3.93	1.27	4.29	1.31	4.73	1.36		
	21.0	2.04	1.06	2.48	1.11	2.93	1.16	3.37	1.21	3.90	1.28	4.46	1.32	4.70	1.37		
	22.0	2.01	1.06	2.46	1.11	2.90	1.17	3.34	1.22	3.88	1.28	4.23	1.32	4.67	1.38		
	24.0	1.96	1.07	2.40	1.13	2.85	1.18	3.29	1.23	3.82	1.29	4.18	1.33	4.62	1.39		
2.5	16.0	2.29	1.11	2.75	1.16	3.22	1.22	3.68	1.28	4.24	1.35	4.62	1.39	5.08	1.45		
	18.0	2.23	1.12	2.69	1.18	3.16	1.23	3.63	1.29	4.19	1.36	4.56	1.40	5.03	1.46		
	20.0	2.17	1.13	2.64	1.19	3.10	1.25	3.57	1.30	4.13	1.37	4.50	1.42	4.97	1.47		
	21.0	2.14	1.14	2.61	1.20	3.08	1.25	3.54	1.31	4.10	1.38	4.47	1.42	4.94	1.48		
	22.0	2.11	1.15	2.58	1.20	3.05	1.26	3.51	1.31	4.07	1.38	4.45	1.43	4.91	1.48		
	24.0	2.06	1.16	2.52	1.21	2.99	1.27	3.46	1.33	4.02	1.39	4.39	1.44	4.80	1.47		
3.5	16.0	2.50	1.30	3.01	1.37	3.52	1.44	4.03	1.50	4.64	1.58	5.05	1.63	5.56	1.70		
	18.0	2.44	1.32	2.95	1.38	3.46	1.45	3.97	1.52	4.58	1.60	4.99	1.65	5.50	1.71		
	20.0	2.38	1.33	2.89	1.40	3.40	1.46	3.91	1.53	4.52	1.61	4.93	1.66	5.44	1.73		
	21.0	2.35	1.34	2.86	1.41	3.37	1.47	3.88	1.54	4.49	1.62	4.90	1.67	5.40	1.73		
	22.0	2.31	1.35	2.82	1.41	3.33	1.48	3.85	1.54	4.46	1.62	4.87	1.68	5.25	1.68		
	24.0	2.25	1.36	2.76	1.43	3.27	1.49	3.78	1.56	4.40	1.64	4.80	1.69	4.95	1.57		
4.2	16.0	2.61	1.39	3.14	1.46	3.67	1.53	4.20	1.60	4.84	1.69	5.27	1.75	5.80	1.82		
	18.0	2.54	1.41	3.07	1.48	3.60	1.50	4.14	1.62	4.78	1.70	5.20	1.76	5.73	1.83		
	20.0	2.48	1.42	3.01	1.49	3.54	1.56	4.07	1.64	4.71	1.72	5.14	1.78	5.55	1.78		
	21.0	2.44	1.43	2.98	1.50	3.51	1.57	4.04	1.64	4.68	1.73	5.10	1.78	5.40	1.73		
	22.0	2.41	1.44	2.94	1.51	3.47	1.58	4.01	1.65	4.64	1.74	5.07	1.79	5.25	1.67		
	24.0	2.35	1.45	2.88	1.52	3.41	1.60	3.94	1.67	4.58	1.75	4.95	1.78	4.95	1.56		
5.0	16.0	3.19	1.83	3.84	1.92	4.49	2.01	5.14	2.11	5.92	2.22	6.44	2.29	7.09	2.39		
	18.0	3.11	1.85	3.76	1.94	4.41	2.03	5.06	2.13	5.84	2.24	6.36	2.31	6.88	2.32		
	20.0	3.03	1.87	3.68	1.96	4.33	2.06	4.98	2.15	5.76	2.26	6.28	2.33	6.53	2.17		
	21.0	2.99	1.88	3.64	1.97	4.29	2.07	4.94	2.16	5.72	2.27	6.24	2.34	6.35	2.09		
	22.0	2.95	1.89	3.60	1.98	4.25	2.08	4.90	2.17	5.68	2.28	6.17	2.33	6.17	2.02		
	24.0	2.87	1.91	3.52	2.00	4.17	2.10	4.82	2.19	5.60	2.30	5.82	2.16	5.82	1.87		
6.0	16.0	4.74	2.36	5.71	2.48	6.68	2.60	7.65	2.72	8.81	2.87	9.58	2.96	10.18	2.86		
	18.0	4.62	2.39	5.59	2.51	6.56	2.63	7.53	2.75	8.69	2.89	9.46	2.99	9.68	2.66		
	20.0	4.51	2.41	5.47	2.54	6.44	2.66	7.41	2.78	8.57	2.92	9.18	2.91	9.18	2.47		
	21.0	4.45	2.43	5.41	2.55	6.38	2.67	7.35	2.79	8.51	2.93	8.94	2.79	8.94	2.38		
	22.0	4.39	2.44	5.36	2.56	6.32	2.68	7.29	2.80	8.45	2.95	8.69	2.68	8.69	2.28		
	24.0	4.27	2.47	5.24	2.59	6.20	2.71	7.17	2.83	8.19	2.87	8.19	2.47	8.19	2.11		
2.0+2.0	16.0	4.23	1.82	5.09	1.91	5.95	2.01	6.82	2.10	7.85	2.21	8.54	2.28	9.40	2.38		
	18.0	4.12	1.84	4.98	1.93	5.85	2.03	6.71	2.12	7.75	2.23	8.44	2.30	9.30	2.40		
	20.0	4.02	1.86	4.88	1.95	5.74	2.05	6.60	2.14	7.64	2.25	8.33	2.32	9.19	2.42		
	21.0	3.96	1.87	4.83	1.96	5.69	2.06	6.55	2.15	7.59	2.26	8.28	2.33	9.14	2.43		
	22.0	3.91	1.88	4.77	1.97	5.64	2.07	6.50	2.16	7.53	2.27	8.22	2.34	9.09	2.44		
	24.0	3.81	1.90	4.67	1.99	5.53	2.09	6.39	2.18	7.43	2.29	8.12	2.36	8.98	2.46		

Combination (Capacity)	Indoor air temp. °CDB	Outdoor air temp.: °CWB															
		-15°C		-10°C		-5°C		0°C		6°C		10°C		15°C			
		TC kW	PI kW	TC kW	PI kW	TC kW	PI kW	TC kW	PI kW	TC kW	PI kW	TC kW	PI kW	TC kW	PI kW		
2.0+2.5	16.0	4.32	1.89	5.20	1.98	6.09	2.08	6.97	2.17	8.03	2.29	8.73	2.36	9.61	2.46		
	18.0	4.21	1.91	5.10	2.00	5.98	2.10	6.86	2.19	7.92	2.31	8.62	2.39	9.51	2.48		
	20.0	4.11	1.93	4.99	2.02	5.87	2.12	6.75	2.21	7.81	2.33	8.52	2.41	9.40	2.50		
	21.0	4.05	1.94	4.93	2.03	5.82	2.13	6.70	2.23	7.76	2.34	8.46	2.42	9.34	2.51		
	22.0	4.00	1.95	4.88	2.04	5.76	2.14	6.64	2.24	7.70	2.35	8.41	2.43	9.29	2.52		
	24.0	3.89	1.97	4.77	2.06	5.65	2.16	6.54	2.26	7.59	2.37	8.30	2.45	9.18	2.54		
2.0+3.5	16.0	4.62	2.14	5.56	2.24	6.50	2.35	7.44	2.46	8.57	2.59	9.32	2.68	10.27	2.79		
	18.0	4.50	2.16	5.44	2.27	6.38	2.38	7.33	2.49	8.46	2.62	9.21	2.70	10.15	2.81		
	20.0	4.38	2.18	5.33	2.29	6.27	2.40	7.21	2.51	8.34	2.64	9.09	2.73	10.04	2.84		
	21.0	4.33	2.20	5.27	2.30	6.21	2.41	7.15	2.52	8.28	2.65	9.04	2.74	9.98	2.85		
	22.0	4.27	2.21	5.21	2.32	6.15	2.42	7.09	2.53	8.22	2.66	8.98	2.75	9.92	2.86		
	24.0	4.15	2.33	5.10	2.34	6.04	2.45	6.98	2.56	8.11	2.69	8.86	2.77	9.75	2.85		
2.0+4.2	16.0	4.80	2.34	5.78	2.46	6.76	2.58	7.74	2.70	8.92	2.84	9.70	2.93	10.68	3.05		
	18.0	4.68	2.36	5.66	2.48	6.64	2.60	7.62	2.72	8.80	2.86	9.58	2.96	10.56	3.08		
	20.0	4.56	2.39	5.54	2.51	6.52	2.63	7.50	2.75	8.68	2.89	9.46	2.99	10.44	3.10		
	21.0	4.50	2.40	5.48	2.52	6.46	2.64	7.44	2.76	8.62	2.90	9.40	3.00	10.38	3.12		
	22.0	4.44	2.42	5.42	2.54	6.40	2.65	7.38	2.77	8.56	2.92	9.34	3.01	10.32	3.13		
	24.0	4.32	2.44	5.30	2.56	6.28	2.68	7.26	2.80	8.44	2.94	9.22	3.04	9.75	2.86		
2.0+5.0	16.0	5.62	2.64	6.76	2.77	7.91	2.91	9.05	3.04	10.43	3.20	11.35	3.31	12.49	3.44		
	18.0	5.48	2.67	6.62	2.80	7.77	2.94	8.91	3.07	10.29	3.23	11.21	3.34	12.35	3.47		
	20.0	5.34	2.70	6.48	2.83	7.63	2.96	8.77	3.10	10.15	3.26	11.07	3.37	11.91	3.30		
	21.0	5.27	2.71	6.41	2.85	7.56	2.98	8.70	3.11	10.08	3.27	11.00	3.38	11.59	3.16		
	22.0	5.20	2.73	6.34	2.86	7.49	2.99	8.63	3.13	10.01	3.29	10.93	3.40	11.26	3.02		
	24.0	5.06	2.75	6.20	2.89	7.35	3.02	8.49	3.16	9.87	3.32	10.62	3.31	10.62	2.75		
2.0+6.0	16.0	5.72	2.41	6.89	2.53	8.06	2.66	9.22	2.78	10.63	2.93	11.56	3.02	12.73	3.15		
	18.0	5.58	2.44	6.75	2.56	7.91	2.68	9.08	2.81	10.48	2.95	11.42	3.05	12.58	3.17		
	20.0	5.44	2.46	6.60	2.59	7.77	2.71	8.94	2.83	10.34	2.98	11.27	3.08	12.44	3.20		
	21.0	5.36	2.48	6.53	2.60	7.70	2.72	8.87	2.85	10.27	2.99	11.20	3.09	12.37	3.21		
	22.0	5.29	2.49	6.46	2.61	7.63	2.74	8.80	2.86	10.20	3.01	11.13	3.11	12.30	3.23		
	24.0	5.15	2.52	6.32	2.64	7.49	2.76	8.65	2.89	10.05	3.03	10.99	3.13	12.16	3.25		
2.5+2.5	16.0	4.52	2.07	5.44	2.18	6.36	2.28	7.28	2.39	8.39	2.51	9.12	2.60	10.04	2.70		
	18.0	4.40	2.09	5.32	2.20	6.25	2.31	7.17	2.41	8.27	2.54	9.01	2.62	9.93	2.73		
	20.0	4.29	2.12	5.21	2.22	6.13	2.33	7.05	2.43	8.16	2.56	8.90	2.64	9.82	2.75		
	21.0	4.23	2.13	5.16	2.23	6.08	2.34	7.00	2.45	8.10	2.57	8.84	2.66	9.76	2.76		
	22.0	4.18	2.14	5.10	2.25	6.02	2.35	6.94	2.46	8.05	2.58	8.78	2.67	9.71	2.77		
	24.0	4.06	2.16	4.99	2.27	5.91	2.37	6.83	2.48	7.93	2.61	8.67	2.69	9.59	2.80		
2.5+3.5	16.0	4.80	2.34	5.78	2.46	6.76	2.58	7.74	2.70	8.92	2.84	9.70	2.93	10.68	3.05		
	18.0	4.68	2.36	5.66	2.48	6.64											

4 Capacity tables

4 - 3 Heating capacity tables

3MXS68G

★ Heating (50Hz 230V)

Combination (Capacity)	Indoor air temp. °CDB	Outdoor air temp.: °CWB													
		-15°C		-10°C		-5°C		0°C		6°C		10°C		15°C	
		TC kW	PI kW	TC kW	PI kW	TC kW	PI kW	TC kW	PI kW	TC kW	PI kW	TC kW	PI kW	TC kW	PI kW
2.5+4.2	16.0	4.49	2.48	5.95	2.61	6.96	2.74	7.97	2.86	9.18	3.01	9.98	3.12	10.99	3.24
	18.0	4.82	2.51	5.83	2.64	6.83	2.76	7.84	2.89	9.05	3.04	9.86	3.14	10.87	3.27
	20.0	4.69	2.54	5.70	2.67	6.71	2.79	7.72	2.92	8.93	3.07	9.47	3.17	10.75	3.30
	21.0	4.63	2.55	5.64	2.68	6.65	2.81	7.66	2.93	8.87	3.08	9.68	3.18	10.64	3.28
	22.0	4.57	2.57	5.58	2.69	6.59	2.82	7.60	2.95	8.81	3.10	9.61	3.20	10.34	3.13
	24.0	4.45	2.59	5.46	2.72	6.47	2.85	7.47	2.97	8.68	3.13	9.49	3.23	9.75	2.85
2.5+5.0	16.0	5.68	2.72	6.84	2.86	8.00	3.00	9.16	3.13	10.55	3.30	11.48	3.41	12.64	3.55
	18.0	5.54	2.75	6.70	2.89	7.86	3.03	9.02	3.16	10.41	3.33	11.34	3.44	12.50	3.58
	20.0	5.40	2.78	6.56	2.92	7.72	3.06	8.88	3.19	10.27	3.36	11.20	3.47	11.91	3.31
	21.0	5.33	2.79	6.49	2.93	7.65	3.07	8.81	3.21	10.20	3.38	11.13	3.49	11.59	3.17
	22.0	5.26	2.81	6.42	2.95	7.58	3.09	8.74	3.22	10.13	3.39	11.06	3.50	11.26	3.03
	24.0	5.12	2.84	6.28	2.98	7.44	3.12	8.59	3.25	9.99	3.42	10.62	3.31	10.62	2.76
2.5+6.0	16.0	5.79	2.44	6.97	2.56	8.15	2.68	9.33	2.81	10.75	2.96	11.69	3.05	12.87	3.18
	18.0	5.64	2.46	6.82	2.59	8.01	2.71	9.19	2.83	10.60	2.98	11.55	3.08	12.73	3.21
	20.0	5.50	2.49	6.68	2.61	7.86	2.74	9.04	2.86	10.46	3.01	11.40	3.11	12.59	3.23
	21.0	5.43	2.50	6.61	2.63	7.79	2.75	8.97	2.87	10.39	3.02	11.33	3.12	12.51	3.25
	22.0	5.35	2.52	6.54	2.64	7.72	2.76	8.90	2.89	10.32	3.04	11.26	3.14	12.44	3.26
	24.0	5.21	2.54	6.39	2.67	7.57	2.79	8.75	2.92	10.17	3.06	11.12	3.16	12.30	3.29
3.5+3.5	16.0	4.99	2.52	6.01	2.64	7.08	2.77	8.05	2.90	9.27	3.05	10.08	3.16	11.10	3.28
	18.0	4.87	2.54	5.89	2.67	6.90	2.80	7.92	2.93	9.14	3.08	9.96	3.18	10.98	3.31
	20.0	4.74	2.57	5.76	2.70	6.78	2.83	7.80	2.96	9.02	3.11	9.83	3.21	10.85	3.34
	21.0	4.68	2.59	5.70	2.71	6.72	2.84	7.74	2.97	8.96	3.12	9.77	3.23	10.79	3.35
	22.0	4.62	2.60	5.64	2.73	6.65	2.86	7.67	2.98	8.90	3.14	9.71	3.24	10.51	3.21
	24.0	4.49	2.63	5.51	2.76	6.53	2.88	7.55	3.01	8.77	3.17	9.59	3.27	9.90	2.92
3.5+4.2	16.0	5.04	2.56	6.07	2.69	7.10	2.82	8.13	2.95	9.36	3.10	10.18	3.21	11.21	3.34
	18.0	4.92	2.58	5.94	2.72	6.97	2.85	8.00	2.98	9.24	3.13	10.06	3.24	11.09	3.37
	20.0	4.79	2.61	5.82	2.74	6.85	2.87	7.88	3.00	9.11	3.16	9.93	3.26	10.96	3.39
	21.0	4.73	2.63	5.76	2.76	6.78	2.89	7.81	3.02	9.05	3.17	9.87	3.28	10.81	3.34
	22.0	4.66	2.64	5.69	2.77	6.72	2.90	7.75	3.03	8.98	3.19	9.81	3.29	10.51	3.19
	24.0	4.54	2.67	5.57	2.80	6.60	2.93	7.62	3.06	8.86	3.22	9.68	3.32	9.90	2.90
3.5+5.0	16.0	5.80	2.75	6.98	2.89	8.17	3.03	9.35	3.17	10.77	3.34	11.72	3.45	12.90	3.59
	18.0	5.65	2.78	6.84	2.92	8.02	3.06	9.20	3.20	10.62	3.37	11.57	3.48	12.73	3.61
	20.0	5.51	2.81	6.69	2.95	7.88	3.09	9.06	3.23	10.48	3.40	11.43	3.51	12.08	3.30
	21.0	5.44	2.83	6.62	2.97	7.80	3.11	8.99	3.25	10.41	3.42	11.35	3.53	11.75	3.16
	22.0	5.37	2.84	6.55	2.98	7.73	3.12	8.92	3.26	10.34	3.43	11.28	3.54	11.43	3.02
	24.0	5.22	2.87	6.40	3.01	7.59	3.15	8.77	3.29	10.19	3.46	10.77	3.31	10.77	2.75
3.5+6.0	16.0	5.86	2.43	7.06	2.55	8.25	2.67	9.45	2.80	10.88	2.95	11.84	3.04	13.03	3.17
	18.0	5.71	2.45	6.91	2.58	8.11	2.70	9.30	2.82	10.74	2.97	11.69	3.07	12.89	3.20
	20.0	5.57	2.48	6.76	2.60	7.96	2.73	9.16	2.85	10.59	3.00	11.55	3.10	12.74	3.22
	21.0	5.49	2.49	6.69	2.62	7.89	2.74	9.08	2.87	10.52	3.01	11.47	3.11	12.67	3.24
	22.0	5.42	2.51	6.62	2.63	7.81	2.76	9.01	2.88	10.44	3.03	11.40	3.13	12.60	3.25
	24.0	5.28	2.54	6.47	2.66	7.67	2.78	8.86	2.91	10.30	3.05	11.25	3.15	12.45	3.28

Combination (Capacity)	Indoor air temp. °CDB	Outdoor air temp.: °CWB													
		-15°C		-10°C		-5°C		0°C		6°C		10°C		15°C	
		TC kW	PI kW	TC kW	PI kW	TC kW	PI kW	TC kW	PI kW	TC kW	PI kW	TC kW	PI kW	TC kW	PI kW
4.2+4.2	16.0	5.09	2.59	6.12	2.72	7.16	2.85	8.20	2.98	9.44	3.14	10.27	3.25	11.31	3.38
	18.0	4.96	2.62	6.00	2.75	7.03	2.88	8.07	3.01	9.32	3.17	10.15	3.28	11.18	3.41
	20.0	4.83	2.65	5.87	2.78	6.91	2.91	7.94	3.04	9.19	3.20	10.02	3.31	11.06	3.44
	21.0	4.77	2.66	5.81	2.79	6.84	2.92	7.88	3.06	9.13	3.21	9.96	3.32	10.81	3.32
	22.0	4.70	2.68	5.74	2.81	6.78	2.94	7.82	3.07	9.06	3.23	9.89	3.33	10.51	3.17
	24.0	4.58	2.70	5.62	2.84	6.65	2.97	7.69	3.10	8.94	3.26	9.77	3.36	9.90	2.88
4.2+5.0	16.0	5.80	2.81	6.99	2.95	8.17	3.09	9.36	3.24	10.78	3.41	11.73	3.52	12.91	3.66
	18.0	5.66	2.84	6.84	2.98	8.03	3.12	9.21	3.27	10.63	3.44	11.58	3.55	12.73	3.67
	20.0	5.52	2.87	6.70	3.01	7.88	3.16	9.07	3.30	10.49	3.47	11.44	3.58	12.08	3.36
	21.0	5.44	2.89	6.63	3.03	7.81	3.17	9.00	3.31	10.42	3.49	11.37	3.60	11.75	3.21
	22.0	5.37	2.90	6.55	3.04	7.74	3.19	8.92	3.33	10.35	3.50	11.29	3.62	11.43	3.07
	24.0	5.23	2.93	6.41	3.08	7.59	3.22	8.78	3.36	10.20	3.53	10.77	3.37	10.77	2.79
4.2+6.0	16.0	5.87	2.45	7.06	2.58	8.26	2.70	9.46	2.83	10.89	2.98	11.85	3.08	13.05	3.20
	18.0	5.72	2.48	6.92	2.60	8.11	2.73	9.31	2.85	10.75	3.00	11.70	3.10	12.90	3.23
	20.0	5.57	2.51	6.77	2.63	7.97	2.76	9.16	2.88	10.60	3.03	11.56	3.13	12.75	3.25
	21.0	5.50	2.52	6.70	2.64	7.89	2.77	9.09	2.89	10.53	3.04	11.48	3.14	12.68	3.27
	22.0	5.43	2.53	6.62	2.66	7.82	2.78	9.02	2.91	10.45	3.06	11.41	3.16	12.61	3.28
	24.0	5.28	2.56	6.48	2.69	7.67	2.81	8.87	2.93	10.31	3.08	11.26	3.18	12.46	3.31
5.0+5.0	16.0	5.90	2.73	7.11	2.87	8.31	3.01	9.52	3.15	10.96	3.32	11.93	3.43	13.13	3.57
	18.0	5.76	2.76	6.96	2.90	8.17	3.04	9.37	3.18	10.82	3.35	11.78	3.46	12.99	3.60
	20.0	5.61	2.80	6.81	2.93	8.02	3.07	9.22	3.21	10.67	3.38	11.63	3.49	12.84	3.63
	21.0	5.54	2.81	6.74	2.95	7.95	3.09	9.15	3.23	10.60	3.40	11.56	3.51	12.70	3.60
	22.0	5.46	2.83	6.67	2.97	7.87	3.10	9.08	3.24	10.52	3.41	11.49	3.52	12.35	3.43
	24.0	5.32	2.86	6.52	3.00	7.72	3.13	8.93	3.27	10.38	3.44	11.34	3.55	11.64	3.11
5.0+6.0	16.0	5.90	2.39	7.10	2.52	8.31	2.64	9.51	2.76	10.95	2.91	11.92	3.00	13.12	3.13
	18.0	5.75	2.42	6.96	2.54	8.16	2.67	9.36	2.79	10.81	2.93	11.77	3.03	12.97	3.15
	20.0	5.60	2.45	6.81	2.57	8.01	2.69	9.22	2.81	10.66	2.96	11.62	3.06	12.83	3.18
	21.0	5.53	2.46	6.73	2.58	7.94	2.71	9.14	2.83	10.59	2.97	11.55	3.07	12.75	3.19
	22.0	5.46	2.47	6.66	2.60	7.86	2.72	9.07	2.84	10.51	2.99	11.48	3.08	12.68	3.21
	24.0	5.31	2.50	6.51	2.62	7.72	2.75	8.92	2.87	10.37	3.01	11.33	3.11	12.53	3.23
2.0+2.0+2.0	16.0	5.56	2.18	6.69	2.30	7.82	2.41	8.96	2.52	10.32	2.65	11.22	2.74	12.36	2.85
	18.0	5.42	2.21	6.55	2.32	7.68	2.43	8.82	2.54	10.18	2.68	11.09	2.76	12.22	2.88
	20.0	5.28	2.23	6.41	2.34	7.55	2.46	8.68	2.57	10.04	2.70	10.95	2.79	12.08	2.90
	21.0	5.21	2.25	6.34	2.36	7.48	2.47	8.61	2.58	9.97	2.71	10.88	2.80	12.01	2.91
	22.0	5.14	2.26	6.27	2.37	7.41	2.48	8.54	2.59	9.90	2.72	10.81	2.81	11.94	2.92
	24.0	5.00	2.28	6.13	2.39	7.27	2.50	8.40	2.62	9.76	2.75	10.67	2.84	11.80	2.95
2.0+2.0+2.5	16.0	5.60	2.2												

4 Capacity tables

4 - 3 Heating capacity tables

3MXS68G

★ Heating (50Hz 230V)

Combination (Capacity)	Indoor air temp. °CDB	Outdoor air temp.: °CWB															
		-15°C		-10°C		-5°C		0°C		6°C		10°C		15°C			
		TC kW	PI kW	TC kW	PI kW	TC kW	PI kW	TC kW	PI kW	TC kW	PI kW	TC kW	PI kW	TC kW	PI kW		
2.0+2.0+3.5	16.0	5.66	2.33	6.81	2.45	7.96	2.57	9.12	2.69	10.50	2.83	11.43	2.92	12.58	3.04		
	18.0	5.51	2.36	6.67	2.47	7.82	2.59	8.98	2.71	10.36	2.85	11.28	2.95	12.44	3.07		
	20.0	5.37	2.38	6.53	2.50	7.68	2.62	8.84	2.74	10.22	2.88	11.14	2.97	12.30	3.09		
	21.0	5.30	2.39	6.46	2.51	7.61	2.63	8.76	2.75	10.15	2.89	11.07	2.99	12.23	3.11		
	22.0	5.23	2.41	6.39	2.53	7.54	2.65	8.69	2.76	10.08	2.91	11.00	3.00	12.16	3.12		
	24.0	5.09	2.43	6.24	2.55	7.40	2.67	8.55	2.79	9.94	2.93	10.86	3.03	12.02	3.15		
2.0+2.0+4.2	16.0	5.66	2.33	6.81	2.45	7.96	2.57	9.12	2.69	10.50	2.83	11.43	2.92	12.58	3.04		
	18.0	5.51	2.36	6.67	2.47	7.82	2.59	8.98	2.71	10.36	2.85	11.28	2.95	12.44	3.07		
	20.0	5.37	2.38	6.53	2.50	7.68	2.62	8.84	2.74	10.22	2.88	11.14	2.97	12.30	3.09		
	21.0	5.30	2.39	6.46	2.51	7.61	2.62	8.76	2.75	10.15	2.89	11.07	2.99	12.23	3.11		
	22.0	5.23	2.41	6.39	2.53	7.54	2.65	8.69	2.76	10.08	2.91	11.00	3.00	12.16	3.12		
	24.0	5.09	2.43	6.24	2.55	7.40	2.67	8.55	2.79	9.94	2.93	10.86	3.03	12.02	3.15		
2.0+2.0+5.0	16.0	5.75	2.39	6.93	2.52	8.10	2.64	9.28	2.76	10.69	2.91	11.63	3.00	12.80	3.13		
	18.0	5.61	2.42	6.79	2.54	7.96	2.67	9.13	2.79	10.54	2.93	11.48	3.03	12.66	3.15		
	20.0	5.47	2.45	6.64	2.57	7.82	2.69	8.99	2.81	10.40	2.96	11.34	3.06	12.51	3.18		
	21.0	5.40	2.46	6.57	2.58	7.74	2.71	8.92	2.83	10.33	2.97	11.27	3.07	12.44	3.19		
	22.0	5.32	2.47	6.50	2.60	7.67	2.72	8.85	2.84	10.26	2.99	11.20	3.08	12.37	3.21		
	24.0	5.18	2.50	6.35	2.62	7.53	2.75	8.70	2.87	10.11	3.01	11.05	3.11	12.23	3.23		
2.0+2.0+6.0	16.0	5.83	2.16	7.02	2.27	8.20	2.33	9.39	2.49	10.82	2.62	11.77	2.71	12.96	2.82		
	18.0	5.68	2.18	6.87	2.29	8.06	2.40	9.25	2.51	10.68	2.65	11.63	2.73	12.82	2.84		
	20.0	5.54	2.21	6.73	2.32	7.91	2.43	9.10	2.54	10.53	2.67	11.48	2.76	12.67	2.87		
	21.0	5.46	2.22	6.65	2.33	7.84	2.44	9.03	2.55	10.46	2.68	11.41	2.77	12.60	2.88		
	22.0	5.39	2.23	6.58	2.34	7.77	2.45	8.96	2.56	10.38	2.69	11.34	2.78	12.52	2.89		
	24.0	5.25	2.26	6.43	2.37	7.62	2.48	8.81	2.59	10.24	2.72	11.19	2.81	12.38	2.92		
2.0+2.5+2.5	16.0	5.61	2.30	6.75	2.41	7.89	2.53	9.04	2.65	10.41	2.79	11.32	2.88	12.47	3.00		
	18.0	5.47	2.32	6.61	2.44	7.75	2.56	8.90	2.67	10.27	2.81	11.18	2.91	12.33	3.02		
	20.0	5.33	2.35	6.47	2.47	7.61	2.58	8.76	2.70	10.13	2.84	11.05	2.93	12.19	3.05		
	21.0	5.26	2.34	6.40	2.48	7.54	2.60	8.69	2.71	10.06	2.85	10.98	2.95	12.12	3.06		
	22.0	5.19	2.37	6.33	2.49	7.47	2.61	8.62	2.73	9.99	2.87	10.91	2.96	12.05	3.08		
	24.0	5.05	2.40	6.19	2.52	7.33	2.63	8.48	2.75	9.85	2.89	10.77	2.98	11.91	3.10		
2.0+2.5+3.5	16.0	5.66	2.33	6.81	2.45	7.96	2.57	9.12	2.69	10.50	2.83	11.43	2.92	12.58	3.04		
	18.0	5.51	2.36	6.67	2.47	7.82	2.59	8.98	2.71	10.36	2.85	11.28	2.95	12.44	3.07		
	20.0	5.37	2.38	6.53	2.50	7.68	2.62	8.84	2.74	10.22	2.88	11.14	2.97	12.30	3.09		
	21.0	5.30	2.39	6.46	2.51	7.61	2.63	8.76	2.75	10.15	2.89	11.07	2.99	12.23	3.11		
	22.0	5.23	2.41	6.39	2.53	7.54	2.65	8.69	2.76	10.08	2.91	11.00	3.00	12.16	3.12		
	24.0	5.09	2.43	6.24	2.55	7.40	2.67	8.55	2.79	9.94	2.93	10.86	3.03	12.02	3.15		
2.0+2.5+4.2	16.0	5.66	2.32	6.82	2.44	7.97	2.56	9.13	2.68	10.51	2.82	11.44	2.91	12.59	3.03		
	18.0	5.52	2.35	6.67	2.47	7.83	2.58	8.99	2.70	10.37	2.84	11.30	2.94	12.45	3.06		
	20.0	5.38	2.37	6.53	2.49	7.69	2.61	8.84	2.73	10.213	2.87	11.15	2.96	12.31	3.08		
	21.0	5.31	2.39	6.46	2.50	7.62	2.62	8.77	2.74	10.16	2.88	11.08	2.98	12.24	3.10		
	22.0	5.24	2.40	6.39	2.52	7.55	2.64	8.70	2.75	10.09	2.90	11.01	2.99	12.17	3.11		
	24.0	5.10	2.43	6.25	2.54	7.41	2.66	8.56	2.78	9.95	2.92	10.87	3.02	12.03	3.13		

Combination (Capacity)	Indoor air temp. °CDB	Outdoor air temp.: °CWB															
		-15°C		-10°C		-5°C		0°C		6°C		10°C		15°C			
		TC kW	PI kW	TC kW	PI kW	TC kW	PI kW	TC kW	PI kW	TC kW	PI kW	TC kW	PI kW	TC kW	PI kW		
2.0+2.5+5.0	16.0	5.88	2.42	7.08	2.54	8.28	2.67	9.48	2.79	10.92	2.94	11.88	3.03	13.08	3.16		
	18.0	5.84	2.45	6.94	2.57	8.14	2.69	9.34	2.82	10.78	2.96	11.74	3.06	12.94	3.18		
	20.0	5.59	2.47	6.79	2.60	7.99	2.72	9.19	2.84	10.62	2.99	11.59	3.09	12.79	3.21		
	21.0	5.52	2.49	6.72	2.61	7.92	2.73	9.12	2.86	10.56	3.00	11.52	3.10	12.72	3.23		
	22.0	5.44	2.50	6.64	2.62	7.84	2.75	9.04	2.87	10.48	3.02	11.44	3.12	12.64	3.24		
	24.0	5.30	2.53	6.50	2.65	7.70	2.77	8.90	2.90	10.34	3.04	11.30	3.14	12.50	3.27		
2.0+2.5+6.0	16.0	5.89	2.14	7.09	2.24	8.29	2.35	9.49	2.46	10.93	2.59	11.89	2.68	13.10	2.79		
	18.0	5.74	2.16	6.94	2.27	8.14	2.38	9.35	2.49	10.79	2.62	11.75	2.70	12.95	2.81		
	20.0	5.59	2.18	6.80	2.29	8.00	2.40	9.20	2.51	10.64	2.64	11.60	2.73	12.80	2.84		
	21.0	5.52	2.20	6.72	2.30	7.92	2.41	9.12	2.52	10.57	2.65	11.53	2.74	12.73	2.85		
	22.0	5.45	2.21	6.65	2.32	7.85	2.42	9.05	2.53	10.49	2.66	11.45	2.75	12.66	2.86		
	24.0	5.30	2.23	6.50	2.34	7.70	2.45	8.90	2.56	10.35	2.69	11.31	2.77	12.51	2.88		
2.0+3.5+3.5	16.0	5.73	2.37	6.90	2.49	8.06	2.61	9.23	2.73	10.64	2.88	11.57	2.97	12.74	3.09		
	18.0	5.58	2.40	6.75	2.52	7.92	2.64	9.09	2.76	10.49	2.90	11.43	3.00	12.60	3.12		
	20.0	5.44	2.42	6.61	2.54	7.78	2.66	8.95	2.79	10.35	2.93	11.28	3.03	12.45	3.15		
	21.0	5.37	2.44	6.54	2.56	7.71	2.68	8.88	2.80	10.28	2.94	11.21	3.04	12.38	3.16		
	22.0	5.30	2.45	6.47	2.57	7.64	2.69	8.80	2.81	10.21	2.96	11.14	3.05	12.31	3.17		
	24.0	5.16	2.48	6.32	2.60	7.49	2.72	8.66	2.84	10.06	2.98	11.00	3.08	12.17	3.20		
2.0+3.5+4.2	16.0	5.73	2.36	6.90	2.48	8.06	2.60	9.23	2.72	10.64	2.87	11.57	2.96	12.74	3.08		
	18.0	5.58	2.39	6.75	2.51	7.92	2.63	9.09	2.75	10.49	2.89	11.43	2.99	12.60	3.11		
	20.0	5.44	2.41	6.61	2.54	7.78	2.66	8.95	2.78	10.35	2.92	11.28	3.02	12.45	3.14		
	21.0	5.37	2.43	6.54	2.55	7.71	2.67	8.88	2.79	10.28	2.93	11.21	3.03	12.38	3.15		
	22.0	5.30	2.44	6.47	2.56	7.64	2.68	8.80	2.80	10.21	2.95	11.14	3.04	12.31	3.16		
	24.0	5.16	2.47	6.32	2.59	7.49	2.71	8.66	2.83	10.06	2.97	11.00	3.09	12.17	3.19		
2.0+3.5+5.0	16.0	5.91	2.48	7.12	2.60	8.32	2.73	9.53	2.85	10.97	3.00	11.94	3.11	13.15	3.23		
	18.0	5.76	2.50	6.97	2.63	8.17	2.76	9.38	2.88	10.83	3.03	11.79	3.13	13.00	3.26		
	20.0	5.61	2.53	6.82	2.66	8.03	2.78	9.23	2.91	10.68	3.06	11.64	3.16	12.85	3.29		
	21.0	5.54	2.54	6.75	2.67	7.95	2.80	9.16									

4 Capacity tables

4 - 3 Heating capacity tables

3MXS68G

★ Heating (50Hz 230V)

Combination (Capacity)	Indoor air temp. °CDB	Outdoor air temp.: °CWB													
		-15°C		-10°C		-5°C		0°C		6°C		10°C		15°C	
		TC kW	PI kW	TC kW	PI kW	TC kW	PI kW	TC kW	PI kW	TC kW	PI kW	TC kW	PI kW	TC kW	PI kW
2.5+2.5+3.5	16.0	5.78	2.39	6.96	2.52	8.14	2.64	9.32	2.76	10.74	2.91	11.68	3.00	12.86	3.13
	18.0	5.64	2.42	6.82	2.54	8.00	2.67	9.18	2.79	10.59	2.93	11.54	3.03	12.72	3.15
	20.0	5.49	2.45	6.67	2.57	7.85	2.69	9.03	2.81	10.45	2.96	11.39	3.06	12.57	3.18
	21.0	5.42	2.46	6.60	2.58	7.78	2.71	8.96	2.83	10.38	2.97	11.32	3.07	12.50	3.19
	22.0	5.35	2.47	6.53	2.60	7.71	2.72	8.89	2.84	10.31	2.99	11.25	3.08	12.43	3.21
	24.0	5.21	2.50	6.39	2.62	7.57	2.75	8.75	2.87	10.16	3.01	11.11	3.11	12.29	3.23
2.5+2.5+4.2	16.0	5.79	2.39	6.97	2.52	8.15	2.64	9.33	2.76	10.75	2.91	11.69	3.00	12.87	3.13
	18.0	5.64	2.42	6.82	2.54	8.01	2.67	9.19	2.79	10.60	2.93	11.55	3.03	12.73	3.15
	20.0	5.50	2.45	6.68	2.57	7.86	2.69	9.4	2.81	10.46	2.96	11.40	3.06	12.59	3.18
	21.0	5.43	2.46	6.61	2.58	7.79	2.71	8.97	2.83	10.39	2.97	11.33	3.07	12.51	3.19
	22.0	5.35	2.47	6.54	2.60	7.72	2.72	8.90	2.84	10.32	2.99	11.26	3.08	12.44	3.21
	24.0	5.21	2.50	6.39	2.62	7.57	2.75	8.75	2.87	10.17	3.01	11.12	3.11	12.30	3.23
2.5+2.5+5.0	16.0	5.89	2.44	7.09	2.57	8.29	2.69	9.49	2.82	10.93	2.97	11.89	3.07	13.10	3.19
	18.0	5.74	2.47	6.94	2.59	8.14	2.72	9.35	2.84	10.79	2.99	11.75	3.09	12.95	3.22
	20.0	5.59	2.50	6.80	2.62	8.00	2.75	9.20	2.87	10.64	3.02	11.60	3.12	12.80	3.24
	21.0	5.52	2.51	6.72	2.64	7.92	2.76	9.12	2.88	10.57	3.03	11.53	3.13	12.73	3.26
	22.0	5.45	2.52	6.65	2.65	7.85	2.77	9.05	2.90	10.49	3.05	11.45	3.15	12.66	3.27
	24.0	5.30	2.55	6.50	2.68	7.70	2.80	8.90	2.93	10.35	3.07	11.31	3.17	12.51	3.30
2.5+2.5+6.0	16.0	5.89	2.44	7.10	2.24	8.30	2.35	9.50	2.46	10.94	2.59	11.91	2.68	13.11	2.79
	18.0	5.75	2.16	6.95	2.27	8.15	2.38	9.35	2.49	10.80	2.62	11.76	2.70	12.96	2.81
	20.0	5.60	2.18	6.80	2.29	8.00	2.40	9.21	2.51	10.65	2.64	11.61	2.73	12.81	2.84
	21.0	5.53	2.20	6.73	2.30	7.93	2.41	9.13	2.52	10.58	2.65	11.64	2.74	12.74	2.85
	22.0	5.45	2.21	6.65	2.32	7.86	2.42	9.06	2.53	10.50	2.66	11.47	2.75	12.67	2.86
	24.0	5.31	2.23	6.51	2.34	7.71	2.45	8.91	2.56	10.36	2.69	11.32	2.77	12.52	2.88
2.5+3.5+3.5	16.0	5.85	2.39	7.05	2.52	8.24	2.64	9.44	2.76	10.87	2.91	11.83	3.00	13.02	3.13
	18.0	5.71	2.42	6.90	2.54	8.10	2.67	9.59	2.79	10.73	2.93	11.68	3.03	12.88	3.15
	20.0	5.56	2.45	6.76	2.57	7.95	2.69	9.15	2.81	10.58	2.96	11.54	3.06	12.73	3.18
	21.0	5.49	2.46	6.68	2.58	7.88	2.71	9.07	2.83	10.51	2.97	11.46	3.07	12.66	3.19
	22.0	5.42	2.47	6.61	2.60	7.81	2.72	9.00	2.84	10.43	2.99	11.39	3.08	12.58	3.21
	24.0	5.27	2.50	6.46	2.63	7.66	2.75	8.85	2.87	10.29	3.01	11.24	3.11	12.44	3.23
2.5+3.5+4.2	16.0	5.86	2.39	7.06	2.51	8.25	2.63	9.45	2.75	10.88	2.90	11.84	2.99	13.03	3.12
	18.0	5.71	2.41	6.91	2.53	8.11	2.66	9.30	2.78	10.74	2.92	11.69	3.02	12.89	3.14
	20.0	5.57	2.44	6.76	2.56	7.96	2.68	9.16	2.80	10.59	2.95	11.55	3.05	12.74	3.17
	21.0	5.49	2.45	6.69	2.57	7.89	2.70	9.08	2.82	10.52	2.96	11.47	3.06	12.67	3.18
	22.0	5.42	2.47	6.62	2.59	7.81	2.71	9.01	2.83	10.44	2.98	11.40	3.07	12.60	3.20
	24.0	5.28	2.49	6.47	2.61	7.67	2.74	8.86	2.86	10.30	3.00	11.25	3.10	12.45	3.22
2.5+3.5+5.0	16.0	5.89	2.41	7.10	2.53	8.30	2.66	9.50	2.78	10.94	2.93	11.91	3.02	13.11	3.15
	18.0	5.75	2.44	6.95	2.56	8.15	2.69	9.35	2.81	10.80	2.95	11.76	3.05	12.96	3.17
	20.0	5.60	2.46	6.80	2.59	8.00	2.71	9.21	2.83	10.65	2.98	11.61	3.08	12.81	3.20
	21.0	5.53	2.48	6.73	2.60	7.93	2.72	9.13	2.85	10.58	2.99	11.54	3.09	12.74	3.21
	22.0	5.45	2.49	6.65	2.61	7.86	2.74	9.06	2.86	10.50	3.01	11.47	3.11	12.67	3.23
	24.0	5.31	2.52	6.51	2.64	7.71	2.76	8.91	2.89	10.36	3.03	11.32	3.13	12.52	3.25

Combination (Capacity)	Indoor air temp. °CDB	Outdoor air temp.: °CWB													
		-15°C		-10°C		-5°C		0°C		6°C		10°C		15°C	
		TC kW	PI kW	TC kW	PI kW	TC kW	PI kW	TC kW	PI kW	TC kW	PI kW	TC kW	PI kW	TC kW	PI kW
2.5+4.2+4.2	16.0	5.86	2.39	7.06	2.51	8.25	2.63	9.45	2.75	10.88	2.90	11.84	2.99	13.03	3.12
	18.0	5.71	2.41	6.91	2.53	8.11	2.66	9.30	2.78	10.74	2.92	11.69	3.02	12.89	3.14
	20.0	5.57	2.44	6.76	2.56	7.96	2.68	9.16	2.80	10.59	2.95	11.55	3.05	12.74	3.17
	21.0	5.49	2.45	6.69	2.57	7.89	2.70	9.08	2.82	10.52	2.96	11.47	3.06	12.67	3.18
	22.0	5.42	2.47	6.62	2.59	7.81	2.71	9.01	2.83	10.44	2.98	11.40	3.07	12.60	3.20
	24.0	5.28	2.49	6.47	2.61	7.67	2.74	8.86	2.86	10.30	3.00	11.25	3.10	12.45	3.22
3.5+3.5+3.5	16.0	5.88	2.45	7.08	2.58	8.28	2.70	9.48	2.83	10.92	2.98	11.88	3.03	13.08	3.20
	18.0	5.74	2.48	6.94	2.60	8.14	2.73	9.34	2.85	10.78	3.00	11.74	3.10	12.94	3.23
	20.0	5.59	2.51	6.79	2.63	7.99	2.76	9.19	2.88	10.63	3.03	11.59	3.13	12.79	3.25
	21.0	5.52	2.52	6.72	2.64	7.92	2.77	9.12	2.89	10.56	3.04	11.52	3.14	12.72	3.27
	22.0	5.44	2.53	6.64	2.66	7.84	2.78	9.04	2.91	10.48	3.06	11.44	3.16	12.64	3.28
	24.0	5.30	2.56	6.50	2.69	7.70	2.81	8.90	2.93	10.34	3.08	11.30	3.18	12.50	3.31

3D059185

SYMBOLS

TC: Total capacity (kW)
PI: Power input (kW)

NOTE

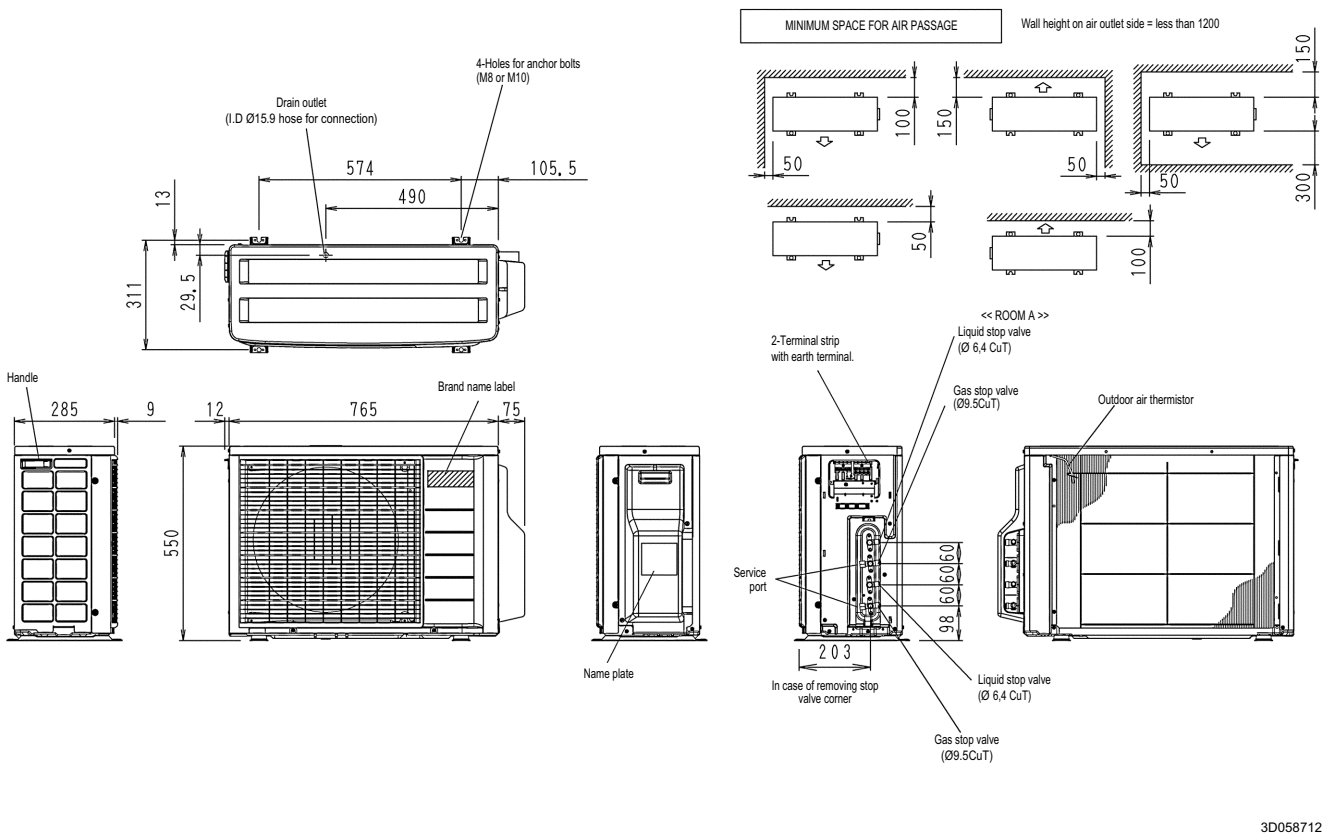
- Capacities are based on the following conditions.
Corresponding refrigerant piping length: 5m
Level difference: 0m
- The bold line [] is indicated the standard condition.
- The above is the value for connecting with the following indoor units.
2.0, 2.5, 3.5, 5.0 kW Class; wall mounted G series
6.0 kW class; wall mounted F series

5 Dimensional drawing & centre of gravity

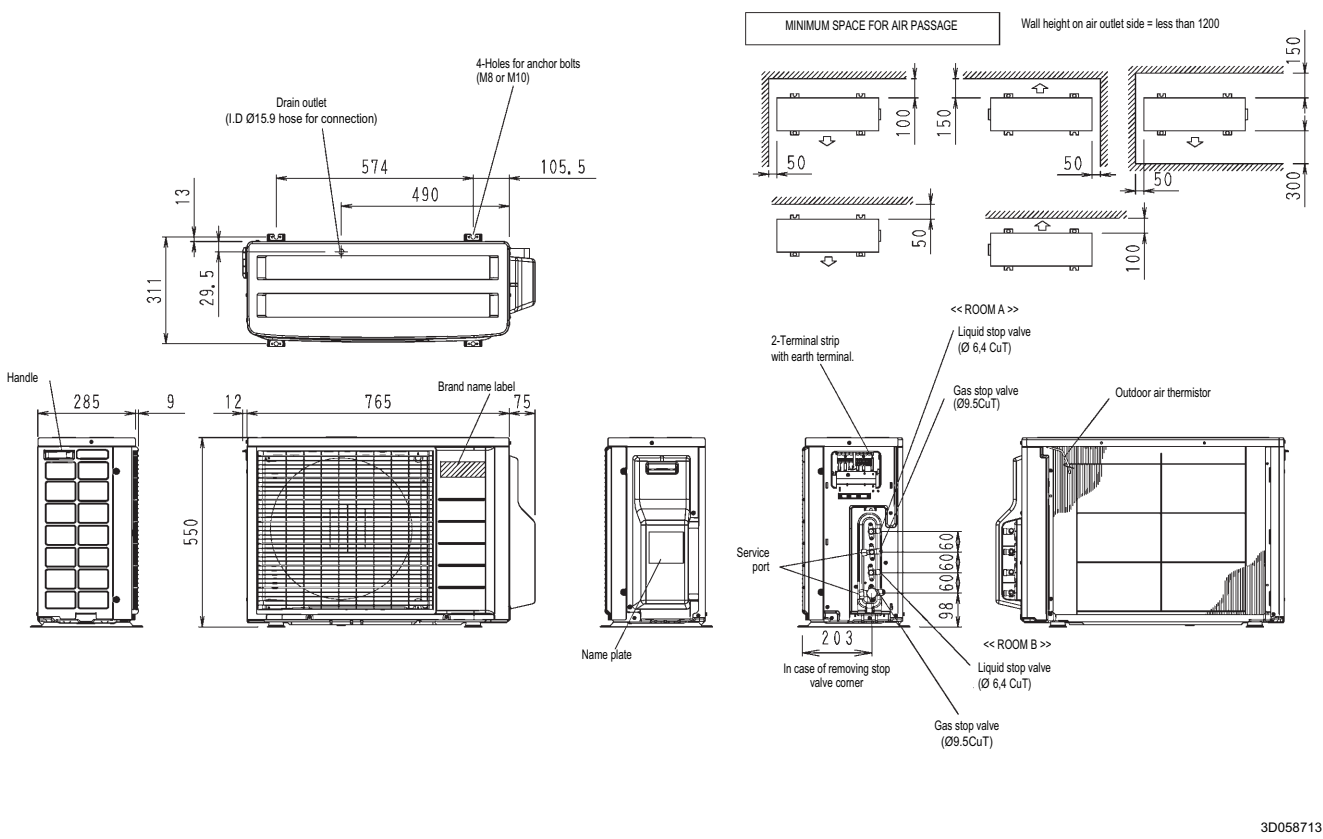
5 - 1 Dimensional drawing

1
5

2MXS40G



2MXS50G



5 Dimensional drawing & centre of gravity

5 - 1 Dimensional drawing

3MXS68G

Minimum space for air passage
Wall height on air outlet side = less than 1200

2-cuts for anchor bolts (M8 or M10)

Drain outlet (M8 or M10) (1.D. Ø 15.9 hose for connection)

2-Ø 12 hole (M8 or M10)

	φ	A
Liquid	φ 6.4	95
Gas	φ 9.5	85
	φ 12.7	76

4-earth terminal

Name plate

4-terminal strip

Interconnecting piping and wiring inlet

Outdoor air thermistor

Liquid stop valve

Service port

Gas stop valve

Installation space for discharge side (mm)

	Dimension A	
H ≤ 1200	350	
H > 1200	600	

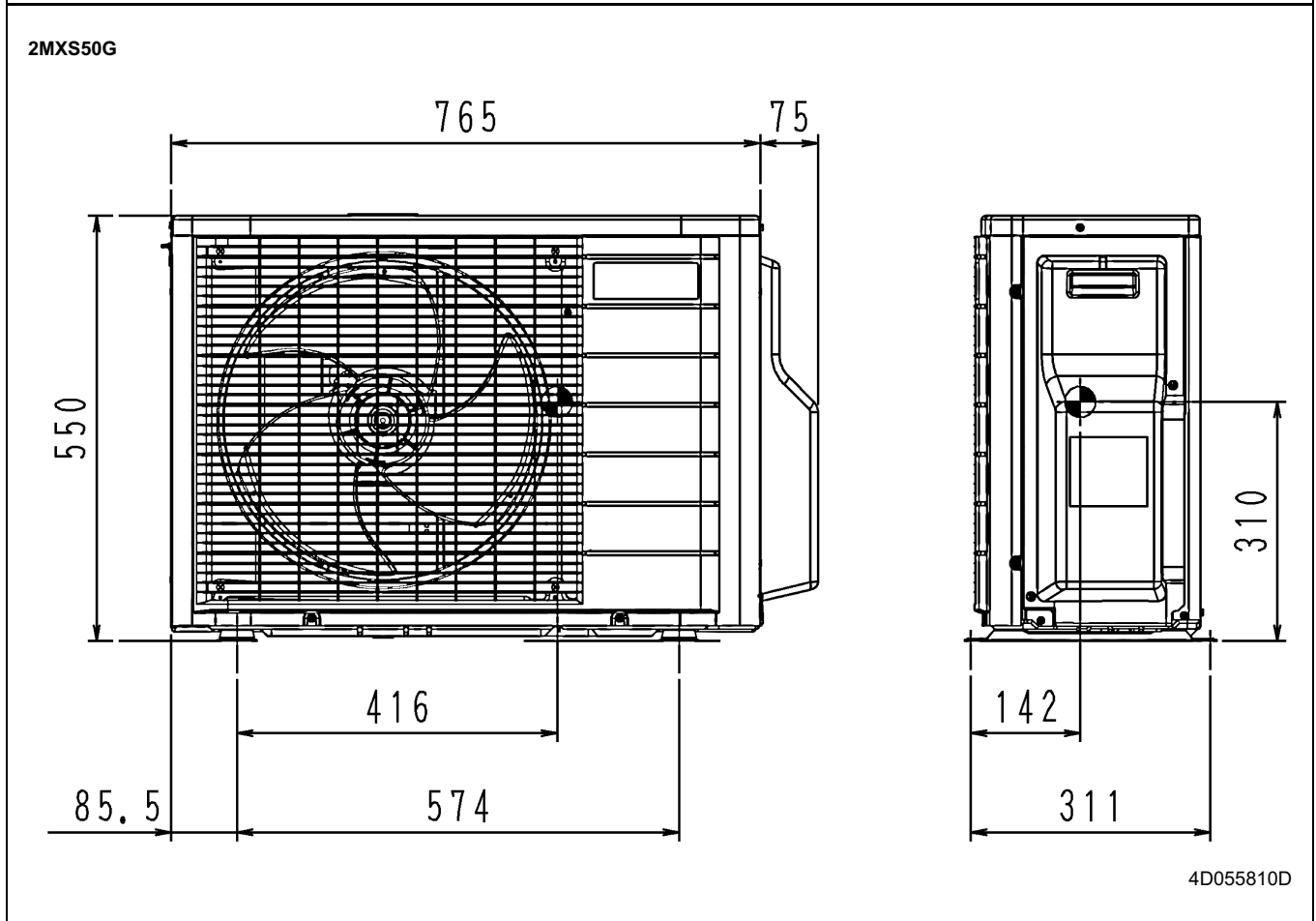
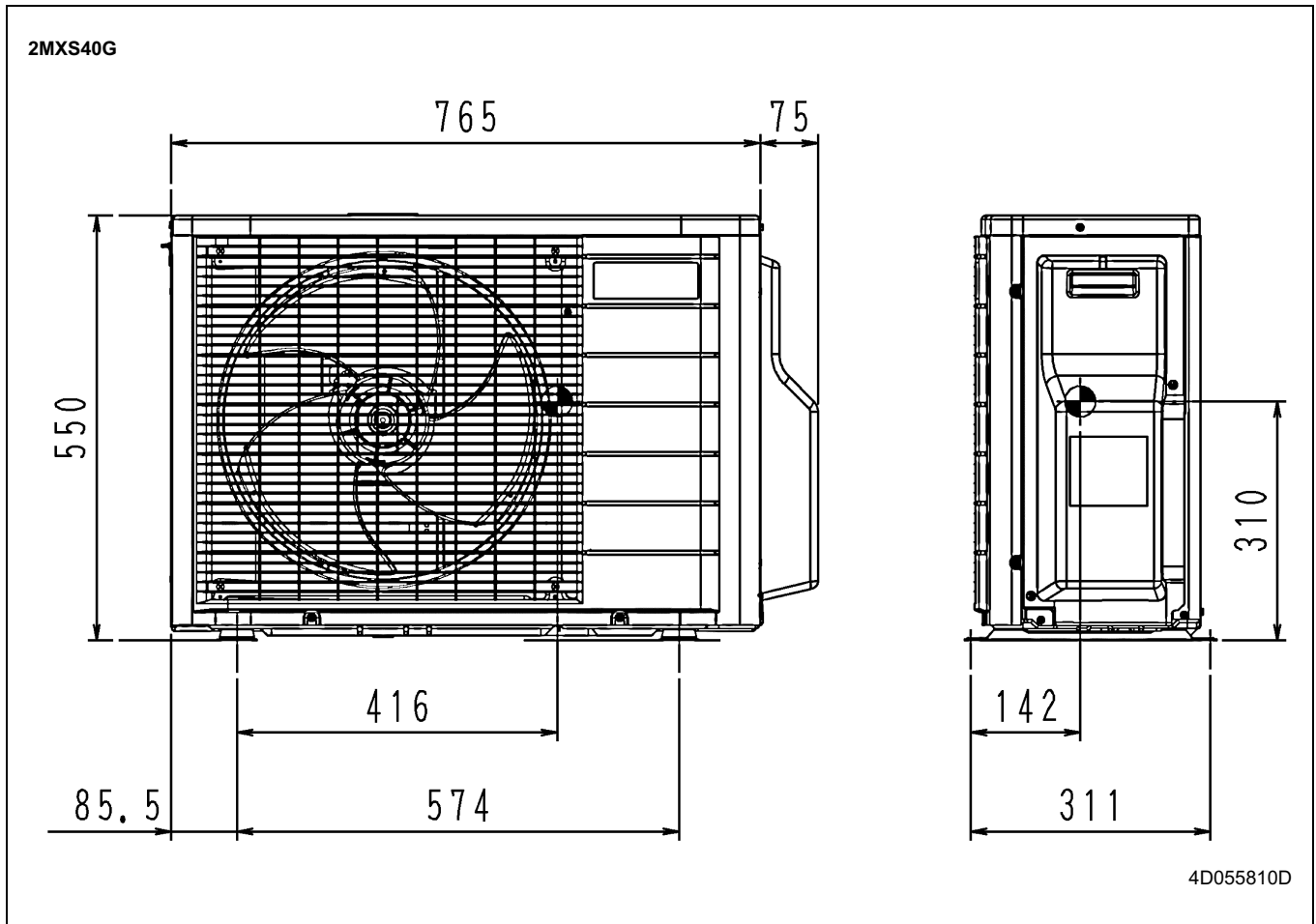
300 or more

3D048711

5 Dimensional drawing & centre of gravity

5 - 2 Centre of gravity

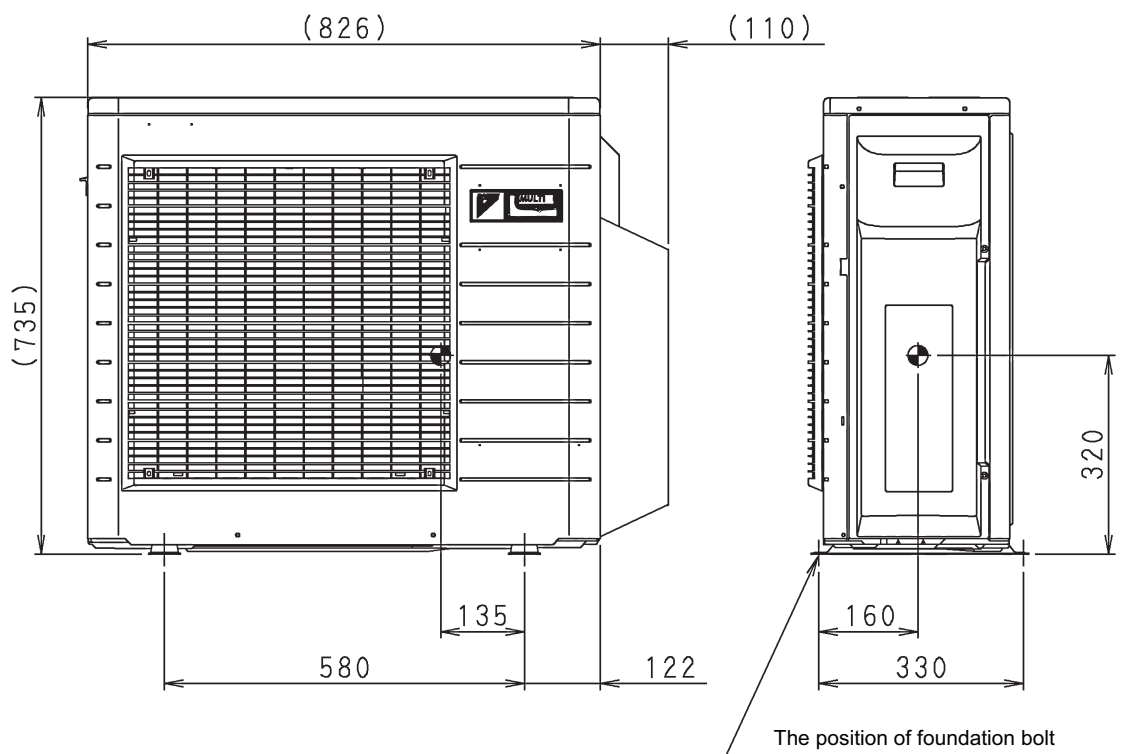
1
5



5 Dimensional drawing & centre of gravity

5 - 2 Centre of gravity

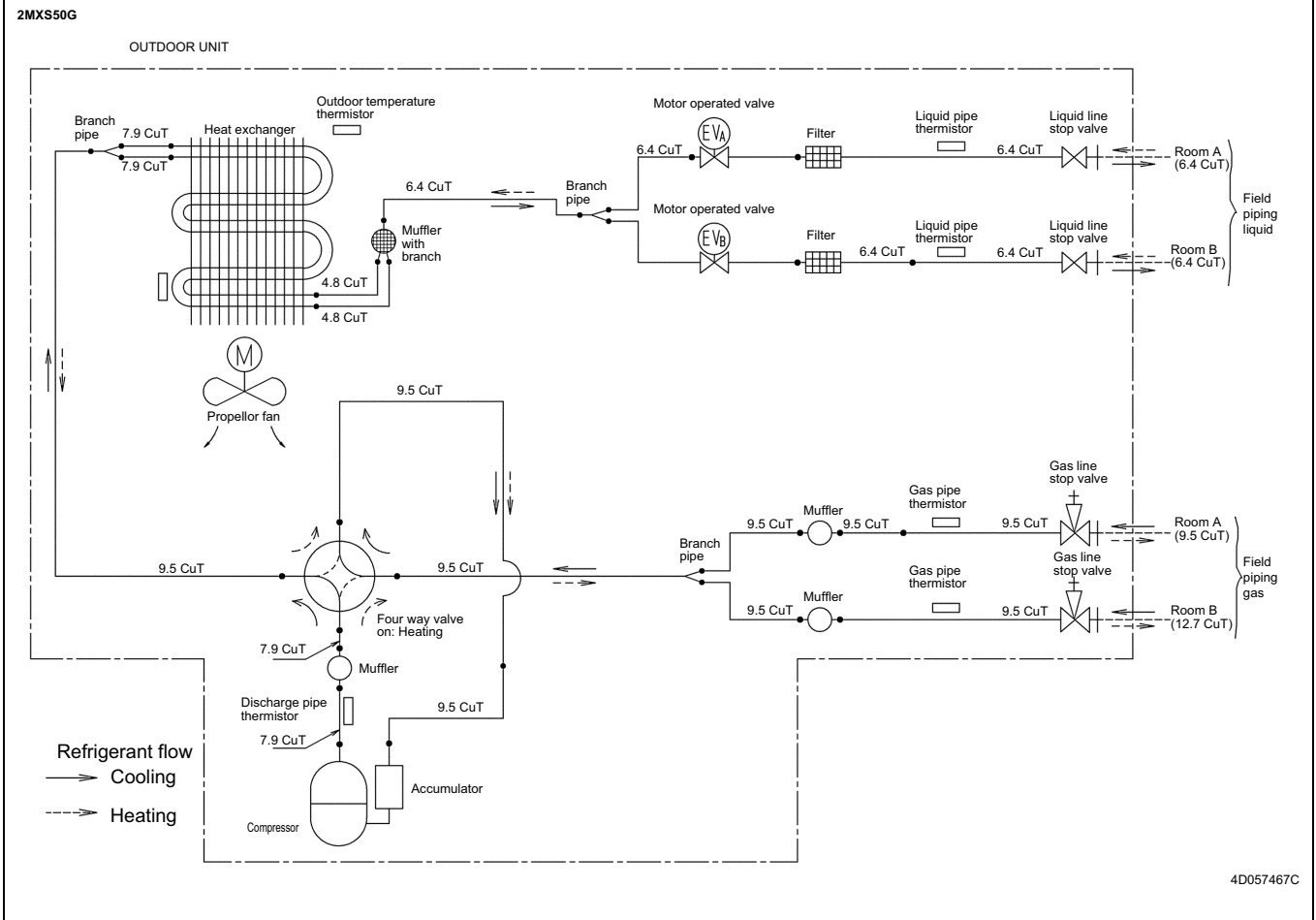
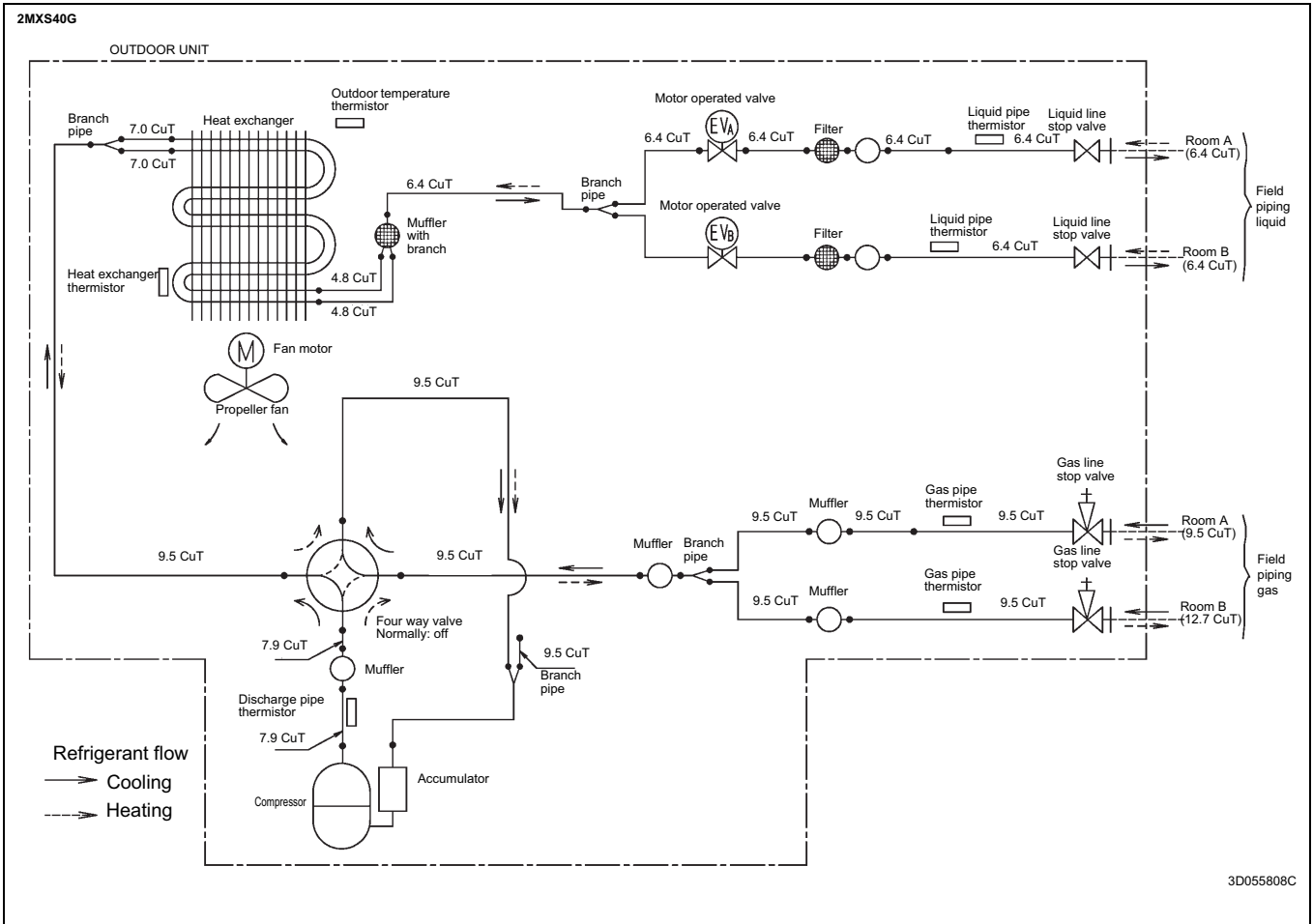
3MXS68G



4D03724N

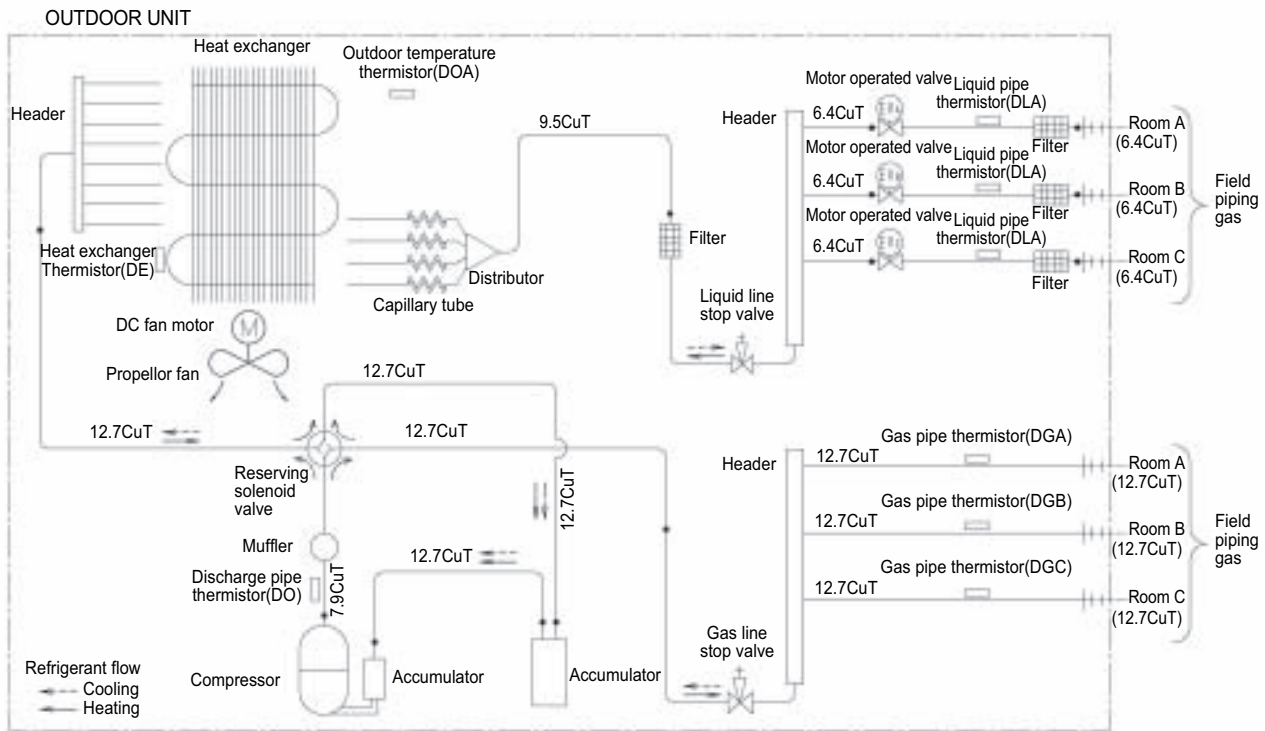
6 Piping diagram

1
6



6 Piping diagram

3MXS68G



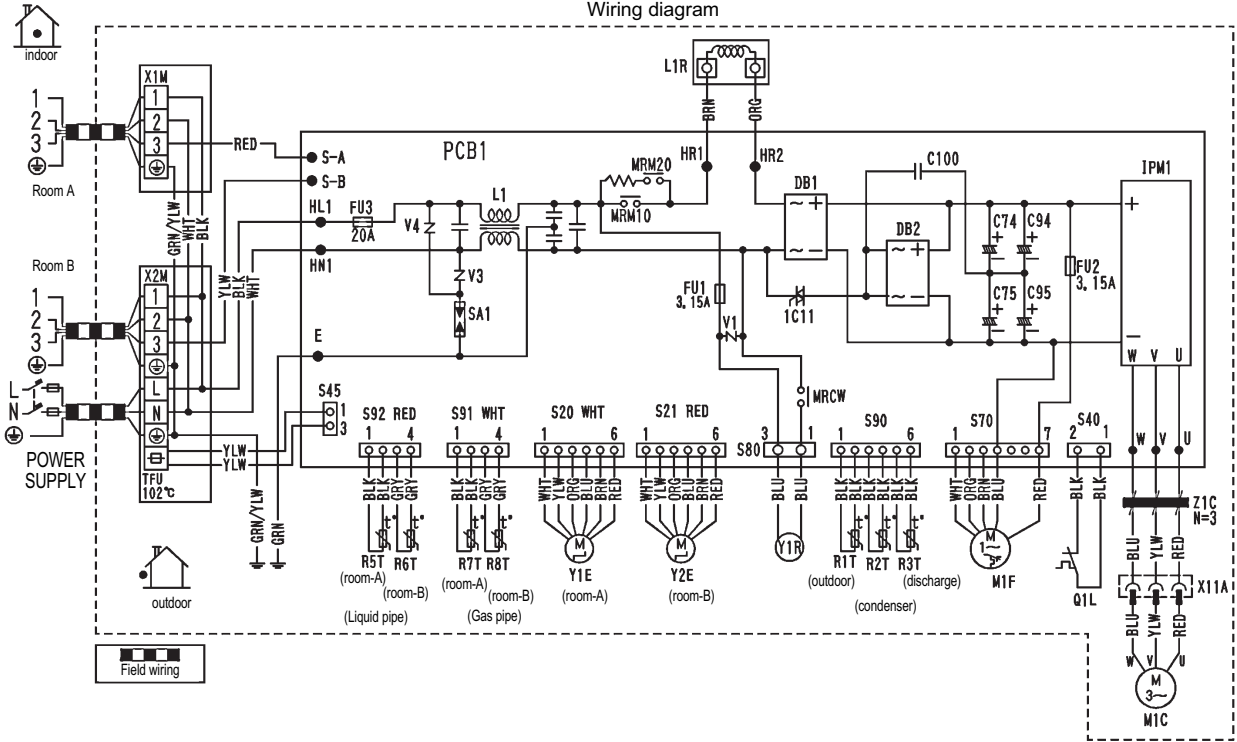
3D058888

7 Wiring diagram

7 - 1 Wiring diagram

2MXS40G

Wiring diagram



C74, C75, C94, C95, C100	Capacitor	M1C	Compressor motor	TFU	Thermal fuse
DB1, DB2	Diode bridge	M1F	Fan motor	V1, V3, V4	Varistor
FU1, FU2, FU3	Fuse	MRCW, MRM10, MRM20	Magnetic relay	X1M, X2M	Terminal strip
IC11	Triac	N	Neutral	Y1E, Y2E	Electronic expansion valve coil
IPM1	Intelligent power module	Z1C	Ferrite core		
L	Live	PCB1	Printed circuit board	S20, S21, S40, S70, S80, S45, S90, S91, S92, X11A	Connector
L1	Coil	Q1L	Overload protector		
L1R	Reactor	R1T-R8T	Thermistor		
		SA1	Surge arrester		

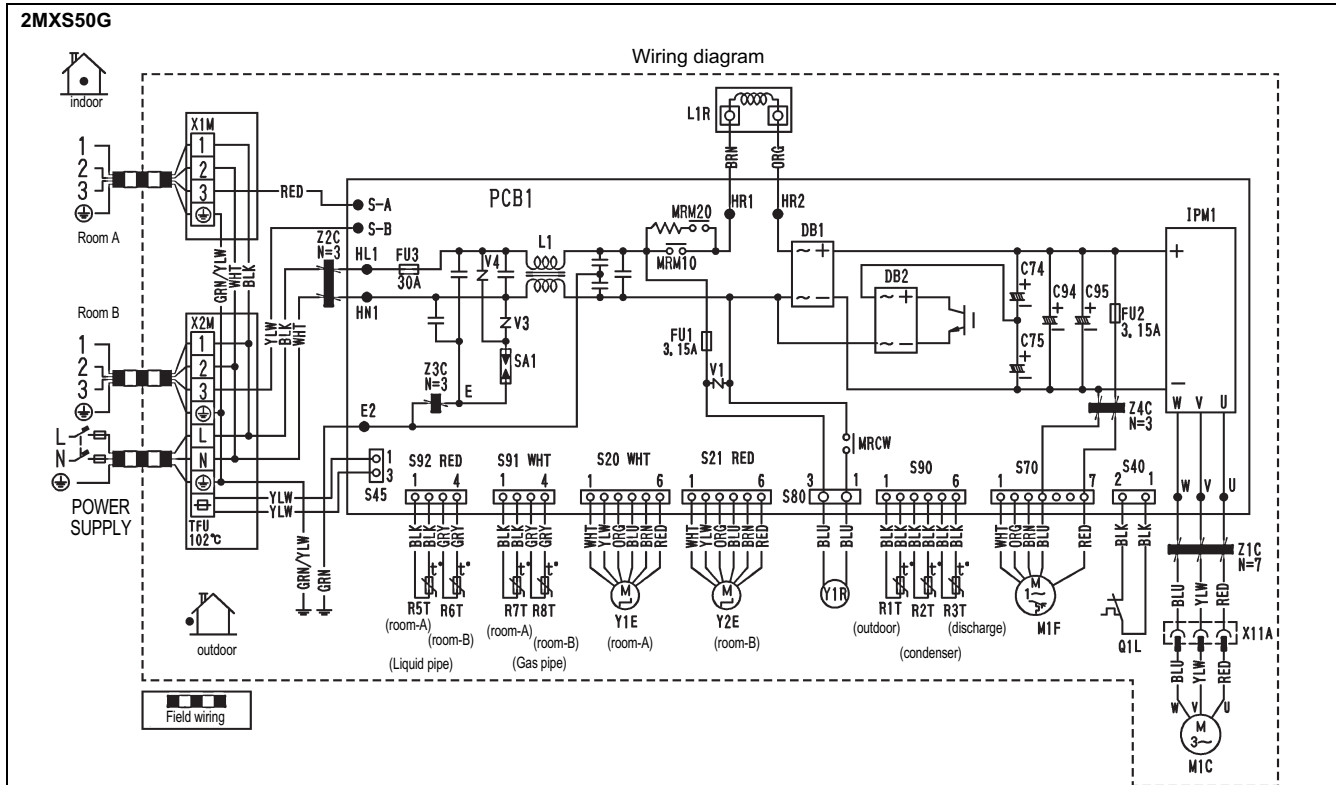
: Field wiring
 : Protective earth

Colors: RED: Red
 BLK: Black
 WHT: White
 YLW: Yellow
 ORG: Orange
 GRY: Gray
 BLU: Blue
 BRN: Brown

3D05486B

7 Wiring diagram

7 - 1 Wiring diagram



C74, C75, C94, C95, C100	Capacitor	M1C	Compressor motor	TFU	Thermal fuse
DB1, DB2	Diode bridge	M1F	Fan motor	V1, V3, V4	Varistor
FU1, FU2, FU3	Fuse	MRCW, MRM10, MRM20	Magnetic relay	X1M, X2M	Terminal strip
IC11	Triac	N	Neutral	Y1E, Y2E	Electronic expansion valve coil
IPM1	Intelligent power module	PCB1	Printed circuit board	Z1C	Ferrite core
L	Live	Q1L	Overload protector	S20, S21, S40, S70, S80, S45, S90, S91, S92, X11A	Connector
L1	Coil	R1T~R8T	Thermistor		
L1R	Reactor	SA1	Surge arrester		

: Field wiring
 : Protective earth

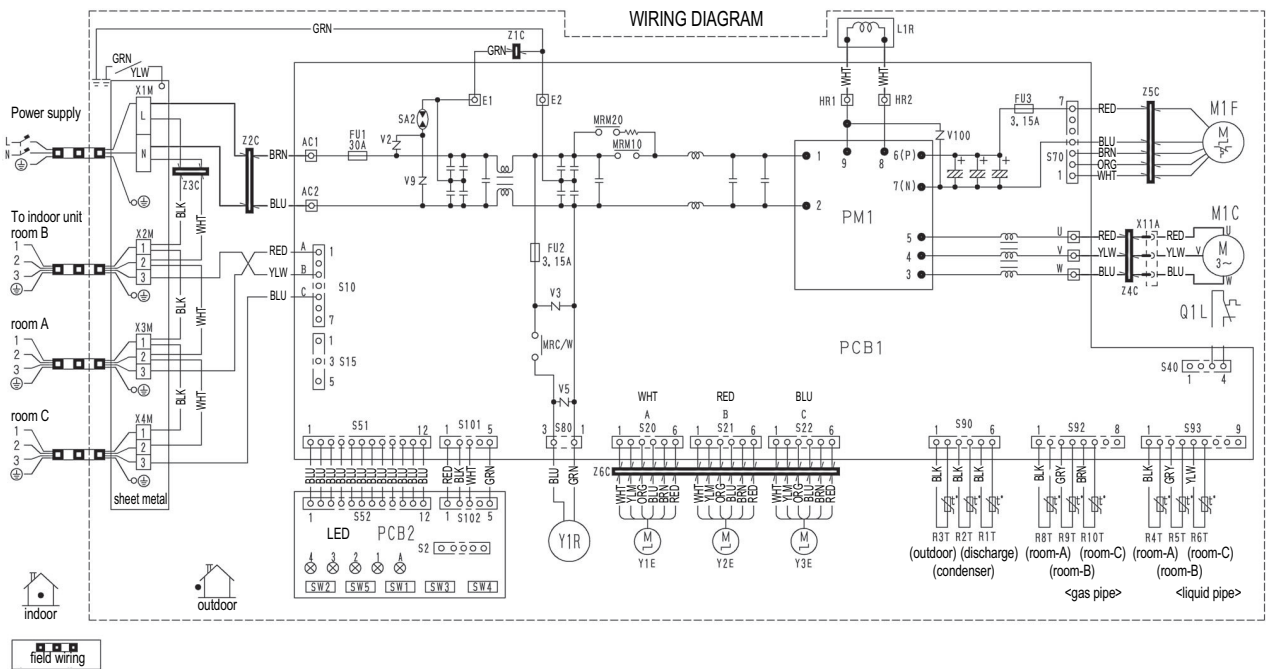
Colors: RED: Red
 BLK: Black
 WHT: White
 YLW: Yellow
 ORG: Orange
 GRY: Gray
 BLU: Blue
 BRN: Brown

3D057045B

7 Wiring diagram

7 - 1 Wiring diagram

3MXS68G



Z1C-Z6C	Ferrite core	R1T-R11T	Thermistor	M1C	Compressor motor
X1M-X5M	Terminal strip	S2-S102	Connector	M1F	Fan motor
Y1E-Y4E	Electronic expansion valve	LED1-LED4, LEDA	Pilot lamp	L1R	Reactor
V2,V3,V5,V9,V100	Varistor	N	Neutral	Q1L	Overload protector
SA2	Surge arrester	SW1	Forced operation on/off sw (SW1)	PM1	Power module
FU1,FU2,FU3	Fuse	SW2	Select SW (SW2)	PCB1,2	Printed circuit board
AC1,AC2,U, V,W,X11A, E1,E2,HR1, HR2	Connector	SW3	Wiring ERROR check SW (SW3)	Y1R	Reversing solenoid valve coil
MRM10,MRM20	Magnetic relay	SW4	Priority room setting SW (SW4)	Sheet metal	Terminal strip fixed plate
		SW5	Night quiet mode setting SW (SW5)		

: Field wiring

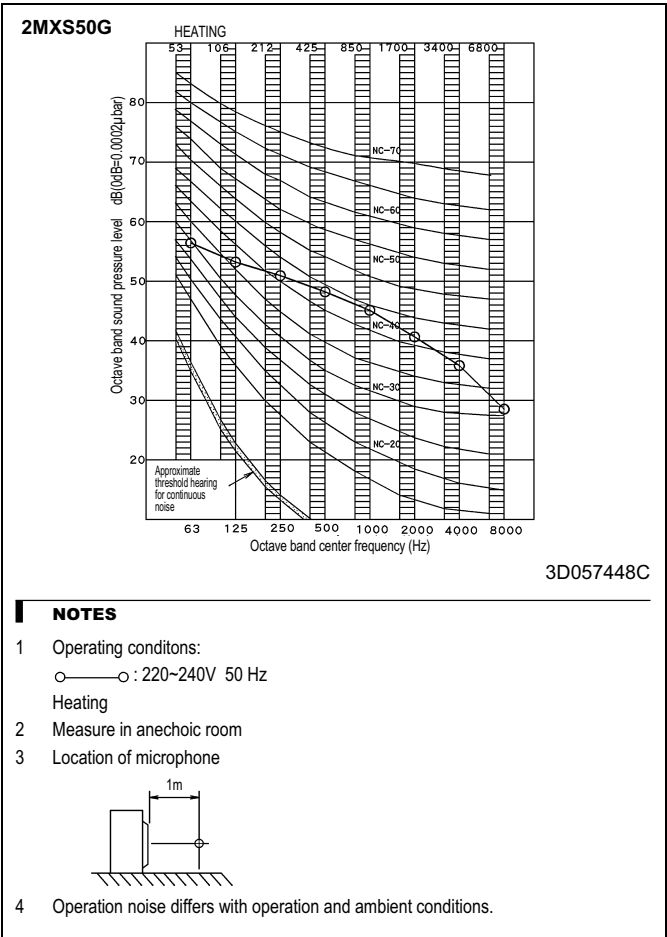
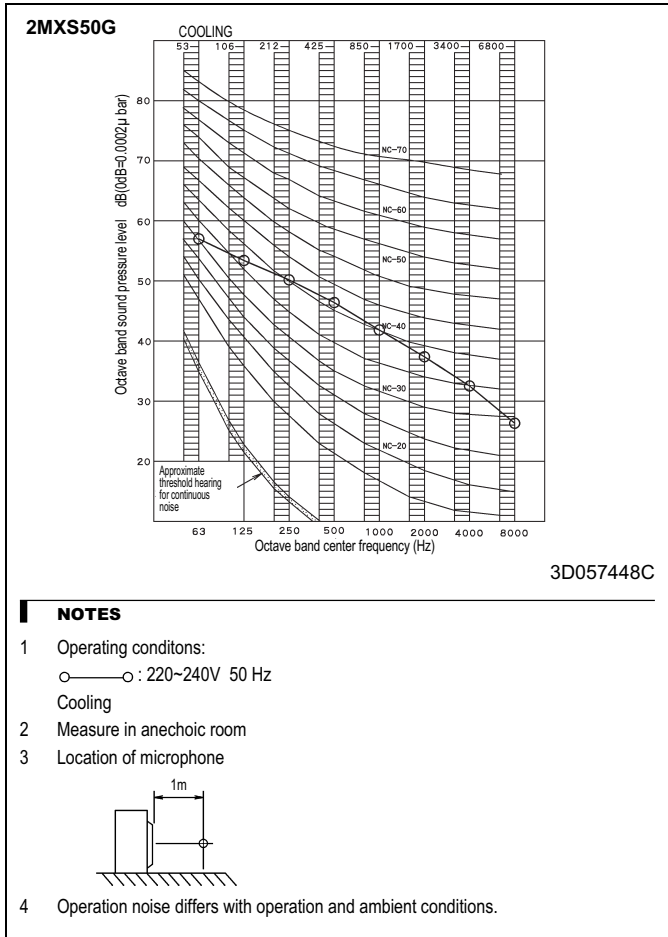
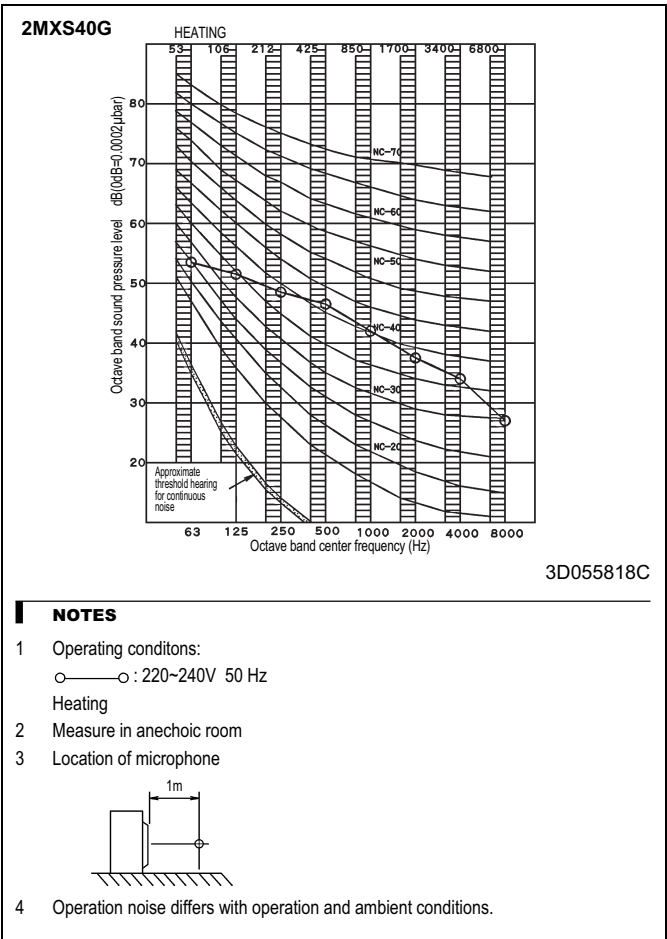
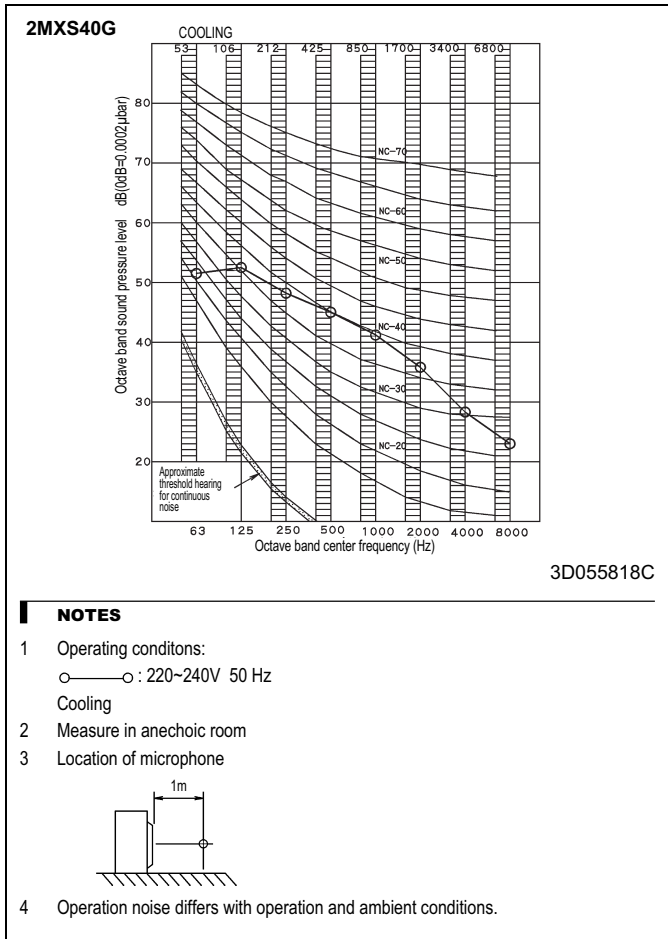
3D058434

NOTES

- 1 Refer to purchasing specification AS303002, unless otherwise specified.
- 2 This drawing was drawn on cad system.

8 Sound data

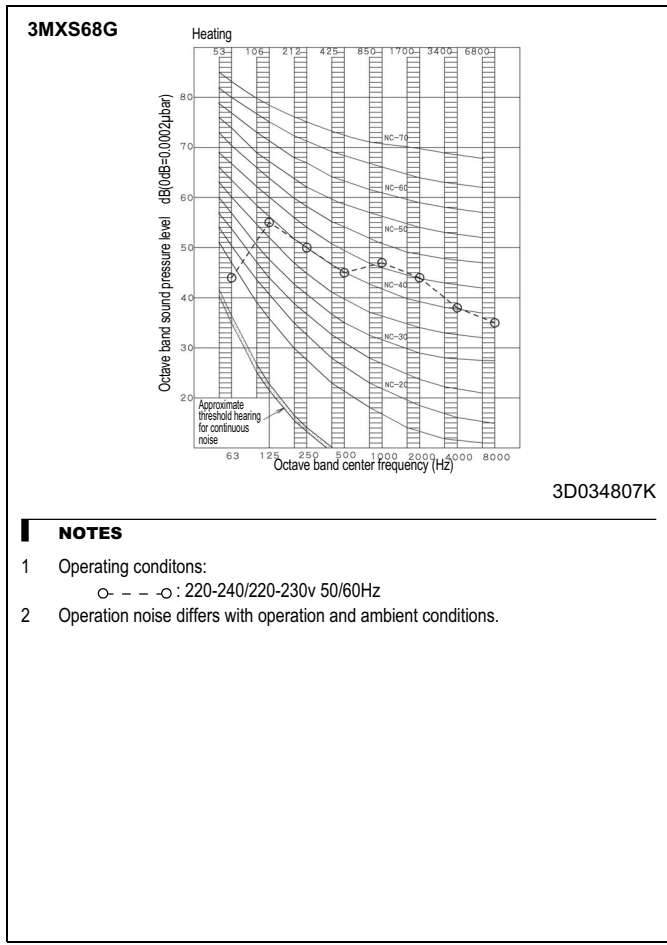
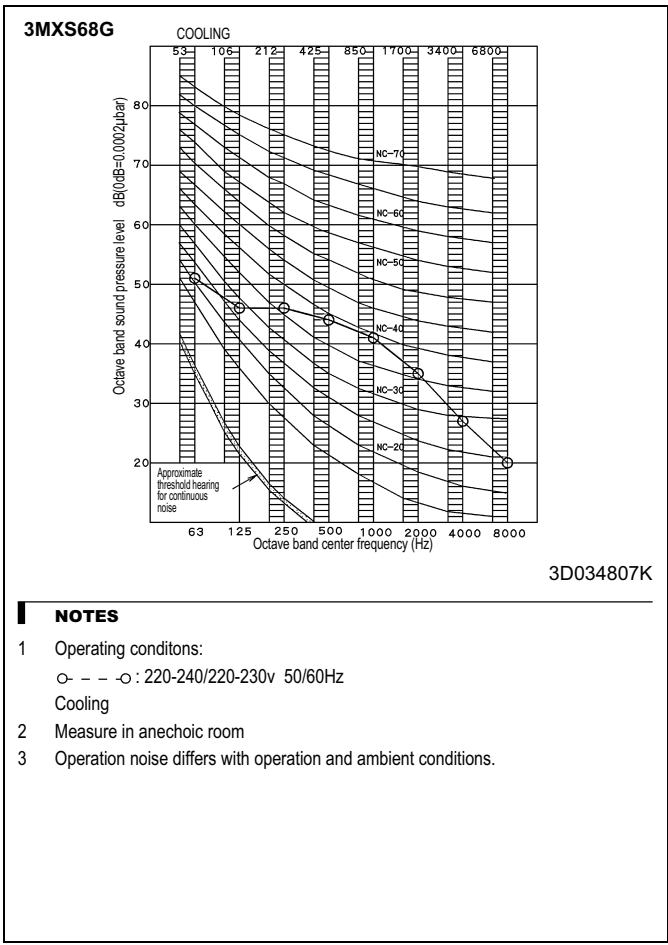
8 - 1 Sound pressure spectrum



8 Sound data

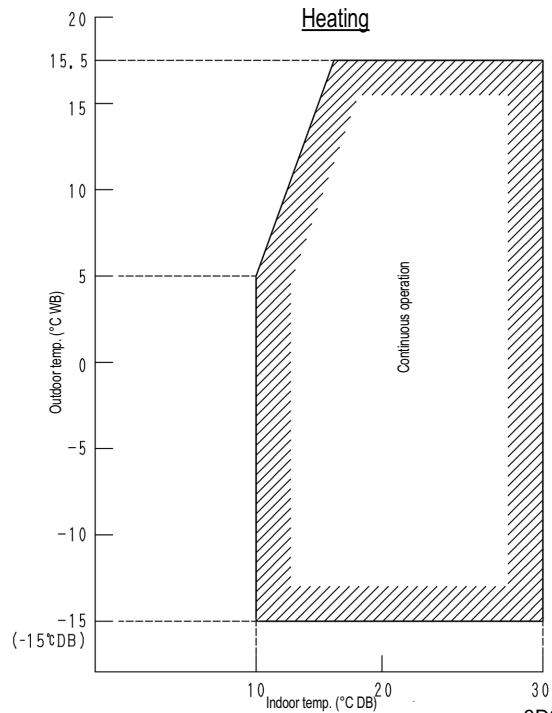
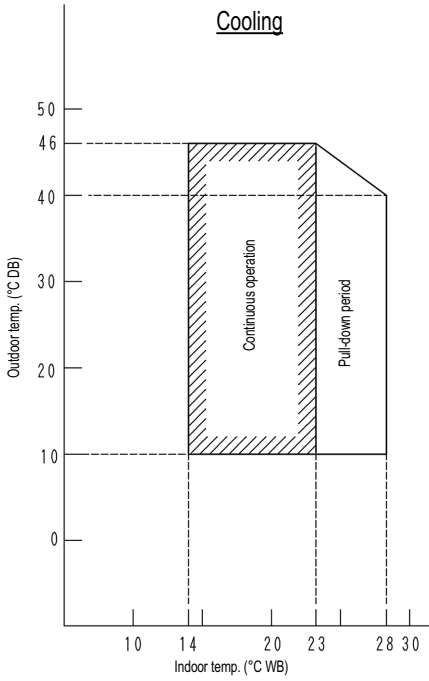
8 - 1 Sound pressure spectrum

1
8



9 Operation range

2MXS40G

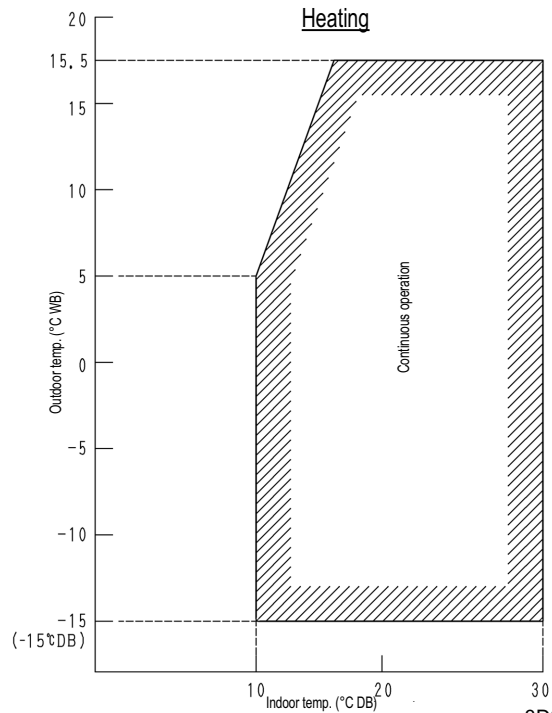
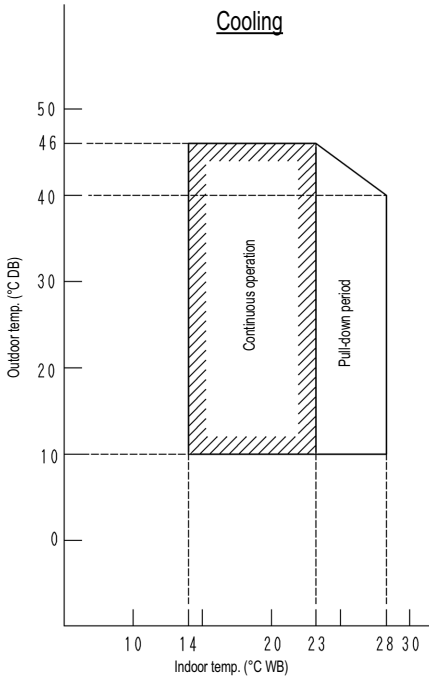


3D057575D

NOTES

- The graphs are based on the following conditions.
 - Equivalent piping length 5m
 - Level difference 0m
 - Air flow rate High

2MXS50G



3D057575A

NOTES

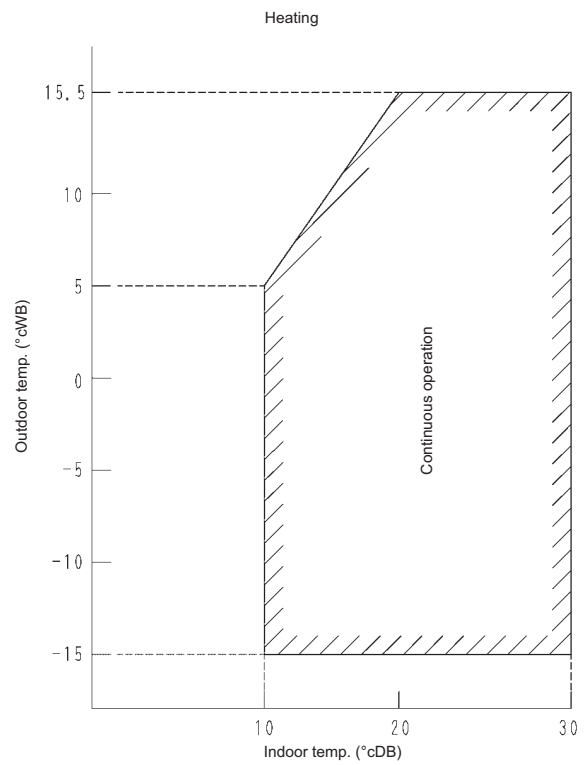
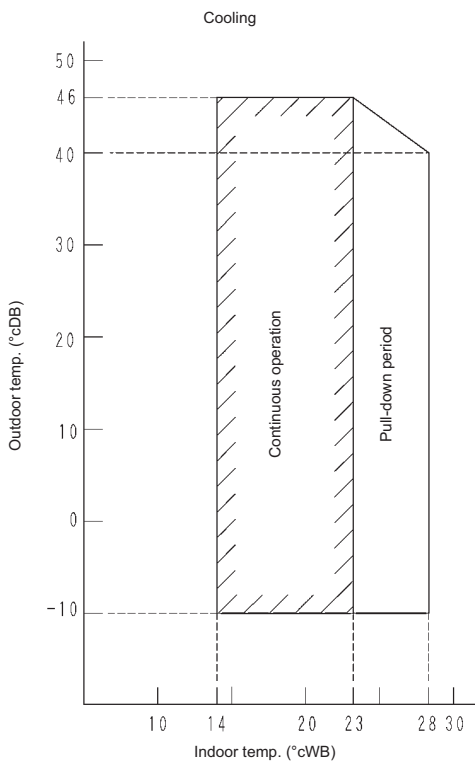
- The graphs are based on the following conditions.
 - Equivalent piping length 5m
 - Level difference 0m
 - Air flow rate High

9 Operation range

1
9

3MXS68G

(50/60)



3D034956M

NOTES

- 1 The graphs are based on the following conditions
- Equivalent piping length: 7.5m
 - Level difference: 0m
 - Air flow rate: High