

1 Features

- Outdoor units for Multi model application.
- Up to 5 indoor units can be connected to 1 Multi outdoor unit. All indoor units are individually controllable with remote control and do not need to be installed in the same room or at the same time.
- It is possible to combine different types of indoor units as well. (e.g. wall mounted, ceiling mounted cassette corner, concealed ceiling unit)
- Daikin outdoor units are neat and sturdy and can be mounted easily on a roof or terrace or simply placed against an outside wall.
- Outdoor units are fitted with a swing compressor, renowned for its low noise and high energy efficiency



1
1

2 Specifications

2-1 TECHNICAL SPECIFICATIONS				3MKS50E2V1B	4MKS58E2V1B	5MKS90E2V3B	
Casing	Colour			Ivory White			
Dimensions	Unit	Height	mm	735	735	770	
		Width	mm	936	936	900	
		Depth	mm	300	300	320	
	Packing	Height	mm	797	797	900	
		Width	mm	992	992	925	
		Depth	mm	390	390	390	
Weight	Unit		kg	49	49	69	
	Packed Unit		kg	56	56	78	
Heat Exchanger	Dimensions	Length	mm	845	845	879	
		Nr of Rows			2	2	2
		Fin Pitch	mm	1.8	1.8	1.4	
		Nr of Stages			32	32	34
	Tube type			ø7.94 grooved tubes 24	ø7.94 grooved tubes 24	Hi-Xa(8)	
	Fin	Type			Colgate fin	Colgate fin	WF fin
Treatment				Anti-corrosion treatment	Anti-corrosion treatment		
Fan	Type			Propeller			
	Air Flow Rate	Cooling (Low)	m³/min	45	45	46.0	
		Cooling (High)	m³/min	45	45	54.5	
		Cooling (Low)	cfm	1,589	1,589	1,624	
		Cooling (High)	cfm	1,589	1,589	1,924	
	Motor	Model		KFD-380-50-8A	KFD-380-50-8A	KFD-280-66-8A	
Motor	Speed (nominal)	Cooling (Low)	rpm	720	720	730	
		Cooling (High)	rpm	720	720	860	
Fan	Motor	Output	W	53	53	66	
Compressor	Motor	Model		2YC36BXD	2YC36BXD	2YC63BXD#C	
		Type		Hermetically sealed swing compressor			
		Motor Output	W	1,100	1,100	1,920	
Operation Range	Cooling	Min	°CDB	-10	-10	10	
		Max	°CDB	46	46	46	
Sound Level (nominal)	Sound power		dBA			62	
	Sound pressure		dBA			48	
	Cooling	Sound Power	dBA	59	59		
		Sound Pressure (Standard)	dBA	46	46		
Refrigerant	Type			R-410A			
	Charge	kg		2.0	2.0	2.95	
Refrigerant Oil	Type			FVC50K			
	Charged Volume	l		0.65	0.65	0.75	

2 Specifications

1
2

2-1 TECHNICAL SPECIFICATIONS			3MKS50E2V1B	4MKS58E2V1B	5MKS90E2V3B	
Piping connections	Liquid (OD)	Quantity	3	4	5	
		Diameter (OD) mm	6.35	6.35	6.35	
	Gas	Quantity	3	2	2	
		Diameter (OD) mm	9.52	9.52	9.52	
		Quantity		2	1	
		Diameter (OD) mm		12.7	12.7	
		Quantity			2	
		Diameter (OD) mm			15.9	
	Drain	Quantity		1		
		Diameter (OD) mm	18	18	25	
	Piping Length	Maximum m	50 (for total of each room)/25 (for 1 room)	50 (for total of each room)/25 (for 1 room)	75 (for total of each room) / 25 (for one room)	
	Additional Refrigerant Charge		kg/m	chargeless	chargeless	0.02/>65
	Installation height difference	Maximum m	15	15	15	
Max. internunit level difference		m	15	15	7.5	
Heat Insulation			Both liquid and gas pipes			
Standard Accessories	Item		Installation manual			
	Quantity		1	1	1	
	Item		Drain plug	Drain plug	Reducer assembly	
	Quantity		1	1	1	
	Item		Air direction adjustment plate	Reducer assembly		
	Quantity		1	1		
	Item			Air direction adjustment plate		
Quantity			1			
Notes			Nominal cooling capacities are based on: indoor temperature: 27°CDB, 19.0°CWB; outdoor temperature: 35°CDB, refrigerant piping length: 7.5m			

2-2 ELECTRICAL SPECIFICATIONS			3MKS50E2V1B	4MKS58E2V1B	5MKS90E2V3B	
Power Supply	Name		V1	V1	V3	
	Phase		1~			
	Frequency	Hz	50	50	50	
	Voltage	V	230	230	230	
Current	Nominal running current (RLA)	Cooling (A)	A	0.33 (L)0.33 (H)	0.33 (L)0.33 (H)	0.69 (L)0.97 (H)
	Starting current (cooling/heating)		A	5.3	6.7	11.4
Wiring connections	For Power Supply	Quantity	3	3	3	
	For connection with indoor	Quantity	4	4	4	
		Remark			Earth wire included	

3 Electrical data

5MKS90E											
Model		Units				Power supply		Comp.		OFM	
Outdoor	H/P C/D	Hz	Volts	Min.	Max.	MCA	MFA	MSC	RLA	W	FLA
5MKS90E7V3B	C/D	50	230	207	253	18	20	11.4	9.59	86	0.97

3D052366

SYMBOLS

- MCA : Min. Circuit Amps (A)
- MFA : Max. Fuse Amps (See note 6). (A)
- MSC : MSC means the max. current during the starting of compressor. (A)
- RLA : Rated Load Amps (A)
- OFM : Outdoor Fan Motor
- FLA : Full Load Amps (A)
- W : Fan Motor Rated Output (W)

NOTES

1. RLA is based on the following conditions:
Cooling
Indoor temp.: 27°CDB/19.0°CWB
Outdoor temp. : 35°CDB
2. Voltage range
Units are suitable for use on electrical systems where voltage supplied to unit terminals is not below or above listed operation range limits
3. Maximum allowable voltage variation between phases is 2%
4. MCA represents maximum input current.
MFA represents capacity which may accept MCA
5. Select wire size based on the larger value of MCA.
6. MFA is used to select the circuit breaker and the ground fault circuit interrupter (earth leakage circuit breaker)
7. For more details concerning conditional connections, see <http://extranet.daikineurope.com>, select "E-Data Books". Finally, click on the document title of your choice.

3 Electrical data

1
3

3MKS50E, 4MKS58E											
Model		Hz	Units			Power supply		Comp.		OFM	
Outdoor	H/P C/D		Volts	Min.	Max.	MCA	MFA	MSC	RLA	W	FLA
4MKS58E2V1B	C/O	50	220	198	242	18	20	6.7	6.08	44	0.30
			230	207	253			6.7	6.08		
			240	216	264			6.7	6.08		
3MKS50E2V1B	C/O	50	220	198	242	18	20	5.3	4.75	44	0.30
			230	207	253			5.3	4.75		
			240	216	264			5.3	4.75		

3D052808

SYMBOLS

- MCA : Min. Circuit Amps (A)
- MFA : Max. Fuse Amps (See note 6). (A)
- MSC : MSC means the max. current during the starting of compressor. (A)
- RLA : Rated Load Amps (A)
- OFM : Outdoor Fan Motor
- FLA : Full Load Amps (A)
- W : Fan Motor Rated Output (W)

NOTES

1. RLA is based on the following conditions:
Cooling
Indoor temp.: 27°CDB/19.0°CWB
Outdoor temp. : 35°CDB
2. Voltage range
Units are suitable for use on electrical systems where voltage supplied to unit terminals is not below or above listed operation range limits
3. Maximum allowable voltage variation between phases is 2%
4. MCA represents maximum input current.
MFA represents capacity which may accept MCA
5. Select wire size based on the larger value of MCA.
6. MFA is used to select the circuit breaker and the ground fault circuit interrupter (earth leakage circuit breaker)
7. For more details concerning conditional connections, see <http://extranet.daikineurope.com>, select "E-Data Books". Finally, click on the document title of your choice.

4 Options

5MKS90E

N°	Item	4MXS80E7	5MXS90E7	5MKS90E7
1	Drain plug		KKPJ5F180	

4TW27571-1

5 Capacity tables

5 - 1 Combination table

3MKS50E (★ cooling 50Hz 230V)

Outdoor unit	Combination of indoor unit	Capacity of each indoor unit										
		Each capacity (kW)				Total capacity (kW)		Total input (W)		Total current (A)		Power factor (%)
		A room	B room	C room	D room	Rating	(Min.~max.)	Rating	(Min.~max.)	Rating	(Min.~max.)	Rating
3MKS50E3V1B	2.0	2.00	---	---	---	2.00	1.76 ~ 2.89	460	350 ~ 740	2.1	1.6 ~ 3.4	96
	2.5	2.50	---	---	---	2.50	1.76 ~ 3.12	620	350 ~ 750	2.8	1.6 ~ 3.4	97
	3.5	3.50	---	---	---	3.50	1.76 ~ 4.22	960	350 ~ 1290	4.3	1.6 ~ 5.7	98
	4.2	3.50	---	---	---	4.20	1.76 ~ 4.52	1380	350 ~ 1480	6.1	1.6 ~ 6.6	98
	2.0+2.0	2.00	2.00	---	---	4.00	1.88 ~ 5.96	950	350 ~ 1910	4.2	1.5 ~ 8.4	99
	2.0+2.5	2.00	2.50	---	---	4.50	1.88 ~ 6.23	1180	350 ~ 2140	5.2	1.5 ~ 9.4	99
	2.0+3.5	1.82	3.18	---	---	5.00	1.88 ~ 6.24	1450	350 ~ 2070	6.4	1.5 ~ 9.1	99
	2.0+4.2	1.82	3.18	---	---	5.00	1.88 ~ 6.25	1450	350 ~ 2070	6.4	1.5 ~ 9.1	99
	2.5+2.5	2.50	2.50	---	---	5.00	1.88 ~ 6.23	1450	350 ~ 2140	6.4	1.5 ~ 9.4	99
	2.5+3.5	2.08	2.92	---	---	5.00	1.88 ~ 6.35	1450	350 ~ 2160	6.4	1.5 ~ 9.5	99
	2.5+4.2	2.08	2.92	---	---	5.00	1.88 ~ 6.36	1450	350 ~ 2160	6.4	1.5 ~ 9.5	99
	3.5+3.5	2.50	2.50	---	---	5.00	1.88 ~ 6.40	1390	350 ~ 2150	6.1	1.5 ~ 9.4	99
	3.5+4.2	2.50	2.50	---	---	5.00	1.88 ~ 6.41	1390	350 ~ 2150	6.1	1.5 ~ 9.4	99
	4.2+4.2	2.50	2.50	---	---	5.00	1.88 ~ 6.42	1390	350 ~ 2150	6.1	1.5 ~ 9.4	99
	2.0+2.0+2.0	1.66	1.66	1.66	---	4.98	1.86 ~ 7.04	1200	350 ~ 2160	5.3	1.5 ~ 9.5	99
	2.0+2.0+2.5	1.53	1.53	1.92	---	4.98	1.86 ~ 7.04	1200	350 ~ 2160	5.3	1.5 ~ 9.5	99
	2.0+2.0+3.5	1.33	1.33	2.32	---	4.98	1.95 ~ 7.06	1200	370 ~ 2160	5.3	1.6 ~ 9.5	99
	2.0+2.0+4.2	1.33	1.33	2.32	---	4.98	1.95 ~ 7.07	1200	370 ~ 2160	5.3	1.6 ~ 9.5	99
	2.0+2.5+2.5	1.42	1.78	1.78	---	4.98	1.86 ~ 7.04	1200	350 ~ 2160	5.3	1.5 ~ 9.5	99
	2.0+2.5+3.5	1.25	1.56	2.19	---	5.00	1.95 ~ 7.06	1200	370 ~ 2160	5.3	1.6 ~ 9.5	99
	2.0+2.5+4.2	1.25	1.56	2.19	---	5.00	1.95 ~ 7.07	1200	370 ~ 2160	5.3	1.6 ~ 9.5	99
	2.0+3.5+3.5	1.12	1.94	1.94	---	5.00	1.86 ~ 7.07	1200	350 ~ 2160	5.3	1.5 ~ 9.5	99
	2.5+2.5+2.5	1.66	1.66	1.66	---	4.98	1.95 ~ 7.04	1200	370 ~ 2160	5.3	1.6 ~ 9.5	99
	2.5+2.5+3.5	1.47	1.47	2.06	---	5.00	1.95 ~ 7.06	1200	370 ~ 2160	5.3	1.6 ~ 9.5	99
	2.5+2.5+4.2	1.36	1.36	2.28	---	5.00	1.95 ~ 7.07	1200	370 ~ 2160	5.3	1.6 ~ 9.5	99
	2.5+3.5+3.5	1.32	1.84	1.84	---	5.00	1.95 ~ 7.07	1200	380 ~ 2160	5.3	1.7 ~ 9.5	99

NOTES

3D059602

- Cooling capacity is based on 27°CDB / 19°CWB (indoor temperature), 35°CDB (outdoor temperature).
- The total ability of connected a indoor unit is up to 9.0kW
- The above is the value for connecting with the following indoor units.
2.0, 2.5, 3.5, 4.2 kW class; wall mounted G series
- Capacities are based on the following conditions:
Corresponding refrigerant piping length: 5m
Level difference: 0m

5 Capacity tables

5 - 1 Combination table

4MKS58E (★ cooling 50Hz 230V)

Outdoor unit	Combination of indoor unit	Capacity of each indoor unit										
		Each capacity (kW)				Total capacity (kW)		Total input (W)		Total current (A)		Power factor (%)
		A Room	B Room	C Room	D Room	Rating	(Min.~max.)	Rating	(Min.~max.)	Rating	(Min.~max.)	Rating
4MKS58E3V1B	2.0	2.00	---	---	---	2.00	1.76 ~ 2.89	460	350 ~ 740	2.1	1.6 ~ 3.4	96
	2.5	2.50	---	---	---	2.50	1.76 ~ 3.12	620	350 ~ 880	2.8	1.6 ~ 3.9	97
	3.5	3.50	---	---	---	3.50	1.76 ~ 4.22	960	350 ~ 1290	4.3	1.8 ~ 5.7	98
	4.2	4.20	---	---	---	4.20	1.76 ~ 4.70	1390	350 ~ 1610	6.1	1.6 ~ 7.1	98
	5.0	---	---	5.00	---	5.00	1.79 ~ 5.40	1750	350 ~ 2030	7.7	1.5 ~ 8.9	99
	2.0+2.0	2.00	2.00	---	---	4.00	1.88 ~ 5.96	950	350 ~ 1910	4.2	1.5 ~ 8.4	99
	2.0+2.5	2.00	2.50	---	---	4.50	1.88 ~ 6.23	1180	350 ~ 2140	5.2	1.5 ~ 9.4	99
	2.0+3.5	1.86	3.25	---	---	5.11	1.88 ~ 6.24	1520	350 ~ 2140	6.7	1.5 ~ 9.4	99
	2.0+4.2	1.70	3.57	---	---	5.27	1.88 ~ 6.25	1620	350 ~ 2140	7.1	1.5 ~ 9.4	99
	2.0+5.0	1.56	---	3.90	---	5.46	1.88 ~ 6.47	1580	350 ~ 2070	6.9	1.5 ~ 9.1	99
	2.5+2.5	2.50	2.50	---	---	5.00	1.88 ~ 6.23	1450	350 ~ 2140	6.4	1.5 ~ 9.4	99
	2.5+3.5	2.18	3.05	---	---	5.23	1.88 ~ 6.35	1580	350 ~ 2160	6.9	1.5 ~ 9.5	99
	2.5+4.2	2.01	3.39	---	---	5.40	1.88 ~ 6.36	1720	350 ~ 2160	7.6	1.5 ~ 9.5	99
	2.5+5.0	1.86	---	3.71	---	5.57	1.88 ~ 6.47	1640	350 ~ 2070	7.2	1.5 ~ 9.1	99
	3.5+3.5	2.73	2.73	---	---	5.46	1.88 ~ 6.40	1700	350 ~ 2160	7.5	1.5 ~ 9.5	99
	3.5+4.2	2.55	3.05	---	---	5.60	1.88 ~ 6.41	1800	350 ~ 2160	7.9	1.5 ~ 9.5	99
	3.5+5.0	2.39	---	3.41	---	5.80	1.88 ~ 6.49	1810	350 ~ 2090	7.9	1.5 ~ 9.2	99
	4.2+4.2	2.89	2.89	---	---	5.78	1.88 ~ 6.42	1900	350 ~ 2160	8.3	1.5 ~ 9.5	99
	4.2+5.0	2.65	---	3.15	---	5.80	1.88 ~ 6.50	1810	350 ~ 2090	7.9	1.5 ~ 9.2	99
	5.0+5.0	---	---	2.90	2.90	5.80	1.89 ~ 6.64	1780	350 ~ 2110	7.8	1.5 ~ 9.3	99
	2.0+2.0+2.0	1.74	1.74	---	---	5.22	1.86 ~ 7.04	1260	350 ~ 2160	5.5	1.5 ~ 9.5	99
	2.0+2.0+2.5	1.64	1.64	2.05	---	5.33	1.86 ~ 7.04	1310	350 ~ 2160	5.8	1.5 ~ 9.5	99
	2.0+2.0+3.5	1.49	1.49	2.60	---	5.58	1.95 ~ 7.06	1410	370 ~ 2160	6.2	1.6 ~ 9.5	99
	2.0+2.0+4.2	1.41	1.41	2.97	---	5.80	1.95 ~ 7.07	1510	370 ~ 2160	6.6	1.6 ~ 9.5	99
	2.0+2.0+5.0	1.29	1.29	3.22	---	5.80	1.84 ~ 7.30	1560	350 ~ 2260	6.9	1.5 ~ 9.9	99
	2.0+2.5+2.5	1.56	1.95	1.95	---	5.46	1.86 ~ 7.04	1380	350 ~ 2160	6.1	1.5 ~ 9.5	99
	2.0+2.5+3.5	1.42	1.78	2.49	---	5.69	1.95 ~ 7.06	1480	370 ~ 2160	6.5	1.6 ~ 9.5	99
	2.0+2.5+4.2	1.33	1.67	2.80	---	5.80	1.95 ~ 7.07	1510	370 ~ 2160	6.6	1.6 ~ 9.5	99
	2.0+2.5+5.0	1.22	1.53	3.05	---	5.80	1.84 ~ 7.30	1560	350 ~ 2260	6.9	1.5 ~ 9.9	99
	2.0+3.5+3.5	1.28	2.26	2.26	---	5.80	1.86 ~ 7.07	1570	350 ~ 2160	6.9	1.5 ~ 9.5	99
	2.0+3.5+4.2	1.20	2.09	2.51	---	5.80	1.85 ~ 7.08	1570	350 ~ 2160	6.9	1.5 ~ 9.5	99
	2.5+2.5+2.5	1.86	1.86	1.86	---	5.58	1.95 ~ 7.04	1410	370 ~ 2160	6.2	1.6 ~ 9.5	99
	2.5+2.5+3.5	1.71	1.71	2.38	---	5.80	1.95 ~ 7.06	1570	370 ~ 2160	6.9	1.6 ~ 9.5	99
	2.5+2.5+4.2	1.58	1.58	2.65	---	5.80	1.95 ~ 7.07	1570	370 ~ 2160	6.9	1.6 ~ 9.5	99
	2.5+2.5+5.0	1.45	1.45	2.90	---	5.80	1.84 ~ 7.30	1540	350 ~ 2260	6.8	1.5 ~ 9.9	99
	2.5+3.5+3.5	1.52	2.14	2.14	---	5.80	1.95 ~ 7.07	1620	380 ~ 2160	7.1	1.7 ~ 9.5	99
	2.0+2.0+2.0+2.0	1.42	1.42	1.42	1.42	5.68	1.96 ~ 7.30	1490	400 ~ 2160	6.5	1.8 ~ 9.5	99
	2.0+2.0+2.0+2.5	1.36	1.36	1.36	1.72	5.80	1.96 ~ 7.30	1520	400 ~ 2160	6.7	1.8 ~ 9.5	99
	2.0+2.0+2.0+3.5	1.22	1.22	1.22	2.14	5.80	1.97 ~ 7.30	1520	400 ~ 2160	6.7	1.8 ~ 9.5	99
	2.0+2.0+2.5+2.5	1.29	1.29	1.61	1.61	5.80	1.96 ~ 7.30	1520	400 ~ 2160	6.7	1.8 ~ 9.5	99
	2.0+2.0+2.5+3.5	1.16	1.16	1.45	2.03	5.80	1.99 ~ 7.30	1520	400 ~ 2160	6.7	1.8 ~ 9.5	99
	2.0+2.5+2.5+2.5	1.21	1.53	1.53	1.53	5.80	1.97 ~ 7.30	1520	400 ~ 2160	6.7	1.8 ~ 9.5	99
	2.5+2.5+2.5+2.5	1.45	1.45	1.45	1.45	5.80	1.99 ~ 7.30	1520	400 ~ 2160	6.7	1.8 ~ 9.5	99

NOTES

- Cooling capacity is based on 27°CDB / 19°CWB (indoor temperature), 35°CDB (outdoor temperature).
- The total ability of connected a indoor unit is up to 10.0kW
- The above is the value for connecting with the following indoor units.
2.0, 2.5, 3.5, 4.2, 5.0 kW class; wall mounted G series
- Capacities are based on the following conditions:
Corresponding refrigerant piping length: 5m
Level difference: 0m

3D059225

5 Capacity tables

5 - 1 Combination table

5MKS90E

Cooling [50Hz 230V]

Outdoor unit	Combination of indoor unit	Capacity of each indoor unit											
		Each capacity (kW)					Total capacity (kW)		Total input (W)		Total current (A)		Power factor %
		A Room	B Room	C Room	D Room	E Room	Rating	(Min.-max.)	Rating	(Min.-max.)	Rating	(Min.-max.)	Rating
5MKS90E7V3B	2.0	2.00	---	---	---	---	2.00	1.72 ~ 3.03	0.59	0.41 ~ 1.05	2.6	1.8 ~ 4.7	98
	2.5	2.50	---	---	---	---	2.50	1.79 ~ 3.54	0.74	0.45 ~ 1.25	3.3	2.0 ~ 5.5	98
	3.5	3.50	---	---	---	---	3.50	1.83 ~ 4.68	1.17	0.45 ~ 1.46	5.2	2.0 ~ 6.5	98
	4.2	4.20	---	---	---	---	4.20	1.90 ~ 5.14	1.63	0.48 ~ 1.76	7.2	2.1 ~ 7.8	98
	5.0	5.00	---	---	---	---	5.00	1.98 ~ 5.34	1.72	0.45 ~ 1.86	7.6	2.0 ~ 8.3	98
	6.0	6.00	---	---	---	---	6.00	2.08 ~ 6.60	1.97	0.43 ~ 2.39	8.7	1.9 ~ 10.6	98
	7.1	7.10	---	---	---	---	7.10	2.18 ~ 7.26	2.66	0.46 ~ 2.78	11.8	2.0 ~ 12.3	98
	2.0+2.0	2.00	2.00	---	---	---	4.00	1.88 ~ 5.16	1.17	0.46 ~ 1.78	5.2	2.0 ~ 7.9	98
	2.0+2.5	2.00	2.50	---	---	---	4.50	1.93 ~ 5.57	1.33	0.43 ~ 1.78	5.9	1.9 ~ 7.9	98
	2.0+3.5	2.00	3.50	---	---	---	5.50	2.03 ~ 6.18	1.78	0.43 ~ 2.07	7.9	1.9 ~ 9.2	98
	2.0+4.2	2.00	4.20	---	---	---	6.20	2.10 ~ 6.75	2.18	0.46 ~ 2.44	9.7	2.0 ~ 10.8	98
	2.0+5.0	2.00	5.00	---	---	---	7.00	2.18 ~ 7.31	2.51	0.46 ~ 2.74	11.1	2.0 ~ 12.2	98
	2.0+6.0	1.86	5.56	---	---	---	7.42	2.30 ~ 7.96	2.55	0.50 ~ 2.97	11.3	2.2 ~ 13.2	98
	2.0+7.1	1.71	6.09	---	---	---	7.80	2.45 ~ 8.22	2.85	0.53 ~ 3.10	12.6	2.4 ~ 13.8	98
	2.5+2.5	2.50	2.50	---	---	---	5.00	1.98 ~ 6.02	1.42	0.43 ~ 1.97	6.3	1.9 ~ 8.7	98
	2.5+3.5	2.50	3.50	---	---	---	6.00	2.08 ~ 6.60	1.97	0.43 ~ 2.33	8.7	1.9 ~ 10.3	98
	2.5+4.2	2.50	4.20	---	---	---	6.70	2.15 ~ 7.11	2.44	0.46 ~ 2.72	10.8	2.0 ~ 12.1	98
	2.5+5.0	2.41	4.83	---	---	---	7.24	2.24 ~ 7.60	2.68	0.49 ~ 2.92	11.9	2.2 ~ 13.0	98
	2.5+6.0	2.23	5.36	---	---	---	7.59	2.37 ~ 8.03	2.67	0.50 ~ 2.97	11.8	2.2 ~ 13.2	98
	2.5+7.1	2.08	5.90	---	---	---	7.98	2.51 ~ 8.22	2.98	0.53 ~ 3.10	13.2	2.4 ~ 13.8	98
	3.5+3.5	3.50	3.50	---	---	---	7.00	2.18 ~ 7.27	2.61	0.46 ~ 2.78	11.6	2.0 ~ 12.3	98
	3.5+4.2	3.36	4.03	---	---	---	7.39	2.26 ~ 7.44	2.84	0.49 ~ 2.90	12.6	2.2 ~ 12.9	98
	3.5+5.0	3.13	4.46	---	---	---	7.59	2.37 ~ 7.61	2.92	0.49 ~ 2.97	13.0	2.2 ~ 13.2	98
	3.5+6.0	2.93	5.01	---	---	---	7.94	2.50 ~ 8.21	2.91	0.53 ~ 3.10	12.9	2.4 ~ 13.8	98
	3.5+7.1	2.75	5.58	---	---	---	8.33	2.64 ~ 8.41	3.24	0.57 ~ 3.29	14.4	2.5 ~ 14.6	98
	4.2+4.2	3.70	3.70	---	---	---	7.40	2.36 ~ 7.45	2.84	0.49 ~ 2.90	12.6	2.2 ~ 12.9	98
	4.2+5.0	3.52	4.18	---	---	---	7.70	2.46 ~ 7.78	3.04	0.53 ~ 3.09	13.5	2.4 ~ 13.7	98
	4.2+6.0	3.37	4.82	---	---	---	8.19	2.59 ~ 8.22	3.04	0.57 ~ 3.10	13.5	2.5 ~ 13.8	98
	4.2+7.1	3.10	5.24	---	---	---	8.34	2.74 ~ 8.59	3.24	0.60 ~ 3.42	14.4	2.7 ~ 15.2	98
	5.0+5.0	4.06	4.06	---	---	---	8.12	2.57 ~ 8.15	3.26	0.56 ~ 3.29	14.5	2.5 ~ 14.6	98
	5.0+6.0	3.85	4.62	---	---	---	8.47	2.70 ~ 8.52	3.19	0.57 ~ 3.24	14.2	2.5 ~ 14.4	98
	5.0+7.1	3.66	5.20	---	---	---	8.86	2.84 ~ 8.90	3.60	0.60 ~ 3.66	16.0	2.7 ~ 16.2	98
	6.0+6.0	4.41	4.41	---	---	---	8.82	2.83 ~ 9.00	3.19	0.60 ~ 3.33	14.2	2.7 ~ 14.8	98
	6.0+7.1	4.12	4.88	---	---	---	9.00	2.97 ~ 9.02	3.26	0.64 ~ 3.33	14.5	2.8 ~ 14.8	98
	7.1+7.1	4.50	4.50	---	---	---	9.00	3.12 ~ 9.04	3.20	0.64 ~ 3.34	14.2	2.8 ~ 14.8	98
	2.0+2.0+2.0	2.00	2.00	2.00	---	---	6.00	2.08 ~ 6.63	1.75	0.47 ~ 2.05	7.8	2.1 ~ 9.1	98
	2.0+2.0+2.5	2.00	2.00	2.50	---	---	6.50	2.13 ~ 6.97	2.00	0.47 ~ 2.27	8.9	2.1 ~ 10.1	98
	2.0+2.0+3.5	1.93	1.93	3.38	---	---	7.24	2.24 ~ 7.64	2.44	0.47 ~ 2.73	10.8	2.1 ~ 12.1	98
	2.0+2.0+4.2	1.83	1.83	3.83	---	---	7.49	2.33 ~ 8.06	2.61	0.50 ~ 2.98	11.6	2.2 ~ 13.2	98
	2.0+2.0+5.0	1.72	1.72	4.33	---	---	7.77	2.43 ~ 8.40	2.69	0.50 ~ 3.13	11.9	2.2 ~ 13.9	98
	2.0+2.0+6.0	1.62	1.62	4.88	---	---	8.12	2.57 ~ 8.84	2.73	0.54 ~ 3.19	12.1	2.4 ~ 14.2	98
	2.0+2.0+7.1	1.53	1.53	5.45	---	---	8.51	2.71 ~ 9.03	2.99	0.57 ~ 3.34	13.3	2.5 ~ 14.8	98
	2.0+2.5+2.5	2.00	2.50	2.50	---	---	7.00	2.18 ~ 7.31	2.32	0.47 ~ 2.49	10.3	2.1 ~ 11.0	98
	2.0+2.5+3.5	1.86	2.32	3.24	---	---	7.42	2.30 ~ 7.96	2.55	0.50 ~ 2.91	11.3	2.2 ~ 12.9	98
	2.0+2.5+4.2	1.76	2.20	3.70	---	---	7.66	2.39 ~ 8.23	2.73	0.50 ~ 3.11	12.1	2.2 ~ 13.8	98
	2.0+2.5+5.0	1.67	2.09	4.18	---	---	7.94	2.50 ~ 8.40	2.81	0.53 ~ 3.13	12.5	2.4 ~ 13.9	98
	2.0+2.5+6.0	1.58	1.98	4.74	---	---	8.30	2.63 ~ 8.84	2.96	0.54 ~ 3.19	12.7	2.4 ~ 14.2	98
	2.0+2.5+7.1	1.50	1.87	5.31	---	---	8.68	2.78 ~ 9.03	3.13	0.57 ~ 3.34	13.9	2.5 ~ 14.8	98

3D059267

NOTES

- Cooling capacity is based on 27°CDB / 19°CWB (indoor temperature), 35°CDB (outdoor temperature).
- The total ability of connected a indoor unit is up to 9.0 kW
- The above is the value for connecting with the following indoor units.
2.0, 2.5, 3.5, 4.2, 5.0 kW class; wall mounted G series
6.0, 7.1 kW class; wall mounted F series
- Capacities are based on following conditions
Corresponding refrigerant piping length : 5m
Level difference : 0m

5 Capacity tables

5 - 1 Combination table

5MKKS90E

Cooling [50Hz 230V]

Outdoor unit	Combination of indoor unit	Capacity of each indoor unit											
		Each capacity (kW)					Total capacity (kW)		Total input (W)		Total current (A)		Power factor %
		A Room	B Room	C Room	D Room	E Room	Rating	(Min.-max.)	Rating	(Min.-max.)	Rating	(Min.-max.)	Rating
5MKKS90E7V3B	2.0+3.5+3.5	1.73	3.02	3.02	---	---	7.77	2.43 ~ 8.23	2.79	0.53 ~ 3.11	12.4	2.4 ~ 13.8	98
	2.0+3.5+4.2	1.65	2.89	3.47	---	---	8.01	2.53 ~ 8.24	2.98	0.53 ~ 3.11	13.2	2.4 ~ 13.8	98
	2.0+3.5+5.0	1.58	2.77	3.95	---	---	8.30	2.63 ~ 8.40	3.07	0.57 ~ 3.13	13.6	2.5 ~ 13.9	98
	2.0+3.5+6.0	1.50	2.63	4.52	---	---	8.65	2.76 ~ 9.02	3.06	0.57 ~ 3.33	13.6	2.5 ~ 14.8	98
	2.0+3.5+7.1	1.43	2.50	5.07	---	---	9.00	2.91 ~ 9.04	3.34	0.60 ~ 3.39	14.8	2.7 ~ 15.0	98
	2.0+4.2+4.2	1.57	3.29	3.33	---	---	8.15	2.62 ~ 8.25	3.04	0.57 ~ 3.11	13.5	2.5 ~ 13.8	98
	2.0+4.2+5.0	1.53	3.20	3.81	---	---	8.54	2.72 ~ 8.58	3.20	0.57 ~ 3.27	14.2	2.5 ~ 14.5	98
	2.0+4.2+6.0	1.46	3.06	4.37	---	---	8.89	2.85 ~ 9.03	3.26	0.60 ~ 3.33	14.5	2.7 ~ 14.8	98
	2.0+4.2+7.1	1.36	2.84	4.80	---	---	9.00	3.00 ~ 9.05	3.34	0.64 ~ 3.39	14.8	2.8 ~ 15.0	98
	2.0+5.0+5.0	1.46	3.88	3.68	---	---	8.82	2.83 ~ 8.87	3.36	0.60 ~ 3.40	14.9	2.7 ~ 15.1	98
	2.0+5.0+6.0	1.39	3.46	4.15	---	---	9.00	2.96 ~ 9.20	3.15	0.60 ~ 3.36	14.0	2.7 ~ 14.9	98
	2.0+5.0+7.1	1.28	3.19	4.53	---	---	9.00	3.10 ~ 9.22	3.08	0.64 ~ 3.36	13.7	2.8 ~ 14.9	98
	2.0+6.0+6.0	1.28	3.86	3.86	---	---	9.00	3.09 ~ 9.64	2.86	0.64 ~ 3.43	12.7	2.8 ~ 15.2	98
	2.0+6.0+7.1	1.19	3.58	4.23	---	---	9.00	3.23 ~ 10.10	2.79	0.64 ~ 3.97	12.4	2.8 ~ 17.6	98
	2.5+2.5+2.5	2.41	2.41	2.41	---	---	7.23	2.24 ~ 7.64	2.43	0.47 ~ 2.73	10.8	2.1 ~ 12.1	98
	2.5+2.5+3.5	2.23	2.23	3.13	---	---	7.59	2.37 ~ 8.05	2.67	0.50 ~ 2.98	11.8	2.2 ~ 13.2	98
	2.5+2.5+4.2	2.13	2.13	3.58	---	---	7.84	2.46 ~ 8.23	2.85	0.53 ~ 3.11	12.6	2.4 ~ 13.8	98
	2.5+2.5+5.0	2.03	2.03	4.06	---	---	8.12	2.57 ~ 8.40	2.94	0.53 ~ 3.13	13.0	2.4 ~ 13.9	98
	2.5+2.5+6.0	1.93	1.93	4.61	---	---	8.47	2.70 ~ 8.84	2.92	0.57 ~ 3.19	13.0	2.5 ~ 14.2	98
	2.5+2.5+7.1	1.83	1.83	5.20	---	---	8.86	2.84 ~ 9.03	3.27	0.60 ~ 3.34	14.5	2.7 ~ 14.8	98
	2.5+3.5+3.5	2.08	2.93	2.93	---	---	7.94	2.50 ~ 8.23	2.92	0.53 ~ 3.11	13.0	2.4 ~ 13.8	98
	2.5+3.5+4.2	2.01	2.81	3.37	---	---	8.19	2.59 ~ 8.24	3.04	0.57 ~ 3.11	13.5	2.5 ~ 13.8	98
	2.5+3.5+5.0	1.93	2.70	3.84	---	---	8.47	2.70 ~ 8.50	3.20	0.57 ~ 3.22	14.2	2.5 ~ 14.3	98
	2.5+3.5+6.0	1.84	2.57	4.41	---	---	8.82	2.83 ~ 9.02	3.19	0.60 ~ 3.33	14.2	2.7 ~ 14.8	98
	2.5+3.5+7.1	1.72	2.40	4.88	---	---	9.00	2.97 ~ 9.04	3.34	0.60 ~ 3.39	14.8	2.7 ~ 15.0	98
	2.5+4.2+4.2	1.88	3.16	3.16	---	---	8.20	2.68 ~ 8.25	3.04	0.57 ~ 3.11	13.5	2.5 ~ 13.8	98
	2.5+4.2+5.0	1.83	3.07	3.65	---	---	8.55	2.79 ~ 8.68	3.27	0.60 ~ 3.36	14.5	2.7 ~ 14.9	98
	2.5+4.2+6.0	1.77	2.98	4.25	---	---	9.00	2.92 ~ 9.03	3.26	0.60 ~ 3.33	14.5	2.7 ~ 14.8	98
	2.5+4.2+7.1	1.63	2.74	4.63	---	---	9.00	3.06 ~ 9.05	3.34	0.64 ~ 3.39	14.8	2.8 ~ 15.0	98
	2.5+5.0+5.0	1.80	3.60	3.60	---	---	9.00	2.89 ~ 9.05	3.57	0.60 ~ 3.59	15.8	2.7 ~ 15.9	98
	2.5+5.0+6.0	1.67	3.33	4.00	---	---	9.00	3.02 ~ 9.20	3.22	0.64 ~ 3.36	14.3	2.8 ~ 14.9	98
	2.5+5.0+7.1	1.54	3.08	4.38	---	---	9.00	3.17 ~ 9.22	3.15	0.64 ~ 3.36	14.0	2.8 ~ 14.9	98
	2.5+6.0+6.0	1.56	3.72	3.72	---	---	9.00	3.16 ~ 9.64	2.93	0.64 ~ 3.43	13.0	2.8 ~ 15.2	98
	2.5+6.0+7.1	1.44	3.46	4.10	---	---	9.00	3.30 ~ 10.10	2.86	0.67 ~ 3.97	12.7	3.0 ~ 17.6	98
	3.5+3.5+3.5	2.77	2.77	2.77	---	---	8.31	2.63 ~ 8.35	3.17	0.57 ~ 3.24	14.1	2.5 ~ 14.4	98
	3.5+3.5+4.2	2.64	2.64	3.17	---	---	8.45	2.72 ~ 8.52	3.24	0.60 ~ 3.37	14.4	2.7 ~ 15.0	98
	3.5+3.5+5.0	2.57	2.57	3.68	---	---	8.82	2.83 ~ 8.88	3.54	0.60 ~ 3.57	15.7	2.7 ~ 15.8	98
	3.5+3.5+6.0	2.42	2.42	4.16	---	---	9.00	2.96 ~ 9.03	3.26	0.60 ~ 3.33	14.5	2.7 ~ 14.8	98
	3.5+3.5+7.1	2.23	2.23	4.54	---	---	9.00	3.10 ~ 9.05	3.20	0.64 ~ 3.34	14.2	2.8 ~ 14.8	98
	3.5+4.2+4.2	2.49	2.99	2.99	---	---	8.46	2.81 ~ 8.53	3.24	0.60 ~ 3.37	14.4	2.7 ~ 15.0	98
3.5+4.2+5.0	2.43	2.82	3.48	---	---	8.83	2.92 ~ 8.89	3.54	0.63 ~ 3.57	15.7	2.8 ~ 15.8	98	
3.5+4.2+6.0	2.30	2.76	3.94	---	---	9.00	3.05 ~ 9.04	3.27	0.64 ~ 3.34	14.5	2.8 ~ 14.8	98	
3.5+4.2+7.1	2.13	2.55	4.32	---	---	9.00	3.20 ~ 9.53	3.20	0.67 ~ 3.92	14.2	3.0 ~ 17.4	98	
3.5+5.0+5.0	2.34	3.33	3.33	---	---	9.00	3.02 ~ 9.06	3.57	0.64 ~ 3.59	15.8	2.8 ~ 15.9	98	
3.5+5.0+6.0	2.18	3.10	3.72	---	---	9.00	3.16 ~ 9.21	3.22	0.64 ~ 3.36	14.3	2.8 ~ 14.9	98	
3.5+5.0+7.1	2.02	2.88	4.10	---	---	9.00	3.30 ~ 9.65	3.15	0.67 ~ 3.88	14.0	3.0 ~ 17.2	98	
3.5+6.0+6.0	2.04	3.48	3.48	---	---	9.00	3.29 ~ 10.08	2.93	0.67 ~ 3.97	13.0	3.0 ~ 17.6	98	
4.2+4.2+4.2	2.82	2.82	2.82	---	---	8.47	2.91 ~ 8.54	3.24	0.63 ~ 3.37	14.4	2.8 ~ 15.0	98	

3D059268

NOTES

- Cooling capacity is based on 27°CDB / 19°CWB (indoor temperature), 35°CDB (outdoor temperature).
- The total ability of connected a indoor unit is up to 9.0 kW
- The above is the value for connecting with the following indoor units.
2.0, 2.5, 3.5, 4.2, 5.0 kW class; wall mounted G series
6.0, 7.1 kW class; wall mounted F series
- Capacities are based on following conditions
Corresponding refrigerant piping length : 5m
Level difference : 0m

5 Capacity tables

5 - 1 Combination table

5MKS90E

Cooling [50Hz 230V]

Outdoor unit	Combination of indoor unit	Capacity of each indoor unit											
		Each capacity (kW)					Total capacity (kW)		Total input (W)		Total current (A)		Power factor %
		A Room	B Room	C Room	D Room	E Room	Rating	(Min.-max.)	Rating	(Min.-max.)	Rating	(Min.-max.)	Rating
5MKS90E7V3B	4.2+4.2+5.0	2.77	2.77	3.30	----	----	8.84	3.01 ~ 8.90	3.54	0.63 ~ 3.57	15.7	2.8 ~ 15.8	98
	4.2+4.2+6.0	2.63	2.63	3.74	----	----	9.00	3.14 ~ 9.05	3.27	0.67 ~ 3.34	14.5	3.0 ~ 14.8	98
	4.2+4.2+7.1	2.44	2.44	4.12	----	----	9.00	3.29 ~ 9.58	3.20	0.67 ~ 4.00	14.2	3.0 ~ 17.7	98
	4.2+5.0+5.0	2.66	3.17	3.17	----	----	9.00	3.12 ~ 9.07	3.50	0.64 ~ 3.59	15.5	2.8 ~ 15.9	98
	4.2+5.0+6.0	2.49	2.96	3.55	----	----	9.00	3.25 ~ 9.69	3.29	0.70 ~ 3.95	14.6	3.1 ~ 17.5	98
	5.0+5.0+5.0	3.00	3.00	3.00	----	----	9.00	3.22 ~ 9.49	3.39	0.67 ~ 4.04	15.0	3.0 ~ 17.9	98
	2.0+2.0+2.0+2.0	1.86	1.86	1.86	1.86	----	7.44	2.30 ~ 7.96	2.13	0.51 ~ 2.42	9.4	2.3 ~ 10.7	98
	2.0+2.0+2.0+2.5	1.79	1.79	1.79	2.22	----	7.59	2.37 ~ 8.25	2.25	0.51 ~ 2.61	10.0	2.3 ~ 11.6	98
	2.0+2.0+2.0+3.5	1.67	1.67	1.67	2.93	----	7.94	2.50 ~ 8.78	2.42	0.54 ~ 2.99	10.7	2.4 ~ 13.3	98
	2.0+2.0+2.0+4.2	1.61	1.61	1.61	3.36	----	8.19	2.59 ~ 9.12	2.54	0.54 ~ 3.20	11.3	2.4 ~ 14.2	98
	2.0+2.0+2.0+5.0	1.54	1.54	1.54	3.85	----	8.47	2.70 ~ 9.03	2.81	0.57 ~ 3.22	12.5	2.5 ~ 14.3	98
	2.0+2.0+2.0+6.0	1.47	1.47	1.47	4.41	----	8.82	2.83 ~ 9.65	2.86	0.58 ~ 3.43	12.7	2.6 ~ 15.2	98
	2.0+2.0+2.0+7.1	1.37	1.37	1.37	4.89	----	9.00	2.97 ~ 9.68	2.93	0.61 ~ 3.44	13.0	2.7 ~ 15.3	98
	2.0+2.0+2.5+2.5	1.73	1.73	2.16	2.16	----	7.78	2.43 ~ 8.53	2.30	0.51 ~ 2.79	10.2	2.3 ~ 12.4	98
	2.0+2.0+2.5+3.5	1.62	1.62	2.03	2.85	----	8.12	2.57 ~ 8.86	2.67	0.54 ~ 3.20	11.8	2.4 ~ 14.2	98
	2.0+2.0+2.5+4.2	1.56	1.56	1.96	3.29	----	8.37	2.66 ~ 8.95	2.86	0.57 ~ 3.27	12.7	2.5 ~ 14.5	98
	2.0+2.0+2.5+5.0	1.50	1.50	1.88	3.77	----	8.65	2.76 ~ 9.21	2.95	0.57 ~ 3.36	13.1	2.5 ~ 14.9	98
	2.0+2.0+2.5+6.0	1.44	1.44	1.80	4.32	----	9.00	2.89 ~ 9.65	3.00	0.58 ~ 3.43	13.3	2.6 ~ 15.2	98
	2.0+2.0+2.5+7.1	1.32	1.32	1.65	4.71	----	9.00	3.04 ~ 9.68	2.93	0.61 ~ 3.44	13.0	2.7 ~ 15.3	98
	2.0+2.0+3.5+3.5	1.54	1.54	2.70	2.70	----	8.48	2.70 ~ 8.86	2.93	0.57 ~ 3.20	13.0	2.5 ~ 14.2	98
	2.0+2.0+3.5+4.2	1.49	1.49	2.61	3.13	----	8.72	2.79 ~ 9.05	3.13	0.57 ~ 3.34	13.9	2.5 ~ 14.8	98
	2.0+2.0+3.5+5.0	1.44	1.44	2.52	3.60	----	9.00	2.89 ~ 9.22	3.22	0.61 ~ 3.36	14.3	2.7 ~ 14.9	98
	2.0+2.0+3.5+6.0	1.33	1.33	2.34	4.00	----	9.00	3.02 ~ 9.66	2.86	0.61 ~ 3.43	12.7	2.7 ~ 15.2	98
	2.0+2.0+3.5+7.1	1.23	1.23	2.16	4.38	----	9.00	3.17 ~ 9.68	2.79	0.64 ~ 3.44	12.4	2.8 ~ 15.3	98
	2.0+2.0+4.2+4.2	1.45	1.45	3.03	3.03	----	8.96	2.88 ~ 9.06	3.27	0.60 ~ 3.34	14.5	2.7 ~ 14.8	98
	2.0+2.0+4.2+5.0	1.36	1.36	2.87	3.41	----	9.00	2.99 ~ 9.23	3.22	0.61 ~ 3.37	14.3	2.7 ~ 15.0	98
	2.0+2.0+4.2+6.0	1.27	1.27	2.66	3.80	----	9.00	3.12 ~ 9.67	2.86	0.64 ~ 3.43	12.7	2.8 ~ 15.2	98
	2.0+2.0+4.2+7.1	1.18	1.18	2.47	4.17	----	9.00	3.26 ~ 10.08	2.79	0.64 ~ 3.90	12.4	2.8 ~ 17.3	98
	2.0+2.0+5.0+5.0	1.29	1.29	3.21	3.21	----	9.00	3.09 ~ 9.40	3.11	0.64 ~ 3.39	13.8	2.8 ~ 15.0	98
	2.0+2.0+5.0+6.0	1.20	1.20	3.00	3.60	----	9.00	3.22 ~ 10.40	2.88	0.64 ~ 4.26	12.8	2.8 ~ 18.9	98
	2.0+2.5+2.5+2.5	1.67	2.09	2.09	2.09	----	7.94	2.50 ~ 8.78	2.42	0.54 ~ 2.99	10.7	2.4 ~ 13.3	98
	2.0+2.5+2.5+3.5	1.57	1.98	1.98	2.77	----	8.30	2.63 ~ 8.86	2.80	0.54 ~ 3.20	12.4	2.4 ~ 14.2	98
	2.0+2.5+2.5+4.2	1.53	1.91	1.91	3.19	----	8.54	2.72 ~ 9.04	2.99	0.57 ~ 3.34	13.3	2.5 ~ 14.8	98
	2.0+2.5+2.5+5.0	1.46	1.84	1.84	3.68	----	8.82	2.83 ~ 9.21	3.08	0.57 ~ 3.36	13.7	2.5 ~ 14.9	98
	2.0+2.5+2.5+6.0	1.39	1.73	1.73	4.15	----	9.00	2.96 ~ 9.65	2.93	0.61 ~ 3.43	13.0	2.7 ~ 15.2	98
	2.0+2.5+2.5+7.1	1.27	1.60	1.60	4.53	----	9.00	3.10 ~ 9.68	2.79	0.64 ~ 3.44	12.4	2.8 ~ 15.3	98
	2.0+2.5+3.5+3.5	1.50	1.89	2.63	2.63	----	8.65	2.76 ~ 9.04	3.06	0.57 ~ 3.34	13.6	2.5 ~ 14.8	98
	2.0+2.5+3.5+4.2	1.46	1.82	2.55	3.06	----	8.89	2.85 ~ 9.05	3.27	0.60 ~ 3.34	14.5	2.7 ~ 14.8	98
	2.0+2.5+3.5+5.0	1.39	1.73	2.42	3.46	----	9.00	2.96 ~ 9.22	3.22	0.61 ~ 3.36	14.3	2.7 ~ 14.9	98
	2.0+2.5+3.5+6.0	1.28	1.61	2.25	3.86	----	9.00	3.09 ~ 9.66	2.86	0.64 ~ 3.43	12.7	2.8 ~ 15.2	98
2.0+2.5+3.5+7.1	1.19	1.49	2.09	4.23	----	9.00	3.23 ~ 10.12	2.79	0.64 ~ 3.98	12.4	2.8 ~ 17.7	98	
2.0+2.5+4.2+4.2	1.40	1.74	2.93	2.93	----	9.00	2.95 ~ 9.11	3.34	0.60 ~ 3.41	14.8	2.7 ~ 15.1	98	
2.0+2.5+4.2+5.0	1.32	1.64	2.76	3.28	----	9.00	3.05 ~ 9.23	3.22	0.64 ~ 3.37	14.3	2.8 ~ 15.0	98	
2.0+2.5+4.2+6.0	1.23	1.53	2.57	3.67	----	9.00	3.18 ~ 10.06	2.86	0.64 ~ 3.90	12.7	2.8 ~ 17.3	98	
2.0+2.5+5.0+5.0	1.25	1.55	3.10	3.10	----	9.00	3.16 ~ 9.40	3.11	0.64 ~ 3.39	13.8	2.8 ~ 15.0	98	
2.0+2.5+5.0+6.0	1.17	1.45	2.90	3.48	----	9.00	3.29 ~ 10.40	2.88	0.64 ~ 4.26	12.8	2.8 ~ 18.9	98	
2.0+3.5+3.5+3.5	1.44	2.52	2.52	2.52	----	9.00	2.89 ~ 9.05	3.34	0.60 ~ 3.39	14.8	2.7 ~ 15.0	98	
2.0+3.5+3.5+4.2	1.36	2.39	2.39	2.86	----	9.00	2.99 ~ 9.11	3.34	0.64 ~ 3.46	14.8	2.8 ~ 15.4	98	

3D059269

NOTES

- Cooling capacity is based on 27°CDB / 19°CWB (indoor temperature), 35°CDB (outdoor temperature).
- The total ability of connected a indoor unit is up to 9.0 kW
- The above is the value for connecting with the following indoor units.
2.0, 2.5, 3.5, 4.2, 5.0 kW class; wall mounted G series
6.0, 7.1 kW class; wall mounted F series
- Capacities are based on following conditions
Corresponding refrigerant piping length : 5m
Level difference : 0m

5 Capacity tables

5 - 1 Combination table

5MKS90E

Cooling [50Hz 230V]

Outdoor unit	Combination of indoor unit	Capacity of each indoor unit											
		Each capacity (kW)					Total capacity (kW)		Total input (W)		Total current (A)		Power factor %
		A Room	B Room	C Room	D Room	E Room	Rating	(Min.-max.)	Rating	(Min.-max.)	Rating	(Min.-max.)	Rating
5MKS90E7V3B	2.0+3.5+3.5+5.0	1.29	2.25	2.25	3.21	---	9.00	3.09 ~ 9.22	3.22	0.64 ~ 3.37	14.3	2.8 ~ 15.0	98
	2.0+3.5+3.5+6.0	1.20	2.10	2.10	3.60	---	9.00	3.22 ~ 10.10	2.86	0.64 ~ 3.97	12.7	2.8 ~ 17.6	98
	2.0+3.5+4.2+4.2	1.29	2.27	2.72	2.72	---	9.00	3.08 ~ 9.12	3.34	0.64 ~ 3.46	14.8	2.8 ~ 15.4	98
	2.0+3.5+4.2+5.0	1.23	2.14	2.57	3.06	---	9.00	3.18 ~ 9.66	3.22	0.67 ~ 3.88	14.3	3.0 ~ 17.2	98
	2.0+3.5+5.0+5.0	1.17	2.03	2.90	2.90	---	9.00	3.29 ~ 9.96	3.11	0.67 ~ 4.15	13.8	3.0 ~ 18.4	98
	2.0+4.2+4.2+4.2	1.23	2.59	2.59	2.59	---	9.00	3.17 ~ 9.13	3.34	0.67 ~ 3.46	14.8	3.0 ~ 15.4	98
	2.0+4.2+4.2+5.0	1.18	2.45	2.45	2.92	---	9.00	3.27 ~ 9.67	3.22	0.67 ~ 3.88	14.3	3.0 ~ 17.2	98
	2.5+2.5+2.5+2.5	2.03	2.03	2.03	2.03	---	8.12	2.57 ~ 8.85	2.67	0.54 ~ 3.19	11.8	2.4 ~ 14.2	98
	2.5+2.5+2.5+3.5	1.93	1.93	1.93	2.68	---	8.47	2.70 ~ 8.86	2.93	0.57 ~ 3.20	13.0	2.5 ~ 14.2	98
	2.5+2.5+2.5+4.2	1.87	1.86	1.86	3.13	---	8.72	2.79 ~ 9.04	3.13	0.57 ~ 3.34	13.9	2.5 ~ 14.8	98
	2.5+2.5+2.5+5.0	1.80	1.80	1.80	3.60	---	9.00	2.89 ~ 9.21	3.22	0.61 ~ 3.36	14.3	2.7 ~ 14.9	98
	2.5+2.5+2.5+6.0	1.67	1.67	1.67	3.99	---	9.00	3.02 ~ 9.65	2.93	0.61 ~ 3.43	13.0	2.7 ~ 15.2	98
	2.5+2.5+2.5+7.1	1.54	1.54	1.54	4.38	---	9.00	3.17 ~ 9.68	2.79	0.64 ~ 3.44	12.4	2.8 ~ 15.3	98
	2.5+2.5+3.5+3.5	1.84	1.84	2.57	2.57	---	8.82	2.83 ~ 9.04	3.20	0.60 ~ 3.34	14.2	2.7 ~ 14.8	98
	2.5+2.5+3.5+4.2	1.77	1.77	2.48	2.98	---	9.00	2.92 ~ 9.11	3.34	0.60 ~ 3.41	14.8	2.7 ~ 15.1	98
	2.5+2.5+3.5+5.0	1.67	1.67	2.33	3.33	---	9.00	3.02 ~ 9.22	3.22	0.64 ~ 3.36	14.3	2.8 ~ 14.9	98
	2.5+2.5+3.5+6.0	1.55	1.55	2.18	3.72	---	9.00	3.16 ~ 9.66	2.86	0.64 ~ 3.43	12.7	2.8 ~ 15.2	98
	2.5+2.5+3.5+7.1	1.44	1.44	2.02	4.10	---	9.00	3.30 ~ 10.12	2.79	0.67 ~ 3.98	12.4	3.0 ~ 17.7	98
	2.5+2.5+4.2+4.2	1.68	1.68	2.82	2.82	---	9.00	3.01 ~ 9.11	3.34	0.64 ~ 3.41	14.8	2.8 ~ 15.1	98
	2.5+2.5+4.2+5.0	1.59	1.58	2.66	3.17	---	9.00	3.12 ~ 9.23	3.22	0.64 ~ 3.37	14.3	2.8 ~ 15.0	98
	2.5+2.5+4.2+6.0	1.48	1.48	2.49	3.55	---	9.00	3.25 ~ 10.06	2.86	0.64 ~ 3.90	12.7	2.8 ~ 17.3	98
	2.5+2.5+5.0+5.0	1.50	1.50	3.00	3.00	---	9.00	3.22 ~ 9.95	3.11	0.67 ~ 4.15	13.8	3.0 ~ 18.4	98
	2.5+3.5+3.5+3.5	1.74	2.42	2.42	2.42	---	9.00	2.96 ~ 9.07	3.34	0.60 ~ 3.39	14.8	2.7 ~ 15.0	98
	2.5+3.5+3.5+4.2	1.64	2.30	2.30	2.76	---	9.00	3.05 ~ 9.13	3.34	0.64 ~ 3.46	14.8	2.8 ~ 15.4	98
	2.5+3.5+3.5+5.0	1.56	2.17	2.17	3.10	---	9.00	3.16 ~ 9.22	3.22	0.64 ~ 3.37	14.3	2.8 ~ 15.0	98
	2.5+3.5+3.5+6.0	1.46	2.03	2.03	3.48	---	9.00	3.29 ~ 10.10	2.86	0.67 ~ 3.97	12.7	3.0 ~ 17.6	98
	2.5+3.5+4.2+4.2	1.55	2.19	2.63	2.63	---	9.00	3.14 ~ 9.14	3.34	0.64 ~ 3.46	14.8	2.8 ~ 15.4	98
	2.5+3.5+4.2+5.0	1.48	2.07	2.49	2.96	---	9.00	3.25 ~ 9.66	3.22	0.67 ~ 3.88	14.3	3.0 ~ 17.2	98
	2.5+4.2+4.2+4.2	1.50	2.50	2.50	2.50	---	9.00	3.23 ~ 9.52	3.34	0.67 ~ 3.90	14.8	3.0 ~ 17.3	98
	3.5+3.5+3.5+3.5	2.25	2.25	2.25	2.25	---	9.00	3.09 ~ 9.05	3.34	0.64 ~ 3.39	14.8	2.8 ~ 15.0	98
	3.5+3.5+3.5+4.2	2.14	2.14	2.14	2.58	---	9.00	3.18 ~ 9.44	3.34	0.67 ~ 3.82	14.8	3.0 ~ 16.9	98
	3.5+3.5+3.5+5.0	2.03	2.03	2.03	2.91	---	9.00	3.29 ~ 9.66	3.22	0.67 ~ 3.88	14.3	3.0 ~ 17.2	98
	3.5+3.5+4.2+4.2	2.05	2.05	2.45	2.45	---	9.00	3.27 ~ 9.50	3.34	0.67 ~ 3.90	14.8	3.0 ~ 17.3	98
	2.0+2.0+2.0+2.0+2.0	1.63	1.63	1.63	1.63	1.63	8.15	2.57 ~ 9.03	2.40	0.55 ~ 3.00	10.6	2.4 ~ 13.3	98
	2.0+2.0+2.0+2.0+2.5	1.58	1.58	1.58	1.58	1.98	8.30	2.63 ~ 9.25	2.47	0.55 ~ 3.14	11.0	2.4 ~ 13.9	98
	2.0+2.0+2.0+2.0+3.5	1.50	1.50	1.50	1.50	2.65	8.65	2.76 ~ 9.64	2.73	0.58 ~ 3.43	12.1	2.6 ~ 15.2	98
	2.0+2.0+2.0+2.0+4.2	1.46	1.46	1.46	1.46	3.05	8.89	2.85 ~ 9.68	2.86	0.58 ~ 3.44	12.7	2.6 ~ 15.3	98
	2.0+2.0+2.0+2.0+5.0	1.38	1.38	1.38	1.38	3.48	9.00	2.96 ~ 9.85	2.88	0.61 ~ 3.46	12.8	2.7 ~ 15.4	98
	2.0+2.0+2.0+2.0+6.0	1.29	1.29	1.29	1.29	3.84	9.00	3.09 ~ 10.30	2.68	0.61 ~ 3.53	11.9	2.7 ~ 15.7	98
	2.0+2.0+2.0+2.0+7.1	1.19	1.19	1.19	1.19	4.24	9.00	3.23 ~ 10.46	2.58	0.64 ~ 3.70	11.4	2.8 ~ 16.4	98
	2.0+2.0+2.0+2.5+2.5	1.54	1.54	1.54	1.92	1.92	8.46	2.70 ~ 9.45	2.59	0.55 ~ 3.29	11.5	2.4 ~ 14.6	98
	2.0+2.0+2.0+2.5+3.5	1.47	1.47	1.47	1.84	2.57	8.82	2.83 ~ 9.67	2.79	0.58 ~ 3.43	12.4	2.6 ~ 15.2	98
	2.0+2.0+2.0+2.5+4.2	1.42	1.42	1.42	1.77	2.97	9.00	2.92 ~ 9.68	2.93	0.61 ~ 3.44	13.0	2.7 ~ 15.3	98
	2.0+2.0+2.0+2.5+5.0	1.33	1.33	1.33	1.67	3.34	9.00	3.02 ~ 9.85	2.88	0.61 ~ 3.46	12.8	2.7 ~ 15.4	98
	2.0+2.0+2.0+2.5+6.0	1.24	1.24	1.24	1.55	3.73	9.00	3.16 ~ 10.30	2.68	0.61 ~ 3.53	11.9	2.7 ~ 15.7	98
	2.0+2.0+2.0+2.5+7.1	1.15	1.15	1.15	1.44	3.84	9.00	3.30 ~ 10.50	2.58	0.64 ~ 3.70	11.4	2.8 ~ 16.4	98
	2.0+2.0+2.0+3.5+3.5	1.54	1.54	1.54	1.92	1.92	8.46	2.70 ~ 9.45	2.63	0.55 ~ 3.29	11.7	2.4 ~ 14.6	98
	2.0+2.0+2.0+3.5+4.2	1.31	1.31	1.31	2.31	2.76	9.00	3.05 ~ 9.69	2.93	0.61 ~ 3.44	13.0	2.7 ~ 15.3	98

3D059270

NOTES

- Cooling capacity is based on 27°CDB / 19°CWB (indoor temperature), 35°CDB (outdoor temperature).
- The total ability of connected a indoor unit is up to 9.0 kW
- The above is the value for connecting with the following indoor units.
2.0, 2.5, 3.5, 4.2, 5.0 kW class; wall mounted G series
6.0, 7.1 kW class; wall mounted F series
- Capacities are based on following conditions
Corresponding refrigerant piping length : 5m
Level difference : 0m

5 Capacity tables

5 - 1 Combination table

5MKS90E

Cooling [50Hz 230V]

Outdoor unit	Combination of indoor unit	Capacity of each indoor unit											
		Each capacity (kW)					Total capacity (kW)		Total input (W)		Total current (A)		Power factor %
		A Room	B Room	C Room	D Room	E Room	Rating	(Min.-max.)	Rating	(Min.-max.)	Rating	(Min.-max.)	Rating
5MKS90E7V3B	2.0+2.0+2.0+3.5+5.0	1.24	1.24	1.24	2.17	3.11	9.00	3.16 ~ 9.86	2.88	0.64 ~ 3.46	12.8	2.8 ~ 15.4	98
	2.0+2.0+2.0+3.5+6.0	1.16	1.16	1.16	2.03	3.49	9.00	3.29 ~ 10.49	2.65	0.64 ~ 3.69	11.8	2.8 ~ 16.4	98
	2.0+2.0+2.0+4.2+4.2	1.24	1.24	1.24	2.64	2.64	9.00	3.14 ~ 9.70	2.93	0.64 ~ 3.44	13.0	2.8 ~ 15.3	98
	2.0+2.0+2.0+4.2+5.0	1.18	1.18	1.18	2.49	2.84	9.00	3.25 ~ 10.21	2.88	0.64 ~ 3.86	12.8	2.8 ~ 17.1	98
	2.0+2.0+2.5+2.5+2.5	1.58	1.58	1.95	1.95	1.95	8.66	2.76 ~ 9.64	2.73	0.58 ~ 3.43	12.1	2.6 ~ 15.2	98
	2.0+2.0+2.5+2.5+3.5	1.44	1.44	1.80	1.80	2.52	9.00	2.89 ~ 9.67	2.93	0.58 ~ 3.43	13.0	2.6 ~ 15.2	98
	2.0+2.0+2.5+2.5+4.2	1.37	1.37	1.70	1.70	2.86	9.00	2.99 ~ 9.68	2.93	0.61 ~ 3.44	13.0	2.7 ~ 15.3	98
	2.0+2.0+2.5+2.5+5.0	1.29	1.29	1.61	1.61	3.20	9.00	3.09 ~ 9.85	2.88	0.61 ~ 3.46	12.8	2.7 ~ 15.4	98
	2.0+2.0+2.5+2.5+6.0	1.20	1.20	1.50	1.50	3.60	9.00	3.22 ~ 10.45	2.64	0.64 ~ 3.69	11.7	2.8 ~ 16.4	98
	2.0+2.0+2.5+3.5+3.5	1.33	1.33	1.68	2.33	2.33	9.00	3.02 ~ 9.68	2.93	0.61 ~ 3.44	13.0	2.7 ~ 15.3	98
	2.0+2.0+2.5+3.5+4.2	1.27	1.27	1.58	2.22	2.66	9.00	3.12 ~ 9.69	2.93	0.64 ~ 3.44	13.0	2.8 ~ 15.3	98
	2.0+2.0+2.5+3.5+5.0	1.20	1.20	1.50	2.10	3.00	9.00	3.22 ~ 10.42	2.88	0.64 ~ 4.26	12.8	2.8 ~ 18.9	98
	2.0+2.0+2.5+4.2+4.2	1.21	1.21	1.50	2.54	2.54	9.00	3.21 ~ 10.09	2.93	0.64 ~ 3.90	13.0	2.8 ~ 17.3	98
	2.0+2.0+3.5+3.5+3.5	1.23	1.23	2.18	2.18	2.18	9.00	3.16 ~ 9.69	2.93	0.64 ~ 3.44	13.0	2.8 ~ 15.3	98
	2.0+2.0+3.5+3.5+4.2	1.18	1.18	2.07	2.07	2.49	9.00	3.25 ~ 10.08	2.93	0.64 ~ 3.90	13.0	2.8 ~ 17.3	98
	2.0+2.5+2.5+2.5+2.5	1.48	1.84	1.84	1.84	1.84	8.82	2.83 ~ 9.67	2.86	0.58 ~ 3.43	12.7	2.6 ~ 15.2	98
	2.0+2.5+2.5+2.5+3.5	1.39	1.73	1.73	1.73	2.42	9.00	2.96 ~ 9.67	2.93	0.61 ~ 3.43	13.0	2.7 ~ 15.2	98
	2.0+2.5+2.5+2.5+4.2	1.32	1.64	1.64	1.64	2.76	9.00	3.05 ~ 9.68	2.93	0.61 ~ 3.44	13.0	2.7 ~ 15.3	98
	2.0+2.5+2.5+2.5+5.0	1.25	1.55	1.55	1.55	3.10	9.00	3.16 ~ 9.85	2.88	0.64 ~ 3.46	12.8	2.8 ~ 15.4	98
	2.0+2.5+2.5+2.5+6.0	1.17	1.45	1.45	1.45	3.48	9.00	3.29 ~ 10.49	2.64	0.64 ~ 3.77	11.7	2.8 ~ 16.7	98
	2.0+2.5+2.5+3.5+3.5	1.28	1.61	1.61	2.25	2.25	9.00	3.09 ~ 9.68	2.93	0.64 ~ 3.44	13.0	2.8 ~ 15.3	98
	2.0+2.5+2.5+3.5+4.2	1.23	1.53	1.53	2.14	2.57	9.00	3.18 ~ 10.08	2.93	0.64 ~ 3.90	13.0	2.8 ~ 17.3	98
	2.0+2.5+2.5+3.5+5.0	1.17	1.45	1.45	2.03	2.90	9.00	3.29 ~ 10.42	2.88	0.64 ~ 4.26	12.8	2.8 ~ 18.9	98
	2.0+2.5+2.5+4.2+4.2	1.18	1.46	1.46	2.45	2.45	9.00	3.25 ~ 10.09	2.93	0.64 ~ 3.90	13.0	2.8 ~ 17.3	98
	2.0+2.5+3.5+3.5+3.5	1.20	1.50	2.10	2.10	2.10	9.00	3.22 ~ 10.12	2.93	0.64 ~ 3.98	13.0	2.8 ~ 17.7	98
	2.5+2.5+2.5+2.5+2.5	1.80	1.80	1.80	1.80	1.80	9.00	2.89 ~ 9.67	2.93	0.58 ~ 3.43	13.0	2.6 ~ 15.2	98
	2.5+2.5+2.5+2.5+3.5	1.67	1.67	1.67	1.67	2.32	9.00	3.02 ~ 9.67	2.86	0.61 ~ 3.43	12.7	2.7 ~ 15.2	98
	2.5+2.5+2.5+2.5+4.2	1.58	1.58	1.58	1.58	2.88	9.00	3.12 ~ 9.68	2.86	0.64 ~ 3.44	12.7	2.8 ~ 15.3	98
	2.5+2.5+2.5+2.5+5.0	1.50	1.50	1.50	1.50	3.00	9.00	3.22 ~ 10.41	2.88	0.64 ~ 4.26	12.8	2.8 ~ 18.9	98
	2.5+2.5+2.5+3.5+3.5	1.56	1.56	1.56	2.16	2.16	9.00	3.16 ~ 9.68	2.93	0.64 ~ 3.44	13.0	2.8 ~ 15.3	98
2.5+2.5+2.5+3.5+4.2	1.48	1.48	1.48	2.07	2.49	9.00	3.25 ~ 10.08	2.93	0.64 ~ 3.90	13.0	2.8 ~ 17.3	98	
2.5+2.5+3.5+3.5+3.5	1.44	1.44	2.04	2.04	2.04	9.00	3.29 ~ 10.12	2.86	0.67 ~ 3.98	12.7	3.0 ~ 17.7	98	

3D059271

NOTES

- Cooling capacity is based on 27°CDB / 19°CWB (indoor temperature), 35°CDB (outdoor temperature).
- The total ability of connected a indoor unit is up to 9.0 kW
- The above is the value for connecting with the following indoor units.
2.0, 2.5, 3.5, 4.2, 5.0 kW class; wall mounted G series
6.0, 7.1 kW class; wall mounted F series
- Capacities are based on following conditions
Corresponding refrigerant piping length : 5m
Level difference : 0m

5 Capacity tables

5 - 2 Cooling capacity tables

3MKS50E (★ cooling 50Hz 230V)

Combination (Capacity)	Outdoor air temp. °CWB	Indoor air temp.: °CWB											
		14°C		16°C		18°C		19°C		22°C		24°C	
		TC kW	PI kW	TC kW	PI kW	TC kW	PI kW	TC kW	PI kW	TC kW	PI kW	TC kW	PI kW
2.0	22.0	2.63	0.54	3.04	0.62	3.17	0.63	3.24	0.64	3.44	0.66	3.57	0.67
	25.0	2.63	0.58	2.96	0.64	3.09	0.65	3.18	0.66	3.36	0.68	3.49	0.69
	32.0	2.63	0.68	2.77	0.70	2.90	0.71	2.97	0.72	3.17	0.73	3.30	0.74
	35.0	2.55	0.71	2.69	0.72	2.82	0.73	2.89	0.74	3.09	0.76	3.22	0.77
	40.0	2.42	0.76	2.56	0.77	2.69	0.78	2.76	0.79	2.96	0.80	3.09	0.82
	43.0	2.34	0.79	2.47	0.80	2.61	0.81	2.67	0.82	2.87	0.83	3.01	0.84
	46.0	2.26	0.82	2.39	0.83	2.53	0.84	2.59	0.85	2.79	0.86	2.93	0.87
2.5	22.0	2.63	0.54	3.23	0.62	3.43	0.64	3.50	0.65	3.71	0.66	3.86	0.68
	25.0	2.63	0.58	3.19	0.65	3.34	0.66	3.41	0.67	3.63	0.69	3.77	0.70
	32.0	2.63	0.68	2.99	0.71	3.14	0.72	3.21	0.72	3.42	0.74	3.57	0.75
	35.0	2.63	0.68	2.90	0.73	3.05	0.74	3.12	0.75	3.34	0.77	3.48	0.78
	40.0	2.62	0.77	2.76	0.78	2.90	0.79	2.97	0.80	3.19	0.81	3.33	0.83
	43.0	2.53	0.80	2.67	0.81	2.82	0.82	2.89	0.83	3.10	0.84	3.25	0.86
	46.0	2.44	0.83	2.58	0.84	2.73	0.85	2.80	0.86	3.02	0.87	3.16	0.89
3.5	22.0	3.00	0.66	3.68	0.83	4.42	1.03	4.73	1.11	5.02	1.14	5.22	1.16
	25.0	3.00	0.71	3.68	0.89	4.42	1.10	4.61	1.15	4.90	1.18	5.10	1.20
	32.0	3.00	0.84	3.68	1.06	4.24	1.24	4.34	1.25	4.63	1.28	4.82	1.30
	35.0	3.00	0.90	3.68	1.14	4.12	1.28	4.22	1.29	4.51	1.32	4.71	1.34
	40.0	3.00	1.03	3.68	1.31	3.93	1.36	4.02	1.37	4.32	1.40	4.51	1.42
	43.0	3.00	1.12	3.61	1.39	3.81	1.41	3.91	1.42	4.20	1.45	4.39	1.47
	46.0	3.00	1.22	3.50	1.44	3.69	1.46	3.79	1.47	4.08	1.50	4.27	1.52
4.2	22.0	3.00	0.66	3.68	0.83	4.42	1.03	4.61	1.18	5.38	1.31	5.59	1.33
	25.0	3.00	0.71	3.68	0.89	4.42	1.10	4.61	1.26	5.25	1.35	5.46	1.38
	32.0	3.00	0.84	3.68	1.06	4.42	1.36	4.65	1.43	4.96	1.47	5.17	1.49
	35.0	3.00	0.90	3.68	1.14	4.42	1.47	4.52	1.48	4.83	1.52	5.04	1.54
	40.0	3.00	1.03	3.68	1.31	4.21	1.56	4.31	1.57	4.62	1.61	4.83	1.63
	43.0	3.00	1.12	3.68	1.47	4.08	1.62	4.18	1.63	4.50	1.67	4.70	1.69
	46.0	3.00	1.22	3.68	1.61	3.95	1.68	4.08	1.69	4.37	1.73	4.58	1.75
2.0+2.0	22.0	5.28	1.27	6.27	1.60	6.54	1.63	6.68	1.65	7.09	1.69	7.37	1.72
	25.0	5.28	1.37	6.10	1.66	6.38	1.69	6.52	1.70	6.93	1.75	7.20	1.78
	32.0	5.28	1.67	5.71	1.80	5.99	1.83	6.13	1.85	6.54	1.89	6.81	1.92
	35.0	5.28	1.83	5.55	1.87	5.82	1.90	5.96	1.91	6.37	1.96	6.65	1.99
	40.0	5.00	1.95	5.27	1.98	5.55	2.01	5.68	2.03	6.09	2.08	6.37	2.11
	43.0	4.83	2.03	5.10	2.06	5.38	2.09	5.52	2.10	5.93	2.15	6.20	2.18
	46.0	4.63	2.07	4.86	2.07	5.10	2.07	5.21	2.07	5.55	2.07	5.76	2.07
2.0+2.5	22.0	5.28	1.27	6.46	1.75	6.84	1.83	6.98	1.84	7.41	1.90	7.70	1.93
	25.0	5.28	1.37	6.38	1.86	6.67	1.89	6.81	1.91	7.24	1.96	7.53	1.99
	32.0	5.28	1.67	5.97	2.02	6.26	2.05	6.40	2.07	6.83	2.12	7.12	2.15
	35.0	5.28	1.83	5.80	2.09	6.09	2.13	6.23	2.14	6.66	2.19	6.95	2.23
	40.0	5.22	2.19	5.51	2.22	5.80	2.26	5.94	2.27	6.37	2.33	6.66	2.36
	43.0	5.05	2.27	5.34	2.31	5.62	2.34	5.77	2.36	6.20	2.41	6.48	2.44
	46.0	4.63	2.07	4.86	2.07	5.09	2.07	5.20	2.07	5.52	2.07	5.73	2.07

NOTES

- Capacities are based on the following conditions:
Corresponding refrigerant piping length: 5m
Level difference: 0m
- The bold line **□** is indicated the standard condition.
- The above is the value for connecting with the following indoor units.
2.0, 2.5, 3.5, 4.2 kW class; wall mounted G series

SYMBOLS

- TC: Total capacity (kW)
PI: Power input (kW)

3D059603A

5 Capacity tables

5 - 2 Cooling capacity tables

3MKS50E (★ cooling 50Hz 230V)

Combination (Capacity)	Outdoor air temp. °CWB	Indoor air temp.: °CWB											
		14°C		16°C		18°C		19°C		22°C		24°C	
		TC kW	PI kW	TC kW	PI kW	TC kW	PI kW	TC kW	PI kW	TC kW	PI kW	TC kW	PI kW
3.5+4.2	22.0	6.00	1.57	6.74	1.80	7.04	1.84	7.19	1.85	7.63	1.90	7.92	1.94
	25.0	6.00	1.70	6.56	1.86	6.86	1.90	7.01	1.92	7.45	1.97	7.75	2.00
	32.0	5.85	1.99	6.15	2.03	6.44	2.06	6.59	2.08	7.03	2.13	7.33	2.16
	35.0	5.67	2.07	5.97	2.10	6.26	2.14	6.41	2.15	6.85	2.20	7.15	2.24
	40.0	5.37	2.20	5.67	2.23	5.96	2.27	6.11	2.28	6.55	2.34	6.85	2.37
	43.0	5.19	2.28	5.49	2.32	5.78	2.35	5.93	2.37	6.38	2.42	6.67	2.45
	46.0	4.75	2.07	4.98	2.07	5.21	2.07	5.32	2.07	5.85	2.07	5.87	2.07
4.2+4.2	22.0	6.00	1.57	6.75	1.80	7.05	1.84	7.20	1.85	7.64	1.90	7.94	1.94
	25.0	6.00	1.70	6.57	1.86	6.87	1.90	7.02	1.92	7.46	1.97	7.76	2.00
	32.0	5.86	1.99	6.16	2.03	6.45	2.06	6.60	2.08	7.04	2.13	7.34	2.16
	35.0	5.68	2.07	5.98	2.10	6.27	2.14	6.42	2.15	6.86	2.20	7.16	2.24
	40.0	5.38	2.20	5.68	2.23	5.97	2.27	6.12	2.28	6.56	2.34	6.86	2.37
	43.0	5.20	2.28	5.50	2.32	5.79	2.35	5.94	2.37	6.39	2.42	6.68	2.45
	46.0	4.76	2.07	4.99	2.07	5.22	2.07	5.33	2.07	5.86	2.07	5.88	2.07
2.0+2.0+2.0	22.0	7.08	1.78	7.41	1.81	7.73	1.84	7.89	1.86	8.38	1.91	8.70	1.95
	25.0	6.88	1.84	7.21	1.87	7.53	1.91	7.70	1.93	8.18	1.98	8.51	2.01
	32.0	6.43	2.00	6.75	2.04	7.07	2.07	7.24	2.09	7.72	2.14	8.05	2.17
	35.0	6.23	2.08	6.55	2.11	6.88	2.15	7.04	2.16	7.53	2.21	7.85	2.25
	40.0	5.90	2.21	6.23	2.24	6.55	2.28	6.71	2.29	7.20	2.35	7.52	2.38
	43.0	5.70	2.29	6.03	2.33	6.35	2.36	6.52	2.38	7.00	2.43	7.33	2.47
	46.0	5.17	2.07	5.42	2.07	5.67	2.07	5.79	2.07	6.14	2.07	6.37	2.07
2.0+2.0+2.5	22.0	7.08	1.78	7.41	1.81	7.73	1.84	7.89	1.86	8.38	1.91	8.70	1.95
	25.0	6.88	1.84	7.21	1.87	7.53	1.91	7.70	1.93	8.18	1.98	8.51	2.01
	32.0	6.43	2.00	6.75	2.04	7.07	2.07	7.24	2.09	7.72	2.14	8.05	2.17
	35.0	6.23	2.08	6.55	2.11	6.88	2.15	7.04	2.16	7.53	2.21	7.85	2.25
	40.0	5.90	2.21	6.23	2.24	6.55	2.28	6.71	2.29	7.20	2.35	7.52	2.38
	43.0	5.70	2.29	6.03	2.33	6.35	2.36	6.52	2.38	7.00	2.43	7.33	2.47
	46.0	5.17	2.07	5.42	2.07	5.67	2.07	5.79	2.07	6.14	2.07	6.37	2.07
2.0+2.0+3.5	22.0	7.10	1.78	7.43	1.81	7.75	1.84	7.91	1.86	8.40	1.91	8.73	1.95
	25.0	6.90	1.84	7.23	1.87	7.55	1.91	7.72	1.93	8.21	1.98	8.53	2.01
	32.0	6.44	2.00	6.77	2.04	7.09	2.07	7.26	2.09	7.75	2.14	8.07	2.17
	35.0	6.25	2.08	6.57	2.11	6.90	2.15	7.06	2.16	7.55	2.21	7.87	2.25
	40.0	5.92	2.21	6.24	2.24	6.57	2.28	6.73	2.29	7.22	2.35	7.54	2.38
	43.0	5.72	2.29	6.05	2.33	6.37	2.36	6.53	2.38	7.02	2.43	7.35	2.47
	46.0	5.18	2.07	5.44	2.07	5.68	2.07	5.81	2.07	6.16	2.07	6.39	2.07
2.0+2.0+4.2	22.0	7.11	1.78	7.44	1.81	7.76	1.84	7.93	1.86	8.41	1.91	8.74	1.95
	25.0	6.91	1.84	7.24	1.87	7.57	1.91	7.73	1.93	8.22	1.98	8.54	2.01
	32.0	6.45	2.00	6.78	2.04	7.10	2.07	7.27	2.09	7.76	2.14	8.08	2.17
	35.0	6.26	2.08	6.58	2.11	6.91	2.15	7.07	2.16	7.56	2.21	7.88	2.25
	40.0	5.93	2.21	6.25	2.24	6.58	2.28	6.74	2.29	7.23	2.35	7.56	2.38
	43.0	5.73	2.29	6.05	2.33	6.38	2.36	6.54	2.38	7.03	2.43	7.36	2.47
	46.0	5.19	2.07	5.44	2.07	5.68	2.07	5.81	2.07	6.17	2.07	6.40	2.07

NOTES

- Capacities are based on the following conditions:
Corresponding refrigerant piping length: 5m
Level difference: 0m
- The bold line is indicated the standard condition.
- The above is the value for connecting with the following indoor units.
2.0, 2.5, 3.5, 4.2 kW class; wall mounted G series

SYMBOLS

- TC: Total capacity (kW)
PI: Power input (kW)

3D059604A

5 Capacity tables

5 - 2 Cooling capacity tables

3MKS50E (★ cooling 50Hz 230V)

Combination (Capacity)	Outdoor air temp. °CWB	Indoor air temp. °CWB											
		14°C		16°C		18°C		19°C		22°C		24°C	
		TC kW	PI kW	TC kW	PI kW	TC kW	PI kW	TC kW	PI kW	TC kW	PI kW	TC kW	PI kW
2.0+3.5	22.0	5.63	1.42	6.56	1.73	6.85	1.77	7.00	1.78	7.43	1.83	7.71	1.87
	25.0	5.63	1.54	6.39	1.80	6.68	1.83	6.82	1.85	7.25	1.89	7.54	1.93
	32.0	5.63	1.88	5.98	1.95	6.27	1.98	6.41	2.00	6.85	2.05	7.13	2.08
	35.0	5.52	1.99	5.81	2.02	6.10	2.06	6.24	2.07	6.67	2.12	6.96	2.15
	40.0	5.29	2.12	5.52	2.15	5.81	2.18	5.95	2.20	6.38	2.25	6.67	2.28
	43.0	5.06	2.20	5.34	2.23	5.63	2.26	5.78	2.28	6.21	2.33	6.49	2.36
	46.0	4.89	2.07	4.92	2.07	5.15	2.07	5.27	2.07	5.60	2.07	5.81	2.07
2.0+4.2	22.0	5.63	1.42	6.57	1.73	6.86	1.77	7.01	1.78	7.44	1.83	7.73	1.87
	25.0	5.63	1.54	6.40	1.80	6.69	1.83	6.83	1.85	7.26	1.89	7.55	1.93
	32.0	5.63	1.88	5.99	1.95	6.28	1.98	6.42	2.00	6.86	2.05	7.14	2.08
	35.0	5.53	1.99	5.82	2.02	6.11	2.06	6.25	2.07	6.68	2.12	6.97	2.15
	40.0	5.24	2.12	5.53	2.15	5.82	2.18	5.96	2.20	6.39	2.25	6.68	2.28
	43.0	5.06	2.20	5.35	2.23	5.64	2.26	5.78	2.28	6.22	2.33	6.50	2.36
	46.0	4.70	2.07	4.93	2.07	5.16	2.07	5.27	2.07	5.60	2.07	5.82	2.07
2.5+2.5	22.0	5.26	1.32	6.46	1.75	6.84	1.83	6.98	1.84	7.41	1.90	7.70	1.93
	25.0	5.26	1.42	6.38	1.86	6.67	1.89	6.81	1.91	7.24	1.96	7.53	1.99
	32.0	5.26	1.72	5.97	2.02	6.26	2.05	6.40	2.07	6.83	2.12	7.12	2.15
	35.0	5.26	1.89	5.80	2.09	6.09	2.13	6.23	2.14	6.66	2.19	6.95	2.23
	40.0	5.22	2.19	5.51	2.22	5.80	2.26	5.94	2.27	6.37	2.33	6.66	2.36
	43.0	5.05	2.27	5.34	2.31	5.62	2.34	5.77	2.36	6.20	2.41	6.48	2.44
	46.0	4.63	2.07	4.86	2.07	5.09	2.07	5.20	2.07	5.52	2.07	5.73	2.07
2.5+3.5	22.0	5.63	1.43	6.68	1.81	6.97	1.84	7.12	1.86	7.56	1.91	7.85	1.95
	25.0	5.63	1.55	6.50	1.87	6.80	1.81	6.94	1.93	7.38	1.98	7.67	2.01
	32.0	5.63	1.90	6.09	2.04	6.38	2.07	6.53	2.09	6.97	2.14	7.26	2.17
	35.0	5.62	2.08	5.91	2.11	6.20	2.15	6.35	2.16	6.79	2.21	7.08	2.25
	40.0	5.32	2.21	5.62	2.24	5.91	2.28	6.05	2.29	6.49	2.35	6.79	2.38
	43.0	5.15	2.29	5.44	2.33	5.73	2.36	5.88	2.38	6.32	2.43	6.61	2.47
	46.0	4.70	2.07	4.93	2.07	5.16	2.07	5.27	2.07	5.60	2.07	5.81	2.07
2.5+4.2	22.0	5.63	1.43	6.69	1.81	6.98	1.84	7.13	1.86	7.57	1.91	7.86	1.95
	25.0	5.63	1.55	6.51	1.87	6.81	1.91	6.95	1.93	7.39	1.98	7.68	2.01
	32.0	5.63	1.90	6.10	2.04	6.39	2.07	6.54	2.09	6.98	2.14	7.27	2.17
	35.0	5.63	2.08	5.92	2.11	6.21	2.15	6.36	2.16	6.80	2.21	7.09	2.25
	40.0	5.33	2.21	5.62	2.24	5.92	2.28	6.06	2.29	6.50	2.35	6.80	2.38
	43.0	5.15	2.29	5.45	2.33	5.74	2.36	5.89	2.38	6.33	2.43	6.62	2.47
	46.0	4.71	2.07	4.94	2.07	5.17	2.07	5.28	2.07	5.61	2.07	5.82	2.07
3.5+3.5	22.0	6.00	1.57	6.73	1.80	7.03	1.84	7.17	1.85	7.62	1.90	7.91	1.94
	25.0	6.00	1.70	6.55	1.86	6.85	1.90	7.00	1.92	7.44	1.97	7.73	2.00
	32.0	5.84	1.99	6.14	2.03	6.43	2.06	6.58	2.08	7.02	2.13	7.32	2.16
	35.0	5.66	2.07	5.96	2.10	6.25	2.14	6.40	2.15	6.84	2.20	7.14	2.24
	40.0	5.36	2.20	5.66	2.23	5.95	2.27	6.10	2.28	6.54	2.34	6.84	2.37
	43.0	5.19	2.28	5.48	2.32	5.78	2.35	5.92	2.37	6.37	2.42	6.66	2.45
	46.0	4.74	2.07	4.98	2.07	5.21	2.07	5.32	2.07	5.65	2.07	5.86	2.07

NOTES

- Capacities are based on the following conditions:
Corresponding refrigerant piping length: 5m
Level difference: 0m
- The bold line **□** is indicated the standard condition.
- The above is the value for connecting with the following indoor units.
2.0, 2.5, 3.5, 4.2 kW class; wall mounted G series

SYMBOLS

- TC: Total capacity (kW)
PI: Power input (kW)

3D059603B

5 Capacity tables

5 - 2 Cooling capacity tables

3MKS50E (★ cooling 50Hz 230V)

Combination (Capacity)	Outdoor air temp. °CWB	Indoor air temp.: °CWB											
		14°C		16°C		18°C		19°C		22°C		24°C	
		TC	PI	TC	PI	TC	PI	TC	PI	TC	PI	TC	PI
		kW	kW	kW	kW	kW	kW	kW	kW	kW	kW	kW	kW
2.0+2.5+2.5	22.0	7.08	1.78	7.41	1.81	7.73	1.84	7.89	1.86	8.38	1.91	8.70	1.95
	25.0	6.88	1.84	7.21	1.87	7.53	1.91	7.70	1.93	8.18	1.98	8.51	2.01
	32.0	6.43	2.00	6.75	2.04	7.07	2.07	7.24	2.09	7.72	2.14	8.05	2.17
	35.0	6.23	2.08	6.55	2.11	6.88	2.15	7.04	2.16	7.53	2.21	7.85	2.25
	40.0	5.90	2.21	6.23	2.24	6.55	2.28	6.71	2.29	7.20	2.35	7.52	2.38
	43.0	5.70	2.29	6.03	2.33	6.35	2.36	6.52	2.38	7.00	2.43	7.33	2.47
	46.0	5.17	2.07	5.42	2.07	5.87	2.07	5.79	2.07	6.14	2.07	6.37	2.07
2.0+2.5+3.5	22.0	7.10	1.78	7.43	1.81	7.75	1.84	7.91	1.86	8.40	1.91	8.73	1.95
	25.0	6.90	1.84	7.23	1.87	7.55	1.91	7.72	1.93	8.21	1.98	8.53	2.01
	32.0	6.44	2.00	6.77	2.04	7.09	2.07	7.26	2.09	7.75	2.14	8.07	2.17
	35.0	6.25	2.08	6.57	2.11	6.90	2.15	7.06	2.16	7.55	2.21	7.87	2.25
	40.0	5.92	2.21	6.24	2.24	6.57	2.28	6.73	2.29	7.22	2.35	7.54	2.38
	43.0	5.72	2.29	6.05	2.33	6.37	2.36	6.53	2.38	7.02	2.43	7.33	2.47
	46.0	5.18	2.07	5.44	2.07	5.88	2.07	5.81	2.07	6.16	2.07	6.39	2.07
2.0+2.5+4.2	22.0	7.11	1.78	7.44	1.81	7.76	1.84	7.93	1.86	8.41	1.91	8.74	1.95
	25.0	6.91	1.84	7.24	1.87	7.57	1.91	7.73	1.93	8.22	1.98	8.54	2.01
	32.0	6.45	2.00	6.78	2.04	7.10	2.07	7.27	2.09	7.76	2.14	8.08	2.17
	35.0	6.26	2.08	6.58	2.11	6.91	2.15	7.07	2.16	7.56	2.21	7.88	2.25
	40.0	5.93	2.21	6.25	2.24	6.58	2.28	6.74	2.29	7.23	2.35	7.56	2.38
	43.0	5.73	2.29	6.05	2.33	6.38	2.36	6.54	2.38	7.03	2.43	7.36	2.47
	46.0	5.19	2.07	5.44	2.07	5.88	2.07	5.81	2.07	6.17	2.07	6.40	2.07
2.0+3.5+3.5	22.0	7.11	1.78	7.44	1.81	7.76	1.84	7.93	1.86	8.41	1.91	8.74	1.95
	25.0	6.91	1.84	7.24	1.87	7.57	1.91	7.73	1.93	8.22	1.98	8.54	2.01
	32.0	6.45	2.00	6.78	2.04	7.10	2.07	7.27	2.09	7.76	2.14	8.08	2.17
	35.0	6.26	2.08	6.58	2.11	6.91	2.15	7.07	2.16	7.56	2.21	7.88	2.25
	40.0	5.93	2.21	6.25	2.24	6.58	2.28	6.74	2.29	7.23	2.35	7.56	2.38
	43.0	5.73	2.29	6.05	2.33	6.38	2.36	6.54	2.38	7.03	2.43	7.36	2.47
	46.0	5.19	2.07	5.44	2.07	5.88	2.07	5.81	2.07	6.17	2.07	6.40	2.07
2.5+2.5+2.5	22.0	7.08	1.78	7.41	1.81	7.73	1.84	7.89	1.86	8.38	1.91	8.70	1.95
	25.0	6.88	1.84	7.21	1.87	7.53	1.91	7.70	1.93	8.18	1.98	8.51	2.01
	32.0	6.43	2.00	6.75	2.04	7.07	2.07	7.24	2.09	7.72	2.14	8.05	2.17
	35.0	6.23	2.08	6.55	2.11	6.88	2.15	7.04	2.16	7.53	2.21	7.85	2.25
	40.0	5.90	2.21	6.23	2.24	6.55	2.28	6.71	2.29	7.20	2.35	7.52	2.38
	43.0	5.70	2.29	6.03	2.33	6.35	2.36	6.52	2.38	7.00	2.43	7.33	2.47
	46.0	5.17	2.07	5.42	2.07	5.87	2.07	5.79	2.07	6.14	2.07	6.37	2.07
2.5+2.5+3.5	22.0	7.10	1.78	7.43	1.81	7.75	1.84	7.91	1.86	8.40	1.91	8.73	1.95
	25.0	6.90	1.84	7.23	1.87	7.55	1.91	7.72	1.93	8.21	1.98	8.53	2.01
	32.0	6.44	2.00	6.77	2.04	7.09	2.07	7.26	2.09	7.75	2.14	8.07	2.17
	35.0	6.25	2.08	6.57	2.11	6.90	2.15	7.06	2.16	7.55	2.21	7.87	2.25
	40.0	5.92	2.21	6.24	2.24	6.57	2.28	6.73	2.29	7.22	2.35	7.54	2.38
	43.0	5.72	2.29	6.05	2.33	6.37	2.36	6.53	2.38	7.02	2.43	7.35	2.47
	46.0	5.18	2.07	5.44	2.07	5.88	2.07	5.81	2.07	6.16	2.07	6.39	2.07

NOTES

- Capacities are based on the following conditions:
Corresponding refrigerant piping length: 5m
Level difference: 0m
- The bold line is indicated the standard condition.
- The above is the value for connecting with the following indoor units.
2.0, 2.5, 3.5, 4.2 kW class; wall mounted G series

SYMBOLS

- TC: Total capacity (kW)
PI: Power input (kW)

3D059604B

5 Capacity tables

5 - 2 Cooling capacity tables

3MKS50E (★ cooling 50Hz 230V)

Combination (Capacity)	Outdoor air temp. °CWB	Indoor air temp.: °CWB											
		14°C		16°C		18°C		19°C		22°C		24°C	
		TC kW	PI kW	TC kW	PI kW	TC kW	PI kW	TC kW	PI kW	TC kW	PI kW	TC kW	PI kW
2.5+2.5+4.2	22.0	7.11	1.78	7.44	1.81	7.76	1.84	7.93	1.86	8.41	1.91	8.74	1.95
	25.0	6.91	1.84	7.24	1.87	7.57	1.91	7.73	1.93	8.22	1.98	8.54	2.01
	32.0	6.45	2.00	6.78	2.04	7.10	2.07	7.27	2.09	7.76	2.14	8.08	2.17
	35.0	6.26	2.08	6.58	2.11	6.91	2.15	7.07	2.16	7.56	2.21	7.88	2.25
	40.0	5.93	2.21	6.25	2.24	6.58	2.28	6.74	2.29	7.23	2.35	7.56	2.38
	43.0	5.73	2.29	6.05	2.33	6.38	2.36	6.54	2.38	7.03	2.43	7.36	2.47
	46.0	5.19	2.07	5.44	2.07	5.69	2.07	5.81	2.07	6.17	2.07	6.40	2.07
2.5+3.5+3.5	22.0	7.11	1.78	7.44	1.81	7.76	1.84	7.93	1.86	8.41	1.91	8.74	1.95
	25.0	6.91	1.84	7.24	1.87	7.57	1.91	7.73	1.93	8.22	1.98	8.54	2.01
	32.0	6.45	2.00	6.78	2.04	7.10	2.07	7.27	2.09	7.76	2.14	8.08	2.17
	35.0	6.26	2.08	6.58	2.11	6.91	2.15	7.07	2.16	7.56	2.21	7.88	2.25
	40.0	5.93	2.21	6.25	2.24	6.58	2.28	6.74	2.29	7.23	2.35	7.56	2.38
	43.0	5.73	2.29	6.05	2.33	6.38	2.36	6.54	2.38	7.03	2.43	7.36	2.47
	46.0	5.19	2.07	5.44	2.07	5.69	2.07	5.81	2.07	6.17	2.07	6.40	2.07

NOTES

- Capacities are based on the following conditions:
Corresponding refrigerant piping length: 5m
Level difference: 0m
- The bold line **□** is indicated the standard condition.
- The above is the value for connecting with the following indoor units.
2.0, 2.5, 3.5, 4.2 kW class; wall mounted G series

SYMBOLS

- TC: Total capacity (kW)
PI: Power input (kW)

3D059605

5 Capacity tables

5 - 2 Cooling capacity tables

4MKS58E (★ cooling 50Hz 230V)

Combination (Capacity)	Outdoor air temp. °CWB	Indoor air temp.: °CWB											
		14°C		16°C		18°C		19°C		22°C		24°C	
		TC kW	PI kW	TC kW	PI kW	TC kW	PI kW	TC kW	PI kW	TC kW	PI kW	TC kW	PI kW
2.0	22.0	2.63	0.54	3.04	0.62	3.17	0.63	3.24	0.64	3.44	0.66	3.57	0.67
	25.0	2.63	0.58	2.96	0.64	3.09	0.65	3.16	0.66	3.36	0.68	3.49	0.69
	32.0	2.63	0.68	2.77	0.70	2.90	0.71	2.97	0.72	3.17	0.73	3.30	0.74
	35.0	2.56	0.71	2.69	0.72	2.82	0.73	2.89	0.74	3.09	0.76	3.22	0.77
	40.0	2.42	0.76	2.56	0.77	2.69	0.78	2.76	0.79	2.96	0.80	3.09	0.82
	43.0	2.34	0.79	2.47	0.80	2.61	0.81	2.67	0.82	2.87	0.83	3.01	0.84
	46.0	2.26	0.82	2.39	0.83	2.53	0.84	2.59	0.85	2.79	0.86	2.93	0.87
2.5	22.0	2.63	0.54	3.23	0.72	3.43	0.75	3.50	0.76	3.71	0.78	3.86	0.79
	25.0	2.63	0.58	3.19	0.76	3.34	0.78	3.41	0.78	3.63	0.81	3.77	0.82
	32.0	2.63	0.68	2.99	0.83	3.14	0.84	3.21	0.85	3.42	0.87	3.57	0.89
	35.0	2.63	0.79	2.90	0.86	3.05	0.87	3.12	0.88	3.34	0.90	3.48	0.92
	40.0	2.62	0.90	2.76	0.91	2.90	0.93	2.97	0.93	3.19	0.96	3.33	0.97
	43.0	2.53	0.93	2.67	0.95	2.82	0.96	2.89	0.97	3.10	0.99	3.25	1.00
	46.0	2.44	0.97	2.58	0.98	2.73	1.00	2.80	1.00	3.02	1.03	3.16	1.04
3.5	22.0	3.00	0.66	3.68	0.83	4.42	1.03	4.73	1.11	5.02	1.14	5.22	1.16
	25.0	3.00	0.71	3.68	0.89	4.42	1.10	4.61	1.15	4.90	1.18	5.10	1.20
	32.0	3.00	0.84	3.68	1.06	4.24	1.24	4.34	1.25	4.63	1.28	4.82	1.30
	35.0	3.00	0.90	3.68	1.14	4.12	1.28	4.22	1.29	4.51	1.32	4.71	1.34
	40.0	3.00	1.03	3.68	1.31	3.93	1.36	4.02	1.37	4.32	1.40	4.51	1.42
	43.0	3.00	1.12	3.61	1.39	3.81	1.41	3.91	1.42	4.20	1.45	4.39	1.47
	46.0	3.00	1.22	3.50	1.44	3.69	1.46	3.79	1.47	4.08	1.50	4.27	1.52
4.2	22.0	3.00	0.66	3.68	0.83	4.42	1.03	4.81	1.20	5.59	1.43	5.81	1.45
	25.0	3.00	0.71	3.68	0.89	4.42	1.10	4.81	1.29	5.46	1.47	5.68	1.50
	32.0	3.00	0.84	3.68	1.06	4.42	1.39	4.81	1.54	5.16	1.59	5.37	1.62
	35.0	3.00	0.90	3.68	1.14	4.42	1.50	4.70	1.61	5.02	1.65	5.24	1.68
	40.0	3.00	1.03	3.68	1.31	4.37	1.70	4.48	1.71	4.81	1.75	5.02	1.77
	43.0	3.00	1.12	3.68	1.49	4.24	1.76	4.35	1.77	4.67	1.81	4.89	1.84
	46.0	3.00	1.22	3.68	1.64	4.11	1.83	4.22	1.84	4.54	1.88	4.76	1.90
5.0	22.0	3.68	0.92	4.52	1.18	5.43	1.49	5.90	1.68	6.43	1.80	6.88	1.83
	25.0	3.68	0.98	4.52	1.27	5.43	1.61	5.90	1.81	6.28	1.86	6.52	1.89
	32.0	3.68	1.17	4.52	1.51	5.43	1.95	5.55	1.96	5.92	2.01	6.17	2.04
	35.0	3.68	1.26	4.52	1.64	5.28	2.02	5.40	2.03	5.77	2.08	6.02	2.11
	40.0	3.68	1.45	4.52	1.91	5.02	2.14	5.15	2.16	5.52	2.21	5.77	2.24
	43.0	3.68	1.58	4.52	2.10	4.87	2.22	5.00	2.24	5.37	2.28	5.62	2.32
	46.0	3.68	1.74	4.33	2.07	4.53	2.07	4.63	2.07	4.93	2.07	5.12	2.07
2.0+2.0	22.0	5.26	1.27	6.27	1.60	6.54	1.63	6.68	1.65	7.09	1.69	7.37	1.72
	25.0	5.26	1.37	6.10	1.66	6.38	1.69	6.52	1.70	6.93	1.75	7.20	1.78
	32.0	5.26	1.67	5.71	1.80	5.99	1.83	6.13	1.85	6.54	1.89	6.81	1.92
	35.0	5.26	1.83	5.55	1.87	5.82	1.90	5.96	1.91	6.37	1.96	6.65	1.99
	40.0	5.00	1.95	5.27	1.98	5.55	2.01	5.68	2.03	6.09	2.08	6.37	2.11
	43.0	4.83	2.03	5.10	2.06	5.38	2.09	5.52	2.10	5.93	2.15	6.20	2.18
	46.0	4.63	2.07	4.86	2.07	5.10	2.07	5.21	2.07	5.55	2.07	5.76	2.07

NOTES

- Capacities are based on the following conditions:
Corresponding refrigerant piping length: 5m
Level difference: 0m
- The bold line is indicated the standard condition.
- The above is the value for connecting with the following indoor units.
2.0, 2.5, 3.5, 4.2 kW class; wall mounted G series

SYMBOLS

- TC: Total capacity (kW)
PI: Power input (kW)

3D059226A

5 Capacity tables

5 - 2 Cooling capacity tables

4MKS58E (★ cooling 50Hz 230V)

Combination (Capacity)	Outdoor air temp. °CWB	Indoor air temp.: °CWB											
		14°C		16°C		18°C		19°C		22°C		24°C	
		TC kW	PI kW	TC kW	PI kW	TC kW	PI kW	TC kW	PI kW	TC kW	PI kW	TC kW	PI kW
2.5+4.2	22.0	5.63	1.43	6.69	1.81	6.98	1.84	7.13	1.86	7.57	1.91	7.86	1.95
	25.0	5.63	1.55	6.51	1.87	6.81	1.91	6.95	1.93	7.39	1.98	7.68	2.01
	32.0	5.63	1.89	6.10	2.04	6.39	2.07	6.54	2.09	6.98	2.14	7.27	2.17
	35.0	5.63	2.08	5.92	2.11	6.21	2.15	6.36	2.16	6.80	2.21	7.09	2.25
	40.0	5.33	2.21	5.62	2.24	5.92	2.28	6.06	2.29	6.50	2.35	6.80	2.38
	43.0	5.15	2.29	5.45	2.33	5.74	2.36	5.89	2.38	6.33	2.43	6.62	2.47
	46.0	4.71	2.07	4.94	2.07	5.17	2.07	5.28	2.07	5.61	2.07	5.82	2.07
2.5+5.0	22.0	6.31	1.61	6.81	1.73	7.10	1.77	7.25	1.78	7.70	1.83	8.00	1.87
	25.0	6.31	1.76	6.63	1.80	6.92	1.83	7.07	1.85	7.52	1.89	7.82	1.93
	32.0	5.91	1.92	6.20	1.95	6.50	1.98	6.65	2.00	7.10	2.05	7.40	2.08
	35.0	5.72	1.99	6.02	2.02	6.32	2.06	6.47	2.07	6.92	2.12	7.22	2.15
	40.0	5.42	2.12	5.72	2.15	6.02	2.18	6.17	2.20	6.62	2.25	6.91	2.28
	43.0	5.24	2.20	5.54	2.23	5.84	2.26	5.99	2.28	6.44	2.33	6.73	2.36
	46.0	4.85	2.07	5.09	2.07	5.33	2.07	5.45	2.07	5.79	2.07	6.01	2.07
3.5+3.5	22.0	6.00	1.57	6.73	1.81	7.03	1.84	7.17	1.86	7.62	1.91	7.91	1.95
	25.0	6.00	1.71	6.55	1.87	6.85	1.91	7.00	1.93	7.44	1.98	7.73	2.01
	32.0	5.84	2.00	6.14	2.04	6.43	2.07	6.58	2.09	7.02	2.14	7.32	2.17
	35.0	5.66	2.08	5.96	2.11	6.25	2.15	6.40	2.16	6.84	2.21	7.14	2.25
	40.0	5.36	2.21	5.66	2.24	5.95	2.28	6.10	2.29	6.54	2.35	6.84	2.38
	43.0	5.19	2.29	5.48	2.33	5.78	2.36	5.92	2.38	6.37	2.43	6.66	2.47
	46.0	4.74	2.07	4.97	2.07	5.20	2.07	5.31	2.07	5.64	2.07	5.85	2.07
3.5+4.2	22.0	6.00	1.57	6.74	1.81	7.04	1.84	7.19	1.86	7.63	1.91	7.92	1.95
	25.0	6.00	1.71	6.56	1.87	6.86	1.91	7.01	1.93	7.45	1.98	7.75	2.01
	32.0	5.85	2.00	6.15	2.04	6.44	2.07	6.59	2.09	7.03	2.14	7.33	2.17
	35.0	5.67	2.08	5.97	2.11	6.26	2.15	6.41	2.16	6.85	2.21	7.15	2.25
	40.0	5.37	2.21	5.67	2.24	5.96	2.28	6.11	2.29	6.55	2.35	6.85	2.38
	43.0	5.19	2.29	5.49	2.33	5.78	2.36	5.93	2.38	6.38	2.43	6.67	2.47
	46.0	4.74	2.07	4.98	2.07	5.20	2.07	5.32	2.07	5.65	2.07	5.86	2.07
3.5+5.0	22.0	6.53	1.72	6.83	1.75	7.13	1.78	7.28	1.80	7.72	1.85	8.02	1.88
	25.0	6.35	1.78	6.65	1.81	6.94	1.85	7.09	1.86	7.54	1.91	7.84	1.95
	32.0	5.92	1.94	6.22	1.97	6.52	2.00	6.67	2.02	7.12	2.07	7.42	2.10
	35.0	5.74	2.01	6.04	2.04	6.34	2.08	6.49	2.09	6.94	2.14	7.24	2.18
	40.0	5.44	2.14	5.74	2.17	6.04	2.20	6.19	2.22	6.64	2.27	6.94	2.30
	43.0	5.26	2.22	5.56	2.25	5.86	2.29	6.01	2.30	6.45	2.35	6.75	2.39
	46.0	4.85	2.07	5.09	2.07	5.33	2.07	5.44	2.07	5.78	2.07	6.00	2.07
4.2+4.2	22.0	6.00	1.57	6.75	1.81	7.05	1.84	7.20	1.86	7.64	1.91	7.94	1.95
	25.0	6.00	1.71	6.57	1.87	6.87	1.91	7.02	1.93	7.46	1.98	7.76	2.01
	32.0	5.86	2.00	6.16	2.04	6.45	2.07	6.60	2.09	7.04	2.14	7.34	2.17
	35.0	5.68	2.08	5.98	2.11	6.27	2.15	6.42	2.16	6.86	2.21	7.16	2.25
	40.0	5.38	2.21	5.68	2.24	5.97	2.28	6.12	2.29	6.56	2.35	6.86	2.38
	43.0	5.20	2.29	5.50	2.33	5.79	2.36	5.94	2.38	6.39	2.43	6.68	2.47
	46.0	4.75	2.07	4.98	2.07	5.21	2.07	5.32	2.07	5.65	2.07	5.87	2.07

NOTES

- Capacities are based on the following conditions:
Corresponding refrigerant piping length: 5m
Level difference: 0m
- The bold line **□** is indicated the standard condition.
- The above is the value for connecting with the following indoor units.
2.0, 2.5, 3.5, 4.2 kW class; wall mounted G series

SYMBOLS

- TC: Total capacity (kW)
PI: Power input (kW)

3D059227A

5 Capacity tables

5 - 2 Cooling capacity tables

4MKS58E (★ cooling 50Hz 230V)

Combination (Capacity)	Outdoor air temp. °CWB	Indoor air temp.: °CWB											
		14°C		16°C		18°C		19°C		22°C		24°C	
		TC kW	PI kW	TC kW	PI kW	TC kW	PI kW	TC kW	PI kW	TC kW	PI kW	TC kW	PI kW
2.0+2.0+5.0	22.0	7.34	1.86	7.68	1.89	8.02	1.93	8.18	1.95	8.69	2.00	9.02	2.04
	25.0	7.14	1.92	7.48	1.96	7.81	2.00	7.98	2.01	8.48	2.07	8.82	2.10
	32.0	6.66	2.09	7.00	2.13	7.34	2.17	7.50	2.18	8.01	2.24	8.34	2.27
	35.0	6.46	2.17	6.80	2.21	7.13	2.24	7.30	2.26	7.80	2.32	8.14	2.35
	40.0	6.12	2.31	6.46	2.35	6.79	2.38	6.96	2.40	7.46	2.46	7.80	2.49
	43.0	5.92	2.40	6.25	2.43	6.59	2.47	6.76	2.49	7.26	2.54	7.60	2.58
	46.0	5.27	2.07	5.52	2.07	5.76	2.07	5.88	2.07	6.24	2.07	6.47	2.07
2.0+2.5+2.5	22.0	7.08	1.78	7.41	1.81	7.73	1.84	7.89	1.86	8.38	1.91	8.70	1.95
	25.0	6.88	1.84	7.21	1.87	7.53	1.91	7.70	1.93	8.18	1.98	8.51	2.01
	32.0	6.43	2.00	6.75	2.04	7.07	2.07	7.24	2.09	7.72	2.14	8.05	2.17
	35.0	6.23	2.08	6.55	2.11	6.88	2.15	7.04	2.16	7.53	2.21	7.85	2.25
	40.0	5.90	2.21	6.23	2.24	6.55	2.28	6.71	2.29	7.20	2.35	7.52	2.38
	43.0	5.70	2.29	6.03	2.33	6.35	2.36	6.52	2.38	7.00	2.43	7.33	2.47
	46.0	5.17	2.07	5.42	2.07	5.67	2.07	5.79	2.07	6.14	2.07	6.37	2.07
2.0+2.5+3.5	22.0	7.10	1.78	7.43	1.81	7.75	1.84	7.91	1.86	8.40	1.91	8.73	1.95
	25.0	6.90	1.84	7.23	1.87	7.55	1.91	7.72	1.93	8.21	1.98	8.53	2.01
	32.0	6.44	2.00	6.77	2.04	7.09	2.07	7.26	2.09	7.75	2.14	8.07	2.17
	35.0	6.25	2.08	6.57	2.11	6.90	2.15	7.06	2.16	7.55	2.21	7.87	2.25
	40.0	5.92	2.21	6.24	2.24	6.57	2.28	6.73	2.29	7.22	2.35	7.54	2.38
	43.0	5.72	2.29	6.05	2.33	6.37	2.36	6.53	2.38	7.02	2.43	7.35	2.47
	46.0	5.18	2.07	5.44	2.07	5.68	2.07	5.81	2.07	6.16	2.07	6.39	2.07
2.0+2.5+4.2	22.0	7.11	1.78	7.44	1.81	7.76	1.84	7.93	1.86	8.41	1.91	8.74	1.95
	25.0	6.91	1.84	7.24	1.87	7.57	1.91	7.73	1.93	8.22	1.98	8.54	2.01
	32.0	6.45	2.00	6.78	2.04	7.10	2.07	7.27	2.09	7.76	2.14	8.08	2.17
	35.0	6.26	2.08	6.58	2.11	6.91	2.15	7.07	2.16	7.56	2.21	7.88	2.25
	40.0	5.93	2.21	6.25	2.24	6.58	2.28	6.74	2.29	7.23	2.35	7.56	2.38
	43.0	5.73	2.29	6.05	2.33	6.38	2.36	6.54	2.38	7.03	2.43	7.36	2.47
	46.0	5.19	2.07	5.44	2.07	5.69	2.07	5.81	2.07	6.17	2.07	6.40	2.07
2.0+2.5+5.0	22.0	7.34	1.86	7.68	1.89	8.02	1.93	8.18	1.95	8.69	2.00	9.02	2.04
	25.0	7.14	1.92	7.48	1.96	7.81	2.00	7.98	2.01	8.48	2.07	8.82	2.10
	32.0	6.66	2.09	7.00	2.13	7.34	2.17	7.50	2.18	8.01	2.24	8.34	2.27
	35.0	6.46	2.17	6.80	2.21	7.13	2.24	7.30	2.26	7.80	2.32	8.14	2.35
	40.0	6.12	2.31	6.46	2.35	6.79	2.38	6.96	2.40	7.46	2.46	7.80	2.49
	43.0	5.92	2.40	6.25	2.43	6.59	2.47	6.76	2.49	7.26	2.54	7.60	2.58
	46.0	5.27	2.07	5.52	2.07	5.76	2.07	5.88	2.07	6.24	2.07	6.47	2.07
2.0+3.5+3.5	22.0	7.11	1.78	7.44	1.81	7.76	1.84	7.93	1.86	8.41	1.91	8.74	1.95
	25.0	6.91	1.84	7.24	1.87	7.57	1.91	7.73	1.93	8.22	1.98	8.54	2.01
	32.0	6.45	2.00	6.78	2.04	7.10	2.07	7.27	2.09	7.76	2.14	8.08	2.17
	35.0	6.26	2.08	6.58	2.11	6.91	2.15	7.07	2.16	7.56	2.21	7.88	2.25
	40.0	5.93	2.21	6.25	2.24	6.58	2.28	6.74	2.29	7.23	2.35	7.56	2.38
	43.0	5.73	2.29	6.05	2.33	6.38	2.36	6.54	2.38	7.03	2.43	7.36	2.47
	46.0	5.19	2.07	5.44	2.07	5.69	2.07	5.81	2.07	6.17	2.07	6.40	2.07

NOTES

- Capacities are based on the following conditions:
Corresponding refrigerant piping length: 5m
Level difference: 0m
- The bold line is indicated the standard condition.
- The above is the value for connecting with the following indoor units.
2.0, 2.5, 3.5, 4.2 kW class; wall mounted G series

SYMBOLS

- TC: Total capacity (kW)
PI: Power input (kW)

3D059228A

5 Capacity tables

5 - 2 Cooling capacity tables

4MKS58E (★ cooling 50Hz 230V)

Combination (Capacity)	Outdoor air temp. °CWB	Indoor air temp.: °CWB											
		14°C		16°C		18°C		19°C		22°C		24°C	
		TC kW	PI kW	TC kW	PI kW	TC kW	PI kW	TC kW	PI kW	TC kW	PI kW	TC kW	PI kW
2.0+2.0+2.0+2.0	22.0	7.34	1.78	7.68	1.81	8.02	1.84	8.18	1.86	8.69	1.91	9.02	1.95
	25.0	7.14	1.84	7.48	1.87	7.81	1.91	7.98	1.93	8.48	1.98	8.82	2.01
	32.0	6.66	2.00	7.00	2.04	7.34	2.07	7.50	2.09	8.01	2.14	8.34	2.17
	35.0	6.46	2.08	6.80	2.11	7.13	2.15	7.30	2.16	7.80	2.21	8.14	2.25
	40.0	6.12	2.21	6.46	2.24	6.79	2.28	6.96	2.29	7.46	2.35	7.80	2.38
	43.0	5.92	2.29	6.25	2.33	6.59	2.36	6.76	2.38	7.26	2.43	7.60	2.47
	46.0	5.35	2.07	5.81	2.07	5.86	2.07	5.99	2.07	6.35	2.07	6.59	2.07
2.0+2.0+2.0+2.5	22.0	7.34	1.78	7.68	1.81	8.02	1.84	8.18	1.86	8.69	1.91	9.02	1.95
	25.0	7.14	1.84	7.48	1.87	7.81	1.91	7.98	1.93	8.48	1.98	8.82	2.01
	32.0	6.66	2.00	7.00	2.04	7.34	2.07	7.50	2.09	8.01	2.14	8.34	2.17
	35.0	6.46	2.08	6.80	2.11	7.13	2.15	7.30	2.16	7.80	2.21	8.14	2.25
	40.0	6.12	2.21	6.46	2.24	6.79	2.28	6.96	2.29	7.46	2.35	7.80	2.38
	43.0	5.92	2.29	6.25	2.33	6.59	2.36	6.76	2.38	7.26	2.43	7.60	2.47
	46.0	5.35	2.07	5.81	2.07	5.86	2.07	5.99	2.07	6.35	2.07	6.59	2.07
2.0+2.0+2.0+3.5	22.0	7.34	1.78	7.68	1.81	8.02	1.84	8.18	1.86	8.69	1.91	9.02	1.95
	25.0	7.14	1.84	7.48	1.87	7.81	1.91	7.98	1.93	8.48	1.98	8.82	2.01
	32.0	6.66	2.00	7.00	2.04	7.34	2.07	7.50	2.09	8.01	2.14	8.34	2.17
	35.0	6.46	2.08	6.80	2.11	7.13	2.15	7.30	2.16	7.80	2.21	8.14	2.25
	40.0	6.12	2.21	6.46	2.24	6.79	2.28	6.96	2.29	7.46	2.35	7.80	2.38
	43.0	5.92	2.29	6.25	2.33	6.59	2.36	6.76	2.38	7.26	2.43	7.60	2.47
	46.0	5.35	2.07	5.81	2.07	5.86	2.07	5.99	2.07	6.35	2.07	6.59	2.07
2.0+2.0+2.5+2.5	22.0	7.34	1.78	7.68	1.81	8.02	1.84	8.18	1.86	8.69	1.91	9.02	1.95
	25.0	7.14	1.84	7.48	1.87	7.81	1.91	7.98	1.93	8.48	1.98	8.82	2.01
	32.0	6.66	2.00	7.00	2.04	7.34	2.07	7.50	2.09	8.01	2.14	8.34	2.17
	35.0	6.46	2.08	6.80	2.11	7.13	2.15	7.30	2.16	7.80	2.21	8.14	2.25
	40.0	6.12	2.21	6.46	2.24	6.79	2.28	6.96	2.29	7.46	2.35	7.80	2.38
	43.0	5.92	2.29	6.25	2.33	6.59	2.36	6.76	2.38	7.26	2.43	7.60	2.47
	46.0	5.35	2.07	5.81	2.07	5.86	2.07	5.99	2.07	6.35	2.07	6.59	2.07
2.0+2.0+2.5+3.5	22.0	7.34	1.78	7.68	1.81	8.02	1.84	8.18	1.86	8.69	1.91	9.02	1.95
	25.0	7.14	1.84	7.48	1.87	7.81	1.91	7.98	1.93	8.48	1.98	8.82	2.01
	32.0	6.66	2.00	7.00	2.04	7.34	2.07	7.50	2.09	8.01	2.14	8.34	2.17
	35.0	6.46	2.08	6.80	2.11	7.13	2.15	7.30	2.16	7.80	2.21	8.14	2.25
	40.0	6.12	2.21	6.46	2.24	6.79	2.28	6.96	2.29	7.46	2.35	7.80	2.38
	43.0	5.92	2.29	6.25	2.33	6.59	2.36	6.76	2.38	7.26	2.43	7.60	2.47
	46.0	5.35	2.07	5.81	2.07	5.86	2.07	5.99	2.07	6.35	2.07	6.59	2.07
2.0+2.5+2.5+2.5	22.0	7.34	1.78	7.68	1.81	8.02	1.84	8.18	1.86	8.69	1.91	9.02	1.95
	25.0	7.14	1.84	7.48	1.87	7.81	1.91	7.98	1.93	8.48	1.98	8.82	2.01
	32.0	6.66	2.00	7.00	2.04	7.34	2.07	7.50	2.09	8.01	2.14	8.34	2.17
	35.0	6.46	2.08	6.80	2.11	7.13	2.15	7.30	2.16	7.80	2.21	8.14	2.25
	40.0	6.12	2.21	6.46	2.24	6.79	2.28	6.96	2.29	7.46	2.35	7.80	2.38
	43.0	5.92	2.29	6.25	2.33	6.59	2.36	6.76	2.38	7.26	2.43	7.60	2.47
	46.0	5.35	2.07	5.81	2.07	5.86	2.07	5.99	2.07	6.35	2.07	6.59	2.07

NOTES

- Capacities are based on the following conditions:
Corresponding refrigerant piping length: 5m
Level difference: 0m
- The bold line **□** is indicated the standard condition.
- The above is the value for connecting with the following indoor units.
2.0, 2.5, 3.5, 4.2 kW class; wall mounted G series

SYMBOLS

- TC: Total capacity (kW)
PI: Power input (kW)

3D059229A

5 Capacity tables

5 - 2 Cooling capacity tables

4MKS58E (★ cooling 50Hz 230V)

Combination (Capacity)	Outdoor air temp. °CWB	Indoor air temp.: °CWB											
		14°C		16°C		18°C		19°C		22°C		24°C	
		TC kW	PI kW	TC kW	PI kW	TC kW	PI kW	TC kW	PI kW	TC kW	PI kW	TC kW	PI kW
2.0+2.5	22.0	5.26	1.27	6.46	1.75	6.84	1.83	6.98	1.84	7.41	1.90	7.70	1.93
	25.0	5.26	1.37	6.38	1.86	6.87	1.89	6.81	1.91	7.24	1.96	7.53	1.99
	32.0	5.26	1.67	5.97	2.02	6.26	2.05	6.40	2.07	6.83	2.12	7.12	2.15
	35.0	5.26	1.83	5.80	2.09	6.09	2.13	6.23	2.14	6.66	2.19	6.95	2.23
	40.0	5.22	2.19	5.51	2.22	5.80	2.26	5.94	2.27	6.37	2.33	6.66	2.36
	43.0	5.05	2.27	5.34	2.31	5.62	2.34	5.77	2.36	6.20	2.41	6.48	2.44
	46.0	4.63	2.07	4.86	2.07	5.09	2.07	5.20	2.07	5.52	2.07	5.73	2.07
2.0+3.5	22.0	5.63	1.46	6.56	1.79	6.85	1.83	7.00	1.84	7.43	1.90	7.71	1.93
	25.0	5.63	1.58	6.39	1.86	6.88	1.89	6.82	1.91	7.25	1.96	7.54	1.99
	32.0	5.63	1.94	5.98	2.02	6.27	2.05	6.41	2.07	6.85	2.12	7.13	2.15
	35.0	5.52	2.06	5.81	2.09	6.10	2.13	6.24	2.14	6.67	2.19	6.96	2.23
	40.0	5.23	2.19	5.52	2.22	5.81	2.26	5.95	2.27	6.38	2.33	6.67	2.36
	43.0	5.06	2.27	5.34	2.31	5.63	2.34	5.78	2.36	6.21	2.41	6.49	2.44
	46.0	4.64	2.07	4.87	2.07	5.09	2.07	5.20	2.07	5.53	2.07	5.74	2.07
2.0+4.2	22.0	5.63	1.46	6.57	1.79	6.86	1.83	7.01	1.84	7.44	1.90	7.73	1.93
	25.0	5.63	1.58	6.40	1.86	6.89	1.89	6.83	1.91	7.26	1.96	7.55	1.99
	32.0	5.63	1.94	5.99	2.02	6.28	2.05	6.42	2.07	6.86	2.12	7.14	2.15
	35.0	5.53	2.06	5.82	2.09	6.11	2.13	6.25	2.14	6.68	2.19	6.97	2.23
	40.0	5.24	2.19	5.53	2.22	5.82	2.26	5.96	2.27	6.39	2.33	6.68	2.36
	43.0	5.06	2.27	5.35	2.31	5.64	2.34	5.78	2.36	6.22	2.41	6.50	2.44
	46.0	4.65	2.07	4.88	2.07	5.10	2.07	5.21	2.07	5.54	2.07	5.75	2.07
2.0+5.0	22.0	6.31	1.61	6.81	1.73	7.10	1.77	7.25	1.78	7.70	1.83	8.00	1.87
	25.0	6.31	1.76	6.63	1.80	6.92	1.83	7.07	1.85	7.52	1.89	7.82	1.93
	32.0	5.91	1.92	6.20	1.95	6.50	1.98	6.65	2.00	7.10	2.05	7.40	2.08
	35.0	5.72	1.99	6.02	2.02	6.32	2.06	6.47	2.07	6.92	2.12	7.22	2.15
	40.0	5.42	2.12	5.72	2.15	6.02	2.19	6.17	2.20	6.62	2.25	6.91	2.28
	43.0	5.24	2.20	5.54	2.23	5.84	2.26	5.99	2.28	6.44	2.33	6.73	2.36
	46.0	4.85	2.07	5.09	2.07	5.33	2.07	5.45	2.07	5.79	2.07	6.01	2.07
2.5+2.5	22.0	5.26	1.32	6.46	1.75	6.84	1.83	6.98	1.84	7.41	1.90	7.70	1.93
	25.0	5.26	1.42	6.38	1.86	6.87	1.89	6.81	1.91	7.24	1.96	7.53	1.99
	32.0	5.26	1.72	5.97	2.02	6.26	2.05	6.40	2.07	6.83	2.12	7.12	2.15
	35.0	5.26	1.89	5.80	2.09	6.09	2.13	6.23	2.14	6.66	2.19	6.95	2.23
	40.0	5.22	2.19	5.51	2.22	5.80	2.26	5.94	2.27	6.37	2.33	6.66	2.36
	43.0	5.05	2.27	5.34	2.31	5.62	2.34	5.77	2.36	6.20	2.41	6.48	2.44
	46.0	4.63	2.07	4.86	2.07	5.09	2.07	5.20	2.07	5.52	2.07	5.73	2.07
2.5+3.5	22.0	5.63	1.43	6.68	1.81	6.97	1.84	7.12	1.86	7.56	1.91	7.85	1.95
	25.0	5.63	1.55	6.50	1.87	6.80	1.91	6.94	1.93	7.38	1.98	7.67	2.01
	32.0	5.63	1.90	6.09	2.04	6.38	2.07	6.53	2.09	6.97	2.14	7.26	2.17
	35.0	5.62	2.08	5.91	2.11	6.20	2.15	6.35	2.16	6.79	2.21	7.08	2.25
	40.0	5.32	2.21	5.62	2.24	5.91	2.28	6.05	2.29	6.49	2.35	6.79	2.38
	43.0	5.15	2.29	5.44	2.33	5.73	2.36	5.88	2.38	6.32	2.43	6.61	2.47
	46.0	4.70	2.07	4.93	2.07	5.16	2.07	5.27	2.07	5.60	2.07	5.81	2.07

NOTES

- Capacities are based on the following conditions:
Corresponding refrigerant piping length: 5m
Level difference: 0m
- The bold line is indicated the standard condition.
- The above is the value for connecting with the following indoor units.
2.0, 2.5, 3.5, 4.2 kW class; wall mounted G series

SYMBOLS

- TC: Total capacity (kW)
PI: Power input (kW)

3D059226B

5 Capacity tables

5 - 2 Cooling capacity tables

4MK58E (★ cooling 50Hz 230V)

Combination (Capacity)	Outdoor air temp. °CWB	Indoor air temp.: °CWB											
		14°C		16°C		18°C		19°C		22°C		24°C	
		TC kW	PI kW	TC kW	PI kW	TC kW	PI kW	TC kW	PI kW	TC kW	PI kW	TC kW	PI kW
4.2+5.0	22.0	6.54	1.72	6.84	1.75	7.14	1.78	7.29	1.80	7.74	1.85	8.04	1.88
	25.0	6.36	1.78	6.66	1.81	6.96	1.85	7.11	1.86	7.55	1.91	7.85	1.95
	32.0	5.93	1.94	6.23	1.97	6.53	2.00	6.68	2.02	7.13	2.07	7.43	2.10
	35.0	5.75	2.01	6.05	2.04	6.35	2.08	6.50	2.09	6.95	2.14	7.25	2.18
	40.0	5.45	2.14	5.75	2.17	6.05	2.20	6.20	2.22	6.65	2.27	6.95	2.30
	43.0	5.27	2.22	5.57	2.25	5.87	2.29	6.02	2.30	6.46	2.35	6.76	2.39
	46.0	4.86	2.07	5.10	2.07	5.33	2.07	5.45	2.07	5.79	2.07	6.01	2.07
5.0+5.0	22.0	6.68	1.73	6.98	1.77	7.29	1.80	7.44	1.82	7.90	1.87	8.21	1.90
	25.0	6.49	1.80	6.80	1.83	7.11	1.86	7.26	1.88	7.72	1.93	8.02	1.97
	32.0	6.06	1.95	6.37	1.99	6.67	2.02	6.83	2.04	7.28	2.09	7.59	2.12
	35.0	5.88	2.03	6.18	2.06	6.49	2.10	6.64	2.11	7.10	2.16	7.40	2.20
	40.0	5.57	2.16	5.87	2.19	6.18	2.22	6.33	2.24	6.79	2.29	7.10	2.33
	43.0	5.38	2.24	5.69	2.27	5.99	2.31	6.15	2.32	6.60	2.37	6.91	2.41
	46.0	4.94	2.07	5.18	2.07	5.42	2.07	5.54	2.07	5.88	2.07	6.10	2.07
2.0+2.0+2.0	22.0	7.08	1.78	7.41	1.81	7.73	1.84	7.89	1.86	8.38	1.91	8.70	1.95
	25.0	6.88	1.84	7.21	1.87	7.53	1.91	7.70	1.93	8.18	1.98	8.51	2.01
	32.0	6.43	2.00	6.75	2.04	7.07	2.07	7.24	2.09	7.72	2.14	8.05	2.17
	35.0	6.23	2.08	6.55	2.11	6.88	2.15	7.04	2.16	7.53	2.21	7.85	2.25
	40.0	5.90	2.21	6.23	2.24	6.55	2.28	6.71	2.29	7.20	2.35	7.52	2.38
	43.0	5.70	2.29	6.03	2.33	6.35	2.36	6.52	2.38	7.00	2.43	7.33	2.47
	46.0	5.17	2.07	5.42	2.07	5.67	2.07	5.79	2.07	6.14	2.07	6.37	2.07
2.0+2.0+2.5	22.0	7.08	1.78	7.41	1.81	7.73	1.84	7.89	1.86	8.38	1.91	8.70	1.95
	25.0	6.88	1.84	7.21	1.87	7.53	1.91	7.70	1.93	8.18	1.98	8.51	2.01
	32.0	6.43	2.00	6.75	2.04	7.07	2.07	7.24	2.09	7.72	2.14	8.05	2.17
	35.0	6.23	2.08	6.55	2.11	6.88	2.15	7.04	2.16	7.53	2.21	7.85	2.25
	40.0	5.90	2.21	6.23	2.24	6.55	2.28	6.71	2.29	7.20	2.35	7.52	2.38
	43.0	5.70	2.29	6.03	2.33	6.35	2.36	6.52	2.38	7.00	2.43	7.33	2.47
	46.0	5.17	2.07	5.42	2.07	5.67	2.07	5.79	2.07	6.14	2.07	6.37	2.07
2.0+2.0+3.5	22.0	7.10	1.78	7.43	1.81	7.75	1.84	7.91	1.86	8.40	1.91	8.73	1.95
	25.0	6.90	1.84	7.23	1.87	7.55	1.91	7.72	1.93	8.21	1.98	8.53	2.01
	32.0	6.44	2.00	6.77	2.04	7.09	2.07	7.26	2.09	7.75	2.14	8.07	2.17
	35.0	6.25	2.08	6.57	2.11	6.90	2.15	7.06	2.16	7.55	2.21	7.87	2.25
	40.0	5.92	2.21	6.24	2.24	6.57	2.28	6.73	2.29	7.22	2.35	7.54	2.38
	43.0	5.72	2.29	6.05	2.33	6.37	2.36	6.53	2.38	7.02	2.43	7.35	2.47
	46.0	5.18	2.07	5.44	2.07	5.68	2.07	5.81	2.07	6.16	2.07	6.39	2.07
2.0+2.0+4.2	22.0	7.11	1.78	7.44	1.81	7.76	1.84	7.93	1.86	8.41	1.91	8.74	1.95
	25.0	6.91	1.84	7.24	1.87	7.57	1.91	7.73	1.93	8.22	1.98	8.54	2.01
	32.0	6.45	2.00	6.78	2.04	7.10	2.07	7.27	2.09	7.76	2.14	8.08	2.17
	35.0	6.26	2.08	6.58	2.11	6.91	2.15	7.07	2.16	7.56	2.21	7.88	2.25
	40.0	5.93	2.21	6.25	2.24	6.58	2.28	6.74	2.29	7.23	2.35	7.56	2.38
	43.0	5.73	2.29	6.05	2.33	6.38	2.36	6.54	2.38	7.03	2.43	7.36	2.47
	46.0	5.18	2.07	5.44	2.07	5.69	2.07	5.81	2.07	6.17	2.07	6.40	2.07

NOTES

- Capacities are based on the following conditions:
Corresponding refrigerant piping length: 5m
Level difference: 0m
- The bold line **□** is indicated the standard condition.
- The above is the value for connecting with the following indoor units.
2.0, 2.5, 3.5, 4.2 kW class; wall mounted G series

SYMBOLS

- TC: Total capacity (kW)
PI: Power input (kW)

3D059227B

5 Capacity tables

5 - 2 Cooling capacity tables

4MKS58E (★ cooling 50Hz 230V)

Combination (Capacity)	Outdoor air temp. °CWB	Indoor air temp.: °CWB											
		14°C		16°C		18°C		19°C		22°C		24°C	
		TC kW	PI kW	TC kW	PI kW	TC kW	PI kW	TC kW	PI kW	TC kW	PI kW	TC kW	PI kW
2.0+3.5+4.2	22.0	7.12	1.78	7.45	1.81	7.77	1.84	7.94	1.86	8.43	1.91	8.75	1.95
	25.0	6.92	1.84	7.25	1.87	7.58	1.91	7.74	1.93	8.23	1.98	8.55	2.01
	32.0	6.46	2.00	6.79	2.04	7.11	2.07	7.28	2.09	7.77	2.14	8.09	2.17
	35.0	6.26	2.08	6.59	2.11	6.92	2.15	7.08	2.16	7.57	2.21	7.90	2.25
	40.0	5.93	2.21	6.26	2.24	6.59	2.28	6.75	2.29	7.24	2.35	7.57	2.38
	43.0	5.74	2.29	6.06	2.33	6.39	2.36	6.55	2.38	7.04	2.43	7.37	2.47
	46.0	5.20	2.07	5.45	2.07	5.70	2.07	5.82	2.07	6.18	2.07	6.41	2.07
2.5+2.5+2.5	22.0	7.08	1.78	7.41	1.81	7.73	1.84	7.89	1.86	8.38	1.91	8.70	1.95
	25.0	6.88	1.84	7.21	1.87	7.53	1.91	7.70	1.93	8.18	1.98	8.51	2.01
	32.0	6.43	2.00	6.75	2.04	7.07	2.07	7.24	2.09	7.72	2.14	8.05	2.17
	35.0	6.23	2.08	6.55	2.11	6.88	2.15	7.04	2.16	7.53	2.21	7.85	2.25
	40.0	5.90	2.21	6.23	2.24	6.55	2.28	6.71	2.29	7.20	2.35	7.52	2.38
	43.0	5.70	2.29	6.03	2.33	6.35	2.36	6.52	2.38	7.00	2.43	7.33	2.47
	46.0	5.17	2.07	5.42	2.07	5.67	2.07	5.79	2.07	6.14	2.07	6.37	2.07
2.5+2.5+3.5	22.0	7.10	1.78	7.43	1.81	7.75	1.84	7.91	1.86	8.40	1.91	8.73	1.95
	25.0	6.90	1.84	7.23	1.87	7.55	1.91	7.72	1.93	8.21	1.98	8.53	2.01
	32.0	6.44	2.00	6.77	2.04	7.09	2.07	7.26	2.09	7.75	2.14	8.07	2.17
	35.0	6.25	2.08	6.57	2.11	6.90	2.15	7.06	2.16	7.55	2.21	7.87	2.25
	40.0	5.92	2.21	6.24	2.24	6.57	2.28	6.73	2.29	7.22	2.35	7.54	2.38
	43.0	5.72	2.29	6.05	2.33	6.37	2.36	6.53	2.38	7.02	2.43	7.35	2.47
	46.0	5.18	2.07	5.44	2.07	5.68	2.07	5.81	2.07	6.16	2.07	6.39	2.07
2.5+2.5+4.2	22.0	7.11	1.78	7.44	1.81	7.76	1.84	7.93	1.86	8.41	1.91	8.74	1.95
	25.0	6.91	1.84	7.24	1.87	7.57	1.91	7.73	1.93	8.22	1.98	8.54	2.01
	32.0	6.45	2.00	6.78	2.04	7.10	2.07	7.27	2.09	7.76	2.14	8.08	2.17
	35.0	6.26	2.08	6.58	2.11	6.91	2.15	7.07	2.16	7.56	2.21	7.88	2.25
	40.0	5.93	2.21	6.25	2.24	6.58	2.28	6.74	2.29	7.23	2.35	7.56	2.38
	43.0	5.73	2.29	6.05	2.33	6.38	2.36	6.54	2.38	7.03	2.43	7.36	2.47
	46.0	5.19	2.07	5.44	2.07	5.69	2.07	5.81	2.07	6.17	2.07	6.40	2.07
2.5+2.5+5.0	22.0	7.34	1.86	7.68	1.89	8.02	1.93	8.18	1.95	8.69	2.00	9.02	2.04
	25.0	7.14	1.92	7.48	1.96	7.81	2.00	7.98	2.01	8.48	2.07	8.82	2.10
	32.0	6.66	2.09	7.00	2.13	7.34	2.17	7.50	2.18	8.01	2.24	8.34	2.27
	35.0	6.46	2.17	6.80	2.21	7.13	2.24	7.30	2.26	7.80	2.32	8.14	2.35
	40.0	6.12	2.31	6.46	2.35	6.79	2.38	6.96	2.40	7.46	2.46	7.80	2.49
	43.0	5.92	2.40	6.25	2.43	6.59	2.47	6.76	2.49	7.26	2.54	7.60	2.58
	46.0	5.27	2.07	5.52	2.07	5.76	2.07	5.88	2.07	6.24	2.07	6.47	2.07
2.5+3.5+3.5	22.0	7.11	1.78	7.44	1.81	7.76	1.84	7.93	1.86	8.41	1.91	8.74	1.95
	25.0	6.91	1.84	7.24	1.87	7.57	1.91	7.73	1.93	8.22	1.98	8.54	2.01
	32.0	6.45	2.00	6.78	2.04	7.10	2.07	7.27	2.09	7.76	2.14	8.08	2.17
	35.0	6.26	2.08	6.58	2.11	6.91	2.15	7.07	2.16	7.56	2.21	7.88	2.25
	40.0	5.93	2.21	6.25	2.24	6.58	2.28	6.74	2.29	7.23	2.35	7.56	2.38
	43.0	5.73	2.29	6.05	2.33	6.38	2.36	6.54	2.38	7.03	2.43	7.36	2.47
	46.0	5.19	2.07	5.44	2.07	5.69	2.07	5.81	2.07	6.17	2.07	6.40	2.07

NOTES

- Capacities are based on the following conditions:
Corresponding refrigerant piping length: 5m
Level difference: 0m
- The bold line is indicated the standard condition.
- The above is the value for connecting with the following indoor units.
2.0, 2.5, 3.5, 4.2 kW class; wall mounted G series

SYMBOLS

- TC: Total capacity (kW)
PI: Power input (kW)

3D059228B

5 Capacity tables

5 - 2 Cooling capacity tables

4MKS58E (★ cooling 50Hz 230V)

Combination (Capacity)	Outdoor air temp. °CWB	Indoor air temp.: °CWB											
		14°C		16°C		18°C		19°C		22°C		24°C	
		TC kW	PI kW	TC kW	PI kW	TC kW	PI kW	TC kW	PI kW	TC kW	PI kW	TC kW	PI kW
2.5+2.5+2.5+2.5	22.0	7.34	1.78	7.68	1.81	8.02	1.84	8.18	1.86	8.69	1.91	9.02	1.95
	25.0	7.14	1.84	7.48	1.87	7.81	1.91	7.98	1.93	8.48	1.98	8.82	2.01
	32.0	6.66	2.00	7.00	2.04	7.34	2.07	7.50	2.09	8.01	2.14	8.34	2.17
	35.0	6.46	2.08	6.80	2.11	7.13	2.15	7.30	2.16	7.80	2.21	8.14	2.25
	40.0	6.12	2.21	6.46	2.24	6.79	2.28	6.96	2.29	7.46	2.35	7.80	2.38
	43.0	5.92	2.29	6.25	2.33	6.59	2.36	6.76	2.38	7.26	2.43	7.60	2.47
	46.0	5.35	2.07	5.61	2.07	5.86	2.07	5.99	2.07	6.35	2.07	6.59	2.07

NOTES

- Capacities are based on the following conditions:
Corresponding refrigerant piping length: 5m
Level difference: 0m
- The bold line **□** is indicated the standard condition.
- The above is the value for connecting with the following indoor units.
2.0, 2.5, 3.5, 4.2 kW class; wall mounted G series

SYMBOLS

- TC: Total capacity (kW)
PI: Power input (kW)

3D059229B

5 Capacity tables

5 - 2 Cooling capacity tables

5MK590E

Cooling [50Hz 230V]

Combination (Capacity)	Outdoor air temp. °CDB	Indoor air temp.: °CWB											
		14°C		16°C		18°C		19°C		22°C		24°C	
		TC kW	PI kW	TC kW	PI kW	TC kW	PI kW	TC kW	PI kW	TC kW	PI kW	TC kW	PI kW
2.0	22.0	3.05	0.86	3.19	0.88	3.33	0.90	3.40	0.90	3.61	0.93	3.75	0.95
	25.0	2.96	0.89	3.10	0.91	3.24	0.93	3.31	0.94	3.52	0.96	3.66	0.98
	32.0	2.77	0.97	2.91	0.99	3.04	1.01	3.11	1.01	3.32	1.04	3.46	1.06
	35.0	2.68	1.01	2.82	1.03	2.96	1.04	3.03	1.05	3.24	1.08	3.38	1.09
	40.0	2.54	1.07	2.68	1.09	2.82	1.11	2.89	1.12	3.10	1.14	3.24	1.16
	43.0	2.46	1.11	2.59	1.13	2.73	1.15	2.80	1.16	3.01	1.18	3.15	1.20
	46.0	2.37	1.16	2.51	1.17	2.65	1.19	2.72	1.20	2.93	1.22	3.07	1.24
2.5	22.0	3.22	0.89	3.72	1.05	3.89	1.07	3.97	1.08	4.21	1.11	4.38	1.13
	25.0	3.22	0.96	3.63	1.08	3.79	1.10	3.87	1.11	4.11	1.14	4.28	1.16
	32.0	3.22	1.15	3.39	1.18	3.56	1.20	3.64	1.21	3.88	1.24	4.05	1.26
	35.0	3.13	1.20	3.30	1.22	3.46	1.24	3.54	1.25	3.78	1.28	3.95	1.30
	40.0	2.97	1.28	3.13	1.30	3.29	1.32	3.38	1.33	3.62	1.36	3.78	1.38
	43.0	2.87	1.33	3.03	1.35	3.19	1.37	3.28	1.38	3.52	1.41	3.68	1.43
	46.0	2.77	1.38	2.93	1.40	3.10	1.42	3.18	1.43	3.42	1.46	3.59	1.48
3.5	22.0	3.29	0.73	4.04	0.92	4.85	1.14	5.25	1.26	5.57	1.29	5.79	1.32
	25.0	3.29	0.78	4.04	0.99	4.85	1.23	5.12	1.30	5.44	1.34	5.65	1.36
	32.0	3.29	0.92	4.04	1.17	4.70	1.40	4.81	1.41	5.13	1.45	5.35	1.47
	35.0	3.29	0.99	4.04	1.27	4.57	1.45	4.68	1.46	5.00	1.50	5.22	1.52
	40.0	3.29	1.14	4.04	1.46	4.35	1.54	4.46	1.55	4.79	1.59	5.00	1.61
	43.0	3.29	1.24	4.01	1.57	4.22	1.60	4.33	1.61	4.65	1.64	4.87	1.67
	46.0	3.29	1.35	3.88	1.63	4.09	1.66	4.20	1.67	4.52	1.70	4.74	1.73
4.2	22.0	3.29	0.73	4.04	0.92	4.85	1.14	5.28	1.32	6.12	1.56	6.35	1.59
	25.0	3.29	0.78	4.04	0.99	4.85	1.23	5.28	1.42	5.97	1.61	6.21	1.64
	32.0	3.29	0.92	4.04	1.17	4.85	1.52	5.28	1.70	5.64	1.74	5.88	1.77
	35.0	3.29	0.99	4.04	1.27	4.85	1.65	5.14	1.76	5.50	1.80	5.73	1.83
	40.0	3.29	1.14	4.04	1.46	4.78	1.86	4.90	1.87	5.26	1.91	5.49	1.94
	43.0	3.29	1.24	4.04	1.63	4.64	1.92	4.76	1.94	5.11	1.98	5.35	2.01
	46.0	3.29	1.35	4.04	1.79	4.50	2.00	4.61	2.01	4.97	2.05	5.21	2.08
5.0	22.0	4.00	0.97	4.91	1.26	5.86	1.59	5.99	1.60	6.36	1.65	6.60	1.68
	25.0	4.00	1.04	4.91	1.35	5.71	1.64	5.84	1.66	6.21	1.70	6.45	1.73
	32.0	4.00	1.25	4.91	1.63	5.37	1.78	5.49	1.80	5.86	1.84	6.10	1.87
	35.0	4.00	1.35	4.91	1.78	5.22	1.85	5.34	1.86	5.71	1.91	5.96	1.94
	40.0	4.00	1.56	4.72	1.93	4.97	1.96	5.09	1.98	5.46	2.02	5.71	2.05
	43.0	4.00	1.71	4.57	2.00	4.82	2.03	4.94	2.05	5.31	2.09	5.56	2.12
	46.0	4.00	1.89	4.42	2.08	4.67	2.11	4.79	2.12	5.16	2.17	5.41	2.20
6.0	22.0	5.60	1.46	6.88	1.97	7.25	2.04	7.40	2.06	7.86	2.12	8.16	2.16
	25.0	5.60	1.58	6.76	2.07	7.06	2.11	7.21	2.13	7.67	2.19	7.97	2.23
	32.0	5.60	1.93	6.39	2.25	6.63	2.29	6.78	2.31	7.24	2.37	7.54	2.41
	35.0	5.60	2.12	6.14	2.34	6.45	2.37	6.60	2.39	7.06	2.45	7.36	2.49
	40.0	5.53	2.44	5.84	2.48	6.14	2.52	6.29	2.54	6.75	2.60	7.05	2.63
	43.0	5.35	2.54	5.65	2.57	5.96	2.61	6.11	2.63	6.56	2.69	6.87	2.73
	46.0	5.16	2.63	5.47	2.67	5.77	2.71	5.92	2.73	6.38	2.79	6.68	2.82

3D059272

NOTES

- Capacities are based on following conditions
Corresponding refrigerant piping length : 5.0m
Level difference : 0m
- The bold line [] is indicated the standard condition.
- The above is the value for connecting with the following indoor units.
2.0, 2.5, 3.5, 4.2, 5.0 kW class; wall mounted G series
6.0, 7.1 kW class; wall mounted F series

SYMBOLS

- TC : Total cooling capacity (kW)
PI : Power input (kW)

5 Capacity tables

5 - 2 Cooling capacity tables

5MK590E
Cooling [50Hz 230V]

Combination (Capacity)	Outdoor air temp. °CDB	Indoor air temp.: °CWB											
		14°C		16°C		18°C		19°C		22°C		24°C	
		TC kW	PI kW	TC kW	PI kW	TC kW	PI kW	TC kW	PI kW	TC kW	PI kW	TC kW	PI kW
2.0+6.0	22.0	8.01	2.44	8.37	2.49	8.74	2.54	8.92	2.56	9.47	2.63	9.84	2.68
	25.0	7.78	2.53	8.15	2.58	8.52	2.62	8.70	2.65	9.25	2.72	9.62	2.77
	32.0	7.27	2.75	7.63	2.80	8.00	2.85	8.18	2.87	8.73	2.94	9.10	2.99
	35.0	7.04	2.85	7.41	2.90	7.78	2.95	7.96	2.97	8.51	3.04	8.88	3.09
	40.0	6.67	3.04	7.04	3.08	7.41	3.13	7.59	3.16	8.14	3.23	8.51	3.27
	43.0	6.45	3.15	6.82	3.20	7.18	3.25	7.37	3.27	7.92	3.34	8.28	3.39
	46.0	6.21	3.03	6.55	3.03	6.88	3.03	7.04	3.03	7.52	3.03	7.83	3.03
2.0+7.1	22.0	8.27	2.55	8.65	2.60	9.03	2.65	9.22	2.67	9.78	2.75	10.16	2.80
	25.0	8.04	2.64	8.42	2.69	8.80	2.74	8.99	2.76	9.55	2.84	9.93	2.89
	32.0	7.50	2.87	7.88	2.92	8.26	2.97	8.45	3.00	9.02	3.07	9.40	3.12
	35.0	7.27	2.98	7.65	3.03	8.03	3.08	8.22	3.10	8.79	3.18	9.17	3.23
	40.0	6.89	3.17	7.27	3.22	7.65	3.27	7.84	3.29	8.41	3.37	8.78	3.42
	43.0	6.66	3.29	7.04	3.34	7.42	3.39	7.61	3.41	8.18	3.49	8.55	3.54
	46.0	6.41	3.03	6.75	3.03	7.08	3.03	7.24	3.03	7.72	3.03	8.04	3.03
2.5+2.5	22.0	6.06	1.62	6.33	1.65	6.61	1.68	6.75	1.70	7.16	1.75	7.44	1.78
	25.0	5.89	1.68	6.16	1.71	6.44	1.74	6.58	1.76	7.00	1.80	7.27	1.83
	32.0	5.49	1.82	5.77	1.86	6.05	1.89	6.19	1.90	6.60	1.95	6.88	1.98
	35.0	5.33	1.89	5.60	1.92	5.88	1.96	6.02	1.97	6.44	2.02	6.71	2.05
	40.0	5.05	2.01	5.32	2.05	5.60	2.08	5.74	2.09	6.16	2.14	6.43	2.17
	43.0	4.88	2.09	5.16	2.12	5.43	2.15	5.57	2.17	5.99	2.22	6.26	2.25
	46.0	4.71	2.17	4.99	2.20	5.26	2.23	5.40	2.25	5.82	2.30	6.10	2.33
2.5+3.5	22.0	6.51	1.85	6.94	1.95	7.25	1.99	7.40	2.01	7.86	2.06	8.16	2.10
	25.0	6.45	1.98	6.76	2.02	7.06	2.06	7.21	2.08	7.67	2.13	7.97	2.17
	32.0	6.02	2.16	6.33	2.20	6.63	2.23	6.78	2.25	7.24	2.31	7.54	2.34
	35.0	5.84	2.24	6.14	2.28	6.45	2.31	6.60	2.33	7.06	2.39	7.36	2.43
	40.0	5.53	2.38	5.94	2.42	6.14	2.46	6.29	2.48	6.75	2.53	7.05	2.57
	43.0	5.35	2.47	5.65	2.51	5.96	2.55	6.11	2.57	6.56	2.62	6.87	2.66
	46.0	5.16	2.57	5.47	2.60	5.77	2.64	5.92	2.66	6.38	2.72	6.68	2.75
2.5+4.2	22.0	6.51	1.85	7.48	2.28	7.81	2.32	7.97	2.34	8.46	2.41	8.79	2.45
	25.0	6.51	2.04	7.28	2.36	7.61	2.40	7.77	2.42	8.26	2.49	8.59	2.53
	32.0	6.49	2.52	6.82	2.56	7.14	2.61	7.31	2.63	7.80	2.69	8.13	2.74
	35.0	6.29	2.61	6.62	2.66	6.95	2.70	7.11	2.72	7.60	2.79	7.93	2.83
	40.0	5.96	2.78	6.29	2.82	6.62	2.87	6.78	2.89	7.27	2.96	7.60	3.00
	43.0	5.76	2.89	6.09	2.93	6.42	2.97	6.58	3.00	7.07	3.06	7.40	3.10
	46.0	5.56	3.00	5.89	3.03	6.21	3.03	6.36	3.03	6.82	3.03	7.12	3.03
2.5+5.0	22.0	7.22	2.14	7.99	2.45	8.35	2.49	8.52	2.52	9.05	2.59	9.40	2.63
	25.0	7.22	2.34	7.78	2.53	8.13	2.58	8.31	2.60	8.83	2.67	9.18	2.72
	32.0	6.94	2.70	7.29	2.75	7.64	2.80	7.81	2.82	8.34	2.89	8.69	2.94
	35.0	6.72	2.81	7.07	2.85	7.42	2.90	7.60	2.92	8.13	2.99	8.48	3.04
	40.0	6.37	2.99	6.72	3.03	7.07	3.08	7.25	3.10	7.77	3.17	8.12	3.22
	43.0	6.16	3.10	6.51	3.15	6.86	3.19	7.03	3.22	7.56	3.29	7.91	3.33
	46.0	5.94	3.03	6.27	3.03	6.59	3.03	6.75	3.03	7.22	3.03	7.52	3.03

3D059273

NOTES

- Capacities are based on following conditions
Corresponding refrigerant piping length : 5.0m
Level difference : 0m
- The bold line **□** is indicated the standard condition.
- The above is the value for connecting with the following indoor units.
2.0, 2.5, 3.5, 4.2, 5.0 kW class; wall mounted G series
6.0, 7.1 kW class; wall mounted F series

SYMBOLS

- TC : Total cooling capacity (kW)
PI : Power input (kW)

5 Capacity tables

5 - 2 Cooling capacity tables

5MK590E

Cooling [50Hz 230V]

Combination (Capacity)	Outdoor air temp. °CDB	Indoor air temp.: °CWB											
		14°C		16°C		18°C		19°C		22°C		24°C	
		TC kW	PI kW	TC kW	PI kW	TC kW	PI kW	TC kW	PI kW	TC kW	PI kW	TC kW	PI kW
3.5+7.1	22.0	8.46	2.70	8.85	2.76	9.23	2.81	9.43	2.84	10.01	2.91	10.40	2.97
	25.0	8.22	2.80	8.61	2.85	9.00	2.91	9.19	2.93	9.77	3.01	10.16	3.06
	32.0	7.68	3.05	8.06	3.10	8.45	3.15	8.64	3.18	9.23	3.26	9.61	3.31
	35.0	7.44	3.16	7.83	3.21	8.22	3.27	8.41	3.29	8.99	3.37	9.38	3.43
	40.0	7.05	3.36	7.44	3.42	7.82	3.47	8.02	3.50	8.60	3.57	8.99	3.63
	43.0	6.81	3.49	7.20	3.54	7.59	3.60	7.78	3.60	8.35	3.60	8.72	3.60
	46.0	6.58	3.03	6.92	3.03	7.25	3.03	7.41	3.03	7.89	3.03	8.20	3.03
4.2+4.2	22.0	6.59	1.86	7.84	2.43	8.18	2.48	8.35	2.50	8.87	2.57	9.21	2.62
	25.0	6.59	2.03	7.63	2.52	7.97	2.56	8.14	2.58	8.68	2.65	9.00	2.70
	32.0	6.59	2.51	7.14	2.73	7.49	2.78	7.66	2.80	8.17	2.87	8.52	2.92
	35.0	6.59	2.78	6.94	2.83	7.28	2.88	7.45	2.90	7.96	2.97	8.31	3.02
	40.0	6.25	2.97	6.59	3.01	6.93	3.06	7.10	3.08	7.62	3.15	7.96	3.20
	43.0	6.04	3.08	6.38	3.12	6.72	3.17	6.89	3.19	7.41	3.26	7.75	3.31
	46.0	5.83	3.03	6.15	3.03	6.47	3.03	6.63	3.03	7.09	3.03	7.39	3.03
4.2+5.0	22.0	7.29	2.20	8.18	2.59	8.54	2.64	8.72	2.66	9.26	2.74	9.62	2.79
	25.0	7.29	2.41	7.97	2.68	8.33	2.73	8.50	2.75	9.04	2.83	9.40	2.88
	32.0	7.10	2.86	7.46	2.91	7.82	2.96	8.00	2.99	8.54	3.06	8.89	3.11
	35.0	6.88	2.97	7.24	3.02	7.60	3.07	7.78	3.09	8.32	3.17	8.68	3.22
	40.0	6.52	3.16	6.88	3.21	7.24	3.26	7.42	3.28	7.96	3.36	8.31	3.41
	43.0	6.30	3.28	6.66	3.33	7.02	3.38	7.20	3.40	7.74	3.48	8.10	3.53
	46.0	6.09	3.03	6.42	3.03	6.74	3.03	6.90	3.03	7.37	3.03	7.67	3.03
4.2+6.0	22.0	8.27	2.55	8.65	2.60	9.03	2.65	9.22	2.67	9.78	2.75	10.16	2.80
	25.0	8.04	2.64	8.42	2.69	8.80	2.74	8.99	2.76	9.55	2.84	9.93	2.89
	32.0	7.50	2.87	7.88	2.92	8.26	2.97	8.45	3.00	9.02	3.07	9.40	3.12
	35.0	7.27	2.98	7.65	3.03	8.03	3.08	8.22	3.10	8.79	3.18	9.17	3.23
	40.0	6.89	3.17	7.27	3.22	7.65	3.27	7.84	3.29	8.41	3.37	8.78	3.42
	43.0	6.66	3.29	7.04	3.34	7.42	3.39	7.61	3.41	8.18	3.49	8.55	3.54
	46.0	6.41	3.03	6.75	3.03	7.08	3.03	7.24	3.03	7.72	3.03	8.04	3.03
4.2+7.1	22.0	8.64	2.81	9.04	2.87	9.43	2.92	9.63	2.95	10.22	3.03	10.62	3.08
	25.0	8.40	2.91	8.80	2.97	9.19	3.02	9.39	3.05	9.98	3.13	10.38	3.19
	32.0	7.84	3.17	8.24	3.22	8.63	3.28	8.83	3.30	9.42	3.39	9.82	3.44
	35.0	7.60	3.29	8.00	3.34	8.39	3.40	8.59	3.42	9.18	3.51	9.58	3.56
	40.0	7.20	3.50	7.60	3.55	7.99	3.61	8.19	3.63	8.78	3.72	9.18	3.75
	43.0	6.96	3.60	7.36	3.60	7.75	3.60	7.95	3.60	8.53	3.60	8.90	3.60
	46.0	6.72	3.03	7.08	3.03	7.41	3.03	7.57	3.03	8.05	3.03	8.36	3.03
5.0+5.0	22.0	7.99	2.56	8.57	2.76	8.95	2.81	9.14	2.84	9.70	2.91	10.08	2.97
	25.0	7.97	2.80	8.35	2.85	8.72	2.91	8.91	2.93	9.47	3.01	9.85	3.06
	32.0	7.44	3.05	7.81	3.10	8.19	3.15	8.38	3.18	8.94	3.26	9.32	3.31
	35.0	7.21	3.16	7.59	3.21	7.96	3.27	8.15	3.29	8.71	3.37	9.09	3.43
	40.0	6.83	3.36	7.21	3.42	7.58	3.47	7.77	3.50	8.33	3.57	8.71	3.63
	43.0	6.60	3.49	6.98	3.54	7.36	3.60	7.54	3.60	8.10	3.60	8.46	3.60
	46.0	6.38	3.03	6.74	3.03	7.06	3.03	7.22	3.03	7.69	3.03	7.99	3.03

3D059274

NOTES

- Capacities are based on following conditions
Corresponding refrigerant piping length : 5.0m
Level difference : 0m
- The bold line [] is indicated the standard condition.
- The above is the value for connecting with the following indoor units.
2.0, 2.5, 3.5, 4.2, 5.0 kW class; wall mounted G series
6.0, 7.1 kW class; wall mounted F series

SYMBOLS

- TC : Total cooling capacity (kW)
PI : Power input (kW)

5 Capacity tables

5 - 2 Cooling capacity tables

5MK90E													
Cooling [50Hz 230V]													
Combination (Capacity)	Outdoor air temp. °CDB	Indoor air temp.: °CWB											
		14°C		16°C		18°C		19°C		22°C		24°C	
		TC kW	PI kW	TC kW	PI kW	TC kW	PI kW	TC kW	PI kW	TC kW	PI kW	TC kW	PI kW
2.0+2.0+2.5	22.0	7.01	1.87	7.33	1.90	7.65	1.94	7.81	1.96	8.30	2.01	8.62	2.05
	25.0	6.82	1.93	7.14	1.97	7.46	2.01	7.62	2.02	8.10	2.08	8.42	2.11
	32.0	6.36	2.10	6.68	2.14	7.00	2.18	7.16	2.19	7.65	2.25	7.97	2.28
	35.0	6.17	2.18	6.49	2.22	6.81	2.25	6.97	2.27	7.45	2.33	7.77	2.36
	40.0	5.84	2.32	6.16	2.36	6.48	2.39	6.65	2.41	7.13	2.47	7.45	2.50
	43.0	5.65	2.41	5.97	2.45	6.29	2.48	6.45	2.50	6.93	2.55	7.25	2.59
	46.0	5.45	2.50	5.77	2.54	6.10	2.57	6.26	2.59	6.74	2.65	7.06	2.68
2.0+2.0+3.5	22.0	7.68	2.24	8.04	2.29	8.39	2.33	8.56	2.35	9.09	2.42	9.44	2.46
	25.0	7.47	2.32	7.82	2.37	8.18	2.41	8.35	2.43	8.88	2.50	9.23	2.54
	32.0	6.97	2.53	7.33	2.57	7.68	2.62	7.85	2.64	8.38	2.70	8.73	2.75
	35.0	6.76	2.62	7.11	2.67	7.46	2.71	7.64	2.73	8.17	2.80	8.52	2.84
	40.0	6.40	2.79	6.76	2.84	7.11	2.88	7.28	2.90	7.81	2.97	8.16	3.01
	43.0	6.19	2.90	6.54	2.94	6.89	2.98	7.07	3.01	7.60	3.07	7.95	3.12
	46.0	5.98	3.01	6.32	3.03	6.66	3.03	6.82	3.03	7.31	3.03	7.62	3.03
2.0+2.0+4.2	22.0	8.11	2.45	8.48	2.50	8.85	2.54	9.04	2.57	9.59	2.64	9.96	2.69
	25.0	7.88	2.54	8.25	2.58	8.62	2.63	8.81	2.66	9.37	2.73	9.74	2.78
	32.0	7.36	2.76	7.73	2.81	8.10	2.86	8.29	2.88	8.84	2.95	9.21	3.00
	35.0	7.13	2.86	7.50	2.91	7.87	2.96	8.06	2.98	8.62	3.05	8.99	3.10
	40.0	6.76	3.05	7.13	3.09	7.50	3.14	7.68	3.17	8.24	3.24	8.61	3.29
	43.0	6.53	3.16	6.90	3.21	7.27	3.26	7.46	3.28	8.02	3.35	8.39	3.40
	46.0	6.28	3.03	6.62	3.03	6.96	3.03	7.12	3.03	7.60	3.03	7.92	3.03
2.0+2.0+5.0	22.0	8.45	2.57	8.84	2.62	9.22	2.67	9.42	2.70	10.00	2.77	10.38	2.82
	25.0	8.21	2.66	8.60	2.71	8.99	2.76	9.18	2.79	9.76	2.87	10.15	2.92
	32.0	7.67	2.90	8.05	2.95	8.44	3.00	8.63	3.02	9.22	3.10	9.60	3.15
	35.0	7.43	3.01	7.82	3.06	8.21	3.11	8.40	3.13	8.98	3.21	9.37	3.26
	40.0	7.04	3.20	7.43	3.25	7.82	3.30	8.01	3.33	8.59	3.40	8.98	3.45
	43.0	6.81	3.32	7.19	3.37	7.58	3.42	7.77	3.45	8.35	3.52	8.74	3.57
	46.0	6.53	3.03	6.88	3.03	7.22	3.03	7.38	3.03	7.87	3.03	8.18	3.03
2.0+2.0+6.0	22.0	8.89	2.62	9.30	2.67	9.71	2.72	9.91	2.75	10.52	2.83	10.93	2.88
	25.0	8.65	2.72	9.05	2.77	9.46	2.82	9.66	2.84	10.27	2.92	10.68	2.97
	32.0	8.07	2.95	8.48	3.01	8.88	3.06	9.09	3.08	9.70	3.16	10.11	3.21
	35.0	7.82	3.07	8.23	3.12	8.64	3.17	8.84	3.19	9.45	3.27	9.86	3.32
	40.0	7.41	3.26	7.82	3.31	8.22	3.36	8.43	3.39	9.04	3.47	9.45	3.52
	43.0	7.16	3.39	7.57	3.44	7.98	3.49	8.18	3.51	8.79	3.59	9.18	3.60
	46.0	6.84	3.03	7.20	3.03	7.54	3.03	7.71	3.03	8.21	3.03	8.54	3.03
2.0+2.0+7.1	22.0	9.08	2.74	9.50	2.80	9.92	2.85	10.12	2.88	10.75	2.96	11.16	3.01
	25.0	8.83	2.84	9.25	2.90	9.66	2.95	9.87	2.98	10.49	3.06	10.91	3.11
	32.0	8.24	3.09	8.66	3.15	9.07	3.20	9.28	3.23	9.91	3.31	10.32	3.36
	35.0	7.99	3.21	8.41	3.26	8.82	3.32	9.03	3.34	9.65	3.42	10.07	3.48
	40.0	7.57	3.42	7.99	3.47	8.40	3.52	8.61	3.55	9.23	3.63	9.65	3.68
	43.0	7.32	3.55	7.73	3.60	8.14	3.60	8.35	3.60	8.94	3.60	9.33	3.60
	46.0	7.00	3.03	7.35	3.03	7.69	3.03	7.86	3.03	8.36	3.03	8.69	3.03

3D059275

NOTES

- Capacities are based on following conditions
Corresponding refrigerant piping length : 5.0m
Level difference : 0m
- The bold line **□** is indicated the standard condition.
- The above is the value for connecting with the following indoor units.
2.0, 2.5, 3.5, 4.2, 5.0 kW class; wall mounted G series
6.0, 7.1 kW class; wall mounted F series

SYMBOLS

- TC : Total cooling capacity (kW)
PI : Power input (kW)

5 Capacity tables

5 - 2 Cooling capacity tables

5MK590E

Cooling [50Hz 230V]

Combination (Capacity)	Outdoor air temp. °CDB	Indoor air temp.: °CWB											
		14°C		16°C		18°C		19°C		22°C		24°C	
		TC kW	PI kW	TC kW	PI kW	TC kW	PI kW	TC kW	PI kW	TC kW	PI kW	TC kW	PI kW
2.0+3.5+3.5	22.0	8.28	2.56	8.66	2.61	9.04	2.66	9.28	2.68	9.80	2.75	10.17	2.80
	25.0	8.05	2.65	8.43	2.70	8.81	2.75	9.00	2.77	9.57	2.85	9.94	2.90
	32.0	7.51	2.88	7.89	2.93	8.27	2.98	8.46	3.01	9.03	3.08	9.41	3.13
	35.0	7.28	2.99	7.66	3.04	8.04	3.09	8.23	3.11	8.80	3.19	9.18	3.24
	40.0	6.90	3.18	7.28	3.23	7.66	3.28	7.85	3.30	8.42	3.38	8.79	3.43
	43.0	6.67	3.30	7.05	3.35	7.43	3.40	7.62	3.43	8.19	3.50	8.56	3.55
	46.0	6.41	3.03	6.75	3.03	7.09	3.03	7.25	3.03	7.73	3.03	8.04	3.03
2.0+3.5+4.2	22.0	8.29	2.56	8.67	2.61	9.05	2.66	9.24	2.68	9.81	2.75	10.19	2.80
	25.0	8.06	2.65	8.44	2.70	8.82	2.75	9.01	2.77	9.58	2.85	9.96	2.90
	32.0	7.52	2.88	7.90	2.93	8.28	2.98	8.47	3.01	9.04	3.08	9.42	3.13
	35.0	7.29	2.99	7.67	3.04	8.05	3.09	8.24	3.11	8.81	3.19	9.19	3.24
	40.0	6.91	3.18	7.29	3.23	7.67	3.28	7.86	3.30	8.43	3.38	8.81	3.43
	43.0	6.68	3.30	7.06	3.35	7.44	3.40	7.63	3.43	8.20	3.50	8.58	3.55
	46.0	6.42	3.03	6.76	3.03	7.09	3.03	7.26	3.03	7.74	3.03	8.05	3.03
2.0+3.5+5.0	22.0	8.45	2.57	8.84	2.62	9.22	2.67	9.42	2.70	10.00	2.77	10.38	2.82
	25.0	8.21	2.66	8.60	2.71	8.99	2.76	9.18	2.79	9.76	2.87	10.15	2.92
	32.0	7.67	2.90	8.05	2.95	8.44	3.00	8.63	3.02	9.22	3.10	9.60	3.15
	35.0	7.43	3.01	7.82	3.06	8.21	3.11	8.40	3.13	8.98	3.21	9.37	3.26
	40.0	7.04	3.20	7.43	3.25	7.82	3.30	8.01	3.33	8.59	3.40	8.98	3.45
	43.0	6.81	3.32	7.19	3.37	7.58	3.42	7.77	3.45	8.35	3.52	8.74	3.57
	46.0	6.53	3.03	6.88	3.03	7.22	3.03	7.38	3.03	7.87	3.03	8.18	3.03
2.0+3.5+6.0	22.0	9.07	2.74	9.49	2.79	9.90	2.84	10.11	2.87	10.74	2.95	11.15	3.00
	25.0	8.82	2.83	9.24	2.89	9.65	2.94	9.86	2.97	10.48	3.05	10.90	3.10
	32.0	8.23	3.08	8.65	3.14	9.06	3.19	9.27	3.22	9.90	3.30	10.31	3.35
	35.0	7.98	3.20	8.40	3.25	8.81	3.31	9.02	3.33	9.64	3.41	10.06	3.47
	40.0	7.56	3.40	7.98	3.46	8.39	3.51	8.60	3.54	9.22	3.62	9.64	3.67
	43.0	7.31	3.53	7.72	3.59	8.14	3.60	8.34	3.60	8.93	3.60	9.32	3.60
	46.0	6.99	3.03	7.34	3.03	7.69	3.03	7.86	3.03	8.35	3.03	8.68	3.03
2.0+3.5+7.1	22.0	9.09	2.79	9.51	2.84	9.93	2.89	10.13	2.92	10.76	3.00	11.18	3.06
	25.0	8.84	2.89	9.26	2.94	9.67	2.99	9.88	3.02	10.51	3.10	10.92	3.16
	32.0	8.25	3.14	8.67	3.19	9.08	3.25	9.29	3.28	9.92	3.36	10.33	3.41
	35.0	8.00	3.26	8.42	3.31	8.83	3.37	9.04	3.39	9.66	3.47	10.08	3.53
	40.0	7.58	3.47	7.99	3.52	8.41	3.57	8.62	3.60	9.24	3.68	9.66	3.74
	43.0	7.33	3.60	7.74	3.60	8.15	3.60	8.35	3.60	8.95	3.60	9.33	3.60
	46.0	7.02	3.03	7.37	3.03	7.71	3.03	7.88	3.03	8.38	3.03	8.70	3.03
2.0+4.2+4.2	22.0	8.30	2.56	8.68	2.61	9.06	2.66	9.25	2.68	9.82	2.75	10.20	2.80
	25.0	8.07	2.65	8.45	2.70	8.83	2.75	9.02	2.77	9.59	2.85	9.97	2.90
	32.0	7.53	2.88	7.91	2.93	8.29	2.98	8.48	3.01	9.05	3.08	9.43	3.13
	35.0	7.30	2.99	7.68	3.04	8.06	3.09	8.25	3.11	8.82	3.19	9.20	3.24
	40.0	6.92	3.18	7.30	3.23	7.68	3.28	7.87	3.30	8.44	3.38	8.82	3.43
	43.0	6.69	3.30	7.07	3.35	7.45	3.40	7.64	3.43	8.21	3.50	8.59	3.55
	46.0	6.43	3.03	6.77	3.03	7.10	3.03	7.27	3.03	7.75	3.03	8.06	3.03

3D059276

NOTES

- Capacities are based on following conditions
Corresponding refrigerant piping length : 5.0m
Level difference : 0m
- The bold line [] is indicated the standard condition.
- The above is the value for connecting with the following indoor units.
2.0, 2.5, 3.5, 4.2, 5.0 kW class; wall mounted G series
6.0, 7.1 kW class; wall mounted F series

SYMBOLS

- TC : Total cooling capacity (kW)
PI : Power input (kW)

5 Capacity tables

5 - 2 Cooling capacity tables

5MKS90E

Cooling [50Hz 230V]

Combination (Capacity)	Outdoor air temp. °CDB	Indoor air temp.: °CWB											
		14°C		16°C		18°C		19°C		22°C		24°C	
		TC kW	PI kW	TC kW	PI kW	TC kW	PI kW	TC kW	PI kW	TC kW	PI kW	TC kW	PI kW
2.0+6.0+6.0	22.0	9.70	2.82	10.14	2.87	10.58	2.93	10.81	2.96	11.47	3.04	11.92	3.09
	25.0	9.43	2.92	9.87	2.97	10.32	3.03	10.54	3.06	11.20	3.14	11.65	3.19
	32.0	8.80	3.18	9.24	3.23	9.69	3.29	9.91	3.31	10.58	3.40	11.02	3.45
	35.0	8.53	3.30	8.97	3.35	9.42	3.41	9.64	3.43	10.31	3.52	10.75	3.57
	40.0	8.08	3.51	8.52	3.56	8.97	3.62	9.19	3.64	9.86	3.73	10.29	3.75
	43.0	7.81	3.60	8.25	3.60	8.67	3.60	8.88	3.60	9.50	3.60	9.90	3.60
	46.0	7.41	3.03	7.77	3.03	8.13	3.03	8.31	3.03	8.82	3.03	9.16	3.03
2.0+6.0+7.1	22.0	10.16	3.26	10.62	3.33	11.09	3.39	11.32	3.42	12.02	3.52	12.49	3.58
	25.0	9.88	3.38	10.34	3.44	10.81	3.51	11.04	3.54	11.74	3.63	12.20	3.70
	32.0	9.22	3.68	9.68	3.74	10.15	3.80	10.38	3.84	11.08	3.93	11.55	4.00
	35.0	8.94	3.82	9.40	3.88	9.87	3.94	10.10	3.97	10.79	4.02	11.23	4.02
	40.0	8.47	3.75	8.93	3.75	9.40	3.75	9.61	3.75	10.25	3.75	10.66	3.75
	43.0	8.18	3.60	8.65	3.60	9.11	3.60	9.35	3.60	9.96	3.60	10.36	3.60
	46.0	7.90	3.03	8.27	3.03	8.62	3.03	8.79	3.03	9.30	3.03	9.63	3.03
2.5+2.5+2.5	22.0	7.68	2.24	8.04	2.29	8.39	2.33	8.56	2.35	9.09	2.42	9.44	2.46
	25.0	7.47	2.32	7.82	2.37	8.18	2.41	8.35	2.43	8.88	2.50	9.23	2.54
	32.0	6.97	2.53	7.33	2.57	7.68	2.62	7.85	2.64	8.38	2.70	8.73	2.75
	35.0	6.76	2.62	7.11	2.67	7.46	2.71	7.64	2.73	8.17	2.80	8.52	2.84
	40.0	6.40	2.79	6.76	2.84	7.11	2.88	7.28	2.90	7.81	2.97	8.16	3.01
	43.0	6.19	2.90	6.54	2.94	6.89	2.98	7.07	3.01	7.60	3.07	7.95	3.12
	46.0	5.98	3.01	6.32	3.03	6.66	3.03	6.82	3.03	7.31	3.03	7.62	3.03
2.5+2.5+3.5	22.0	8.10	2.45	8.47	2.50	8.84	2.54	9.02	2.57	9.58	2.64	9.95	2.69
	25.0	7.87	2.54	8.24	2.58	8.61	2.63	8.80	2.66	9.36	2.73	9.73	2.78
	32.0	7.35	2.76	7.72	2.81	8.09	2.86	8.27	2.88	8.83	2.95	9.20	3.00
	35.0	7.12	2.86	7.49	2.91	7.86	2.96	8.05	2.98	8.61	3.05	8.98	3.10
	40.0	6.75	3.05	7.12	3.09	7.49	3.14	7.68	3.17	8.23	3.24	8.60	3.29
	43.0	6.52	3.16	6.89	3.21	7.26	3.26	7.45	3.28	8.01	3.35	8.38	3.40
	46.0	6.27	3.03	6.61	3.03	6.95	3.03	7.11	3.03	7.59	3.03	7.91	3.03
2.5+2.5+4.2	22.0	8.28	2.56	8.66	2.61	9.04	2.66	9.23	2.68	9.80	2.75	10.17	2.80
	25.0	8.05	2.65	8.43	2.70	8.81	2.75	9.00	2.77	9.57	2.85	9.94	2.90
	32.0	7.51	2.88	7.89	2.93	8.27	2.98	8.46	3.01	9.03	3.08	9.41	3.13
	35.0	7.28	2.99	7.66	3.04	8.04	3.09	8.23	3.11	8.80	3.19	9.18	3.24
	40.0	6.90	3.18	7.28	3.23	7.66	3.28	7.85	3.30	8.42	3.38	8.79	3.43
	43.0	6.67	3.30	7.05	3.35	7.43	3.40	7.62	3.43	8.19	3.50	8.56	3.55
	46.0	6.41	3.03	6.75	3.03	7.09	3.03	7.25	3.03	7.73	3.03	8.04	3.03
2.5+2.5+5.0	22.0	8.45	2.57	8.84	2.62	9.22	2.67	9.42	2.70	10.00	2.77	10.38	2.82
	25.0	8.21	2.66	8.60	2.71	8.99	2.76	9.18	2.79	9.76	2.87	10.15	2.92
	32.0	7.67	2.90	8.05	2.95	8.44	3.00	8.63	3.02	9.22	3.10	9.60	3.15
	35.0	7.43	3.01	7.82	3.06	8.21	3.11	8.40	3.13	8.98	3.21	9.37	3.26
	40.0	7.04	3.20	7.43	3.25	7.82	3.30	8.01	3.33	8.59	3.40	8.98	3.45
	43.0	6.81	3.32	7.19	3.37	7.59	3.42	7.77	3.45	8.35	3.52	8.74	3.57
	46.0	6.53	3.03	6.88	3.03	7.22	3.03	7.38	3.03	7.87	3.03	8.18	3.03

3D059277

NOTES

- Capacities are based on following conditions
Corresponding refrigerant piping length : 5.0m
Level difference : 0m
- The bold line **□** is indicated the standard condition.
- The above is the value for connecting with the following indoor units.
2.0, 2.5, 3.5, 4.2, 5.0 kW class; wall mounted G series
6.0, 7.1 kW class; wall mounted F series

SYMBOLS

- TC : Total cooling capacity (kW)
PI : Power input (kW)

5 Capacity tables

5 - 2 Cooling capacity tables

5MK590E

Cooling [50Hz 230V]

Combination (Capacity)	Outdoor air temp. °CDB	Indoor air temp.: °CWB											
		14°C		16°C		18°C		19°C		22°C		24°C	
		TC kW	PI kW	TC kW	PI kW	TC kW	PI kW	TC kW	PI kW	TC kW	PI kW	TC kW	PI kW
2.5+3.5+7.1	22.0	9.09	2.79	9.51	2.84	9.93	2.89	10.13	2.92	10.76	3.00	11.18	3.06
	25.0	8.84	2.89	9.26	2.94	9.67	2.99	9.88	3.02	10.51	3.10	10.92	3.16
	32.0	8.25	3.14	8.67	3.19	9.08	3.25	9.29	3.28	9.92	3.36	10.33	3.41
	35.0	8.00	3.26	8.42	3.31	8.83	3.37	9.04	3.39	9.66	3.47	10.08	3.53
	40.0	7.58	3.47	7.99	3.52	8.41	3.57	8.62	3.60	9.24	3.68	9.66	3.74
	43.0	7.33	3.60	7.74	3.60	8.15	3.60	8.35	3.60	8.95	3.60	9.33	3.60
	46.0	7.02	3.03	7.37	3.03	7.71	3.03	7.88	3.03	8.38	3.03	8.70	3.03
2.5+4.2+4.2	22.0	8.30	2.56	8.68	2.61	9.06	2.66	9.25	2.68	9.82	2.75	10.20	2.80
	25.0	8.07	2.65	8.45	2.70	8.83	2.75	9.02	2.77	9.59	2.85	9.97	2.90
	32.0	7.53	2.88	7.91	2.93	8.29	2.98	8.48	3.01	9.05	3.08	9.43	3.13
	35.0	7.30	2.99	7.68	3.04	8.06	3.09	8.25	3.11	8.82	3.19	9.20	3.24
	40.0	6.92	3.18	7.30	3.23	7.68	3.28	7.87	3.30	8.44	3.38	8.82	3.43
	43.0	6.69	3.30	7.07	3.35	7.45	3.40	7.64	3.43	8.21	3.50	8.59	3.55
	46.0	6.43	3.03	6.77	3.03	7.10	3.03	7.27	3.03	7.75	3.03	8.06	3.03
2.5+4.2+5.0	22.0	8.73	2.76	9.13	2.82	9.53	2.87	9.73	2.90	10.33	2.98	10.73	3.03
	25.0	8.49	2.86	8.89	2.91	9.29	2.97	9.49	2.99	10.09	3.08	10.49	3.13
	32.0	7.92	3.11	8.32	3.17	8.72	3.22	8.92	3.25	9.52	3.33	9.92	3.38
	35.0	7.68	3.23	8.08	3.28	8.48	3.34	8.68	3.36	9.28	3.44	9.68	3.50
	40.0	7.28	3.44	7.68	3.49	8.08	3.54	8.28	3.57	8.88	3.65	9.28	3.70
	43.0	7.03	3.57	7.43	3.60	7.83	3.60	8.03	3.60	8.61	3.60	8.98	3.60
	46.0	6.78	3.03	7.12	3.03	7.45	3.03	7.62	3.03	8.10	3.03	8.42	3.03
2.5+4.2+6.0	22.0	9.08	2.74	9.50	2.79	9.92	2.84	10.12	2.87	10.75	2.95	11.16	3.00
	25.0	8.83	2.83	9.25	2.89	9.66	2.94	9.87	2.97	10.49	3.05	10.91	3.10
	32.0	8.24	3.08	8.66	3.14	9.07	3.19	9.28	3.22	9.91	3.30	10.32	3.35
	35.0	7.99	3.20	8.41	3.25	8.82	3.31	9.03	3.33	9.65	3.41	10.07	3.47
	40.0	7.57	3.40	7.99	3.46	8.40	3.51	8.61	3.54	9.23	3.62	9.65	3.67
	43.0	7.32	3.53	7.73	3.59	8.15	3.60	8.35	3.60	8.94	3.60	9.33	3.60
	46.0	7.00	3.03	7.35	3.03	7.69	3.03	7.86	3.03	8.36	3.03	8.69	3.03
2.5+4.2+7.1	22.0	9.10	2.79	9.52	2.84	9.94	2.89	10.15	2.92	10.77	3.00	11.19	3.06
	25.0	8.85	2.89	9.27	2.94	9.68	2.99	9.89	3.02	10.52	3.10	10.94	3.16
	32.0	8.26	3.14	8.68	3.19	9.09	3.25	9.30	3.28	9.93	3.36	10.35	3.41
	35.0	8.01	3.26	8.42	3.31	8.84	3.37	9.05	3.39	9.68	3.47	10.09	3.53
	40.0	7.59	3.47	8.00	3.52	8.42	3.57	8.63	3.60	9.25	3.68	9.67	3.74
	43.0	7.33	3.60	7.75	3.60	8.16	3.60	8.36	3.60	8.96	3.60	9.34	3.60
	46.0	7.02	3.03	7.37	3.03	7.72	3.03	7.89	3.03	8.38	3.03	8.71	3.03
2.5+5.0+5.0	22.0	9.10	2.95	9.52	3.01	9.94	3.07	10.15	3.09	10.77	3.18	11.19	3.24
	25.0	8.85	3.06	9.27	3.11	9.68	3.17	9.89	3.20	10.52	3.29	10.94	3.34
	32.0	8.26	3.33	8.68	3.38	9.09	3.44	9.30	3.47	9.93	3.56	10.35	3.61
	35.0	8.01	3.45	8.42	3.51	8.84	3.57	9.05	3.59	9.68	3.68	10.09	3.74
	40.0	7.59	3.67	8.00	3.73	8.42	3.75	8.63	3.75	9.24	3.75	9.63	3.75
	43.0	7.33	3.60	7.75	3.60	8.17	3.60	8.38	3.60	8.97	3.60	9.35	3.60
	46.0	7.08	3.03	7.45	3.03	7.78	3.03	7.95	3.03	8.43	3.03	8.75	3.03

3D059278

NOTES

- Capacities are based on following conditions
 Corresponding refrigerant piping length : 5.0m
 Level difference : 0m
- The bold line [] is indicated the standard condition.
- The above is the value for connecting with the following indoor units.
 2.0, 2.5, 3.5, 4.2, 5.0 kW class; wall mounted G series
 6.0, 7.1 kW class; wall mounted F series

SYMBOLS

- TC : Total cooling capacity (kW)
 PI : Power input (kW)

5 Capacity tables

5 - 2 Cooling capacity tables

5MK590E
Cooling [50Hz 230V]

Combination (Capacity)	Outdoor air temp. °CDB	Indoor air temp.: °CWB											
		14°C		16°C		18°C		19°C		22°C		24°C	
		TC kW	PI kW	TC kW	PI kW	TC kW	PI kW	TC kW	PI kW	TC kW	PI kW	TC kW	PI kW
3.5+3.5+5.0	22.0	8.93	2.93	9.34	2.99	9.75	3.05	9.96	3.08	10.57	3.16	10.98	3.22
	25.0	8.68	3.04	9.09	3.10	9.50	3.15	9.71	3.18	10.32	3.27	10.73	3.32
	32.0	8.11	3.31	8.51	3.36	8.92	3.42	9.13	3.45	9.74	3.54	10.15	3.59
	35.0	7.86	3.43	8.27	3.49	8.68	3.55	8.88	3.57	9.49	3.66	9.90	3.72
	40.0	7.44	3.65	7.85	3.71	8.26	3.75	8.47	3.75	9.07	3.75	9.46	3.75
	43.0	7.20	3.60	7.60	3.60	8.01	3.60	8.22	3.60	8.81	3.60	9.19	3.60
	46.0	6.95	3.03	7.33	3.03	7.66	3.03	7.83	3.03	8.31	3.03	8.62	3.03
3.5+3.5+6.0	22.0	9.08	2.74	9.50	2.79	9.92	2.84	10.12	2.87	10.75	2.95	11.16	3.00
	25.0	8.83	2.83	9.25	2.89	9.66	2.94	9.87	2.97	10.49	3.05	10.91	3.10
	32.0	8.24	3.08	8.66	3.14	9.07	3.19	9.28	3.22	9.91	3.30	10.32	3.35
	35.0	7.99	3.20	8.41	3.25	8.82	3.31	9.03	3.33	9.65	3.41	10.07	3.47
	40.0	7.57	3.40	7.99	3.46	8.40	3.51	8.61	3.54	9.23	3.62	9.65	3.67
	43.0	7.32	3.53	7.73	3.53	8.15	3.60	8.35	3.60	8.94	3.60	9.33	3.60
	46.0	7.00	3.03	7.35	3.03	7.69	3.03	7.86	3.03	8.36	3.03	8.69	3.03
3.5+3.5+7.1	22.0	9.10	2.74	9.52	2.80	9.94	2.85	10.15	2.88	10.77	2.96	11.19	3.01
	25.0	8.85	2.84	9.27	2.90	9.68	2.95	9.89	2.98	10.52	3.06	10.94	3.11
	32.0	8.26	3.09	8.68	3.15	9.09	3.20	9.30	3.23	9.93	3.31	10.35	3.36
	35.0	8.01	3.21	8.42	3.26	8.84	3.32	9.05	3.34	9.68	3.42	10.09	3.48
	40.0	7.59	3.42	8.00	3.47	8.42	3.52	8.63	3.55	9.25	3.63	9.67	3.68
	43.0	7.33	3.55	7.75	3.60	8.16	3.60	8.37	3.60	8.96	3.60	9.35	3.60
	46.0	7.01	3.03	7.36	3.03	7.71	3.03	7.88	3.03	8.38	3.03	8.70	3.03
3.5+4.2+4.2	22.0	8.58	2.77	8.97	2.82	9.37	2.88	9.56	2.90	10.15	2.99	10.55	3.04
	25.0	8.34	2.87	8.73	2.92	9.13	2.98	9.32	3.00	9.91	3.08	10.31	3.14
	32.0	7.79	3.12	8.18	3.18	8.57	3.23	8.77	3.26	9.36	3.34	9.75	3.39
	35.0	7.55	3.24	7.94	3.29	8.33	3.35	8.53	3.37	9.12	3.45	9.51	3.51
	40.0	7.15	3.45	7.54	3.50	7.94	3.55	8.13	3.58	8.72	3.66	9.12	3.72
	43.0	6.91	3.58	7.31	3.60	7.70	3.60	7.89	3.60	8.47	3.60	8.84	3.60
	46.0	6.67	3.03	7.02	3.03	7.35	3.03	7.51	3.03	7.99	3.03	8.30	3.03
3.5+4.2+5.0	22.0	8.94	2.93	9.35	2.99	9.76	3.05	9.97	3.08	10.58	3.16	10.99	3.22
	25.0	8.69	3.04	9.10	3.10	9.51	3.15	9.72	3.18	10.33	3.27	10.74	3.32
	32.0	8.11	3.31	8.52	3.36	8.93	3.42	9.14	3.45	9.75	3.54	10.16	3.59
	35.0	7.87	3.43	8.28	3.49	8.69	3.55	8.89	3.57	9.50	3.66	9.91	3.72
	40.0	7.45	3.65	7.86	3.71	8.27	3.75	8.48	3.75	9.08	3.75	9.47	3.75
	43.0	7.20	3.60	7.61	3.60	8.02	3.60	8.23	3.60	8.82	3.60	9.20	3.60
	46.0	6.96	3.03	7.34	3.03	7.67	3.03	7.83	3.03	8.31	3.03	8.63	3.03
3.5+4.2+6.0	22.0	9.09	2.74	9.51	2.80	9.93	2.85	10.13	2.88	10.76	2.96	11.18	3.01
	25.0	8.84	2.84	9.26	2.90	9.67	2.95	9.88	2.98	10.51	3.06	10.92	3.11
	32.0	8.25	3.09	8.67	3.15	9.08	3.20	9.29	3.23	9.92	3.31	10.33	3.36
	35.0	8.00	3.21	8.42	3.26	8.83	3.32	9.04	3.34	9.66	3.42	10.08	3.48
	40.0	7.58	3.42	7.99	3.47	8.41	3.52	8.62	3.55	9.24	3.63	9.66	3.68
	43.0	7.33	3.55	7.74	3.60	8.15	3.60	8.36	3.60	8.95	3.60	9.34	3.60
	46.0	7.00	3.03	7.36	3.03	7.70	3.03	7.87	3.03	8.37	3.03	8.69	3.03

3D059279

NOTES

- Capacities are based on following conditions
Corresponding refrigerant piping length : 5.0m
Level difference : 0m
- The bold line **□** is indicated the standard condition.
- The above is the value for connecting with the following indoor units.
2.0, 2.5, 3.5, 4.2, 5.0 kW class; wall mounted G series
6.0, 7.1 kW class; wall mounted F series

SYMBOLS

- TC : Total cooling capacity (kW)
PI : Power input (kW)

5 Capacity tables

5 - 2 Cooling capacity tables

5MK590E

Cooling [50Hz 230V]

Combination (Capacity)	Outdoor air temp. °CDB	Indoor air temp.: °CWB											
		14°C		16°C		18°C		19°C		22°C		24°C	
		TC kW	PI kW	TC kW	PI kW	TC kW	PI kW	TC kW	PI kW	TC kW	PI kW	TC kW	PI kW
4.2+4.2+5.0	22.0	8.95	2.93	9.86	2.99	9.77	3.05	9.98	3.08	10.59	3.16	11.00	3.22
	25.0	8.70	3.04	9.11	3.10	9.52	3.15	9.73	3.18	10.34	3.27	10.75	3.32
	32.0	8.12	3.31	8.53	3.36	8.94	3.42	9.15	3.45	9.76	3.54	10.17	3.53
	35.0	7.87	3.43	8.28	3.49	8.69	3.55	8.90	3.57	9.52	3.66	9.93	3.72
	40.0	7.46	3.65	7.87	3.71	8.28	3.75	8.49	3.75	9.09	3.75	9.48	3.75
	43.0	7.21	3.60	7.62	3.60	8.03	3.60	8.24	3.60	8.83	3.60	9.20	3.60
	46.0	6.96	3.03	7.34	3.03	7.68	3.03	7.84	3.03	8.32	3.03	8.63	3.03
4.2+4.2+6.0	22.0	9.10	2.74	9.52	2.80	9.94	2.85	10.15	2.88	10.77	2.96	11.19	3.01
	25.0	8.85	2.84	9.27	2.90	9.68	2.95	9.89	2.98	10.52	3.06	10.94	3.11
	32.0	8.26	3.09	8.68	3.15	9.09	3.20	9.30	3.23	9.93	3.31	10.35	3.36
	35.0	8.01	3.21	8.42	3.26	8.84	3.32	9.05	3.34	9.68	3.42	10.09	3.48
	40.0	7.59	3.42	8.00	3.47	8.42	3.52	8.63	3.55	9.25	3.63	9.67	3.68
	43.0	7.33	3.55	7.75	3.60	8.16	3.60	8.37	3.60	8.96	3.60	9.35	3.60
	46.0	7.01	3.03	7.36	3.03	7.71	3.03	7.88	3.03	8.38	3.03	8.70	3.03
4.2+4.2+7.1	22.0	9.64	3.29	10.08	3.35	10.52	3.42	10.74	3.45	11.40	3.54	11.84	3.61
	25.0	9.37	3.41	9.81	3.47	10.25	3.53	10.47	3.57	11.13	3.66	11.58	3.73
	32.0	8.74	3.71	9.19	3.77	9.63	3.83	9.85	3.87	10.51	3.96	10.95	4.03
	35.0	8.48	3.84	8.92	3.91	9.36	3.97	9.58	4.00	10.23	4.02	10.66	4.02
	40.0	8.03	3.75	8.47	3.75	8.91	3.75	9.13	3.75	9.79	3.75	10.19	3.75
	43.0	7.76	3.60	8.20	3.60	8.65	3.60	8.87	3.60	9.53	3.60	9.94	3.60
	46.0	7.50	3.03	7.94	3.03	8.33	3.03	8.50	3.03	8.98	3.03	9.30	3.03
4.2+5.0+5.0	22.0	9.12	2.95	9.54	3.01	9.96	3.07	10.17	3.09	10.79	3.18	11.21	3.24
	25.0	8.87	3.06	9.29	3.11	9.71	3.17	9.91	3.20	10.54	3.29	10.96	3.34
	32.0	8.28	3.33	8.70	3.38	9.11	3.44	9.32	3.47	9.95	3.56	10.37	3.61
	35.0	8.03	3.45	8.44	3.51	8.86	3.57	9.07	3.59	9.70	3.68	10.11	3.74
	40.0	7.60	3.67	8.02	3.73	8.44	3.75	8.65	3.75	9.26	3.75	9.65	3.75
	43.0	7.35	3.60	7.77	3.60	8.19	3.60	8.39	3.60	8.99	3.60	9.36	3.60
	46.0	7.10	3.03	7.46	3.03	7.79	3.03	7.96	3.03	8.45	3.03	8.76	3.03
4.2+5.0+6.0	22.0	9.75	3.25	10.19	3.31	10.64	3.37	10.86	3.40	11.53	3.50	11.98	3.56
	25.0	9.48	3.36	9.92	3.43	10.37	3.49	10.59	3.52	11.26	3.62	11.71	3.68
	32.0	8.84	3.66	9.29	3.72	9.74	3.79	9.96	3.82	10.63	3.91	11.08	3.97
	35.0	8.57	3.80	9.02	3.86	9.47	3.92	9.69	3.95	10.36	4.02	10.79	4.02
	40.0	8.12	3.75	8.57	3.75	9.02	3.75	9.24	3.75	9.88	3.75	10.28	3.75
	43.0	7.85	3.60	8.30	3.60	8.74	3.60	8.97	3.60	9.63	3.60	10.01	3.60
	46.0	7.58	3.03	8.03	3.03	8.36	3.03	8.53	3.03	9.02	3.03	9.35	3.03
5.0+5.0+5.0	22.0	9.55	3.32	9.98	3.38	10.42	3.45	10.64	3.48	11.29	3.58	11.73	3.64
	25.0	9.28	3.44	9.72	3.50	10.16	3.57	10.37	3.60	11.03	3.70	11.47	3.76
	32.0	8.66	3.74	9.10	3.81	9.54	3.87	9.76	3.90	10.41	4.00	10.85	4.07
	35.0	8.40	3.88	8.83	3.95	9.27	4.01	9.49	4.02	10.14	4.02	10.56	4.02
	40.0	7.96	3.75	8.39	3.75	8.83	3.75	9.05	3.75	9.70	3.75	10.12	3.75
	43.0	7.69	3.60	8.13	3.60	8.56	3.60	8.78	3.60	9.44	3.60	9.88	3.60
	46.0	7.42	3.03	7.86	3.03	8.30	3.03	8.47	3.03	8.95	3.03	9.27	3.03

3D059280

NOTES

- Capacities are based on following conditions
Corresponding refrigerant piping length : 5.0m
Level difference : 0m
- The bold line [] is indicated the standard condition.
- The above is the value for connecting with the following indoor units.
2.0, 2.5, 3.5, 4.2, 5.0 kW class; wall mounted G series
6.0, 7.1 kW class; wall mounted F series

SYMBOLS

- TC : Total cooling capacity (kW)
PI : Power input (kW)

5 Capacity tables

5 - 2 Cooling capacity tables

5MK590E													
Cooling [50Hz 230V]													
Combination (Capacity)	Outdoor air temp. °CDB	Indoor air temp.: °CWB											
		14°C		16°C		18°C		19°C		22°C		24°C	
		TC kW	PI kW	TC kW	PI kW	TC kW	PI kW	TC kW	PI kW	TC kW	PI kW	TC kW	PI kW
2.0+2.0+2.0+7.1	22.0	9.74	2.83	10.18	2.88	10.63	2.94	10.85	2.96	11.52	3.05	11.97	3.10
	25.0	9.47	2.93	9.91	2.98	10.36	3.04	10.58	3.07	11.25	3.15	11.70	3.20
	32.0	8.84	3.19	9.28	3.24	9.73	3.30	9.95	3.32	10.62	3.41	11.07	3.46
	35.0	8.57	3.31	9.01	3.36	9.46	3.42	9.68	3.44	10.35	3.53	10.79	3.58
	40.0	8.11	3.52	8.56	3.57	8.01	3.63	8.23	3.65	9.80	3.74	10.33	3.75
	43.0	7.84	3.60	8.28	3.60	8.71	3.60	8.92	3.60	9.54	3.60	9.94	3.60
	46.0	7.44	3.03	7.80	3.03	8.16	3.03	8.33	3.03	8.85	3.03	9.19	3.03
2.0+2.0+2.5+2.5	22.0	8.58	2.29	8.97	2.34	9.37	2.38	9.56	2.40	10.15	2.47	10.55	2.52
	25.0	8.34	2.38	8.73	2.42	9.13	2.46	9.32	2.49	9.91	2.55	10.31	2.60
	32.0	7.79	2.58	8.18	2.63	8.57	2.67	8.77	2.70	9.36	2.76	9.75	2.81
	35.0	7.55	2.68	7.94	2.73	8.33	2.77	8.53	2.79	9.12	2.86	9.51	2.90
	40.0	7.15	2.85	7.54	2.90	7.94	2.94	8.13	2.96	8.72	3.03	9.12	3.08
	43.0	6.91	2.96	7.31	3.01	7.70	3.05	7.89	3.07	8.48	3.14	8.88	3.18
	46.0	6.66	3.03	7.03	3.03	7.39	3.03	7.57	3.03	8.09	3.03	8.43	3.03
2.0+2.0+2.5+3.5	22.0	8.91	2.63	9.32	2.68	9.73	2.73	9.93	2.76	10.54	2.83	10.95	2.89
	25.0	8.66	2.72	9.07	2.78	9.48	2.83	9.69	2.85	10.30	2.93	10.71	2.98
	32.0	8.09	2.96	8.50	3.02	8.90	3.07	9.11	3.09	9.72	3.17	10.13	3.22
	35.0	7.84	3.08	8.25	3.13	8.66	3.18	8.86	3.20	9.47	3.28	9.88	3.33
	40.0	7.43	3.27	7.84	3.32	8.24	3.37	8.45	3.40	9.06	3.48	9.47	3.53
	43.0	7.18	3.40	7.59	3.45	8.00	3.50	8.20	3.52	8.81	3.60	9.20	3.60
	46.0	6.86	3.03	7.21	3.03	7.56	3.03	7.73	3.03	8.23	3.03	8.56	3.03
2.0+2.0+2.5+4.2	22.0	9.00	2.69	9.42	2.74	9.83	2.79	10.03	2.82	10.65	2.90	11.06	2.95
	25.0	8.75	2.78	9.16	2.84	9.58	2.89	9.78	2.91	10.40	2.99	10.81	3.05
	32.0	8.17	3.03	8.58	3.08	8.99	3.13	9.20	3.16	9.82	3.24	10.23	3.29
	35.0	7.92	3.14	8.33	3.19	8.74	3.25	8.95	3.27	9.57	3.35	9.98	3.40
	40.0	7.50	3.34	7.91	3.40	8.33	3.45	8.53	3.47	9.15	3.55	9.56	3.61
	43.0	7.25	3.47	7.66	3.52	8.08	3.58	8.28	3.60	8.88	3.60	9.27	3.60
	46.0	6.93	3.03	7.28	3.03	7.63	3.03	7.80	3.03	8.30	3.03	8.62	3.03
2.0+2.0+2.5+5.0	22.0	9.26	2.76	9.69	2.82	10.11	2.87	10.32	2.90	10.96	2.98	11.39	3.03
	25.0	9.01	2.86	9.43	2.91	9.86	2.97	10.07	2.99	10.70	3.08	11.13	3.13
	32.0	8.41	3.11	8.83	3.17	9.26	3.22	9.47	3.25	10.10	3.33	10.53	3.38
	35.0	8.15	3.23	8.57	3.28	9.00	3.34	9.21	3.36	9.85	3.44	10.27	3.50
	40.0	7.72	3.44	8.14	3.49	8.57	3.54	8.78	3.57	9.42	3.65	9.84	3.70
	43.0	7.46	3.57	7.89	3.60	8.30	3.60	8.51	3.60	9.11	3.60	9.50	3.60
	46.0	7.12	3.03	7.47	3.03	7.82	3.03	7.99	3.03	8.50	3.03	8.83	3.03
2.0+2.0+2.5+6.0	22.0	9.71	2.82	10.15	2.87	10.60	2.93	10.82	2.96	11.49	3.04	11.93	3.09
	25.0	9.44	2.92	9.88	2.97	10.33	3.03	10.55	3.06	11.22	3.14	11.66	3.19
	32.0	8.81	3.18	9.25	3.23	9.70	3.29	9.92	3.31	10.59	3.40	11.03	3.45
	35.0	8.54	3.30	8.98	3.35	9.43	3.41	9.65	3.43	10.32	3.52	10.76	3.57
	40.0	8.09	3.51	8.53	3.56	8.98	3.62	9.20	3.64	9.87	3.73	10.30	3.75
	43.0	7.82	3.60	8.26	3.60	8.68	3.60	8.89	3.60	9.51	3.60	9.91	3.60
	46.0	7.41	3.03	7.78	3.03	8.14	3.03	8.31	3.03	8.83	3.03	9.17	3.03

3D059281

NOTES

- Capacities are based on following conditions
 Corresponding refrigerant piping length : 5.0m
 Level difference : 0m
- The bold line **□** is indicated the standard condition.
- The above is the value for connecting with the following indoor units.
 2.0, 2.5, 3.5, 4.2, 5.0 kW class; wall mounted G series
 6.0, 7.1 kW class; wall mounted F series

SYMBOLS

- TC : Total cooling capacity (kW)
 PI : Power input (kW)

5 Capacity tables

5 - 2 Cooling capacity tables

5MK590E

Cooling [50Hz 230V]

Combination (Capacity)	Outdoor air temp. °CDB	Indoor air temp.: °CWB											
		14°C		16°C		18°C		19°C		22°C		24°C	
		TC kW	PI kW	TC kW	PI kW	TC kW	PI kW	TC kW	PI kW	TC kW	PI kW	TC kW	PI kW
2.0+2.0+4.2+4.2	22.0	9.11	2.74	9.53	2.80	9.95	2.85	10.16	2.88	10.78	2.96	11.20	3.01
	25.0	8.86	2.84	9.28	2.90	9.70	2.95	9.90	2.98	10.53	3.06	10.95	3.11
	32.0	8.27	3.09	8.69	3.15	9.10	3.20	9.31	3.23	9.94	3.31	10.36	3.36
	35.0	8.02	3.21	8.43	3.26	8.85	3.32	9.06	3.34	9.69	3.42	10.10	3.48
	40.0	7.59	3.42	8.01	3.47	8.43	3.52	8.64	3.55	9.26	3.63	9.68	3.68
	43.0	7.34	3.55	7.76	3.60	8.17	3.60	8.37	3.60	8.97	3.60	9.36	3.60
	46.0	7.02	3.03	7.37	3.03	7.72	3.03	7.89	3.03	8.39	3.03	8.71	3.03
2.0+2.0+4.2+5.0	22.0	9.28	2.77	9.71	2.82	10.13	2.88	10.35	2.90	10.99	2.99	11.41	3.04
	25.0	9.03	2.87	9.45	2.92	9.88	2.98	10.09	3.00	10.73	3.08	11.15	3.14
	32.0	8.42	3.12	8.85	3.18	9.28	3.23	9.49	3.26	10.13	3.34	10.55	3.39
	35.0	8.17	3.24	8.59	3.29	9.02	3.35	9.23	3.37	9.87	3.45	10.29	3.51
	40.0	7.74	3.45	8.16	3.50	8.59	3.55	8.80	3.58	9.44	3.66	9.86	3.72
	43.0	7.48	3.58	7.90	3.60	8.32	3.60	8.53	3.60	9.13	3.60	9.52	3.60
	46.0	7.13	3.03	7.49	3.03	7.84	3.03	8.01	3.03	8.51	3.03	8.84	3.03
2.0+2.0+4.2+6.0	22.0	9.73	2.82	10.17	2.87	10.62	2.93	10.84	2.96	11.51	3.04	11.95	3.09
	25.0	9.46	2.92	9.90	2.97	10.35	3.03	10.57	3.06	11.24	3.14	11.68	3.19
	32.0	8.83	3.18	9.27	3.23	9.72	3.29	9.94	3.31	10.61	3.40	11.05	3.45
	35.0	8.56	3.30	9.00	3.35	9.45	3.41	9.67	3.43	10.34	3.52	10.78	3.57
	40.0	8.11	3.51	8.55	3.56	9.00	3.62	9.22	3.64	9.89	3.73	10.32	3.75
	43.0	7.84	3.60	8.27	3.60	8.70	3.60	8.91	3.60	9.53	3.60	9.93	3.60
	46.0	7.43	3.03	7.79	3.03	8.15	3.03	8.33	3.03	8.84	3.03	9.18	3.03
2.0+2.0+4.2+7.1	22.0	10.14	3.21	10.60	3.27	11.07	3.33	11.30	3.36	12.00	3.45	12.46	3.52
	25.0	9.86	3.32	10.32	3.38	10.79	3.45	11.02	3.48	11.72	3.57	12.18	3.63
	32.0	9.20	3.61	9.67	3.68	10.13	3.74	10.36	3.77	11.06	3.86	11.52	3.92
	35.0	8.92	3.75	9.38	3.81	9.85	3.87	10.08	3.90	10.78	4.00	11.23	4.02
	40.0	8.45	3.75	8.91	3.75	9.37	3.75	9.58	3.75	10.22	3.75	10.63	3.75
	43.0	8.17	3.60	8.63	3.60	9.10	3.60	9.32	3.60	9.92	3.60	10.32	3.60
	46.0	7.86	3.03	8.22	3.03	8.57	3.03	8.74	3.03	9.25	3.03	9.58	3.03
2.0+2.0+5.0+5.0	22.0	9.46	2.79	9.89	2.84	10.32	2.89	10.54	2.92	11.19	3.00	11.62	3.06
	25.0	9.19	2.89	9.63	2.94	10.06	2.99	10.28	3.02	10.92	3.10	11.36	3.16
	32.0	8.58	3.14	9.01	3.19	9.45	3.25	9.66	3.28	10.31	3.36	10.75	3.41
	35.0	8.32	3.26	8.75	3.31	9.18	3.37	9.40	3.39	10.05	3.47	10.48	3.53
	40.0	7.88	3.47	8.31	3.52	8.75	3.57	8.96	3.60	9.61	3.68	10.04	3.74
	43.0	7.62	3.60	8.05	3.60	8.47	3.60	8.68	3.60	9.28	3.60	9.68	3.60
	46.0	7.25	3.03	7.61	3.03	7.96	3.03	8.13	3.03	8.64	3.03	8.97	3.03
2.0+2.0+5.0+6.0	22.0	10.46	3.50	10.94	3.57	11.42	3.64	11.66	3.67	12.38	3.77	12.86	3.84
	25.0	10.17	3.63	10.65	3.69	11.13	3.76	11.37	3.80	12.09	3.90	12.57	3.97
	32.0	9.49	3.95	9.97	4.01	10.45	4.08	10.69	4.12	11.40	4.18	11.86	4.18
	35.0	9.20	4.02	9.68	4.02	10.16	4.02	10.39	4.02	11.07	4.02	11.51	4.02
	40.0	8.72	3.75	9.20	3.75	9.68	3.75	9.92	3.75	10.59	3.75	11.00	3.75
	43.0	8.43	3.60	8.91	3.60	9.39	3.60	9.63	3.60	10.34	3.60	10.73	3.60
	46.0	8.14	3.03	8.62	3.03	8.98	3.03	9.15	3.03	9.65	3.03	9.98	3.03

3D059282

NOTES

- Capacities are based on following conditions
 Corresponding refrigerant piping length : 5.0m
 Level difference : 0m
- The bold line [] is indicated the standard condition.
- The above is the value for connecting with the following indoor units.
 2.0, 2.5, 3.5, 4.2, 5.0 kW class; wall mounted G series
 6.0, 7.1 kW class; wall mounted F series

SYMBOLS

- TC : Total cooling capacity (kW)
 PI : Power input (kW)

5 Capacity tables

5 - 2 Cooling capacity tables

5MK590E
Cooling [50Hz 230V]

Combination (Capacity)	Outdoor air temp. °CDB	Indoor air temp.: °CWB											
		14°C		16°C		18°C		19°C		22°C		24°C	
		TC kW	PI kW	TC kW	PI kW	TC kW	PI kW	TC kW	PI kW	TC kW	PI kW	TC kW	PI kW
2.0+2.5+3.5+3.5	22.0	9.09	2.74	9.51	2.80	9.93	2.85	10.13	2.88	10.76	2.96	11.18	3.01
	25.0	8.84	2.84	9.26	2.90	9.67	2.95	9.88	2.98	10.51	3.06	10.92	3.11
	32.0	8.25	3.09	8.67	3.15	9.08	3.20	9.29	3.23	9.92	3.31	10.33	3.36
	35.0	8.00	3.21	8.42	3.26	8.83	3.32	9.04	3.34	9.66	3.42	10.08	3.48
	40.0	7.58	3.42	7.99	3.47	8.41	3.52	8.62	3.55	9.24	3.63	9.66	3.68
	43.0	7.33	3.55	7.74	3.60	8.15	3.60	8.36	3.60	8.95	3.60	9.34	3.60
	46.0	7.00	3.03	7.36	3.03	7.70	3.03	7.87	3.03	8.37	3.03	8.69	3.03
2.0+2.5+3.5+4.2	22.0	9.10	2.74	9.52	2.80	9.94	2.85	10.15	2.88	10.77	2.96	11.19	3.01
	25.0	8.85	2.84	9.27	2.90	9.68	2.95	9.89	2.98	10.52	3.06	10.94	3.11
	32.0	8.26	3.09	8.68	3.15	9.09	3.20	9.30	3.23	9.93	3.31	10.35	3.36
	35.0	8.01	3.21	8.42	3.26	8.84	3.32	9.05	3.34	9.68	3.42	10.09	3.48
	40.0	7.59	3.42	8.00	3.47	8.42	3.52	8.63	3.55	9.25	3.63	9.67	3.68
	43.0	7.33	3.55	7.75	3.60	8.16	3.60	8.37	3.60	8.96	3.60	9.35	3.60
	46.0	7.01	3.03	7.36	3.03	7.71	3.03	7.88	3.03	8.38	3.03	8.70	3.03
2.0+2.5+3.5+5.0	22.0	9.27	2.76	9.70	2.82	10.12	2.87	10.34	2.90	10.97	2.98	11.40	3.03
	25.0	9.02	2.86	9.44	2.91	9.87	2.97	10.08	2.99	10.72	3.08	11.14	3.13
	32.0	8.42	3.11	8.84	3.17	9.27	3.22	9.48	3.25	10.11	3.33	10.54	3.38
	35.0	8.16	3.23	8.58	3.28	9.01	3.34	9.22	3.36	9.86	3.44	10.28	3.50
	40.0	7.73	3.44	8.15	3.49	8.58	3.54	8.79	3.57	9.43	3.65	9.85	3.70
	43.0	7.47	3.57	7.90	3.60	8.31	3.60	8.52	3.60	9.12	3.60	9.51	3.60
	46.0	7.13	3.03	7.48	3.03	7.83	3.03	8.00	3.03	8.51	3.03	8.84	3.03
2.0+2.5+3.5+6.0	22.0	9.72	2.82	10.16	2.87	10.61	2.93	10.83	2.96	11.50	3.04	11.94	3.09
	25.0	9.45	2.92	9.89	2.97	10.34	3.03	10.56	3.06	11.23	3.14	11.67	3.19
	32.0	8.82	3.18	9.26	3.23	9.71	3.29	9.93	3.31	10.60	3.40	11.04	3.45
	35.0	8.55	3.30	8.99	3.35	9.44	3.41	9.66	3.43	10.38	3.52	10.77	3.57
	40.0	8.10	3.51	8.54	3.56	8.99	3.62	9.21	3.64	9.88	3.73	10.31	3.75
	43.0	7.83	3.60	8.26	3.60	8.69	3.60	8.90	3.60	9.52	3.60	9.92	3.60
	46.0	7.42	3.03	7.79	3.03	8.14	3.03	8.32	3.03	8.84	3.03	9.17	3.03
2.0+2.5+3.5+7.1	22.0	10.18	3.27	10.65	3.33	11.11	3.40	11.35	3.43	12.04	3.53	12.51	3.59
	25.0	9.90	3.39	10.36	3.45	10.83	3.52	11.06	3.55	11.76	3.64	12.23	3.71
	32.0	9.24	3.69	9.70	3.75	10.17	3.81	10.40	3.85	11.10	3.94	11.57	4.01
	35.0	8.95	3.83	9.42	3.89	9.89	3.95	10.12	3.98	10.80	4.02	11.25	4.02
	40.0	8.48	3.75	8.95	3.75	9.42	3.75	9.63	3.75	10.27	3.75	10.68	3.75
	43.0	8.20	3.60	8.67	3.60	9.13	3.60	9.37	3.60	9.98	3.60	10.38	3.60
	46.0	7.92	3.03	8.29	3.03	8.64	3.03	8.81	3.03	9.31	3.03	9.64	3.03
2.0+2.5+4.2+4.2	22.0	9.16	2.80	9.58	2.86	10.00	2.91	10.21	2.94	10.84	3.02	11.26	3.08
	25.0	8.91	2.90	9.33	2.96	9.75	3.01	9.96	3.04	10.59	3.12	11.01	3.18
	32.0	8.32	3.16	8.73	3.21	9.15	3.27	9.36	3.30	9.99	3.38	10.41	3.43
	35.0	8.06	3.28	8.48	3.33	8.90	3.39	9.11	3.41	9.74	3.50	10.16	3.55
	40.0	7.64	3.49	8.06	3.54	8.48	3.60	8.69	3.62	9.32	3.70	9.73	3.75
	43.0	7.38	3.60	7.80	3.60	8.21	3.60	8.42	3.60	9.01	3.60	9.40	3.60
	46.0	7.07	3.03	7.42	3.03	7.76	3.03	7.93	3.03	8.43	3.03	8.75	3.03

3D059283

NOTES

- Capacities are based on following conditions
Corresponding refrigerant piping length : 5.0m
Level difference : 0m
- The bold line **□** is indicated the standard condition.
- The above is the value for connecting with the following indoor units.
2.0, 2.5, 3.5, 4.2, 5.0 kW class; wall mounted G series
6.0, 7.1 kW class; wall mounted F series

SYMBOLS

- TC : Total cooling capacity (kW)
PI : Power input (kW)

5 Capacity tables

5 - 2 Cooling capacity tables

5MK590E

Cooling [50Hz 230V]

Combination (Capacity)	Outdoor air temp. °CDB	Indoor air temp.: °CWB											
		14°C		16°C		18°C		19°C		22°C		24°C	
		TC kW	PI kW	TC kW	PI kW	TC kW	PI kW	TC kW	PI kW	TC kW	PI kW	TC kW	PI kW
2.0+3.5+3.5+5.0	22.0	9.27	2.77	9.70	2.82	10.12	2.88	10.34	2.80	10.97	2.99	11.40	3.04
	25.0	9.02	2.87	9.44	2.92	9.87	2.98	10.08	3.00	10.72	3.08	11.14	3.14
	32.0	8.42	3.12	8.84	3.18	9.27	3.23	9.48	3.26	10.11	3.34	10.54	3.39
	35.0	8.16	3.24	8.58	3.29	9.01	3.35	9.22	3.37	9.86	3.45	10.28	3.51
	40.0	7.73	3.45	8.15	3.50	8.58	3.55	8.79	3.58	9.43	3.66	9.85	3.72
	43.0	7.47	3.58	7.90	3.60	8.31	3.60	8.52	3.60	9.12	3.60	9.51	3.60
	46.0	7.13	3.03	7.48	3.03	7.83	3.03	8.00	3.03	8.51	3.03	8.84	3.03
2.0+3.5+3.5+6.0	22.0	10.16	3.26	10.62	3.33	11.09	3.39	11.32	3.42	12.02	3.52	12.49	3.58
	25.0	9.88	3.38	10.34	3.44	10.81	3.51	11.04	3.54	11.74	3.63	12.20	3.70
	32.0	9.22	3.68	9.68	3.74	10.15	3.80	10.38	3.84	11.08	3.93	11.55	4.00
	35.0	8.94	3.82	9.40	3.88	9.87	3.94	10.10	3.97	10.79	4.02	11.23	4.02
	40.0	8.47	3.75	8.93	3.75	9.40	3.75	9.61	3.75	10.25	3.75	10.66	3.75
	43.0	8.18	3.60	8.65	3.60	9.11	3.60	9.35	3.60	9.96	3.60	10.36	3.60
	46.0	7.90	3.03	8.27	3.03	8.62	3.03	8.79	3.03	9.30	3.03	9.63	3.03
2.0+3.5+4.2+4.2	22.0	9.17	2.84	9.59	2.90	10.01	2.95	10.22	2.98	10.85	3.06	11.27	3.12
	25.0	8.92	2.95	9.34	3.00	9.76	3.06	9.97	3.08	10.60	3.17	11.02	3.22
	32.0	8.32	3.21	8.74	3.26	9.16	3.32	9.37	3.34	10.01	3.43	10.43	3.48
	35.0	8.07	3.33	8.49	3.38	8.91	3.44	9.12	3.46	9.75	3.55	10.17	3.60
	40.0	7.64	3.54	8.07	3.59	8.49	3.65	8.70	3.68	9.32	3.75	9.73	3.75
	43.0	7.39	3.60	7.81	3.60	8.23	3.60	8.43	3.60	9.02	3.60	9.40	3.60
	46.0	7.09	3.03	7.44	3.03	7.78	3.03	7.95	3.03	8.45	3.03	8.77	3.03
2.0+3.5+4.2+5.0	22.0	9.72	3.19	10.16	3.25	10.61	3.31	10.83	3.34	11.50	3.44	11.94	3.50
	25.0	9.45	3.30	9.89	3.37	10.34	3.43	10.56	3.46	11.23	3.55	11.67	3.61
	32.0	8.82	3.59	9.26	3.66	9.71	3.72	9.93	3.75	10.60	3.84	11.04	3.90
	35.0	8.55	3.73	8.99	3.79	9.44	3.85	9.66	3.88	10.33	3.98	10.77	4.02
	40.0	8.10	3.75	8.54	3.75	8.99	3.75	9.21	3.75	9.83	3.75	10.24	3.75
	43.0	7.83	3.60	8.27	3.60	8.72	3.60	8.94	3.60	9.57	3.60	9.96	3.60
	46.0	7.56	3.03	7.97	3.03	8.31	3.03	8.47	3.03	8.97	3.03	9.29	3.03
2.0+3.5+5.0+5.0	22.0	10.02	3.41	10.48	3.48	10.94	3.54	11.17	3.58	11.85	3.68	12.31	3.74
	25.0	9.74	3.53	10.20	3.60	10.66	3.67	10.89	3.70	11.58	3.80	12.03	3.87
	32.0	9.09	3.84	9.55	3.91	10.01	3.98	10.24	4.01	10.93	4.11	11.39	4.18
	35.0	8.81	3.99	9.27	4.02	9.73	4.02	9.96	4.02	10.63	4.02	11.06	4.02
	40.0	8.35	3.75	8.81	3.75	9.27	3.75	9.50	3.75	10.18	3.75	10.58	3.75
	43.0	8.07	3.60	8.53	3.60	8.99	3.60	9.22	3.60	9.91	3.60	10.33	3.60
	46.0	7.79	3.03	8.25	3.03	8.65	3.03	8.82	3.03	9.31	3.03	9.64	3.03
2.0+4.2+4.2+4.2	22.0	9.18	2.84	9.60	2.90	10.02	2.95	10.24	2.98	10.87	3.06	11.29	3.12
	25.0	8.93	2.95	9.35	3.00	9.77	3.06	9.98	3.08	10.61	3.17	11.03	3.22
	32.0	8.33	3.21	8.75	3.26	9.17	3.32	9.39	3.34	10.02	3.43	10.44	3.48
	35.0	8.08	3.33	8.50	3.38	8.92	3.44	9.13	3.46	9.76	3.55	10.18	3.60
	40.0	7.65	3.54	8.07	3.59	8.49	3.65	8.70	3.68	9.33	3.75	9.74	3.75
	43.0	7.40	3.60	7.82	3.60	8.23	3.60	8.44	3.60	9.03	3.60	9.41	3.60
	46.0	7.10	3.03	7.45	3.03	7.79	3.03	7.96	3.03	8.45	3.03	8.78	3.03

3D059284

NOTES

- Capacities are based on following conditions
Corresponding refrigerant piping length : 5.0m
Level difference : 0m
- The bold line [] is indicated the standard condition.
- The above is the value for connecting with the following indoor units.
2.0, 2.5, 3.5, 4.2, 5.0 kW class; wall mounted G series
6.0, 7.1 kW class; wall mounted F series

SYMBOLS

- TC : Total cooling capacity (kW)
PI : Power input (kW)

5 Capacity tables

5 - 2 Cooling capacity tables

5MK90E													
Cooling [50Hz 230V]													
Combination (Capacity)	Outdoor air temp. °CDB	Indoor air temp.: °CWB											
		14°C		16°C		18°C		19°C		22°C		24°C	
		TC kW	PI kW	TC kW	PI kW	TC kW	PI kW	TC kW	PI kW	TC kW	PI kW	TC kW	PI kW
2.5+2.5+2.5+7.1	22.0	9.74	2.83	10.18	2.88	10.63	2.94	10.85	2.96	11.52	3.05	11.97	3.10
	25.0	9.47	2.93	9.91	2.98	10.36	3.04	10.58	3.07	11.25	3.15	11.70	3.20
	32.0	8.84	3.19	9.28	3.24	9.73	3.30	9.95	3.32	10.62	3.41	11.07	3.46
	35.0	8.57	3.31	9.01	3.36	9.46	3.42	9.68	3.44	10.35	3.53	10.79	3.58
	40.0	8.11	3.52	8.56	3.57	9.01	3.63	9.23	3.65	9.90	3.74	10.33	3.75
	43.0	7.84	3.60	8.28	3.60	8.71	3.60	8.92	3.60	9.54	3.60	9.94	3.60
	46.0	7.44	3.03	7.80	3.03	8.16	3.03	8.33	3.03	8.85	3.03	9.19	3.03
2.5+2.5+3.5+3.5	22.0	9.09	2.74	9.51	2.80	9.93	2.85	10.13	2.88	10.76	2.96	11.18	3.01
	25.0	8.84	2.84	9.26	2.90	9.67	2.95	9.88	2.98	10.51	3.06	10.92	3.11
	32.0	8.25	3.09	8.67	3.15	9.08	3.20	9.29	3.23	9.92	3.31	10.33	3.36
	35.0	8.00	3.21	8.42	3.26	8.83	3.32	9.04	3.34	9.66	3.42	10.08	3.48
	40.0	7.58	3.42	7.99	3.47	8.41	3.52	8.62	3.55	9.24	3.63	9.66	3.68
	43.0	7.33	3.55	7.74	3.60	8.15	3.60	8.36	3.60	8.95	3.60	9.34	3.60
	46.0	7.00	3.03	7.36	3.03	7.70	3.03	7.87	3.03	8.37	3.03	8.69	3.03
2.5+2.5+3.5+4.2	22.0	9.16	2.80	9.58	2.86	10.00	2.91	10.21	2.94	10.84	3.02	11.26	3.08
	25.0	8.91	2.90	9.33	2.96	9.75	3.01	9.96	3.04	10.59	3.12	11.01	3.18
	32.0	8.32	3.16	8.73	3.21	9.15	3.27	9.36	3.30	9.99	3.38	10.41	3.43
	35.0	8.06	3.28	8.48	3.33	8.90	3.39	9.11	3.41	9.74	3.50	10.16	3.55
	40.0	7.64	3.49	8.06	3.54	8.48	3.60	8.69	3.62	9.32	3.70	9.73	3.75
	43.0	7.38	3.60	7.80	3.60	8.21	3.60	8.42	3.60	9.01	3.60	9.40	3.60
	46.0	7.07	3.03	7.42	3.03	7.76	3.03	7.93	3.03	8.43	3.03	8.75	3.03
2.5+2.5+3.5+5.0	22.0	9.27	2.76	9.70	2.82	10.12	2.87	10.34	2.90	10.97	2.98	11.40	3.03
	25.0	9.02	2.86	9.44	2.91	9.87	2.97	10.08	2.99	10.72	3.08	11.14	3.13
	32.0	8.42	3.11	8.84	3.17	9.27	3.22	9.48	3.25	10.11	3.33	10.54	3.38
	35.0	8.16	3.23	8.58	3.28	9.01	3.34	9.22	3.36	9.86	3.44	10.28	3.50
	40.0	7.73	3.44	8.15	3.49	8.58	3.54	8.79	3.57	9.43	3.65	9.85	3.70
	43.0	7.47	3.57	7.90	3.60	8.31	3.60	8.52	3.60	9.12	3.60	9.51	3.60
	46.0	7.13	3.03	7.48	3.03	7.83	3.03	8.00	3.03	8.51	3.03	8.84	3.03
2.5+2.5+3.5+6.0	22.0	9.72	2.82	10.16	2.87	10.61	2.93	10.83	2.96	11.50	3.04	11.94	3.09
	25.0	9.45	2.92	9.89	2.97	10.34	3.03	10.56	3.06	11.23	3.14	11.67	3.19
	32.0	8.82	3.18	9.26	3.23	9.71	3.29	9.93	3.31	10.60	3.40	11.04	3.45
	35.0	8.55	3.30	8.99	3.35	9.44	3.41	9.66	3.43	10.33	3.52	10.77	3.57
	40.0	8.10	3.51	8.54	3.56	8.99	3.62	9.21	3.64	9.88	3.73	10.31	3.75
	43.0	7.83	3.60	8.26	3.60	8.69	3.60	8.90	3.60	9.52	3.60	9.92	3.60
	46.0	7.42	3.03	7.79	3.03	8.14	3.03	8.32	3.03	8.84	3.03	9.17	3.03
2.5+2.5+3.5+7.1	22.0	10.18	3.27	10.65	3.33	11.11	3.40	11.35	3.43	12.04	3.53	12.51	3.59
	25.0	9.90	3.39	10.36	3.45	10.83	3.52	11.06	3.55	11.76	3.64	12.23	3.71
	32.0	9.24	3.69	9.70	3.75	10.17	3.81	10.40	3.85	11.10	3.94	11.57	4.01
	35.0	8.95	3.83	9.42	3.89	9.89	3.95	10.12	3.98	10.80	4.02	11.25	4.02
	40.0	8.48	3.75	8.95	3.75	9.42	3.75	9.63	3.75	10.27	3.75	10.68	3.75
	43.0	8.20	3.60	8.67	3.60	9.13	3.60	9.37	3.60	9.98	3.60	10.38	3.60
	46.0	7.92	3.03	8.29	3.03	8.64	3.03	8.81	3.03	9.31	3.03	9.64	3.03

3D059285

NOTES

- Capacities are based on following conditions
Corresponding refrigerant piping length : 5.0m
Level difference : 0m
- The bold line **□** is indicated the standard condition.
- The above is the value for connecting with the following indoor units.
2.0, 2.5, 3.5, 4.2, 5.0 kW class; wall mounted G series
6.0, 7.1 kW class; wall mounted F series

SYMBOLS

- TC : Total cooling capacity (kW)
PI : Power input (kW)

5 Capacity tables

5 - 2 Cooling capacity tables

5MK590E

Cooling [50Hz 230V]

Combination (Capacity)	Outdoor air temp. °CDB	Indoor air temp.: °CWB											
		14°C		16°C		18°C		19°C		22°C		24°C	
		TC kW	PI kW	TC kW	PI kW	TC kW	PI kW	TC kW	PI kW	TC kW	PI kW	TC kW	PI kW
2.5+3.5+3.5+5.0	22.0	9.27	2.77	9.70	2.82	10.12	2.88	10.94	2.90	10.97	2.99	11.40	3.04
	25.0	9.02	2.87	9.44	2.92	9.87	2.98	10.08	3.00	10.72	3.08	11.14	3.14
	32.0	8.42	3.12	8.84	3.18	9.27	3.23	9.48	3.26	10.11	3.34	10.54	3.39
	35.0	8.16	3.24	8.58	3.29	9.01	3.35	9.22	3.37	9.86	3.45	10.28	3.51
	40.0	7.73	3.45	8.15	3.50	8.58	3.55	8.79	3.58	9.49	3.66	9.85	3.72
	43.0	7.47	3.58	7.90	3.60	8.31	3.60	8.52	3.60	9.12	3.60	9.51	3.60
	46.0	7.13	3.03	7.48	3.03	7.83	3.03	8.00	3.03	8.51	3.03	8.84	3.03
2.5+3.5+3.5+6.0	22.0	10.16	3.26	10.62	3.33	11.09	3.39	11.32	3.42	12.02	3.52	12.49	3.58
	25.0	9.88	3.38	10.34	3.44	10.81	3.51	11.04	3.54	11.74	3.63	12.20	3.70
	32.0	9.22	3.68	9.68	3.74	10.15	3.80	10.38	3.84	11.08	3.93	11.55	4.00
	35.0	8.94	3.82	9.40	3.88	9.87	3.94	10.10	3.97	10.79	4.02	11.23	4.02
	40.0	8.47	3.75	8.93	3.75	9.40	3.75	9.61	3.75	10.25	3.75	10.66	3.75
	43.0	8.18	3.60	8.85	3.60	9.11	3.60	9.35	3.60	9.96	3.60	10.36	3.60
	46.0	7.90	3.03	8.27	3.03	8.62	3.03	8.79	3.03	9.30	3.03	9.63	3.03
2.5+3.5+4.2+4.2	22.0	9.19	2.84	9.61	2.90	10.04	2.95	10.25	2.98	10.88	3.06	11.30	3.12
	25.0	8.94	2.95	9.36	3.00	9.78	3.06	9.99	3.08	10.62	3.17	11.04	3.22
	32.0	8.34	3.21	8.76	3.26	9.18	3.32	9.40	3.34	10.03	3.43	10.45	3.48
	35.0	8.09	3.33	8.51	3.38	8.93	3.44	9.14	3.46	9.77	3.55	10.19	3.60
	40.0	7.66	3.54	8.08	3.59	8.50	3.65	8.71	3.68	9.34	3.75	9.75	3.75
	43.0	7.41	3.60	7.83	3.60	8.24	3.60	8.44	3.60	9.04	3.60	9.42	3.60
	46.0	7.10	3.03	7.45	3.03	7.80	3.03	7.96	3.03	8.46	3.03	8.78	3.03
2.5+3.5+4.2+5.0	22.0	9.72	3.19	10.16	3.25	10.61	3.31	10.83	3.34	11.50	3.44	11.94	3.50
	25.0	9.45	3.30	9.89	3.37	10.34	3.43	10.56	3.46	11.23	3.55	11.67	3.61
	32.0	8.82	3.59	9.26	3.66	9.71	3.72	9.93	3.75	10.60	3.84	11.04	3.90
	35.0	8.55	3.73	8.99	3.79	9.44	3.85	9.66	3.88	10.33	3.98	10.77	4.02
	40.0	8.10	3.75	8.54	3.75	8.99	3.75	9.21	3.75	9.89	3.75	10.24	3.75
	43.0	7.83	3.60	8.27	3.60	8.72	3.60	8.94	3.60	9.57	3.60	9.96	3.60
	46.0	7.56	3.03	7.97	3.03	8.31	3.03	8.47	3.03	8.97	3.03	9.29	3.03
2.5+4.2+4.2+4.2	22.0	9.58	3.21	10.01	3.27	10.45	3.33	10.67	3.36	11.33	3.45	11.77	3.52
	25.0	9.31	3.32	9.75	3.38	10.19	3.45	10.41	3.48	11.06	3.57	11.50	3.63
	32.0	8.69	3.61	9.13	3.68	9.57	3.74	9.79	3.77	10.44	3.86	10.88	3.92
	35.0	8.42	3.75	8.86	3.81	9.30	3.87	9.52	3.90	10.18	4.00	10.61	4.02
	40.0	7.98	3.75	8.42	3.75	8.86	3.75	9.08	3.75	9.71	3.75	10.11	3.75
	43.0	7.71	3.60	8.15	3.60	8.59	3.60	8.81	3.60	9.47	3.60	9.85	3.60
	46.0	7.45	3.03	7.89	3.03	8.23	3.03	8.40	3.03	8.89	3.03	9.21	3.03
3.5+3.5+3.5+3.5	22.0	9.10	2.79	9.52	2.84	9.94	2.89	10.15	2.92	10.77	3.00	11.19	3.06
	25.0	8.85	2.89	9.27	2.94	9.68	2.99	9.89	3.02	10.52	3.10	10.94	3.16
	32.0	8.26	3.14	8.68	3.19	9.09	3.25	9.30	3.28	9.93	3.36	10.35	3.41
	35.0	8.01	3.26	8.42	3.31	8.84	3.37	9.05	3.39	9.68	3.47	10.09	3.53
	40.0	7.59	3.47	8.00	3.52	8.42	3.57	8.63	3.60	9.25	3.68	9.67	3.74
	43.0	7.33	3.60	7.75	3.60	8.16	3.60	8.36	3.60	8.96	3.60	9.34	3.60
	46.0	7.02	3.03	7.37	3.03	7.72	3.03	7.89	3.03	8.38	3.03	8.71	3.03

3D059286

NOTES

- Capacities are based on following conditions
Corresponding refrigerant piping length : 5.0m
Level difference : 0m
- The bold line [] is indicated the standard condition.
- The above is the value for connecting with the following indoor units.
2.0, 2.5, 3.5, 4.2, 5.0 kW class; wall mounted G series
6.0, 7.1 kW class; wall mounted F series

SYMBOLS

- TC : Total cooling capacity (kW)
PI : Power input (kW)

5 Capacity tables

5 - 2 Cooling capacity tables

5MK90E
Cooling [50Hz 230V]

Combination (Capacity)	Outdoor air temp. °CDB	Indoor air temp.: °CWB											
		14°C		16°C		18°C		19°C		22°C		24°C	
		TC kW	PI kW	TC kW	PI kW	TC kW	PI kW	TC kW	PI kW	TC kW	PI kW	TC kW	PI kW
2.0+2.0+2.0+2.0+4.2	22.0	9.74	2.83	10.18	2.88	10.63	2.94	10.85	2.96	11.52	3.05	11.97	3.10
	25.0	9.47	2.93	9.91	2.98	10.36	3.04	10.58	3.07	11.25	3.15	11.70	3.20
	32.0	8.84	3.19	9.28	3.24	9.73	3.30	9.95	3.32	10.62	3.41	11.07	3.46
	35.0	8.57	3.31	9.01	3.36	9.46	3.42	9.68	3.44	10.35	3.53	10.79	3.58
	40.0	8.11	3.52	8.56	3.57	9.01	3.63	9.23	3.65	9.90	3.74	10.33	3.75
	43.0	7.84	3.60	8.28	3.60	8.71	3.60	8.92	3.60	9.54	3.60	9.94	3.60
	46.0	7.44	3.03	7.80	3.03	8.16	3.03	8.33	3.03	8.85	3.03	9.19	3.03
2.0+2.0+2.0+2.0+5.0	22.0	9.91	2.84	10.36	2.90	10.82	2.95	11.04	2.98	11.72	3.06	12.18	3.12
	25.0	9.63	2.95	10.09	3.00	10.54	3.06	10.77	3.08	11.45	3.17	11.90	3.22
	32.0	8.99	3.21	9.44	3.26	9.90	3.32	10.13	3.34	10.81	3.43	11.26	3.48
	35.0	8.72	3.33	9.17	3.38	9.62	3.44	9.85	3.46	10.53	3.55	10.98	3.60
	40.0	8.26	3.54	8.71	3.59	9.16	3.65	9.39	3.68	10.07	3.75	10.50	3.75
	43.0	7.98	3.60	8.42	3.60	8.85	3.60	9.06	3.60	9.69	3.60	10.09	3.60
	46.0	7.55	3.03	7.92	3.03	8.28	3.03	8.45	3.03	8.98	3.03	9.32	3.03
2.0+2.0+2.0+2.0+6.0	22.0	10.36	2.90	10.84	2.96	11.31	3.01	11.55	3.04	12.26	3.13	12.73	3.18
	25.0	10.07	3.01	10.55	3.06	11.02	3.12	11.26	3.15	11.97	3.23	12.45	3.29
	32.0	9.40	3.27	9.88	3.33	10.35	3.38	10.59	3.41	11.30	3.50	11.77	3.55
	35.0	9.11	3.39	9.59	3.45	10.06	3.51	10.30	3.53	11.01	3.62	11.49	3.67
	40.0	8.63	3.61	9.11	3.67	9.58	3.72	9.82	3.75	10.49	3.75	10.93	3.75
	43.0	8.34	3.60	8.79	3.60	9.23	3.60	9.45	3.60	10.08	3.60	10.50	3.60
	46.0	7.84	3.03	8.22	3.03	8.59	3.03	8.77	3.03	9.30	3.03	9.65	3.03
2.0+2.0+2.0+2.0+7.1	22.0	10.52	3.04	11.00	3.10	11.49	3.16	11.73	3.19	12.45	3.28	12.93	3.34
	25.0	10.23	3.15	10.71	3.21	11.19	3.27	11.43	3.30	12.16	3.39	12.64	3.45
	32.0	9.55	3.43	10.03	3.49	10.51	3.55	10.75	3.58	11.48	3.66	11.96	3.72
	35.0	9.26	3.56	9.74	3.62	10.22	3.67	10.46	3.70	11.18	3.79	11.66	3.85
	40.0	8.77	3.75	9.24	3.75	9.70	3.75	9.92	3.75	10.59	3.75	11.02	3.75
	43.0	8.47	3.60	8.92	3.60	9.36	3.60	9.57	3.60	10.21	3.60	10.62	3.60
	46.0	7.98	3.03	8.36	3.03	8.72	3.03	8.90	3.03	9.44	3.03	9.78	3.03
2.0+2.0+2.0+2.5+2.5	22.0	9.51	2.70	9.94	2.76	10.38	2.81	10.59	2.84	11.25	2.91	11.68	2.97
	25.0	9.24	2.80	9.68	2.85	10.11	2.91	10.33	2.93	10.98	3.01	11.42	3.06
	32.0	8.63	3.05	9.06	3.10	9.50	3.15	9.71	3.18	10.37	3.26	10.80	3.31
	35.0	8.36	3.16	8.80	3.21	9.23	3.27	9.45	3.29	10.10	3.37	10.54	3.43
	40.0	7.92	3.36	8.36	3.42	8.79	3.47	9.01	3.50	9.66	3.57	10.10	3.63
	43.0	7.66	3.49	8.09	3.54	8.53	3.60	8.74	3.60	9.36	3.60	9.76	3.60
	46.0	7.26	3.03	7.63	3.03	7.99	3.03	8.16	3.03	8.68	3.03	9.02	3.03
2.0+2.0+2.0+2.5+3.5	22.0	9.73	2.82	10.17	2.87	10.62	2.93	10.84	2.96	11.51	3.04	11.95	3.09
	25.0	9.46	2.92	9.90	2.97	10.35	3.03	10.57	3.06	11.24	3.14	11.68	3.19
	32.0	8.83	3.18	9.27	3.23	9.72	3.29	9.94	3.31	10.61	3.40	11.05	3.45
	35.0	8.56	3.30	9.00	3.35	9.45	3.41	9.67	3.43	10.34	3.52	10.78	3.57
	40.0	8.11	3.51	8.55	3.56	9.00	3.62	9.22	3.64	9.89	3.73	10.32	3.75
	43.0	7.84	3.60	8.27	3.60	8.70	3.60	8.91	3.60	9.53	3.60	9.93	3.60
	46.0	7.43	3.03	7.79	3.03	8.15	3.03	8.33	3.03	8.84	3.03	9.18	3.03

3D059287

NOTES

- Capacities are based on following conditions
Corresponding refrigerant piping length : 5.0m
Level difference : 0m
- The bold line **□** is indicated the standard condition.
- The above is the value for connecting with the following indoor units.
2.0, 2.5, 3.5, 4.2, 5.0 kW class; wall mounted G series
6.0, 7.1 kW class; wall mounted F series

SYMBOLS

- TC : Total cooling capacity (kW)
PI : Power input (kW)

5 Capacity tables

5 - 2 Cooling capacity tables

5MK590E

Cooling [50Hz 230V]

Combination (Capacity)	Outdoor air temp. °CDB	Indoor air temp.: °CWB											
		14°C		16°C		18°C		19°C		22°C		24°C	
		TC kW	PI kW	TC kW	PI kW	TC kW	PI kW	TC kW	PI kW	TC kW	PI kW	TC kW	PI kW
2.0+2.0+2.0+3.5+5.0	22.0	9.92	2.84	10.97	2.90	10.83	2.95	11.05	2.98	11.74	3.06	12.19	3.12
	25.0	9.64	2.95	10.10	3.00	10.55	3.06	10.78	3.08	11.46	3.17	11.91	3.22
	32.0	9.00	3.21	9.45	3.26	9.91	3.32	10.14	3.34	10.82	3.43	11.27	3.48
	35.0	8.72	3.33	9.18	3.38	9.63	3.44	9.86	3.46	10.54	3.55	11.00	3.60
	40.0	8.27	3.54	8.72	3.59	9.17	3.65	9.40	3.68	10.08	3.75	10.51	3.75
	43.0	7.99	3.60	8.43	3.60	8.86	3.60	9.07	3.60	9.70	3.60	10.10	3.60
	46.0	7.55	3.03	7.92	3.03	8.28	3.03	8.46	3.03	8.98	3.03	9.32	3.03
2.0+2.0+2.0+3.5+6.0	22.0	10.55	3.03	11.04	3.09	11.52	3.15	11.76	3.18	12.48	3.27	12.97	3.33
	25.0	10.26	3.14	10.74	3.20	11.23	3.26	11.47	3.29	12.19	3.38	12.68	3.44
	32.0	9.57	3.42	10.06	3.48	10.54	3.54	10.78	3.57	11.51	3.65	11.99	3.71
	35.0	9.28	3.55	9.77	3.61	10.25	3.66	10.49	3.69	11.21	3.78	11.70	3.84
	40.0	8.79	3.75	9.26	3.75	9.72	3.75	9.95	3.75	10.62	3.75	11.05	3.75
	43.0	8.49	3.60	8.94	3.60	9.38	3.60	9.60	3.60	10.23	3.60	10.65	3.60
	46.0	8.00	3.03	8.37	3.03	8.74	3.03	8.92	3.03	9.45	3.03	9.80	3.03
2.0+2.0+2.0+4.2+4.2	22.0	9.76	2.83	10.20	2.88	10.65	2.94	10.87	2.96	11.54	3.05	11.99	3.10
	25.0	9.49	2.93	9.93	2.98	10.38	3.04	10.60	3.07	11.27	3.15	11.72	3.20
	32.0	8.85	3.19	9.30	3.24	9.75	3.30	9.97	3.32	10.64	3.41	11.09	3.46
	35.0	8.58	3.31	9.03	3.36	9.48	3.42	9.70	3.44	10.37	3.53	10.82	3.58
	40.0	8.13	3.52	8.58	3.57	9.02	3.63	9.25	3.65	9.92	3.74	10.35	3.75
	43.0	7.86	3.60	8.30	3.60	8.73	3.60	8.94	3.60	9.55	3.60	9.96	3.60
	46.0	7.45	3.03	7.81	3.03	8.17	3.03	8.35	3.03	8.87	3.03	9.20	3.03
2.0+2.0+2.0+4.2+5.0	22.0	10.27	3.17	10.74	3.23	11.21	3.30	11.45	3.33	12.15	3.42	12.62	3.48
	25.0	9.98	3.29	10.46	3.35	10.93	3.41	11.16	3.44	11.87	3.53	12.34	3.59
	32.0	9.32	3.58	9.79	3.64	10.26	3.70	10.50	3.73	11.20	3.82	11.67	3.88
	35.0	9.03	3.71	9.50	3.77	9.97	3.83	10.21	3.86	10.92	3.96	11.39	4.02
	40.0	8.56	3.75	9.03	3.75	9.47	3.75	9.69	3.75	10.33	3.75	10.75	3.75
	43.0	8.27	3.60	8.74	3.60	9.20	3.60	9.40	3.60	10.02	3.60	10.42	3.60
	46.0	7.91	3.03	8.27	3.03	8.63	3.03	8.80	3.03	9.32	3.03	9.65	3.03
2.0+2.0+2.5+2.5+2.5	22.0	9.70	2.82	10.14	2.87	10.58	2.93	10.81	2.96	11.47	3.04	11.92	3.09
	25.0	9.43	2.92	9.87	2.97	10.32	3.03	10.54	3.06	11.20	3.14	11.65	3.19
	32.0	8.80	3.18	9.24	3.23	9.69	3.29	9.91	3.31	10.58	3.40	11.02	3.45
	35.0	8.53	3.30	8.97	3.35	9.42	3.41	9.64	3.43	10.31	3.52	10.75	3.57
	40.0	8.08	3.51	8.52	3.56	8.97	3.62	9.19	3.64	9.86	3.73	10.29	3.75
	43.0	7.81	3.60	8.25	3.60	8.67	3.60	8.88	3.60	9.50	3.60	9.90	3.60
	46.0	7.41	3.03	7.77	3.03	8.13	3.03	8.31	3.03	8.82	3.03	9.16	3.03
2.0+2.0+2.5+2.5+3.5	22.0	9.73	2.82	10.17	2.87	10.62	2.93	10.84	2.96	11.51	3.04	11.95	3.09
	25.0	9.46	2.92	9.90	2.97	10.35	3.03	10.57	3.06	11.24	3.14	11.68	3.19
	32.0	8.83	3.18	9.27	3.23	9.72	3.29	9.94	3.31	10.61	3.40	11.05	3.45
	35.0	8.56	3.30	9.00	3.35	9.45	3.41	9.67	3.43	10.34	3.52	10.78	3.57
	40.0	8.11	3.51	8.55	3.56	9.00	3.62	9.22	3.64	9.89	3.73	10.32	3.75
	43.0	7.84	3.60	8.27	3.60	8.70	3.60	8.91	3.60	9.53	3.60	9.93	3.60
	46.0	7.43	3.03	7.79	3.03	8.15	3.03	8.33	3.03	8.84	3.03	9.18	3.03

3D059288

NOTES

- Capacities are based on following conditions
Corresponding refrigerant piping length : 5.0m
Level difference : 0m
- The bold line [] is indicated the standard condition.
- The above is the value for connecting with the following indoor units.
2.0, 2.5, 3.5, 4.2, 5.0 kW class; wall mounted G series
6.0, 7.1 kW class; wall mounted F series

SYMBOLS

- TC : Total cooling capacity (kW)
PI : Power input (kW)

5 Capacity tables

5 - 2 Cooling capacity tables

5MK590E													
Cooling [50Hz 230V]													
Combination (Capacity)	Outdoor air temp. °CDB	Indoor air temp.: °CWB											
		14°C		16°C		18°C		19°C		22°C		24°C	
		TC kW	PI kW	TC kW	PI kW	TC kW	PI kW	TC kW	PI kW	TC kW	PI kW	TC kW	PI kW
2.0+2.0+2.5+4.2+4.2	22.0	10.15	3.21	10.81	3.27	11.08	3.33	11.31	3.36	12.01	3.45	12.47	3.52
	25.0	9.87	3.32	10.33	3.38	10.80	3.45	11.03	3.48	11.73	3.57	12.19	3.63
	32.0	9.21	3.61	9.67	3.68	10.14	3.74	10.37	3.77	11.07	3.86	11.53	3.92
	35.0	8.93	3.75	9.33	3.81	9.86	3.87	10.09	3.90	10.79	4.00	11.24	4.02
	40.0	8.46	3.75	8.92	3.75	9.38	3.75	9.59	3.75	10.23	3.75	10.64	3.75
	43.0	8.18	3.60	8.64	3.60	9.11	3.60	9.32	3.60	9.93	3.60	10.33	3.60
	46.0	7.87	3.03	8.23	3.03	8.58	3.03	8.75	3.03	9.26	3.03	9.59	3.03
2.0+2.0+3.5+3.5+3.5	22.0	9.75	2.83	10.19	2.88	10.64	2.94	10.86	2.96	11.53	3.05	11.98	3.10
	25.0	9.48	2.93	9.92	2.98	10.37	3.04	10.59	3.07	11.26	3.15	11.71	3.20
	32.0	8.84	3.19	9.29	3.24	9.74	3.30	9.96	3.32	10.63	3.41	11.08	3.46
	35.0	8.57	3.31	9.02	3.36	9.47	3.42	9.69	3.44	10.36	3.53	10.81	3.58
	40.0	8.12	3.52	8.57	3.57	9.02	3.63	9.24	3.65	9.91	3.74	10.34	3.75
	43.0	7.85	3.60	8.29	3.60	8.72	3.60	8.93	3.60	9.55	3.60	9.95	3.60
	46.0	7.44	3.03	7.81	3.03	8.16	3.03	8.34	3.03	8.86	3.03	9.20	3.03
2.0+2.0+3.5+3.5+4.2	22.0	10.14	3.21	10.60	3.27	11.07	3.33	11.30	3.36	12.00	3.45	12.46	3.52
	25.0	9.86	3.32	10.32	3.38	10.79	3.45	11.02	3.48	11.72	3.57	12.18	3.63
	32.0	9.20	3.61	9.67	3.68	10.13	3.74	10.36	3.77	11.06	3.86	11.52	3.92
	35.0	8.92	3.75	9.38	3.81	9.85	3.87	10.08	3.90	10.78	4.00	11.23	4.02
	40.0	8.45	3.75	8.91	3.75	9.37	3.75	9.58	3.75	10.22	3.75	10.63	3.75
	43.0	8.17	3.60	8.63	3.60	9.10	3.60	9.32	3.60	9.92	3.60	10.32	3.60
	46.0	7.86	3.03	8.22	3.03	8.57	3.03	8.74	3.03	9.25	3.03	9.58	3.03
2.0+2.5+2.5+2.5+2.5	22.0	9.73	2.82	10.17	2.87	10.62	2.93	10.84	2.96	11.51	3.04	11.95	3.09
	25.0	9.46	2.92	9.90	2.97	10.35	3.03	10.57	3.06	11.24	3.14	11.68	3.19
	32.0	8.83	3.18	9.27	3.23	9.72	3.29	9.94	3.31	10.61	3.40	11.05	3.45
	35.0	8.56	3.30	9.00	3.35	9.45	3.41	9.67	3.43	10.34	3.52	10.78	3.57
	40.0	8.11	3.51	8.55	3.56	9.00	3.62	9.22	3.64	9.89	3.73	10.32	3.75
	43.0	7.84	3.60	8.27	3.60	8.70	3.60	8.91	3.60	9.53	3.60	9.93	3.60
	46.0	7.43	3.03	7.79	3.03	8.15	3.03	8.33	3.03	8.84	3.03	9.18	3.03
2.0+2.5+2.5+2.5+3.5	22.0	9.73	2.82	10.17	2.87	10.62	2.93	10.84	2.96	11.51	3.04	11.95	3.09
	25.0	9.46	2.92	9.90	2.97	10.35	3.03	10.57	3.06	11.24	3.14	11.68	3.19
	32.0	8.83	3.18	9.27	3.23	9.72	3.29	9.94	3.31	10.61	3.40	11.05	3.45
	35.0	8.56	3.30	9.00	3.35	9.45	3.41	9.67	3.43	10.34	3.52	10.78	3.57
	40.0	8.11	3.51	8.55	3.56	9.00	3.62	9.22	3.64	9.89	3.73	10.32	3.75
	43.0	7.84	3.60	8.27	3.60	8.70	3.60	8.91	3.60	9.53	3.60	9.93	3.60
	46.0	7.43	3.03	7.79	3.03	8.15	3.03	8.33	3.03	8.84	3.03	9.18	3.03
2.0+2.5+2.5+2.5+4.2	22.0	9.74	2.83	10.18	2.88	10.63	2.94	10.85	2.96	11.52	3.05	11.97	3.10
	25.0	9.47	2.93	9.91	2.98	10.36	3.04	10.58	3.07	11.25	3.15	11.70	3.20
	32.0	8.84	3.19	9.28	3.24	9.73	3.30	9.95	3.32	10.62	3.41	11.07	3.46
	35.0	8.57	3.31	9.01	3.36	9.46	3.42	9.68	3.44	10.35	3.53	10.79	3.58
	40.0	8.11	3.52	8.56	3.57	9.01	3.63	9.23	3.65	9.90	3.74	10.33	3.75
	43.0	7.84	3.60	8.28	3.60	8.71	3.60	8.92	3.60	9.54	3.60	9.94	3.60
	46.0	7.44	3.03	7.80	3.03	8.16	3.03	8.33	3.03	8.85	3.03	9.19	3.03

3D059289

NOTES

- Capacities are based on following conditions
Corresponding refrigerant piping length : 5.0m
Level difference : 0m
- The bold line **□** is indicated the standard condition.
- The above is the value for connecting with the following indoor units.
2.0, 2.5, 3.5, 4.2, 5.0 kW class; wall mounted G series
6.0, 7.1 kW class; wall mounted F series

SYMBOLS

- TC : Total cooling capacity (kW)
PI : Power input (kW)

5 Capacity tables

5 - 2 Cooling capacity tables

5MKS90E

Cooling [50Hz 230V]

Combination (Capacity)	Outdoor air temp. °CDB	Indoor air temp.: °CWB											
		14°C		16°C		18°C		19°C		22°C		24°C	
		TC kW	PI kW	TC kW	PI kW	TC kW	PI kW	TC kW	PI kW	TC kW	PI kW	TC kW	PI kW
2.0+2.5+3.5+3.5+3.5	22.0	10.18	3.27	10.65	3.33	11.11	3.40	11.95	3.43	12.04	3.53	12.51	3.59
	25.0	9.90	3.33	10.36	3.45	10.83	3.52	11.06	3.55	11.76	3.64	12.23	3.71
	32.0	9.24	3.69	9.70	3.75	10.17	3.81	10.40	3.85	11.10	3.94	11.57	4.01
	35.0	8.95	3.83	9.42	3.89	9.89	3.95	10.12	3.98	10.80	4.02	11.25	4.02
	40.0	8.48	3.75	8.95	3.75	9.42	3.75	9.63	3.75	10.27	3.75	10.68	3.75
	43.0	8.20	3.60	8.67	3.60	9.13	3.60	9.37	3.60	9.98	3.60	10.38	3.60
	46.0	7.92	3.03	8.29	3.03	8.64	3.03	8.81	3.03	9.31	3.03	9.64	3.03
2.5+2.5+2.5+2.5+2.5	22.0	9.73	2.82	10.17	2.87	10.62	2.93	10.84	2.96	11.51	3.04	11.95	3.09
	25.0	9.46	2.92	9.90	2.97	10.35	3.03	10.57	3.06	11.24	3.14	11.68	3.19
	32.0	8.83	3.18	9.27	3.23	9.72	3.29	9.94	3.31	10.61	3.40	11.05	3.45
	35.0	8.56	3.30	9.00	3.35	9.45	3.41	9.67	3.43	10.34	3.52	10.78	3.57
	40.0	8.11	3.51	8.55	3.56	9.00	3.62	9.22	3.64	9.89	3.73	10.32	3.75
	43.0	7.84	3.60	8.27	3.60	8.70	3.60	8.91	3.60	9.53	3.60	9.93	3.60
	46.0	7.43	3.03	7.79	3.03	8.15	3.03	8.33	3.03	8.84	3.03	9.18	3.03
2.5+2.5+2.5+2.5+3.5	22.0	9.73	2.82	10.17	2.87	10.62	2.93	10.84	2.96	11.51	3.04	11.95	3.09
	25.0	9.46	2.92	9.90	2.97	10.35	3.03	10.57	3.06	11.24	3.14	11.68	3.19
	32.0	8.83	3.18	9.27	3.23	9.72	3.29	9.94	3.31	10.61	3.40	11.05	3.45
	35.0	8.56	3.30	9.00	3.35	9.45	3.41	9.67	3.43	10.34	3.52	10.78	3.57
	40.0	8.11	3.51	8.55	3.56	9.00	3.62	9.22	3.64	9.89	3.73	10.32	3.75
	43.0	7.84	3.60	8.27	3.60	8.70	3.60	8.91	3.60	9.53	3.60	9.93	3.60
	46.0	7.43	3.03	7.79	3.03	8.15	3.03	8.33	3.03	8.84	3.03	9.18	3.03
2.5+2.5+2.5+2.5+4.2	22.0	9.74	2.83	10.18	2.88	10.63	2.94	10.85	2.96	11.52	3.05	11.97	3.10
	25.0	9.47	2.93	9.91	2.98	10.36	3.04	10.58	3.07	11.25	3.15	11.70	3.20
	32.0	8.84	3.19	9.28	3.24	9.73	3.30	9.95	3.32	10.62	3.41	11.07	3.46
	35.0	8.57	3.31	9.01	3.36	9.46	3.42	9.68	3.44	10.35	3.53	10.79	3.58
	40.0	8.11	3.52	8.56	3.57	9.01	3.63	9.23	3.65	9.90	3.74	10.33	3.75
	43.0	7.84	3.60	8.28	3.60	8.71	3.60	8.92	3.60	9.54	3.60	9.94	3.60
	46.0	7.44	3.03	7.80	3.03	8.16	3.03	8.33	3.03	8.85	3.03	9.19	3.03
2.5+2.5+2.5+2.5+5.0	22.0	10.47	3.50	10.95	3.57	11.43	3.64	11.67	3.67	12.39	3.77	12.87	3.84
	25.0	10.18	3.63	10.66	3.69	11.14	3.76	11.38	3.80	12.10	3.90	12.58	3.97
	32.0	9.50	3.95	9.98	4.01	10.46	4.08	10.70	4.12	11.41	4.18	11.87	4.18
	35.0	9.21	4.02	9.69	4.02	10.17	4.02	10.40	4.02	11.08	4.02	11.52	4.02
	40.0	8.73	3.75	9.21	3.75	9.69	3.75	9.93	3.75	10.60	3.75	11.01	3.75
	43.0	8.44	3.60	8.92	3.60	9.39	3.60	9.63	3.60	10.35	3.60	10.74	3.60
	46.0	8.14	3.03	8.62	3.03	8.98	3.03	9.15	3.03	9.66	3.03	9.99	3.03
2.5+2.5+2.5+3.5+3.5	22.0	9.74	2.83	10.18	2.88	10.63	2.94	10.85	2.96	11.52	3.05	11.97	3.10
	25.0	9.47	2.93	9.91	2.98	10.36	3.04	10.58	3.07	11.25	3.15	11.70	3.20
	32.0	8.84	3.19	9.28	3.24	9.73	3.30	9.95	3.32	10.62	3.41	11.07	3.46
	35.0	8.57	3.31	9.01	3.36	9.46	3.42	9.68	3.44	10.35	3.53	10.79	3.58
	40.0	8.11	3.52	8.56	3.57	9.01	3.63	9.23	3.65	9.90	3.74	10.33	3.75
	43.0	7.84	3.60	8.28	3.60	8.71	3.60	8.92	3.60	9.54	3.60	9.94	3.60
	46.0	7.44	3.03	7.80	3.03	8.16	3.03	8.33	3.03	8.85	3.03	9.19	3.03

3D059290

NOTES

- Capacities are based on following conditions
Corresponding refrigerant piping length : 5.0m
Level difference : 0m
- The bold line [] is indicated the standard condition.
- The above is the value for connecting with the following indoor units.
2.0, 2.5, 3.5, 4.2, 5.0 kW class; wall mounted G series
6.0, 7.1 kW class; wall mounted F series

SYMBOLS

- TC : Total cooling capacity (kW)
PI : Power input (kW)

5 Capacity tables

5 - 2 Cooling capacity tables

5MK90E
Cooling [50Hz 230V]

Combination (Capacity)	Outdoor air temp. °CDB	Indoor air temp.: °CWB											
		14°C		16°C		18°C		19°C		22°C		24°C	
		TC kW	PI kW	TC kW	PI kW	TC kW	PI kW	TC kW	PI kW	TC kW	PI kW	TC kW	PI kW
7.1	22.0	6.01	1.60	7.98	2.18	7.97	2.37	8.14	2.40	8.64	2.46	8.98	2.51
	25.0	6.01	1.73	7.98	2.37	7.77	2.46	7.94	2.48	8.44	2.54	8.77	2.59
	32.0	6.01	2.12	6.96	2.62	7.80	2.66	7.46	2.69	7.96	2.75	8.30	2.80
	35.0	6.01	2.32	6.76	2.72	7.09	2.76	7.26	2.78	7.76	2.85	8.10	2.89
	40.0	6.01	2.76	6.42	2.89	6.75	2.93	6.92	2.95	7.42	3.02	7.76	3.06
	43.0	5.88	2.95	6.22	3.00	6.55	3.04	6.72	3.06	7.22	3.13	7.56	3.17
	46.0	5.68	3.03	6.01	3.03	6.33	3.03	6.48	3.03	6.95	3.03	7.25	3.03
2.0+2.0	22.0	5.19	1.46	5.43	1.49	5.67	1.52	5.78	1.53	6.14	1.58	6.38	1.61
	25.0	5.05	1.52	5.28	1.54	5.52	1.57	5.64	1.59	6.00	1.63	6.23	1.66
	32.0	4.71	1.65	4.95	1.68	5.19	1.71	5.30	1.72	5.66	1.76	5.90	1.79
	35.0	4.57	1.71	4.80	1.74	5.04	1.77	5.16	1.78	5.52	1.82	5.75	1.85
	40.0	4.33	1.82	4.56	1.85	4.80	1.88	4.92	1.89	5.28	1.93	5.51	1.96
	43.0	4.18	1.89	4.42	1.92	4.66	1.95	4.78	1.96	5.13	2.00	5.37	2.03
	46.0	4.04	1.96	4.27	1.99	4.51	2.02	4.63	2.03	4.99	2.08	5.23	2.10
2.0+2.5	22.0	5.60	1.46	5.86	1.49	6.12	1.52	6.24	1.53	6.63	1.58	6.89	1.61
	25.0	5.45	1.52	5.70	1.54	5.96	1.57	6.09	1.59	6.47	1.63	6.73	1.66
	32.0	5.08	1.65	5.34	1.68	5.60	1.71	5.73	1.72	6.11	1.76	6.37	1.79
	35.0	4.93	1.71	5.19	1.74	5.44	1.77	5.57	1.78	5.95	1.82	6.21	1.85
	40.0	4.67	1.82	4.93	1.85	5.18	1.88	5.31	1.89	5.70	1.93	5.95	1.96
	43.0	4.51	1.89	4.77	1.92	5.03	1.95	5.16	1.96	5.54	2.00	5.80	2.03
	46.0	4.36	1.96	4.61	1.99	4.87	2.02	5.00	2.03	5.38	2.08	5.64	2.10
2.0+3.5	22.0	6.22	1.70	6.50	1.73	6.79	1.77	6.93	1.78	7.36	1.83	7.64	1.87
	25.0	6.04	1.76	6.33	1.80	6.61	1.83	6.76	1.85	7.18	1.89	7.47	1.93
	32.0	5.64	1.92	5.93	1.95	6.21	1.98	6.35	2.00	6.78	2.05	7.06	2.08
	35.0	5.47	1.99	5.75	2.02	6.04	2.06	6.18	2.07	6.61	2.12	6.89	2.15
	40.0	5.18	2.12	5.47	2.15	5.75	2.18	5.89	2.20	6.32	2.25	6.60	2.28
	43.0	5.01	2.20	5.29	2.23	5.58	2.26	5.72	2.28	6.15	2.33	6.43	2.36
	46.0	4.84	2.28	5.12	2.31	5.40	2.35	5.55	2.36	5.97	2.41	6.26	2.45
2.0+4.2	22.0	6.64	1.92	7.10	2.04	7.41	2.08	7.57	2.10	8.03	2.16	8.34	2.20
	25.0	6.60	2.08	6.91	2.12	7.22	2.16	7.38	2.17	7.85	2.23	8.16	2.27
	32.0	6.16	2.26	6.47	2.30	6.78	2.34	6.94	2.36	7.41	2.42	7.72	2.46
	35.0	5.97	2.34	6.28	2.38	6.59	2.42	6.75	2.44	7.22	2.50	7.53	2.54
	40.0	5.66	2.49	5.97	2.53	6.28	2.57	6.44	2.59	6.90	2.65	7.21	2.69
	43.0	5.47	2.59	5.78	2.63	6.09	2.67	6.25	2.69	6.71	2.75	7.02	2.79
	46.0	5.28	2.69	5.59	2.73	5.90	2.77	6.06	2.79	6.53	2.84	6.84	2.88
2.0+5.0	22.0	7.34	2.25	7.69	2.30	8.03	2.34	8.19	2.36	8.70	2.43	9.04	2.47
	25.0	7.15	2.33	7.49	2.38	7.82	2.42	7.99	2.44	8.50	2.51	8.83	2.55
	32.0	6.67	2.54	7.01	2.58	7.35	2.63	7.51	2.65	8.02	2.71	8.36	2.76
	35.0	6.47	2.63	6.80	2.68	7.14	2.72	7.31	2.74	7.82	2.81	8.15	2.85
	40.0	6.13	2.80	6.46	2.85	6.80	2.89	6.97	2.91	7.47	2.98	7.81	3.02
	43.0	5.92	2.91	6.26	2.95	6.60	3.00	6.77	3.02	7.27	3.08	7.61	3.13
	46.0	5.72	3.02	6.05	3.03	6.37	3.03	6.53	3.03	7.00	3.03	7.31	3.03

3D059272

NOTES

- Capacities are based on following conditions
Corresponding refrigerant piping length : 5.0m
Level difference : 0m
- The bold line **□** is indicated the standard condition.
- The above is the value for connecting with the following indoor units.
2.0, 2.5, 3.5, 4.2, 5.0 kW class; wall mounted G series
6.0, 7.1 kW class; wall mounted F series

SYMBOLS

- TC : Total cooling capacity (kW)
PI : Power input (kW)

5 Capacity tables

5 - 2 Cooling capacity tables

5MKS90E

Cooling [50Hz 230V]

Combination (Capacity)	Outdoor air temp. °CDB	Indoor air temp.: °CWB											
		14°C		16°C		18°C		19°C		22°C		24°C	
		TC kW	PI kW	TC kW	PI kW	TC kW	PI kW	TC kW	PI kW	TC kW	PI kW	TC kW	PI kW
2.5+6.0	22.0	8.08	2.44	8.45	2.49	8.82	2.54	9.00	2.56	9.56	2.63	9.93	2.68
	25.0	7.85	2.53	8.22	2.58	8.59	2.62	8.78	2.65	9.33	2.72	9.70	2.77
	32.0	7.33	2.75	7.70	2.80	8.07	2.85	8.25	2.87	8.81	2.94	9.18	2.99
	35.0	7.11	2.85	7.48	2.90	7.85	2.95	8.03	2.97	8.58	3.04	8.95	3.09
	40.0	6.73	3.04	7.10	3.08	7.47	3.13	7.66	3.16	8.21	3.23	8.58	3.27
	43.0	6.51	3.15	6.88	3.20	7.25	3.25	7.43	3.27	7.99	3.34	8.36	3.39
	46.0	6.26	3.03	6.60	3.03	6.93	3.03	7.10	3.03	7.58	3.03	7.89	3.03
2.5+7.1	22.0	8.27	2.55	8.65	2.60	9.03	2.65	9.22	2.67	9.78	2.75	10.16	2.80
	25.0	8.04	2.64	8.42	2.69	8.80	2.74	8.99	2.76	9.55	2.84	9.93	2.89
	32.0	7.50	2.87	7.88	2.92	8.26	2.97	8.45	3.00	9.02	3.07	9.40	3.12
	35.0	7.27	2.98	7.65	3.03	8.03	3.08	8.22	3.10	8.79	3.18	9.17	3.23
	40.0	6.89	3.17	7.27	3.22	7.65	3.27	7.84	3.29	8.41	3.37	8.78	3.42
	43.0	6.66	3.29	7.04	3.34	7.42	3.39	7.61	3.41	8.18	3.49	8.55	3.54
	46.0	6.41	3.03	6.75	3.03	7.08	3.03	7.24	3.03	7.72	3.03	8.04	3.03
3.5+3.5	22.0	6.59	1.87	7.65	2.33	7.98	2.37	8.15	2.40	8.65	2.46	8.99	2.51
	25.0	6.59	2.04	7.44	2.41	7.78	2.46	7.95	2.48	8.45	2.54	8.78	2.59
	32.0	6.59	2.54	6.97	2.62	7.31	2.66	7.47	2.69	7.98	2.75	8.31	2.80
	35.0	6.43	2.67	6.77	2.72	7.10	2.76	7.27	2.78	7.77	2.85	8.11	2.89
	40.0	6.09	2.84	6.43	2.89	6.76	2.93	6.93	2.95	7.43	3.02	7.77	3.06
	43.0	5.89	2.95	6.23	3.00	6.56	3.04	6.73	3.06	7.23	3.13	7.57	3.17
	46.0	5.69	3.03	6.01	3.03	6.33	3.03	6.49	3.03	6.95	3.03	7.26	3.03
3.5+4.2	22.0	6.59	1.87	7.83	2.43	8.17	2.48	8.34	2.50	8.85	2.57	9.20	2.62
	25.0	6.59	2.04	7.62	2.52	7.96	2.56	8.13	2.58	8.65	2.65	8.99	2.70
	32.0	6.59	2.54	7.13	2.73	7.48	2.78	7.65	2.80	8.16	2.87	8.50	2.92
	35.0	6.58	2.79	6.93	2.83	7.27	2.88	7.44	2.90	7.95	2.97	8.30	3.02
	40.0	6.24	2.97	6.58	3.01	6.92	3.06	7.09	3.08	7.61	3.15	7.95	3.20
	43.0	6.03	3.08	6.37	3.12	6.71	3.17	6.89	3.19	7.40	3.26	7.74	3.31
	46.0	5.82	3.03	6.15	3.03	6.46	3.03	6.62	3.03	7.08	3.03	7.38	3.03
3.5+5.0	22.0	7.29	2.21	8.01	2.49	8.36	2.54	8.53	2.56	9.06	2.63	9.41	2.68
	25.0	7.29	2.42	7.79	2.58	8.14	2.62	8.32	2.65	8.84	2.72	9.20	2.77
	32.0	6.95	2.75	7.30	2.80	7.65	2.85	7.82	2.87	8.35	2.94	8.70	2.99
	35.0	6.73	2.85	7.08	2.90	7.43	2.95	7.61	2.97	8.14	3.04	8.49	3.09
	40.0	6.38	3.04	6.73	3.08	7.08	3.13	7.26	3.16	7.78	3.23	8.13	3.27
	43.0	6.17	3.15	6.52	3.20	6.87	3.25	7.04	3.27	7.57	3.34	7.92	3.39
	46.0	5.95	3.03	6.28	3.03	6.60	3.03	6.76	3.03	7.22	3.03	7.53	3.03
3.5+6.0	22.0	8.26	2.55	8.64	2.60	9.01	2.65	9.20	2.67	9.77	2.75	10.15	2.80
	25.0	8.03	2.64	8.41	2.69	8.79	2.74	8.97	2.76	9.54	2.84	9.92	2.89
	32.0	7.49	2.87	7.87	2.92	8.25	2.97	8.44	3.00	9.01	3.07	9.38	3.12
	35.0	7.26	2.98	7.64	3.03	8.02	3.08	8.21	3.10	8.78	3.18	9.16	3.23
	40.0	6.88	3.17	7.26	3.22	7.64	3.27	7.83	3.29	8.40	3.37	8.77	3.42
	43.0	6.65	3.29	7.03	3.34	7.41	3.39	7.60	3.41	8.17	3.49	8.54	3.54
	46.0	6.40	3.03	6.74	3.03	7.07	3.03	7.23	3.03	7.72	3.03	8.03	3.03

3D059273

NOTES

- Capacities are based on following conditions
Corresponding refrigerant piping length : 5.0m
Level difference : 0m
- The bold line [] is indicated the standard condition.
- The above is the value for connecting with the following indoor units.
2.0, 2.5, 3.5, 4.2, 5.0 kW class; wall mounted G series
6.0, 7.1 kW class; wall mounted F series

SYMBOLS

- TC : Total cooling capacity (kW)
PI : Power input (kW)

5 Capacity tables

5 - 2 Cooling capacity tables

5MK90E													
Cooling [50Hz 230V]													
Combination (Capacity)	Outdoor air temp. °CDB	Indoor air temp.: °CWB											
		14°C		16°C		18°C		19°C		22°C		24°C	
		TC kW	PI kW	TC kW	PI kW	TC kW	PI kW	TC kW	PI kW	TC kW	PI kW	TC kW	PI kW
5.0+6.0	22.0	8.57	2.66	8.86	2.71	9.36	2.77	9.55	2.79	10.14	2.87	10.53	2.92
	25.0	8.33	2.76	8.72	2.81	9.12	2.86	9.31	2.89	9.90	2.97	10.29	3.02
	32.0	7.78	3.00	8.17	3.05	8.56	3.10	8.76	3.13	9.35	3.21	9.74	3.26
	35.0	7.54	3.11	7.93	3.17	8.32	3.22	8.52	3.24	9.11	3.32	9.50	3.37
	40.0	7.14	3.31	7.53	3.36	7.93	3.42	8.12	3.44	8.71	3.52	9.10	3.57
	43.0	6.90	3.44	7.30	3.49	7.69	3.54	7.89	3.57	8.47	3.60	8.84	3.60
	46.0	6.64	3.03	6.88	3.03	7.32	3.03	7.48	3.03	7.96	3.03	8.28	3.03
5.0+7.1	22.0	8.95	3.01	9.36	3.07	9.77	3.13	9.98	3.15	10.59	3.24	11.00	3.30
	25.0	8.70	3.12	9.11	3.17	9.52	3.23	9.73	3.26	10.34	3.35	10.75	3.41
	32.0	8.12	3.39	8.53	3.45	8.94	3.51	9.15	3.54	9.76	3.62	10.17	3.68
	35.0	7.87	3.52	8.28	3.58	8.69	3.63	8.90	3.66	9.52	3.75	9.93	3.81
	40.0	7.46	3.74	7.87	3.75	8.28	3.75	8.49	3.75	9.09	3.75	9.48	3.75
	43.0	7.21	3.60	7.62	3.60	8.03	3.60	8.24	3.60	8.85	3.60	9.23	3.60
	46.0	6.96	3.03	7.37	3.03	7.72	3.03	7.88	3.03	8.36	3.03	8.67	3.03
6.0+6.0	22.0	9.05	2.74	9.47	2.79	9.88	2.84	10.09	2.87	10.71	2.95	11.13	3.00
	25.0	8.80	2.83	9.22	2.89	9.63	2.94	9.84	2.97	10.46	3.05	10.87	3.10
	32.0	8.21	3.08	8.63	3.14	9.04	3.19	9.25	3.22	9.87	3.30	10.29	3.35
	35.0	7.96	3.20	8.38	3.25	8.79	3.31	9.00	3.33	9.62	3.41	10.04	3.47
	40.0	7.54	3.40	7.96	3.46	8.37	3.51	8.58	3.54	9.20	3.62	9.62	3.67
	43.0	7.29	3.53	7.71	3.59	8.12	3.60	8.32	3.60	8.92	3.60	9.30	3.60
	46.0	6.98	3.03	7.33	3.03	7.67	3.03	7.84	3.03	8.34	3.03	8.66	3.03
6.0+7.1	22.0	9.07	2.74	9.49	2.79	9.90	2.84	10.11	2.87	10.74	2.95	11.15	3.00
	25.0	8.82	2.83	9.24	2.89	9.65	2.94	9.86	2.97	10.48	3.05	10.90	3.10
	32.0	8.23	3.08	8.65	3.14	9.06	3.19	9.27	3.22	9.90	3.30	10.31	3.35
	35.0	7.98	3.20	8.40	3.25	8.81	3.31	9.02	3.33	9.64	3.41	10.06	3.47
	40.0	7.56	3.40	7.98	3.46	8.39	3.51	8.60	3.54	9.22	3.62	9.64	3.67
	43.0	7.31	3.53	7.72	3.59	8.14	3.60	8.34	3.60	8.93	3.60	9.32	3.60
	46.0	6.99	3.03	7.34	3.03	7.69	3.03	7.86	3.03	8.35	3.03	8.68	3.03
7.1+7.1	22.0	9.09	2.74	9.51	2.80	9.93	2.85	10.13	2.88	10.76	2.96	11.18	3.01
	25.0	8.84	2.84	9.26	2.90	9.67	2.95	9.88	2.98	10.51	3.06	10.92	3.11
	32.0	8.25	3.09	8.67	3.15	9.08	3.20	9.29	3.23	9.92	3.31	10.33	3.36
	35.0	8.00	3.21	8.42	3.26	8.83	3.32	9.04	3.34	9.66	3.42	10.08	3.48
	40.0	7.58	3.42	7.99	3.47	8.41	3.52	8.62	3.55	9.24	3.63	9.66	3.68
	43.0	7.33	3.55	7.74	3.60	8.15	3.60	8.36	3.60	8.95	3.60	9.34	3.60
	46.0	7.00	3.03	7.36	3.03	7.70	3.03	7.87	3.03	8.37	3.03	8.69	3.03
2.0+2.0+2.0	22.0	6.67	1.68	6.97	1.72	7.28	1.75	7.43	1.77	7.83	1.82	8.20	1.85
	25.0	6.48	1.75	6.79	1.78	7.09	1.81	7.25	1.83	7.71	1.88	8.01	1.91
	32.0	6.05	1.90	6.36	1.93	6.66	1.96	6.82	1.98	7.27	2.03	7.58	2.06
	35.0	5.87	1.97	6.17	2.00	6.48	2.04	6.63	2.05	7.03	2.10	7.39	2.13
	40.0	5.56	2.10	5.86	2.13	6.17	2.16	6.32	2.18	6.78	2.23	7.08	2.26
	43.0	5.37	2.18	5.68	2.21	5.98	2.24	6.14	2.26	6.59	2.31	6.90	2.34
	46.0	5.19	2.26	5.49	2.29	5.80	2.32	5.95	2.34	6.41	2.39	6.71	2.42

3D059274

NOTES

- Capacities are based on following conditions
Corresponding refrigerant piping length : 5.0m
Level difference : 0m
- The bold line **□** is indicated the standard condition.
- The above is the value for connecting with the following indoor units.
2.0, 2.5, 3.5, 4.2, 5.0 kW class; wall mounted G series
6.0, 7.1 kW class; wall mounted F series

SYMBOLS

- TC : Total cooling capacity (kW)
PI : Power input (kW)

5 Capacity tables

5 - 2 Cooling capacity tables

5MK590E

Cooling [50Hz 230V]

Combination (Capacity)	Outdoor air temp. °CDB	Indoor air temp.: °CWB											
		14°C		16°C		18°C		19°C		22°C		24°C	
		TC kW	PI kW	TC kW	PI kW	TC kW	PI kW	TC kW	PI kW	TC kW	PI kW	TC kW	PI kW
2.0+2.5+2.5	22.0	7.35	2.05	7.69	2.09	8.03	2.13	8.19	2.15	8.70	2.21	9.04	2.25
	25.0	7.15	2.12	7.49	2.18	7.82	2.20	7.99	2.22	8.50	2.28	8.83	2.32
	32.0	6.67	2.31	7.01	2.35	7.35	2.39	7.51	2.41	8.02	2.47	8.36	2.51
	35.0	6.47	2.39	6.80	2.43	7.14	2.47	7.31	2.49	7.82	2.55	8.15	2.59
	40.0	6.13	2.55	6.46	2.59	6.80	2.63	6.97	2.65	7.47	2.71	7.81	2.75
	43.0	5.92	2.64	6.26	2.68	6.60	2.72	6.77	2.74	7.27	2.80	7.61	2.84
	46.0	5.72	2.74	6.06	2.78	6.39	2.82	6.56	2.84	7.07	2.90	7.40	2.94
2.0+2.5+3.5	22.0	8.01	2.39	8.37	2.44	8.74	2.48	8.92	2.51	9.47	2.58	9.84	2.62
	25.0	7.78	2.48	8.15	2.52	8.52	2.57	8.70	2.59	9.25	2.66	9.62	2.71
	32.0	7.27	2.70	7.63	2.74	8.00	2.79	8.18	2.81	8.73	2.88	9.10	2.93
	35.0	7.04	2.80	7.41	2.84	7.78	2.89	7.96	2.91	8.51	2.98	8.88	3.03
	40.0	6.67	2.98	7.04	3.02	7.41	3.07	7.59	3.09	8.14	3.16	8.51	3.21
	43.0	6.45	3.09	6.82	3.14	7.18	3.18	7.37	3.21	7.92	3.27	8.28	3.32
	46.0	6.21	3.03	6.55	3.03	6.88	3.03	7.05	3.03	7.53	3.03	7.85	3.03
2.0+2.5+4.2	22.0	8.28	2.56	8.66	2.61	9.04	2.66	9.23	2.68	9.80	2.75	10.17	2.80
	25.0	8.05	2.65	8.43	2.70	8.81	2.75	9.00	2.77	9.57	2.85	9.94	2.90
	32.0	7.51	2.88	7.89	2.93	8.27	2.98	8.46	3.01	9.03	3.08	9.41	3.13
	35.0	7.28	2.99	7.66	3.04	8.04	3.09	8.23	3.11	8.80	3.19	9.18	3.24
	40.0	6.90	3.18	7.28	3.23	7.66	3.28	7.85	3.30	8.42	3.38	8.79	3.43
	43.0	6.67	3.30	7.05	3.35	7.43	3.40	7.62	3.43	8.19	3.50	8.56	3.55
	46.0	6.41	3.03	6.75	3.03	7.09	3.03	7.25	3.03	7.73	3.03	8.04	3.03
2.0+2.5+5.0	22.0	8.45	2.57	8.84	2.62	9.22	2.67	9.42	2.70	10.00	2.77	10.38	2.82
	25.0	8.21	2.66	8.60	2.71	8.99	2.76	9.18	2.79	9.76	2.87	10.15	2.92
	32.0	7.67	2.90	8.05	2.95	8.44	3.00	8.63	3.02	9.22	3.10	9.60	3.15
	35.0	7.43	3.01	7.82	3.06	8.21	3.11	8.40	3.13	8.98	3.21	9.37	3.26
	40.0	7.04	3.20	7.43	3.25	7.82	3.30	8.01	3.33	8.59	3.40	8.98	3.45
	43.0	6.81	3.32	7.19	3.37	7.58	3.42	7.77	3.45	8.35	3.52	8.74	3.57
	46.0	6.53	3.03	6.88	3.03	7.22	3.03	7.38	3.03	7.87	3.03	8.18	3.03
2.0+2.5+6.0	22.0	8.89	2.62	9.30	2.67	9.71	2.72	9.91	2.75	10.52	2.83	10.93	2.88
	25.0	8.65	2.72	9.05	2.77	9.46	2.82	9.66	2.84	10.27	2.92	10.68	2.97
	32.0	8.07	2.95	8.48	3.01	8.88	3.06	9.09	3.08	9.70	3.16	10.11	3.21
	35.0	7.82	3.07	8.23	3.12	8.64	3.17	8.84	3.19	9.45	3.27	9.86	3.32
	40.0	7.41	3.26	7.82	3.31	8.22	3.36	8.43	3.39	9.04	3.47	9.45	3.52
	43.0	7.16	3.39	7.57	3.44	7.98	3.49	8.18	3.51	8.79	3.59	9.18	3.60
	46.0	6.84	3.03	7.20	3.03	7.54	3.03	7.71	3.03	8.21	3.03	8.54	3.03
2.0+2.5+7.1	22.0	9.08	2.74	9.50	2.80	9.92	2.85	10.12	2.88	10.75	2.96	11.16	3.01
	25.0	8.83	2.84	9.25	2.90	9.66	2.95	9.87	2.98	10.49	3.06	10.91	3.11
	32.0	8.24	3.09	8.66	3.15	9.07	3.20	9.28	3.23	9.91	3.31	10.32	3.36
	35.0	7.99	3.21	8.41	3.26	8.82	3.32	9.03	3.34	9.65	3.42	10.07	3.48
	40.0	7.57	3.42	7.99	3.47	8.40	3.52	8.61	3.55	9.23	3.63	9.65	3.68
	43.0	7.32	3.55	7.73	3.60	8.14	3.60	8.35	3.60	8.94	3.60	9.33	3.60
	46.0	7.00	3.03	7.35	3.03	7.69	3.03	7.86	3.03	8.36	3.03	8.69	3.03

3D059275

NOTES

- Capacities are based on following conditions
 Corresponding refrigerant piping length : 5.0m
 Level difference : 0m
- The bold line [] is indicated the standard condition.
- The above is the value for connecting with the following indoor units.
 2.0, 2.5, 3.5, 4.2, 5.0 kW class; wall mounted G series
 6.0, 7.1 kW class; wall mounted F series

SYMBOLS

- TC : Total cooling capacity (kW)
 PI : Power input (kW)

5 Capacity tables

5 - 2 Cooling capacity tables

5MK590E													
Cooling [50Hz 230V]													
Combination (Capacity)	Outdoor air temp. °CDB	Indoor air temp.: °CWB											
		14°C		16°C		18°C		19°C		22°C		24°C	
		TC kW	PI kW	TC kW	PI kW	TC kW	PI kW	TC kW	PI kW	TC kW	PI kW	TC kW	PI kW
2.0+4.2+5.0	22.0	8.63	2.69	9.03	2.74	9.42	2.79	9.62	2.82	10.21	2.80	10.61	2.95
	25.0	8.39	2.78	8.79	2.84	9.18	2.89	9.38	2.91	9.97	2.89	10.37	3.05
	32.0	7.83	3.03	8.23	3.08	8.62	3.13	8.82	3.16	9.41	3.24	9.81	3.29
	35.0	7.59	3.14	7.99	3.19	8.38	3.25	8.58	3.27	9.17	3.35	9.57	3.40
	40.0	7.19	3.34	7.59	3.40	7.98	3.45	8.18	3.47	8.77	3.55	9.17	3.61
	43.0	6.95	3.47	7.35	3.52	7.74	3.58	7.94	3.60	8.52	3.60	8.90	3.60
	46.0	6.69	3.03	7.03	3.03	7.36	3.03	7.53	3.03	8.01	3.03	8.33	3.03
2.0+4.2+6.0	22.0	9.08	2.74	9.50	2.79	9.92	2.84	10.12	2.87	10.75	2.95	11.16	3.00
	25.0	8.83	2.83	9.25	2.89	9.66	2.94	9.87	2.97	10.49	3.05	10.91	3.10
	32.0	8.24	3.08	8.66	3.14	9.07	3.19	9.28	3.22	9.91	3.30	10.32	3.35
	35.0	7.99	3.20	8.41	3.25	8.82	3.31	9.03	3.33	9.65	3.41	10.07	3.47
	40.0	7.57	3.40	7.99	3.46	8.40	3.51	8.61	3.54	9.23	3.62	9.65	3.67
	43.0	7.32	3.53	7.73	3.59	8.15	3.60	8.35	3.60	8.94	3.60	9.33	3.60
	46.0	7.00	3.03	7.35	3.03	7.69	3.03	7.86	3.03	8.36	3.03	8.69	3.03
2.0+4.2+7.1	22.0	9.10	2.79	9.52	2.84	9.94	2.89	10.15	2.92	10.77	3.00	11.19	3.06
	25.0	8.85	2.89	9.27	2.94	9.68	2.99	9.89	3.02	10.52	3.10	10.94	3.16
	32.0	8.26	3.14	8.68	3.19	9.09	3.25	9.30	3.28	9.93	3.36	10.35	3.41
	35.0	8.01	3.26	8.42	3.31	8.84	3.37	9.05	3.39	9.68	3.47	10.09	3.53
	40.0	7.59	3.47	8.00	3.52	8.42	3.57	8.63	3.60	9.25	3.68	9.67	3.74
	43.0	7.33	3.60	7.75	3.60	8.16	3.60	8.36	3.60	8.96	3.60	9.34	3.60
	46.0	7.02	3.03	7.37	3.03	7.72	3.03	7.89	3.03	8.38	3.03	8.71	3.03
2.0+5.0+5.0	22.0	8.92	2.79	9.33	2.85	9.74	2.90	9.94	2.93	10.56	3.01	10.97	3.07
	25.0	8.67	2.89	9.08	2.95	9.49	3.00	9.70	3.03	10.31	3.11	10.72	3.17
	32.0	8.10	3.15	8.50	3.20	8.91	3.26	9.12	3.29	9.73	3.37	10.14	3.42
	35.0	7.85	3.27	8.26	3.32	8.67	3.38	8.87	3.40	9.48	3.49	9.89	3.54
	40.0	7.44	3.48	7.84	3.53	8.25	3.59	8.46	3.61	9.07	3.69	9.48	3.75
	43.0	7.19	3.60	7.60	3.60	8.00	3.60	8.20	3.60	8.79	3.60	9.17	3.60
	46.0	6.91	3.03	7.26	3.03	7.60	3.03	7.76	3.03	8.25	3.03	8.57	3.03
2.0+5.0+6.0	22.0	9.25	2.76	9.68	2.82	10.10	2.87	10.31	2.90	10.95	2.98	11.37	3.03
	25.0	9.00	2.86	9.42	2.91	9.84	2.97	10.06	2.99	10.69	3.08	11.12	3.13
	32.0	8.40	3.11	8.82	3.17	9.25	3.22	9.46	3.25	10.09	3.33	10.52	3.38
	35.0	8.14	3.23	8.56	3.28	8.99	3.34	9.20	3.36	9.84	3.44	10.26	3.50
	40.0	7.71	3.44	8.14	3.49	8.56	3.54	8.77	3.57	9.41	3.65	9.83	3.70
	43.0	7.45	3.57	7.88	3.60	8.29	3.60	8.50	3.60	9.10	3.60	9.49	3.60
	46.0	7.11	3.03	7.47	3.03	7.82	3.03	7.99	3.03	8.49	3.03	8.82	3.03
2.0+5.0+7.1	22.0	9.27	2.76	9.70	2.82	10.12	2.87	10.34	2.90	10.97	2.98	11.40	3.03
	25.0	9.02	2.86	9.44	2.91	9.87	2.97	10.08	2.99	10.72	3.08	11.14	3.13
	32.0	8.42	3.11	8.84	3.17	9.27	3.22	9.48	3.25	10.11	3.33	10.54	3.38
	35.0	8.16	3.23	8.58	3.28	9.01	3.34	9.22	3.36	9.86	3.44	10.28	3.50
	40.0	7.73	3.44	8.15	3.49	8.58	3.54	8.79	3.57	9.43	3.65	9.85	3.70
	43.0	7.47	3.57	7.90	3.60	8.31	3.60	8.52	3.60	9.12	3.60	9.51	3.60
	46.0	7.13	3.03	7.48	3.03	7.83	3.03	8.00	3.03	8.51	3.03	8.84	3.03

3D059276

NOTES

- Capacities are based on following conditions
Corresponding refrigerant piping length : 5.0m
Level difference : 0m
- The bold line **□** is indicated the standard condition.
- The above is the value for connecting with the following indoor units.
2.0, 2.5, 3.5, 4.2, 5.0 kW class; wall mounted G series
6.0, 7.1 kW class; wall mounted F series

SYMBOLS

- TC : Total cooling capacity (kW)
PI : Power input (kW)

5 Capacity tables

5 - 2 Cooling capacity tables

5MK590E

Cooling [50Hz 230V]

Combination (Capacity)	Outdoor air temp. °CDB	Indoor air temp.: °CWB											
		14°C		16°C		18°C		19°C		22°C		24°C	
		TC kW	PI kW	TC kW	PI kW	TC kW	PI kW	TC kW	PI kW	TC kW	PI kW	TC kW	PI kW
2.5+2.5+6.0	22.0	8.89	2.82	8.30	2.67	9.71	2.72	9.91	2.75	10.52	2.88	10.98	2.88
	25.0	8.65	2.72	9.05	2.77	9.46	2.82	9.66	2.84	10.27	2.92	10.68	2.97
	32.0	8.07	2.95	8.48	3.01	8.88	3.06	9.09	3.08	9.70	3.16	10.11	3.21
	35.0	7.82	3.07	8.23	3.12	8.64	3.17	8.84	3.19	9.45	3.27	9.86	3.32
	40.0	7.41	3.26	7.82	3.31	8.22	3.36	8.43	3.39	9.04	3.47	9.45	3.52
	43.0	7.16	3.39	7.57	3.44	7.98	3.49	8.18	3.51	8.79	3.59	9.18	3.60
	46.0	6.84	3.03	7.20	3.03	7.54	3.03	7.71	3.03	8.21	3.03	8.54	3.03
2.5+2.5+7.1	22.0	9.08	2.74	9.50	2.80	9.92	2.85	10.12	2.88	10.75	2.96	11.16	3.01
	25.0	8.83	2.84	9.25	2.90	9.66	2.95	9.87	2.98	10.49	3.06	10.91	3.11
	32.0	8.24	3.09	8.66	3.15	9.07	3.20	9.28	3.23	9.91	3.31	10.32	3.36
	35.0	7.99	3.21	8.41	3.26	8.82	3.32	9.03	3.34	9.65	3.42	10.07	3.48
	40.0	7.57	3.42	7.99	3.47	8.40	3.52	8.61	3.55	9.23	3.63	9.65	3.68
	43.0	7.32	3.55	7.73	3.60	8.14	3.60	8.35	3.60	8.94	3.60	9.33	3.60
	46.0	7.00	3.03	7.35	3.03	7.69	3.03	7.86	3.03	8.36	3.03	8.69	3.03
2.5+3.5+9.5	22.0	8.28	2.56	8.66	2.61	9.04	2.66	9.23	2.68	9.80	2.75	10.17	2.80
	25.0	8.05	2.65	8.43	2.70	8.81	2.75	9.00	2.77	9.57	2.85	9.94	2.90
	32.0	7.51	2.88	7.89	2.93	8.27	2.98	8.46	3.01	9.03	3.08	9.41	3.13
	35.0	7.28	2.99	7.66	3.04	8.04	3.09	8.23	3.11	8.80	3.19	9.18	3.24
	40.0	6.90	3.18	7.28	3.23	7.66	3.28	7.85	3.30	8.42	3.38	8.79	3.43
	43.0	6.67	3.30	7.05	3.35	7.43	3.40	7.62	3.43	8.19	3.50	8.56	3.55
	46.0	6.41	3.03	6.75	3.03	7.09	3.03	7.25	3.03	7.73	3.03	8.04	3.03
2.5+3.5+4.2	22.0	8.29	2.56	8.67	2.61	9.05	2.66	9.24	2.68	9.81	2.75	10.18	2.80
	25.0	8.06	2.65	8.44	2.70	8.82	2.75	9.01	2.77	9.58	2.85	9.96	2.90
	32.0	7.52	2.88	7.90	2.93	8.28	2.98	8.47	3.01	9.04	3.08	9.42	3.13
	35.0	7.29	2.99	7.67	3.04	8.05	3.09	8.24	3.11	8.81	3.19	9.19	3.24
	40.0	6.91	3.18	7.29	3.23	7.67	3.28	7.86	3.30	8.43	3.38	8.81	3.43
	43.0	6.68	3.30	7.06	3.35	7.44	3.40	7.63	3.43	8.20	3.50	8.58	3.55
	46.0	6.42	3.03	6.76	3.03	7.09	3.03	7.26	3.03	7.74	3.03	8.05	3.03
2.5+3.5+5.0	22.0	8.55	2.65	8.94	2.70	9.33	2.75	9.53	2.78	10.12	2.85	10.51	2.90
	25.0	8.31	2.74	8.70	2.79	9.10	2.84	9.29	2.87	9.88	2.95	10.27	3.00
	32.0	7.76	2.98	8.15	3.03	8.54	3.09	8.74	3.11	9.32	3.19	9.72	3.24
	35.0	7.52	3.09	7.91	3.15	8.30	3.20	8.50	3.22	9.09	3.30	9.48	3.35
	40.0	7.13	3.29	7.52	3.34	7.91	3.40	8.10	3.42	8.69	3.50	9.08	3.55
	43.0	6.89	3.42	7.29	3.47	7.67	3.52	7.87	3.55	8.45	3.60	8.83	3.60
	46.0	6.62	3.03	6.96	3.03	7.30	3.03	7.46	3.03	7.95	3.03	8.26	3.03
2.5+3.5+6.0	22.0	9.07	2.74	9.49	2.79	9.90	2.84	10.11	2.87	10.74	2.95	11.15	3.00
	25.0	8.82	2.83	9.24	2.89	9.65	2.94	9.86	2.97	10.48	3.05	10.90	3.10
	32.0	8.23	3.08	8.65	3.14	9.06	3.19	9.27	3.22	9.90	3.30	10.31	3.35
	35.0	7.98	3.20	8.40	3.25	8.81	3.31	9.02	3.33	9.64	3.41	10.06	3.47
	40.0	7.56	3.40	7.98	3.46	8.39	3.51	8.60	3.54	9.22	3.62	9.64	3.67
	43.0	7.31	3.53	7.72	3.59	8.14	3.60	8.34	3.60	8.93	3.60	9.32	3.60
	46.0	6.99	3.03	7.34	3.03	7.69	3.03	7.86	3.03	8.35	3.03	8.68	3.03

3D059277

NOTES

- Capacities are based on following conditions
Corresponding refrigerant piping length : 5.0m
Level difference : 0m
- The bold line [] is indicated the standard condition.
- The above is the value for connecting with the following indoor units.
2.0, 2.5, 3.5, 4.2, 5.0 kW class; wall mounted G series
6.0, 7.1 kW class; wall mounted F series

SYMBOLS

- TC : Total cooling capacity (kW)
PI : Power input (kW)

5 Capacity tables

5 - 2 Cooling capacity tables

5MK590E													
Cooling [50Hz 230V]													
Combination (Capacity)	Outdoor air temp. °CDB	Indoor air temp.: °CWB											
		14°C		16°C		18°C		19°C		22°C		24°C	
		TC kW	PI kW	TC kW	PI kW	TC kW	PI kW	TC kW	PI kW	TC kW	PI kW	TC kW	PI kW
2.5+5.0+6.0	22.0	9.25	2.76	9.68	2.82	10.10	2.87	10.31	2.90	10.95	2.88	11.37	3.03
	25.0	9.00	2.86	9.42	2.91	9.84	2.97	10.06	2.99	10.69	3.08	11.12	3.13
	32.0	8.40	3.11	8.82	3.17	9.25	3.22	9.46	3.25	10.09	3.33	10.52	3.38
	35.0	8.14	3.23	8.56	3.28	8.99	3.34	9.20	3.36	9.84	3.44	10.26	3.50
	40.0	7.71	3.44	8.14	3.49	8.56	3.54	8.77	3.57	9.41	3.65	9.83	3.70
	43.0	7.45	3.57	7.88	3.60	8.29	3.60	8.50	3.60	9.10	3.60	9.49	3.60
	46.0	7.11	3.03	7.47	3.03	7.82	3.03	7.99	3.03	8.43	3.03	8.82	3.03
2.5+5.0+7.1	22.0	9.27	2.76	9.70	2.82	10.12	2.87	10.34	2.90	10.97	2.88	11.40	3.03
	25.0	9.02	2.86	9.44	2.91	9.87	2.97	10.08	2.99	10.72	3.08	11.14	3.13
	32.0	8.42	3.11	8.84	3.17	9.27	3.22	9.48	3.25	10.11	3.33	10.54	3.38
	35.0	8.16	3.23	8.58	3.28	9.01	3.34	9.22	3.36	9.86	3.44	10.28	3.50
	40.0	7.73	3.44	8.15	3.49	8.58	3.54	8.79	3.57	9.43	3.65	9.85	3.70
	43.0	7.47	3.57	7.90	3.60	8.31	3.60	8.52	3.60	9.12	3.60	9.51	3.60
	46.0	7.13	3.03	7.48	3.03	7.83	3.03	8.00	3.03	8.51	3.03	8.84	3.03
2.5+6.0+6.0	22.0	9.70	2.82	10.14	2.87	10.58	2.93	10.81	2.96	11.47	3.04	11.92	3.09
	25.0	9.43	2.92	9.87	2.97	10.32	3.03	10.54	3.06	11.20	3.14	11.65	3.19
	32.0	8.80	3.18	9.24	3.23	9.69	3.29	9.91	3.31	10.58	3.40	11.02	3.45
	35.0	8.53	3.30	8.97	3.35	9.42	3.41	9.64	3.43	10.31	3.52	10.75	3.57
	40.0	8.08	3.51	8.52	3.56	8.97	3.62	9.19	3.64	9.86	3.73	10.29	3.75
	43.0	7.81	3.60	8.25	3.60	8.67	3.60	8.88	3.60	9.50	3.60	9.90	3.60
	46.0	7.41	3.03	7.77	3.03	8.13	3.03	8.31	3.03	8.82	3.03	9.16	3.03
2.5+6.0+7.1	22.0	10.16	3.26	10.62	3.33	11.09	3.39	11.32	3.42	12.02	3.52	12.49	3.58
	25.0	9.88	3.38	10.34	3.44	10.81	3.51	11.04	3.54	11.74	3.63	12.20	3.70
	32.0	9.22	3.68	9.68	3.74	10.15	3.80	10.38	3.84	11.08	3.93	11.55	4.00
	35.0	8.94	3.82	9.40	3.88	9.87	3.94	10.10	3.97	10.79	4.02	11.23	4.02
	40.0	8.47	3.75	8.93	3.75	9.40	3.75	9.61	3.75	10.25	3.75	10.66	3.75
	43.0	8.18	3.60	8.65	3.60	9.11	3.60	9.35	3.60	9.96	3.60	10.36	3.60
	46.0	7.90	3.03	8.27	3.03	8.62	3.03	8.79	3.03	9.30	3.03	9.63	3.03
3.5+3.5+3.5	22.0	8.40	2.66	8.78	2.71	9.17	2.77	9.36	2.79	9.94	2.87	10.32	2.92
	25.0	8.17	2.76	8.55	2.81	8.94	2.86	9.13	2.89	9.70	2.97	10.09	3.02
	32.0	7.62	3.00	8.01	3.05	8.39	3.10	8.58	3.13	9.16	3.21	9.55	3.26
	35.0	7.39	3.11	7.77	3.17	8.16	3.22	8.35	3.24	8.93	3.32	9.31	3.37
	40.0	7.00	3.31	7.38	3.36	7.77	3.42	7.96	3.44	8.54	3.52	8.92	3.57
	43.0	6.77	3.44	7.15	3.49	7.54	3.54	7.73	3.57	8.30	3.60	8.67	3.60
	46.0	6.53	3.03	6.86	3.03	7.19	3.03	7.35	3.03	7.83	3.03	8.14	3.03
3.5+3.5+4.2	22.0	8.57	2.77	8.96	2.82	9.36	2.88	9.55	2.90	10.14	2.99	10.53	3.04
	25.0	8.33	2.87	8.72	2.92	9.12	2.98	9.31	3.00	9.90	3.08	10.29	3.14
	32.0	7.78	3.12	8.17	3.18	8.56	3.23	8.76	3.26	9.35	3.34	9.74	3.39
	35.0	7.54	3.24	7.93	3.29	8.32	3.35	8.52	3.37	9.11	3.45	9.50	3.51
	40.0	7.14	3.45	7.53	3.50	7.93	3.55	8.12	3.58	8.71	3.66	9.10	3.72
	43.0	6.90	3.58	7.30	3.60	7.69	3.60	7.89	3.60	8.46	3.60	8.83	3.60
	46.0	6.67	3.03	7.02	3.03	7.35	3.03	7.51	3.03	7.99	3.03	8.30	3.03

3D059278

NOTES

- Capacities are based on following conditions
Corresponding refrigerant piping length : 5.0m
Level difference : 0m
- The bold line **□** is indicated the standard condition.
- The above is the value for connecting with the following indoor units.
2.0, 2.5, 3.5, 4.2, 5.0 kW class; wall mounted G series
6.0, 7.1 kW class; wall mounted F series

SYMBOLS

- TC : Total cooling capacity (kW)
PI : Power input (kW)

5 Capacity tables

5 - 2 Cooling capacity tables

5MKS90E

Cooling [50Hz 230V]

Combination (Capacity)	Outdoor air temp. °CDB	Indoor air temp.: °CWB											
		14°C		16°C		18°C		19°C		22°C		24°C	
		TC kW	PI kW	TC kW	PI kW	TC kW	PI kW	TC kW	PI kW	TC kW	PI kW	TC kW	PI kW
3.5+4.2+7.1	22.0	9.59	3.22	10.03	3.28	10.46	3.35	10.68	3.38	11.34	3.47	11.78	3.54
	25.0	9.32	3.34	9.76	3.40	10.20	3.46	10.42	3.49	11.08	3.59	11.52	3.65
	32.0	8.70	3.63	9.14	3.69	9.58	3.76	9.80	3.79	10.45	3.88	10.89	3.94
	35.0	8.43	3.77	8.87	3.83	9.31	3.89	9.53	3.92	10.19	4.02	10.62	4.02
	40.0	7.99	3.75	8.43	3.75	8.87	3.75	9.09	3.75	9.73	3.75	10.12	3.75
	43.0	7.72	3.60	8.16	3.60	8.60	3.60	8.82	3.60	9.48	3.60	9.86	3.60
	46.0	7.46	3.03	7.90	3.03	8.25	3.03	8.42	3.03	8.91	3.03	9.22	3.03
3.5+5.0+5.0	22.0	9.11	2.95	9.53	3.01	9.95	3.07	10.16	3.09	10.78	3.18	11.20	3.24
	25.0	8.86	3.06	9.28	3.11	9.70	3.17	9.90	3.20	10.53	3.29	10.95	3.34
	32.0	8.27	3.33	8.69	3.38	9.10	3.44	9.31	3.47	9.94	3.56	10.36	3.61
	35.0	8.02	3.45	8.43	3.51	8.85	3.57	9.06	3.59	9.69	3.68	10.10	3.74
	40.0	7.59	3.67	8.01	3.73	8.43	3.75	8.64	3.75	9.25	3.75	9.64	3.75
	43.0	7.34	3.60	7.76	3.60	8.18	3.60	8.39	3.60	8.98	3.60	9.35	3.60
	46.0	7.09	3.03	7.45	3.03	7.79	3.03	7.95	3.03	8.44	3.03	8.76	3.03
3.5+5.0+6.0	22.0	9.26	2.76	9.69	2.82	10.11	2.87	10.32	2.90	10.96	2.98	11.39	3.03
	25.0	9.01	2.86	9.43	2.91	9.86	2.97	10.07	2.99	10.70	3.08	11.13	3.13
	32.0	8.41	3.11	8.83	3.17	9.26	3.22	9.47	3.25	10.10	3.33	10.53	3.38
	35.0	8.15	3.23	8.57	3.28	9.00	3.34	9.21	3.36	9.85	3.44	10.27	3.50
	40.0	7.72	3.44	8.14	3.49	8.57	3.54	8.78	3.57	9.42	3.65	9.84	3.70
	43.0	7.46	3.57	7.89	3.60	8.30	3.60	8.51	3.60	9.11	3.60	9.50	3.60
	46.0	7.12	3.03	7.47	3.03	7.82	3.03	7.99	3.03	8.50	3.03	8.83	3.03
3.5+5.0+7.1	22.0	9.71	3.19	10.15	3.25	10.60	3.31	10.82	3.34	11.49	3.44	11.93	3.50
	25.0	9.44	3.30	9.88	3.37	10.33	3.43	10.55	3.46	11.22	3.55	11.66	3.61
	32.0	8.81	3.59	9.25	3.66	9.70	3.72	9.92	3.75	10.59	3.84	11.03	3.90
	35.0	8.54	3.73	8.98	3.79	9.43	3.85	9.65	3.88	10.32	3.98	10.76	4.02
	40.0	8.09	3.75	8.53	3.75	8.98	3.75	9.20	3.75	9.83	3.75	10.23	3.75
	43.0	7.82	3.60	8.26	3.60	8.71	3.60	8.93	3.60	9.56	3.60	9.95	3.60
	46.0	7.55	3.03	7.96	3.03	8.30	3.03	8.47	3.03	8.96	3.03	9.28	3.03
3.5+6.0+6.0	22.0	10.14	3.26	10.60	3.33	11.07	3.39	11.30	3.42	12.00	3.52	12.46	3.58
	25.0	9.86	3.38	10.32	3.44	10.79	3.51	11.02	3.54	11.72	3.63	12.18	3.70
	32.0	9.20	3.68	9.67	3.74	10.13	3.80	10.36	3.84	11.06	3.93	11.52	4.00
	35.0	8.92	3.82	9.38	3.88	9.85	3.94	10.08	3.97	10.76	4.02	11.21	4.02
	40.0	8.45	3.75	8.91	3.75	9.38	3.75	9.60	3.75	10.23	3.75	10.64	3.75
	43.0	8.17	3.60	8.63	3.60	9.10	3.60	9.33	3.60	9.95	3.60	10.34	3.60
	46.0	7.89	3.03	8.26	3.03	8.61	3.03	8.78	3.03	9.28	3.03	9.61	3.03
4.2+4.2+4.2	22.0	8.59	2.77	8.98	2.82	9.38	2.88	9.57	2.90	10.16	2.99	10.56	3.04
	25.0	8.35	2.87	8.75	2.92	9.14	2.98	9.34	3.00	9.93	3.08	10.32	3.14
	32.0	7.79	3.12	8.19	3.18	8.58	3.23	8.78	3.26	9.37	3.34	9.76	3.39
	35.0	7.56	3.24	7.95	3.29	8.34	3.35	8.54	3.37	9.13	3.45	9.52	3.51
	40.0	7.16	3.45	7.55	3.50	7.95	3.55	8.14	3.58	8.73	3.66	9.13	3.72
	43.0	6.92	3.58	7.31	3.60	7.71	3.60	7.90	3.60	8.48	3.60	8.85	3.60
	46.0	6.68	3.03	7.03	3.03	7.36	3.03	7.52	3.03	8.00	3.03	8.31	3.03

3D059279

NOTES

- Capacities are based on following conditions
Corresponding refrigerant piping length : 5.0m
Level difference : 0m
- The bold line [] is indicated the standard condition.
- The above is the value for connecting with the following indoor units.
2.0, 2.5, 3.5, 4.2, 5.0 kW class; wall mounted G series
6.0, 7.1 kW class; wall mounted F series

SYMBOLS

- TC : Total cooling capacity (kW)
PI : Power input (kW)

5 Capacity tables

5 - 2 Cooling capacity tables

5MK90E
Cooling [50Hz 230V]

Combination (Capacity)	Outdoor air temp. °CDB	Indoor air temp.: °CWB											
		14°C		16°C		18°C		19°C		22°C		24°C	
		TC kW	PI kW	TC kW	PI kW	TC kW	PI kW	TC kW	PI kW	TC kW	PI kW	TC kW	PI kW
2.0+2.0+2.0+2.0	22.0	8.01	1.99	8.37	2.03	8.74	2.07	8.92	2.09	9.47	2.14	9.84	2.18
	25.0	7.78	2.06	8.15	2.10	8.52	2.14	8.70	2.16	9.25	2.22	9.62	2.25
	32.0	7.27	2.24	7.63	2.28	8.00	2.32	8.18	2.34	8.73	2.40	9.10	2.44
	35.0	7.04	2.33	7.41	2.36	7.78	2.40	7.96	2.42	8.51	2.48	8.88	2.52
	40.0	6.67	2.47	7.04	2.51	7.41	2.55	7.59	2.57	8.14	2.63	8.51	2.67
	43.0	6.45	2.57	6.82	2.61	7.18	2.65	7.37	2.67	7.92	2.72	8.28	2.76
	46.0	6.23	2.67	6.59	2.71	6.96	2.74	7.14	2.76	7.69	2.82	8.06	2.86
2.0+2.0+2.0+2.5	22.0	8.30	2.14	8.68	2.19	9.06	2.23	9.25	2.25	9.82	2.31	10.20	2.35
	25.0	8.07	2.22	8.45	2.26	8.83	2.31	9.02	2.33	9.59	2.39	9.97	2.43
	32.0	7.53	2.42	7.91	2.46	8.29	2.50	8.48	2.52	9.05	2.58	9.43	2.63
	35.0	7.30	2.51	7.68	2.55	8.06	2.59	8.25	2.61	8.82	2.68	9.20	2.72
	40.0	6.92	2.67	7.30	2.71	7.68	2.75	7.87	2.77	8.44	2.84	8.82	2.88
	43.0	6.69	2.77	7.07	2.81	7.45	2.85	7.64	2.87	8.21	2.94	8.59	2.98
	46.0	6.45	2.88	6.83	2.92	7.21	2.96	7.40	2.98	7.97	3.03	8.31	3.03
2.0+2.0+2.0+3.5	22.0	8.83	2.46	9.24	2.51	9.64	2.55	9.84	2.58	10.45	2.65	10.85	2.70
	25.0	8.59	2.55	8.99	2.59	9.40	2.64	9.60	2.67	10.20	2.74	10.61	2.78
	32.0	8.01	2.77	8.42	2.82	8.82	2.87	9.03	2.89	9.63	2.96	10.04	3.01
	35.0	7.77	2.87	8.17	2.92	8.58	2.97	8.78	2.99	9.39	3.06	9.79	3.11
	40.0	7.36	3.06	7.76	3.11	8.17	3.15	8.37	3.18	8.98	3.25	9.38	3.30
	43.0	7.11	3.17	7.52	3.22	7.92	3.27	8.13	3.29	8.73	3.36	9.14	3.41
	46.0	6.80	3.03	7.16	3.03	7.52	3.03	7.69	3.03	8.21	3.03	8.54	3.03
2.0+2.0+2.0+4.2	22.0	9.17	2.63	9.59	2.68	10.01	2.73	10.22	2.76	10.85	2.83	11.27	2.89
	25.0	8.92	2.72	9.34	2.78	9.76	2.83	9.97	2.85	10.60	2.93	11.02	2.98
	32.0	8.32	2.96	8.74	3.02	9.16	3.07	9.37	3.09	10.01	3.17	10.43	3.22
	35.0	8.07	3.08	8.49	3.13	8.91	3.18	9.12	3.20	9.75	3.28	10.17	3.33
	40.0	7.64	3.27	8.07	3.32	8.49	3.37	8.70	3.40	9.33	3.48	9.75	3.53
	43.0	7.39	3.40	7.81	3.45	8.23	3.50	8.44	3.52	9.07	3.60	9.47	3.60
	46.0	7.03	3.03	7.39	3.03	7.75	3.03	7.92	3.03	8.43	3.03	8.77	3.03
2.0+2.0+2.0+5.0	22.0	9.08	2.65	9.50	2.70	9.92	2.75	10.12	2.78	10.75	2.85	11.16	2.90
	25.0	8.83	2.74	9.25	2.79	9.66	2.84	9.87	2.87	10.49	2.95	10.91	3.00
	32.0	8.24	2.98	8.66	3.03	9.07	3.09	9.28	3.11	9.91	3.19	10.32	3.24
	35.0	7.99	3.09	8.41	3.15	8.82	3.20	9.03	3.22	9.65	3.30	10.07	3.35
	40.0	7.57	3.29	7.99	3.34	8.40	3.40	8.61	3.42	9.23	3.50	9.65	3.55
	43.0	7.32	3.42	7.73	3.47	8.15	3.52	8.36	3.55	8.97	3.60	9.37	3.60
	46.0	6.97	3.03	7.33	3.03	7.68	3.03	7.85	3.03	8.36	3.03	8.69	3.03
2.0+2.0+2.0+6.0	22.0	9.71	2.82	10.15	2.87	10.60	2.93	10.82	2.96	11.49	3.04	11.93	3.09
	25.0	9.44	2.92	9.88	2.97	10.33	3.03	10.55	3.06	11.22	3.14	11.66	3.19
	32.0	8.81	3.18	9.25	3.23	9.70	3.29	9.92	3.31	10.59	3.40	11.03	3.45
	35.0	8.54	3.30	8.98	3.35	9.43	3.41	9.65	3.43	10.32	3.52	10.78	3.57
	40.0	8.09	3.51	8.53	3.56	8.98	3.62	9.20	3.64	9.87	3.73	10.30	3.75
	43.0	7.82	3.60	8.26	3.60	8.68	3.60	8.89	3.60	9.51	3.60	9.91	3.60
	46.0	7.41	3.03	7.78	3.03	8.14	3.03	8.31	3.03	8.83	3.03	9.17	3.03

3D059280

NOTES

- Capacities are based on following conditions
Corresponding refrigerant piping length : 5.0m
Level difference : 0m
- The bold line **□** is indicated the standard condition.
- The above is the value for connecting with the following indoor units.
2.0, 2.5, 3.5, 4.2, 5.0 kW class; wall mounted G series
6.0, 7.1 kW class; wall mounted F series

SYMBOLS

- TC : Total cooling capacity (kW)
PI : Power input (kW)

5 Capacity tables

5 - 2 Cooling capacity tables

5MKS90E

Cooling [50Hz 230V]

Combination (Capacity)	Outdoor air temp. °CDB	Indoor air temp.: °CWB											
		14°C		16°C		18°C		19°C		22°C		24°C	
		TC kW	PI kW	TC kW	PI kW	TC kW	PI kW	TC kW	PI kW	TC kW	PI kW	TC kW	PI kW
2.0+2.0+2.5+7.1	22.0	9.74	2.83	10.18	2.88	10.63	2.94	10.85	2.96	11.52	3.05	11.97	3.10
	25.0	9.47	2.93	9.91	2.98	10.36	3.04	10.58	3.07	11.25	3.15	11.70	3.20
	32.0	8.84	3.19	9.28	3.24	9.73	3.30	9.95	3.32	10.62	3.41	11.07	3.46
	35.0	8.57	3.31	9.01	3.36	9.46	3.42	9.68	3.44	10.35	3.53	10.79	3.58
	40.0	8.11	3.52	8.56	3.57	9.01	3.63	9.23	3.65	9.90	3.74	10.33	3.75
	43.0	7.84	3.60	8.28	3.60	8.71	3.60	8.92	3.60	9.54	3.60	9.94	3.60
	46.0	7.44	3.03	7.80	3.03	8.16	3.03	8.33	3.03	8.85	3.03	9.19	3.03
2.0+2.0+3.5+3.5	22.0	8.91	2.63	9.32	2.68	9.73	2.73	9.93	2.76	10.54	2.83	10.95	2.89
	25.0	8.66	2.72	9.07	2.78	9.48	2.83	9.69	2.85	10.30	2.93	10.71	2.98
	32.0	8.09	2.96	8.50	3.02	8.90	3.07	9.11	3.09	9.72	3.17	10.13	3.22
	35.0	7.84	3.08	8.25	3.13	8.66	3.18	8.86	3.20	9.47	3.28	9.88	3.33
	40.0	7.43	3.27	7.84	3.32	8.24	3.37	8.45	3.40	9.06	3.48	9.47	3.53
	43.0	7.18	3.40	7.59	3.45	8.00	3.50	8.20	3.52	8.81	3.60	9.20	3.60
	46.0	6.86	3.03	7.21	3.03	7.56	3.03	7.73	3.03	8.23	3.03	8.56	3.03
2.0+2.0+3.5+4.2	22.0	9.10	2.74	9.52	2.80	9.94	2.85	10.15	2.88	10.77	2.96	11.19	3.01
	25.0	8.85	2.84	9.27	2.90	9.68	2.95	9.89	2.98	10.52	3.06	10.94	3.11
	32.0	8.26	3.09	8.68	3.15	9.09	3.20	9.30	3.23	9.93	3.31	10.35	3.36
	35.0	8.01	3.21	8.42	3.26	8.84	3.32	9.05	3.34	9.68	3.42	10.09	3.48
	40.0	7.59	3.42	8.00	3.47	8.42	3.52	8.63	3.55	9.25	3.63	9.67	3.68
	43.0	7.33	3.55	7.75	3.60	8.16	3.60	8.37	3.60	8.96	3.60	9.35	3.60
	46.0	7.01	3.03	7.36	3.03	7.71	3.03	7.88	3.03	8.38	3.03	8.70	3.03
2.0+2.0+3.5+5.0	22.0	9.27	2.76	9.70	2.82	10.12	2.87	10.34	2.90	10.97	2.98	11.40	3.03
	25.0	9.02	2.86	9.44	2.91	9.87	2.97	10.08	2.99	10.72	3.08	11.14	3.13
	32.0	8.42	3.11	8.84	3.17	9.27	3.22	9.48	3.25	10.11	3.33	10.54	3.38
	35.0	8.16	3.23	8.58	3.28	9.01	3.34	9.22	3.36	9.86	3.44	10.28	3.50
	40.0	7.73	3.44	8.15	3.49	8.58	3.54	8.79	3.57	9.43	3.65	9.85	3.70
	43.0	7.47	3.57	7.90	3.60	8.31	3.60	8.52	3.60	9.12	3.60	9.51	3.60
	46.0	7.13	3.03	7.48	3.03	7.83	3.03	8.00	3.03	8.51	3.03	8.84	3.03
2.0+2.0+3.5+6.0	22.0	9.72	2.82	10.16	2.87	10.61	2.93	10.83	2.96	11.50	3.04	11.94	3.09
	25.0	9.45	2.92	9.89	2.97	10.34	3.03	10.56	3.06	11.23	3.14	11.67	3.19
	32.0	8.82	3.18	9.26	3.23	9.71	3.29	9.93	3.31	10.60	3.40	11.04	3.45
	35.0	8.55	3.30	8.99	3.35	9.44	3.41	9.66	3.43	10.33	3.52	10.77	3.57
	40.0	8.10	3.51	8.54	3.56	8.99	3.62	9.21	3.64	9.88	3.73	10.31	3.75
	43.0	7.83	3.60	8.26	3.60	8.69	3.60	8.90	3.60	9.52	3.60	9.92	3.60
	46.0	7.42	3.03	7.79	3.03	8.14	3.03	8.32	3.03	8.84	3.03	9.17	3.03
2.0+2.0+3.5+7.1	22.0	9.74	2.83	10.18	2.88	10.63	2.94	10.85	2.96	11.52	3.05	11.97	3.10
	25.0	9.47	2.93	9.91	2.98	10.36	3.04	10.58	3.07	11.25	3.15	11.70	3.20
	32.0	8.84	3.19	9.28	3.24	9.73	3.30	9.95	3.32	10.62	3.41	11.07	3.46
	35.0	8.57	3.31	9.01	3.36	9.46	3.42	9.68	3.44	10.35	3.53	10.79	3.58
	40.0	8.11	3.52	8.56	3.57	9.01	3.63	9.23	3.65	9.90	3.74	10.33	3.75
	43.0	7.84	3.60	8.28	3.60	8.71	3.60	8.92	3.60	9.54	3.60	9.94	3.60
	46.0	7.44	3.03	7.80	3.03	8.16	3.03	8.33	3.03	8.85	3.03	9.19	3.03

3D059281

NOTES

- Capacities are based on following conditions
Corresponding refrigerant piping length : 5.0m
Level difference : 0m
- The bold line [] is indicated the standard condition.
- The above is the value for connecting with the following indoor units.
2.0, 2.5, 3.5, 4.2, 5.0 kW class; wall mounted G series
6.0, 7.1 kW class; wall mounted F series

SYMBOLS

- TC : Total cooling capacity (kW)
PI : Power input (kW)

5 Capacity tables

5 - 2 Cooling capacity tables

5MK90E
Cooling [50Hz 230V]

Combination (Capacity)	Outdoor air temp. °CDB	Indoor air temp.: °CWB											
		14°C		16°C		18°C		19°C		22°C		24°C	
		TC kW	PI kW	TC kW	PI kW	TC kW	PI kW	TC kW	PI kW	TC kW	PI kW	TC kW	PI kW
2.0+2.5+2.5+2.5	22.0	8.83	2.46	9.24	2.51	9.64	2.55	9.84	2.58	10.45	2.65	10.85	2.70
	25.0	8.59	2.55	8.99	2.59	9.40	2.64	9.60	2.67	10.20	2.74	10.61	2.78
	32.0	8.01	2.77	8.42	2.82	8.82	2.87	9.03	2.89	9.63	2.96	10.04	3.01
	35.0	7.77	2.87	8.17	2.82	8.58	2.97	8.78	2.99	9.38	3.06	9.79	3.11
	40.0	7.98	3.06	7.76	3.11	8.17	3.15	8.37	3.18	8.98	3.25	9.38	3.30
	43.0	7.11	3.17	7.52	3.22	7.92	3.27	8.13	3.29	8.73	3.36	9.14	3.41
	46.0	6.80	3.03	7.16	3.03	7.52	3.03	7.69	3.03	8.21	3.03	8.54	3.03
2.0+2.5+2.5+3.5	22.0	8.91	2.63	9.32	2.68	9.73	2.73	9.93	2.76	10.54	2.83	10.95	2.89
	25.0	8.66	2.72	9.07	2.78	9.48	2.83	9.69	2.85	10.30	2.93	10.71	2.98
	32.0	8.09	2.96	8.50	3.02	8.90	3.07	9.11	3.09	9.72	3.17	10.13	3.22
	35.0	7.84	3.08	8.25	3.13	8.66	3.18	8.86	3.20	9.47	3.28	9.88	3.33
	40.0	7.43	3.27	7.84	3.32	8.24	3.37	8.45	3.40	9.06	3.48	9.47	3.53
	43.0	7.18	3.40	7.59	3.45	8.00	3.50	8.20	3.52	8.81	3.60	9.20	3.60
	46.0	6.86	3.03	7.21	3.03	7.56	3.03	7.73	3.03	8.23	3.03	8.56	3.03
2.0+2.5+2.5+4.2	22.0	9.09	2.74	9.51	2.80	9.93	2.85	10.13	2.88	10.76	2.96	11.18	3.01
	25.0	8.84	2.84	9.26	2.90	9.67	2.95	9.88	2.98	10.51	3.06	10.92	3.11
	32.0	8.25	3.09	8.67	3.15	9.08	3.20	9.29	3.23	9.92	3.31	10.33	3.36
	35.0	8.00	3.21	8.42	3.26	8.83	3.32	9.04	3.34	9.66	3.42	10.08	3.48
	40.0	7.58	3.42	7.99	3.47	8.41	3.52	8.62	3.55	9.24	3.63	9.66	3.68
	43.0	7.33	3.55	7.74	3.60	8.15	3.60	8.36	3.60	8.95	3.60	9.34	3.60
	46.0	7.00	3.03	7.36	3.03	7.70	3.03	7.87	3.03	8.37	3.03	8.69	3.03
2.0+2.5+2.5+5.0	22.0	9.26	2.76	9.69	2.82	10.11	2.87	10.32	2.90	10.96	2.98	11.39	3.03
	25.0	9.01	2.86	9.43	2.91	9.86	2.97	10.07	2.99	10.70	3.08	11.13	3.13
	32.0	8.41	3.11	8.83	3.17	9.26	3.22	9.47	3.25	10.10	3.33	10.53	3.38
	35.0	8.15	3.23	8.57	3.28	9.00	3.34	9.21	3.36	9.85	3.44	10.27	3.50
	40.0	7.72	3.44	8.14	3.49	8.57	3.54	8.78	3.57	9.42	3.65	9.84	3.70
	43.0	7.46	3.57	7.89	3.60	8.30	3.60	8.51	3.60	9.11	3.60	9.50	3.60
	46.0	7.12	3.03	7.47	3.03	7.82	3.03	7.99	3.03	8.50	3.03	8.83	3.03
2.0+2.5+2.5+6.0	22.0	9.71	2.82	10.15	2.87	10.60	2.93	10.82	2.96	11.49	3.04	11.93	3.09
	25.0	9.44	2.92	9.88	2.97	10.33	3.03	10.55	3.06	11.22	3.14	11.66	3.19
	32.0	8.81	3.18	9.25	3.23	9.70	3.29	9.92	3.31	10.59	3.40	11.03	3.45
	35.0	8.54	3.30	8.98	3.35	9.43	3.41	9.65	3.43	10.32	3.52	10.76	3.57
	40.0	8.09	3.51	8.53	3.56	8.98	3.62	9.20	3.64	9.87	3.73	10.30	3.75
	43.0	7.82	3.60	8.26	3.60	8.68	3.60	8.89	3.60	9.51	3.60	9.91	3.60
	46.0	7.41	3.03	7.78	3.03	8.14	3.03	8.31	3.03	8.83	3.03	9.17	3.03
2.0+2.5+2.5+7.1	22.0	9.74	2.83	10.18	2.88	10.63	2.94	10.85	2.96	11.52	3.05	11.97	3.10
	25.0	9.47	2.93	9.91	2.98	10.36	3.04	10.58	3.07	11.25	3.15	11.70	3.20
	32.0	8.84	3.19	9.28	3.24	9.73	3.30	9.95	3.32	10.62	3.41	11.07	3.46
	35.0	8.57	3.31	9.01	3.36	9.46	3.42	9.68	3.44	10.35	3.53	10.79	3.58
	40.0	8.11	3.52	8.56	3.57	9.01	3.63	9.23	3.65	9.90	3.74	10.33	3.75
	43.0	7.84	3.60	8.28	3.60	8.71	3.60	8.92	3.60	9.54	3.60	9.94	3.60
	46.0	7.44	3.03	7.80	3.03	8.16	3.03	8.33	3.03	8.85	3.03	9.19	3.03

3D059282

NOTES

- Capacities are based on following conditions
Corresponding refrigerant piping length : 5.0m
Level difference : 0m
- The bold line is indicated the standard condition.
- The above is the value for connecting with the following indoor units.
2.0, 2.5, 3.5, 4.2, 5.0 kW class; wall mounted G series
6.0, 7.1 kW class; wall mounted F series

SYMBOLS

TC : Total cooling capacity (kW)
PI : Power input (kW)

5 Capacity tables

5 - 2 Cooling capacity tables

5MKS90E

Cooling [50Hz 230V]

Combination (Capacity)	Outdoor air temp. °CDB	Indoor air temp.: °CWB											
		14°C		16°C		18°C		19°C		22°C		24°C	
		TC kW	PI kW	TC kW	PI kW	TC kW	PI kW	TC kW	PI kW	TC kW	PI kW	TC kW	PI kW
2.0+2.5+4.2+5.0	22.0	9.28	2.77	9.71	2.82	10.13	2.88	10.35	2.90	10.99	2.99	11.41	3.04
	25.0	9.03	2.87	9.45	2.92	9.88	2.98	10.09	3.00	10.73	3.08	11.15	3.14
	32.0	8.42	3.12	8.85	3.18	9.28	3.23	9.49	3.26	10.13	3.34	10.55	3.39
	35.0	8.17	3.24	8.59	3.29	9.02	3.35	9.23	3.37	9.87	3.45	10.29	3.51
	40.0	7.74	3.45	8.16	3.50	8.59	3.55	8.80	3.58	9.44	3.66	9.86	3.72
	43.0	7.48	3.58	7.90	3.60	8.32	3.60	8.53	3.60	9.13	3.60	9.52	3.60
	46.0	7.13	3.03	7.49	3.03	7.84	3.03	8.01	3.03	8.51	3.03	8.84	3.03
2.0+2.5+4.2+6.0	22.0	10.12	3.21	10.58	3.27	11.05	3.33	11.28	3.36	11.97	3.45	12.44	3.52
	25.0	9.84	3.32	10.30	3.38	10.77	3.45	11.00	3.48	11.69	3.57	12.16	3.63
	32.0	9.18	3.61	9.65	3.68	10.11	3.74	10.34	3.77	11.04	3.86	11.50	3.92
	35.0	8.90	3.75	9.36	3.81	9.83	3.87	10.06	3.90	10.76	4.00	11.20	4.02
	40.0	8.43	3.75	8.90	3.75	9.35	3.75	9.57	3.75	10.20	3.75	10.81	3.75
	43.0	8.15	3.60	8.62	3.60	9.08	3.60	9.30	3.60	9.91	3.60	10.30	3.60
	46.0	7.85	3.03	8.21	3.03	8.56	3.03	8.73	3.03	9.24	3.03	9.57	3.03
2.0+2.5+5.0+5.0	22.0	9.46	2.79	9.89	2.84	10.32	2.89	10.54	2.92	11.19	3.00	11.62	3.06
	25.0	9.19	2.89	9.63	2.94	10.06	2.99	10.28	3.02	10.92	3.10	11.36	3.16
	32.0	8.58	3.14	9.01	3.19	9.45	3.25	9.66	3.28	10.31	3.36	10.75	3.41
	35.0	8.32	3.26	8.75	3.31	9.18	3.37	9.40	3.39	10.05	3.47	10.48	3.53
	40.0	7.88	3.47	8.31	3.52	8.75	3.57	8.96	3.60	9.61	3.68	10.04	3.74
	43.0	7.62	3.60	8.05	3.60	8.47	3.60	8.68	3.60	9.28	3.60	9.68	3.60
	46.0	7.25	3.03	7.61	3.03	7.96	3.03	8.13	3.03	8.64	3.03	8.97	3.03
2.0+2.5+5.0+6.0	22.0	10.46	3.50	10.94	3.57	11.42	3.64	11.66	3.67	12.38	3.77	12.86	3.84
	25.0	10.17	3.63	10.65	3.69	11.13	3.76	11.37	3.80	12.09	3.90	12.57	3.97
	32.0	9.49	3.95	9.97	4.01	10.45	4.08	10.69	4.12	11.40	4.18	11.86	4.18
	35.0	9.20	4.02	9.68	4.02	10.16	4.02	10.39	4.02	11.07	4.02	11.51	4.02
	40.0	8.72	3.75	9.20	3.75	9.68	3.75	9.92	3.75	10.59	3.75	11.00	3.75
	43.0	8.43	3.60	8.91	3.60	9.39	3.60	9.63	3.60	10.34	3.60	10.73	3.60
	46.0	8.14	3.03	8.62	3.03	8.98	3.03	9.15	3.03	9.65	3.03	9.98	3.03
2.0+3.5+3.5+3.5	22.0	9.10	2.79	9.52	2.84	9.94	2.89	10.15	2.92	10.77	3.00	11.19	3.06
	25.0	8.85	2.89	9.27	2.94	9.68	2.99	9.89	3.02	10.52	3.10	10.94	3.16
	32.0	8.26	3.14	8.68	3.19	9.09	3.25	9.30	3.28	9.93	3.36	10.35	3.41
	35.0	8.01	3.26	8.42	3.31	8.84	3.37	9.05	3.39	9.68	3.47	10.09	3.53
	40.0	7.59	3.47	8.00	3.52	8.42	3.57	8.63	3.60	9.25	3.68	9.67	3.74
	43.0	7.33	3.60	7.75	3.60	8.16	3.60	8.36	3.60	8.96	3.60	9.34	3.60
	46.0	7.02	3.03	7.37	3.03	7.72	3.03	7.89	3.03	8.38	3.03	8.71	3.03
2.0+3.5+3.5+4.2	22.0	9.16	2.84	9.58	2.90	10.00	2.95	10.21	2.98	10.84	3.06	11.26	3.12
	25.0	8.91	2.95	9.33	3.00	9.75	3.06	9.96	3.08	10.59	3.17	11.01	3.22
	32.0	8.32	3.21	8.73	3.26	9.15	3.32	9.36	3.34	9.99	3.43	10.41	3.48
	35.0	8.06	3.33	8.48	3.38	8.90	3.44	9.11	3.46	9.74	3.55	10.16	3.60
	40.0	7.64	3.54	8.06	3.59	8.48	3.65	8.69	3.68	9.31	3.75	9.72	3.75
	43.0	7.38	3.60	7.80	3.60	8.22	3.60	8.42	3.60	9.01	3.60	9.39	3.60
	46.0	7.09	3.03	7.43	3.03	7.78	3.03	7.94	3.03	8.44	3.03	8.76	3.03

3D059283

NOTES

- Capacities are based on following conditions
Corresponding refrigerant piping length : 5.0m
Level difference : 0m
- The bold line [] is indicated the standard condition.
- The above is the value for connecting with the following indoor units.
2.0, 2.5, 3.5, 4.2, 5.0 kW class; wall mounted G series
6.0, 7.1 kW class; wall mounted F series

SYMBOLS

- TC : Total cooling capacity (kW)
PI : Power input (kW)

5 Capacity tables

5 - 2 Cooling capacity tables

5MK90E
Cooling [50Hz 230V]

Combination (Capacity)	Outdoor air temp. °CDB	Indoor air temp.: °CWB											
		14°C		16°C		18°C		19°C		22°C		24°C	
		TC kW	PI kW	TC kW	PI kW	TC kW	PI kW	TC kW	PI kW	TC kW	PI kW	TC kW	PI kW
2.0+4.2+4.2+5.0	22.0	9.73	3.19	10.17	3.25	10.62	3.31	10.84	3.34	11.51	3.44	11.95	3.50
	25.0	9.46	3.30	9.90	3.37	10.35	3.43	10.57	3.46	11.24	3.55	11.68	3.61
	32.0	8.83	3.59	9.27	3.66	9.72	3.72	9.94	3.75	10.61	3.84	11.05	3.90
	35.0	8.56	3.73	9.00	3.79	9.45	3.85	9.67	3.88	10.34	3.88	10.78	4.02
	40.0	8.11	3.75	8.55	3.75	9.00	3.75	9.22	3.75	9.84	3.75	10.25	3.75
	43.0	7.84	3.60	8.28	3.60	8.73	3.60	8.95	3.60	9.58	3.60	9.96	3.60
	46.0	7.57	3.03	7.97	3.03	8.31	3.03	8.48	3.03	8.97	3.03	9.30	3.03
2.5+2.5+2.5+2.5	22.0	8.90	2.62	9.31	2.67	9.72	2.72	9.92	2.75	10.53	2.83	10.94	2.88
	25.0	8.65	2.72	9.06	2.77	9.47	2.82	9.67	2.84	10.29	2.92	10.69	2.97
	32.0	8.08	2.95	8.49	3.01	8.89	3.06	9.10	3.08	9.71	3.16	10.12	3.21
	35.0	7.83	3.07	8.24	3.12	8.65	3.17	8.85	3.19	9.46	3.27	9.87	3.32
	40.0	7.42	3.26	7.83	3.31	8.23	3.36	8.44	3.39	9.05	3.47	9.46	3.52
	43.0	7.17	3.39	7.58	3.44	7.99	3.49	8.19	3.51	8.80	3.59	9.19	3.60
	46.0	6.85	3.03	7.20	3.03	7.55	3.03	7.72	3.03	8.22	3.03	8.55	3.03
2.5+2.5+2.5+3.5	22.0	8.91	2.63	9.32	2.68	9.73	2.73	9.93	2.76	10.54	2.83	10.95	2.89
	25.0	8.66	2.72	9.07	2.78	9.48	2.83	9.69	2.85	10.30	2.93	10.71	2.98
	32.0	8.09	2.96	8.50	3.02	8.90	3.07	9.11	3.09	9.72	3.17	10.13	3.22
	35.0	7.84	3.08	8.25	3.13	8.66	3.18	8.86	3.20	9.47	3.28	9.88	3.33
	40.0	7.43	3.27	7.84	3.32	8.24	3.37	8.45	3.40	9.06	3.48	9.47	3.53
	43.0	7.18	3.40	7.59	3.45	8.00	3.50	8.20	3.52	8.81	3.60	9.20	3.60
	46.0	6.86	3.03	7.21	3.03	7.56	3.03	7.73	3.03	8.23	3.03	8.56	3.03
2.5+2.5+2.5+4.2	22.0	9.09	2.74	9.51	2.80	9.93	2.85	10.13	2.88	10.76	2.96	11.18	3.01
	25.0	8.84	2.84	9.26	2.90	9.67	2.95	9.88	2.98	10.51	3.06	10.92	3.11
	32.0	8.25	3.09	8.67	3.15	9.08	3.20	9.29	3.23	9.92	3.31	10.33	3.36
	35.0	8.00	3.21	8.42	3.26	8.83	3.32	9.04	3.34	9.66	3.42	10.08	3.48
	40.0	7.58	3.42	7.99	3.47	8.41	3.52	8.62	3.55	9.24	3.63	9.66	3.68
	43.0	7.33	3.55	7.74	3.60	8.15	3.60	8.36	3.60	8.95	3.60	9.34	3.60
	46.0	7.00	3.03	7.36	3.03	7.70	3.03	7.87	3.03	8.37	3.03	8.69	3.03
2.5+2.5+2.5+5.0	22.0	9.26	2.76	9.69	2.82	10.11	2.87	10.32	2.90	10.96	2.98	11.39	3.03
	25.0	9.01	2.86	9.43	2.91	9.86	2.97	10.07	2.99	10.70	3.08	11.13	3.13
	32.0	8.41	3.11	8.83	3.17	9.26	3.22	9.47	3.25	10.10	3.33	10.53	3.38
	35.0	8.15	3.23	8.57	3.28	9.00	3.34	9.21	3.36	9.85	3.44	10.27	3.50
	40.0	7.72	3.44	8.14	3.49	8.57	3.54	8.78	3.57	9.42	3.65	9.84	3.70
	43.0	7.46	3.57	7.89	3.60	8.30	3.60	8.51	3.60	9.11	3.60	9.50	3.60
	46.0	7.12	3.03	7.47	3.03	7.82	3.03	7.99	3.03	8.50	3.03	8.83	3.03
2.5+2.5+2.5+6.0	22.0	9.71	2.82	10.15	2.87	10.60	2.93	10.82	2.96	11.49	3.04	11.93	3.09
	25.0	9.44	2.92	9.88	2.97	10.33	3.03	10.55	3.06	11.22	3.14	11.66	3.19
	32.0	8.81	3.18	9.25	3.23	9.70	3.29	9.92	3.31	10.59	3.40	11.03	3.45
	35.0	8.54	3.30	8.98	3.35	9.43	3.41	9.65	3.43	10.32	3.52	10.76	3.57
	40.0	8.09	3.51	8.53	3.56	8.98	3.62	9.20	3.64	9.87	3.73	10.30	3.75
	43.0	7.82	3.60	8.26	3.60	8.68	3.60	8.89	3.60	9.51	3.60	9.91	3.60
	46.0	7.41	3.03	7.78	3.03	8.14	3.03	8.31	3.03	8.83	3.03	9.17	3.03

3D059284

NOTES

- Capacities are based on following conditions
Corresponding refrigerant piping length : 5.0m
Level difference : 0m
- The bold line **□** is indicated the standard condition.
- The above is the value for connecting with the following indoor units.
2.0, 2.5, 3.5, 4.2, 5.0 kW class; wall mounted G series
6.0, 7.1 kW class; wall mounted F series

SYMBOLS

- TC : Total cooling capacity (kW)
PI : Power input (kW)

5 Capacity tables

5 - 2 Cooling capacity tables

5MK590E

Cooling [50Hz 230V]

Combination (Capacity)	Outdoor air temp. °CDB	Indoor air temp.: °CWB											
		14°C		16°C		18°C		19°C		22°C		24°C	
		TC kW	PI kW	TC kW	PI kW	TC kW	PI kW	TC kW	PI kW	TC kW	PI kW	TC kW	PI kW
2.5+2.5+4.2+4.2	22.0	9.16	2.80	9.58	2.86	10.00	2.91	10.21	2.94	10.84	3.02	11.26	3.08
	25.0	8.91	2.90	9.39	2.96	9.75	3.01	9.96	3.04	10.59	3.12	11.01	3.18
	32.0	8.32	3.16	8.73	3.21	9.15	3.27	9.36	3.30	9.99	3.38	10.41	3.43
	35.0	8.06	3.28	8.48	3.33	8.90	3.39	9.11	3.41	9.74	3.50	10.16	3.55
	40.0	7.64	3.49	8.06	3.54	8.48	3.60	8.69	3.62	9.32	3.70	9.73	3.75
	43.0	7.38	3.60	7.80	3.60	8.21	3.60	8.42	3.60	9.01	3.60	9.40	3.60
	46.0	7.07	3.03	7.42	3.03	7.76	3.03	7.93	3.03	8.43	3.03	8.75	3.03
2.5+2.5+4.2+5.0	22.0	9.28	2.77	9.71	2.82	10.13	2.88	10.35	2.90	10.99	2.99	11.41	3.04
	25.0	9.03	2.87	9.45	2.92	9.88	2.98	10.09	3.00	10.73	3.08	11.15	3.14
	32.0	8.42	3.12	8.85	3.18	9.28	3.23	9.49	3.26	10.13	3.34	10.55	3.39
	35.0	8.17	3.24	8.59	3.29	9.02	3.35	9.23	3.37	9.87	3.45	10.29	3.51
	40.0	7.74	3.45	8.16	3.50	8.59	3.55	8.80	3.58	9.44	3.66	9.86	3.72
	43.0	7.48	3.58	7.90	3.60	8.32	3.60	8.53	3.60	9.13	3.60	9.52	3.60
	46.0	7.13	3.03	7.49	3.03	7.84	3.03	8.01	3.03	8.51	3.03	8.84	3.03
2.5+2.5+4.2+6.0	22.0	10.12	3.21	10.58	3.27	11.05	3.33	11.28	3.36	11.97	3.45	12.44	3.52
	25.0	9.84	3.32	10.30	3.38	10.77	3.45	11.00	3.48	11.69	3.57	12.16	3.63
	32.0	9.18	3.61	9.65	3.68	10.11	3.74	10.34	3.77	11.04	3.86	11.50	3.92
	35.0	8.90	3.75	9.36	3.81	9.83	3.87	10.06	3.90	10.76	4.00	11.20	4.02
	40.0	8.43	3.75	8.90	3.75	9.35	3.75	9.57	3.75	10.20	3.75	10.61	3.75
	43.0	8.15	3.60	8.62	3.60	9.08	3.60	9.30	3.60	9.91	3.60	10.30	3.60
	46.0	7.85	3.03	8.21	3.03	8.56	3.03	8.73	3.03	9.24	3.03	9.57	3.03
2.5+2.5+5.0+5.0	22.0	10.01	3.41	10.47	3.48	10.93	3.54	11.15	3.58	11.84	3.68	12.30	3.74
	25.0	9.73	3.53	10.19	3.60	10.65	3.67	10.88	3.70	11.56	3.80	12.02	3.87
	32.0	9.08	3.84	9.54	3.91	10.00	3.98	10.23	4.01	10.92	4.11	11.37	4.18
	35.0	8.80	3.99	9.26	4.02	9.72	4.02	9.95	4.02	10.62	4.02	11.05	4.02
	40.0	8.34	3.75	8.80	3.75	9.26	3.75	9.49	3.75	10.17	3.75	10.57	3.75
	43.0	8.06	3.60	8.52	3.60	8.98	3.60	9.21	3.60	9.90	3.60	10.32	3.60
	46.0	7.78	3.03	8.24	3.03	8.65	3.03	8.81	3.03	9.31	3.03	9.63	3.03
2.5+3.5+3.5+3.5	22.0	9.12	2.79	9.54	2.84	9.96	2.89	10.17	2.92	10.79	3.00	11.21	3.06
	25.0	8.87	2.89	9.29	2.94	9.71	2.99	9.91	3.02	10.54	3.10	10.96	3.16
	32.0	8.28	3.14	8.70	3.19	9.11	3.25	9.32	3.28	9.95	3.36	10.37	3.41
	35.0	8.03	3.26	8.44	3.31	8.86	3.37	9.07	3.39	9.70	3.47	10.11	3.53
	40.0	7.60	3.47	8.02	3.52	8.44	3.57	8.65	3.60	9.27	3.68	9.69	3.74
	43.0	7.35	3.60	7.77	3.60	8.18	3.60	8.38	3.60	8.97	3.60	9.36	3.60
	46.0	7.04	3.03	7.39	3.03	7.73	3.03	7.90	3.03	8.40	3.03	8.72	3.03
2.5+3.5+3.5+4.2	22.0	9.18	2.84	9.60	2.90	10.02	2.95	10.24	2.98	10.87	3.06	11.29	3.12
	25.0	8.93	2.95	9.35	3.00	9.77	3.06	9.98	3.08	10.61	3.17	11.03	3.22
	32.0	8.33	3.21	8.75	3.26	9.17	3.32	9.39	3.34	10.02	3.43	10.44	3.48
	35.0	8.08	3.33	8.50	3.38	8.92	3.44	9.13	3.46	9.76	3.55	10.18	3.60
	40.0	7.65	3.54	8.07	3.59	8.49	3.65	8.70	3.68	9.33	3.75	9.74	3.75
	43.0	7.40	3.60	7.82	3.60	8.23	3.60	8.44	3.60	9.03	3.60	9.41	3.60
	46.0	7.10	3.03	7.45	3.03	7.79	3.03	7.96	3.03	8.45	3.03	8.78	3.03

3D059285

NOTES

- Capacities are based on following conditions
Corresponding refrigerant piping length : 5.0m
Level difference : 0m
- The bold line [] is indicated the standard condition.
- The above is the value for connecting with the following indoor units.
2.0, 2.5, 3.5, 4.2, 5.0 kW class; wall mounted G series
6.0, 7.1 kW class; wall mounted F series

SYMBOLS

- TC : Total cooling capacity (kW)
PI : Power input (kW)

5 Capacity tables

5 - 2 Cooling capacity tables

5MK90E													
Cooling [50Hz 230V]													
Combination (Capacity)	Outdoor air temp. °CDB	Indoor air temp.: °CWB											
		14°C		16°C		18°C		19°C		22°C		24°C	
		TC kW	PI kW	TC kW	PI kW	TC kW	PI kW	TC kW	PI kW	TC kW	PI kW	TC kW	PI kW
3.5+3.5+3.5+4.2	22.0	9.50	3.14	9.98	3.20	10.97	3.28	10.58	3.29	11.24	3.38	11.67	3.44
	25.0	9.23	3.25	9.67	3.31	10.10	3.37	10.32	3.40	10.97	3.50	11.41	3.56
	32.0	8.62	3.54	9.05	3.60	9.49	3.66	9.70	3.69	10.36	3.78	10.79	3.84
	35.0	8.35	3.67	8.79	3.73	9.22	3.79	9.44	3.82	10.09	3.82	10.53	3.98
	40.0	7.91	3.75	8.35	3.75	8.78	3.75	9.00	3.75	9.62	3.75	10.02	3.75
	43.0	7.65	3.60	8.08	3.60	8.52	3.60	8.74	3.60	9.37	3.60	9.75	3.60
	46.0	7.39	3.03	7.80	3.03	8.14	3.03	8.31	3.03	8.79	3.03	9.11	3.03
3.5+3.5+3.5+5.0	22.0	9.72	3.19	10.16	3.25	10.61	3.31	10.83	3.34	11.50	3.44	11.94	3.50
	25.0	9.45	3.30	9.89	3.37	10.34	3.43	10.56	3.46	11.23	3.55	11.67	3.61
	32.0	8.82	3.59	9.26	3.66	9.71	3.72	9.93	3.75	10.60	3.84	11.04	3.90
	35.0	8.55	3.73	8.99	3.79	9.44	3.85	9.66	3.88	10.33	3.98	10.77	4.02
	40.0	8.10	3.75	8.54	3.75	8.99	3.75	9.21	3.75	9.83	3.75	10.24	3.75
	43.0	7.83	3.60	8.27	3.60	8.72	3.60	8.94	3.60	9.57	3.60	9.96	3.60
	46.0	7.56	3.03	7.97	3.03	8.31	3.03	8.47	3.03	8.97	3.03	9.29	3.03
3.5+3.5+4.2+4.2	22.0	9.56	3.21	9.99	3.27	10.43	3.33	10.65	3.36	11.31	3.45	11.74	3.52
	25.0	9.29	3.32	9.73	3.38	10.17	3.45	10.38	3.48	11.04	3.57	11.48	3.63
	32.0	8.67	3.61	9.11	3.68	9.55	3.74	9.77	3.77	10.42	3.86	10.86	3.92
	35.0	8.41	3.75	8.84	3.81	9.28	3.87	9.50	3.90	10.16	4.00	10.59	4.02
	40.0	7.96	3.75	8.40	3.75	8.84	3.75	9.06	3.75	9.69	3.75	10.09	3.75
	43.0	7.70	3.60	8.14	3.60	8.57	3.60	8.79	3.60	9.45	3.60	9.83	3.60
	46.0	7.43	3.03	7.87	3.03	8.22	3.03	8.39	3.03	8.88	3.03	9.19	3.03
2.0+2.0+2.0+2.0+2.0	22.0	9.08	2.47	9.50	2.51	9.92	2.56	10.12	2.59	10.75	2.66	11.16	2.71
	25.0	8.83	2.55	9.25	2.60	9.68	2.65	9.87	2.67	10.49	2.75	10.91	2.79
	32.0	8.24	2.78	8.66	2.83	9.07	2.87	9.28	2.90	9.91	2.97	10.32	3.02
	35.0	7.99	2.88	8.41	2.93	8.82	2.98	9.03	3.00	9.65	3.08	10.07	3.12
	40.0	7.57	3.07	7.99	3.12	8.40	3.16	8.61	3.19	9.23	3.26	9.65	3.31
	43.0	7.32	3.18	7.73	3.23	8.15	3.28	8.36	3.30	8.98	3.38	9.40	3.42
	46.0	6.98	3.03	7.35	3.03	7.71	3.03	7.89	3.03	8.41	3.03	8.75	3.03
2.0+2.0+2.0+2.0+2.5	22.0	9.30	2.58	9.73	2.63	10.16	2.68	10.37	2.71	11.01	2.78	11.44	2.83
	25.0	9.05	2.67	9.47	2.72	9.90	2.77	10.11	2.80	10.75	2.87	11.18	2.92
	32.0	8.44	2.91	8.87	2.96	9.30	3.01	9.51	3.03	10.15	3.11	10.57	3.16
	35.0	8.18	3.02	8.61	3.07	9.04	3.12	9.25	3.14	9.89	3.22	10.32	3.27
	40.0	7.75	3.21	8.18	3.26	8.61	3.31	8.82	3.34	9.46	3.41	9.88	3.46
	43.0	7.50	3.33	7.92	3.38	8.35	3.43	8.56	3.46	9.20	3.53	9.63	3.58
	46.0	7.12	3.03	7.49	3.03	7.85	3.03	8.03	3.03	8.55	3.03	8.89	3.03
2.0+2.0+2.0+2.0+3.5	22.0	9.70	2.82	10.14	2.87	10.58	2.93	10.81	2.96	11.47	3.04	11.92	3.09
	25.0	9.43	2.92	9.87	2.97	10.32	3.03	10.54	3.06	11.20	3.14	11.65	3.19
	32.0	8.80	3.18	9.24	3.23	9.69	3.29	9.91	3.31	10.58	3.40	11.02	3.45
	35.0	8.53	3.30	8.97	3.35	9.42	3.41	9.64	3.43	10.31	3.52	10.75	3.57
	40.0	8.08	3.51	8.52	3.56	8.97	3.62	9.19	3.64	9.88	3.73	10.29	3.75
	43.0	7.81	3.60	8.25	3.60	8.67	3.60	8.88	3.60	9.50	3.60	9.90	3.60
	46.0	7.41	3.03	7.77	3.03	8.13	3.03	8.31	3.03	8.82	3.03	9.16	3.03

3D059286

NOTES

- Capacities are based on following conditions
Corresponding refrigerant piping length : 5.0m
Level difference : 0m
- The bold line **□** is indicated the standard condition.
- The above is the value for connecting with the following indoor units.
2.0, 2.5, 3.5, 4.2, 5.0 kW class; wall mounted G series
6.0, 7.1 kW class; wall mounted F series

SYMBOLS

- TC : Total cooling capacity (kW)
PI : Power input (kW)

5 Capacity tables

5 - 2 Cooling capacity tables

5MK590E

Cooling [50Hz 230V]

Combination (Capacity)	Outdoor air temp. °CDB	Indoor air temp.: °CWB											
		14°C		16°C		18°C		19°C		22°C		24°C	
		TC kW	PI kW	TC kW	PI kW	TC kW	PI kW	TC kW	PI kW	TC kW	PI kW	TC kW	PI kW
2.0+2.0+2.0+2.5+4.2	22.0	9.74	2.83	10.18	2.88	10.63	2.94	10.85	2.96	11.52	3.05	11.97	3.10
	25.0	9.47	2.93	9.91	2.98	10.36	3.04	10.58	3.07	11.25	3.15	11.70	3.20
	32.0	8.84	3.19	9.28	3.24	9.73	3.30	9.95	3.32	10.62	3.41	11.07	3.46
	35.0	8.57	3.31	9.01	3.36	9.46	3.42	9.68	3.44	10.35	3.53	10.79	3.58
	40.0	8.11	3.52	8.56	3.57	9.01	3.63	9.23	3.65	9.90	3.74	10.33	3.75
	43.0	7.84	3.60	8.28	3.60	8.71	3.60	8.92	3.60	9.54	3.60	9.94	3.60
	46.0	7.44	3.03	7.80	3.03	8.16	3.03	8.33	3.03	8.85	3.03	9.19	3.03
2.0+2.0+2.0+2.5+5.0	22.0	9.91	2.84	10.36	2.90	10.82	2.95	11.04	2.98	11.72	3.06	12.18	3.12
	25.0	9.63	2.95	10.09	3.00	10.54	3.06	10.77	3.08	11.45	3.17	11.90	3.22
	32.0	8.99	3.21	9.44	3.26	9.90	3.32	10.13	3.34	10.81	3.43	11.26	3.48
	35.0	8.72	3.33	9.17	3.38	9.62	3.44	9.85	3.46	10.53	3.55	10.98	3.60
	40.0	8.26	3.54	8.71	3.59	9.16	3.65	9.39	3.68	10.07	3.75	10.50	3.75
	43.0	7.98	3.60	8.42	3.60	8.85	3.60	9.06	3.60	9.69	3.60	10.09	3.60
	46.0	7.55	3.03	7.92	3.03	8.28	3.03	8.45	3.03	8.98	3.03	9.32	3.03
2.0+2.0+2.0+2.5+6.0	22.0	10.36	2.90	10.84	2.96	11.31	3.01	11.55	3.04	12.26	3.13	12.73	3.18
	25.0	10.07	3.01	10.55	3.06	11.02	3.12	11.26	3.15	11.97	3.23	12.45	3.29
	32.0	9.40	3.27	9.88	3.33	10.35	3.38	10.59	3.41	11.30	3.50	11.77	3.55
	35.0	9.11	3.39	9.59	3.45	10.06	3.51	10.30	3.53	11.01	3.62	11.49	3.67
	40.0	8.63	3.61	9.11	3.67	9.58	3.72	9.82	3.75	10.49	3.75	10.93	3.75
	43.0	8.34	3.60	8.79	3.60	9.23	3.60	9.45	3.60	10.08	3.60	10.50	3.60
	46.0	7.84	3.03	8.22	3.03	8.59	3.03	8.77	3.03	9.30	3.03	9.65	3.03
2.0+2.0+2.0+2.5+7.1	22.0	10.56	3.04	11.05	3.10	11.53	3.16	11.77	3.19	12.50	3.28	12.98	3.34
	25.0	10.27	3.15	10.75	3.21	11.24	3.27	11.48	3.30	12.20	3.39	12.69	3.45
	32.0	9.58	3.43	10.07	3.49	10.55	3.55	10.79	3.58	11.52	3.66	12.00	3.72
	35.0	9.29	3.56	9.77	3.62	10.26	3.67	10.50	3.70	11.23	3.79	11.71	3.85
	40.0	8.80	3.75	9.27	3.75	9.73	3.75	9.96	3.75	10.62	3.75	11.06	3.75
	43.0	8.50	3.60	8.95	3.60	9.39	3.60	9.61	3.60	10.24	3.60	10.66	3.60
	46.0	8.01	3.03	8.38	3.03	8.75	3.03	8.93	3.03	9.46	3.03	9.81	3.03
2.0+2.0+2.0+3.5+3.5	22.0	9.51	2.70	9.94	2.76	10.38	2.81	10.59	2.84	11.25	2.91	11.68	2.97
	25.0	9.24	2.80	9.68	2.85	10.11	2.91	10.33	2.93	10.98	3.01	11.42	3.06
	32.0	8.63	3.05	9.06	3.10	9.50	3.15	9.71	3.18	10.37	3.26	10.80	3.31
	35.0	8.36	3.16	8.80	3.21	9.23	3.27	9.45	3.29	10.10	3.37	10.54	3.43
	40.0	7.92	3.36	8.36	3.42	8.79	3.47	9.01	3.50	9.66	3.57	10.10	3.63
	43.0	7.66	3.49	8.09	3.54	8.53	3.60	8.74	3.60	9.36	3.60	9.76	3.60
	46.0	7.26	3.03	7.63	3.03	7.99	3.03	8.16	3.03	8.68	3.03	9.02	3.03
2.0+2.0+2.0+3.5+4.2	22.0	9.75	2.83	10.19	2.88	10.64	2.94	10.86	2.96	11.53	3.05	11.98	3.10
	25.0	9.48	2.93	9.92	2.98	10.37	3.04	10.59	3.07	11.26	3.15	11.71	3.20
	32.0	8.84	3.19	9.29	3.24	9.74	3.30	9.96	3.32	10.63	3.41	11.08	3.46
	35.0	8.57	3.31	9.02	3.36	9.47	3.42	9.69	3.44	10.36	3.53	10.81	3.58
	40.0	8.12	3.52	8.57	3.57	9.02	3.63	9.24	3.65	9.91	3.74	10.34	3.75
	43.0	7.85	3.60	8.29	3.60	8.72	3.60	8.93	3.60	9.55	3.60	9.95	3.60
	46.0	7.44	3.03	7.81	3.03	8.16	3.03	8.34	3.03	8.86	3.03	9.20	3.03

3D059287

NOTES

- Capacities are based on following conditions
Corresponding refrigerant piping length : 5.0m
Level difference : 0m
- The bold line [] is indicated the standard condition.
- The above is the value for connecting with the following indoor units.
2.0, 2.5, 3.5, 4.2, 5.0 kW class; wall mounted G series
6.0, 7.1 kW class; wall mounted F series

SYMBOLS

- TC : Total cooling capacity (kW)
PI : Power input (kW)

5 Capacity tables

5 - 2 Cooling capacity tables

5MK90E
Cooling [50Hz 230V]

Combination (Capacity)	Outdoor air temp. °CDB	Indoor air temp.: °CWB											
		14°C		16°C		18°C		19°C		22°C		24°C	
		TC kW	PI kW	TC kW	PI kW	TC kW	PI kW	TC kW	PI kW	TC kW	PI kW	TC kW	PI kW
2.0+2.0+2.5+2.5+4.2	22.0	9.74	2.83	10.18	2.88	10.63	2.94	10.85	2.96	11.52	3.05	11.97	3.10
	25.0	9.47	2.93	9.91	2.98	10.36	3.04	10.58	3.07	11.25	3.15	11.70	3.20
	32.0	8.84	3.19	9.28	3.24	9.73	3.30	9.95	3.32	10.62	3.41	11.07	3.46
	35.0	8.57	3.31	9.01	3.36	9.46	3.42	9.68	3.44	10.35	3.53	10.79	3.58
	40.0	8.11	3.52	8.56	3.57	9.01	3.63	9.23	3.65	9.90	3.74	10.33	3.75
	43.0	7.84	3.60	8.28	3.60	8.71	3.60	8.92	3.60	9.54	3.60	9.94	3.60
	46.0	7.44	3.03	7.80	3.03	8.16	3.03	8.33	3.03	8.85	3.03	9.19	3.03
2.0+2.0+2.5+2.5+5.0	22.0	9.91	2.84	10.36	2.90	10.82	2.95	11.04	2.98	11.72	3.06	12.18	3.12
	25.0	9.63	2.95	10.09	3.00	10.54	3.06	10.77	3.08	11.45	3.17	11.90	3.22
	32.0	8.99	3.21	9.44	3.26	9.90	3.32	10.13	3.34	10.81	3.43	11.26	3.48
	35.0	8.72	3.33	9.17	3.38	9.62	3.44	9.85	3.46	10.53	3.55	10.98	3.60
	40.0	8.26	3.54	8.71	3.59	9.16	3.65	9.39	3.68	10.07	3.75	10.50	3.75
	43.0	7.98	3.60	8.42	3.60	8.85	3.60	9.06	3.60	9.69	3.60	10.09	3.60
	46.0	7.55	3.03	7.92	3.03	8.28	3.03	8.45	3.03	8.98	3.03	9.32	3.03
2.0+2.0+2.5+2.5+6.0	22.0	10.51	3.03	10.99	3.09	11.47	3.15	11.72	3.18	12.44	3.27	12.92	3.33
	25.0	10.22	3.14	10.70	3.20	11.18	3.26	11.42	3.29	12.15	3.38	12.63	3.44
	32.0	9.54	3.42	10.02	3.48	10.50	3.54	10.74	3.57	11.46	3.65	11.95	3.71
	35.0	9.25	3.55	9.73	3.61	10.21	3.66	10.45	3.69	11.17	3.78	11.65	3.84
	40.0	8.76	3.75	9.23	3.75	9.69	3.75	9.91	3.75	10.58	3.75	11.01	3.75
	43.0	8.47	3.60	8.91	3.60	9.35	3.60	9.57	3.60	10.20	3.60	10.61	3.60
	46.0	7.97	3.03	8.35	3.03	8.72	3.03	8.90	3.03	9.43	3.03	9.77	3.03
2.0+2.0+2.5+3.5+3.5	22.0	9.74	2.83	10.18	2.88	10.63	2.94	10.85	2.96	11.52	3.05	11.97	3.10
	25.0	9.47	2.93	9.91	2.98	10.36	3.04	10.58	3.07	11.25	3.15	11.70	3.20
	32.0	8.84	3.19	9.28	3.24	9.73	3.30	9.95	3.32	10.62	3.41	11.07	3.46
	35.0	8.57	3.31	9.01	3.36	9.46	3.42	9.68	3.44	10.35	3.53	10.79	3.58
	40.0	8.11	3.52	8.56	3.57	9.01	3.63	9.23	3.65	9.90	3.74	10.33	3.75
	43.0	7.84	3.60	8.28	3.60	8.71	3.60	8.92	3.60	9.54	3.60	9.94	3.60
	46.0	7.44	3.03	7.80	3.03	8.16	3.03	8.33	3.03	8.85	3.03	9.19	3.03
2.0+2.0+2.5+3.5+4.2	22.0	9.75	2.83	10.19	2.88	10.64	2.94	10.86	2.96	11.53	3.05	11.98	3.10
	25.0	9.48	2.93	9.92	2.98	10.37	3.04	10.59	3.07	11.26	3.15	11.71	3.20
	32.0	8.84	3.19	9.29	3.24	9.74	3.30	9.96	3.32	10.63	3.41	11.08	3.46
	35.0	8.57	3.31	9.02	3.36	9.47	3.42	9.69	3.44	10.36	3.53	10.81	3.58
	40.0	8.12	3.52	8.57	3.57	9.02	3.63	9.24	3.65	9.91	3.74	10.34	3.75
	43.0	7.85	3.60	8.29	3.60	8.72	3.60	8.93	3.60	9.55	3.60	9.95	3.60
	46.0	7.44	3.03	7.81	3.03	8.16	3.03	8.34	3.03	8.86	3.03	9.20	3.03
2.0+2.0+2.5+3.5+5.0	22.0	10.48	3.50	10.86	3.57	11.44	3.64	11.68	3.67	12.40	3.77	12.88	3.84
	25.0	10.19	3.63	10.67	3.69	11.15	3.76	11.39	3.80	12.11	3.90	12.59	3.97
	32.0	9.51	3.95	9.99	4.01	10.47	4.08	10.71	4.12	11.42	4.18	11.88	4.18
	35.0	9.22	4.02	9.70	4.02	10.18	4.02	10.41	4.02	11.09	4.02	11.53	4.02
	40.0	8.73	3.75	9.21	3.75	9.69	3.75	9.93	3.75	10.61	3.75	11.02	3.75
	43.0	8.44	3.60	8.92	3.60	9.40	3.60	9.64	3.60	10.35	3.60	10.75	3.60
	46.0	8.15	3.03	8.63	3.03	8.99	3.03	9.16	3.03	9.66	3.03	9.99	3.03

3D059288

NOTES

- Capacities are based on following conditions
Corresponding refrigerant piping length : 5.0m
Level difference : 0m
- The bold line **□** is indicated the standard condition.
- The above is the value for connecting with the following indoor units.
2.0, 2.5, 3.5, 4.2, 5.0 kW class; wall mounted G series
6.0, 7.1 kW class; wall mounted F series

SYMBOLS

- TC : Total cooling capacity (kW)
PI : Power input (kW)

5 Capacity tables

5 - 2 Cooling capacity tables

5MK590E

Cooling [50Hz 230V]

Combination (Capacity)	Outdoor air temp. °CDB	Indoor air temp.: °CWB											
		14°C		16°C		18°C		19°C		22°C		24°C	
		TC kW	PI kW	TC kW	PI kW	TC kW	PI kW	TC kW	PI kW	TC kW	PI kW	TC kW	PI kW
2.0+2.5+2.5+2.5+5.0	22.0	9.91	2.84	10.88	2.90	10.82	2.95	11.04	2.98	11.72	3.08	12.18	3.12
	25.0	9.63	2.95	10.09	3.00	10.54	3.06	10.77	3.08	11.45	3.17	11.90	3.22
	32.0	8.99	3.21	9.44	3.26	9.90	3.32	10.13	3.34	10.81	3.43	11.26	3.48
	35.0	8.72	3.33	9.17	3.38	9.62	3.44	9.85	3.46	10.53	3.55	10.98	3.60
	40.0	8.26	3.54	8.71	3.59	9.16	3.65	9.39	3.68	10.07	3.75	10.50	3.75
	43.0	7.98	3.60	8.42	3.60	8.85	3.60	9.06	3.60	9.69	3.60	10.09	3.60
	46.0	7.55	3.03	7.92	3.03	8.28	3.03	8.45	3.03	8.98	3.03	9.32	3.03
2.0+2.5+2.5+2.5+6.0	22.0	10.55	3.10	11.04	3.18	11.52	3.22	11.76	3.25	12.48	3.34	12.97	3.40
	25.0	10.26	3.21	10.74	3.27	11.23	3.33	11.47	3.36	12.19	3.45	12.68	3.51
	32.0	9.57	3.49	10.06	3.55	10.54	3.61	10.78	3.64	11.51	3.73	11.99	3.79
	35.0	9.28	3.62	9.77	3.68	10.25	3.74	10.49	3.77	11.21	3.86	11.70	3.92
	40.0	8.79	3.75	9.26	3.75	9.71	3.75	9.94	3.75	10.60	3.75	11.03	3.75
	43.0	8.50	3.60	8.96	3.60	9.39	3.60	9.61	3.60	10.24	3.60	10.65	3.60
	46.0	8.03	3.03	8.40	3.03	8.76	3.03	8.94	3.03	9.47	3.03	9.82	3.03
2.0+2.5+2.5+3.5+3.5	22.0	9.74	2.83	10.18	2.88	10.63	2.94	10.85	2.96	11.52	3.05	11.97	3.10
	25.0	9.47	2.93	9.91	2.98	10.36	3.04	10.58	3.07	11.25	3.15	11.70	3.20
	32.0	8.84	3.19	9.28	3.24	9.73	3.30	9.95	3.32	10.62	3.41	11.07	3.46
	35.0	8.57	3.31	9.01	3.36	9.46	3.42	9.68	3.44	10.35	3.53	10.79	3.58
	40.0	8.11	3.52	8.56	3.57	9.01	3.63	9.23	3.65	9.90	3.74	10.33	3.75
	43.0	7.84	3.60	8.28	3.60	8.71	3.60	8.92	3.60	9.54	3.60	9.94	3.60
	46.0	7.44	3.03	7.80	3.03	8.16	3.03	8.33	3.03	8.85	3.03	9.19	3.03
2.0+2.5+2.5+3.5+4.2	22.0	10.14	3.21	10.60	3.27	11.07	3.33	11.30	3.36	12.00	3.45	12.46	3.52
	25.0	9.86	3.32	10.32	3.38	10.78	3.45	11.02	3.48	11.72	3.57	12.18	3.63
	32.0	9.20	3.61	9.67	3.68	10.13	3.74	10.36	3.77	11.06	3.86	11.52	3.92
	35.0	8.92	3.75	9.38	3.81	9.85	3.87	10.08	3.90	10.78	4.00	11.23	4.02
	40.0	8.45	3.75	8.91	3.75	9.37	3.75	9.58	3.75	10.22	3.75	10.63	3.75
	43.0	8.17	3.60	8.63	3.60	9.10	3.60	9.32	3.60	9.92	3.60	10.32	3.60
	46.0	7.86	3.03	8.22	3.03	8.57	3.03	8.74	3.03	9.25	3.03	9.58	3.03
2.0+2.5+2.5+3.5+5.0	22.0	10.48	3.50	10.96	3.57	11.44	3.64	11.68	3.67	12.40	3.77	12.88	3.84
	25.0	10.19	3.63	10.67	3.69	11.15	3.76	11.39	3.80	12.11	3.90	12.59	3.97
	32.0	9.51	3.95	9.99	4.01	10.47	4.08	10.71	4.12	11.42	4.18	11.88	4.18
	35.0	9.22	4.02	9.70	4.02	10.18	4.02	10.41	4.02	11.09	4.02	11.53	4.02
	40.0	8.73	3.75	9.21	3.75	9.69	3.75	9.93	3.75	10.61	3.75	11.02	3.75
	43.0	8.44	3.60	8.92	3.60	9.40	3.60	9.64	3.60	10.35	3.60	10.75	3.60
	46.0	8.15	3.03	8.63	3.03	8.99	3.03	9.16	3.03	9.66	3.03	9.99	3.03
2.0+2.5+2.5+4.2+4.2	22.0	10.15	3.21	10.61	3.27	11.08	3.33	11.31	3.36	12.01	3.45	12.47	3.52
	25.0	9.87	3.32	10.33	3.38	10.80	3.45	11.03	3.48	11.73	3.57	12.19	3.63
	32.0	9.21	3.61	9.67	3.68	10.14	3.74	10.37	3.77	11.07	3.86	11.53	3.92
	35.0	8.93	3.75	9.39	3.81	9.86	3.87	10.09	3.90	10.79	4.00	11.24	4.02
	40.0	8.46	3.75	8.92	3.75	9.38	3.75	9.59	3.75	10.23	3.75	10.64	3.75
	43.0	8.18	3.60	8.64	3.60	9.11	3.60	9.32	3.60	9.93	3.60	10.33	3.60
	46.0	7.87	3.03	8.23	3.03	8.58	3.03	8.75	3.03	9.26	3.03	9.59	3.03

3D059289

NOTES

- Capacities are based on following conditions
Corresponding refrigerant piping length : 5.0m
Level difference : 0m
- The bold line [] is indicated the standard condition.
- The above is the value for connecting with the following indoor units.
2.0, 2.5, 3.5, 4.2, 5.0 kW class; wall mounted G series
6.0, 7.1 kW class; wall mounted F series

SYMBOLS

- TC : Total cooling capacity (kW)
PI : Power input (kW)

5 Capacity tables

5 - 2 Cooling capacity tables

5MKS90E

Cooling [50Hz 230V]

Combination (Capacity)	Outdoor air temp. °CDB	Indoor air temp.: °CWB											
		14°C		16°C		18°C		19°C		22°C		24°C	
		TC kW	PI kW	TC kW	PI kW	TC kW	PI kW	TC kW	PI kW	TC kW	PI kW	TC kW	PI kW
2.5+2.5+2.5+3.5+4.2	22.0	10.14	3.21	10.60	3.27	11.07	3.33	11.30	3.36	12.00	3.45	12.46	3.52
	25.0	9.86	3.32	10.32	3.38	10.79	3.45	11.02	3.48	11.72	3.57	12.18	3.63
	32.0	9.20	3.61	9.67	3.68	10.13	3.74	10.36	3.77	11.06	3.86	11.52	3.92
	35.0	8.92	3.75	9.38	3.81	9.85	3.87	10.08	3.90	10.78	4.00	11.23	4.02
	40.0	8.45	3.75	8.91	3.75	9.37	3.75	9.58	3.75	10.22	3.75	10.63	3.75
	43.0	8.17	3.60	8.63	3.60	9.10	3.60	9.32	3.60	9.92	3.60	10.32	3.60
	46.0	7.86	3.03	8.22	3.03	8.57	3.03	8.74	3.03	9.25	3.03	9.58	3.03
2.5+2.5+3.5+3.5+3.5	22.0	10.18	3.27	10.65	3.33	11.11	3.40	11.35	3.43	12.04	3.53	12.51	3.59
	25.0	9.90	3.39	10.36	3.45	10.83	3.52	11.06	3.55	11.76	3.64	12.23	3.71
	32.0	9.24	3.69	9.70	3.75	10.17	3.81	10.40	3.85	11.10	3.94	11.57	4.01
	35.0	8.95	3.83	9.42	3.89	9.89	3.95	10.12	3.98	10.80	4.02	11.25	4.02
	40.0	8.48	3.75	8.95	3.75	9.42	3.75	9.63	3.75	10.27	3.75	10.68	3.75
	43.0	8.20	3.60	8.67	3.60	9.13	3.60	9.37	3.60	9.98	3.60	10.38	3.60
	46.0	7.92	3.03	8.29	3.03	8.64	3.03	8.81	3.03	9.31	3.03	9.64	3.03

1
5

NOTES

- Capacities are based on following conditions
Corresponding refrigerant piping length : 5.0m
Level difference : 0m
- The bold line is indicated the standard condition.
- The above is the value for connecting with the following indoor units.
2.0, 2.5, 3.5, 4.2, 5.0 kW class; wall mounted G series
6.0, 7.1 kW class; wall mounted F series

SYMBOLS

- TC : Total cooling capacity (kW)
PI : Power input (kW)

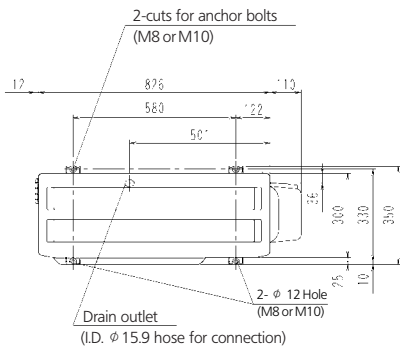
3D059290

6 Dimensional drawing & centre of gravity

6 - 1 Dimensional drawing

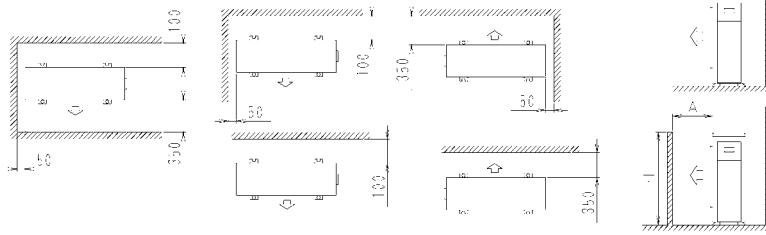
3MKS50E

unit (mm)



Minimum space for air passage

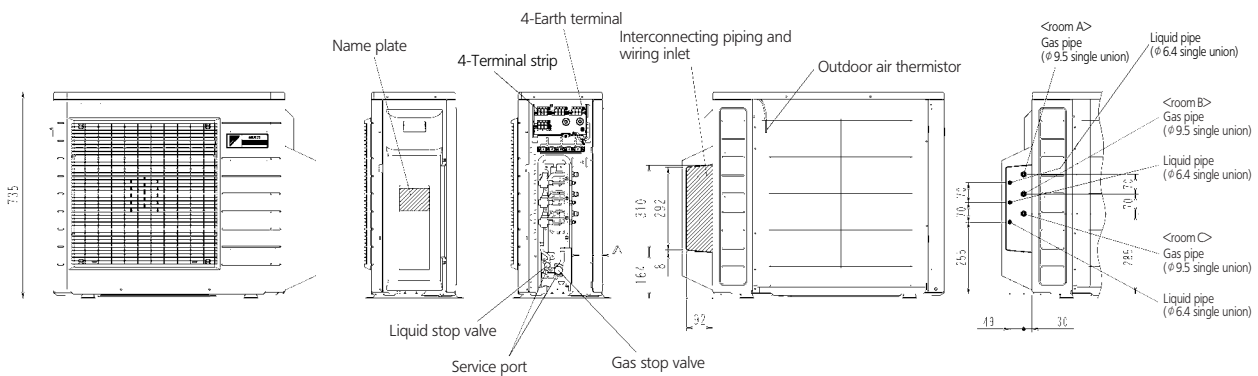
Wall height on air outlet side = less than 1200



		A
Liquid	ϕ 6.4	95
Gas	ϕ 9.5	85

DIMENSIONS A	
H \leq 1200	350
H > 1200	600

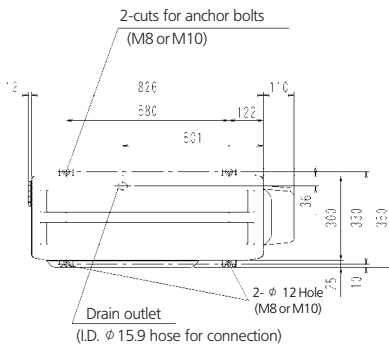
Installation space for discharge side (mm)



3D051792

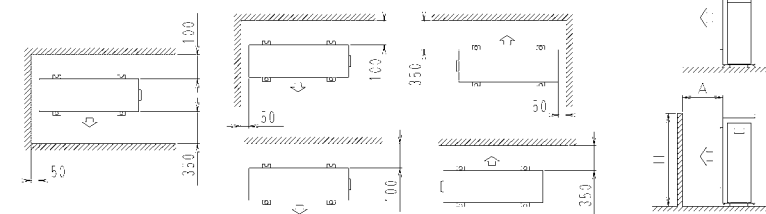
4MKS58E

unit (mm)



Minimum space for air passage

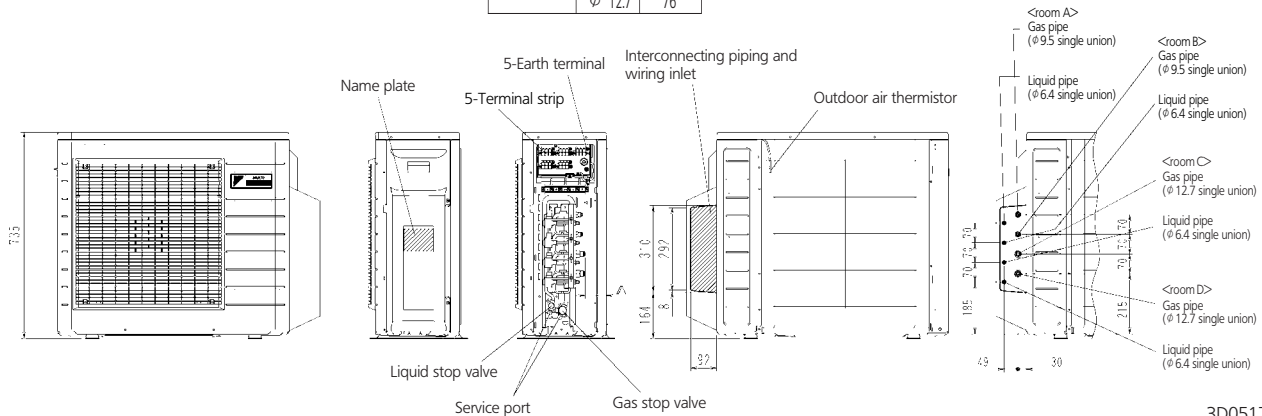
Wall height on air outlet side = less than 1200



		A
Liquid	ϕ 6.4	95
Gas	ϕ 9.5	85
Gas	ϕ 12.7	76

DIMENSIONS A	
H \leq 1200	350
H > 1200	600

Installation space for discharge side (mm)



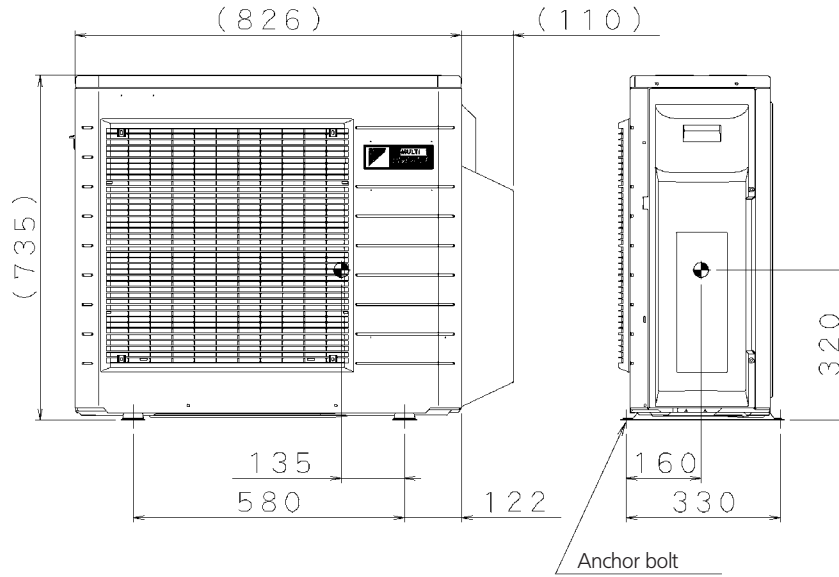
3D051793

6 Dimensional drawing & centre of gravity

6 - 2 Centre of gravity

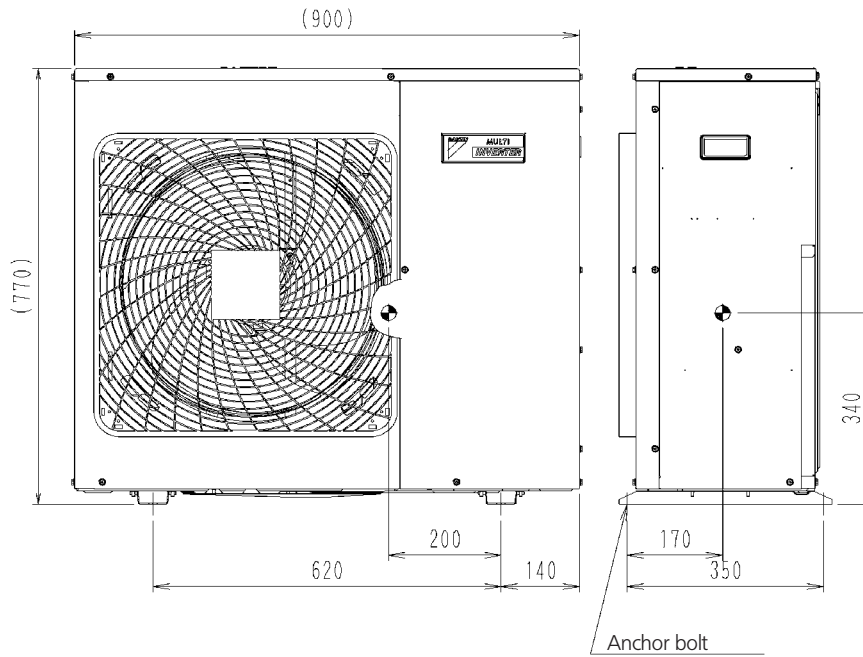
1
6

3MKS50E, 4MKS58E, 4MKS75E



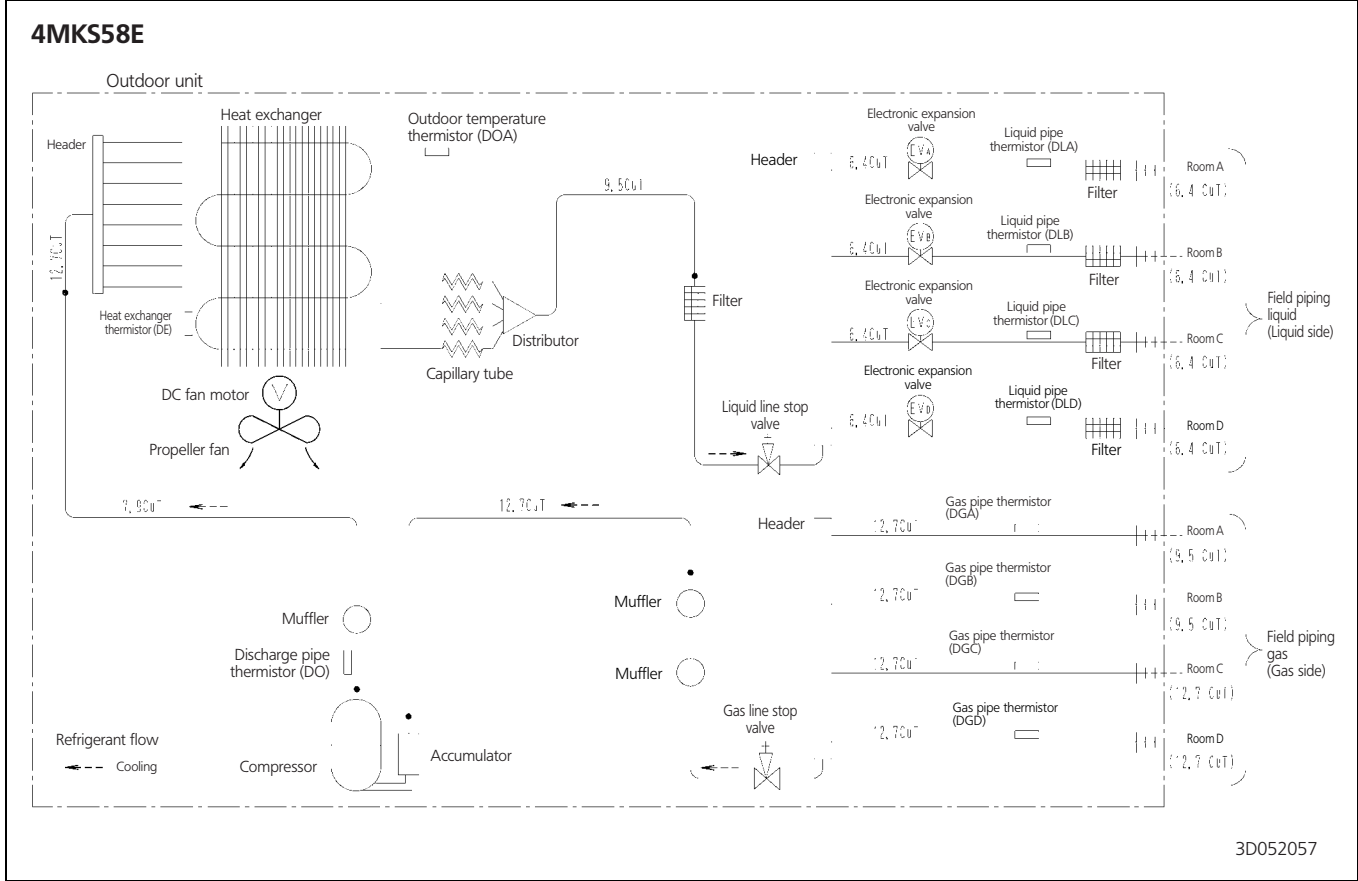
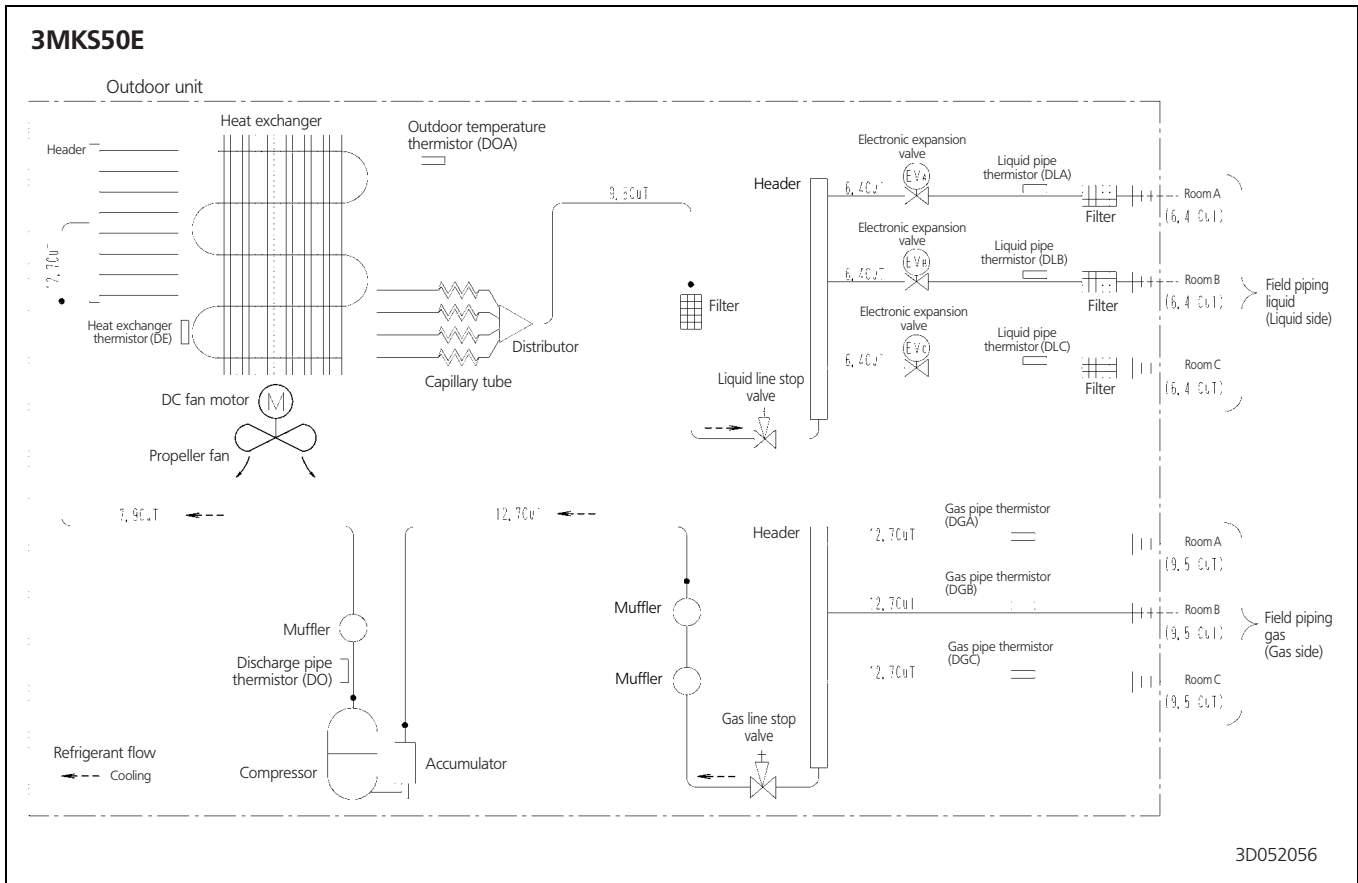
4D037024J

5MKS90E



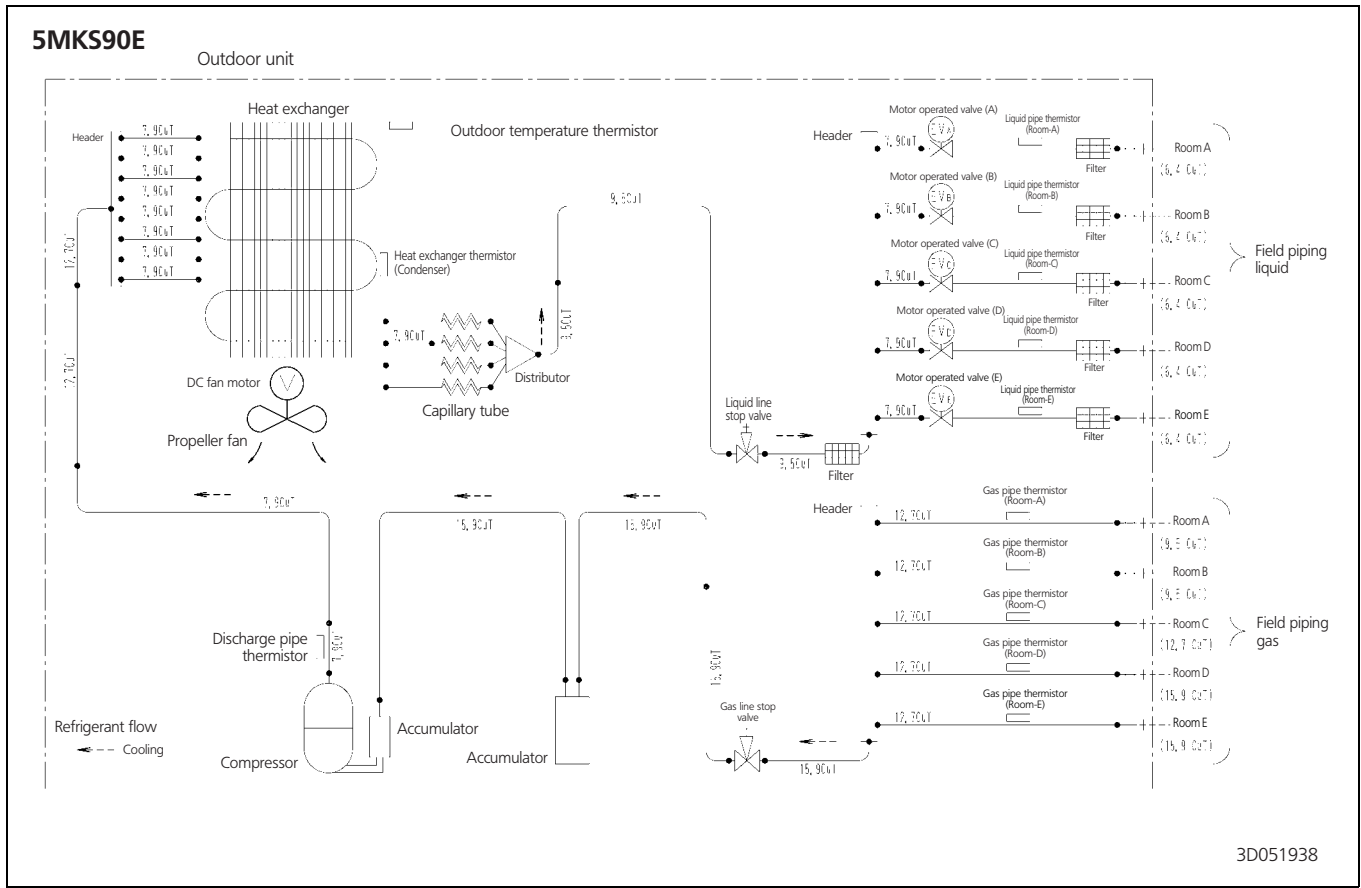
4D052060

7 Piping diagram



7 Piping diagram

1
7

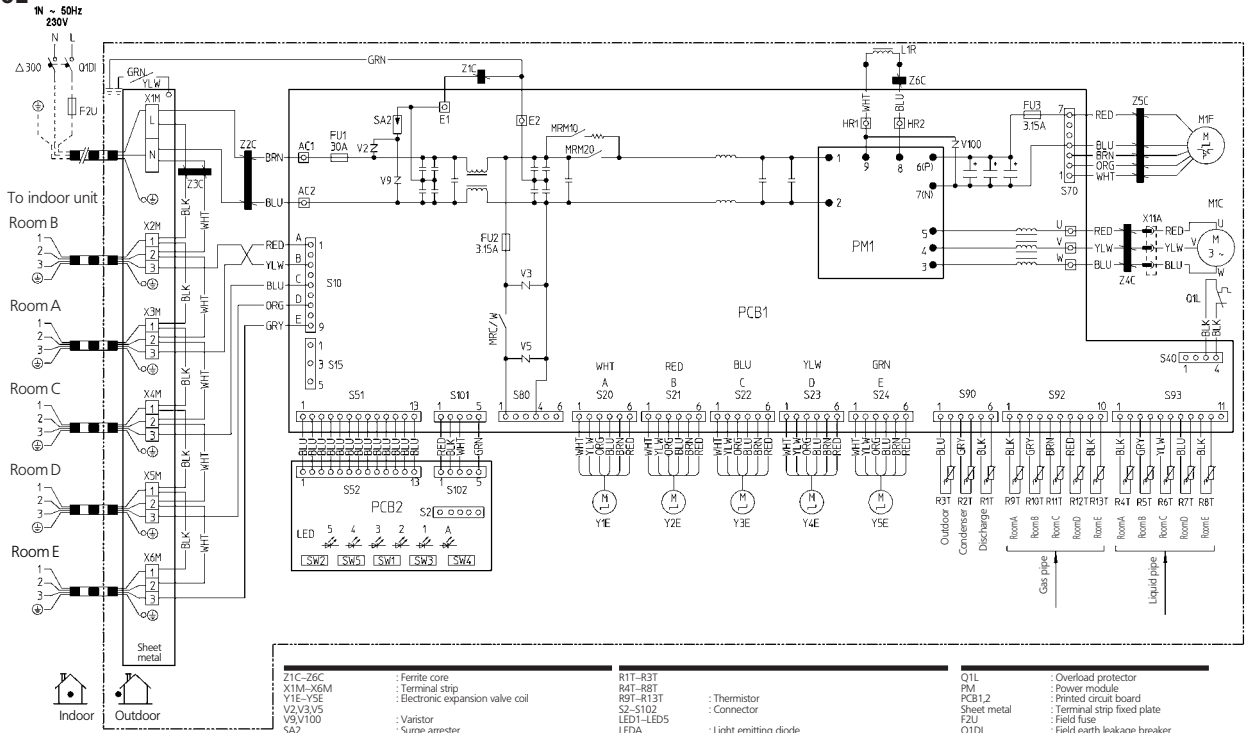


8 Wiring diagram

8 - 1 Wiring diagram

5MKS90E

BLK: Black
 BRN: brown
 WHT: White
 RED: Red
 BLU: Blue
 GRY: Grey
 ORG: Orange
 YLW: Yellow
 GRN: Green



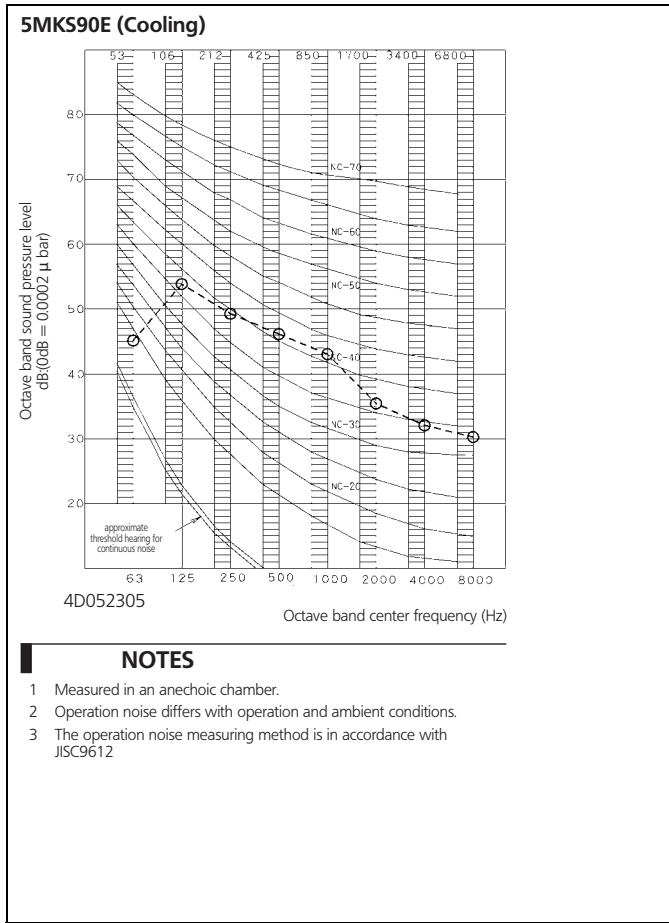
L: Live, N: Neutral, Field wiring
 : Terminal strip : Connector : Connection
 : Protective earth (screw) : Relay connector
 : Terminal

Z1C-Z6C	: Ferrite core	R1T-R3T		Q1L	: Overload protector
X1M-X6M	: Terminal strip	R4T-R8T		PM	: Power module
Y1E-Y5E	: Electronic expansion valve coil	R9T-R13T	: Thermistor	PCB1,2	: Printed circuit board
V2V3V5	: Varistor	S2-S102	: Connector	Sheet metal	: Terminal strip fixed plate
V8V100	: Surge arrester	LED1-LED5		F2U	: Field fuse
FU1, FU2, FU3	: Fuse	LEDA	: Light emitting diode	Q1D1	: Field earth leakage breaker (300mA)
SA2		SW1	: Forced operation on/off switch (SW1)		
AC1, AC2		SW2	: Operation mode select SW (SW2)		
UV, WX11A		SW3	: Wiring error check SW (SW3)		
E1, E2, E		SW4	: Priority room setting SW (SW4)		
HR1, HR2	: Connector	SW5	: Night quiet mode setting SW (SW5)		
MRM10, MRM20	: Magnetic relay	M1C	: Compressor motor		
M1C/W		M1F	: Fan motor		
		L1R	: Reactor		

2TW57596-1

9 Sound data

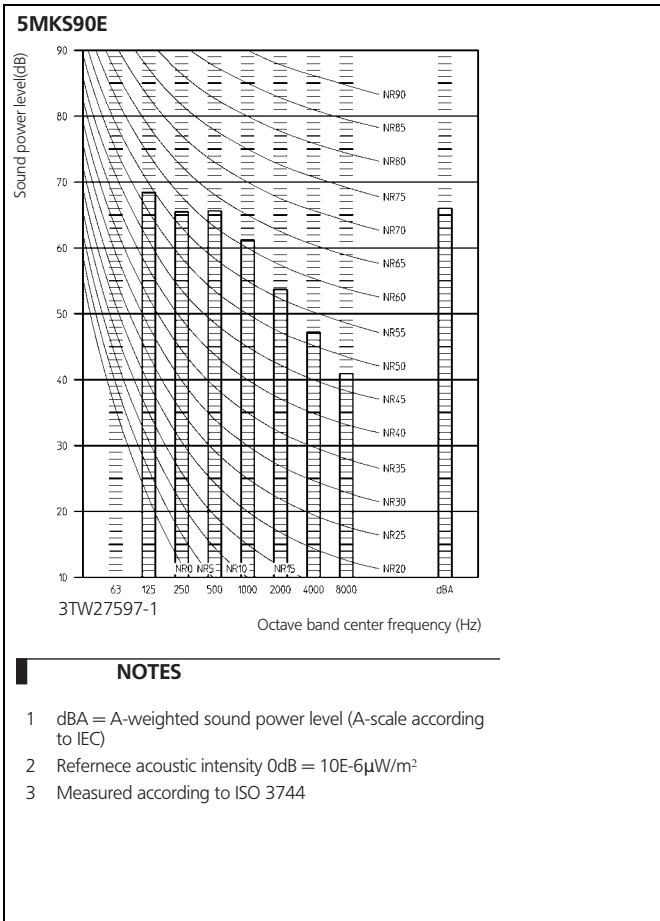
9 - 1 Sound pressure spectrum



9 Sound data

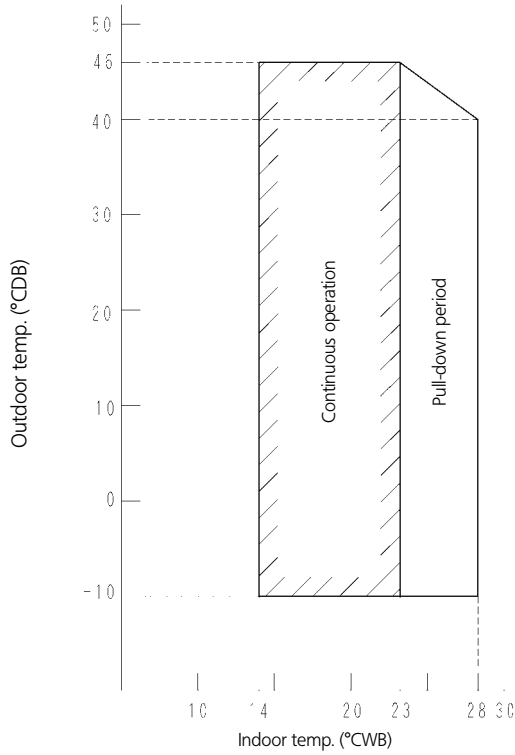
9 - 2 Sound power spectrum

1
9



10 Operation range

3MKS50E, 4MKS58E, 4MKS75E

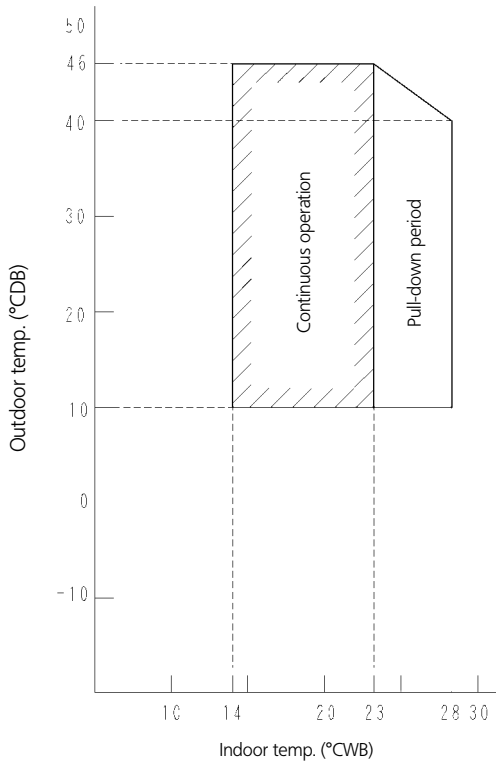


Notes:

- The graph is based on the following conditions:
- 1. Equivalent piping length 7.5 m
 - 2. Level difference 0 m
 - 3. Air flow rate high

4D034957G

5MKS90E



Notes:

- The graph is based on the following conditions:
- 1. Equivalent piping length 7.5 m
 - 2. Level difference 0 m
 - 3. Air flow rate high

4D052044

10 Operation range

1

10