



technical data



MKS-DAVMB_E2V1B_E7V3B

**Multi Application,
Inverter controlled**

air conditioning systems

Split Sky Air

TABLE OF CONTENTS

MKS-DAVMB_E2V1B_E7V3B

1	Features	2
2	Specifications	3
	Technical Specifications	3
	Electrical Specifications	4
3	Electrical data	5
4	Options	14
5	Capacity tables	15
	Combination table	15
	Cooling capacity tables	37
6	Dimensional drawing & centre of gravity	143
	Dimensional drawing	143
	Centre of gravity	146
7	Piping diagram	148
8	Wiring diagram	151
	Wiring diagram	151
9	Sound data	154
	Sound pressure spectrum	154
	Sound power spectrum	155
10	Operation range	156

1 Features

- Outdoor units for Multi model application.
- Up to 5 indoor units can be connected to 1 Multi outdoor unit. All indoor units are individually controllable with remote control and do not need to be installed in the same room or at the same time. They operate simultaneously within the same cooling operation
- It is possible to combine different types of indoor units as well. (e.g. wall mounted, ceiling mounted cassette corner, concealed ceiling unit)
- Daikin outdoor units are neat and sturdy and can be mounted easily on a roof or terrace or simply placed against an outside wall.
- Outdoor units are fitted with a swing compressor, renowned for its low noise and high energy efficiency



1

2

2 Specifications

2-1 TECHNICAL SPECIFICATIONS				2MKS40DAVMB	3MKS50E2V1B	4MKS58E2V1B	4MKS75E2V1B	5MKS90E7V3B	
Casing	Colour			Ivory White					
Dimensions	Unit	Height	mm	640	735	735	735	770	
		Width	mm	685	936	936	936	900	
		Depth	mm	285	300	300	300	320	
	Packing	Height	mm	676	797	797	784	900	
		Width	mm	800	992	992	992	925	
		Depth	mm	366	390	390	390	390	
Weight	Unit		kg	39	49	49	58	69	
	Packed Unit		kg	42	56	56	64	78	
Heat Exchanger	Dimensions	Length	mm	678	845	845	845	860	
		Nr of Rows			1	2	1	2	2
		Fin Pitch	mm	1.4	1.80	1.80	1.60	1.40	
		Nr of Stages			28	32	32	32	34
	Tube type			Hi-Xa(8)	ø7.94 grooved tubes 24	ø7.94 grooved tubes 24	Hi-Xa(8)	Hi-XSS(8)	
	Fin	Type		WF fin	Colgate fin	Colgate fin	WF fin	WF fin	
		Treatment		Anti-corrosion treatment (PE)	Anti-corrosion treatment (PE)	Anti-corrosion treatment (PE)	Anti-corrosion treatment (PE)		
Fan	Type			Propeller					
	Quantity			1	1	1	1	1	
	Air Flow Rate (nominal at 230V)	Cooling	m ³ /min	35	45.0	45.0	51.0	54.5	
		Motor			1	1	1	1	1
			Model	D50E-28	KFD-380-50-8A	KFD-380-50-8A	KFD-380-53-8C	KFD-280-66-8A	
Motor	Speed (nominal)	Cooling	rpm	880	720	720	790	860	
Fan	Motor	Output	W	50	53	53	53	66	
Compressor	Quantity				1	1	1	1	
	Motor	Model		1YC23GXD	2YC36BXD	2YC36BXD	2YC45BXD	2YC63BXD#C	
		Type			Hermetically sealed swing compressor				
		Motor Output	W	600	1100	1100	1380	1920	
Operation Range	Cooling	Min	° CDB	10	-10.0	-10.0	-10.0	-10.0	
		Max	° CDB	46	46.0	46.0	46.0	46.0	
Sound Level (nominal)	Cooling	Sound Power	dBA	62	59.0	59.0	61.0	62.0	
		Sound Pressure	dBA	47	46.0	46.0	48.0	48.0	
Sound Level (Night quiet)	Sound Pressure		dBA	43					
Refrigerant	Type			R-410A					
	Charge		kg	0.98	2.0	2.0	2.3	3.0	
Refrigerant Oil	Type			FVC50K					
	Charged Volume		l	0.40	0.65	0.65	0.75	0.75	

2 Specifications

2

2-1 TECHNICAL SPECIFICATIONS			2MKS40DAVMB	3MKS50E2V1B	4MKS58E2V1B	4MKS75E2V1B	5MKS90E7V3B	
Piping connections	Liquid (OD)	Quantity	2	3	4	4	5	
		Diameter (OD) mm	6.35	6.35	6.35	6.35	6.35	
	Gas	Quantity	2	3	2	2	2	
		Diameter (OD) mm	9.5	9.5	9.5	9.5	9.5	
		Quantity			2	1	1	
		Diameter (OD) mm			12.7	12.7	12.7	
		Quantity				1	2	
		Diameter (OD) mm				15.9	15.9	
	Drain	Quantity	1		1	1	1	
		Diameter (OD) mm	18	18	18	18	25	
	Piping Length	Minimum	m	1.5 (for one room)				
		Maximum	m	30 (for total of each room), 20 (for one room)	50 (for total of each room)/25 (for 1 room)	50 (for total of each room)/25 (for 1 room)	60 (for total of each room)/25 (for 1 room)	75 (for total of each room)/25 (for 1 room)
	Additional Refrigerant Charge	kg/m	0.02/>20	chargeless	chargeless	chargeless	chargeless	0.02/>65m
Installation height difference	Maximum	m	15 (between indoor unit and outdoor unit)					
Max. internunit level difference	m		15 (between indoor units)	15.0 (between indoor units)	15.0 (between indoor units)	15.0 (between indoor units)	7.5 (between indoor units)	
Heat Insulation	Both liquid and gas pipes							
Standard Accessories	Item	Installation manual						
	Quantity	1pc						
	Item	Screw bag	Drain plug	Drain plug	Drain plug			
	Quantity	1 pc	1pc	1pc	1pc			
	Item			Reducer assembly	Reducer assembly	Reducer assembly		
	Quantity			1set	1set	1set		
Notes	Nominal cooling capacities are based on : indoor temperature : 27°CDB, 19°CWB, outdoor temperature : 35°CDB, equivalent refrigerant piping : 7.5m, level difference : 0m.							
	Sound levels are measured in an anechoic room							
	Sound pressure level is a relative value, depending on the distance and acoustic environment. For more details, please refer to sound level drawings of this chapter.							
	The sound power level is an absolute value indicating the power which a sound source generates.							

2-2 ELECTRICAL SPECIFICATIONS			2MKS40DAVMB	3MKS50E2V1B	4MKS58E2V1B	4MKS75E2V1B	5MKS90E7V3B	
Power Supply	Name		VM	V1	V1	V1	V3	
	Phase		1	1	1	1	1	
	Frequency	Hz	50/60	50	50	50	50	
	Voltage	V	220-240/220-230	220-240	220-240	220-240	220-240	
	Voltage range	Minimum	V	-10%				
		Maximum	V	+10%				
Current	Starting current (cooling/heating)	A	5.6	5.3	6.7	8.7	11.4	
Wiring connections	For Power Supply	Quantity	3	3	3	3	4	
	For connection with indoor	Quantity	4	4	4	4	5	
Power Supply Intake			Outdoor unit only					

3 Electrical data

2MKS40DVMB

Cooling (50Hz 230V)

Combination	Units				Power supply		Comp.	OFM		IFM	
	Hz	Volts	Min.	Max.	MCA	MFA	RLA	W	FLA	W	FLA
2.0	50	230	207	253	3.4	12	2.3	50	0.40	40	0.17
2.5					4.7		3.0			40	0.17
3.5					6.5		4.6			40	0.17
2.0+2.0					6.7		4.9			80	0.34
2.0+2.5					6.7		5.0			80	0.34
2.0+3.5					6.8		5.0			80	0.34
2.5+2.5					6.8		5.0			80	0.34
2.5+3.5					6.8		5.0			80	0.34

3D040487

SYMBOLS

- MCA : Min. Circuit Amps (A)
- MFA : Max. Fuse Amps (A)
- RLA : Rated Load Amps (A)
- OFM : Outdoor Fan Motor
- IFM : Indoor Fan Motor
- FLA : Full Load Amps (A)
- W : Fan Motor Rated Output (W)

NOTES

1. RLA is based on the following conditions:
Power supply: 50Hz 230V
Cooling
Indoor temp.: 27°CDB/19.0°CWB
Outdoor temp. : 35°CDB
2. Maximum allowable voltage unbalance between phases is 2%
3. Select wire size based on the larger value of MCA.
4. Instead of fuse, use circuit breaker
5. For more details concerning conditional connections, see <http://eu.extranet.daikineurope.com>, select "E-Data Books". Finally, click on the document title of your choice.

3 Electrical data

3

3MKS50E, 4MKS58E

Model		Units				Power supply		Comp.		OFM	
Outdoor	H/P C/D	Hz	Volts	Min.	Max.	MCA	MFA	MSC	RLA	W	FLA
4MKS58E2V1B	C/D	50	220	198	242	18	20	6.7	6.08	44	0.30
			230	207	253			6.7	6.08		
			240	216	264			6.7	6.08		
3MKS50E2V1B	C/D	50	220	198	242	18	20	5.3	4.75	44	0.30
			230	207	253			5.3	4.75		
			240	216	264			5.3	4.75		

3D052808

SYMBOLS

- MCA : Min. Circuit Amps (A)
- MFA : Max. Fuse Amps (See note 6). (A)
- MSC : MSC means the max. current during the starting of compressor. (A)
- RLA : Rated Load Amps (A)
- OFM : Outdoor Fan Motor
- FLA : Full Load Amps (A)
- W : Fan Motor Rated Output (W)

NOTES

1. RLA is based on the following conditions:
Cooling
Indoor temp.: 27°CDB/19.0°CWB
Outdoor temp. : 35°CDB
2. Voltage range
Units are suitable for use on electrical systems where voltage supplied to unit terminals is not below or above listed operation range limits
3. Maximum allowable voltage variation between phases is 2%
4. MCA represents maximum input current.
MFA represents capacity which may accept MCA
5. Select wire size based on the larger value of MCA.
6. MFA is used to select the circuit breaker and the ground fault circuit interrupter (earth leakage circuit breaker)
7. For more details concerning conditional connections, see <http://extranet.daikineurope.com>, select "E-Data Books". Finally, click on the document title of your choice.

3 Electrical data

4MKS75E

Cooling (50Hz 230V)

Combination	Units				Power supply		Comp.	OFM		IFM	
	Hz	Volts	Min.	Max.	MCA	MFA	RLA	W	FLA	W	FLA
2.0	50	230	207	253	3.9	20	2.0	68	0.41	40	0.17
2.5					4.5		2.7			40	0.17
3.5					6.6		4.2			40	0.17
5.0					9.1		7.8			40	0.17
6.0					10.2		8.8			45	0.25
7.1					12.6		12.0			50	0.28
2.0+2.0					7.4		4.9			80	0.34
2.0+2.5					8.4		5.9			80	0.34
2.0+3.5					10.5		8.2			80	0.34
2.0+5.0					12.3		10.8			80	0.34
2.0+6.0					11.6		10.2			85	0.42
2.0+7.1					13.0		11.0			90	0.45
2.5+2.5					9.3		7.0			80	0.34
2.5+3.5					11.2		9.8			80	0.34
2.5+5.0					12.7		11.2			80	0.34
2.5+6.0					12.3		10.7			85	0.42
2.5+7.1					13.5		11.7			90	0.45
3.5+3.5					14.2		11.9			80	0.34
3.5+5.0					14.0		12.4			80	0.34
3.5+6.0					13.7		12.1			85	0.42
3.5+7.1					14.4		11.6			90	0.45
5.0+5.0					14.4		12.7			80	0.34
5.0+6.0					15.1		11.9			85	0.42
5.0+7.1					15.5		11.4			90	0.45
6.0+6.0					13.8		10.4			90	0.50
6.0+7.1					14.0		10.3			95	0.53

3D050197-1B

SYMBOLS

- MCA : Min. Circuit Amps (A)
- MFA : Max. Fuse Amps (A)
- RLA : Rated Load Amps (A)
- OFM : Outdoor Fan Motor
- IFM : Indoor Fan Motor
- FLA : Full Load Amps (A)
- W : Fan Motor Rated Output (W)

NOTES

1. RLA is based on the following conditions:
Power supply: 50Hz 230V
Cooling
Indoor temp.: 27°CDB/19.0°CWB
Outdoor temp.: 35°CDB
2. Maximum allowable voltage unbalance between phases is 2%
3. Select wire size based on the larger value of MCA.
4. Instead of fuse, use circuit breaker
5. The above is the value for connecting with the following indoor units.
2.0, 2.5, 3.5, 5.0 kW class: wall mounted D series
6.0, 7.1 kW class: wall mounted B series
6. Be sure to install an earth leak detector. (One that can handle higher harmonics)
(This unit uses an inverter, which means that it must be used an earth leak detector capable handling high harmonics in order to prevent malfunctioning of the earth leak detector.)
7. For more details concerning conditional connections, see
<http://extranet.daikineurope.com>, select "E-Data Books". Finally, click on the document title of your choice.

3 Electrical data

3

4MKS75E
Cooling (50Hz 230V)

Combination	Units				Power supply		Comp.	OFM		IFM	
	Hz	Volts	Min.	Max.	MCA	MFA	RLA	W	FLA	W	FLA
2.0+2.0+2.0	50	230	207	253	9.1	20	6.8	68	0.41	120	0.51
2.0+2.0+2.5					10.1		8.3			120	0.51
2.0+2.0+3.5					11.3		9.0			120	0.51
2.0+2.0+5.0					13.2		10.5			120	0.51
2.0+2.0+6.0					12.7		9.6			125	0.59
2.0+2.0+7.1					13.6		9.6			130	0.62
2.0+2.5+2.5					10.7		8.7			120	0.51
2.0+2.5+3.5					12.0		9.4			120	0.51
2.0+2.5+5.0					14.0		11.1			120	0.51
2.0+2.5+6.0					13.0		9.6			125	0.59
2.0+2.5+7.1					13.5		9.5			130	0.62
2.0+3.5+3.5					13.1		10.3			120	0.51
2.0+3.5+5.0					14.8		10.9			120	0.51
2.0+3.5+6.0					13.6		9.5			125	0.59
2.0+3.5+7.1					14.2		9.4			130	0.62
2.0+5.0+5.0					14.2		10.3			120	0.51
2.0+5.0+6.0					14.4		9.5			125	0.59
2.5+2.5+2.5					11.3		9.0			120	0.51
2.5+2.5+3.5					12.6		9.9			120	0.51
2.5+2.5+5.0					14.4		10.9			120	0.51
2.5+2.5+6.0					13.5		9.5			125	0.59
2.5+2.5+7.1					13.9		9.4			130	0.62
2.5+3.5+3.5					13.7		10.9			120	0.51
2.5+3.5+5.0					14.9		10.8			120	0.51
2.5+3.5+6.0					13.6		9.4			125	0.59
2.5+3.5+7.1					14.2		9.3			130	0.62
2.5+5.0+5.0					15.0		10.2			120	0.51
2.5+5.0+6.0					14.8		9.3			125	0.59
3.5+3.5+3.5					14.4		10.9			120	0.51
3.5+3.5+5.0					15.2		10.7			120	0.51
3.5+3.5+6.0					13.7		9.3			125	0.59
3.5+5.0+5.0					14.9		10.1			120	0.51

3D050197-2B

SYMBOLS

- MCA : Min. Circuit Amps (A)
- MFA : Max. Fuse Amps (A)
- RLA : Rated Load Amps (A)
- OFM : Outdoor Fan Motor
- IFM : Indoor Fan Motor
- FLA : Full Load Amps (A)
- W : Fan Motor Rated Output (W)

NOTES

1. RLA is based on the following conditions:
Power supply: 50Hz 230V
Cooling
Indoor temp.: 27°CDB/19.0°CWB
Outdoor temp. : 35°CDB
2. Maximum allowable voltage unbalance between phases is 2%
3. Select wire size based on the larger value of MCA.
4. Instead of fuse, use circuit breaker
5. The above is the value for connecting with the following indoor units.
2.0, 2.5, 3.5, 5.0 kW class: wall mounted D series
6.0, 7.1 kW class: wall mounted B series
6. Be sure to install an earth leak detector. (One that can handle higher harmonics.)
(This unit uses an inverter, which means that it must be used an earth leak detector capable handling high harmonics in order to prevent malfunctioning of the earth leak detector.)
7. For more details concerning conditional connections, see <http://extranet.daikineurope.com>, select "E-Data Books". Finally, click on the document title of your choice.

3 Electrical data

4MKS75E

Cooling (50Hz 230V)

Combination	Units				Power supply		Comp.	OFM		IFM	
	Hz	Volts	Min.	Max.	MCA	MFA	RLA	W	FLA	W	FLA
2. 0+2. 0+2. 0+2. 0	50	230	207	253	10.9	20	8.1	68	0.41	160	0.69
2. 0+2. 0+2. 0+2. 5					11.4		8.4			160	0.69
2. 0+2. 0+2. 0+3. 5					12.2		9.3			160	0.69
2. 0+2. 0+2. 0+5. 0					13.6		9.2			160	0.69
2. 0+2. 0+2. 0+6. 0					13.1		8.6			165	0.76
2. 0+2. 0+2. 0+7. 1					13.6		8.2			170	0.79
2. 0+2. 0+2. 5+3. 5					11.8		8.8			160	0.69
2. 0+2. 0+2. 5+3. 5					12.5		9.2			160	0.69
2. 0+2. 0+2. 5+5. 0					13.8		9.2			160	0.69
2. 0+2. 0+2. 5+6. 0					13.2		8.6			165	0.76
2. 0+2. 0+3. 5+3. 5					13.4		9.2			160	0.69
2. 0+2. 0+3. 5+5. 0					14.5		9.1			160	0.69
2. 0+2. 0+3. 5+6. 0					14.1		8.6			165	0.76
2. 0+2. 5+2. 5+2. 5					12.2		9.3			160	0.69
2. 0+2. 5+2. 5+3. 5					12.7		9.2			160	0.69
2. 0+2. 5+2. 5+5. 0					14.1		9.0			160	0.69
2. 0+2. 5+2. 5+6. 0					14.0		8.5			165	0.76
2. 0+2. 5+3. 5+3. 5					13.9		9.2			160	0.69
2. 0+2. 5+3. 5+5. 0					14.8		9.1			160	0.69
2. 0+3. 5+3. 5+3. 5					14.9		9.2			160	0.69
2. 5+2. 5+2. 5+2. 5					12.3		9.2			160	0.69
2. 5+2. 5+2. 5+3. 5					13.3		9.2			160	0.69
2. 5+2. 5+2. 5+5. 0					14.4		9.0			160	0.69
2. 5+2. 5+2. 5+6. 0					13.8		8.5			165	0.76
2. 5+2. 5+3. 5+3. 5					14.0		9.1			160	0.69
2. 5+2. 5+3. 5+5. 0					14.8		9.6			160	0.69
2. 5+3. 5+3. 5+3. 5					15.0		9.1			160	0.69

3D050197-3B

SYMBOLS

- MCA : Min. Circuit Amps (A)
- MFA : Max. Fuse Amps (A)
- RLA : Rated Load Amps (A)
- OFM : Outdoor Fan Motor
- IFM : Indoor Fan Motor
- FLA : Full Load Amps (A)
- W : Fan Motor Rated Output (W)

NOTES

1. RLA is based on the following conditions:
Power supply: 50Hz 230V
Cooling
Indoor temp.: 27°CDB/19.0°CWB
Outdoor temp.: 35°CDB
2. Maximum allowable voltage unbalance between phases is 2%
3. Select wire size based on the larger value of MCA.
4. Instead of fuse, use circuit breaker
5. The above is the value for connecting with the following indoor units.
2.0, 2.5, 3.5, 5.0 kW class: wall mounted D series
6.0, 7.1 kW class: wall mounted B series
6. Be sure to install an earth leak detector. (One that can handle higher harmonics.)
(This unit uses an inverter, which means that it must be used an earth leak detector capable handling high harmonics in order to prevent malfunctioning of the earth leak detector.)
7. For more details concerning conditional connections, see <http://extranet.daikineurope.com>, select "E-Data Books". Finally, click on the document title of your choice.

3 Electrical data

3

4MKS75E

Cooling (50Hz 230V)

Combination	Units				Power supply		Comp.	OFM		IFM	
	Hz	Volts	Min.	Max.	MCA	MFA	RLA	W	FLA	W	FLA
2.0	50	230	207	253	4.0	20	2.1	68	0.41	40	0.23
2.5					4.6		2.8			40	0.23
3.5					6.9		4.4			40	0.23
5.0					9.1		6.7			40	0.23
6.0					10.2		8.8			45	0.25
7.1					12.6		12.0			50	0.28
2.0+2.0					7.6		5.0			80	0.45
2.0+2.5					8.7		6.0			80	0.45
2.0+3.5					10.9		8.4			80	0.45
2.0+5.0					11.5		9.8			80	0.45
2.0+6.0					12.0		10.6			85	0.48
2.0+7.1					13.4		11.4			90	0.50
2.5+2.5					9.6		7.2			80	0.45
2.5+3.5					11.6		10.0			80	0.45
2.5+5.0					11.9		10.3			80	0.45
2.5+6.0					12.7		11.0			85	0.48
2.5+7.1					13.9		11.9			90	0.50
3.5+3.5					14.2		12.9			80	0.45
3.5+5.0					12.9		11.3			80	0.45
3.5+6.0					13.7		12.1			85	0.48
3.5+7.1					14.7		11.9			90	0.50
5.0+5.0					13.4		11.1			80	0.45
5.0+6.0					14.0		11.0			85	0.48
5.0+7.1					14.4		10.8			90	0.50
6.0+6.0					13.9		10.4			90	0.50
6.0+7.1					14.1		10.3			95	0.53

3D050197-4B

SYMBOLS

- MCA : Min. Circuit Amps (A)
- MFA : Max. Fuse Amps (A)
- RLA : Rated Load Amps (A)
- OFM : Outdoor Fan Motor
- IFM : Indoor Fan Motor
- FLA : Full Load Amps (A)
- W : Fan Motor Rated Output (W)

NOTES

1. RLA is based on the following conditions:
 Power supply: 50Hz 230V
 Cooling
 Indoor temp.: 27°CDB/19.0°CWB
 Outdoor temp.: 35°CDB
 Heating
 Indoor temp.: 20°CDB
 Outdoor temp.: 7°CDB/6°CWB
2. Maximum allowable voltage unbalance between phases is 2%
3. Select wire size based on the larger value of MCA.
4. Instead of fuse, use circuit breaker
5. The above is the value for connecting with the following indoor units.
 2.0, 2.5, 3.5 kW class: wall mounted C series
 5.0, 6.0, 7.1 kW class: wall mounted B series
6. Be sure to install an earth leak detector. (One that can handle higher harmonics.)
 (This unit uses an inverter, which means that it must be used an earth leak detector capable handling high harmonics in order to prevent malfunctioning of the earth leak detector.)
7. For more details concerning conditional connections, see
<http://extranet.daikineurope.com>, select "E-Data Books". Finally, click on the document title of your choice.

3 Electrical data

4MKS75E

Cooling (50Hz 230V)

Combination	Units				Power supply		Comp.	OFM		IFM	
	Hz	Volts	Min.	Max.	MCA	MFA	RLA	W	FLA	W	FLA
2.0+2.0+2.0	50	230	207	253	9.6	20	6.9	68	0.41	120	0.68
2.0+2.0+2.5					10.4		8.4			120	0.68
2.0+2.0+3.5					11.7		9.2			120	0.68
2.0+2.0+5.0					12.3		9.5			120	0.68
2.0+2.0+6.0					13.3		9.8			125	0.70
2.0+2.0+7.1					14.2		9.7			130	0.73
2.0+2.5+2.5					11.1		8.8			120	0.68
2.0+2.5+3.5					12.4		9.6			120	0.68
2.0+2.5+5.0					13.0		9.9			120	0.68
2.0+2.5+6.0					14.0		9.8			125	0.70
2.0+2.5+7.1					14.5		9.7			130	0.73
2.0+3.5+3.5					13.5		10.4			120	0.68
2.0+3.5+5.0					14.1		9.9			120	0.68
2.0+3.5+6.0					14.5		9.9			125	0.70
2.0+3.5+7.1					15.3		9.8			130	0.73
2.0+5.0+5.0					13.9		9.2			120	0.68
2.0+5.0+6.0					14.2		9.2			125	0.70
2.5+2.5+2.5					11.7		9.2			120	0.68
2.5+2.5+3.5					12.9		10.0			120	0.68
2.5+2.5+5.0					13.4		9.9			120	0.68
2.5+2.5+6.0					14.3		9.9			125	0.70
2.5+2.5+7.1					14.9		9.8			130	0.73
2.5+3.5+3.5					14.1		11.0			120	0.68
2.5+3.5+5.0					14.4		9.9			120	0.68
2.5+3.5+6.0					15.0		9.9			125	0.70
2.5+3.5+7.1					15.5		9.8			130	0.73
2.5+5.0+5.0					14.1		9.2			120	0.68
2.5+5.0+6.0					14.5		9.2			125	0.70
3.5+3.5+3.5					14.8		11.0			120	0.68
3.5+3.5+5.0					15.2		9.9			120	0.68
3.5+3.5+6.0					15.6		9.9			125	0.70
3.5+5.0+5.0					14.6		9.2			120	0.68

3D050197-5B

SYMBOLS

- MCA : Min. Circuit Amps (A)
- MFA : Max. Fuse Amps (A)
- RLA : Rated Load Amps (A)
- OFM : Outdoor Fan Motor
- IFM : Indoor Fan Motor
- FLA : Full Load Amps (A)
- W : Fan Motor Rated Output (W)

NOTES

1. RLA is based on the following conditions:
Power supply: 50Hz 230V
Cooling
Indoor temp.: 27°CDB/19.0°CWB
Outdoor temp.: 35°CDB
Heating
Indoor temp.: 20°CDB
Outdoor temp.: 7°CDB/6°CWB
2. Maximum allowable voltage unbalance between phases is 2%
3. Select wire size based on the larger value of MCA.
4. Instead of fuse, use circuit breaker
5. The above is the value for connecting with the following indoor units.
2.0, 2.5, 3.5 kW class: wall mounted C series
5.0, 6.0, 7.1 kW class: wall mounted B series
6. Be sure to install an earth leak detector. (One that can handle higher harmonics.)
(This unit uses an inverter, which means that it must be used an earth leak detector capable handling high harmonics in order to prevent malfunctioning of the earth leak detector.)
7. For more details concerning conditional connections, see
<http://extranet.daikineurope.com>, select "E-Data Books". Finally, click on the document title of your choice.

3 Electrical data

3

4MKS75E
Cooling (50Hz 230V)

Combination	Units				Power supply		Comp.	OFM		IFM	
	Hz	Volts	Min.	Max.	MCA	MFA	RLA	W	FLA	W	FLA
2. 0+2. 0+2. 0+2. 0	50	230	207	253	11.3	20	8.3	68	0.41	160	0.90
2. 0+2. 0+2. 0+2. 5					12.0		8.6			160	0.90
2. 0+2. 0+2. 0+3. 5					12.6		9.5			160	0.90
2. 0+2. 0+2. 0+5. 0					13.0		8.9			160	0.90
2. 0+2. 0+2. 0+6. 0					13.9		8.6			165	0.93
2. 0+2. 0+2. 0+7. 1					14.3		8.4			170	0.95
2. 0+2. 0+2. 5+2. 5					12.2		9.1			160	0.90
2. 0+2. 0+2. 5+3. 5					13.0		9.5			160	0.90
2. 0+2. 0+2. 5+5. 0					13.3		8.9			160	0.90
2. 0+2. 0+2. 5+6. 0					14.1		8.6			165	0.93
2. 0+2. 0+3. 5+3. 5					14.2		9.5			160	0.90
2. 0+2. 0+3. 5+5. 0					14.2		8.8			160	0.90
2. 0+2. 0+3. 5+6. 0					14.6		8.6			165	0.93
2. 0+2. 5+2. 5+2. 5					12.6		9.5			160	0.90
2. 0+2. 5+2. 5+3. 5					13.5		9.5			160	0.90
2. 0+2. 5+2. 5+5. 0					13.7		8.8			160	0.90
2. 0+2. 5+2. 5+6. 0					14.6		8.6			165	0.93
2. 0+2. 5+3. 5+3. 5					14.7		9.5			160	0.90
2. 0+2. 5+3. 5+5. 0					14.7		8.8			160	0.90
2. 0+3. 5+3. 5+3. 5					15.7		9.5			160	0.90
2. 5+2. 5+2. 5+2. 5					13.0		9.2			160	0.90
2. 5+2. 5+2. 5+3. 5					14.2		9.5			160	0.90
2. 5+2. 5+2. 5+5. 0					14.2		8.8			160	0.90
2. 5+2. 5+2. 5+6. 0					14.6		8.6			165	0.93
2. 5+2. 5+3. 5+3. 5					15.0		9.4			160	0.90
2. 5+2. 5+3. 5+5. 0					14.6		8.8			160	0.90
2. 5+3. 5+3. 5+3. 5					16.1		9.5			160	0.90

3D050197-6B

SYMBOLS

MCA : Min. Circuit Amps (A)
MFA : Max. Fuse Amps (A)
RLA : Rated Load Amps (A)
OFM : Outdoor Fan Motor
IFM : Indoor Fan Motor
FLA : Full Load Amps (A)
W : Fan Motor Rated Output (W)

NOTES

1. RLA is based on the following conditions:
Power supply: 50Hz 230V
Cooling
Indoor temp.: 27°CDB/19.0°CWB
Outdoor temp.: 35°CDB
Heating
Indoor temp.: 20°CDB
Outdoor temp.: 7°CDB/6°CWB
2. Maximum allowable voltage unbalance between phases is 2%
3. Select wire size based on the larger value of MCA.
4. Instead of fuse, use circuit breaker
5. The above is the value for connecting with the following indoor units.
2.0, 2.5, 3.5 kW class: wall mounted C series
5.0, 6.0, 7.1 kW class: wall mounted B series
6. Be sure to install an earth leak detector. (One that can handle higher harmonics.)
(This unit uses an inverter, which means that it must be used an earth leak detector capable handling high harmonics in order to prevent malfunctioning of the earth leak detector.)
7. For more details concerning conditional connections, see <http://extranet.daikin-europe.com>, select "E-Data Books". Finally, click on the document title of your choice.

3 Electrical data

5MKS90E

Model		Units				Power supply		Comp.		OFM	
Outdoor	H/P C/D	Hz	Volts	Min.	Max.	MCA	MFA	MSC	RLA	W	FLA
5MKS90E7V3B	C/O	50	230	207	253	18	20	11.4	9.59	86	0.97

3D052366

SYMBOLS

- MCA : Min. Circuit Amps (A)
- MFA : Max. Fuse Amps (See note 6). (A)
- MSC : MSC means the max. current during the starting of compressor. (A)
- RLA : Rated Load Amps (A)
- OFM : Outdoor Fan Motor
- FLA : Full Load Amps (A)
- W : Fan Motor Rated Output (W)

NOTES

1. RLA is based on the following conditions:
Cooling
Indoor temp.: 27°CDB/19.0°CWB
Outdoor temp. : 35°CDB
2. Voltage range
Units are suitable for use on electrical systems where voltage supplied to unit terminals is not below or above listed operation range limits
3. Maximum allowable voltage variation between phases is 2%
4. MCA represents maximum input current.
MFA represents capacity which may accept MCA
5. Select wire size based on the larger value of MCA.
6. MFA is used to select the circuit breaker and the ground fault circuit interrupter (earth leakage circuit breaker)
7. For more details concerning conditional connections, see <http://extranet.daikineurope.com>, select "E-Data Books". Finally, click on the document title of your choice.

4 Options

5MKS90E

N°	Item	4MXS80E7	5MXS90E7	5MKS90E7
1	Drain plug		KKPJ5F180	

4TW27571-1

4

5 Capacity tables

5 - 1 Combination table

Cooling [50Hz 230V]

Outdoor unit	Combination of indoor unit	Capacity of each indoor unit										
		Each capacity (kW)				Total capacity (kW)		Total input (W)		Total current (A)		Power factor %
		A Room	B Room	C Room	D Room	Rating	(Min.-max.)	Rating	(Min.-max.)	Rating	(Min.-max.)	Rating
2MKS40D	2.0	2.00	---	---	---	2.00	1.20 ~ 2.40	610	340 ~ 740	2.8	1.9 ~ 3.4	94
	2.5	2.50	---	---	---	2.50	1.20 ~ 3.00	760	340 ~ 1020	3.5	1.9 ~ 4.7	94
	3.5	3.15	---	---	---	3.15	1.20 ~ 3.60	1120	340 ~ 1440	5.1	1.9 ~ 6.5	95
	2.0+2.0	1.90	1.90	---	---	3.80	1.50 ~ 4.10	1190	400 ~ 1460	5.5	2.2 ~ 6.7	94
	2.0+2.5	1.80	2.10	---	---	3.90	1.50 ~ 4.10	1210	400 ~ 1460	5.6	2.2 ~ 6.7	94
	2.0+3.5	1.70	2.20	---	---	3.90	1.50 ~ 4.20	1210	400 ~ 1490	5.6	2.2 ~ 6.8	94
	2.5+2.5	1.95	1.95	---	---	3.90	1.50 ~ 4.20	1210	400 ~ 1490	5.6	2.2 ~ 6.8	94
	2.5+3.5	1.75	2.15	---	---	3.90	1.50 ~ 4.20	1210	400 ~ 1490	5.6	2.2 ~ 6.8	94

3D049739#2

NOTES

- Cooling capacity is based on 27°CDB / 19°CWB (indoor temperature), 35°CDB (outdoor temperature).
- The total ability of connected a indoor unit is up to 6.0 kW
- The above is the value for connecting with the following indoor units.
2.0, 2.5, 3.5 kW class: wall mounted D series

Cooling [50Hz 230V]

Outdoor unit	Combination of indoor unit	Capacity of each indoor unit										
		Each capacity (kW)				Total capacity (kW)		Total input (W)		Total current (A)		Power factor %
		A Room	B Room	C Room	D Room	Rating	(Min.-max.)	Rating	(Min.-max.)	Rating	(Min.-max.)	Rating
2MKS40D	2.0	2.00	---	---	---	2.00	1.20 ~ 2.40	620	340 ~ 750	2.9	1.9 ~ 3.4	94
	2.5	2.50	---	---	---	2.50	1.20 ~ 3.00	770	340 ~ 1030	3.6	1.9 ~ 4.7	94
	3.5	3.15	---	---	---	3.15	1.20 ~ 3.60	1140	340 ~ 1460	5.2	1.9 ~ 6.6	95
	2.0+2.0	1.90	1.90	---	---	3.80	1.50 ~ 4.10	1210	400 ~ 1490	5.6	2.2 ~ 6.9	94
	2.0+2.5	1.80	2.10	---	---	3.90	1.50 ~ 4.10	1240	400 ~ 1490	5.7	2.2 ~ 6.9	94
	2.0+3.5	1.70	2.20	---	---	3.90	1.50 ~ 4.20	1240	400 ~ 1520	5.7	2.2 ~ 6.9	94
	2.5+2.5	1.95	1.95	---	---	3.90	1.50 ~ 4.20	1240	400 ~ 1520	5.7	2.2 ~ 6.9	94
	2.5+3.5	1.75	2.15	---	---	3.90	1.50 ~ 4.20	1240	400 ~ 1520	5.7	2.2 ~ 6.9	94

3D049739#3

NOTES

- Cooling capacity is based on 27°CDB / 19°CWB (indoor temperature), 35°CDB (outdoor temperature).
- The total ability of connected a indoor unit is up to 6.0 kW
- The above is the value for connecting with the following indoor units.
2.0, 2.5, 3.5 kW class: wall mounted C series

5 Capacity tables

5 - 1 Combination table

5

3MKS50E

Cooling [50Hz 230V]

Outdoor unit	Combination of indoor unit	Capacity of each indoor unit										
		Each capacity (kW)				Total capacity (kW)		Total input (W)		Total current (A)		Power factor %
		A Room	B Room	C Room	—	Rating	(Min.-max.)	Rating	(Min.-max.)	Rating	(Min.-max.)	Rating
3MKS50E2V1B	2.0	2.00	---	---	---	2.00	1.76 ~ 2.89	460	350 ~ 740	2.1	1.6 ~ 3.4	96
	2.5	2.50	---	---	---	2.50	1.76 ~ 3.12	620	350 ~ 750	2.8	1.6 ~ 3.4	97
	3.5	3.50	---	---	---	3.50	1.76 ~ 4.22	960	350 ~ 1290	4.3	1.6 ~ 5.7	98
	2.0+2.0	2.00	2.00	---	---	4.00	1.88 ~ 5.96	950	350 ~ 1910	4.2	1.5 ~ 8.4	99
	2.0+2.5	2.00	2.50	---	---	4.50	1.88 ~ 6.23	1180	350 ~ 2140	5.2	1.5 ~ 9.4	99
	2.0+3.5	1.82	3.18	---	---	5.00	1.88 ~ 6.24	1450	350 ~ 2070	6.4	1.5 ~ 9.1	99
	2.5+2.5	2.50	2.50	---	---	5.00	1.88 ~ 6.23	1450	350 ~ 2140	6.4	1.5 ~ 9.4	99
	2.5+3.5	2.08	2.92	---	---	5.00	1.88 ~ 6.35	1450	350 ~ 2160	6.4	1.5 ~ 9.5	99
	3.5+3.5	2.50	2.50	---	---	5.00	1.88 ~ 6.40	1390	350 ~ 2150	6.1	1.5 ~ 9.4	99
	2.0+2.0+2.0	1.66	1.66	1.66	---	4.98	1.86 ~ 7.04	1200	350 ~ 2160	5.3	1.5 ~ 9.5	99
	2.0+2.0+2.5	1.53	1.53	1.92	---	4.98	1.86 ~ 7.04	1200	350 ~ 2160	5.3	1.5 ~ 9.5	99
	2.0+2.0+3.5	1.33	1.33	2.32	---	4.98	1.95 ~ 7.06	1200	370 ~ 2160	5.3	1.6 ~ 9.5	99
	2.0+2.5+2.5	1.42	1.78	1.78	---	4.98	1.86 ~ 7.04	1200	350 ~ 2160	5.3	1.5 ~ 9.5	99
	2.0+2.5+3.5	1.25	1.66	2.19	---	5.00	1.95 ~ 7.06	1200	370 ~ 2160	5.3	1.6 ~ 9.5	99
	2.0+3.5+3.5	1.12	1.94	1.94	---	5.00	1.86 ~ 7.07	1200	350 ~ 2160	5.3	1.5 ~ 9.5	99
	2.5+2.5+2.5	1.66	1.66	1.66	---	4.98	1.95 ~ 7.04	1200	370 ~ 2160	5.3	1.6 ~ 9.5	99
	2.5+2.5+3.5	1.47	1.47	2.06	---	5.00	1.95 ~ 7.06	1200	370 ~ 2160	5.3	1.6 ~ 9.5	99
	2.5+3.5+3.5	1.32	1.84	1.84	---	5.00	1.95 ~ 7.07	1200	380 ~ 2160	5.3	1.7 ~ 9.5	99

3D052268-2

NOTES

- Cooling capacity is based on 27°CDB / 19°CWB (indoor temperature), 35°CDB (outdoor temperature).
- The total ability of connected a indoor unit is up to 9.5 kW
- The above is the value for connecting with the following indoor units.
2.0, 2.5, 3.5 kW class: wall mounted D series

3MKS50E

Cooling [50Hz 230V]

Outdoor unit	Combination of indoor unit	Capacity of each indoor unit										
		Each capacity (kW)				Total capacity (kW)		Total input (W)		Total current (A)		Power factor %
		A Room	B Room	C Room	—	Rating	(Min.-max.)	Rating	(Min.-max.)	Rating	(Min.-max.)	Rating
3MKS50E2V1B	2.0	2.00	---	---	---	2.00	1.74 ~ 2.84	460	350 ~ 730	2.1	1.6 ~ 3.3	96
	2.5	2.50	---	---	---	2.50	1.74 ~ 3.07	640	350 ~ 750	2.9	1.6 ~ 3.4	97
	3.5	3.50	---	---	---	3.50	1.74 ~ 4.12	990	350 ~ 1280	4.4	1.6 ~ 5.7	98
	2.0+2.0	2.00	2.00	---	---	4.00	1.87 ~ 5.78	1000	350 ~ 1900	4.4	1.5 ~ 8.3	99
	2.0+2.5	2.00	2.50	---	---	4.50	1.87 ~ 6.06	1230	350 ~ 2230	5.4	1.5 ~ 9.8	99
	2.0+3.5	1.82	3.18	---	---	5.00	1.87 ~ 6.06	1490	350 ~ 2160	6.5	1.5 ~ 9.5	99
	2.5+2.5	2.50	2.50	---	---	5.00	1.87 ~ 6.06	1540	350 ~ 2230	6.8	1.5 ~ 9.8	99
	2.5+3.5	2.08	2.92	---	---	5.00	1.87 ~ 6.06	1540	350 ~ 2230	6.8	1.5 ~ 9.8	99
	3.5+3.5	2.50	2.50	---	---	5.00	1.87 ~ 6.06	1510	350 ~ 2230	6.6	1.5 ~ 9.8	99
	2.0+2.0+2.0	1.66	1.66	1.66	---	4.98	1.88 ~ 6.93	1230	350 ~ 2260	5.4	1.5 ~ 9.9	99
	2.0+2.0+2.5	1.53	1.53	1.92	---	4.98	1.88 ~ 6.93	1230	350 ~ 2260	5.4	1.5 ~ 9.9	99
	2.0+2.0+3.5	1.33	1.33	2.32	---	4.98	1.97 ~ 6.93	1230	370 ~ 2260	5.4	1.6 ~ 9.9	99
	2.0+2.5+2.5	1.42	1.78	1.78	---	4.98	1.88 ~ 6.93	1230	350 ~ 2260	5.4	1.5 ~ 9.9	99
	2.0+2.5+3.5	1.25	1.66	2.19	---	5.00	1.97 ~ 6.93	1240	370 ~ 2260	5.4	1.6 ~ 9.9	99
	2.0+3.5+3.5	1.12	1.94	1.94	---	5.00	1.88 ~ 6.93	1240	350 ~ 2260	5.4	1.5 ~ 9.9	99
	2.5+2.5+2.5	1.66	1.66	1.66	---	4.98	1.97 ~ 6.93	1230	370 ~ 2260	5.4	1.6 ~ 9.9	99
	2.5+2.5+3.5	1.47	1.47	2.06	---	5.00	1.97 ~ 6.93	1260	370 ~ 2260	5.5	1.6 ~ 9.9	99
	2.5+3.5+3.5	1.32	1.84	1.84	---	5.00	1.97 ~ 6.93	1240	380 ~ 2260	5.4	1.7 ~ 9.9	99

3D052268-3

NOTES

- Cooling capacity is based on 27°CDB / 19°CWB (indoor temperature), 35°CDB (outdoor temperature).
- The total ability of connected a indoor unit is up to 9.5 kW
- The above is the value for connecting with the following indoor units.
2.0, 2.5, 3.5 kW class: wall mounted C series

5 Capacity tables

5 - 1 Combination table

4MKS58E

Cooling [50Hz 230V]

Outdoor unit	Combination of indoor unit	Capacity of each indoor unit										
		Each capacity (kW)				Total capacity (kW)		Total input (W)		Total current (A)		Power factor %
		A Room	B Room	C Room	—	Rating	(Min.-max.)	Rating	(Min.-max.)	Rating	(Min.-max.)	Rating
4MKS58E2V1B	2.0	2.00	---	---	---	2.00	1.76 ~ 2.89	460	350 ~ 740	2.1	1.6 ~ 3.4	96
	2.5	2.50	---	---	---	2.50	1.76 ~ 3.12	620	350 ~ 750	2.8	1.6 ~ 3.4	97
	3.5	3.50	---	---	---	3.50	1.76 ~ 4.22	960	350 ~ 1290	4.3	1.6 ~ 5.7	98
	5.0	---	---	5.00	---	5.00	1.79 ~ 5.40	1750	350 ~ 2030	7.7	1.5 ~ 8.9	99
	2.0+2.0	2.00	2.00	---	---	4.00	1.88 ~ 5.96	950	350 ~ 1910	4.2	1.5 ~ 8.4	99
	2.0+2.5	2.00	2.50	---	---	4.50	1.88 ~ 6.23	1180	350 ~ 2140	5.2	1.5 ~ 9.4	99
	2.0+3.5	1.86	3.25	---	---	5.11	1.88 ~ 6.24	1520	350 ~ 2140	6.7	1.5 ~ 9.4	99
	2.0+5.0	1.56	---	3.90	---	5.46	1.88 ~ 6.47	1580	350 ~ 2070	6.9	1.5 ~ 9.1	99
	2.5+2.5	2.50	2.50	---	---	5.00	1.88 ~ 6.23	1450	350 ~ 2140	6.4	1.5 ~ 9.4	99
	2.5+3.5	2.18	3.05	---	---	5.23	1.88 ~ 6.35	1580	350 ~ 2160	6.9	1.5 ~ 9.5	99
	2.5+5.0	1.86	---	3.71	---	5.57	1.88 ~ 6.47	1640	350 ~ 2070	7.2	1.5 ~ 9.1	99
	3.5+3.5	2.73	2.73	---	---	5.46	1.88 ~ 6.40	1700	350 ~ 2160	7.5	1.5 ~ 9.5	99
	3.5+5.0	2.39	---	3.41	---	5.80	1.88 ~ 6.49	1810	350 ~ 2090	7.9	1.5 ~ 9.2	99
	5.0+5.0	---	---	2.90	2.90	5.80	1.89 ~ 6.64	1780	350 ~ 2110	7.8	1.5 ~ 9.3	99
	2.0+2.0+2.0	1.74	1.74	1.74	---	5.22	1.86 ~ 7.04	1260	350 ~ 2160	5.5	1.5 ~ 9.5	99
	2.0+2.0+2.5	1.64	1.64	2.05	---	5.33	1.86 ~ 7.04	1310	350 ~ 2160	5.8	1.5 ~ 9.5	99
	2.0+2.0+3.5	1.49	1.49	2.60	---	5.58	1.95 ~ 7.06	1410	370 ~ 2160	6.2	1.6 ~ 9.5	99
	2.0+2.0+5.0	1.29	1.29	3.22	---	5.80	1.84 ~ 7.30	1560	350 ~ 2260	6.9	1.5 ~ 9.9	99
	2.0+2.5+2.5	1.56	1.95	1.95	---	5.46	1.86 ~ 7.04	1380	350 ~ 2160	6.1	1.5 ~ 9.5	99
	2.0+2.5+3.5	1.42	1.78	2.49	---	5.69	1.95 ~ 7.06	1480	370 ~ 2160	6.5	1.6 ~ 9.5	99
	2.0+2.5+5.0	1.22	1.53	3.05	---	5.80	1.84 ~ 7.30	1560	350 ~ 2260	6.9	1.5 ~ 9.9	99
	2.0+3.5+3.5	1.28	2.26	2.26	---	5.80	1.86 ~ 7.07	1570	350 ~ 2160	6.9	1.5 ~ 9.5	99
	2.5+2.5+2.5	1.86	1.86	1.86	---	5.58	1.95 ~ 7.04	1410	370 ~ 2160	6.2	1.6 ~ 9.5	99
	2.5+2.5+3.5	1.71	1.71	2.38	---	5.80	1.95 ~ 7.06	1570	370 ~ 2160	6.9	1.6 ~ 9.5	99
	2.5+2.5+5.0	1.45	1.45	2.90	---	5.80	1.84 ~ 7.30	1540	350 ~ 2260	6.8	1.5 ~ 9.9	99
	2.5+3.5+3.5	1.52	2.14	2.14	---	5.80	1.95 ~ 7.07	1620	380 ~ 2160	7.1	1.7 ~ 9.5	99
	2.0+2.0+2.0+2.0	1.42	1.42	1.42	1.42	5.68	1.96 ~ 7.30	1490	400 ~ 2160	6.5	1.8 ~ 9.5	99
	2.0+2.0+2.0+2.5	1.36	1.36	1.36	1.72	5.80	1.96 ~ 7.30	1520	400 ~ 2160	6.7	1.8 ~ 9.5	99
	2.0+2.0+2.0+3.5	1.22	1.22	1.22	2.14	5.80	1.97 ~ 7.30	1520	400 ~ 2160	6.7	1.8 ~ 9.5	99
	2.0+2.0+2.5+2.5	1.29	1.29	1.61	1.61	5.80	1.96 ~ 7.30	1520	400 ~ 2160	6.7	1.8 ~ 9.5	99
	2.0+2.0+2.5+3.5	1.16	1.16	1.45	2.03	5.80	1.99 ~ 7.30	1520	400 ~ 2160	6.7	1.8 ~ 9.5	99
	2.0+2.5+2.5+2.5	1.21	1.53	1.53	1.53	5.80	1.97 ~ 7.30	1520	400 ~ 2160	6.7	1.8 ~ 9.5	99
	2.5+2.5+2.5+2.5	1.45	1.45	1.45	1.45	5.80	1.99 ~ 7.30	1520	400 ~ 2160	6.7	1.8 ~ 9.5	99

3D052267-2

NOTES

- 1 Cooling capacity is based on 27°CDB / 19°CWB (indoor temperature), 35°CDB (outdoor temperature).
- 2 The total ability of connected a indoor unit is up to 10.0 kW
- 3 The above is the value for connecting with the following indoor units.
2.0, 2.5, 3.5, 5.0 kW class: wall mounted D series

5 Capacity tables

5 - 1 Combination table

5

4MK558E

Cooling [50Hz 230V]

Outdoor unit	Combination of indoor unit	Capacity of each indoor unit										
		Each capacity (kW)				Total capacity (kW)		Total input (W)		Total current (A)		Power factor %
		A Room	B Room	C Room	—	Rating	(Min.-max.)	Rating	(Min.-max.)	Rating	(Min.-max.)	Rating
4MK558E2V1B	2.0	2.00	---	---	---	2.00	1.76 ~ 2.89	460	350 ~ 740	2.1	1.6 ~ 3.4	96
	2.5	2.50	---	---	---	2.50	1.76 ~ 3.12	620	350 ~ 750	2.8	1.6 ~ 3.4	97
	3.5	3.50	---	---	---	3.50	1.76 ~ 4.22	960	350 ~ 1290	4.3	1.6 ~ 5.7	98
	5.0	---	---	5.00	---	5.00	1.85 ~ 5.82	1540	350 ~ 1980	6.8	1.5 ~ 8.7	99
	2.0+2.0	2.00	2.00	---	---	4.00	1.88 ~ 5.96	950	350 ~ 1910	4.2	1.5 ~ 8.4	99
	2.0+2.5	2.00	2.50	---	---	4.50	1.88 ~ 6.23	1180	350 ~ 2140	5.2	1.5 ~ 9.4	99
	2.0+3.5	1.86	3.25	---	---	5.11	1.88 ~ 6.24	1520	350 ~ 2070	6.7	1.5 ~ 9.1	99
	2.0+5.0	1.56	---	3.90	---	5.46	1.88 ~ 6.91	1400	350 ~ 2070	6.1	1.5 ~ 9.1	99
	2.5+2.5	2.50	2.50	---	---	5.00	1.88 ~ 6.23	1450	350 ~ 2140	6.4	1.5 ~ 9.4	99
	2.5+3.5	2.18	3.05	---	---	5.23	1.88 ~ 6.35	1580	350 ~ 2160	6.9	1.5 ~ 9.5	99
	2.5+5.0	1.86	---	3.71	---	5.57	1.88 ~ 6.91	1470	350 ~ 2070	6.5	1.5 ~ 9.1	99
	3.5+3.5	2.73	2.73	---	---	5.46	1.88 ~ 6.40	1720	350 ~ 2160	7.6	1.5 ~ 9.5	99
	3.5+5.0	2.39	---	3.41	---	5.80	1.88 ~ 6.92	1600	350 ~ 2080	7.0	1.5 ~ 9.1	99
	5.0+5.0	---	---	2.90	2.90	5.80	1.83 ~ 7.00	1540	350 ~ 2110	6.8	1.5 ~ 9.3	99
	2.0+2.0+2.0	1.74	1.74	1.74	---	5.22	1.86 ~ 7.04	1260	350 ~ 2160	5.5	1.5 ~ 9.5	99
	2.0+2.0+2.5	1.64	1.64	2.05	---	5.33	1.86 ~ 7.04	1310	350 ~ 2160	5.8	1.5 ~ 9.5	99
	2.0+2.0+3.5	1.49	1.49	2.60	---	5.58	1.95 ~ 7.06	1410	370 ~ 2160	6.2	1.6 ~ 9.5	99
	2.0+2.0+5.0	1.29	1.29	3.22	---	5.80	1.77 ~ 7.30	1540	350 ~ 2190	6.8	1.5 ~ 9.6	99
	2.0+2.5+2.5	1.56	1.95	1.95	---	5.46	1.86 ~ 7.04	1380	350 ~ 2160	6.1	1.5 ~ 9.5	99
	2.0+2.5+3.5	1.42	1.78	2.49	---	5.69	1.95 ~ 7.06	1480	370 ~ 2160	6.5	1.6 ~ 9.5	99
	2.0+2.5+5.0	1.22	1.53	3.05	---	5.80	1.77 ~ 7.30	1540	350 ~ 2240	6.8	1.5 ~ 9.8	99
	2.0+3.5+3.5	1.28	2.26	2.26	---	5.80	1.86 ~ 7.07	1570	350 ~ 2160	6.9	1.5 ~ 9.5	99
	2.5+2.5+2.5	1.86	1.86	1.86	---	5.58	1.95 ~ 7.04	1410	370 ~ 2160	6.2	1.6 ~ 9.5	99
	2.5+2.5+3.5	1.71	1.71	2.38	---	5.80	1.95 ~ 7.06	1570	370 ~ 2160	6.9	1.6 ~ 9.5	99
	2.5+2.5+5.0	1.45	1.45	2.90	---	5.80	1.77 ~ 7.30	1540	350 ~ 2240	6.8	1.5 ~ 9.8	99
	2.5+3.5+3.5	1.52	2.14	2.14	---	5.80	1.95 ~ 7.07	1570	380 ~ 2160	6.9	1.7 ~ 9.5	99
	2.0+2.0+2.0+2.0	1.42	1.42	1.42	1.42	5.68	1.96 ~ 7.30	1490	400 ~ 2160	6.5	1.8 ~ 9.5	99
	2.0+2.0+2.0+2.5	1.36	1.36	1.36	1.72	5.80	1.96 ~ 7.30	1520	400 ~ 2160	6.7	1.8 ~ 9.5	99
	2.0+2.0+2.0+3.5	1.22	1.22	1.22	2.14	5.80	1.97 ~ 7.30	1520	400 ~ 2160	6.7	1.8 ~ 9.5	99
	2.0+2.0+2.5+2.5	1.29	1.29	1.61	1.61	5.80	1.96 ~ 7.30	1520	400 ~ 2160	6.7	1.8 ~ 9.5	99
	2.0+2.0+2.5+3.5	1.16	1.16	1.45	2.03	5.80	1.99 ~ 7.30	1520	400 ~ 2160	6.7	1.8 ~ 9.5	99
	2.0+2.5+2.5+2.5	1.21	1.53	1.53	1.53	5.80	1.97 ~ 7.30	1520	400 ~ 2160	6.7	1.8 ~ 9.5	99
	2.5+2.5+2.5+2.5	1.45	1.45	1.45	1.45	5.80	1.99 ~ 7.30	1520	400 ~ 2160	6.7	1.8 ~ 9.5	99

3D052267-4

NOTES

- Cooling capacity is based on 27°CDB / 19°CWB (indoor temperature), 35°CDB (outdoor temperature).
- The total ability of connected a indoor unit is up to 10.0 kW
- The above is the value for connecting with the following indoor units.
2.0, 2.5, 3.5 kW class: wall mounted D series
5.0 kW class: wall mounted E series

5 Capacity tables

5 - 1 Combination table

4MKS75E

Cooling [50Hz 230V]

Outdoor unit	Combination of indoor unit	Capacity of each indoor unit										
		Each capacity (kW)				Total capacity (kW)		Total input (W)		Total current (A)		Power factor %
		A Room	B Room	C Room	D Room	Rating	(Min.-max.)	Rating	(Min.-max.)	Rating	(Min.-max.)	Rating
4MKS75E2V1B	2.0	2.00	—	—	—	2.00	1.65 ~ 2.96	530	420 ~ 810	2.5	2.0 ~ 3.9	91
	2.5	2.50	—	—	—	2.50	1.65 ~ 3.40	670	420 ~ 940	3.2	2.0 ~ 4.5	91
	3.5	3.50	—	—	—	3.50	1.68 ~ 4.75	1030	420 ~ 1440	4.7	1.9 ~ 6.6	95
	5.0	—	—	5.00	—	5.00	1.82 ~ 5.20	1860	450 ~ 2060	8.3	2.0 ~ 9.1	98
	6.0	—	—	6.00	—	6.00	1.90 ~ 6.41	2110	440 ~ 2320	9.3	1.9 ~ 10.2	99
	7.1	—	—	—	7.10	7.10	2.01 ~ 7.15	2840	460 ~ 2860	12.5	2.0 ~ 12.6	99
	2.0+2.0	2.00	2.00	—	—	4.00	1.72 ~ 5.16	1240	370 ~ 1660	5.5	1.6 ~ 7.4	98
	2.0+2.5	2.00	2.50	—	—	4.50	1.82 ~ 5.64	1470	400 ~ 1910	6.5	1.8 ~ 8.4	99
	2.0+3.5	2.00	3.50	—	—	5.50	1.90 ~ 6.22	2010	430 ~ 2400	8.8	1.9 ~ 10.5	99
	2.0+5.0	1.93	—	4.82	—	6.75	2.14 ~ 7.15	2590	430 ~ 2790	11.4	1.9 ~ 12.3	99
	2.0+6.0	1.77	—	5.28	—	7.05	2.15 ~ 7.43	2490	430 ~ 2630	10.9	1.9 ~ 11.6	99
	2.0+7.1	1.62	—	—	5.76	7.38	2.27 ~ 7.86	2670	450 ~ 2970	11.7	2.0 ~ 13.0	99
	2.5+2.5	2.50	2.50	—	—	5.00	1.82 ~ 6.09	1710	400 ~ 2090	7.6	1.8 ~ 9.3	98
	2.5+3.5	2.50	3.50	—	—	6.00	1.90 ~ 6.42	2360	430 ~ 2540	10.4	1.9 ~ 11.2	99
	2.5+5.0	2.30	—	4.60	—	6.90	2.05 ~ 7.28	2680	410 ~ 2900	11.8	1.8 ~ 12.7	99
	2.5+6.0	2.12	—	5.08	—	7.20	2.15 ~ 7.62	2590	420 ~ 2790	11.4	1.8 ~ 12.3	99
	2.5+7.1	1.95	—	—	5.55	7.50	2.27 ~ 7.98	2830	450 ~ 3080	12.4	2.0 ~ 13.5	99
	3.5+3.5	3.50	3.50	—	—	7.00	2.02 ~ 7.14	2850	460 ~ 3230	12.5	2.0 ~ 14.2	99
	3.5+5.0	2.96	—	4.24	—	7.20	2.15 ~ 7.63	2970	440 ~ 3180	13.0	1.9 ~ 14.0	99
	3.5+6.0	2.76	—	4.74	—	7.50	2.26 ~ 7.93	2910	460 ~ 3120	12.8	2.0 ~ 13.7	99
	3.5+7.1	2.48	—	—	5.02	7.50	2.39 ~ 8.23	2800	490 ~ 3290	12.3	2.2 ~ 14.4	99
	5.0+5.0	—	—	3.75	3.75	7.50	2.32 ~ 8.08	3030	460 ~ 3270	13.3	2.0 ~ 14.4	99
	5.0+6.0	—	—	3.41	4.09	7.50	2.45 ~ 8.31	2860	480 ~ 3430	12.6	2.1 ~ 15.1	99
	5.0+7.1	—	—	3.10	4.40	7.50	2.58 ~ 8.47	2750	510 ~ 3540	12.1	2.2 ~ 15.5	99
	6.0+6.0	—	—	3.75	3.75	7.50	2.57 ~ 8.47	2520	510 ~ 3150	11.1	2.2 ~ 13.8	99
	6.0+7.1	—	—	3.44	4.06	7.50	2.72 ~ 8.57	2510	540 ~ 3180	11.0	2.4 ~ 14.0	99
	2.0+2.0+2.0	2.00	2.00	2.00	—	6.00	1.94 ~ 6.71	1710	370 ~ 2080	7.5	1.6 ~ 9.1	99
	2.0+2.0+2.5	2.03	2.03	2.54	—	6.60	1.98 ~ 7.02	2040	380 ~ 2290	9.0	1.7 ~ 10.1	99
	2.0+2.0+3.5	1.84	1.84	3.22	—	6.90	2.04 ~ 7.45	2220	400 ~ 2580	9.7	1.8 ~ 11.3	99
	2.0+2.0+5.0	1.63	1.63	4.09	—	7.35	2.20 ~ 7.99	2550	430 ~ 3000	11.2	1.9 ~ 13.2	99
	2.0+2.0+6.0	1.50	1.50	4.50	—	7.50	2.33 ~ 8.35	2370	460 ~ 2890	10.4	2.0 ~ 12.7	99
	2.0+2.0+7.1	1.35	1.35	—	4.80	7.50	2.46 ~ 8.65	2360	480 ~ 3100	10.4	2.1 ~ 13.6	99
	2.0+2.5+2.5	1.93	2.41	2.41	—	6.75	2.05 ~ 7.24	2130	400 ~ 2440	9.4	1.8 ~ 10.7	99
	2.0+2.5+3.5	1.76	2.22	3.07	—	7.05	2.15 ~ 7.65	2310	430 ~ 2730	10.1	1.9 ~ 12.0	99
	2.0+2.5+5.0	1.58	1.97	3.95	—	7.50	2.32 ~ 8.20	2690	460 ~ 3190	11.8	2.0 ~ 14.0	99
	2.0+2.5+6.0	1.43	1.79	4.28	—	7.50	2.33 ~ 8.55	2360	460 ~ 2970	10.4	2.0 ~ 13.0	99
	2.0+2.5+7.1	1.29	1.62	—	4.59	7.50	2.46 ~ 8.72	2350	480 ~ 3080	10.3	2.1 ~ 13.5	99
	2.0+3.5+3.5	1.63	2.86	2.86	—	7.35	2.15 ~ 8.02	2500	430 ~ 2980	11.0	1.9 ~ 13.1	99
	2.0+3.5+5.0	1.43	2.50	3.57	—	7.50	2.33 ~ 8.55	2640	460 ~ 3370	11.6	2.0 ~ 14.8	99
	2.0+3.5+6.0	1.30	2.29	3.91	—	7.50	2.45 ~ 8.70	2350	490 ~ 3100	10.3	2.2 ~ 13.6	99
	2.0+3.5+7.1	1.19	2.08	—	4.23	7.50	2.60 ~ 8.92	2330	520 ~ 3240	10.2	2.3 ~ 14.2	99

3D051892-2

NOTES

- Cooling capacity is based on 27°CDB / 19°CWB (indoor temperature), 35°CDB (outdoor temperature).
- The total ability of connected a indoor unit is up to 13.5 kW
- The above is the value for connecting with the following indoor units.
2.0, 2.5, 3.5, 5.0 kW class: wall mounted D series
6.0, 7.1 kW class: wall mounted B series

5 Capacity tables

5 - 1 Combination table

5

4MK575E

Cooling [50Hz 230V]

Outdoor unit	Combination of indoor unit	Capacity of each indoor unit										
		Each capacity (kW)				Total capacity (kW)		Total input (W)		Total current (A)		Power factor %
		A Room	B Room	C Room	D Room	Rating	(Min.-max.)	Rating	(Min.-max.)	Rating	(Min.-max.)	Rating
4MK575E2V1B	2.0+5.0+5.0	1.24	---	3.13	3.13	7.50	2.63 ~ 8.83	2500	510 ~ 3230	11.0	2.2 ~ 14.2	99
	2.0+5.0+6.0	1.15	---	2.89	3.46	7.50	2.78 ~ 8.96	2340	570 ~ 3270	10.3	2.5 ~ 14.4	99
	2.5+2.5+2.5	2.30	2.30	2.30	---	6.90	2.05 ~ 7.45	2220	390 ~ 2580	9.7	1.7 ~ 11.3	99
	2.5+2.5+3.5	2.12	2.12	2.96	---	7.20	2.15 ~ 7.85	2410	430 ~ 2880	10.6	1.9 ~ 12.6	99
	2.5+2.5+5.0	1.88	1.88	3.74	---	7.50	2.32 ~ 8.34	2630	460 ~ 3280	11.6	2.0 ~ 14.4	99
	2.5+2.5+6.0	1.70	1.70	4.10	---	7.50	2.45 ~ 8.61	2340	490 ~ 3070	10.3	2.2 ~ 13.5	99
	2.5+2.5+7.1	1.55	1.55	---	4.40	7.50	2.58 ~ 8.84	2320	520 ~ 3170	10.2	2.3 ~ 13.9	99
	2.5+3.5+3.5	1.98	2.76	2.76	---	7.50	2.26 ~ 8.20	2640	460 ~ 3130	11.6	2.0 ~ 13.7	99
	2.5+3.5+5.0	1.70	2.39	3.41	---	7.50	2.45 ~ 8.61	2610	490 ~ 3390	11.5	2.2 ~ 14.9	99
	2.5+3.5+6.0	1.56	2.19	3.75	---	7.50	2.57 ~ 8.82	2320	520 ~ 3100	10.2	2.3 ~ 13.6	99
	2.5+3.5+7.1	1.43	2.00	---	4.07	7.50	2.72 ~ 8.98	2300	540 ~ 3230	10.1	2.4 ~ 14.2	99
	2.5+5.0+5.0	1.50	---	3.00	3.00	7.50	2.63 ~ 8.90	2480	500 ~ 3420	10.9	2.2 ~ 15.0	99
	2.5+5.0+6.0	1.39	---	2.78	3.33	7.50	2.78 ~ 9.03	2310	570 ~ 3370	10.1	2.5 ~ 14.8	99
	3.5+3.5+3.5	2.50	2.50	2.50	---	7.50	2.38 ~ 8.49	2630	480 ~ 3290	11.6	2.1 ~ 14.4	99
	3.5+3.5+5.0	2.19	2.19	3.12	---	7.50	2.57 ~ 8.82	2590	520 ~ 3470	11.4	2.3 ~ 15.2	99
	3.5+3.5+6.0	2.02	2.02	3.46	---	7.50	2.71 ~ 8.97	2300	540 ~ 3120	10.1	2.4 ~ 13.7	99
	3.5+5.0+5.0	1.94	---	2.78	2.78	7.50	2.78 ~ 9.03	2450	570 ~ 3390	10.8	2.5 ~ 14.9	99
	2.0+2.0+2.0+2.0	1.76	1.76	1.76	1.76	7.04	2.07 ~ 7.81	2040	380 ~ 2480	9.0	1.7 ~ 10.9	99
	2.0+2.0+2.0+2.5	1.69	1.69	1.69	2.13	7.20	2.19 ~ 8.04	2120	410 ~ 2600	9.3	1.8 ~ 11.4	99
	2.0+2.0+2.0+3.5	1.58	1.58	1.58	2.76	7.50	2.33 ~ 8.27	2330	440 ~ 2780	10.2	1.9 ~ 12.2	99
	2.0+2.0+2.0+5.0	1.36	1.36	1.36	3.42	7.50	2.50 ~ 8.77	2300	500 ~ 3100	10.1	2.2 ~ 13.6	99
	2.0+2.0+2.0+6.0	1.25	1.25	1.25	3.75	7.50	2.65 ~ 9.06	2170	530 ~ 2980	9.5	2.3 ~ 13.1	99
	2.0+2.0+2.0+7.1	1.15	1.15	1.15	4.05	7.50	2.79 ~ 9.23	2100	560 ~ 3100	9.2	2.5 ~ 13.6	99
	2.0+2.0+2.5+2.5	1.63	1.63	2.04	2.04	7.34	2.19 ~ 8.12	2220	410 ~ 2680	9.7	1.8 ~ 11.8	99
	2.0+2.0+2.5+3.5	1.50	1.50	1.88	2.62	7.50	2.33 ~ 8.42	2310	440 ~ 2850	10.1	1.9 ~ 12.5	99
	2.0+2.0+2.5+5.0	1.30	1.30	1.64	3.26	7.50	2.50 ~ 8.85	2290	500 ~ 3140	10.1	2.2 ~ 13.8	99
	2.0+2.0+2.5+6.0	1.20	1.20	1.50	3.60	7.50	2.65 ~ 9.13	2170	530 ~ 3010	9.5	2.3 ~ 13.2	99
	2.0+2.0+3.5+3.5	1.36	1.36	2.39	2.39	7.50	2.45 ~ 8.75	2300	470 ~ 3050	10.1	2.1 ~ 13.4	99
	2.0+2.0+3.5+5.0	1.20	1.20	2.10	3.00	7.50	2.65 ~ 9.14	2280	530 ~ 3300	10.0	2.3 ~ 14.5	99
	2.0+2.0+3.5+6.0	1.11	1.11	1.95	3.33	7.50	2.78 ~ 9.27	2160	560 ~ 3200	9.5	2.5 ~ 14.1	99
	2.0+2.5+2.5+2.5	1.59	1.97	1.97	1.97	7.50	2.32 ~ 8.27	2320	440 ~ 2780	10.2	1.9 ~ 12.2	99
	2.0+2.5+2.5+3.5	1.43	1.79	1.79	2.49	7.50	2.45 ~ 8.56	2300	470 ~ 2900	10.1	2.1 ~ 12.7	99
	2.0+2.5+2.5+5.0	1.25	1.56	1.56	3.13	7.50	2.63 ~ 9.00	2260	530 ~ 3200	9.9	2.3 ~ 14.1	99
	2.0+2.5+2.5+6.0	1.15	1.44	1.44	3.47	7.50	2.78 ~ 9.27	2150	560 ~ 3180	9.4	2.5 ~ 14.0	99
	2.0+2.5+3.5+3.5	1.30	1.64	2.28	2.28	7.50	2.45 ~ 8.88	2290	470 ~ 3160	10.1	2.1 ~ 13.9	99
	2.0+2.5+3.5+5.0	1.15	1.44	2.03	2.88	7.50	2.78 ~ 9.28	2270	560 ~ 3380	10.0	2.5 ~ 14.8	99
	2.0+3.5+3.5+3.5	1.20	2.10	2.10	2.10	7.50	2.59 ~ 9.18	2290	500 ~ 3400	10.1	2.2 ~ 14.9	99
	2.5+2.5+2.5+2.5	1.87	1.87	1.87	1.87	7.48	2.32 ~ 8.41	2300	440 ~ 2810	10.1	1.9 ~ 12.3	99
	2.5+2.5+2.5+3.5	1.70	1.70	1.70	2.40	7.50	2.45 ~ 8.76	2300	470 ~ 3030	10.1	2.1 ~ 13.3	99
	2.5+2.5+2.5+5.0	1.50	1.50	1.50	3.00	7.50	2.63 ~ 9.14	2250	530 ~ 3270	9.9	2.3 ~ 14.4	99
	2.5+2.5+2.5+6.0	1.39	1.39	1.39	3.33	7.50	2.78 ~ 9.27	2150	550 ~ 3150	9.4	2.4 ~ 13.8	99

3D051892-3

NOTES

- Cooling capacity is based on 27°CDB / 19°CWB (indoor temperature), 35°CDB (outdoor temperature).
- The total ability of connected a indoor unit is up to 13.5 kW
- The above is the value for connecting with the following indoor units.
 2.0, 2.5, 3.5, 5.0 kW class: wall mounted D series
 6.0, 7.1 kW class: wall mounted B series

5 Capacity tables

5 - 1 Combination table

4MKS75E

Cooling [50Hz 230V]

Outdoor unit	Combination of indoor unit	Capacity of each indoor unit										
		Each capacity (kW)				Total capacity (kW)		Total input (W)		Total current (A)		Power factor %
		A Room	B Room	C Room	D Room	Rating	(Min.-max.)	Rating	(Min.-max.)	Rating	(Min.-max.)	Rating
4MKS75E2V1B	2.5+2.5+3.5+3.5	1.56	1.56	2.19	2.19	7.50	2.57 ~ 9.01	2280	490 ~ 3180	10.0	2.2 ~ 14.0	99
	2.5+2.5+3.5+5.0	1.39	1.39	1.94	2.78	7.50	2.78 ~ 9.28	2400	560 ~ 3370	10.5	2.5 ~ 14.8	99
	2.5+3.5+3.5+3.5	1.44	2.02	2.02	2.02	7.50	2.71 ~ 9.24	2270	530 ~ 3410	10.0	2.3 ~ 15.0	99

3D051892-4

NOTES

- Cooling capacity is based on 27°CDB / 19°CWB (indoor temperature), 35°CDB (outdoor temperature).
- The total ability of connected a indoor unit is up to 13.5 kW
- The above is the value for connecting with the following indoor units.
 2.0, 2.5, 3.5, 5.0 kW class: wall mounted D series
 6.0, 7.1 kW class: wall mounted B series

5 Capacity tables

5 - 1 Combination table

5

4MK575E

Cooling [50Hz 230V]

Outdoor unit	Combination of indoor unit	Capacity of each indoor unit										Power factor %
		Each capacity (kW)				Total capacity (kW)		Total input (W)		Total current (A)		
		A Room	B Room	C Room	D Room	Rating	(Min.-max.)	Rating	(Min.-max.)	Rating	(Min.-max.)	
4MK575E2V1B	2.0	2.00	---	---	---	2.00	1.65 ~ 2.96	550	420 ~ 840	2.6	2.0 ~ 4.0	91
	2.5	2.50	---	---	---	2.50	1.65 ~ 3.40	700	420 ~ 970	3.3	2.0 ~ 4.6	91
	3.5	3.50	---	---	---	3.50	1.68 ~ 4.75	1070	420 ~ 1490	4.9	1.9 ~ 6.9	95
	5.0	---	---	5.00	---	5.00	1.82 ~ 5.91	1630	450 ~ 2050	7.2	2.0 ~ 9.1	98
	6.0	---	---	6.00	---	6.00	1.90 ~ 6.41	2110	440 ~ 2320	9.3	1.9 ~ 10.2	99
	7.1	---	---	---	7.10	7.10	2.01 ~ 7.15	2840	460 ~ 2860	12.5	2.0 ~ 12.6	99
	2.0+2.0	2.00	2.00	---	---	4.00	1.72 ~ 5.16	1280	370 ~ 1710	5.7	1.6 ~ 7.6	98
	2.0+2.5	2.00	2.50	---	---	4.50	1.82 ~ 5.64	1520	400 ~ 1970	6.7	1.8 ~ 8.7	99
	2.0+3.5	2.00	3.50	---	---	5.50	1.90 ~ 6.22	2080	430 ~ 2480	9.1	1.9 ~ 10.9	99
	2.0+5.0	1.93	---	4.82	---	6.75	2.14 ~ 7.15	2400	430 ~ 2600	10.5	1.9 ~ 11.5	99
	2.0+6.0	1.77	---	5.28	---	7.05	2.15 ~ 7.43	2570	430 ~ 2710	11.3	1.9 ~ 12.0	99
	2.0+7.1	1.62	---	---	5.76	7.38	2.27 ~ 7.86	2760	450 ~ 3060	12.1	2.0 ~ 13.4	99
	2.5+2.5	2.50	2.50	---	---	5.00	1.82 ~ 6.09	1770	400 ~ 2160	7.9	1.8 ~ 9.6	98
	2.5+3.5	2.50	3.50	---	---	6.00	1.90 ~ 6.42	2440	430 ~ 2620	10.7	1.9 ~ 11.6	99
	2.5+5.0	2.30	---	4.60	---	6.90	2.05 ~ 7.28	2500	410 ~ 2690	11.0	1.8 ~ 11.9	99
	2.5+6.0	2.12	---	5.08	---	7.20	2.15 ~ 7.62	2670	420 ~ 2880	11.7	1.8 ~ 12.7	99
	2.5+7.1	1.95	---	---	5.55	7.50	2.27 ~ 7.98	2860	450 ~ 3180	12.6	2.0 ~ 13.9	99
	3.5+3.5	3.50	3.50	---	---	7.00	2.02 ~ 7.14	3090	460 ~ 3240	13.6	2.0 ~ 14.2	99
	3.5+5.0	2.96	---	4.24	---	7.20	2.15 ~ 7.63	2740	440 ~ 2950	12.0	1.8 ~ 12.9	99
	3.5+6.0	2.76	---	4.74	---	7.50	2.26 ~ 7.93	2920	460 ~ 3130	12.8	2.1 ~ 13.7	99
	3.5+7.1	2.48	---	---	5.02	7.50	2.39 ~ 8.23	2870	490 ~ 3390	12.6	2.2 ~ 14.7	99
	5.0+5.0	---	---	3.75	3.75	7.50	2.32 ~ 8.08	2680	460 ~ 3040	11.8	2.0 ~ 13.4	99
	5.0+6.0	---	---	3.41	4.09	7.50	2.45 ~ 8.31	2660	480 ~ 3190	11.7	2.1 ~ 14.0	99
	5.0+7.1	---	---	3.10	4.40	7.50	2.58 ~ 8.47	2610	510 ~ 3280	11.5	2.2 ~ 14.4	99
	6.0+6.0	---	---	3.75	3.75	7.50	2.57 ~ 8.47	2520	510 ~ 3170	11.1	2.2 ~ 13.9	99
	6.0+7.1	---	---	3.44	4.06	7.50	2.72 ~ 8.57	2510	540 ~ 3220	11.0	2.4 ~ 14.1	99
	2.0+2.0+2.0	2.00	2.00	2.00	---	6.00	1.94 ~ 6.71	1770	370 ~ 2180	7.8	1.6 ~ 9.6	99
	2.0+2.0+2.5	2.03	2.03	2.54	---	6.60	1.98 ~ 7.02	2110	380 ~ 2360	9.3	1.7 ~ 10.4	99
	2.0+2.0+3.5	1.84	1.84	3.22	---	6.90	2.04 ~ 7.45	2290	400 ~ 2660	10.1	1.8 ~ 11.7	99
	2.0+2.0+5.0	1.63	1.63	4.09	---	7.35	2.20 ~ 7.99	2370	430 ~ 2800	10.4	1.9 ~ 12.3	99
	2.0+2.0+6.0	1.50	1.50	4.50	---	7.50	2.33 ~ 8.35	2440	460 ~ 3030	10.7	2.0 ~ 13.3	99
	2.0+2.0+7.1	1.35	1.35	---	4.80	7.50	2.46 ~ 8.65	2420	480 ~ 3240	10.6	2.1 ~ 14.2	99
	2.0+2.5+2.5	1.93	2.41	2.41	---	6.75	2.05 ~ 7.24	2200	400 ~ 2520	9.7	1.8 ~ 11.1	99
	2.0+2.5+3.5	1.76	2.22	3.07	---	7.05	2.15 ~ 7.65	2380	430 ~ 2820	10.5	1.9 ~ 12.4	99
	2.0+2.5+5.0	1.58	1.97	3.95	---	7.50	2.32 ~ 8.20	2470	460 ~ 2960	10.8	2.0 ~ 13.0	99
	2.0+2.5+6.0	1.43	1.79	4.28	---	7.50	2.33 ~ 8.55	2440	460 ~ 3200	10.7	2.0 ~ 14.0	99
	2.0+2.5+7.1	1.29	1.62	---	4.59	7.50	2.46 ~ 8.72	2420	480 ~ 3300	10.6	2.1 ~ 14.5	99
	2.0+3.5+3.5	1.63	2.86	2.86	---	7.35	2.15 ~ 8.02	2580	430 ~ 3070	11.3	1.9 ~ 13.5	99
	2.0+3.5+5.0	1.43	2.50	3.57	---	7.50	2.33 ~ 8.55	2470	460 ~ 3230	10.8	2.0 ~ 14.1	99
	2.0+3.5+6.0	1.30	2.29	3.91	---	7.50	2.45 ~ 8.70	2450	490 ~ 3310	10.8	2.2 ~ 14.5	99
	2.0+3.5+7.1	1.19	2.08	---	4.23	7.50	2.60 ~ 8.92	2440	520 ~ 3470	10.7	2.3 ~ 15.3	99

3D051892-5

NOTES

- Cooling capacity is based on 27°CDB / 19°CWB (indoor temperature), 35°CDB (outdoor temperature).
- The total ability of connected a indoor unit is up to 13.5 kW
- The above is the value for connecting with the following indoor units.
 2.0, 2.5, 3.5kW class: wall mounted C series
 5.0, 6.0, 7.1 kW class: wall mounted B series

5 Capacity tables

5 - 1 Combination table

4MKS75E

Cooling [50Hz 230V]

Outdoor unit	Combination of indoor unit	Capacity of each indoor unit										
		Each capacity (kW)				Total capacity (kW)		Total input (W)		Total current (A)		Power factor %
		A Room	B Room	C Room	D Room	Rating	(Min.-max.)	Rating	(Min.-max.)	Rating	(Min.-max.)	Rating
4MKS75E2V1B	2.0+5.0+5.0	1.24	---	3.13	3.13	7.50	2.63 ~ 8.83	2310	510 ~ 3170	10.1	2.2 ~ 13.9	99
	2.0+5.0+6.0	1.15	---	2.89	3.46	7.50	2.78 ~ 8.96	2290	570 ~ 3250	10.1	2.5 ~ 14.2	99
	2.5+2.5+2.5	2.30	2.30	2.30	---	6.90	2.05 ~ 7.45	2290	390 ~ 2660	10.1	1.7 ~ 11.7	99
	2.5+2.5+3.5	2.12	2.12	2.96	---	7.20	2.15 ~ 7.85	2490	430 ~ 2970	10.9	1.9 ~ 12.9	99
	2.5+2.5+5.0	1.88	1.88	3.74	---	7.50	2.32 ~ 8.34	2470	460 ~ 3060	10.8	2.0 ~ 13.4	99
	2.5+2.5+6.0	1.70	1.70	4.10	---	7.50	2.45 ~ 8.61	2450	490 ~ 3250	10.8	2.2 ~ 14.3	99
	2.5+2.5+7.1	1.55	1.55	---	4.40	7.50	2.58 ~ 8.84	2440	520 ~ 3410	10.7	2.3 ~ 14.9	99
	2.5+3.5+3.5	1.98	2.76	2.76	---	7.50	2.26 ~ 8.20	2720	460 ~ 3230	11.9	2.0 ~ 14.1	99
	2.5+3.5+5.0	1.70	2.39	3.41	---	7.50	2.45 ~ 8.61	2470	490 ~ 3280	10.8	2.2 ~ 14.4	99
	2.5+3.5+6.0	1.56	2.19	3.75	---	7.50	2.57 ~ 8.82	2450	520 ~ 3420	10.8	2.3 ~ 15.0	99
	2.5+3.5+7.1	1.43	2.00	---	4.07	7.50	2.72 ~ 8.98	2440	540 ~ 3530	10.7	2.4 ~ 15.5	99
	2.5+5.0+5.0	1.50	---	3.00	3.00	7.50	2.63 ~ 8.90	2310	500 ~ 3220	10.1	2.2 ~ 14.1	99
	2.5+5.0+6.0	1.39	---	2.78	3.33	7.50	2.78 ~ 9.03	2290	570 ~ 3300	10.1	2.5 ~ 14.5	99
	3.5+3.5+3.5	2.50	2.50	2.50	---	7.50	2.38 ~ 8.49	2720	480 ~ 3390	11.9	2.2 ~ 14.8	99
	3.5+3.5+5.0	2.19	2.19	3.12	---	7.50	2.57 ~ 8.82	2470	520 ~ 3450	10.8	2.3 ~ 15.2	99
	3.5+3.5+6.0	2.02	2.02	3.46	---	7.50	2.71 ~ 8.97	2450	540 ~ 3540	10.8	2.4 ~ 15.6	99
	3.5+5.0+5.0	1.94	---	2.78	2.78	7.50	2.78 ~ 9.03	2310	570 ~ 3330	10.1	2.5 ~ 14.6	99
	2.0+2.0+2.0+2.0	1.76	1.76	1.76	1.76	7.04	2.07 ~ 7.81	2110	380 ~ 2560	9.3	1.7 ~ 11.3	99
	2.0+2.0+2.0+2.5	1.69	1.69	1.69	2.13	7.20	2.19 ~ 8.04	2190	410 ~ 2710	9.6	1.8 ~ 12.0	99
	2.0+2.0+2.0+3.5	1.58	1.58	1.58	2.76	7.50	2.33 ~ 8.27	2380	440 ~ 2870	10.5	1.9 ~ 12.6	99
	2.0+2.0+2.0+5.0	1.36	1.36	1.36	3.42	7.50	2.50 ~ 8.77	2250	500 ~ 2970	9.9	2.2 ~ 13.0	99
	2.0+2.0+2.0+6.0	1.25	1.25	1.25	3.75	7.50	2.65 ~ 9.06	2220	530 ~ 3170	9.7	2.3 ~ 13.9	99
	2.0+2.0+2.0+7.1	1.15	1.15	1.15	4.05	7.50	2.79 ~ 9.23	2170	560 ~ 3270	9.5	2.5 ~ 14.3	99
	2.0+2.0+2.5+2.5	1.63	1.63	2.04	2.04	7.34	2.19 ~ 8.12	2290	410 ~ 2770	10.1	1.8 ~ 12.2	99
	2.0+2.0+2.5+3.5	1.50	1.50	1.88	2.62	7.50	2.33 ~ 8.42	2380	440 ~ 2970	10.5	1.9 ~ 13.0	99
	2.0+2.0+2.5+5.0	1.30	1.30	1.64	3.26	7.50	2.50 ~ 8.85	2250	500 ~ 3020	9.9	2.2 ~ 13.3	99
	2.0+2.0+2.5+6.0	1.20	1.20	1.50	3.60	7.50	2.65 ~ 9.13	2220	530 ~ 3220	9.7	2.3 ~ 14.1	99
	2.0+2.0+3.5+3.5	1.36	1.36	2.39	2.39	7.50	2.45 ~ 8.75	2380	470 ~ 3240	10.5	2.1 ~ 14.2	99
	2.0+2.0+3.5+5.0	1.20	1.20	2.10	3.00	7.50	2.65 ~ 9.14	2230	530 ~ 3240	9.8	2.3 ~ 14.2	99
	2.0+2.0+3.5+6.0	1.11	1.11	1.95	3.33	7.50	2.78 ~ 9.27	2220	560 ~ 3330	9.7	2.5 ~ 14.6	99
	2.0+2.5+2.5+2.5	1.59	1.97	1.97	1.97	7.50	2.32 ~ 8.27	2390	440 ~ 2870	10.5	1.9 ~ 12.6	99
	2.0+2.5+2.5+3.5	1.43	1.79	1.79	2.49	7.50	2.45 ~ 8.56	2380	470 ~ 3080	10.5	2.1 ~ 13.5	99
	2.0+2.5+2.5+5.0	1.25	1.56	1.56	3.13	7.50	2.63 ~ 9.00	2230	530 ~ 3130	9.8	2.3 ~ 13.7	99
	2.0+2.5+2.5+6.0	1.15	1.44	1.44	3.47	7.50	2.78 ~ 9.27	2220	560 ~ 3330	9.7	2.5 ~ 14.6	99
	2.0+2.5+3.5+3.5	1.30	1.64	2.28	2.28	7.50	2.45 ~ 8.88	2380	470 ~ 3350	10.5	2.1 ~ 14.7	99
	2.0+2.5+3.5+5.0	1.15	1.44	2.03	2.88	7.50	2.78 ~ 9.28	2230	560 ~ 3350	9.8	2.5 ~ 14.7	99
	2.0+3.5+3.5+3.5	1.20	2.10	2.10	2.10	7.50	2.59 ~ 9.18	2380	500 ~ 3580	10.5	2.2 ~ 15.7	99
	2.5+2.5+2.5+2.5	1.87	1.87	1.87	1.87	7.48	2.32 ~ 8.41	2330	440 ~ 2970	10.2	1.9 ~ 13.0	99
	2.5+2.5+2.5+3.5	1.70	1.70	1.70	2.40	7.50	2.45 ~ 8.76	2380	470 ~ 3240	10.5	2.1 ~ 14.2	99
	2.5+2.5+2.5+5.0	1.50	1.50	1.50	3.00	7.50	2.63 ~ 9.14	2230	530 ~ 3240	9.8	2.3 ~ 14.2	99
	2.5+2.5+2.5+6.0	1.39	1.39	1.39	3.33	7.50	2.78 ~ 9.27	2220	550 ~ 3330	9.7	2.4 ~ 14.6	99

3D051892-6

NOTES

- Cooling capacity is based on 27°CDB / 19°CWB (indoor temperature), 35°CDB (outdoor temperature).
- The total ability of connected a indoor unit is up to 13.5 kW
- The above is the value for connecting with the following indoor units.
2.0, 2.5, 3.5 kW class: wall mounted C series
5.0, 6.0, 7.1 kW class: wall mounted B series

5 Capacity tables

5 - 1 Combination table

4MKS75E

Cooling [50Hz 230V]

Outdoor unit	Combination of indoor unit	Capacity of each indoor unit										
		Each capacity (kW)				Total capacity (kW)		Total input (W)		Total current (A)		Power factor %
		A Room	B Room	C Room	D Room	Rating	(Min.-max.)	Rating	(Min.-max.)	Rating	(Min.-max.)	Rating
4MKS75E2V1B	2.5+2.5+3.5+3.5	1.56	1.56	2.19	2.19	7.50	2.57 ~ 9.01	2360	490 ~ 3430	10.4	2.2 ~ 15.0	99
	2.5+2.5+3.5+5.0	1.39	1.39	1.94	2.78	7.50	2.78 ~ 9.28	2230	560 ~ 3340	9.8	2.5 ~ 14.6	99
	2.5+3.5+3.5+3.5	1.44	2.02	2.02	2.02	7.50	2.71 ~ 9.24	2380	530 ~ 3630	10.5	2.3 ~ 16.1	99

3D051892-7

NOTES

- Cooling capacity is based on 27°CDB / 19°CWB (indoor temperature), 35°CDB (outdoor temperature).
- The total ability of connected a indoor unit is up to 13.5 kW
- The above is the value for connecting with the following indoor units.
 2.0, 2.5, 3.5 kW class: wall mounted C series
 5.0, 6.0, 7.1 kW class: wall mounted B series

5 Capacity tables

5 - 1 Combination table

Cooling [50Hz 230V]

Outdoor unit	Combination of indoor unit	Capacity of each indoor unit											
		Each capacity (kW)					Total capacity (kW)		Total input (W)		Total current (A)		Power factor %
		A Room	B Room	C Room	D Room	E Room	Rating	(Min.-max.)	Rating	(Min.-max.)	Rating	(Min.-max.)	Rating
5MKS90E7V3B	2.0	2.00	---	---	---	---	2.00	1.72 ~ 3.03	0.59	0.41 ~ 1.05	2.6	1.8 ~ 4.7	98
	2.5	2.50	---	---	---	---	2.50	1.79 ~ 3.54	0.74	0.45 ~ 1.25	3.3	2.0 ~ 5.5	98
	3.5	3.50	---	---	---	---	3.50	1.83 ~ 4.68	1.17	0.45 ~ 1.46	5.2	2.0 ~ 6.5	98
	5.0	5.00	---	---	---	---	5.00	1.98 ~ 5.65	1.59	0.46 ~ 1.83	7.1	2.0 ~ 8.1	98
	6.0	6.00	---	---	---	---	6.00	2.08 ~ 6.60	1.97	0.43 ~ 2.39	8.7	1.9 ~ 10.6	98
	7.1	7.10	---	---	---	---	7.10	2.18 ~ 7.26	2.66	0.46 ~ 2.78	11.8	2.0 ~ 12.3	98
	2.0+2.0	2.00	2.00	---	---	---	4.00	1.88 ~ 5.16	1.17	0.46 ~ 1.78	5.2	2.0 ~ 7.9	98
	2.0+2.5	2.00	2.50	---	---	---	4.50	1.93 ~ 5.57	1.33	0.43 ~ 1.78	5.9	1.9 ~ 7.9	98
	2.0+3.5	2.00	3.50	---	---	---	5.50	2.03 ~ 6.18	1.78	0.43 ~ 2.07	7.9	1.9 ~ 9.2	98
	2.0+5.0	2.00	5.00	---	---	---	7.00	2.18 ~ 7.31	2.32	0.47 ~ 2.55	10.3	2.1 ~ 11.3	98
	2.0+6.0	1.86	5.56	---	---	---	7.42	2.30 ~ 7.96	2.55	0.50 ~ 2.97	11.3	2.2 ~ 13.2	98
	2.0+7.1	1.71	6.09	---	---	---	7.80	2.45 ~ 8.22	2.85	0.53 ~ 3.10	12.6	2.4 ~ 13.8	98
	2.5+2.5	2.50	2.50	---	---	---	5.00	1.98 ~ 6.02	1.42	0.43 ~ 1.97	6.3	1.9 ~ 8.7	98
	2.5+3.5	2.50	3.50	---	---	---	6.00	2.08 ~ 6.60	1.97	0.43 ~ 2.33	8.7	1.9 ~ 10.3	98
	2.5+5.0	2.41	4.83	---	---	---	7.24	2.24 ~ 7.64	2.49	0.47 ~ 2.72	11.0	2.1 ~ 12.1	98
	2.5+6.0	2.23	5.36	---	---	---	7.59	2.37 ~ 8.03	2.67	0.50 ~ 2.97	11.8	2.2 ~ 13.2	98
	2.5+7.1	2.08	5.90	---	---	---	7.98	2.51 ~ 8.22	2.98	0.53 ~ 3.10	13.2	2.4 ~ 13.8	98
	3.5+3.5	3.50	3.50	---	---	---	7.00	2.18 ~ 7.27	2.61	0.46 ~ 2.78	11.6	2.0 ~ 12.3	98
	3.5+5.0	3.13	4.46	---	---	---	7.59	2.37 ~ 8.01	2.73	0.50 ~ 2.97	12.1	2.2 ~ 13.2	98
	3.5+6.0	2.93	5.01	---	---	---	7.94	2.50 ~ 8.21	2.91	0.53 ~ 3.10	12.9	2.4 ~ 13.8	98
	3.5+7.1	2.75	5.58	---	---	---	8.33	2.64 ~ 8.41	3.24	0.57 ~ 3.29	14.4	2.5 ~ 14.6	98
	5.0+5.0	4.06	4.06	---	---	---	8.12	2.57 ~ 8.76	2.72	0.54 ~ 3.18	12.1	2.4 ~ 14.1	98
	5.0+6.0	3.85	4.62	---	---	---	8.47	2.70 ~ 8.79	2.98	0.57 ~ 3.19	13.2	2.5 ~ 14.2	98
	5.0+7.1	3.66	5.20	---	---	---	8.86	2.84 ~ 8.99	3.26	0.60 ~ 3.33	14.5	2.7 ~ 14.8	98
	6.0+6.0	4.41	4.41	---	---	---	8.82	2.83 ~ 9.00	3.19	0.60 ~ 3.33	14.2	2.7 ~ 14.8	98
	6.0+7.1	4.12	4.88	---	---	---	9.00	2.97 ~ 9.02	3.26	0.64 ~ 3.33	14.5	2.8 ~ 14.8	98
	7.1+7.1	4.50	4.50	---	---	---	9.00	3.12 ~ 9.04	3.20	0.64 ~ 3.34	14.2	2.8 ~ 14.8	98

3D052440-2A

NOTES

- Cooling capacity is based on 27°CDB / 19°CWB (indoor temperature), 35°CDB (outdoor temperature). Heating capacity is based on 20°CDB (indoor temperature), 7°CDB/6°CWB (outdoor temperature).
- The total ability of connected a indoor unit is up to 15.6 kW
- It is impossible to connect the indoor unit for one room only.
- The above is the value for connecting with the following indoor units.
2.0, 2.5, 3.5 kW class: wall mounted D series
5.0, 6.0, 7.1 kW class: wall mounted E series

5 Capacity tables

5 - 1 Combination table

Cooling [50Hz 230V]

Outdoor unit	Combination of indoor unit	Capacity of each indoor unit												
		Each capacity (kW)					Total capacity (kW)		Total input (W)		Total current (A)		Power factor %	
		A Room	B Room	C Room	D Room	E Room	Rating	(Min.-max.)	Rating	(Min.-max.)	Rating	(Min.-max.)	Rating	
5MKS90E7V3B	2.0+2.0+2.0	2.00	2.00	2.00	---	---	6.00	2.08 ~ 6.63	1.75	0.47 ~ 2.05	7.8	2.1 ~ 9.1	98	
	2.0+2.0+2.5	2.00	2.00	2.50	---	---	6.50	2.13 ~ 6.97	2.00	0.47 ~ 2.27	8.9	2.1 ~ 10.1	98	
	2.0+2.0+3.5	1.93	1.93	3.38	---	---	7.24	2.24 ~ 7.64	2.44	0.47 ~ 2.73	10.8	2.1 ~ 12.1	98	
	2.0+2.0+5.0	1.72	1.72	4.33	---	---	7.77	2.43 ~ 8.53	2.48	0.51 ~ 2.99	11.0	2.3 ~ 13.3	98	
	2.0+2.0+6.0	1.62	1.62	4.88	---	---	8.12	2.57 ~ 8.84	2.73	0.54 ~ 3.19	12.1	2.4 ~ 14.2	98	
	2.0+2.0+7.1	1.53	1.53	5.45	---	---	8.51	2.71 ~ 9.03	2.99	0.57 ~ 3.34	13.3	2.5 ~ 14.8	98	
	2.0+2.5+2.5	2.00	2.50	2.50	---	---	7.00	2.18 ~ 7.31	2.32	0.47 ~ 2.49	10.3	2.1 ~ 11.0	98	
	2.0+2.5+3.5	1.86	2.32	3.24	---	---	7.42	2.30 ~ 7.96	2.55	0.50 ~ 2.91	11.3	2.2 ~ 12.9	98	
	2.0+2.5+5.0	1.67	2.09	4.18	---	---	7.94	2.50 ~ 8.78	2.60	0.54 ~ 3.19	11.5	2.4 ~ 14.2	98	
	2.0+2.5+6.0	1.58	1.98	4.74	---	---	8.30	2.63 ~ 8.84	2.86	0.54 ~ 3.19	12.7	2.4 ~ 14.2	98	
	2.0+2.5+7.1	1.50	1.87	5.31	---	---	8.68	2.78 ~ 9.03	3.13	0.57 ~ 3.34	13.9	2.5 ~ 14.8	98	
	2.0+3.5+3.5	1.73	3.02	3.02	---	---	7.77	2.43 ~ 8.23	2.79	0.53 ~ 3.11	12.4	2.4 ~ 13.8	98	
	2.0+3.5+5.0	1.58	2.77	3.95	---	---	8.30	2.63 ~ 8.81	2.86	0.54 ~ 3.19	12.7	2.4 ~ 14.2	98	
	2.0+3.5+6.0	1.50	2.63	4.52	---	---	8.65	2.76 ~ 9.02	3.06	0.57 ~ 3.33	13.6	2.5 ~ 14.8	98	
	2.0+3.5+7.1	1.43	2.50	5.07	---	---	9.00	2.91 ~ 9.04	3.34	0.60 ~ 3.39	14.8	2.7 ~ 15.0	98	
	2.0+5.0+5.0	1.46	3.68	3.68	---	---	8.82	2.83 ~ 9.57	2.85	0.58 ~ 3.42	12.6	2.6 ~ 15.2	98	
	2.0+5.0+6.0	1.39	3.46	4.15	---	---	9.00	2.96 ~ 9.61	2.92	0.61 ~ 3.42	13.0	2.7 ~ 15.2	98	
	2.0+5.0+7.1	1.28	3.19	4.53	---	---	9.00	3.10 ~ 9.63	2.86	0.64 ~ 3.43	12.7	2.8 ~ 15.2	98	
	2.0+6.0+6.0	1.28	3.86	3.86	---	---	9.00	3.09 ~ 9.64	2.86	0.64 ~ 3.43	12.7	2.8 ~ 15.2	98	
	2.0+6.0+7.1	1.19	3.58	4.23	---	---	9.00	3.23 ~ 10.10	2.79	0.64 ~ 3.97	12.4	2.8 ~ 17.6	98	
	2.5+2.5+2.5	2.41	2.41	2.41	---	---	7.23	2.24 ~ 7.64	2.43	0.47 ~ 2.73	10.8	2.1 ~ 12.1	98	
	2.5+2.5+3.5	2.23	2.23	3.13	---	---	7.59	2.37 ~ 8.05	2.67	0.50 ~ 2.98	11.8	2.2 ~ 13.2	98	
	2.5+2.5+5.0	2.03	2.03	4.06	---	---	8.12	2.57 ~ 8.80	2.73	0.54 ~ 3.19	12.1	2.4 ~ 14.2	98	
	2.5+2.5+6.0	1.93	1.93	4.61	---	---	8.47	2.70 ~ 8.84	2.92	0.57 ~ 3.19	13.0	2.5 ~ 14.2	98	
	2.5+2.5+7.1	1.83	1.83	5.20	---	---	8.86	2.84 ~ 9.03	3.27	0.60 ~ 3.34	14.5	2.7 ~ 14.8	98	
	2.5+3.5+3.5	2.08	2.93	2.93	---	---	7.94	2.50 ~ 8.23	2.92	0.53 ~ 3.11	13.0	2.4 ~ 13.8	98	
	2.5+3.5+5.0	1.93	2.70	3.84	---	---	8.47	2.70 ~ 8.81	2.99	0.57 ~ 3.19	13.3	2.5 ~ 14.2	98	
	2.5+3.5+6.0	1.84	2.57	4.41	---	---	8.82	2.83 ~ 9.02	3.19	0.60 ~ 3.33	14.2	2.7 ~ 14.8	98	
	2.5+3.5+7.1	1.72	2.40	4.88	---	---	9.00	2.97 ~ 9.04	3.34	0.60 ~ 3.39	14.8	2.7 ~ 15.0	98	
	2.5+5.0+5.0	1.80	3.60	3.60	---	---	9.00	2.89 ~ 9.57	2.99	0.61 ~ 3.42	13.3	2.7 ~ 15.2	98	
2.5+5.0+6.0	1.67	3.33	4.00	---	---	9.00	3.02 ~ 9.61	2.99	0.61 ~ 3.42	13.3	2.7 ~ 15.2	98		
2.5+5.0+7.1	1.54	3.08	4.38	---	---	9.00	3.17 ~ 9.63	2.92	0.64 ~ 3.43	13.0	2.8 ~ 15.2	98		
2.5+6.0+6.0	1.56	3.72	3.72	---	---	9.00	3.16 ~ 9.64	2.93	0.64 ~ 3.43	13.0	2.8 ~ 15.2	98		
2.5+6.0+7.1	1.44	3.46	4.10	---	---	9.00	3.30 ~ 10.10	2.86	0.67 ~ 3.97	12.7	3.0 ~ 17.6	98		
3.5+3.5+3.5	2.77	2.77	2.77	---	---	8.31	2.63 ~ 8.35	3.17	0.57 ~ 3.24	14.1	2.5 ~ 14.4	98		
3.5+3.5+5.0	2.57	2.57	3.68	---	---	8.82	2.83 ~ 8.99	3.26	0.60 ~ 3.33	14.5	2.7 ~ 14.8	98		
3.5+3.5+6.0	2.42	2.42	4.16	---	---	9.00	2.86 ~ 9.03	3.26	0.60 ~ 3.33	14.5	2.7 ~ 14.8	98		
3.5+3.5+7.1	2.23	2.23	4.54	---	---	9.00	3.10 ~ 9.05	3.20	0.64 ~ 3.34	14.2	2.8 ~ 14.8	98		
3.5+5.0+5.0	2.34	3.33	3.33	---	---	9.00	3.02 ~ 9.58	2.99	0.61 ~ 3.42	13.3	2.7 ~ 15.2	98		
3.5+5.0+6.0	2.18	3.10	3.72	---	---	9.00	3.16 ~ 9.62	2.99	0.64 ~ 3.43	13.3	2.8 ~ 15.2	98		
3.5+5.0+7.1	2.02	2.88	4.10	---	---	9.00	3.30 ~ 10.07	2.93	0.67 ~ 3.97	13.0	3.0 ~ 17.6	98		
3.5+6.0+6.0	2.04	3.48	3.48	---	---	9.00	3.29 ~ 10.08	2.93	0.67 ~ 3.97	13.0	3.0 ~ 17.6	98		
5.0+5.0+5.0	3.00	3.00	3.00	---	---	9.00	3.22 ~ 10.45	2.70	0.64 ~ 3.83	12.0	2.8 ~ 17.0	98		

3D052440-3A

NOTES

- Cooling capacity is based on 27°CDB / 19°CWB (indoor temperature), 35°CDB (outdoor temperature). Heating capacity is based on 20°CDB (indoor temperature), 7°CDB/6°CWB (outdoor temperature).
- The total ability of connected indoor unit is up to 15.6 kW
- It is impossible to connect the indoor unit for one room only.
- The above is the value for connecting with the following indoor units.
2.0, 2.5, 3.5 kW class: wall mounted D series
5.0, 6.0, 7.1 kW class: wall mounted E series

5 Capacity tables

5 - 1 Combination table

Cooling [50Hz 230V]

Outdoor unit	Combination of indoor unit	Capacity of each indoor unit											
		Each capacity (kW)					Total capacity (kW)		Total input (W)		Total current (A)		Power factor %
		A Room	B Room	C Room	D Room	E Room	Rating	(Min.-max.)	Rating	(Min.-max.)	Rating	(Min.-max.)	Rating
SMKS90E7V3B	2.0+2.0+2.0+2.0	1.86	1.86	1.86	1.86	---	7.44	2.30 ~ 7.96	2.13	0.51 ~ 2.42	9.4	2.3 ~ 10.7	98
	2.0+2.0+2.0+2.5	1.79	1.79	1.79	2.22	---	7.59	2.37 ~ 8.25	2.25	0.51 ~ 2.61	10.0	2.3 ~ 11.6	98
	2.0+2.0+2.0+3.5	1.67	1.67	1.67	2.93	---	7.94	2.50 ~ 8.78	2.42	0.54 ~ 2.99	10.7	2.4 ~ 13.3	98
	2.0+2.0+2.0+5.0	1.54	1.54	1.54	3.85	---	8.47	2.70 ~ 9.44	2.59	0.55 ~ 3.28	11.5	2.4 ~ 14.6	98
	2.0+2.0+2.0+6.0	1.47	1.47	1.47	4.41	---	8.82	2.83 ~ 9.65	2.86	0.58 ~ 3.43	12.7	2.6 ~ 15.2	98
	2.0+2.0+2.0+7.1	1.37	1.37	1.37	4.89	---	9.00	2.97 ~ 9.68	2.93	0.61 ~ 3.44	13.0	2.7 ~ 15.3	98
	2.0+2.0+2.5+2.5	1.73	1.73	2.16	2.16	---	7.78	2.43 ~ 8.53	2.30	0.51 ~ 2.79	10.2	2.3 ~ 12.4	98
	2.0+2.0+2.5+3.5	1.62	1.62	2.03	2.85	---	8.12	2.57 ~ 8.86	2.67	0.54 ~ 3.20	11.8	2.4 ~ 14.2	98
	2.0+2.0+2.5+5.0	1.50	1.50	1.88	3.77	---	8.65	2.76 ~ 9.62	2.72	0.58 ~ 3.43	12.1	2.6 ~ 15.2	98
	2.0+2.0+2.5+6.0	1.44	1.44	1.80	4.32	---	9.00	2.89 ~ 9.65	3.00	0.58 ~ 3.43	13.3	2.6 ~ 15.2	98
	2.0+2.0+2.5+7.1	1.32	1.32	1.65	4.71	---	9.00	3.04 ~ 9.68	2.93	0.61 ~ 3.44	13.0	2.7 ~ 15.3	98
	2.0+2.0+3.5+3.5	1.54	1.54	2.70	2.70	---	8.48	2.70 ~ 8.86	2.93	0.57 ~ 3.20	13.0	2.5 ~ 14.2	98
	2.0+2.0+3.5+5.0	1.44	1.44	2.52	3.60	---	9.00	2.89 ~ 9.63	2.99	0.58 ~ 3.43	13.3	2.6 ~ 15.2	98
	2.0+2.0+3.5+6.0	1.33	1.33	2.34	4.00	---	9.00	3.02 ~ 9.66	2.86	0.61 ~ 3.43	12.7	2.7 ~ 15.2	98
	2.0+2.0+3.5+7.1	1.23	1.23	2.16	4.38	---	9.00	3.17 ~ 9.68	2.79	0.64 ~ 3.44	12.4	2.8 ~ 15.3	98
	2.0+2.0+5.0+5.0	1.29	1.29	3.21	3.21	---	9.00	3.09 ~ 10.22	2.64	0.61 ~ 3.52	11.7	2.7 ~ 15.6	98
	2.0+2.0+5.0+6.0	1.20	1.20	3.00	3.60	---	9.00	3.22 ~ 10.45	2.64	0.64 ~ 3.77	11.7	2.8 ~ 16.7	98
	2.0+2.5+2.5+2.5	1.67	2.09	2.09	2.09	---	7.94	2.50 ~ 8.78	2.42	0.54 ~ 2.99	10.7	2.4 ~ 13.3	98
	2.0+2.5+2.5+3.5	1.57	1.98	1.98	2.77	---	8.30	2.63 ~ 8.86	2.80	0.54 ~ 3.20	12.4	2.4 ~ 14.2	98
	2.0+2.5+2.5+5.0	1.46	1.84	1.84	3.68	---	8.82	2.83 ~ 9.62	2.86	0.58 ~ 3.43	12.7	2.6 ~ 15.2	98
	2.0+2.5+2.5+6.0	1.39	1.73	1.73	4.15	---	9.00	2.96 ~ 9.65	2.93	0.61 ~ 3.43	13.0	2.7 ~ 15.2	98
	2.0+2.5+2.5+7.1	1.27	1.60	1.60	4.53	---	9.00	3.10 ~ 9.68	2.79	0.64 ~ 3.44	12.4	2.8 ~ 15.3	98
	2.0+2.5+3.5+3.5	1.50	1.89	2.63	2.63	---	8.65	2.76 ~ 9.04	3.06	0.57 ~ 3.34	13.6	2.5 ~ 14.8	98
	2.0+2.5+3.5+5.0	1.39	1.73	2.42	3.46	---	9.00	2.96 ~ 9.63	2.99	0.61 ~ 3.43	13.3	2.7 ~ 15.2	98
	2.0+2.5+3.5+6.0	1.28	1.61	2.25	3.86	---	9.00	3.09 ~ 9.66	2.86	0.64 ~ 3.43	12.7	2.8 ~ 15.2	98
	2.0+2.5+3.5+7.1	1.19	1.49	2.09	4.23	---	9.00	3.23 ~ 10.12	2.79	0.64 ~ 3.98	12.4	2.8 ~ 17.7	98
	2.0+2.5+5.0+5.0	1.25	1.55	3.10	3.10	---	9.00	3.16 ~ 10.22	2.64	0.61 ~ 3.52	11.7	2.7 ~ 15.6	98
	2.0+2.5+5.0+6.0	1.17	1.45	2.90	3.48	---	9.00	3.29 ~ 10.49	2.64	0.64 ~ 3.77	11.7	2.8 ~ 16.7	98
	2.0+3.5+3.5+3.5	1.44	2.52	2.52	2.52	---	9.00	2.89 ~ 9.05	3.34	0.60 ~ 3.39	14.8	2.7 ~ 15.0	98
	2.0+3.5+3.5+5.0	1.29	2.25	2.25	3.21	---	9.00	3.09 ~ 9.63	2.99	0.64 ~ 3.43	13.3	2.8 ~ 15.2	98
	2.0+3.5+3.5+6.0	1.20	2.10	2.10	3.60	---	9.00	3.22 ~ 10.10	2.86	0.64 ~ 3.97	12.7	2.8 ~ 17.6	98
	2.0+3.5+5.0+5.0	1.17	2.03	2.90	2.90	---	9.00	3.29 ~ 10.49	2.64	0.64 ~ 3.84	11.7	2.8 ~ 17.0	98
	2.5+2.5+2.5+2.5	2.03	2.03	2.03	2.03	---	8.12	2.57 ~ 8.85	2.67	0.54 ~ 3.19	11.8	2.4 ~ 14.2	98
	2.5+2.5+2.5+3.5	1.93	1.93	1.93	2.68	---	8.47	2.70 ~ 8.86	2.93	0.57 ~ 3.20	13.0	2.5 ~ 14.2	98
	2.5+2.5+2.5+5.0	1.80	1.80	1.80	3.60	---	9.00	2.89 ~ 9.62	2.99	0.58 ~ 3.43	13.3	2.6 ~ 15.2	98
	2.5+2.5+2.5+6.0	1.67	1.67	1.67	3.99	---	9.00	3.02 ~ 9.65	2.93	0.61 ~ 3.43	13.0	2.7 ~ 15.2	98
	2.5+2.5+2.5+7.1	1.54	1.54	1.54	4.38	---	9.00	3.17 ~ 9.68	2.79	0.64 ~ 3.44	12.4	2.8 ~ 15.3	98
	2.5+2.5+3.5+3.5	1.84	1.84	2.57	2.57	---	8.82	2.83 ~ 9.04	3.20	0.60 ~ 3.34	14.2	2.7 ~ 14.8	98
	2.5+2.5+3.5+5.0	1.67	1.67	2.33	3.33	---	9.00	3.02 ~ 9.63	2.99	0.61 ~ 3.43	13.3	2.7 ~ 15.2	98
	2.5+2.5+3.5+6.0	1.55	1.55	2.18	3.72	---	9.00	3.16 ~ 9.66	2.86	0.64 ~ 3.43	12.7	2.8 ~ 15.2	98
2.5+2.5+3.5+7.1	1.44	1.44	2.02	4.10	---	9.00	3.30 ~ 10.12	2.79	0.67 ~ 3.98	12.4	3.0 ~ 17.7	98	

3D052440-4A

NOTES

- Cooling capacity is based on 27°CDB / 19°CWB (indoor temperature), 35°CDB (outdoor temperature). Heating capacity is based on 20°CDB (indoor temperature), 7°CDB/6°CWB (outdoor temperature).
- The total ability of connected a indoor unit is up to 15.6 kW
- It is impossible to connect the indoor unit for one room only.
- The above is the value for connecting with the following indoor units.
2.0, 2.5, 3.5 kW class: wall mounted D series
5.0, 6.0, 7.1 kW class: wall mounted E series

5 Capacity tables

5 - 1 Combination table

Cooling [50Hz 230V]

Outdoor unit	Combination of indoor unit	Capacity of each indoor unit											
		Each capacity (kW)					Total capacity (kW)		Total input (W)		Total current (A)		Power factor %
		A Room	B Room	C Room	D Room	E Room	Rating	(Min.-max.)	Rating	(Min.-max.)	Rating	(Min.-max.)	Rating
5MKS90E7V3B	2.5+2.5+5.0+5.0	1.50	1.50	3.00	3.00	---	9.00	3.22 ~ 10.45	2.64	0.64 ~ 3.76	11.7	2.8 ~ 16.7	98
	2.5+3.5+3.5+3.5	1.74	2.42	2.42	2.42	---	9.00	2.96 ~ 9.07	3.34	0.60 ~ 3.39	14.8	2.7 ~ 15.0	98
	2.5+3.5+3.5+5.0	1.56	2.17	2.17	3.10	---	9.00	3.16 ~ 9.63	2.99	0.64 ~ 3.43	13.3	2.8 ~ 15.2	98
	2.5+3.5+3.5+6.0	1.46	2.03	2.03	3.48	---	9.00	3.29 ~ 10.10	2.86	0.67 ~ 3.97	12.7	3.0 ~ 17.6	98
	3.5+3.5+3.5+3.5	2.25	2.25	2.25	2.25	---	9.00	3.09 ~ 9.05	3.34	0.64 ~ 3.39	14.8	2.8 ~ 15.0	98
	3.5+3.5+3.5+5.0	2.03	2.03	2.03	2.91	---	9.00	3.29 ~ 10.07	3.00	0.67 ~ 3.97	13.3	3.0 ~ 17.6	98
	2.0+2.0+2.0+2.0	1.63	1.63	1.63	1.63	1.63	8.16	2.57 ~ 9.03	2.40	0.55 ~ 3.00	10.6	2.4 ~ 13.3	98
	2.0+2.0+2.0+2.5	1.58	1.58	1.58	1.58	1.98	8.30	2.63 ~ 9.25	2.47	0.55 ~ 3.14	11.0	2.4 ~ 13.9	98
	2.0+2.0+2.0+3.5	1.50	1.50	1.50	1.50	2.65	8.65	2.76 ~ 9.64	2.73	0.58 ~ 3.43	12.1	2.6 ~ 15.2	98
	2.0+2.0+2.0+4.5	1.38	1.38	1.38	1.38	3.48	9.00	2.96 ~ 10.09	2.64	0.58 ~ 3.45	11.7	2.6 ~ 15.3	98
	2.0+2.0+2.0+6.0	1.29	1.29	1.29	1.29	3.84	9.00	3.09 ~ 10.30	2.68	0.61 ~ 3.53	11.9	2.7 ~ 15.7	98
	2.0+2.0+2.0+7.1	1.19	1.19	1.19	1.19	4.24	9.00	3.23 ~ 10.46	2.58	0.64 ~ 3.70	11.4	2.8 ~ 16.4	98
	2.0+2.0+2.0+7.5	1.54	1.54	1.54	1.92	1.92	8.46	2.70 ~ 9.45	2.59	0.55 ~ 3.29	11.5	2.4 ~ 14.6	98
	2.0+2.0+2.0+5+3.5	1.47	1.47	1.47	1.84	2.57	8.82	2.83 ~ 9.67	2.79	0.58 ~ 3.43	12.4	2.6 ~ 15.2	98
	2.0+2.0+2.0+5+5.0	1.33	1.33	1.33	1.67	3.34	9.00	3.02 ~ 10.21	2.64	0.61 ~ 3.53	11.7	2.7 ~ 15.7	98
	2.0+2.0+2.0+5+6.0	1.24	1.24	1.24	1.55	3.73	9.00	3.16 ~ 10.30	2.68	0.61 ~ 3.53	11.9	2.7 ~ 15.7	98
	2.0+2.0+2.0+5+7.1	1.15	1.15	1.15	1.44	4.11	9.00	3.30 ~ 10.50	2.58	0.64 ~ 3.70	11.4	2.8 ~ 16.4	98
	2.0+2.0+2.0+3.5+3.5	1.54	1.54	1.54	1.92	1.92	8.46	2.70 ~ 9.45	2.59	0.55 ~ 3.29	11.5	2.4 ~ 14.6	98
	2.0+2.0+2.0+3.5+5.0	1.24	1.24	1.24	2.17	3.11	9.00	3.16 ~ 10.27	2.68	0.61 ~ 3.53	11.9	2.7 ~ 15.7	98
	2.0+2.0+2.0+3.5+6.0	1.16	1.16	1.16	2.03	3.49	9.00	3.29 ~ 10.49	2.65	0.64 ~ 3.69	11.8	2.8 ~ 16.4	98
	2.0+2.0+2.0+5+2.5	1.51	1.51	1.88	1.88	1.88	8.66	2.76 ~ 9.64	2.73	0.58 ~ 3.43	12.1	2.6 ~ 15.2	98
	2.0+2.0+2.0+5+3.5	1.44	1.44	1.80	1.80	2.52	9.00	2.89 ~ 9.67	2.93	0.58 ~ 3.43	13.0	2.6 ~ 15.2	98
	2.0+2.0+2.0+5+5.0	1.29	1.29	1.61	1.61	3.20	9.00	3.09 ~ 10.26	2.64	0.61 ~ 3.53	11.7	2.7 ~ 15.7	98
	2.0+2.0+2.0+5+6.0	1.20	1.20	1.50	1.50	3.60	9.00	3.22 ~ 10.45	2.64	0.64 ~ 3.69	11.7	2.8 ~ 16.4	98
	2.0+2.0+2.0+3.5+3.5	1.33	1.33	1.68	2.33	2.33	9.00	3.02 ~ 9.68	2.93	0.61 ~ 3.44	13.0	2.7 ~ 15.3	98
	2.0+2.0+2.0+3.5+5.0	1.20	1.20	1.50	2.10	3.00	9.00	3.22 ~ 10.45	2.64	0.64 ~ 3.69	11.7	2.8 ~ 16.4	98
	2.0+2.0+2.0+3.5+5.0	1.23	1.23	2.18	2.18	2.18	9.00	3.16 ~ 9.69	2.93	0.64 ~ 3.44	13.0	2.8 ~ 15.3	98
	2.0+2.0+2.0+5+2.5	1.46	1.84	1.84	1.84	1.84	8.82	2.83 ~ 9.67	2.86	0.58 ~ 3.43	12.7	2.6 ~ 15.2	98
	2.0+2.0+2.0+5+3.5	1.39	1.73	1.73	1.73	2.42	9.00	2.96 ~ 9.67	2.93	0.61 ~ 3.43	13.0	2.7 ~ 15.2	98
	2.0+2.0+2.0+5+5.0	1.25	1.55	1.55	1.55	3.10	9.00	3.16 ~ 10.26	2.64	0.61 ~ 3.53	11.7	2.7 ~ 15.7	98
	2.0+2.0+2.0+5+6.0	1.17	1.45	1.45	1.45	3.48	9.00	3.29 ~ 10.49	2.64	0.64 ~ 3.77	11.7	2.8 ~ 16.7	98
	2.0+2.0+2.0+3.5+3.5	1.28	1.61	1.61	2.25	2.25	9.00	3.09 ~ 9.68	2.93	0.64 ~ 3.44	13.0	2.8 ~ 15.3	98
	2.0+2.0+2.0+3.5+5.0	1.17	1.45	1.45	2.03	2.90	9.00	3.29 ~ 10.49	2.64	0.64 ~ 3.77	11.7	2.8 ~ 16.7	98
	2.0+2.0+2.0+3.5+3.5	1.20	1.50	2.10	2.10	2.10	9.00	3.22 ~ 10.12	2.93	0.64 ~ 3.98	13.0	2.8 ~ 17.7	98
	2.5+2.5+2.5+2.5	1.80	1.80	1.80	1.80	1.80	9.00	2.89 ~ 9.67	2.93	0.58 ~ 3.43	13.0	2.6 ~ 15.2	98
	2.5+2.5+2.5+2.5+3.5	1.67	1.67	1.67	1.67	2.32	9.00	3.02 ~ 9.67	2.86	0.61 ~ 3.43	12.7	2.7 ~ 15.2	98
	2.5+2.5+2.5+2.5+5.0	1.50	1.50	1.50	1.50	3.00	9.00	3.22 ~ 10.45	2.64	0.64 ~ 3.77	11.7	2.8 ~ 16.7	98
	2.5+2.5+2.5+3.5+3.5	1.56	1.56	1.56	2.16	2.16	9.00	3.16 ~ 9.68	2.93	0.64 ~ 3.44	13.0	2.8 ~ 15.3	98
	2.5+2.5+3.5+3.5+3.5	1.44	1.44	2.04	2.04	2.04	9.00	3.29 ~ 10.12	2.86	0.67 ~ 3.98	12.7	3.0 ~ 17.7	98

3D052440-5A

NOTES

- Cooling capacity is based on 27°CDB / 19°CWB (indoor temperature), 35°CDB (outdoor temperature). Heating capacity is based on 20°CDB (indoor temperature), 7°CDB/6°CWB (outdoor temperature).
- The total ability of connected a indoor unit is up to 15.6 kW
- It is impossible to connect the indoor unit for one room only.
- The above is the value for connecting with the following indoor units.
2.0, 2.5, 3.5 kW class: wall mounted D series
5.0, 6.0, 7.1 kW class: wall mounted E series

5 Capacity tables

5 - 1 Combination table

Cooling [50Hz 230V]

Outdoor unit	Combination of indoor unit	Capacity of each indoor unit												
		Each capacity (kW)					Total capacity (kW)		Total input (W)		Total current (A)		Power factor %	
		A Room	B Room	—	D Room	E Room	Rating	(Min.-max.)	Rating	(Min.-max.)	Rating	(Min.-max.)	Rating	
5MKS90E7V3B	2.0	2.00	---	---	---	---	2.00	1.72 ~ 3.03	0.59	0.41 ~ 1.05	2.6	1.8 ~ 4.7	98	
	2.5	2.50	---	---	---	---	2.50	1.79 ~ 3.54	0.74	0.45 ~ 1.25	3.3	2.0 ~ 5.5	98	
	3.5	3.50	---	---	---	---	3.50	1.83 ~ 4.66	1.17	0.45 ~ 1.45	5.2	2.0 ~ 6.4	98	
	5.0	5.00	---	---	---	---	5.00	1.98 ~ 5.65	1.59	0.46 ~ 1.78	7.1	2.0 ~ 7.9	98	
	6.0	6.00	---	---	---	---	6.00	2.08 ~ 6.60	1.97	0.43 ~ 2.39	8.7	1.9 ~ 10.6	98	
	7.1	7.10	---	---	---	---	7.10	2.18 ~ 7.26	2.66	0.46 ~ 2.78	11.8	2.0 ~ 12.3	98	
	2.0+2.0	2.00	2.00	---	---	---	4.00	1.88 ~ 5.12	1.21	0.46 ~ 1.78	5.4	2.0 ~ 7.9	98	
	2.0+2.5	2.00	2.50	---	---	---	4.50	1.93 ~ 5.53	1.37	0.42 ~ 1.78	6.1	1.9 ~ 7.9	98	
	2.0+3.5	2.00	3.50	---	---	---	5.50	2.03 ~ 6.13	1.78	0.42 ~ 2.07	7.9	1.9 ~ 9.2	98	
	2.0+5.0	2.00	5.00	---	---	---	7.00	2.18 ~ 7.31	2.32	0.47 ~ 2.54	10.3	2.1 ~ 11.3	98	
	2.0+6.0	1.86	5.56	---	---	---	7.42	2.30 ~ 7.96	2.61	0.50 ~ 2.97	11.6	2.2 ~ 13.2	98	
	2.0+7.1	1.71	6.09	---	---	---	7.80	2.45 ~ 8.20	2.85	0.53 ~ 3.10	12.6	2.4 ~ 13.8	98	
	2.5+2.5	2.50	2.50	---	---	---	5.00	1.98 ~ 5.98	1.46	0.42 ~ 1.97	6.5	1.9 ~ 8.7	98	
	2.5+3.5	2.50	3.50	---	---	---	6.00	2.08 ~ 6.60	2.02	0.42 ~ 2.38	9.0	1.9 ~ 10.6	98	
	2.5+5.0	2.41	4.83	---	---	---	7.24	2.24 ~ 7.64	2.49	0.47 ~ 2.78	11.0	2.1 ~ 12.3	98	
	2.5+6.0	2.23	5.36	---	---	---	7.59	2.37 ~ 8.01	2.73	0.50 ~ 2.97	12.1	2.2 ~ 13.2	98	
	2.5+7.1	2.08	5.90	---	---	---	7.98	2.51 ~ 8.20	2.97	0.53 ~ 3.10	13.2	2.4 ~ 13.8	98	
	3.5+3.5	3.50	3.50	---	---	---	7.00	2.18 ~ 7.21	2.66	0.46 ~ 2.77	11.8	2.0 ~ 12.3	98	
	3.5+5.0	3.13	4.46	---	---	---	7.59	2.37 ~ 7.97	2.72	0.50 ~ 2.97	12.1	2.2 ~ 13.2	98	
	3.5+6.0	2.93	5.01	---	---	---	7.94	2.50 ~ 8.18	2.97	0.53 ~ 3.10	13.2	2.4 ~ 13.8	98	
	3.5+7.1	2.75	5.58	---	---	---	8.33	2.64 ~ 8.20	3.23	0.57 ~ 3.10	14.3	2.5 ~ 13.8	98	
	5.0+5.0	4.06	4.06	---	---	---	8.12	2.57 ~ 8.76	2.72	0.54 ~ 3.18	12.1	2.4 ~ 14.1	98	
	5.0+6.0	3.85	4.62	---	---	---	8.47	2.70 ~ 8.79	2.98	0.57 ~ 3.19	13.2	2.5 ~ 14.2	98	
	5.0+7.1	3.66	5.20	---	---	---	8.86	2.84 ~ 8.99	3.26	0.60 ~ 3.33	14.5	2.7 ~ 14.8	98	
	6.0+6.0	4.41	4.41	---	---	---	8.82	2.83 ~ 9.00	3.19	0.60 ~ 3.33	14.2	2.7 ~ 14.8	98	
	6.0+7.1	4.12	4.88	---	---	---	9.00	2.97 ~ 9.02	3.26	0.64 ~ 3.33	14.5	2.8 ~ 14.8	98	
	7.1+7.1	4.50	4.50	---	---	---	9.00	3.12 ~ 9.04	3.20	0.64 ~ 3.34	14.2	2.8 ~ 14.8	98	

3D052441-1A

NOTES

- Cooling capacity is based on 27°CDB / 19°CWB (indoor temperature), 35°CDB (outdoor temperature). Heating capacity is based on 20°CDB (indoor temperature), 7°CDB/6°CWB (outdoor temperature).
- The total ability of connected a indoor unit is up to 15.6 kW
- It is impossible to connect the indoor unit for one room only.
- The above is the value for connecting with the following indoor units.
2.0, 2.5, 3.5 kW class: wall mounted C series
5.0, 6.0, 7.1 kW class: wall mounted E series

5 Capacity tables

5 - 1 Combination table

Cooling [50Hz 230V]

Outdoor unit	Combination of indoor unit	Capacity of each indoor unit												
		Each capacity (kW)					Total capacity (kW)		Total input (W)		Total current (A)		Power factor %	
		A Room	B Room	C Room	D Room	E Room	Rating	(Min.-max.)	Rating	(Min.-max.)	Rating	(Min.-max.)	Rating	
5 SMKS90E7V3B	2.0+2.0+2.0	2.00	2.00	2.00	---	---	6.00	2.08 ~ 6.63	1.74	0.47 ~ 2.10	7.7	2.1 ~ 9.3	98	
	2.0+2.0+2.5	2.00	2.00	2.50	---	---	6.50	2.13 ~ 6.97	2.05	0.47 ~ 2.32	9.1	2.1 ~ 10.3	98	
	2.0+2.0+3.5	1.93	1.93	3.38	---	---	7.24	2.24 ~ 7.64	2.49	0.47 ~ 2.78	11.0	2.1 ~ 12.3	98	
	2.0+2.0+5.0	1.72	1.72	4.33	---	---	7.77	2.43 ~ 8.53	2.54	0.51 ~ 3.05	11.3	2.3 ~ 13.5	98	
	2.0+2.0+6.0	1.62	1.62	4.88	---	---	8.12	2.57 ~ 8.79	2.72	0.54 ~ 3.19	12.1	2.4 ~ 14.2	98	
	2.0+2.0+7.1	1.53	1.53	5.45	---	---	8.51	2.71 ~ 8.98	2.99	0.57 ~ 3.33	13.3	2.5 ~ 14.8	98	
	2.0+2.5+2.5	2.00	2.50	2.50	---	---	7.00	2.18 ~ 7.31	2.32	0.47 ~ 2.54	10.3	2.1 ~ 11.3	98	
	2.0+2.5+3.5	1.86	2.32	3.24	---	---	7.42	2.30 ~ 7.96	2.60	0.50 ~ 2.97	11.5	2.2 ~ 13.2	98	
	2.0+2.5+5.0	1.67	2.09	4.18	---	---	7.94	2.50 ~ 8.75	2.66	0.54 ~ 3.18	11.8	2.4 ~ 14.1	98	
	2.0+2.5+6.0	1.58	1.98	4.74	---	---	8.30	2.63 ~ 8.79	2.85	0.54 ~ 3.19	12.6	2.4 ~ 14.2	98	
	2.0+2.5+7.1	1.50	1.87	5.31	---	---	8.68	2.78 ~ 8.98	3.12	0.57 ~ 3.33	13.8	2.5 ~ 14.8	98	
	2.0+3.5+3.5	1.73	3.02	3.02	---	---	7.77	2.43 ~ 8.14	2.84	0.53 ~ 3.09	12.6	2.4 ~ 13.7	98	
	2.0+3.5+5.0	1.58	2.77	3.95	---	---	8.30	2.63 ~ 8.75	2.85	0.57 ~ 3.18	12.6	2.5 ~ 14.1	98	
	2.0+3.5+6.0	1.50	2.63	4.52	---	---	8.65	2.76 ~ 8.96	3.12	0.57 ~ 3.32	13.8	2.5 ~ 14.7	98	
	2.0+3.5+7.1	1.43	2.50	5.07	---	---	9.00	2.91 ~ 8.98	3.40	0.60 ~ 3.33	15.1	2.7 ~ 14.8	98	
	2.0+5.0+5.0	1.46	3.68	3.68	---	---	8.82	2.83 ~ 9.55	2.92	0.58 ~ 3.42	13.0	2.6 ~ 15.2	98	
	2.0+5.0+6.0	1.39	3.46	4.15	---	---	9.00	2.96 ~ 9.58	2.92	0.61 ~ 3.42	13.0	2.7 ~ 15.2	98	
	2.0+5.0+7.1	1.28	3.19	4.53	---	---	9.00	3.10 ~ 9.60	2.85	0.64 ~ 3.42	12.6	2.8 ~ 15.2	98	
	2.0+6.0+6.0	1.28	3.86	3.86	---	---	9.00	3.09 ~ 9.62	2.86	0.64 ~ 3.43	12.7	2.8 ~ 15.2	98	
	2.0+6.0+7.1	1.19	3.58	4.23	---	---	9.00	3.23 ~ 10.07	2.79	0.64 ~ 3.97	12.4	2.8 ~ 17.6	98	
	2.5+2.5+2.5	2.41	2.41	2.41	---	---	7.23	2.24 ~ 7.64	2.49	0.47 ~ 2.78	11.0	2.1 ~ 12.3	98	
	2.5+2.5+3.5	2.23	2.23	3.13	---	---	7.59	2.37 ~ 7.97	2.72	0.50 ~ 2.97	12.1	2.2 ~ 13.2	98	
	2.5+2.5+5.0	2.03	2.03	4.06	---	---	8.12	2.57 ~ 8.75	2.72	0.54 ~ 3.18	12.1	2.4 ~ 14.1	98	
	2.5+2.5+6.0	1.93	1.93	4.61	---	---	8.47	2.70 ~ 8.79	2.98	0.57 ~ 3.19	13.2	2.5 ~ 14.2	98	
	2.5+2.5+7.1	1.83	1.83	5.20	---	---	8.86	2.84 ~ 8.98	3.26	0.60 ~ 3.33	14.5	2.7 ~ 14.8	98	
	2.5+3.5+3.5	2.08	2.93	2.93	---	---	7.94	2.50 ~ 8.14	2.97	0.53 ~ 3.09	13.2	2.4 ~ 13.7	98	
	2.5+3.5+5.0	1.93	2.70	3.84	---	---	8.47	2.70 ~ 8.75	2.98	0.57 ~ 3.18	13.2	2.5 ~ 14.1	98	
	2.5+3.5+6.0	1.84	2.57	4.41	---	---	8.82	2.83 ~ 8.96	3.25	0.60 ~ 3.32	14.4	2.7 ~ 14.7	98	
	2.5+3.5+7.1	1.72	2.40	4.88	---	---	9.00	2.97 ~ 8.98	3.40	0.64 ~ 3.33	15.1	2.8 ~ 14.8	98	
	2.5+5.0+5.0	1.80	3.60	3.60	---	---	9.00	2.89 ~ 9.55	3.05	0.61 ~ 3.42	13.5	2.7 ~ 15.2	98	
	2.5+5.0+6.0	1.67	3.33	4.00	---	---	9.00	3.02 ~ 9.58	2.99	0.61 ~ 3.42	13.3	2.7 ~ 15.2	98	
	2.5+5.0+7.1	1.54	3.08	4.38	---	---	9.00	3.17 ~ 9.60	2.92	0.64 ~ 3.42	13.0	2.8 ~ 15.2	98	
	2.5+6.0+6.0	1.56	3.72	3.72	---	---	9.00	3.16 ~ 9.62	2.92	0.64 ~ 3.43	13.0	2.8 ~ 15.2	98	
	2.5+6.0+7.1	1.44	3.46	4.10	---	---	9.00	3.30 ~ 10.07	2.86	0.67 ~ 3.97	12.7	3.0 ~ 17.6	98	
	3.5+3.5+3.5	2.77	2.77	2.77	---	---	8.31	2.63 ~ 8.26	3.29	0.56 ~ 3.22	14.6	2.5 ~ 14.3	98	
	3.5+3.5+5.0	2.57	2.57	3.68	---	---	8.82	2.83 ~ 8.93	3.25	0.60 ~ 3.32	14.4	2.7 ~ 14.7	98	
	3.5+3.5+6.0	2.42	2.42	4.16	---	---	9.00	2.96 ~ 8.96	3.32	0.64 ~ 3.32	14.7	2.8 ~ 14.7	98	
	3.5+3.5+7.1	2.23	2.23	4.54	---	---	9.00	3.10 ~ 8.98	3.26	0.64 ~ 3.33	14.5	2.8 ~ 14.8	98	
	3.5+5.0+5.0	2.34	3.33	3.33	---	---	9.00	3.02 ~ 9.55	3.05	0.61 ~ 3.42	13.5	2.7 ~ 15.2	98	
	3.5+5.0+6.0	2.18	3.10	3.72	---	---	9.00	3.16 ~ 9.58	2.99	0.64 ~ 3.42	13.3	2.8 ~ 15.2	98	
3.5+5.0+7.1	2.02	2.88	4.10	---	---	9.00	3.30 ~ 10.04	2.92	0.67 ~ 3.96	13.0	3.0 ~ 17.6	98		
3.5+6.0+6.0	2.04	3.48	3.48	---	---	9.00	3.29 ~ 10.05	2.92	0.67 ~ 3.96	13.0	3.0 ~ 17.6	98		
5.0+5.0+5.0	3.00	3.00	3.00	---	---	9.00	3.22 ~ 10.45	2.70	0.64 ~ 3.83	12.0	2.8 ~ 17.0	98		

3D052441-2A

NOTES

- Cooling capacity is based on 27°CDB / 19°CWB (indoor temperature), 35°CDB (outdoor temperature). Heating capacity is based on 20°CDB (indoor temperature), 7°CDB/6°CWB (outdoor temperature).
- The total ability of connected a indoor unit is up to 15.6 kW
- It is impossible to connect the indoor unit for one room only.
- The above is the value for connecting with the following indoor units.
2.0, 2.5, 3.5 kW class: wall mounted C series
5.0, 6.0, 7.1 kW class: wall mounted E series

5 Capacity tables

5 - 1 Combination table

Cooling [50Hz 230V]

Outdoor unit	Combination of indoor unit	Capacity of each indoor unit											
		Each capacity (kW)					Total capacity (kW)		Total input (W)		Total current (A)		Power factor %
		A Room	B Room	C Room	D Room	E Room	Rating	(Min.-max.)	Rating	(Min.-max.)	Rating	(Min.-max.)	Rating
5MKS90E7V3B	2.0+2.0+2.0+2.0	1.86	1.86	1.86	1.86	---	7.44	2.30 ~ 7.96	2.18	0.51 ~ 2.48	9.7	2.3 ~ 11.0	98
	2.0+2.0+2.0+2.5	1.79	1.79	1.79	2.22	---	7.59	2.37 ~ 8.25	2.24	0.51 ~ 2.66	9.9	2.3 ~ 11.8	98
	2.0+2.0+2.0+3.5	1.67	1.67	1.67	2.93	---	7.94	2.50 ~ 8.78	2.48	0.54 ~ 3.05	11.0	2.4 ~ 13.5	98
	2.0+2.0+2.0+5.0	1.54	1.54	1.54	3.85	---	8.47	2.70 ~ 9.36	2.65	0.58 ~ 3.27	11.8	2.6 ~ 14.5	98
	2.0+2.0+2.0+6.0	1.47	1.47	1.47	4.41	---	8.82	2.83 ~ 9.58	2.85	0.58 ~ 3.42	12.6	2.6 ~ 15.2	98
	2.0+2.0+2.0+7.1	1.37	1.37	1.37	4.89	---	9.00	2.97 ~ 9.60	2.99	0.61 ~ 3.42	13.3	2.7 ~ 15.2	98
	2.0+2.0+2.5+2.5	1.73	1.73	2.16	2.16	---	7.78	2.43 ~ 8.53	2.36	0.51 ~ 2.85	10.5	2.3 ~ 12.6	98
	2.0+2.0+2.5+3.5	1.62	1.62	2.03	2.85	---	8.12	2.57 ~ 8.75	2.72	0.54 ~ 3.18	12.1	2.4 ~ 14.1	98
	2.0+2.0+2.5+5.0	1.50	1.50	1.88	3.77	---	8.65	2.76 ~ 9.54	2.78	0.58 ~ 3.41	12.3	2.6 ~ 15.1	98
	2.0+2.0+2.5+6.0	1.44	1.44	1.80	4.32	---	9.00	2.89 ~ 9.58	2.99	0.61 ~ 3.42	13.3	2.7 ~ 15.2	98
	2.0+2.0+2.5+7.1	1.32	1.32	1.65	4.71	---	9.00	3.04 ~ 9.60	2.99	0.61 ~ 3.42	13.3	2.7 ~ 15.2	98
	2.0+2.0+3.5+3.5	1.54	1.54	2.70	2.70	---	8.48	2.70 ~ 8.75	2.98	0.57 ~ 3.18	13.2	2.5 ~ 14.1	98
	2.0+2.0+3.5+5.0	1.44	1.44	2.52	3.60	---	9.00	2.89 ~ 9.54	3.05	0.61 ~ 3.41	13.5	2.7 ~ 15.1	98
	2.0+2.0+3.5+6.0	1.33	1.33	2.34	4.00	---	9.00	3.02 ~ 9.58	2.92	0.61 ~ 3.42	13.0	2.7 ~ 15.2	98
	2.0+2.0+3.5+7.1	1.23	1.23	2.16	4.38	---	9.00	3.17 ~ 9.60	2.85	0.64 ~ 3.42	12.6	2.8 ~ 15.2	98
	2.0+2.0+5.0+5.0	1.29	1.29	3.21	3.21	---	9.00	3.09 ~ 10.17	2.70	0.61 ~ 3.51	12.0	2.7 ~ 15.6	98
	2.0+2.0+5.0+6.0	1.20	1.20	3.00	3.60	---	9.00	3.22 ~ 10.45	2.64	0.64 ~ 3.84	11.7	2.8 ~ 17.0	98
	2.0+2.5+2.5+2.5	1.67	2.09	2.09	2.09	---	7.94	2.50 ~ 8.78	2.48	0.54 ~ 3.05	11.0	2.4 ~ 13.5	98
	2.0+2.5+2.5+3.5	1.57	1.98	1.98	2.77	---	8.30	2.63 ~ 8.75	2.85	0.57 ~ 3.18	12.6	2.5 ~ 14.1	98
	2.0+2.5+2.5+5.0	1.46	1.84	1.84	3.68	---	8.82	2.83 ~ 9.54	2.92	0.58 ~ 3.41	13.0	2.6 ~ 15.1	98
	2.0+2.5+2.5+6.0	1.39	1.73	1.73	4.15	---	9.00	2.96 ~ 9.58	2.92	0.61 ~ 3.42	13.0	2.7 ~ 15.2	98
	2.0+2.5+2.5+7.1	1.27	1.60	1.60	4.53	---	9.00	3.10 ~ 9.60	2.85	0.64 ~ 3.42	12.6	2.8 ~ 15.2	98
	2.0+2.5+3.5+3.5	1.50	1.89	2.63	2.63	---	8.65	2.76 ~ 8.92	3.11	0.57 ~ 3.32	13.8	2.5 ~ 14.7	98
	2.0+2.5+3.5+5.0	1.39	1.73	2.42	3.46	---	9.00	2.96 ~ 9.54	3.05	0.61 ~ 3.41	13.5	2.7 ~ 15.1	98
	2.0+2.5+3.5+6.0	1.28	1.61	2.25	3.86	---	9.00	3.09 ~ 9.58	2.92	0.64 ~ 3.42	13.0	2.8 ~ 15.2	98
	2.0+2.5+3.5+7.1	1.19	1.49	2.09	4.23	---	9.00	3.23 ~ 10.03	2.85	0.64 ~ 3.96	12.6	2.8 ~ 17.6	98
	2.0+2.5+5.0+5.0	1.25	1.55	3.10	3.10	---	9.00	3.16 ~ 10.17	2.70	0.61 ~ 3.51	12.0	2.7 ~ 15.6	98
	2.0+2.5+5.0+6.0	1.17	1.45	2.90	3.48	---	9.00	3.29 ~ 10.49	2.64	0.64 ~ 3.84	11.7	2.8 ~ 17.0	98
	2.0+3.5+3.5+3.5	1.44	2.52	2.52	2.52	---	9.00	2.89 ~ 8.92	3.39	0.60 ~ 3.32	15.0	2.7 ~ 14.7	98
	2.0+3.5+3.5+5.0	1.29	2.25	2.25	3.21	---	9.00	3.09 ~ 9.54	3.05	0.64 ~ 3.41	13.5	2.8 ~ 15.1	98
	2.0+3.5+3.5+6.0	1.20	2.10	2.10	3.60	---	9.00	3.22 ~ 10.01	2.92	0.64 ~ 3.95	13.0	2.8 ~ 17.5	98
	2.0+3.5+5.0+5.0	1.17	2.03	2.90	2.90	---	9.00	3.29 ~ 10.49	2.70	0.64 ~ 3.91	12.0	2.8 ~ 17.3	98
	2.5+2.5+2.5+2.5	2.03	2.03	2.03	2.03	---	8.12	2.57 ~ 8.75	2.72	0.54 ~ 3.18	12.1	2.4 ~ 14.1	98
	2.5+2.5+2.5+3.5	1.93	1.93	1.93	2.68	---	8.47	2.70 ~ 8.75	2.98	0.57 ~ 3.18	13.2	2.5 ~ 14.1	98
	2.5+2.5+2.5+5.0	1.80	1.80	1.80	3.60	---	9.00	2.89 ~ 9.54	3.05	0.61 ~ 3.41	13.5	2.7 ~ 15.1	98
	2.5+2.5+2.5+6.0	1.67	1.67	1.67	3.99	---	9.00	3.02 ~ 9.58	2.92	0.61 ~ 3.42	13.0	2.7 ~ 15.2	98
	2.5+2.5+2.5+7.1	1.54	1.54	1.54	4.38	---	9.00	3.17 ~ 9.60	2.85	0.64 ~ 3.42	12.6	2.8 ~ 15.2	98
	2.5+2.5+3.5+3.5	1.84	1.84	2.57	2.57	---	8.82	2.83 ~ 8.92	3.25	0.60 ~ 3.32	14.4	2.7 ~ 14.7	98
	2.5+2.5+3.5+5.0	1.67	1.67	2.33	3.33	---	9.00	3.02 ~ 9.54	3.05	0.61 ~ 3.41	13.5	2.7 ~ 15.1	98
	2.5+2.5+3.5+6.0	1.55	1.55	2.18	3.72	---	9.00	3.16 ~ 9.58	2.92	0.64 ~ 3.42	13.0	2.8 ~ 15.2	98
2.5+2.5+3.5+7.1	1.44	1.44	2.02	4.10	---	9.00	3.30 ~ 10.03	2.85	0.67 ~ 3.96	12.6	3.0 ~ 17.6	98	

3D052441-3A

NOTES

- Cooling capacity is based on 27°CDB / 19°CWB (indoor temperature), 35°CDB (outdoor temperature). Heating capacity is based on 20°CDB (indoor temperature), 7°CDB/6°CWB (outdoor temperature).
- The total ability of connected a indoor unit is up to 15.6 kW
- It is impossible to connect the indoor unit for one room only.
- The above is the value for connecting with the following indoor units.
2.0, 2.5, 3.5 kW class: wall mounted C series
5.0, 6.0, 7.1 kW class: wall mounted E series

5 Capacity tables

5 - 1 Combination table

Cooling [50Hz 230V]

Outdoor unit	Combination of indoor unit	Capacity of each indoor unit											
		Each capacity (kW)					Total capacity (kW)		Total input (W)		Total current (A)		Power factor %
		A Room	B Room	C Room	D Room	E Room	Rating	(Min.-max.)	Rating	(Min.-max.)	Rating	(Min.-max.)	Rating
5MKS90E7V3B	2.5+2.5+5.0+5.0	1.50	1.50	3.00	3.00	---	9.00	3.22 ~ 10.45	2.70	0.64 ~ 3.83	12.0	2.8 ~ 17.0	98
	2.5+3.5+3.5+3.5	1.74	2.42	2.42	2.42	---	9.00	2.96 ~ 8.94	3.39	0.64 ~ 3.32	15.0	2.8 ~ 14.7	98
	2.5+3.5+3.5+5.0	1.56	2.17	2.17	3.10	---	9.00	3.16 ~ 9.54	3.05	0.64 ~ 3.41	13.5	2.8 ~ 15.1	98
	2.5+3.5+3.5+6.0	1.46	2.03	2.03	3.48	---	9.00	3.29 ~ 10.01	2.92	0.67 ~ 3.95	13.0	3.0 ~ 17.5	98
	3.5+3.5+3.5+3.5	2.25	2.25	2.25	2.25	---	9.00	3.09 ~ 8.92	3.39	0.64 ~ 3.32	15.0	2.8 ~ 14.7	98
	3.5+3.5+3.5+5.0	2.03	2.03	2.03	2.91	---	9.00	3.29 ~ 9.98	3.05	0.67 ~ 3.95	13.5	3.0 ~ 17.5	98
	2.0+2.0+2.0+2.0	1.63	1.63	1.63	1.63	1.63	8.15	2.57 ~ 9.03	2.46	0.55 ~ 3.05	10.9	2.4 ~ 13.5	98
	2.0+2.0+2.0+2.5	1.58	1.58	1.58	1.58	1.98	8.30	2.63 ~ 9.25	2.52	0.55 ~ 3.20	11.2	2.4 ~ 14.2	98
	2.0+2.0+2.0+3.5	1.50	1.50	1.50	1.50	2.65	8.65	2.76 ~ 9.54	2.78	0.58 ~ 3.41	12.3	2.6 ~ 15.1	98
	2.0+2.0+2.0+4.5	1.38	1.38	1.38	1.38	3.48	9.00	2.96 ~ 10.09	2.70	0.58 ~ 3.51	12.0	2.6 ~ 15.6	98
	2.0+2.0+2.0+5.0	1.29	1.29	1.29	1.29	3.84	9.00	3.09 ~ 10.20	2.74	0.61 ~ 3.52	12.2	2.7 ~ 15.6	98
	2.0+2.0+2.0+7.1	1.19	1.19	1.19	1.19	4.24	9.00	3.23 ~ 10.46	2.64	0.64 ~ 3.84	11.7	2.8 ~ 17.0	98
	2.0+2.0+2.0+2.5+2.5	1.54	1.54	1.54	1.92	1.92	8.46	2.70 ~ 9.36	2.65	0.58 ~ 3.27	11.8	2.6 ~ 14.5	98
	2.0+2.0+2.0+2.5+3.5	1.47	1.47	1.47	1.84	2.57	8.82	2.83 ~ 9.54	2.92	0.58 ~ 3.41	13.0	2.6 ~ 15.1	98
	2.0+2.0+2.0+2.5+5.0	1.33	1.33	1.33	1.67	3.34	9.00	3.02 ~ 10.16	2.70	0.61 ~ 3.51	12.0	2.7 ~ 15.6	98
	2.0+2.0+2.0+2.5+6.0	1.24	1.24	1.24	1.55	3.73	9.00	3.16 ~ 10.20	2.74	0.61 ~ 3.52	12.2	2.7 ~ 15.6	98
	2.0+2.0+2.0+2.5+7.1	1.15	1.15	1.15	1.44	4.11	9.00	3.30 ~ 10.50	2.64	0.64 ~ 3.84	11.7	2.8 ~ 17.0	98
	2.0+2.0+2.0+3.5+3.5	1.54	1.54	1.54	1.92	1.92	8.46	2.70 ~ 9.36	2.65	0.58 ~ 3.27	11.8	2.6 ~ 14.5	98
	2.0+2.0+2.0+3.5+5.0	1.24	1.24	1.24	2.17	3.11	9.00	3.16 ~ 10.16	2.74	0.61 ~ 3.51	12.2	2.7 ~ 15.6	98
	2.0+2.0+2.0+3.5+6.0	1.16	1.16	1.16	2.03	3.49	9.00	3.29 ~ 10.49	2.70	0.64 ~ 3.84	12.0	2.8 ~ 17.0	98
	2.0+2.0+2.0+5+2.5	1.51	1.51	1.88	1.88	1.88	8.66	2.76 ~ 9.54	2.78	0.58 ~ 3.41	12.3	2.6 ~ 15.1	98
	2.0+2.0+2.0+5+2.5+3.5	1.44	1.44	1.80	1.80	2.52	9.00	2.89 ~ 9.54	3.05	0.61 ~ 3.41	13.5	2.7 ~ 15.1	98
	2.0+2.0+2.0+5+2.5+5.0	1.29	1.29	1.61	1.61	3.20	9.00	3.09 ~ 10.16	2.70	0.61 ~ 3.51	12.0	2.7 ~ 15.6	98
	2.0+2.0+2.0+5+2.5+6.0	1.20	1.20	1.50	1.50	3.60	9.00	3.22 ~ 10.45	2.70	0.64 ~ 3.84	12.0	2.8 ~ 17.0	98
	2.0+2.0+2.0+5+3.5+3.5	1.33	1.33	1.68	2.33	2.33	9.00	3.02 ~ 9.54	3.05	0.61 ~ 3.41	13.5	2.7 ~ 15.1	98
	2.0+2.0+2.0+5+3.5+5.0	1.20	1.20	1.50	2.10	3.00	9.00	3.22 ~ 10.45	2.70	0.64 ~ 3.83	12.0	2.8 ~ 17.0	98
	2.0+2.0+2.0+5+3.5+5.0	1.23	1.23	2.18	2.18	2.18	9.00	3.16 ~ 9.54	3.05	0.64 ~ 3.41	13.5	2.8 ~ 15.1	98
	2.0+2.0+2.0+5+2.5+2.5	1.46	1.84	1.84	1.84	1.84	8.82	2.83 ~ 9.54	2.92	0.58 ~ 3.41	13.0	2.6 ~ 15.1	98
	2.0+2.0+2.0+5+2.5+3.5	1.39	1.73	1.73	1.73	2.42	9.00	2.96 ~ 9.54	3.05	0.61 ~ 3.41	13.5	2.7 ~ 15.1	98
	2.0+2.0+2.0+5+2.5+5.0	1.25	1.55	1.55	1.55	3.10	9.00	3.16 ~ 10.16	2.70	0.61 ~ 3.51	12.0	2.7 ~ 15.6	98
	2.0+2.0+2.0+5+2.5+6.0	1.17	1.45	1.45	1.45	3.48	9.00	3.29 ~ 10.49	2.70	0.64 ~ 3.84	12.0	2.8 ~ 17.0	98
	2.0+2.0+2.0+5+3.5+3.5	1.28	1.61	1.61	2.25	2.25	9.00	3.09 ~ 9.54	3.05	0.64 ~ 3.41	13.5	2.8 ~ 15.1	98
	2.0+2.0+2.0+5+3.5+5.0	1.17	1.45	1.45	2.03	2.90	9.00	3.29 ~ 10.49	2.70	0.64 ~ 3.91	12.0	2.8 ~ 17.3	98
	2.0+2.0+2.0+5+3.5+3.5	1.20	1.50	2.10	2.10	2.10	9.00	3.22 ~ 9.97	3.05	0.64 ~ 3.95	13.5	2.8 ~ 17.5	98
	2.5+2.5+2.5+2.5	1.80	1.80	1.80	1.80	1.80	9.00	2.89 ~ 9.54	3.05	0.61 ~ 3.41	13.5	2.7 ~ 15.1	98
	2.5+2.5+2.5+2.5+3.5	1.67	1.67	1.67	1.67	2.32	9.00	3.02 ~ 9.54	2.98	0.61 ~ 3.41	13.2	2.7 ~ 15.1	98
	2.5+2.5+2.5+2.5+5.0	1.50	1.50	1.50	1.50	3.00	9.00	3.22 ~ 10.45	2.70	0.64 ~ 3.83	12.0	2.8 ~ 17.0	98
	2.5+2.5+2.5+3.5+3.5	1.56	1.56	1.56	2.16	2.16	9.00	3.16 ~ 9.54	3.05	0.64 ~ 3.41	13.5	2.8 ~ 15.1	98
	2.5+2.5+3.5+3.5+3.5	1.44	1.44	2.04	2.04	2.04	9.00	3.29 ~ 9.97	2.98	0.67 ~ 3.95	13.2	3.0 ~ 17.5	98

3D052441-4A

NOTES

- Cooling capacity is based on 27°CDB / 19°CWB (indoor temperature), 35°CDB (outdoor temperature). Heating capacity is based on 20°CDB (indoor temperature), 7°CDB/6°CWB (outdoor temperature).
- The total ability of connected indoor unit is up to 15.6 kW
- It is impossible to connect the indoor unit for one room only.
- The above is the value for connecting with the following indoor units.
2.0, 2.5, 3.5 kW class: wall mounted C series
5.0, 6.0, 7.1 kW class: wall mounted E series

5 Capacity tables

5 - 1 Combination table

Cooling [50Hz 230V]

Outdoor unit	Combination of indoor unit	Capacity of each indoor unit												
		Each capacity (kW)					Total capacity (kW)		Total input (W)		Total current (A)		Power factor %	
		A Room	B Room	C Room	D Room	E Room	Rating	(Min.-max.)	Rating	(Min.-max.)	Rating	(Min.-max.)	Rating	
SMKS90E7V3B	2.0	2.00	---	---	---	---	2.00	1.72 ~ 3.03	0.59	0.41 ~ 1.05	2.6	1.8 ~ 4.7	98	
	2.5	2.50	---	---	---	---	2.50	1.79 ~ 3.54	0.74	0.45 ~ 1.25	3.3	2.0 ~ 5.5	98	
	3.5	3.50	---	---	---	---	3.50	1.83 ~ 4.68	1.17	0.45 ~ 1.46	5.2	2.0 ~ 6.5	98	
	5.0	5.00	---	---	---	---	5.00	1.98 ~ 5.34	1.72	0.45 ~ 1.86	7.6	2.0 ~ 8.3	98	
	6.0	6.00	---	---	---	---	6.00	2.08 ~ 6.60	1.97	0.43 ~ 2.39	8.7	1.9 ~ 10.6	98	
	7.1	7.10	---	---	---	---	7.10	2.18 ~ 7.26	2.66	0.46 ~ 2.78	11.8	2.0 ~ 12.3	98	
	2.0+2.0	2.00	2.00	---	---	---	4.00	1.88 ~ 5.16	1.17	0.46 ~ 1.78	5.2	2.0 ~ 7.9	98	
	2.0+2.5	2.00	2.50	---	---	---	4.50	1.93 ~ 5.57	1.33	0.43 ~ 1.78	5.9	1.9 ~ 7.9	98	
	2.0+3.5	2.00	3.50	---	---	---	5.50	2.03 ~ 6.18	1.78	0.43 ~ 2.07	7.9	1.9 ~ 9.2	98	
	2.0+5.0	2.00	5.00	---	---	---	7.00	2.18 ~ 7.31	2.51	0.46 ~ 2.74	11.1	2.0 ~ 12.2	98	
	2.0+6.0	1.86	5.56	---	---	---	7.42	2.30 ~ 7.96	2.55	0.50 ~ 2.97	11.3	2.2 ~ 13.2	98	
	2.0+7.1	1.71	6.09	---	---	---	7.80	2.45 ~ 8.22	2.85	0.53 ~ 3.10	12.6	2.4 ~ 13.8	98	
	2.5+2.5	2.50	2.50	---	---	---	5.00	1.98 ~ 6.02	1.42	0.43 ~ 1.97	6.3	1.9 ~ 8.7	98	
	2.5+3.5	2.50	3.50	---	---	---	6.00	2.08 ~ 6.60	1.97	0.43 ~ 2.33	8.7	1.9 ~ 10.3	98	
	2.5+5.0	2.41	4.83	---	---	---	7.24	2.24 ~ 7.60	2.68	0.49 ~ 2.92	11.9	2.2 ~ 13.0	98	
	2.5+6.0	2.23	5.36	---	---	---	7.59	2.37 ~ 8.03	2.67	0.50 ~ 2.97	11.8	2.2 ~ 13.2	98	
	2.5+7.1	2.08	5.90	---	---	---	7.98	2.51 ~ 8.22	2.98	0.53 ~ 3.10	13.2	2.4 ~ 13.8	98	
	3.5+3.5	3.50	3.50	---	---	---	7.00	2.18 ~ 7.27	2.61	0.46 ~ 2.78	11.6	2.0 ~ 12.3	98	
	3.5+5.0	3.13	4.46	---	---	---	7.59	2.37 ~ 7.61	2.92	0.49 ~ 2.97	13.0	2.2 ~ 13.2	98	
	3.5+6.0	2.93	5.01	---	---	---	7.94	2.50 ~ 8.21	2.91	0.53 ~ 3.10	12.9	2.4 ~ 13.8	98	
	3.5+7.1	2.75	5.58	---	---	---	8.33	2.64 ~ 8.41	3.24	0.57 ~ 3.29	14.4	2.5 ~ 14.6	98	
	5.0+5.0	4.06	4.06	---	---	---	8.12	2.57 ~ 8.15	3.26	0.56 ~ 3.29	14.5	2.5 ~ 14.6	98	
	5.0+6.0	3.85	4.62	---	---	---	8.47	2.70 ~ 8.52	3.19	0.57 ~ 3.24	14.2	2.5 ~ 14.4	98	
	5.0+7.1	3.66	5.20	---	---	---	8.86	2.84 ~ 8.90	3.60	0.60 ~ 3.66	16.0	2.7 ~ 16.2	98	
	6.0+6.0	4.41	4.41	---	---	---	8.82	2.83 ~ 9.00	3.19	0.60 ~ 3.33	14.2	2.7 ~ 14.8	98	
	6.0+7.1	4.12	4.88	---	---	---	9.00	2.97 ~ 9.02	3.26	0.64 ~ 3.33	14.5	2.8 ~ 14.8	98	
	7.1+7.1	4.50	4.50	---	---	---	9.00	3.12 ~ 9.04	3.20	0.64 ~ 3.34	14.2	2.8 ~ 14.8	98	

3D052442-1A

NOTES

- Cooling capacity is based on 27°CDB / 19°CWB (indoor temperature), 35°CDB (outdoor temperature). Heating capacity is based on 20°CDB (indoor temperature), 7°CDB/6°CWB (outdoor temperature).
- The total ability of connected a indoor unit is up to 15.6 kW
- It is impossible to connect the indoor unit for one room only.
- The above is the value for connecting with the following indoor units.
2.0, 2.5, 3.5, 5.0 kW class: wall mounted D series
6.0, 7.1 kW class: wall mounted E series

5 Capacity tables

5 - 1 Combination table

Cooling [50Hz 230V]

Outdoor unit	Combination of indoor unit	Capacity of each indoor unit												
		Each capacity (kW)					Total capacity (kW)		Total input (W)		Total current (A)		Power factor %	
		A Room	B Room	C Room	D Room	E Room	Rating	(Min.-max.)	Rating	(Min.-max.)	Rating	(Min.-max.)	Rating	
5MKS90E7V3B	2.0+2.0+2.0	2.00	2.00	2.00	---	---	6.00	2.08 ~ 6.63	1.75	0.47 ~ 2.05	7.8	2.1 ~ 9.1	98	
	2.0+2.0+2.5	2.00	2.00	2.50	---	---	6.50	2.13 ~ 6.97	2.00	0.47 ~ 2.27	8.9	2.1 ~ 10.1	98	
	2.0+2.0+3.5	1.93	1.93	3.38	---	---	7.24	2.24 ~ 7.64	2.44	0.47 ~ 2.73	10.8	2.1 ~ 12.1	98	
	2.0+2.0+5.0	1.72	1.72	4.33	---	---	7.77	2.43 ~ 8.40	2.69	0.50 ~ 3.13	11.9	2.2 ~ 13.9	98	
	2.0+2.0+6.0	1.62	1.62	4.88	---	---	8.12	2.57 ~ 8.84	2.73	0.54 ~ 3.19	12.1	2.4 ~ 14.2	98	
	2.0+2.0+7.1	1.53	1.53	5.45	---	---	8.51	2.71 ~ 9.03	2.99	0.57 ~ 3.34	13.3	2.5 ~ 14.8	98	
	2.0+2.5+2.5	2.00	2.50	2.50	---	---	7.00	2.18 ~ 7.31	2.32	0.47 ~ 2.49	10.3	2.1 ~ 11.0	98	
	2.0+2.5+3.5	1.86	2.32	3.24	---	---	7.42	2.30 ~ 7.96	2.55	0.50 ~ 2.91	11.3	2.2 ~ 12.9	98	
	2.0+2.5+5.0	1.67	2.09	4.18	---	---	7.94	2.50 ~ 8.40	2.81	0.53 ~ 3.13	12.5	2.4 ~ 13.9	98	
	2.0+2.5+6.0	1.58	1.98	4.74	---	---	8.30	2.63 ~ 8.84	2.86	0.54 ~ 3.19	12.7	2.4 ~ 14.2	98	
	2.0+2.5+7.1	1.50	1.87	5.31	---	---	8.68	2.78 ~ 9.03	3.13	0.57 ~ 3.34	13.9	2.5 ~ 14.8	98	
	2.0+3.5+3.5	1.73	3.02	3.02	---	---	7.77	2.43 ~ 8.23	2.79	0.53 ~ 3.11	12.4	2.4 ~ 13.8	98	
	2.0+3.5+5.0	1.58	2.77	3.95	---	---	8.30	2.63 ~ 8.40	3.07	0.57 ~ 3.13	13.6	2.5 ~ 13.9	98	
	2.0+3.5+6.0	1.50	2.63	4.52	---	---	8.65	2.76 ~ 9.02	3.06	0.57 ~ 3.33	13.6	2.5 ~ 14.8	98	
	2.0+3.5+7.1	1.43	2.50	5.07	---	---	9.00	2.91 ~ 9.04	3.34	0.60 ~ 3.39	14.8	2.7 ~ 15.0	98	
	2.0+5.0+5.0	1.46	3.68	3.68	---	---	8.82	2.83 ~ 8.87	3.36	0.60 ~ 3.40	14.9	2.7 ~ 15.1	98	
	2.0+5.0+6.0	1.39	3.46	4.15	---	---	9.00	2.96 ~ 9.20	3.15	0.60 ~ 3.36	14.0	2.7 ~ 14.9	98	
	2.0+5.0+7.1	1.28	3.19	4.53	---	---	9.00	3.10 ~ 9.22	3.08	0.64 ~ 3.36	13.7	2.8 ~ 14.9	98	
	2.0+6.0+6.0	1.28	3.86	3.86	---	---	9.00	3.09 ~ 9.64	2.86	0.64 ~ 3.43	12.7	2.8 ~ 15.2	98	
	2.0+6.0+7.1	1.19	3.58	4.23	---	---	9.00	3.23 ~ 10.10	2.79	0.64 ~ 3.97	12.4	2.8 ~ 17.6	98	
	2.5+2.5+2.5	2.41	2.41	2.41	---	---	7.23	2.24 ~ 7.64	2.43	0.47 ~ 2.73	10.8	2.1 ~ 12.1	98	
	2.5+2.5+3.5	2.23	2.23	3.13	---	---	7.59	2.37 ~ 8.05	2.67	0.50 ~ 2.98	11.8	2.2 ~ 13.2	98	
	2.5+2.5+5.0	2.03	2.03	4.06	---	---	8.12	2.57 ~ 8.40	2.94	0.53 ~ 3.13	13.0	2.4 ~ 13.9	98	
	2.5+2.5+6.0	1.93	1.93	4.61	---	---	8.47	2.70 ~ 8.84	2.92	0.57 ~ 3.19	13.0	2.5 ~ 14.2	98	
	2.5+2.5+7.1	1.83	1.83	5.20	---	---	8.86	2.84 ~ 9.03	3.27	0.60 ~ 3.34	14.5	2.7 ~ 14.8	98	
	2.5+3.5+3.5	2.08	2.93	2.93	---	---	7.94	2.50 ~ 8.23	2.92	0.53 ~ 3.11	13.0	2.4 ~ 13.8	98	
	2.5+3.5+5.0	1.93	2.70	3.84	---	---	8.47	2.70 ~ 8.50	3.20	0.57 ~ 3.22	14.2	2.5 ~ 14.3	98	
	2.5+3.5+6.0	1.84	2.57	4.41	---	---	8.82	2.83 ~ 9.02	3.19	0.60 ~ 3.33	14.2	2.7 ~ 14.8	98	
	2.5+3.5+7.1	1.72	2.40	4.88	---	---	9.00	2.97 ~ 9.04	3.34	0.60 ~ 3.39	14.8	2.7 ~ 15.0	98	
	2.5+5.0+5.0	1.80	3.60	3.60	---	---	9.00	2.89 ~ 9.05	3.57	0.60 ~ 3.59	15.8	2.7 ~ 15.9	98	
	2.5+5.0+6.0	1.67	3.33	4.00	---	---	9.00	3.02 ~ 9.20	3.22	0.64 ~ 3.36	14.3	2.8 ~ 14.9	98	
	2.5+5.0+7.1	1.54	3.08	4.38	---	---	9.00	3.17 ~ 9.22	3.15	0.64 ~ 3.36	14.0	2.8 ~ 14.9	98	
	2.5+6.0+6.0	1.56	3.72	3.72	---	---	9.00	3.16 ~ 9.64	2.93	0.64 ~ 3.43	13.0	2.8 ~ 15.2	98	
	2.5+6.0+7.1	1.44	3.46	4.10	---	---	9.00	3.30 ~ 10.10	2.86	0.67 ~ 3.97	12.7	3.0 ~ 17.6	98	
	3.5+3.5+3.5	2.77	2.77	2.77	---	---	8.31	2.63 ~ 8.35	3.17	0.57 ~ 3.24	14.1	2.5 ~ 14.4	98	
	3.5+3.5+5.0	2.57	2.57	3.68	---	---	8.82	2.83 ~ 8.88	3.54	0.60 ~ 3.57	15.7	2.7 ~ 15.8	98	
	3.5+3.5+7.1	2.42	2.42	4.16	---	---	9.00	2.96 ~ 9.03	3.26	0.60 ~ 3.33	14.5	2.7 ~ 14.8	98	
	3.5+5.0+5.0	2.23	2.23	4.54	---	---	9.00	3.10 ~ 9.05	3.20	0.64 ~ 3.34	14.2	2.8 ~ 14.8	98	
	3.5+5.0+6.0	2.34	3.33	3.33	---	---	9.00	3.02 ~ 9.06	3.57	0.64 ~ 3.59	15.8	2.8 ~ 15.9	98	
	3.5+5.0+7.1	2.18	3.10	3.72	---	---	9.00	3.16 ~ 9.21	3.22	0.64 ~ 3.36	14.3	2.8 ~ 14.9	98	
3.5+6.0+7.1	2.02	2.88	4.10	---	---	9.00	3.30 ~ 9.65	3.15	0.67 ~ 3.88	14.0	3.0 ~ 17.2	98		
5.0+6.0+8.0	2.04	3.48	3.48	---	---	9.00	3.29 ~ 10.08	2.93	0.67 ~ 3.97	13.0	3.0 ~ 17.6	98		
5.0+5.0+5.0	3.00	3.00	3.00	---	---	9.00	3.22 ~ 9.49	3.39	0.67 ~ 4.04	15.0	3.0 ~ 17.9	98		

3D052442-2A

NOTES

- Cooling capacity is based on 27°CDB / 19°CWB (indoor temperature), 35°CDB (outdoor temperature). Heating capacity is based on 20°CDB (indoor temperature), 7°CDB/6°CWB (outdoor temperature).
- The total ability of connected a indoor unit is up to 15.6 kW
- It is impossible to connect the indoor unit for one room only.
- The above is the value for connecting with the following indoor units.
2.0, 2.5, 3.5, 5.0 kW class: wall mounted D series
6.0, 7.1 kW class: wall mounted E series

5 Capacity tables

5 - 1 Combination table

Cooling [50Hz 230V]

Outdoor unit	Combination of indoor unit	Capacity of each indoor unit											
		Each capacity (kW)					Total capacity (kW)		Total input (W)		Total current (A)		Power factor %
		A Room	B Room	C Room	D Room	E Room	Rating	(Min.-max.)	Rating	(Min.-max.)	Rating	(Min.-max.)	Rating
SMKS90E7V3B	2.0+2.0+2.0+2.0	1.86	1.86	1.86	1.86	---	7.44	2.30 ~ 7.96	2.13	0.51 ~ 2.42	9.4	2.3 ~ 10.7	98
	2.0+2.0+2.0+2.5	1.79	1.79	1.79	2.22	---	7.59	2.37 ~ 8.25	2.25	0.51 ~ 2.61	10.0	2.3 ~ 11.6	98
	2.0+2.0+2.0+3.5	1.67	1.67	1.67	2.93	---	7.94	2.50 ~ 8.78	2.42	0.54 ~ 2.99	10.7	2.4 ~ 13.3	98
	2.0+2.0+2.0+5.0	1.54	1.54	1.54	3.85	---	8.47	2.70 ~ 9.03	2.81	0.57 ~ 3.22	12.5	2.5 ~ 14.3	98
	2.0+2.0+2.0+6.0	1.47	1.47	1.47	4.41	---	8.82	2.83 ~ 9.65	2.86	0.58 ~ 3.43	12.7	2.6 ~ 15.2	98
	2.0+2.0+2.0+7.1	1.37	1.37	1.37	4.89	---	9.00	2.97 ~ 9.68	2.93	0.61 ~ 3.44	13.0	2.7 ~ 15.3	98
	2.0+2.0+2.5+2.5	1.73	1.73	2.16	2.16	---	7.78	2.43 ~ 8.53	2.30	0.51 ~ 2.79	10.2	2.3 ~ 12.4	98
	2.0+2.0+2.5+3.5	1.62	1.62	2.03	2.85	---	8.12	2.57 ~ 8.86	2.67	0.54 ~ 3.20	11.8	2.4 ~ 14.2	98
	2.0+2.0+2.5+5.0	1.50	1.50	1.88	3.77	---	8.65	2.76 ~ 9.21	2.95	0.57 ~ 3.36	13.1	2.5 ~ 14.9	98
	2.0+2.0+2.5+6.0	1.44	1.44	1.80	4.32	---	9.00	2.89 ~ 9.65	3.00	0.58 ~ 3.43	13.3	2.6 ~ 15.2	98
	2.0+2.0+2.5+7.1	1.32	1.32	1.65	4.71	---	9.00	3.04 ~ 9.68	2.93	0.61 ~ 3.44	13.0	2.7 ~ 15.3	98
	2.0+2.0+3.5+3.5	1.54	1.54	2.70	2.70	---	8.48	2.70 ~ 8.86	2.93	0.57 ~ 3.20	13.0	2.5 ~ 14.2	98
	2.0+2.0+3.5+5.0	1.44	1.44	2.52	3.60	---	9.00	2.89 ~ 9.22	3.22	0.61 ~ 3.36	14.3	2.7 ~ 14.9	98
	2.0+2.0+3.5+6.0	1.33	1.33	2.34	4.00	---	9.00	3.02 ~ 9.66	2.86	0.61 ~ 3.43	12.7	2.7 ~ 15.2	98
	2.0+2.0+3.5+7.1	1.23	1.23	2.16	4.38	---	9.00	3.17 ~ 9.68	2.79	0.64 ~ 3.44	12.4	2.8 ~ 15.3	98
	2.0+2.0+5.0+5.0	1.29	1.29	3.21	3.21	---	9.00	3.09 ~ 9.40	3.11	0.64 ~ 3.39	13.8	2.8 ~ 15.0	98
	2.0+2.0+5.0+6.0	1.20	1.20	3.00	3.60	---	9.00	3.22 ~ 10.40	2.88	0.64 ~ 4.26	12.8	2.8 ~ 18.9	98
	2.0+2.5+2.5+2.5	1.67	2.09	2.09	2.09	---	7.94	2.50 ~ 8.78	2.42	0.54 ~ 2.99	10.7	2.4 ~ 13.3	98
	2.0+2.5+2.5+3.5	1.57	1.98	1.98	2.77	---	8.30	2.63 ~ 8.86	2.80	0.54 ~ 3.20	12.4	2.4 ~ 14.2	98
	2.0+2.5+2.5+5.0	1.46	1.84	1.84	3.68	---	8.82	2.83 ~ 9.21	3.08	0.57 ~ 3.36	13.7	2.5 ~ 14.9	98
	2.0+2.5+2.5+6.0	1.39	1.73	1.73	4.15	---	9.00	2.96 ~ 9.65	2.93	0.61 ~ 3.43	13.0	2.7 ~ 15.2	98
	2.0+2.5+2.5+7.1	1.27	1.60	1.60	4.53	---	9.00	3.10 ~ 9.68	2.79	0.64 ~ 3.44	12.4	2.8 ~ 15.3	98
	2.0+2.5+3.5+3.5	1.50	1.89	2.63	2.63	---	8.65	2.76 ~ 9.04	3.06	0.57 ~ 3.34	13.6	2.5 ~ 14.8	98
	2.0+2.5+3.5+5.0	1.39	1.73	2.42	3.46	---	9.00	2.96 ~ 9.22	3.22	0.61 ~ 3.36	14.3	2.7 ~ 14.9	98
	2.0+2.5+3.5+6.0	1.28	1.61	2.25	3.86	---	9.00	3.09 ~ 9.66	2.86	0.64 ~ 3.43	12.7	2.8 ~ 15.2	98
	2.0+2.5+3.5+7.1	1.19	1.49	2.09	4.23	---	9.00	3.23 ~ 10.12	2.79	0.64 ~ 3.98	12.4	2.8 ~ 17.7	98
	2.0+2.5+5.0+5.0	1.25	1.55	3.10	3.10	---	9.00	3.16 ~ 9.40	3.11	0.64 ~ 3.39	13.8	2.8 ~ 15.0	98
	2.0+2.5+5.0+6.0	1.17	1.45	2.90	3.48	---	9.00	3.29 ~ 10.40	2.88	0.64 ~ 4.26	12.8	2.8 ~ 18.9	98
	2.0+3.5+3.5+3.5	1.44	2.52	2.52	2.52	---	9.00	2.89 ~ 9.05	3.34	0.60 ~ 3.39	14.8	2.7 ~ 15.0	98
	2.0+3.5+3.5+5.0	1.29	2.25	2.25	3.21	---	9.00	3.09 ~ 9.22	3.22	0.64 ~ 3.37	14.3	2.8 ~ 15.0	98
	2.0+3.5+3.5+6.0	1.20	2.10	2.10	3.60	---	9.00	3.22 ~ 10.10	2.86	0.64 ~ 3.97	12.7	2.8 ~ 17.6	98
	2.0+3.5+5.0+5.0	1.17	2.03	2.90	2.90	---	9.00	3.29 ~ 9.96	3.11	0.67 ~ 4.15	13.8	3.0 ~ 18.4	98
	2.5+2.5+2.5+2.5	2.03	2.03	2.03	2.03	---	8.12	2.57 ~ 8.85	2.67	0.54 ~ 3.19	11.8	2.4 ~ 14.2	98
	2.5+2.5+2.5+3.5	1.93	1.93	1.93	2.68	---	8.47	2.70 ~ 8.86	2.93	0.57 ~ 3.20	13.0	2.5 ~ 14.2	98
	2.5+2.5+2.5+5.0	1.80	1.80	1.80	3.60	---	9.00	2.89 ~ 9.21	3.22	0.61 ~ 3.36	14.3	2.7 ~ 14.9	98
	2.5+2.5+2.5+6.0	1.67	1.67	1.67	3.99	---	9.00	3.02 ~ 9.65	2.93	0.61 ~ 3.43	13.0	2.7 ~ 15.2	98
	2.5+2.5+2.5+7.1	1.54	1.54	1.54	4.38	---	9.00	3.17 ~ 9.68	2.79	0.64 ~ 3.44	12.4	2.8 ~ 15.3	98
	2.5+2.5+3.5+3.5	1.84	1.84	2.57	2.57	---	8.82	2.83 ~ 9.04	3.20	0.60 ~ 3.34	14.2	2.7 ~ 14.8	98
	2.5+2.5+3.5+5.0	1.67	1.67	2.33	3.33	---	9.00	3.02 ~ 9.22	3.22	0.64 ~ 3.36	14.3	2.8 ~ 14.9	98
	2.5+2.5+3.5+6.5	1.55	1.55	2.18	3.72	---	9.00	3.16 ~ 9.66	2.86	0.64 ~ 3.43	12.7	2.8 ~ 15.2	98
2.5+2.5+3.5+7.1	1.44	1.44	2.02	4.10	---	9.00	3.30 ~ 10.12	2.79	0.67 ~ 3.98	12.4	3.0 ~ 17.7	98	

3D052442-3A

NOTES

- Cooling capacity is based on 27°CDB / 19°CWB (indoor temperature), 35°CDB (outdoor temperature). Heating capacity is based on 20°CDB (indoor temperature), 7°CDB/6°CWB (outdoor temperature).
- The total ability of connected a indoor unit is up to 15.6 kW
- It is impossible to connect the indoor unit for one room only.
- The above is the value for connecting with the following indoor units.
2.0, 2.5, 3.5, 5.0 kW class: wall mounted D series
6.0, 7.1 kW class: wall mounted E series

5 Capacity tables

5 - 1 Combination table

Cooling [50Hz 230V]

Outdoor unit	Combination of indoor unit	Capacity of each indoor unit											
		Each capacity (kW)					Total capacity (kW)		Total input (W)		Total current (A)		Power factor %
		A Room	B Room	C Room	D Room	E Room	Rating	(Min.-max.)	Rating	(Min.-max.)	Rating	(Min.-max.)	Rating
5MKS90E7V3B	2.5+2.5+5.0+5.0	1.50	1.50	3.00	3.00	---	9.00	3.22 ~ 9.95	3.11	0.67 ~ 4.15	13.8	3.0 ~ 18.4	98
	2.5+3.5+3.5+3.5	1.74	2.42	2.42	2.42	---	9.00	2.96 ~ 9.07	3.34	0.60 ~ 3.39	14.8	2.7 ~ 15.0	98
	2.5+3.5+3.5+5.0	1.56	2.17	2.17	3.10	---	9.00	3.16 ~ 9.22	3.22	0.64 ~ 3.37	14.3	2.8 ~ 15.0	98
	2.5+3.5+3.5+6.0	1.46	2.03	2.03	3.48	---	9.00	3.29 ~ 10.10	2.86	0.67 ~ 3.97	12.7	3.0 ~ 17.6	98
	3.5+3.5+3.5+3.5	2.25	2.25	2.25	2.25	---	9.00	3.09 ~ 9.05	3.34	0.64 ~ 3.39	14.8	2.8 ~ 15.0	98
	3.5+3.5+3.5+5.0	2.03	2.03	2.03	2.91	---	9.00	3.29 ~ 9.66	3.22	0.67 ~ 3.88	14.3	3.0 ~ 17.2	98
	2.0+2.0+2.0+2.0	1.63	1.63	1.63	1.63	1.63	8.15	2.57 ~ 9.03	2.40	0.55 ~ 3.00	10.6	2.4 ~ 13.3	98
	2.0+2.0+2.0+2.5	1.58	1.58	1.58	1.58	1.98	8.30	2.63 ~ 9.25	2.47	0.55 ~ 3.14	11.0	2.4 ~ 13.9	98
	2.0+2.0+2.0+3.5	1.50	1.50	1.50	1.50	2.65	8.65	2.76 ~ 9.64	2.73	0.58 ~ 3.43	12.1	2.6 ~ 15.2	98
	2.0+2.0+2.0+5.0	1.38	1.38	1.38	1.38	3.48	9.00	2.96 ~ 9.85	2.88	0.61 ~ 3.46	12.8	2.7 ~ 15.4	98
	2.0+2.0+2.0+6.0	1.29	1.29	1.29	1.29	3.84	9.00	3.09 ~ 10.30	2.68	0.61 ~ 3.53	11.9	2.7 ~ 15.7	98
	2.0+2.0+2.0+7.1	1.19	1.19	1.19	1.19	4.24	9.00	3.23 ~ 10.46	2.58	0.64 ~ 3.70	11.4	2.8 ~ 16.4	98
	2.0+2.0+2.0+2.5+3.5	1.54	1.54	1.54	1.92	1.92	8.46	2.70 ~ 9.45	2.59	0.55 ~ 3.29	11.5	2.4 ~ 14.6	98
	2.0+2.0+2.0+3.5+5.0	1.47	1.47	1.47	1.84	2.57	8.82	2.83 ~ 9.67	2.79	0.58 ~ 3.43	12.4	2.6 ~ 15.2	98
	2.0+2.0+2.0+5.0+5.0	1.33	1.33	1.33	1.67	3.34	9.00	3.02 ~ 9.85	2.88	0.61 ~ 3.46	12.8	2.7 ~ 15.4	98
	2.0+2.0+2.0+5.0+6.0	1.24	1.24	1.24	1.55	3.73	9.00	3.16 ~ 10.30	2.68	0.61 ~ 3.53	11.9	2.7 ~ 15.7	98
	2.0+2.0+2.0+5.0+7.1	1.15	1.15	1.15	1.44	4.11	9.00	3.30 ~ 10.50	2.58	0.64 ~ 3.70	11.4	2.8 ~ 16.4	98
	2.0+2.0+2.0+3.5+3.5	1.54	1.54	1.54	1.92	1.92	8.46	2.70 ~ 9.45	2.63	0.55 ~ 3.29	11.7	2.4 ~ 14.6	98
	2.0+2.0+2.0+3.5+5.0	1.24	1.24	1.24	2.17	3.11	9.00	3.16 ~ 9.86	2.88	0.64 ~ 3.46	12.8	2.8 ~ 15.4	98
	2.0+2.0+2.0+3.5+6.0	1.16	1.16	1.16	2.03	3.49	9.00	3.29 ~ 10.49	2.65	0.64 ~ 3.69	11.8	2.8 ~ 16.4	98
	2.0+2.0+2.0+5.0+2.5	1.51	1.51	1.88	1.88	1.88	8.66	2.76 ~ 9.64	2.73	0.58 ~ 3.43	12.1	2.6 ~ 15.2	98
	2.0+2.0+2.0+5.0+3.5	1.44	1.44	1.80	1.80	2.52	9.00	2.89 ~ 9.67	2.93	0.58 ~ 3.43	13.0	2.6 ~ 15.2	98
	2.0+2.0+2.0+5.0+5.0	1.29	1.29	1.61	1.61	3.20	9.00	3.09 ~ 9.85	2.88	0.61 ~ 3.46	12.8	2.7 ~ 15.4	98
	2.0+2.0+2.0+5.0+6.0	1.20	1.20	1.50	1.50	3.60	9.00	3.22 ~ 10.45	2.64	0.64 ~ 3.69	11.7	2.8 ~ 16.4	98
	2.0+2.0+2.0+3.5+3.5	1.33	1.33	1.68	2.33	2.33	9.00	3.02 ~ 9.68	2.93	0.61 ~ 3.44	13.0	2.7 ~ 15.3	98
	2.0+2.0+2.0+3.5+5.0	1.20	1.20	1.50	2.10	3.00	9.00	3.22 ~ 10.42	2.88	0.64 ~ 4.26	12.8	2.8 ~ 18.9	98
	2.0+2.0+2.0+3.5+3.5	1.23	1.23	2.18	2.18	2.18	9.00	3.16 ~ 9.69	2.93	0.64 ~ 3.44	13.0	2.8 ~ 15.3	98
	2.0+2.0+2.0+5.0+2.5	1.46	1.84	1.84	1.84	1.84	8.82	2.83 ~ 9.67	2.86	0.58 ~ 3.43	12.7	2.6 ~ 15.2	98
	2.0+2.0+2.0+5.0+3.5	1.39	1.73	1.73	1.73	2.42	9.00	2.96 ~ 9.67	2.93	0.61 ~ 3.43	13.0	2.7 ~ 15.2	98
	2.0+2.0+2.0+5.0+5.0	1.25	1.55	1.55	1.55	3.10	9.00	3.16 ~ 9.85	2.88	0.64 ~ 3.46	12.8	2.8 ~ 15.4	98
	2.0+2.0+2.0+5.0+6.0	1.17	1.45	1.45	1.45	3.48	9.00	3.29 ~ 10.49	2.64	0.64 ~ 3.77	11.7	2.8 ~ 16.7	98
	2.0+2.0+2.0+3.5+3.5	1.28	1.61	1.61	2.25	2.25	9.00	3.09 ~ 9.68	2.93	0.64 ~ 3.44	13.0	2.8 ~ 15.3	98
	2.0+2.0+2.0+3.5+5.0	1.17	1.45	1.45	2.03	2.90	9.00	3.29 ~ 10.42	2.88	0.64 ~ 4.26	12.8	2.8 ~ 18.9	98
	2.0+2.0+2.0+3.5+3.5	1.20	1.50	2.10	2.10	2.10	9.00	3.22 ~ 10.12	2.93	0.64 ~ 3.98	13.0	2.8 ~ 17.7	98
	2.5+2.5+2.5+2.5	1.80	1.80	1.80	1.80	1.80	9.00	2.89 ~ 9.67	2.93	0.58 ~ 3.43	13.0	2.6 ~ 15.2	98
	2.5+2.5+2.5+3.5	1.67	1.67	1.67	1.67	2.32	9.00	3.02 ~ 9.67	2.86	0.61 ~ 3.43	12.7	2.7 ~ 15.2	98
	2.5+2.5+2.5+5.0	1.50	1.50	1.50	1.50	3.00	9.00	3.22 ~ 10.41	2.88	0.64 ~ 4.26	12.8	2.8 ~ 18.9	98
	2.5+2.5+2.5+3.5	1.56	1.56	1.56	2.16	2.16	9.00	3.16 ~ 9.68	2.93	0.64 ~ 3.44	13.0	2.8 ~ 15.3	98
	2.5+2.5+3.5+3.5	1.44	1.44	2.04	2.04	2.04	9.00	3.29 ~ 10.12	2.86	0.67 ~ 3.98	12.7	3.0 ~ 17.7	98

3D052442-4A

NOTES

- Cooling capacity is based on 27°CDB / 19°CWB (indoor temperature), 35°CDB (outdoor temperature). Heating capacity is based on 20°CDB (indoor temperature), 7°CDB/6°CWB (outdoor temperature).
- The total ability of connected a indoor unit is up to 15.6 kW
- It is impossible to connect the indoor unit for one room only.
- The above is the value for connecting with the following indoor units.
2.0, 2.5, 3.5, 5.0 kW class: wall mounted D series
6.0, 7.1 kW class: wall mounted E series

5 Capacity tables

5 - 2 Cooling capacity tables

3MKS50E													
Cooling [50Hz 230V]													
Combination (Capacity)	Outdoor air temp. °CDB	Indoor air temp.: °CWB											
		14°C		16°C		18°C		19°C		22°C		24°C	
		TC kW	PI kW	TC kW	PI kW	TC kW	PI kW	TC kW	PI kW	TC kW	PI kW	TC kW	PI kW
2.0	22.0	2.63	0.54	3.04	0.62	3.17	0.63	3.24	0.64	3.44	0.66	3.57	0.67
	25.0	2.63	0.58	2.96	0.64	3.09	0.65	3.16	0.66	3.36	0.68	3.49	0.69
	32.0	2.63	0.68	2.77	0.70	2.90	0.71	2.97	0.72	3.17	0.73	3.30	0.74
	35.0	2.56	0.71	2.69	0.72	2.82	0.73	2.89	0.74	3.09	0.76	3.22	0.77
	40.0	2.42	0.76	2.56	0.77	2.69	0.78	2.76	0.79	2.96	0.80	3.09	0.82
	43.0	2.34	0.79	2.47	0.80	2.61	0.81	2.67	0.82	2.87	0.83	3.01	0.84
	46.0	2.26	0.82	2.39	0.83	2.53	0.84	2.59	0.85	2.79	0.86	2.93	0.87
2.5	22.0	2.63	0.54	3.23	0.62	3.43	0.64	3.50	0.65	3.71	0.66	3.86	0.68
	25.0	2.63	0.58	3.19	0.65	3.34	0.66	3.41	0.67	3.63	0.69	3.77	0.70
	32.0	2.63	0.68	2.99	0.71	3.14	0.72	3.21	0.72	3.42	0.74	3.57	0.75
	35.0	2.63	0.68	2.90	0.73	3.05	0.74	3.12	0.75	3.34	0.77	3.48	0.78
	40.0	2.62	0.77	2.76	0.78	2.90	0.79	2.97	0.80	3.19	0.81	3.33	0.83
	43.0	2.53	0.80	2.67	0.81	2.82	0.82	2.89	0.83	3.10	0.84	3.25	0.86
	46.0	2.44	0.83	2.58	0.84	2.73	0.85	2.80	0.86	3.02	0.87	3.16	0.89
3.5	22.0	3.00	0.66	3.68	0.83	4.42	1.03	4.73	1.11	5.02	1.14	5.22	1.16
	25.0	3.00	0.71	3.68	0.89	4.42	1.10	4.61	1.15	4.90	1.18	5.10	1.20
	32.0	3.00	0.84	3.68	1.06	4.24	1.24	4.34	1.25	4.63	1.28	4.82	1.30
	35.0	3.00	0.90	3.68	1.14	4.12	1.28	4.22	1.29	4.51	1.32	4.71	1.34
	40.0	3.00	1.03	3.68	1.31	3.93	1.36	4.02	1.37	4.32	1.40	4.51	1.42
	43.0	3.00	1.12	3.61	1.39	3.81	1.41	3.91	1.42	4.20	1.45	4.39	1.47
	46.0	3.00	1.22	3.50	1.44	3.69	1.46	3.79	1.47	4.08	1.50	4.27	1.52
2.0+2.0	22.0	5.26	1.27	6.27	1.60	6.54	1.63	6.68	1.65	7.09	1.69	7.37	1.72
	25.0	5.26	1.37	6.10	1.66	6.38	1.69	6.52	1.70	6.93	1.75	7.20	1.78
	32.0	5.26	1.67	5.71	1.80	5.99	1.83	6.13	1.85	6.54	1.89	6.81	1.92
	35.0	5.26	1.83	5.55	1.87	5.82	1.90	5.96	1.91	6.37	1.96	6.65	1.99
	40.0	5.00	1.95	5.27	1.98	5.55	2.01	5.68	2.03	6.09	2.08	6.37	2.11
	43.0	4.83	2.03	5.10	2.06	5.38	2.09	5.52	2.10	5.93	2.15	6.20	2.18
	46.0	4.63	2.07	4.86	2.07	5.10	2.07	5.21	2.07	5.55	2.07	5.76	2.07
2.0+2.5	22.0	5.26	1.27	6.46	1.75	6.84	1.83	6.98	1.84	7.41	1.90	7.70	1.93
	25.0	5.26	1.37	6.38	1.86	6.67	1.89	6.81	1.91	7.24	1.96	7.53	1.99
	32.0	5.26	1.67	5.97	2.02	6.26	2.05	6.40	2.07	6.83	2.12	7.12	2.15
	35.0	5.26	1.83	5.80	2.09	6.09	2.13	6.23	2.14	6.66	2.19	6.95	2.23
	40.0	5.22	2.19	5.51	2.22	5.80	2.26	5.94	2.27	6.37	2.33	6.66	2.36
	43.0	5.05	2.27	5.34	2.31	5.62	2.34	5.77	2.36	6.20	2.41	6.48	2.44
	46.0	4.63	2.07	4.86	2.07	5.09	2.07	5.20	2.07	5.52	2.07	5.73	2.07
2.0+3.5	22.0	5.63	1.42	6.56	1.73	6.85	1.77	7.00	1.78	7.43	1.83	7.71	1.87
	25.0	5.63	1.54	6.39	1.80	6.68	1.83	6.82	1.85	7.25	1.89	7.54	1.93
	32.0	5.63	1.88	5.98	1.95	6.27	1.98	6.41	2.00	6.85	2.05	7.13	2.08
	35.0	5.52	1.99	5.81	2.02	6.10	2.06	6.24	2.07	6.67	2.12	6.96	2.15
	40.0	5.23	2.12	5.52	2.15	5.81	2.18	5.95	2.20	6.38	2.25	6.67	2.28
	43.0	5.06	2.20	5.34	2.23	5.63	2.26	5.78	2.28	6.21	2.33	6.49	2.36
	46.0	4.69	2.07	4.92	2.07	5.15	2.07	5.27	2.07	5.60	2.07	5.81	2.07

3D052360-1A-A

SYMBOLS

TC : Total cooling capacity (kW)
PI : Power input (kW)

NOTES

Capacities are based on following conditions
Corresponding refrigerant piping length: 7.5 m
Level difference: 0 m
The above is the value for connecting with the following indoor units.
2.0, 2.5, 3.5kW class; wall mounted D series

5 Capacity tables

5 - 2 Cooling capacity tables

5

3MKS50E

Cooling [50Hz 230V]

Combination (Capacity)	Outdoor air temp. °CDB	Indoor air temp.: °CWB											
		14°C		16°C		18°C		19°C		22°C		24°C	
		TC kW	PI kW	TC kW	PI kW	TC kW	PI kW	TC kW	PI kW	TC kW	PI kW	TC kW	PI kW
2.5+2.5	22.0	5.26	1.32	6.46	1.75	6.84	1.83	6.98	1.84	7.41	1.90	7.70	1.93
	25.0	5.26	1.42	6.38	1.86	6.67	1.89	6.81	1.91	7.24	1.96	7.53	1.99
	32.0	5.26	1.72	5.97	2.02	6.26	2.05	6.40	2.07	6.83	2.12	7.12	2.15
	35.0	5.26	1.89	5.80	2.09	6.09	2.13	6.23	2.14	6.66	2.19	6.95	2.23
	40.0	5.22	2.19	5.51	2.22	5.80	2.26	5.94	2.27	6.37	2.33	6.66	2.36
	43.0	5.05	2.27	5.34	2.31	5.62	2.34	5.77	2.36	6.20	2.41	6.48	2.44
	46.0	4.63	2.07	4.86	2.07	5.09	2.07	5.20	2.07	5.52	2.07	5.73	2.07
2.5+3.5	22.0	5.63	1.43	6.68	1.81	6.97	1.84	7.12	1.86	7.56	1.91	7.85	1.95
	25.0	5.63	1.55	6.50	1.87	6.80	1.91	6.94	1.93	7.38	1.98	7.67	2.01
	32.0	5.63	1.90	6.09	2.04	6.38	2.07	6.53	2.09	6.97	2.14	7.26	2.17
	35.0	5.62	2.08	5.91	2.11	6.20	2.15	6.35	2.16	6.79	2.21	7.08	2.25
	40.0	5.32	2.21	5.62	2.24	5.91	2.28	6.05	2.29	6.49	2.35	6.79	2.38
	43.0	5.15	2.29	5.44	2.33	5.73	2.36	5.88	2.38	6.32	2.43	6.61	2.47
	46.0	4.70	2.07	4.93	2.07	5.16	2.07	5.27	2.07	5.60	2.07	5.81	2.07
3.5+3.5	22.0	6.00	1.57	6.73	1.80	7.03	1.84	7.17	1.85	7.62	1.90	7.91	1.94
	25.0	6.00	1.70	6.55	1.86	6.85	1.90	7.00	1.92	7.44	1.97	7.73	2.00
	32.0	5.84	1.99	6.14	2.03	6.43	2.06	6.58	2.08	7.02	2.13	7.32	2.16
	35.0	5.66	2.07	5.96	2.10	6.25	2.14	6.40	2.15	6.84	2.20	7.14	2.24
	40.0	5.36	2.20	5.66	2.23	5.95	2.27	6.10	2.28	6.54	2.34	6.84	2.37
	43.0	5.19	2.28	5.48	2.32	5.78	2.35	5.92	2.37	6.37	2.42	6.66	2.45
	46.0	4.74	2.07	4.98	2.07	5.21	2.07	5.32	2.07	5.65	2.07	5.86	2.07
2.0+2.0+2.0	22.0	7.08	1.78	7.41	1.81	7.73	1.84	7.89	1.86	8.38	1.91	8.70	1.95
	25.0	6.88	1.84	7.21	1.87	7.53	1.91	7.70	1.93	8.18	1.98	8.51	2.01
	32.0	6.43	2.00	6.75	2.04	7.07	2.07	7.24	2.09	7.72	2.14	8.05	2.17
	35.0	6.23	2.08	6.55	2.11	6.88	2.15	7.04	2.16	7.53	2.21	7.85	2.25
	40.0	5.90	2.21	6.23	2.24	6.55	2.28	6.71	2.29	7.20	2.35	7.52	2.38
	43.0	5.70	2.29	6.03	2.33	6.35	2.36	6.52	2.38	7.00	2.43	7.33	2.47
	46.0	5.17	2.07	5.42	2.07	5.67	2.07	5.79	2.07	6.14	2.07	6.37	2.07
2.0+2.0+2.5	22.0	7.08	1.78	7.41	1.81	7.73	1.84	7.89	1.86	8.38	1.91	8.70	1.95
	25.0	6.88	1.84	7.21	1.87	7.53	1.91	7.70	1.93	8.18	1.98	8.51	2.01
	32.0	6.43	2.00	6.75	2.04	7.07	2.07	7.24	2.09	7.72	2.14	8.05	2.17
	35.0	6.23	2.08	6.55	2.11	6.88	2.15	7.04	2.16	7.53	2.21	7.85	2.25
	40.0	5.90	2.21	6.23	2.24	6.55	2.28	6.71	2.29	7.20	2.35	7.52	2.38
	43.0	5.70	2.29	6.03	2.33	6.35	2.36	6.52	2.38	7.00	2.43	7.33	2.47
	46.0	5.17	2.07	5.42	2.07	5.67	2.07	5.79	2.07	6.14	2.07	6.37	2.07
2.0+2.0+3.5	22.0	7.10	1.78	7.43	1.81	7.75	1.84	7.91	1.86	8.40	1.91	8.73	1.95
	25.0	6.90	1.84	7.23	1.87	7.55	1.91	7.72	1.93	8.21	1.98	8.53	2.01
	32.0	6.44	2.00	6.77	2.04	7.09	2.07	7.26	2.09	7.75	2.14	8.07	2.17
	35.0	6.25	2.08	6.57	2.11	6.90	2.15	7.06	2.16	7.55	2.21	7.87	2.25
	40.0	5.92	2.21	6.24	2.24	6.57	2.28	6.73	2.29	7.22	2.35	7.54	2.38
	43.0	5.72	2.29	6.05	2.33	6.37	2.36	6.53	2.38	7.02	2.43	7.35	2.47
	46.0	5.18	2.07	5.44	2.07	5.68	2.07	5.81	2.07	6.16	2.07	6.39	2.07

3D052360-1A-B

SYMBOLS

TC : Total cooling capacity (kW)
PI : Power input (kW)

NOTES

Capacities are based on following conditions
Corresponding refrigerant piping length: 7.5 m
Level difference: 0 m
The above is the value for connecting with the following indoor units.
2.0, 2.5, 3.5kW class; wall mounted D series

5 Capacity tables

5 - 2 Cooling capacity tables

3MKS50E													
Cooling [50Hz 230V]													
Combination (Capacity)	Outdoor air temp. °CDB	Indoor air temp.: °CWB											
		14°C		16°C		18°C		19°C		22°C		24°C	
		TC kW	PI kW	TC kW	PI kW	TC kW	PI kW	TC kW	PI kW	TC kW	PI kW	TC kW	PI kW
2.0+2.5+2.5	22.0	7.08	1.78	7.41	1.81	7.73	1.84	7.89	1.86	8.38	1.91	8.70	1.95
	25.0	6.88	1.84	7.21	1.87	7.53	1.91	7.70	1.93	8.18	1.98	8.51	2.01
	32.0	6.43	2.00	6.75	2.04	7.07	2.07	7.24	2.09	7.72	2.14	8.05	2.17
	35.0	6.23	2.08	6.55	2.11	6.88	2.15	7.04	2.16	7.53	2.21	7.85	2.25
	40.0	5.90	2.21	6.23	2.24	6.55	2.28	6.71	2.29	7.20	2.35	7.52	2.38
	43.0	5.70	2.29	6.03	2.33	6.35	2.36	6.52	2.38	7.00	2.43	7.33	2.47
	46.0	5.17	2.07	5.42	2.07	5.67	2.07	5.79	2.07	6.14	2.07	6.37	2.07
2.0+2.5+3.5	22.0	7.10	1.78	7.43	1.81	7.75	1.84	7.91	1.86	8.40	1.91	8.73	1.95
	25.0	6.90	1.84	7.23	1.87	7.55	1.91	7.72	1.93	8.21	1.98	8.53	2.01
	32.0	6.44	2.00	6.77	2.04	7.09	2.07	7.26	2.09	7.75	2.14	8.07	2.17
	35.0	6.25	2.08	6.57	2.11	6.90	2.15	7.06	2.16	7.55	2.21	7.87	2.25
	40.0	5.92	2.21	6.24	2.24	6.57	2.28	6.73	2.29	7.22	2.35	7.54	2.38
	43.0	5.72	2.29	6.05	2.33	6.37	2.36	6.53	2.38	7.02	2.43	7.35	2.47
	46.0	5.18	2.07	5.44	2.07	5.68	2.07	5.81	2.07	6.16	2.07	6.39	2.07
2.0+3.5+3.5	22.0	7.11	1.78	7.44	1.81	7.76	1.84	7.93	1.86	8.41	1.91	8.74	1.95
	25.0	6.91	1.84	7.24	1.87	7.57	1.91	7.73	1.93	8.22	1.98	8.54	2.01
	32.0	6.45	2.00	6.78	2.04	7.10	2.07	7.27	2.09	7.76	2.14	8.08	2.17
	35.0	6.26	2.08	6.58	2.11	6.91	2.15	7.07	2.16	7.56	2.21	7.88	2.25
	40.0	5.93	2.21	6.25	2.24	6.58	2.28	6.74	2.29	7.23	2.35	7.56	2.38
	43.0	5.73	2.29	6.05	2.33	6.38	2.36	6.54	2.38	7.03	2.43	7.36	2.47
	46.0	5.19	2.07	5.44	2.07	5.69	2.07	5.81	2.07	6.17	2.07	6.40	2.07
2.5+2.5+2.5	22.0	7.08	1.78	7.41	1.81	7.73	1.84	7.89	1.86	8.38	1.91	8.70	1.95
	25.0	6.88	1.84	7.21	1.87	7.53	1.91	7.70	1.93	8.18	1.98	8.51	2.01
	32.0	6.43	2.00	6.75	2.04	7.07	2.07	7.24	2.09	7.72	2.14	8.05	2.17
	35.0	6.23	2.08	6.55	2.11	6.88	2.15	7.04	2.16	7.53	2.21	7.85	2.25
	40.0	5.90	2.21	6.23	2.24	6.55	2.28	6.71	2.29	7.20	2.35	7.52	2.38
	43.0	5.70	2.29	6.03	2.33	6.35	2.36	6.52	2.38	7.00	2.43	7.33	2.47
	46.0	5.17	2.07	5.42	2.07	5.67	2.07	5.79	2.07	6.14	2.07	6.37	2.07
2.5+2.5+3.5	22.0	7.10	1.78	7.43	1.81	7.75	1.84	7.91	1.86	8.40	1.91	8.73	1.95
	25.0	6.90	1.84	7.23	1.87	7.55	1.91	7.72	1.93	8.21	1.98	8.53	2.01
	32.0	6.44	2.00	6.77	2.04	7.09	2.07	7.26	2.09	7.75	2.14	8.07	2.17
	35.0	6.25	2.08	6.57	2.11	6.90	2.15	7.06	2.16	7.55	2.21	7.87	2.25
	40.0	5.92	2.21	6.24	2.24	6.57	2.28	6.73	2.29	7.22	2.35	7.54	2.38
	43.0	5.72	2.29	6.05	2.33	6.37	2.36	6.53	2.38	7.02	2.43	7.35	2.47
	46.0	5.18	2.07	5.44	2.07	5.68	2.07	5.81	2.07	6.16	2.07	6.39	2.07
2.5+3.5+3.5	22.0	7.11	1.78	7.44	1.81	7.76	1.84	7.93	1.86	8.41	1.91	8.74	1.95
	25.0	6.91	1.84	7.24	1.87	7.57	1.91	7.73	1.93	8.22	1.98	8.54	2.01
	32.0	6.45	2.00	6.78	2.04	7.10	2.07	7.27	2.09	7.76	2.14	8.08	2.17
	35.0	6.26	2.08	6.58	2.11	6.91	2.15	7.07	2.16	7.56	2.21	7.88	2.25
	40.0	5.93	2.21	6.25	2.24	6.58	2.28	6.74	2.29	7.23	2.35	7.56	2.38
	43.0	5.73	2.29	6.05	2.33	6.38	2.36	6.54	2.38	7.03	2.43	7.36	2.47
	46.0	5.19	2.07	5.44	2.07	5.69	2.07	5.81	2.07	6.17	2.07	6.40	2.07

3D052360-2A

SYMBOLS

TC : Total cooling capacity (kW)
PI : Power input (kW)

NOTES

Capacities are based on following conditions
Corresponding refrigerant piping length: 7.5 m
Level difference: 0 m
The above is the value for connecting with the following indoor units.
2.0, 2.5, 3.5kW class; wall mounted D series

5 Capacity tables

5 - 2 Cooling capacity tables

5

3MKS50E

Cooling [50Hz 230V]

Combination (Capacity)	Outdoor air temp. °CDB	Indoor air temp.: °CWB											
		14°C		16°C		18°C		19°C		22°C		24°C	
		TC kW	PI kW	TC kW	PI kW	TC kW	PI kW	TC kW	PI kW	TC kW	PI kW	TC kW	PI kW
2.0	22.0	2.47	0.50	2.99	0.61	3.12	0.62	3.18	0.63	3.38	0.65	3.51	0.66
	25.0	2.47	0.54	2.91	0.63	3.04	0.64	3.10	0.65	3.30	0.67	3.43	0.68
	32.0	2.47	0.64	2.72	0.69	2.85	0.70	2.92	0.71	3.12	0.72	3.25	0.73
	35.0	2.47	0.69	2.64	0.71	2.77	0.72	2.84	0.73	3.04	0.75	3.17	0.76
	40.0	2.38	0.75	2.51	0.76	2.64	0.77	2.71	0.78	2.90	0.79	3.03	0.80
	43.0	2.30	0.77	2.43	0.79	2.56	0.80	2.63	0.80	2.82	0.82	2.96	0.83
	46.0	2.22	0.80	2.35	0.82	2.48	0.83	2.55	0.83	2.75	0.85	2.88	0.86
2.5	22.0	2.47	0.50	3.03	0.58	3.37	0.64	3.44	0.65	3.65	0.66	3.80	0.68
	25.0	2.47	0.54	3.03	0.62	3.29	0.66	3.36	0.67	3.57	0.69	3.71	0.70
	32.0	2.47	0.64	2.94	0.71	3.09	0.72	3.16	0.72	3.37	0.74	3.51	0.75
	35.0	2.47	0.69	2.86	0.73	3.00	0.74	3.07	0.75	3.28	0.77	3.42	0.78
	40.0	2.47	0.73	2.71	0.78	2.86	0.79	2.93	0.80	3.14	0.81	3.28	0.83
	43.0	2.47	0.79	2.63	0.81	2.77	0.82	2.84	0.83	3.05	0.84	3.19	0.86
	46.0	2.40	0.83	2.54	0.84	2.68	0.85	2.76	0.86	2.97	0.87	3.11	0.89
3.5	22.0	2.65	0.55	3.22	0.63	3.82	0.86	4.14	0.94	4.90	1.13	5.09	1.15
	25.0	2.65	0.59	3.22	0.76	3.82	0.92	4.14	1.01	4.79	1.17	4.98	1.19
	32.0	2.65	0.65	3.22	0.90	3.82	1.09	4.14	1.20	4.52	1.27	4.71	1.29
	35.0	2.65	0.70	3.22	0.97	3.82	1.17	4.12	1.28	4.40	1.31	4.59	1.33
	40.0	2.65	0.89	3.22	1.10	3.82	1.34	3.93	1.36	4.21	1.39	4.40	1.41
	43.0	2.65	0.96	3.22	1.19	3.72	1.40	3.81	1.41	4.10	1.44	4.29	1.46
	46.0	2.65	1.05	3.22	1.30	3.60	1.45	3.70	1.46	3.98	1.49	4.17	1.51
2.0+2.0	22.0	4.94	1.20	6.06	1.58	6.35	1.62	6.48	1.64	6.88	1.68	7.15	1.71
	25.0	4.94	1.30	5.92	1.65	6.19	1.68	6.32	1.69	6.72	1.74	6.98	1.77
	32.0	4.94	1.57	5.54	1.79	5.81	1.82	5.94	1.84	6.34	1.88	6.61	1.91
	35.0	4.94	1.72	5.38	1.86	5.65	1.89	5.78	1.90	6.18	1.95	6.45	1.98
	40.0	4.85	1.94	5.11	1.97	5.38	2.00	5.51	2.02	5.91	2.06	6.18	2.09
	43.0	4.68	2.02	4.95	2.05	5.22	2.08	5.35	2.09	5.75	2.14	6.02	2.17
	46.0	4.50	2.07	4.73	2.07	4.96	2.07	5.07	2.07	5.40	2.07	5.61	2.07
2.0+2.5	22.0	4.94	1.20	6.06	1.58	6.65	1.90	6.79	1.92	7.21	1.98	7.49	2.01
	25.0	4.94	1.30	6.06	1.85	6.48	1.97	6.62	1.99	7.04	2.04	7.32	2.08
	32.0	4.94	1.57	5.81	2.10	6.09	2.14	6.23	2.15	6.65	2.21	6.93	2.24
	35.0	4.94	1.72	5.64	2.18	5.92	2.21	6.06	2.23	6.48	2.29	6.76	2.32
	40.0	4.94	2.16	5.36	2.32	5.64	2.35	5.78	2.37	6.20	2.42	6.48	2.46
	43.0	4.91	2.37	5.19	2.40	5.47	2.44	5.61	2.46	6.03	2.51	6.31	2.55
	46.0	4.47	2.07	4.69	2.07	4.90	2.07	5.01	2.07	5.32	2.07	5.52	2.07
2.0+3.5	22.0	4.94	1.26	6.06	1.66	6.65	1.84	6.79	1.86	7.21	1.91	7.49	1.95
	25.0	4.94	1.35	6.06	1.80	6.48	1.91	6.62	1.93	7.04	1.98	7.32	2.01
	32.0	4.94	1.63	5.81	2.04	6.09	2.07	6.23	2.09	6.65	2.14	6.93	2.17
	35.0	4.94	1.79	5.64	2.11	5.92	2.15	6.06	2.16	6.48	2.21	6.76	2.25
	40.0	4.94	2.09	5.36	2.24	5.64	2.28	5.78	2.29	6.20	2.35	6.48	2.38
	43.0	4.91	2.29	5.19	2.33	5.47	2.36	5.61	2.38	6.03	2.43	6.31	2.47
	46.0	4.51	2.07	4.73	2.07	4.95	2.07	5.05	2.07	5.37	2.07	5.57	2.07

3D052360-3A-A

SYMBOLS

TC : Total cooling capacity (kW)
PI : Power input (kW)

NOTES

Capacities are based on following conditions
Corresponding refrigerant piping length: 7.5 m
Level difference: 0 m
The above is the value for connecting with the following indoor units.
2.0, 2.5, 3.5kW class; wall mounted C series

5 Capacity tables

5 - 2 Cooling capacity tables

3MKS50E													
Cooling [50Hz 230V]													
Combination (Capacity)	Outdoor air temp. °CDB	Indoor air temp.: °CWB											
		14°C		16°C		18°C		19°C		22°C		24°C	
		TC kW	PI kW	TC kW	PI kW	TC kW	PI kW	TC kW	PI kW	TC kW	PI kW	TC kW	PI kW
2.5+2.5	22.0	4.94	1.20	6.06	1.58	6.65	1.90	6.79	1.92	7.21	1.98	7.49	2.01
	25.0	4.94	1.30	6.06	1.85	6.48	1.97	6.62	1.99	7.04	2.04	7.32	2.08
	32.0	4.94	1.57	5.81	2.10	6.09	2.14	6.23	2.15	6.65	2.21	6.93	2.24
	35.0	4.94	1.72	5.64	2.18	5.92	2.21	6.06	2.23	6.48	2.29	6.76	2.32
	40.0	4.94	2.16	5.36	2.32	5.64	2.35	5.78	2.37	6.20	2.42	6.48	2.46
	43.0	4.91	2.37	5.19	2.40	5.47	2.44	5.61	2.46	6.03	2.51	6.31	2.55
	46.0	4.47	2.07	4.69	2.07	4.90	2.07	5.01	2.07	5.32	2.07	5.52	2.07
2.5+3.5	22.0	4.94	1.20	6.06	1.58	6.65	1.90	6.79	1.92	7.21	1.98	7.49	2.01
	25.0	4.94	1.30	6.06	1.85	6.48	1.97	6.62	1.99	7.04	2.04	7.32	2.08
	32.0	4.94	1.57	5.81	2.10	6.09	2.14	6.23	2.15	6.65	2.21	6.93	2.24
	35.0	4.94	1.72	5.64	2.18	5.92	2.21	6.06	2.23	6.48	2.29	6.76	2.32
	40.0	4.94	2.16	5.36	2.32	5.64	2.35	5.78	2.37	6.20	2.42	6.48	2.46
	43.0	4.91	2.37	5.19	2.40	5.47	2.44	5.61	2.46	6.03	2.51	6.31	2.55
	46.0	4.47	2.07	4.69	2.07	4.90	2.07	5.01	2.07	5.32	2.07	5.52	2.07
3.5+3.5	22.0	4.94	1.20	6.06	1.58	6.65	1.90	6.79	1.92	7.21	1.98	7.49	2.01
	25.0	4.94	1.30	6.06	1.85	6.48	1.97	6.62	1.99	7.04	2.04	7.32	2.08
	32.0	4.94	1.57	5.81	2.10	6.09	2.14	6.23	2.15	6.65	2.21	6.93	2.24
	35.0	4.94	1.72	5.64	2.18	5.92	2.21	6.06	2.23	6.48	2.29	6.76	2.32
	40.0	4.94	2.16	5.36	2.32	5.64	2.35	5.78	2.37	6.20	2.42	6.48	2.46
	43.0	4.91	2.37	5.19	2.40	5.47	2.44	5.61	2.46	6.03	2.51	6.31	2.55
	46.0	4.47	2.07	4.69	2.07	4.90	2.07	5.01	2.07	5.32	2.07	5.52	2.07
2.0+2.0+2.0	22.0	6.97	1.86	7.29	1.89	7.61	1.93	7.77	1.95	8.25	2.00	8.57	2.04
	25.0	6.78	1.92	7.10	1.96	7.42	2.00	7.58	2.01	8.05	2.07	8.37	2.10
	32.0	6.33	2.09	6.64	2.13	6.96	2.17	7.12	2.18	7.60	2.24	7.92	2.27
	35.0	6.13	2.17	6.45	2.21	6.77	2.24	6.93	2.26	7.41	2.32	7.73	2.35
	40.0	5.81	2.31	6.13	2.35	6.45	2.38	6.61	2.40	7.09	2.46	7.41	2.49
	43.0	5.62	2.40	5.93	2.43	6.25	2.47	6.41	2.49	6.89	2.54	7.21	2.58
	46.0	5.02	2.07	5.27	2.07	5.50	2.07	5.62	2.07	5.96	2.07	6.18	2.07
2.0+2.0+2.5	22.0	6.97	1.86	7.29	1.89	7.61	1.93	7.77	1.95	8.25	2.00	8.57	2.04
	25.0	6.78	1.92	7.10	1.96	7.42	2.00	7.58	2.01	8.05	2.07	8.37	2.10
	32.0	6.33	2.09	6.64	2.13	6.96	2.17	7.12	2.18	7.60	2.24	7.92	2.27
	35.0	6.13	2.17	6.45	2.21	6.77	2.24	6.93	2.26	7.41	2.32	7.73	2.35
	40.0	5.81	2.31	6.13	2.35	6.45	2.38	6.61	2.40	7.09	2.46	7.41	2.49
	43.0	5.62	2.40	5.93	2.43	6.25	2.47	6.41	2.49	6.89	2.54	7.21	2.58
	46.0	5.02	2.07	5.27	2.07	5.50	2.07	5.62	2.07	5.96	2.07	6.18	2.07
2.0+2.0+3.5	22.0	6.97	1.86	7.29	1.89	7.61	1.93	7.77	1.95	8.25	2.00	8.57	2.04
	25.0	6.78	1.92	7.10	1.96	7.42	2.00	7.58	2.01	8.05	2.07	8.37	2.10
	32.0	6.33	2.09	6.64	2.13	6.96	2.17	7.12	2.18	7.60	2.24	7.92	2.27
	35.0	6.13	2.17	6.45	2.21	6.77	2.24	6.93	2.26	7.41	2.32	7.73	2.35
	40.0	5.81	2.31	6.13	2.35	6.45	2.38	6.61	2.40	7.09	2.46	7.41	2.49
	43.0	5.62	2.40	5.93	2.43	6.25	2.47	6.41	2.49	6.89	2.54	7.21	2.58
	46.0	5.02	2.07	5.27	2.07	5.50	2.07	5.62	2.07	5.96	2.07	6.18	2.07

3D052360-3A-B

SYMBOLS

TC : Total cooling capacity (kW)
PI : Power input (kW)

NOTES

Capacities are based on following conditions
Corresponding refrigerant piping length: 7.5 m
Level difference: 0 m
The above is the value for connecting with the following indoor units.
2.0, 2.5, 3.5kW class; wall mounted C series

5 Capacity tables

5 - 2 Cooling capacity tables

5

3MKS50E

Cooling [50Hz 230V]

Combination (Capacity)	Outdoor air temp. °CDB	Indoor air temp.: °CWB											
		14°C		16°C		18°C		19°C		22°C		24°C	
		TC kW	PI kW	TC kW	PI kW	TC kW	PI kW	TC kW	PI kW	TC kW	PI kW	TC kW	PI kW
2.0+2.5+2.5	22.0	6.97	1.86	7.29	1.89	7.61	1.93	7.77	1.95	8.25	2.00	8.57	2.04
	25.0	6.78	1.92	7.10	1.96	7.42	2.00	7.58	2.01	8.05	2.07	8.37	2.10
	32.0	6.33	2.09	6.64	2.13	6.96	2.17	7.12	2.18	7.60	2.24	7.92	2.27
	35.0	6.13	2.17	6.45	2.21	6.77	2.24	6.93	2.26	7.41	2.32	7.73	2.35
	40.0	5.81	2.31	6.13	2.35	6.45	2.38	6.61	2.40	7.09	2.46	7.41	2.49
	43.0	5.62	2.40	5.93	2.43	6.25	2.47	6.41	2.49	6.89	2.54	7.21	2.58
	46.0	5.02	2.07	5.27	2.07	5.50	2.07	5.62	2.07	5.96	2.07	6.18	2.07
2.0+2.5+3.5	22.0	6.97	1.86	7.29	1.89	7.61	1.93	7.77	1.95	8.25	2.00	8.57	2.04
	25.0	6.78	1.92	7.10	1.96	7.42	2.00	7.58	2.01	8.05	2.07	8.37	2.10
	32.0	6.33	2.09	6.64	2.13	6.96	2.17	7.12	2.18	7.60	2.24	7.92	2.27
	35.0	6.13	2.17	6.45	2.21	6.77	2.24	6.93	2.26	7.41	2.32	7.73	2.35
	40.0	5.81	2.31	6.13	2.35	6.45	2.38	6.61	2.40	7.09	2.46	7.41	2.49
	43.0	5.62	2.40	5.93	2.43	6.25	2.47	6.41	2.49	6.89	2.54	7.21	2.58
	46.0	5.02	2.07	5.27	2.07	5.50	2.07	5.62	2.07	5.96	2.07	6.18	2.07
2.0+3.5+3.5	22.0	6.97	1.86	7.29	1.89	7.61	1.93	7.77	1.95	8.25	2.00	8.57	2.04
	25.0	6.78	1.92	7.10	1.96	7.42	2.00	7.58	2.01	8.05	2.07	8.37	2.10
	32.0	6.33	2.09	6.64	2.13	6.96	2.17	7.12	2.18	7.60	2.24	7.92	2.27
	35.0	6.13	2.17	6.45	2.21	6.77	2.24	6.93	2.26	7.41	2.32	7.73	2.35
	40.0	5.81	2.31	6.13	2.35	6.45	2.38	6.61	2.40	7.09	2.46	7.41	2.49
	43.0	5.62	2.40	5.93	2.43	6.25	2.47	6.41	2.49	6.89	2.54	7.21	2.58
	46.0	5.02	2.07	5.27	2.07	5.50	2.07	5.62	2.07	5.96	2.07	6.18	2.07
2.5+2.5+2.5	22.0	6.97	1.86	7.29	1.89	7.61	1.93	7.77	1.95	8.25	2.00	8.57	2.04
	25.0	6.78	1.92	7.10	1.96	7.42	2.00	7.58	2.01	8.05	2.07	8.37	2.10
	32.0	6.33	2.09	6.64	2.13	6.96	2.17	7.12	2.18	7.60	2.24	7.92	2.27
	35.0	6.13	2.17	6.45	2.21	6.77	2.24	6.93	2.26	7.41	2.32	7.73	2.35
	40.0	5.81	2.31	6.13	2.35	6.45	2.38	6.61	2.40	7.09	2.46	7.41	2.49
	43.0	5.62	2.40	5.93	2.43	6.25	2.47	6.41	2.49	6.89	2.54	7.21	2.58
	46.0	5.02	2.07	5.27	2.07	5.50	2.07	5.62	2.07	5.96	2.07	6.18	2.07
2.5+2.5+3.5	22.0	6.97	1.86	7.29	1.89	7.61	1.93	7.77	1.95	8.25	2.00	8.57	2.04
	25.0	6.78	1.92	7.10	1.96	7.42	2.00	7.58	2.01	8.05	2.07	8.37	2.10
	32.0	6.33	2.09	6.64	2.13	6.96	2.17	7.12	2.18	7.60	2.24	7.92	2.27
	35.0	6.13	2.17	6.45	2.21	6.77	2.24	6.93	2.26	7.41	2.32	7.73	2.35
	40.0	5.81	2.31	6.13	2.35	6.45	2.38	6.61	2.40	7.09	2.46	7.41	2.49
	43.0	5.62	2.40	5.93	2.43	6.25	2.47	6.41	2.49	6.89	2.54	7.21	2.58
	46.0	5.02	2.07	5.27	2.07	5.50	2.07	5.62	2.07	5.96	2.07	6.18	2.07
2.5+3.5+3.5	22.0	6.97	1.86	7.29	1.89	7.61	1.93	7.77	1.95	8.25	2.00	8.57	2.04
	25.0	6.78	1.92	7.10	1.96	7.42	2.00	7.58	2.01	8.05	2.07	8.37	2.10
	32.0	6.33	2.09	6.64	2.13	6.96	2.17	7.12	2.18	7.60	2.24	7.92	2.27
	35.0	6.13	2.17	6.45	2.21	6.77	2.24	6.93	2.26	7.41	2.32	7.73	2.35
	40.0	5.81	2.31	6.13	2.35	6.45	2.38	6.61	2.40	7.09	2.46	7.41	2.49
	43.0	5.62	2.40	5.93	2.43	6.25	2.47	6.41	2.49	6.89	2.54	7.21	2.58
	46.0	5.02	2.07	5.27	2.07	5.50	2.07	5.62	2.07	5.96	2.07	6.18	2.07

3D052360-4A

SYMBOLS

TC : Total cooling capacity (kW)
PI : Power input (kW)

NOTES

Capacities are based on following conditions
Corresponding refrigerant piping length: 7.5 m
Level difference: 0 m
The above is the value for connecting with the following indoor units.
2.0, 2.5, 3.5kW class; wall mounted C series

5 Capacity tables

5 - 2 Cooling capacity tables

4MKS58E													
Cooling [50Hz 230V]													
Combination (Capacity)	Outdoor air temp. °CDB	Indoor air temp.: °CWB											
		14°C		16°C		18°C		19°C		22°C		24°C	
		TC kW	PI kW	TC kW	PI kW	TC kW	PI kW	TC kW	PI kW	TC kW	PI kW	TC kW	PI kW
2.0	22.0	2.63	0.54	3.04	0.62	3.17	0.63	3.24	0.64	3.44	0.66	3.57	0.67
	25.0	2.63	0.58	2.96	0.64	3.09	0.65	3.16	0.66	3.36	0.68	3.49	0.69
	32.0	2.63	0.68	2.77	0.70	2.90	0.71	2.97	0.72	3.17	0.73	3.30	0.74
	35.0	2.56	0.71	2.69	0.72	2.82	0.73	2.89	0.74	3.09	0.76	3.22	0.77
	40.0	2.42	0.76	2.56	0.77	2.69	0.78	2.76	0.79	2.96	0.80	3.09	0.82
	43.0	2.34	0.79	2.47	0.80	2.61	0.81	2.67	0.82	2.87	0.83	3.01	0.84
	46.0	2.26	0.82	2.39	0.83	2.53	0.84	2.59	0.85	2.79	0.86	2.93	0.87
2.5	22.0	2.63	0.54	3.23	0.62	3.43	0.64	3.50	0.65	3.71	0.66	3.86	0.68
	25.0	2.63	0.58	3.19	0.65	3.34	0.66	3.41	0.67	3.63	0.69	3.77	0.70
	32.0	2.63	0.68	2.99	0.71	3.14	0.72	3.21	0.72	3.42	0.74	3.57	0.75
	35.0	2.63	0.68	2.90	0.73	3.05	0.74	3.12	0.75	3.34	0.77	3.48	0.78
	40.0	2.62	0.77	2.76	0.78	2.90	0.79	2.97	0.80	3.19	0.81	3.33	0.83
	43.0	2.53	0.80	2.67	0.81	2.82	0.82	2.89	0.83	3.10	0.84	3.25	0.86
	46.0	2.44	0.83	2.58	0.84	2.73	0.85	2.80	0.86	3.02	0.87	3.16	0.89
3.5	22.0	3.00	0.66	3.68	0.83	4.42	1.03	4.73	1.11	5.02	1.14	5.22	1.16
	25.0	3.00	0.71	3.68	0.89	4.42	1.10	4.61	1.15	4.90	1.18	5.10	1.20
	32.0	3.00	0.84	3.68	1.06	4.24	1.24	4.34	1.25	4.63	1.28	4.82	1.30
	35.0	3.00	0.90	3.68	1.14	4.12	1.28	4.22	1.29	4.51	1.32	4.71	1.34
	40.0	3.00	1.03	3.68	1.31	3.93	1.36	4.02	1.37	4.32	1.40	4.51	1.42
	43.0	3.00	1.12	3.61	1.39	3.81	1.41	3.91	1.42	4.20	1.45	4.39	1.47
	46.0	3.00	1.22	3.50	1.44	3.69	1.46	3.79	1.47	4.08	1.50	4.27	1.52
5.0	22.0	3.68	0.92	4.52	1.18	5.43	1.49	5.90	1.68	6.43	1.80	6.68	1.83
	25.0	3.68	0.98	4.52	1.27	5.43	1.61	5.90	1.81	6.28	1.86	6.52	1.89
	32.0	3.68	1.17	4.52	1.51	5.43	1.95	5.55	1.96	5.92	2.01	6.17	2.04
	35.0	3.68	1.26	4.52	1.64	5.28	2.02	5.40	2.03	5.77	2.08	6.02	2.11
	40.0	3.68	1.45	4.52	1.91	5.02	2.14	5.15	2.16	5.52	2.21	5.77	2.24
	43.0	3.68	1.58	4.52	2.10	4.87	2.22	5.00	2.24	5.37	2.28	5.62	2.32
	46.0	3.68	1.74	4.33	2.07	4.53	2.07	4.63	2.07	4.93	2.07	5.12	2.07
2.0+2.0	22.0	5.26	1.27	6.27	1.60	6.54	1.63	6.68	1.65	7.09	1.69	7.37	1.72
	25.0	5.26	1.37	6.10	1.66	6.38	1.69	6.52	1.70	6.93	1.75	7.20	1.78
	32.0	5.26	1.67	5.71	1.80	5.99	1.83	6.13	1.85	6.54	1.89	6.81	1.92
	35.0	5.26	1.83	5.55	1.87	5.82	1.90	5.96	1.91	6.37	1.96	6.65	1.99
	40.0	5.00	1.95	5.27	1.98	5.55	2.01	5.68	2.03	6.09	2.08	6.37	2.11
	43.0	4.83	2.03	5.10	2.06	5.38	2.09	5.52	2.10	5.93	2.15	6.20	2.18
	46.0	4.63	2.07	4.86	2.07	5.10	2.07	5.21	2.07	5.55	2.07	5.76	2.07
2.0+2.5	22.0	5.26	1.27	6.46	1.75	6.84	1.83	6.98	1.84	7.41	1.90	7.70	1.93
	25.0	5.26	1.37	6.38	1.86	6.67	1.89	6.81	1.91	7.24	1.96	7.53	1.99
	32.0	5.26	1.67	5.97	2.02	6.26	2.05	6.40	2.07	6.83	2.12	7.12	2.15
	35.0	5.26	1.83	5.80	2.09	6.09	2.13	6.23	2.14	6.66	2.19	6.95	2.23
	40.0	5.22	2.19	5.51	2.22	5.80	2.26	5.94	2.27	6.37	2.33	6.66	2.36
	43.0	5.05	2.27	5.34	2.31	5.62	2.34	5.77	2.36	6.20	2.41	6.48	2.44
	46.0	4.63	2.07	4.86	2.07	5.09	2.07	5.20	2.07	5.52	2.07	5.73	2.07

3D052359-1A-A

SYMBOLS

TC : Total cooling capacity (kW)
PI : Power input (kW)

NOTES

Capacities are based on following conditions
Corresponding refrigerant piping length: 7.5 m
Level difference: 0 m
The above is the value for connecting with the following indoor units.
2.0, 2.5, 3.5, 5.0kW class; wall mounted D series

5 Capacity tables

5 - 2 Cooling capacity tables

5

4MK58E

Cooling [50Hz 230V]

Combination (Capacity)	Outdoor air temp. °CDB	Indoor air temp.: °CWB											
		14°C		16°C		18°C		19°C		22°C		24°C	
		TC kW	PI kW	TC kW	PI kW	TC kW	PI kW	TC kW	PI kW	TC kW	PI kW	TC kW	PI kW
2.0+3.5	22.0	5.63	1.46	6.56	1.79	6.85	1.83	7.00	1.84	7.43	1.90	7.71	1.93
	25.0	5.63	1.58	6.39	1.86	6.68	1.89	6.82	1.91	7.25	1.96	7.54	1.99
	32.0	5.63	1.94	5.98	2.02	6.27	2.05	6.41	2.07	6.85	2.12	7.13	2.15
	35.0	5.52	2.06	5.81	2.09	6.10	2.13	6.24	2.14	6.67	2.19	6.96	2.23
	40.0	5.23	2.19	5.52	2.22	5.81	2.26	5.95	2.27	6.38	2.33	6.67	2.36
	43.0	5.06	2.27	5.34	2.31	5.63	2.34	5.78	2.36	6.21	2.41	6.49	2.44
	46.0	4.64	2.07	4.87	2.07	5.09	2.07	5.20	2.07	5.53	2.07	5.74	2.07
2.0+5.0	22.0	6.31	1.61	6.81	1.73	7.10	1.77	7.25	1.78	7.70	1.83	8.00	1.87
	25.0	6.31	1.76	6.63	1.80	6.92	1.83	7.07	1.85	7.52	1.89	7.82	1.93
	32.0	5.91	1.92	6.20	1.95	6.50	1.98	6.65	2.00	7.10	2.05	7.40	2.08
	35.0	5.72	1.99	6.02	2.02	6.32	2.06	6.47	2.07	6.92	2.12	7.22	2.15
	40.0	5.42	2.12	5.72	2.15	6.02	2.18	6.17	2.20	6.62	2.25	6.91	2.28
	43.0	5.24	2.20	5.54	2.23	5.84	2.26	5.99	2.28	6.44	2.33	6.73	2.36
	46.0	4.85	2.07	5.09	2.07	5.33	2.07	5.45	2.07	5.79	2.07	6.01	2.07
2.5+2.5	22.0	5.26	1.32	6.46	1.75	6.84	1.83	6.98	1.84	7.41	1.90	7.70	1.93
	25.0	5.26	1.42	6.38	1.86	6.67	1.89	6.81	1.91	7.24	1.96	7.53	1.99
	32.0	5.26	1.72	5.97	2.02	6.26	2.05	6.40	2.07	6.83	2.12	7.12	2.15
	35.0	5.26	1.89	5.80	2.09	6.09	2.13	6.23	2.14	6.66	2.19	6.95	2.23
	40.0	5.22	2.19	5.51	2.22	5.80	2.26	5.94	2.27	6.37	2.33	6.66	2.36
	43.0	5.05	2.27	5.34	2.31	5.62	2.34	5.77	2.36	6.20	2.41	6.48	2.44
	46.0	4.63	2.07	4.86	2.07	5.09	2.07	5.20	2.07	5.52	2.07	5.73	2.07
2.5+3.5	22.0	5.63	1.43	6.68	1.81	6.97	1.84	7.12	1.86	7.56	1.91	7.85	1.95
	25.0	5.63	1.55	6.50	1.87	6.80	1.91	6.94	1.93	7.38	1.98	7.67	2.01
	32.0	5.63	1.90	6.09	2.04	6.38	2.07	6.53	2.09	6.97	2.14	7.26	2.17
	35.0	5.62	2.08	5.91	2.11	6.20	2.15	6.35	2.16	6.79	2.21	7.08	2.25
	40.0	5.32	2.21	5.62	2.24	5.91	2.28	6.05	2.29	6.49	2.35	6.79	2.38
	43.0	5.15	2.29	5.44	2.33	5.73	2.36	5.88	2.38	6.32	2.43	6.61	2.47
	46.0	4.70	2.07	4.93	2.07	5.16	2.07	5.27	2.07	5.60	2.07	5.81	2.07
2.5+5.0	22.0	6.31	1.61	6.81	1.73	7.10	1.77	7.25	1.78	7.70	1.83	8.00	1.87
	25.0	6.31	1.76	6.63	1.80	6.92	1.83	7.07	1.85	7.52	1.89	7.82	1.93
	32.0	5.91	1.92	6.20	1.95	6.50	1.98	6.65	2.00	7.10	2.05	7.40	2.08
	35.0	5.72	1.99	6.02	2.02	6.32	2.06	6.47	2.07	6.92	2.12	7.22	2.15
	40.0	5.42	2.12	5.72	2.15	6.02	2.18	6.17	2.20	6.62	2.25	6.91	2.28
	43.0	5.24	2.20	5.54	2.23	5.84	2.26	5.99	2.28	6.44	2.33	6.73	2.36
	46.0	4.85	2.07	5.09	2.07	5.33	2.07	5.45	2.07	5.79	2.07	6.01	2.07
3.5+3.5	22.0	6.00	1.57	6.73	1.81	7.03	1.84	7.17	1.86	7.62	1.91	7.91	1.95
	25.0	6.00	1.71	6.55	1.87	6.85	1.91	7.00	1.93	7.44	1.98	7.73	2.01
	32.0	5.84	2.00	6.14	2.04	6.43	2.07	6.58	2.09	7.02	2.14	7.32	2.17
	35.0	5.66	2.08	5.96	2.11	6.25	2.15	6.40	2.16	6.84	2.21	7.14	2.25
	40.0	5.36	2.21	5.66	2.24	5.95	2.28	6.10	2.29	6.54	2.35	6.84	2.38
	43.0	5.19	2.29	5.48	2.33	5.78	2.36	5.92	2.38	6.37	2.43	6.66	2.47
	46.0	4.74	2.07	4.97	2.07	5.20	2.07	5.31	2.07	5.64	2.07	5.85	2.07

3D052359-1A-B

SYMBOLS

TC : Total cooling capacity (kW)
PI : Power input (kW)

NOTES

Capacities are based on following conditions
Corresponding refrigerant piping length: 7.5 m
Level difference: 0 m
The above is the value for connecting with the following indoor units.
2.0, 2.5, 3.5, 5.0kW class; wall mounted D series

5 Capacity tables

5 - 2 Cooling capacity tables

4MKS58E													
Cooling [50Hz 230V]													
Combination (Capacity)	Outdoor air temp. °CDB	Indoor air temp.: °CWB											
		14°C		16°C		18°C		19°C		22°C		24°C	
		TC kW	PI kW	TC kW	PI kW	TC kW	PI kW	TC kW	PI kW	TC kW	PI kW	TC kW	PI kW
3.5+5.0	22.0	6.53	1.72	6.83	1.75	7.13	1.78	7.28	1.80	7.72	1.85	8.02	1.88
	25.0	6.35	1.78	6.65	1.81	6.94	1.85	7.09	1.86	7.54	1.91	7.84	1.95
	32.0	5.92	1.94	6.22	1.97	6.52	2.00	6.67	2.02	7.12	2.07	7.42	2.10
	35.0	5.74	2.01	6.04	2.04	6.34	2.08	6.49	2.09	6.94	2.14	7.24	2.18
	40.0	5.44	2.14	5.74	2.17	6.04	2.20	6.19	2.22	6.64	2.27	6.94	2.30
	43.0	5.26	2.22	5.56	2.25	5.86	2.29	6.01	2.30	6.45	2.35	6.75	2.39
	46.0	4.85	2.07	5.09	2.07	5.33	2.07	5.44	2.07	5.78	2.07	6.00	2.07
5.0+5.0	22.0	6.68	1.73	6.98	1.77	7.29	1.80	7.44	1.82	7.90	1.87	8.21	1.90
	25.0	6.49	1.80	6.80	1.83	7.11	1.86	7.26	1.88	7.72	1.93	8.02	1.97
	32.0	6.06	1.95	6.37	1.99	6.67	2.02	6.83	2.04	7.28	2.09	7.59	2.12
	35.0	5.88	2.03	6.18	2.06	6.49	2.10	6.64	2.11	7.10	2.16	7.40	2.20
	40.0	5.57	2.16	5.87	2.19	6.18	2.22	6.33	2.24	6.79	2.29	7.10	2.33
	43.0	5.38	2.24	5.69	2.27	5.99	2.31	6.15	2.32	6.60	2.37	6.91	2.41
	46.0	4.94	2.07	5.18	2.07	5.42	2.07	5.54	2.07	5.88	2.07	6.10	2.07
2.0+2.0+2.0	22.0	7.08	1.78	7.41	1.81	7.73	1.84	7.89	1.86	8.38	1.91	8.70	1.95
	25.0	6.88	1.84	7.21	1.87	7.53	1.91	7.70	1.93	8.18	1.98	8.51	2.01
	32.0	6.43	2.00	6.75	2.04	7.07	2.07	7.24	2.09	7.72	2.14	8.05	2.17
	35.0	6.23	2.08	6.55	2.11	6.88	2.15	7.04	2.16	7.53	2.21	7.85	2.25
	40.0	5.90	2.21	6.23	2.24	6.55	2.28	6.71	2.29	7.20	2.35	7.52	2.38
	43.0	5.70	2.29	6.03	2.33	6.35	2.36	6.52	2.38	7.00	2.43	7.33	2.47
	46.0	5.17	2.07	5.42	2.07	5.67	2.07	5.79	2.07	6.14	2.07	6.37	2.07
2.0+2.0+2.5	22.0	7.08	1.78	7.41	1.81	7.73	1.84	7.89	1.86	8.38	1.91	8.70	1.95
	25.0	6.88	1.84	7.21	1.87	7.53	1.91	7.70	1.93	8.18	1.98	8.51	2.01
	32.0	6.43	2.00	6.75	2.04	7.07	2.07	7.24	2.09	7.72	2.14	8.05	2.17
	35.0	6.23	2.08	6.55	2.11	6.88	2.15	7.04	2.16	7.53	2.21	7.85	2.25
	40.0	5.90	2.21	6.23	2.24	6.55	2.28	6.71	2.29	7.20	2.35	7.52	2.38
	43.0	5.70	2.29	6.03	2.33	6.35	2.36	6.52	2.38	7.00	2.43	7.33	2.47
	46.0	5.17	2.07	5.42	2.07	5.67	2.07	5.79	2.07	6.14	2.07	6.37	2.07
2.0+2.0+3.5	22.0	7.10	1.78	7.43	1.81	7.75	1.84	7.91	1.86	8.40	1.91	8.73	1.95
	25.0	6.90	1.84	7.23	1.87	7.55	1.91	7.72	1.93	8.21	1.98	8.53	2.01
	32.0	6.44	2.00	6.77	2.04	7.09	2.07	7.26	2.09	7.75	2.14	8.07	2.17
	35.0	6.25	2.08	6.57	2.11	6.90	2.15	7.06	2.16	7.55	2.21	7.87	2.25
	40.0	5.92	2.21	6.24	2.24	6.57	2.28	6.73	2.29	7.22	2.35	7.54	2.38
	43.0	5.72	2.29	6.05	2.33	6.37	2.36	6.53	2.38	7.02	2.43	7.35	2.47
	46.0	5.18	2.07	5.44	2.07	5.68	2.07	5.81	2.07	6.16	2.07	6.39	2.07
2.0+2.0+5.0	22.0	7.34	1.86	7.68	1.89	8.02	1.93	8.18	1.95	8.69	2.00	9.02	2.04
	25.0	7.14	1.92	7.48	1.96	7.81	2.00	7.98	2.01	8.48	2.07	8.82	2.10
	32.0	6.66	2.09	7.00	2.13	7.34	2.17	7.50	2.18	8.01	2.24	8.34	2.27
	35.0	6.46	2.17	6.80	2.21	7.13	2.24	7.30	2.26	7.80	2.32	8.14	2.35
	40.0	6.12	2.31	6.46	2.35	6.79	2.38	6.96	2.40	7.46	2.46	7.80	2.49
	43.0	5.92	2.40	6.25	2.43	6.59	2.47	6.76	2.49	7.26	2.54	7.60	2.58
	46.0	5.27	2.07	5.52	2.07	5.76	2.07	5.88	2.07	6.24	2.07	6.47	2.07

3D052359-2A-A

SYMBOLS

TC : Total cooling capacity (kW)
PI : Power input (kW)

NOTES

Capacities are based on following conditions
Corresponding refrigerant piping length: 7.5 m
Level difference: 0 m
The above is the value for connecting with the following indoor units.
2.0, 2.5, 3.5, 5.0kW class; wall mounted D series

5 Capacity tables

5 - 2 Cooling capacity tables

5

4MK558E

Cooling [50Hz 230V]

Combination (Capacity)	Outdoor air temp. °CDB	Indoor air temp.: °CWB											
		14°C		16°C		18°C		19°C		22°C		24°C	
		TC kW	PI kW	TC kW	PI kW	TC kW	PI kW	TC kW	PI kW	TC kW	PI kW	TC kW	PI kW
2.0+2.5+2.5	22.0	7.08	1.78	7.41	1.81	7.73	1.84	7.89	1.86	8.38	1.91	8.70	1.95
	25.0	6.88	1.84	7.21	1.87	7.53	1.91	7.70	1.93	8.18	1.98	8.51	2.01
	32.0	6.43	2.00	6.75	2.04	7.07	2.07	7.24	2.09	7.72	2.14	8.05	2.17
	35.0	6.23	2.08	6.55	2.11	6.88	2.15	7.04	2.16	7.53	2.21	7.85	2.25
	40.0	5.90	2.21	6.23	2.24	6.55	2.28	6.71	2.29	7.20	2.35	7.52	2.38
	43.0	5.70	2.29	6.03	2.33	6.35	2.36	6.52	2.38	7.00	2.43	7.33	2.47
	46.0	5.17	2.07	5.42	2.07	5.67	2.07	5.79	2.07	6.14	2.07	6.37	2.07
2.0+2.5+3.5	22.0	7.10	1.78	7.43	1.81	7.75	1.84	7.91	1.86	8.40	1.91	8.73	1.95
	25.0	6.90	1.84	7.23	1.87	7.55	1.91	7.72	1.93	8.21	1.98	8.53	2.01
	32.0	6.44	2.00	6.77	2.04	7.09	2.07	7.26	2.09	7.75	2.14	8.07	2.17
	35.0	6.25	2.08	6.57	2.11	6.90	2.15	7.06	2.16	7.55	2.21	7.87	2.25
	40.0	5.92	2.21	6.24	2.24	6.57	2.28	6.73	2.29	7.22	2.35	7.54	2.38
	43.0	5.72	2.29	6.05	2.33	6.37	2.36	6.53	2.38	7.02	2.43	7.35	2.47
	46.0	5.18	2.07	5.44	2.07	5.68	2.07	5.81	2.07	6.16	2.07	6.39	2.07
2.0+2.5+5.0	22.0	7.34	1.86	7.68	1.89	8.02	1.93	8.18	1.95	8.69	2.00	9.02	2.04
	25.0	7.14	1.92	7.48	1.96	7.81	2.00	7.98	2.01	8.48	2.07	8.82	2.10
	32.0	6.66	2.09	7.00	2.13	7.34	2.17	7.50	2.18	8.01	2.24	8.34	2.27
	35.0	6.46	2.17	6.80	2.21	7.13	2.24	7.30	2.26	7.80	2.32	8.14	2.35
	40.0	6.12	2.31	6.46	2.35	6.79	2.38	6.96	2.40	7.46	2.46	7.80	2.49
	43.0	5.92	2.40	6.25	2.43	6.59	2.47	6.76	2.49	7.26	2.54	7.60	2.58
	46.0	5.27	2.07	5.52	2.07	5.76	2.07	5.88	2.07	6.24	2.07	6.47	2.07
2.0+3.5+3.5	22.0	7.11	1.78	7.44	1.81	7.76	1.84	7.93	1.86	8.41	1.91	8.74	1.95
	25.0	6.91	1.84	7.24	1.87	7.57	1.91	7.73	1.93	8.22	1.98	8.54	2.01
	32.0	6.45	2.00	6.78	2.04	7.10	2.07	7.27	2.09	7.76	2.14	8.08	2.17
	35.0	6.26	2.08	6.58	2.11	6.91	2.15	7.07	2.16	7.56	2.21	7.88	2.25
	40.0	5.93	2.21	6.25	2.24	6.58	2.28	6.74	2.29	7.23	2.35	7.56	2.38
	43.0	5.73	2.29	6.05	2.33	6.38	2.36	6.54	2.38	7.03	2.43	7.36	2.47
	46.0	5.19	2.07	5.44	2.07	5.69	2.07	5.81	2.07	6.17	2.07	6.40	2.07
2.5+2.5+2.5	22.0	7.08	1.78	7.41	1.81	7.73	1.84	7.89	1.86	8.38	1.91	8.70	1.95
	25.0	6.88	1.84	7.21	1.87	7.53	1.91	7.70	1.93	8.18	1.98	8.51	2.01
	32.0	6.43	2.00	6.75	2.04	7.07	2.07	7.24	2.09	7.72	2.14	8.05	2.17
	35.0	6.23	2.08	6.55	2.11	6.88	2.15	7.04	2.16	7.53	2.21	7.85	2.25
	40.0	5.90	2.21	6.23	2.24	6.55	2.28	6.71	2.29	7.20	2.35	7.52	2.38
	43.0	5.70	2.29	6.03	2.33	6.35	2.36	6.52	2.38	7.00	2.43	7.33	2.47
	46.0	5.17	2.07	5.42	2.07	5.67	2.07	5.79	2.07	6.14	2.07	6.37	2.07
2.5+2.5+3.5	22.0	7.10	1.78	7.43	1.81	7.75	1.84	7.91	1.86	8.40	1.91	8.73	1.95
	25.0	6.90	1.84	7.23	1.87	7.55	1.91	7.72	1.93	8.21	1.98	8.53	2.01
	32.0	6.44	2.00	6.77	2.04	7.09	2.07	7.26	2.09	7.75	2.14	8.07	2.17
	35.0	6.25	2.08	6.57	2.11	6.90	2.15	7.06	2.16	7.55	2.21	7.87	2.25
	40.0	5.92	2.21	6.24	2.24	6.57	2.28	6.73	2.29	7.22	2.35	7.54	2.38
	43.0	5.72	2.29	6.05	2.33	6.37	2.36	6.53	2.38	7.02	2.43	7.35	2.47
	46.0	5.18	2.07	5.44	2.07	5.68	2.07	5.81	2.07	6.16	2.07	6.39	2.07

3D052359-2A-B

SYMBOLS

TC : Total cooling capacity (kW)
 PI : Power input (kW)

NOTES

Capacities are based on following conditions
 Corresponding refrigerant piping length: 7.5 m
 Level difference: 0 m
 The above is the value for connecting with the following indoor units.
 2.0, 2.5, 3.5, 5.0kW class; wall mounted D series

5 Capacity tables

5 - 2 Cooling capacity tables

4MKS58E													
Cooling [50Hz 230V]													
Combination (Capacity)	Outdoor air temp. °CDB	Indoor air temp.: °CWB											
		14°C		16°C		18°C		19°C		22°C		24°C	
		TC kW	PI kW	TC kW	PI kW	TC kW	PI kW	TC kW	PI kW	TC kW	PI kW	TC kW	PI kW
2.5+2.5+5.0	22.0	7.34	1.86	7.68	1.89	8.02	1.93	8.18	1.95	8.69	2.00	9.02	2.04
	25.0	7.14	1.92	7.48	1.96	7.81	2.00	7.98	2.01	8.48	2.07	8.82	2.10
	32.0	6.66	2.09	7.00	2.13	7.34	2.17	7.50	2.18	8.01	2.24	8.34	2.27
	35.0	6.46	2.17	6.80	2.21	7.13	2.24	7.30	2.26	7.80	2.32	8.14	2.35
	40.0	6.12	2.31	6.46	2.35	6.79	2.38	6.96	2.40	7.46	2.46	7.80	2.49
	43.0	5.92	2.40	6.25	2.43	6.59	2.47	6.76	2.49	7.26	2.54	7.60	2.58
	46.0	5.27	2.07	5.52	2.07	5.76	2.07	5.88	2.07	6.24	2.07	6.47	2.07
2.5+3.5+3.5	22.0	7.11	1.78	7.44	1.81	7.76	1.84	7.93	1.86	8.41	1.91	8.74	1.95
	25.0	6.91	1.84	7.24	1.87	7.57	1.91	7.73	1.93	8.22	1.98	8.54	2.01
	32.0	6.45	2.00	6.78	2.04	7.10	2.07	7.27	2.09	7.76	2.14	8.08	2.17
	35.0	6.26	2.08	6.58	2.11	6.91	2.15	7.07	2.16	7.56	2.21	7.88	2.25
	40.0	5.93	2.21	6.25	2.24	6.58	2.28	6.74	2.29	7.23	2.35	7.56	2.38
	43.0	5.73	2.29	6.05	2.33	6.38	2.36	6.54	2.38	7.03	2.43	7.36	2.47
	46.0	5.19	2.07	5.44	2.07	5.69	2.07	5.81	2.07	6.17	2.07	6.40	2.07
2.0+2.0+2.0+2.0	22.0	7.34	1.78	7.68	1.81	8.02	1.84	8.18	1.86	8.69	1.91	9.02	1.95
	25.0	7.14	1.84	7.48	1.87	7.81	1.91	7.98	1.93	8.48	1.98	8.82	2.01
	32.0	6.66	2.00	7.00	2.04	7.34	2.07	7.50	2.09	8.01	2.14	8.34	2.17
	35.0	6.46	2.08	6.80	2.11	7.13	2.15	7.30	2.16	7.80	2.21	8.14	2.25
	40.0	6.12	2.21	6.46	2.24	6.79	2.28	6.96	2.29	7.46	2.35	7.80	2.38
	43.0	5.92	2.29	6.25	2.33	6.59	2.36	6.76	2.38	7.26	2.43	7.60	2.47
	46.0	5.35	2.07	5.61	2.07	5.86	2.07	5.99	2.07	6.35	2.07	6.59	2.07
2.0+2.0+2.0+2.5	22.0	7.34	1.78	7.68	1.81	8.02	1.84	8.18	1.86	8.69	1.91	9.02	1.95
	25.0	7.14	1.84	7.48	1.87	7.81	1.91	7.98	1.93	8.48	1.98	8.82	2.01
	32.0	6.66	2.00	7.00	2.04	7.34	2.07	7.50	2.09	8.01	2.14	8.34	2.17
	35.0	6.46	2.08	6.80	2.11	7.13	2.15	7.30	2.16	7.80	2.21	8.14	2.25
	40.0	6.12	2.21	6.46	2.24	6.79	2.28	6.96	2.29	7.46	2.35	7.80	2.38
	43.0	5.92	2.29	6.25	2.33	6.59	2.36	6.76	2.38	7.26	2.43	7.60	2.47
	46.0	5.35	2.07	5.61	2.07	5.86	2.07	5.99	2.07	6.35	2.07	6.59	2.07
2.0+2.0+2.0+3.5	22.0	7.34	1.78	7.68	1.81	8.02	1.84	8.18	1.86	8.69	1.91	9.02	1.95
	25.0	7.14	1.84	7.48	1.87	7.81	1.91	7.98	1.93	8.48	1.98	8.82	2.01
	32.0	6.66	2.00	7.00	2.04	7.34	2.07	7.50	2.09	8.01	2.14	8.34	2.17
	35.0	6.46	2.08	6.80	2.11	7.13	2.15	7.30	2.16	7.80	2.21	8.14	2.25
	40.0	6.12	2.21	6.46	2.24	6.79	2.28	6.96	2.29	7.46	2.35	7.80	2.38
	43.0	5.92	2.29	6.25	2.33	6.59	2.36	6.76	2.38	7.26	2.43	7.60	2.47
	46.0	5.35	2.07	5.61	2.07	5.86	2.07	5.99	2.07	6.35	2.07	6.59	2.07
2.0+2.0+2.5+2.5	22.0	7.34	1.78	7.68	1.81	8.02	1.84	8.18	1.86	8.69	1.91	9.02	1.95
	25.0	7.14	1.84	7.48	1.87	7.81	1.91	7.98	1.93	8.48	1.98	8.82	2.01
	32.0	6.66	2.00	7.00	2.04	7.34	2.07	7.50	2.09	8.01	2.14	8.34	2.17
	35.0	6.46	2.08	6.80	2.11	7.13	2.15	7.30	2.16	7.80	2.21	8.14	2.25
	40.0	6.12	2.21	6.46	2.24	6.79	2.28	6.96	2.29	7.46	2.35	7.80	2.38
	43.0	5.92	2.29	6.25	2.33	6.59	2.36	6.76	2.38	7.26	2.43	7.60	2.47
	46.0	5.35	2.07	5.61	2.07	5.86	2.07	5.99	2.07	6.35	2.07	6.59	2.07

3D052359-3A-A

SYMBOLS

TC : Total cooling capacity (kW)
PI : Power input (kW)

NOTES

Capacities are based on following conditions
Corresponding refrigerant piping length: 7.5 m
Level difference: 0 m
The above is the value for connecting with the following indoor units.
2.0, 2.5, 3.5, 5.0kW class; wall mounted D series

5 Capacity tables

5 - 2 Cooling capacity tables

5

4MK558E

Cooling [50Hz 230V]

Combination (Capacity)	Outdoor air temp. °CDB	Indoor air temp.: °CWB											
		14°C		16°C		18°C		19°C		22°C		24°C	
		TC kW	PI kW	TC kW	PI kW	TC kW	PI kW	TC kW	PI kW	TC kW	PI kW	TC kW	PI kW
2.0+2.0+2.5+3.5	22.0	7.34	1.78	7.68	1.81	8.02	1.84	8.18	1.86	8.69	1.91	9.02	1.95
	25.0	7.14	1.84	7.48	1.87	7.81	1.91	7.98	1.93	8.48	1.98	8.82	2.01
	32.0	6.66	2.00	7.00	2.04	7.34	2.07	7.50	2.09	8.01	2.14	8.34	2.17
	35.0	6.46	2.08	6.80	2.11	7.13	2.15	7.30	2.16	7.80	2.21	8.14	2.25
	40.0	6.12	2.21	6.46	2.24	6.79	2.28	6.96	2.29	7.46	2.35	7.80	2.38
	43.0	5.92	2.29	6.25	2.33	6.59	2.36	6.76	2.38	7.26	2.43	7.60	2.47
	46.0	5.35	2.07	5.61	2.07	5.86	2.07	5.99	2.07	6.35	2.07	6.59	2.07
2.0+2.5+2.5+2.5	22.0	7.34	1.78	7.68	1.81	8.02	1.84	8.18	1.86	8.69	1.91	9.02	1.95
	25.0	7.14	1.84	7.48	1.87	7.81	1.91	7.98	1.93	8.48	1.98	8.82	2.01
	32.0	6.66	2.00	7.00	2.04	7.34	2.07	7.50	2.09	8.01	2.14	8.34	2.17
	35.0	6.46	2.08	6.80	2.11	7.13	2.15	7.30	2.16	7.80	2.21	8.14	2.25
	40.0	6.12	2.21	6.46	2.24	6.79	2.28	6.96	2.29	7.46	2.35	7.80	2.38
	43.0	5.92	2.29	6.25	2.33	6.59	2.36	6.76	2.38	7.26	2.43	7.60	2.47
	46.0	5.35	2.07	5.61	2.07	5.86	2.07	5.99	2.07	6.35	2.07	6.59	2.07
2.5+2.5+2.5+2.5	22.0	7.34	1.78	7.68	1.81	8.02	1.84	8.18	1.86	8.69	1.91	9.02	1.95
	25.0	7.14	1.84	7.48	1.87	7.81	1.91	7.98	1.93	8.48	1.98	8.82	2.01
	32.0	6.66	2.00	7.00	2.04	7.34	2.07	7.50	2.09	8.01	2.14	8.34	2.17
	35.0	6.46	2.08	6.80	2.11	7.13	2.15	7.30	2.16	7.80	2.21	8.14	2.25
	40.0	6.12	2.21	6.46	2.24	6.79	2.28	6.96	2.29	7.46	2.35	7.80	2.38
	43.0	5.92	2.29	6.25	2.33	6.59	2.36	6.76	2.38	7.26	2.43	7.60	2.47
	46.0	5.35	2.07	5.61	2.07	5.86	2.07	5.99	2.07	6.35	2.07	6.59	2.07

3D052359-3A-B

SYMBOLS

TC : Total cooling capacity (kW)
PI : Power input (kW)

NOTES

Capacities are based on following conditions
Corresponding refrigerant piping length: 7.5 m
Level difference: 0 m
The above is the value for connecting with the following indoor units.
2.0, 2.5, 3.5, 5.0kW class; wall mounted D series

5 Capacity tables

5 - 2 Cooling capacity tables

4MKS58E													
Cooling [50Hz 230V]													
Combination (Capacity)	Outdoor air temp. °CDB	Indoor air temp.: °CWB											
		14°C		16°C		18°C		19°C		22°C		24°C	
		TC kW	PI kW	TC kW	PI kW	TC kW	PI kW	TC kW	PI kW	TC kW	PI kW	TC kW	PI kW
2.0+3.5	22.0	4.94	1.20	6.06	1.58	6.85	1.84	7.00	1.86	7.43	1.91	7.71	1.95
	25.0	4.94	1.30	6.06	1.85	6.68	1.91	6.82	1.93	7.25	1.98	7.54	2.01
	32.0	4.94	1.57	5.98	2.04	6.27	2.07	6.41	2.09	6.85	2.14	7.13	2.17
	35.0	4.94	1.72	5.81	2.11	6.10	2.15	6.24	2.16	6.67	2.21	6.96	2.25
	40.0	4.94	2.16	5.52	2.24	5.81	2.28	5.95	2.29	6.38	2.35	6.67	2.38
	43.0	4.94	2.19	5.34	2.33	5.63	2.36	5.78	2.38	6.21	2.43	6.49	2.47
	46.0	4.63	2.07	4.86	2.07	5.08	2.07	5.19	2.07	5.51	2.07	5.72	2.07
2.0+5.0	22.0	6.54	1.79	6.84	1.83	7.14	1.86	7.29	1.88	7.74	1.93	8.04	1.97
	25.0	6.36	1.86	6.66	1.89	6.96	1.93	7.11	1.94	7.55	2.00	7.85	2.03
	32.0	5.93	2.02	6.23	2.05	6.53	2.09	6.68	2.11	7.13	2.16	7.43	2.19
	35.0	5.75	2.10	6.05	2.13	6.35	2.16	6.50	2.18	6.95	2.23	7.25	2.27
	40.0	5.45	2.23	5.75	2.26	6.05	2.30	6.20	2.32	6.65	2.37	6.95	2.40
	43.0	5.27	2.31	5.57	2.35	5.87	2.38	6.02	2.40	6.46	2.45	6.76	2.49
	46.0	4.79	2.07	5.03	2.07	5.25	2.07	5.37	2.07	5.70	2.07	5.91	2.07
2.5+2.5	22.0	4.94	1.29	6.06	1.71	6.65	1.90	6.79	1.92	7.21	1.98	7.49	2.01
	25.0	4.94	1.39	6.06	1.85	6.48	1.97	6.62	1.99	7.04	2.04	7.32	2.08
	32.0	4.94	1.68	5.81	2.10	6.09	2.14	6.23	2.15	6.65	2.21	6.93	2.24
	35.0	4.94	1.84	5.64	2.18	5.92	2.21	6.06	2.23	6.48	2.29	6.76	2.32
	40.0	4.94	2.16	5.36	2.32	5.64	2.35	5.78	2.37	6.20	2.42	6.48	2.46
	43.0	4.91	2.37	5.19	2.40	5.47	2.44	5.61	2.46	6.03	2.51	6.31	2.55
	46.0	4.47	2.07	4.69	2.07	4.90	2.07	5.01	2.07	5.32	2.07	5.52	2.07
2.5+3.5	22.0	4.94	1.29	6.06	1.71	6.65	1.90	6.79	1.92	7.21	1.98	7.49	2.01
	25.0	4.94	1.39	6.06	1.85	6.48	1.97	6.62	1.99	7.04	2.04	7.32	2.08
	32.0	4.94	1.68	5.81	2.10	6.09	2.14	6.23	2.15	6.65	2.21	6.93	2.24
	35.0	4.94	1.84	5.64	2.18	5.92	2.21	6.06	2.23	6.48	2.29	6.76	2.32
	40.0	4.94	2.16	5.36	2.32	5.64	2.35	5.78	2.37	6.20	2.42	6.48	2.46
	43.0	4.91	2.37	5.19	2.40	5.47	2.44	5.61	2.46	6.03	2.51	6.31	2.55
	46.0	4.47	2.07	4.69	2.07	4.90	2.07	5.01	2.07	5.32	2.07	5.52	2.07
2.5+5.0	22.0	6.56	1.78	6.86	1.82	7.16	1.85	7.31	1.87	7.76	1.92	8.06	1.96
	25.0	6.38	1.85	6.68	1.88	6.98	1.92	7.13	1.93	7.58	1.99	7.88	2.02
	32.0	5.95	2.01	6.25	2.04	6.55	2.08	6.70	2.10	7.15	2.15	7.45	2.18
	35.0	5.77	2.09	6.07	2.12	6.37	2.15	6.52	2.17	6.97	2.22	7.27	2.26
	40.0	5.47	2.22	5.77	2.25	6.07	2.29	6.22	2.31	6.67	2.36	6.97	2.39
	43.0	5.28	2.30	5.58	2.34	5.88	2.37	6.03	2.39	6.48	2.44	6.79	2.48
	46.0	4.81	2.07	5.05	2.07	5.28	2.07	5.39	2.07	5.72	2.07	5.94	2.07
3.5+3.5	22.0	4.94	1.29	6.06	1.71	6.65	1.90	6.79	1.92	7.21	1.98	7.49	2.01
	25.0	4.94	1.39	6.06	1.85	6.48	1.97	6.62	1.99	7.04	2.04	7.32	2.08
	32.0	4.94	1.68	5.81	2.10	6.09	2.14	6.23	2.15	6.65	2.21	6.93	2.24
	35.0	4.94	1.84	5.64	2.18	5.92	2.21	6.06	2.23	6.48	2.29	6.76	2.32
	40.0	4.94	2.16	5.36	2.32	5.64	2.35	5.78	2.37	6.20	2.42	6.48	2.46
	43.0	4.91	2.37	5.19	2.40	5.47	2.44	5.61	2.46	6.03	2.51	6.31	2.55
	46.0	4.47	2.07	4.69	2.07	4.90	2.07	5.01	2.07	5.32	2.07	5.52	2.07

3D052359-4A-B

SYMBOLS

TC : Total cooling capacity (kW)
PI : Power input (kW)

NOTES

Capacities are based on following conditions
Corresponding refrigerant piping length: 7.5 m
Level difference: 0 m
The above is the value for connecting with the following indoor units.
2.0, 2.5, 3.5kW class; wall mounted C series
5.0kW class; wall mounted E series

5 Capacity tables

5 - 2 Cooling capacity tables

5

4MK558E

Cooling [50Hz 230V]

Combination (Capacity)	Outdoor air temp. °CDB	Indoor air temp.: °CWB											
		14°C		16°C		18°C		19°C		22°C		24°C	
		TC kW	PI kW	TC kW	PI kW	TC kW	PI kW	TC kW	PI kW	TC kW	PI kW	TC kW	PI kW
3.5+5.0	22.0	6.56	1.78	6.86	1.81	7.16	1.84	7.31	1.86	7.76	1.91	8.06	1.95
	25.0	6.38	1.84	6.68	1.87	6.98	1.91	7.13	1.93	7.58	1.98	7.88	2.01
	32.0	5.95	2.00	6.25	2.04	6.55	2.07	6.70	2.09	7.15	2.14	7.45	2.17
	35.0	5.77	2.08	6.07	2.11	6.37	2.15	6.52	2.16	6.97	2.21	7.27	2.25
	40.0	5.47	2.21	5.77	2.24	6.07	2.28	6.22	2.29	6.67	2.35	6.97	2.38
	43.0	5.28	2.29	5.58	2.33	5.88	2.36	6.03	2.38	6.48	2.43	6.79	2.47
	46.0	4.82	2.07	5.05	2.07	5.29	2.07	5.40	2.07	5.73	2.07	5.95	2.07
5.0+5.0	22.0	7.04	1.73	7.36	1.77	7.69	1.80	7.85	1.82	8.33	1.87	8.65	1.90
	25.0	6.85	1.80	7.17	1.83	7.49	1.86	7.65	1.88	8.14	1.93	8.46	1.97
	32.0	6.39	1.95	6.71	1.99	7.03	2.02	7.20	2.04	7.68	2.09	8.00	2.12
	35.0	6.19	2.03	6.52	2.06	6.84	2.10	7.00	2.11	7.48	2.16	7.81	2.20
	40.0	5.87	2.16	6.19	2.19	6.51	2.22	6.67	2.24	7.16	2.29	7.48	2.33
	43.0	5.67	2.24	5.99	2.27	6.32	2.31	6.48	2.32	6.96	2.37	7.28	2.41
	46.0	5.19	2.07	5.44	2.07	5.69	2.07	5.81	2.07	6.17	2.07	6.40	2.07
2.0+2.0+2.0	22.0	6.97	1.86	7.29	1.89	7.61	1.93	7.77	1.95	8.25	2.00	8.57	2.04
	25.0	6.78	1.92	7.10	1.96	7.42	2.00	7.58	2.01	8.05	2.07	8.37	2.10
	32.0	6.33	2.09	6.64	2.13	6.96	2.17	7.12	2.18	7.60	2.24	7.92	2.27
	35.0	6.13	2.17	6.45	2.21	6.77	2.24	6.93	2.26	7.41	2.32	7.73	2.35
	40.0	5.81	2.31	6.13	2.35	6.45	2.38	6.61	2.40	7.09	2.46	7.41	2.49
	43.0	5.62	2.40	5.93	2.43	6.25	2.47	6.41	2.49	6.89	2.54	7.21	2.58
	46.0	5.02	2.07	5.27	2.07	5.50	2.07	5.62	2.07	5.96	2.07	6.18	2.07
2.0+2.0+2.5	22.0	6.97	1.86	7.29	1.89	7.61	1.93	7.77	1.95	8.25	2.00	8.57	2.04
	25.0	6.78	1.92	7.10	1.96	7.42	2.00	7.58	2.01	8.05	2.07	8.37	2.10
	32.0	6.33	2.09	6.64	2.13	6.96	2.17	7.12	2.18	7.60	2.24	7.92	2.27
	35.0	6.13	2.17	6.45	2.21	6.77	2.24	6.93	2.26	7.41	2.32	7.73	2.35
	40.0	5.81	2.31	6.13	2.35	6.45	2.38	6.61	2.40	7.09	2.46	7.41	2.49
	43.0	5.62	2.40	5.93	2.43	6.25	2.47	6.41	2.49	6.89	2.54	7.21	2.58
	46.0	5.02	2.07	5.27	2.07	5.50	2.07	5.62	2.07	5.96	2.07	6.18	2.07
2.0+2.0+3.5	22.0	6.97	1.86	7.29	1.89	7.61	1.93	7.77	1.95	8.25	2.00	8.57	2.04
	25.0	6.78	1.92	7.10	1.96	7.42	2.00	7.58	2.01	8.05	2.07	8.37	2.10
	32.0	6.33	2.09	6.64	2.13	6.96	2.17	7.12	2.18	7.60	2.24	7.92	2.27
	35.0	6.13	2.17	6.45	2.21	6.77	2.24	6.93	2.26	7.41	2.32	7.73	2.35
	40.0	5.81	2.31	6.13	2.35	6.45	2.38	6.61	2.40	7.09	2.46	7.41	2.49
	43.0	5.62	2.40	5.93	2.43	6.25	2.47	6.41	2.49	6.89	2.54	7.21	2.58
	46.0	5.02	2.07	5.27	2.07	5.50	2.07	5.62	2.07	5.96	2.07	6.18	2.07
2.0+2.0+5.0	22.0	7.34	1.88	7.68	1.92	8.02	1.96	8.18	1.97	8.69	2.03	9.02	2.07
	25.0	7.14	1.95	7.48	1.99	7.81	2.02	7.98	2.04	8.48	2.10	8.82	2.13
	32.0	6.66	2.12	7.00	2.16	7.34	2.19	7.50	2.21	8.01	2.27	8.34	2.30
	35.0	6.46	2.20	6.80	2.24	7.13	2.27	7.30	2.29	7.80	2.35	8.14	2.38
	40.0	6.12	2.34	6.46	2.38	6.79	2.41	6.96	2.43	7.46	2.49	7.80	2.52
	43.0	5.92	2.43	6.25	2.47	6.59	2.50	6.76	2.52	7.26	2.58	7.60	2.61
	46.0	5.24	2.07	5.49	2.07	5.74	2.07	5.86	2.07	6.21	2.07	6.44	2.07

3D052359-5A-A

SYMBOLS

TC : Total cooling capacity (kW)
PI : Power input (kW)

NOTES

Capacities are based on following conditions
Corresponding refrigerant piping length: 7.5 m
Level difference: 0 m
The above is the value for connecting with the following indoor units.
2.0, 2.5, 3.5kW class; wall mounted C series
5.0kW class; wall mounted E series

5 Capacity tables

5 - 2 Cooling capacity tables

4MKS58E													
Cooling [50Hz 230V]													
Combination (Capacity)	Outdoor air temp. °CDB	Indoor air temp.: °CWB											
		14°C		16°C		18°C		19°C		22°C		24°C	
		TC kW	PI kW	TC kW	PI kW	TC kW	PI kW	TC kW	PI kW	TC kW	PI kW	TC kW	PI kW
2.5+2.5+5.0	22.0	7.34	1.88	7.68	1.92	8.02	1.96	8.18	1.97	8.69	2.03	9.02	2.07
	25.0	7.14	1.95	7.48	1.99	7.81	2.02	7.98	2.04	8.48	2.10	8.82	2.13
	32.0	6.66	2.12	7.00	2.16	7.34	2.19	7.50	2.21	8.01	2.27	8.34	2.30
	35.0	6.46	2.20	6.80	2.24	7.13	2.27	7.30	2.29	7.80	2.35	8.14	2.38
	40.0	6.12	2.34	6.46	2.38	6.79	2.41	6.96	2.43	7.46	2.49	7.80	2.52
	43.0	5.92	2.43	6.25	2.47	6.59	2.50	6.76	2.52	7.26	2.58	7.60	2.61
	46.0	5.24	2.07	5.49	2.07	5.74	2.07	5.86	2.07	6.21	2.07	6.44	2.07
2.5+3.5+3.5	22.0	6.97	1.86	7.29	1.89	7.61	1.93	7.77	1.95	8.25	2.00	8.57	2.04
	25.0	6.78	1.92	7.10	1.96	7.42	2.00	7.58	2.01	8.05	2.07	8.37	2.10
	32.0	6.33	2.09	6.64	2.13	6.96	2.17	7.12	2.18	7.60	2.24	7.92	2.27
	35.0	6.13	2.17	6.45	2.21	6.77	2.24	6.93	2.26	7.41	2.32	7.73	2.35
	40.0	5.81	2.31	6.13	2.35	6.45	2.38	6.61	2.40	7.09	2.46	7.41	2.49
	43.0	5.62	2.40	5.93	2.43	6.25	2.47	6.41	2.49	6.89	2.54	7.21	2.58
	46.0	5.02	2.07	5.27	2.07	5.50	2.07	5.62	2.07	5.96	2.07	6.18	2.07
2.0+2.0+2.0+2.0	22.0	7.14	1.77	7.47	1.80	7.80	1.84	7.96	1.85	8.45	1.90	8.78	1.94
	25.0	6.94	1.83	7.27	1.86	7.60	1.90	7.76	1.92	8.25	1.97	8.58	2.00
	32.0	6.48	1.99	6.81	2.03	7.13	2.06	7.30	2.08	7.79	2.13	8.12	2.16
	35.0	6.28	2.07	6.61	2.10	6.94	2.14	7.10	2.15	7.59	2.20	7.92	2.24
	40.0	5.95	2.20	6.28	2.23	6.61	2.27	6.77	2.28	7.26	2.34	7.59	2.37
	43.0	5.75	2.28	6.08	2.32	6.41	2.35	6.57	2.37	7.06	2.42	7.39	2.45
	46.0	5.22	2.07	5.48	2.07	5.72	2.07	5.85	2.07	6.20	2.07	6.44	2.07
2.0+2.0+2.0+2.5	22.0	7.14	1.77	7.47	1.80	7.80	1.84	7.96	1.85	8.45	1.90	8.78	1.94
	25.0	6.94	1.83	7.27	1.86	7.60	1.90	7.76	1.92	8.25	1.97	8.58	2.00
	32.0	6.48	1.99	6.81	2.03	7.13	2.06	7.30	2.08	7.79	2.13	8.12	2.16
	35.0	6.28	2.07	6.61	2.10	6.94	2.14	7.10	2.15	7.59	2.20	7.92	2.24
	40.0	5.95	2.20	6.28	2.23	6.61	2.27	6.77	2.28	7.26	2.34	7.59	2.37
	43.0	5.75	2.28	6.08	2.32	6.41	2.35	6.57	2.37	7.06	2.42	7.39	2.45
	46.0	5.22	2.07	5.48	2.07	5.72	2.07	5.85	2.07	6.20	2.07	6.44	2.07
2.0+2.0+2.0+3.5	22.0	7.14	1.77	7.47	1.80	7.80	1.84	7.96	1.85	8.45	1.90	8.78	1.94
	25.0	6.94	1.83	7.27	1.86	7.60	1.90	7.76	1.92	8.25	1.97	8.58	2.00
	32.0	6.48	1.99	6.81	2.03	7.13	2.06	7.30	2.08	7.79	2.13	8.12	2.16
	35.0	6.28	2.07	6.61	2.10	6.94	2.14	7.10	2.15	7.59	2.20	7.92	2.24
	40.0	5.95	2.20	6.28	2.23	6.61	2.27	6.77	2.28	7.26	2.34	7.59	2.37
	43.0	5.75	2.28	6.08	2.32	6.41	2.35	6.57	2.37	7.06	2.42	7.39	2.45
	46.0	5.22	2.07	5.48	2.07	5.72	2.07	5.85	2.07	6.20	2.07	6.44	2.07
2.0+2.0+2.5+2.5	22.0	7.14	1.77	7.47	1.80	7.80	1.84	7.96	1.85	8.45	1.90	8.78	1.94
	25.0	6.94	1.83	7.27	1.86	7.60	1.90	7.76	1.92	8.25	1.97	8.58	2.00
	32.0	6.48	1.99	6.81	2.03	7.13	2.06	7.30	2.08	7.79	2.13	8.12	2.16
	35.0	6.28	2.07	6.61	2.10	6.94	2.14	7.10	2.15	7.59	2.20	7.92	2.24
	40.0	5.95	2.20	6.28	2.23	6.61	2.27	6.77	2.28	7.26	2.34	7.59	2.37
	43.0	5.75	2.28	6.08	2.32	6.41	2.35	6.57	2.37	7.06	2.42	7.39	2.45
	46.0	5.22	2.07	5.48	2.07	5.72	2.07	5.85	2.07	6.20	2.07	6.44	2.07

3D052359-6A-A

SYMBOLS

TC : Total cooling capacity (kW)
 PI : Power input (kW)

NOTES

Capacities are based on following conditions
 Corresponding refrigerant piping length: 7.5 m
 Level difference: 0 m
 The above is the value for connecting with the following indoor units.
 2.0, 2.5, 3.5kW class; wall mounted C series
 5.0kW class; wall mounted E series

5 Capacity tables

5 - 2 Cooling capacity tables

5

4MK558E

Cooling [50Hz 230V]

Combination (Capacity)	Outdoor air temp. °CDB	Indoor air temp.: °CWB											
		14°C		16°C		18°C		19°C		22°C		24°C	
		TC kW	PI kW	TC kW	PI kW	TC kW	PI kW	TC kW	PI kW	TC kW	PI kW	TC kW	PI kW
2.0+2.0+2.5+3.5	22.0	7.14	1.77	7.47	1.80	7.80	1.84	7.96	1.85	8.45	1.90	8.78	1.94
	25.0	6.94	1.83	7.27	1.86	7.60	1.90	7.76	1.92	8.25	1.97	8.58	2.00
	32.0	6.48	1.99	6.81	2.03	7.13	2.06	7.30	2.08	7.79	2.13	8.12	2.16
	35.0	6.28	2.07	6.61	2.10	6.94	2.14	7.10	2.15	7.59	2.20	7.92	2.24
	40.0	5.95	2.20	6.28	2.23	6.61	2.27	6.77	2.28	7.26	2.34	7.59	2.37
	43.0	5.75	2.28	6.08	2.32	6.41	2.35	6.57	2.37	7.06	2.42	7.39	2.45
	46.0	5.22	2.07	5.48	2.07	5.72	2.07	5.85	2.07	6.20	2.07	6.44	2.07
2.0+2.5+2.5+2.5	22.0	7.14	1.77	7.47	1.80	7.80	1.84	7.96	1.85	8.45	1.90	8.78	1.94
	25.0	6.94	1.83	7.27	1.86	7.60	1.90	7.76	1.92	8.25	1.97	8.58	2.00
	32.0	6.48	1.99	6.81	2.03	7.13	2.06	7.30	2.08	7.79	2.13	8.12	2.16
	35.0	6.28	2.07	6.61	2.10	6.94	2.14	7.10	2.15	7.59	2.20	7.92	2.24
	40.0	5.95	2.20	6.28	2.23	6.61	2.27	6.77	2.28	7.26	2.34	7.59	2.37
	43.0	5.75	2.28	6.08	2.32	6.41	2.35	6.57	2.37	7.06	2.42	7.39	2.45
	46.0	5.22	2.07	5.48	2.07	5.72	2.07	5.85	2.07	6.20	2.07	6.44	2.07
2.5+2.5+2.5+2.5	22.0	7.14	1.77	7.47	1.80	7.80	1.84	7.96	1.85	8.45	1.90	8.78	1.94
	25.0	6.94	1.83	7.27	1.86	7.60	1.90	7.76	1.92	8.25	1.97	8.58	2.00
	32.0	6.48	1.99	6.81	2.03	7.13	2.06	7.30	2.08	7.79	2.13	8.12	2.16
	35.0	6.28	2.07	6.61	2.10	6.94	2.14	7.10	2.15	7.59	2.20	7.92	2.24
	40.0	5.95	2.20	6.28	2.23	6.61	2.27	6.77	2.28	7.26	2.34	7.59	2.37
	43.0	5.75	2.28	6.08	2.32	6.41	2.35	6.57	2.37	7.06	2.42	7.39	2.45
	46.0	5.22	2.07	5.48	2.07	5.72	2.07	5.85	2.07	6.20	2.07	6.44	2.07

3D052359-6A-B

SYMBOLS

TC : Total cooling capacity (kW)
PI : Power input (kW)

NOTES

Capacities are based on following conditions
Corresponding refrigerant piping length: 7.5 m
Level difference: 0 m
The above is the value for connecting with the following indoor units.
2.0, 2.5, 3.5kW class; wall mounted C series
5.0kW class; wall mounted E series

5 Capacity tables

5 - 2 Cooling capacity tables

4MKS58E													
Cooling [50Hz 230V]													
Combination (Capacity)	Outdoor air temp. °CDB	Indoor air temp.: °CWB											
		14°C		16°C		18°C		19°C		22°C		24°C	
		TC kW	PI kW	TC kW	PI kW	TC kW	PI kW	TC kW	PI kW	TC kW	PI kW	TC kW	PI kW
2.0+3.5	22.0	5.63	1.42	6.56	1.73	6.85	1.77	7.00	1.78	7.43	1.83	7.71	1.87
	25.0	5.63	1.54	6.39	1.80	6.68	1.83	6.82	1.85	7.25	1.89	7.54	1.93
	32.0	5.63	1.88	5.98	1.95	6.27	1.98	6.41	2.00	6.85	2.05	7.13	2.08
	35.0	5.52	1.99	5.81	2.02	6.10	2.06	6.24	2.07	6.67	2.12	6.96	2.15
	40.0	5.23	2.12	5.52	2.15	5.81	2.18	5.95	2.20	6.38	2.25	6.67	2.28
	43.0	5.06	2.20	5.34	2.23	5.63	2.26	5.78	2.28	6.21	2.33	6.49	2.36
	46.0	4.69	2.07	4.92	2.07	5.15	2.07	5.27	2.07	5.60	2.07	5.81	2.07
2.0+5.0	22.0	6.95	1.70	7.27	1.73	7.59	1.77	7.75	1.78	8.22	1.83	8.54	1.87
	25.0	6.76	1.76	7.08	1.80	7.39	1.83	7.55	1.85	8.03	1.89	8.35	1.93
	32.0	6.31	1.92	6.63	1.95	6.94	1.98	7.10	2.00	7.58	2.05	7.90	2.08
	35.0	6.11	1.99	6.43	2.02	6.75	2.06	6.91	2.07	7.39	2.12	7.71	2.15
	40.0	5.79	2.12	6.11	2.15	6.43	2.18	6.59	2.20	7.07	2.25	7.38	2.28
	43.0	5.60	2.20	5.92	2.23	6.24	2.26	6.40	2.28	6.87	2.33	7.19	2.36
	46.0	5.16	2.07	5.42	2.07	5.67	2.07	5.79	2.07	6.15	2.07	6.38	2.07
2.5+2.5	22.0	5.26	1.32	6.46	1.75	6.84	1.83	6.98	1.84	7.41	1.90	7.70	1.93
	25.0	5.26	1.42	6.38	1.86	6.67	1.89	6.81	1.91	7.24	1.96	7.53	1.99
	32.0	5.26	1.72	5.97	2.02	6.26	2.05	6.40	2.07	6.83	2.12	7.12	2.15
	35.0	5.26	1.89	5.80	2.09	6.09	2.13	6.23	2.14	6.66	2.19	6.95	2.23
	40.0	5.22	2.19	5.51	2.22	5.80	2.26	5.94	2.27	6.37	2.33	6.66	2.36
	43.0	5.05	2.27	5.34	2.31	5.62	2.34	5.77	2.36	6.20	2.41	6.48	2.44
	46.0	4.63	2.07	4.86	2.07	5.09	2.07	5.20	2.07	5.52	2.07	5.73	2.07
2.5+3.5	22.0	5.63	1.43	6.68	1.81	6.97	1.84	7.12	1.86	7.56	1.91	7.85	1.95
	25.0	5.63	1.55	6.50	1.87	6.80	1.91	6.94	1.93	7.38	1.98	7.67	2.01
	32.0	5.63	1.90	6.09	2.04	6.38	2.07	6.53	2.09	6.97	2.14	7.26	2.17
	35.0	5.62	2.08	5.91	2.11	6.20	2.15	6.35	2.16	6.79	2.21	7.08	2.25
	40.0	5.32	2.21	5.62	2.24	5.91	2.28	6.05	2.29	6.49	2.35	6.79	2.38
	43.0	5.15	2.29	5.44	2.33	5.73	2.36	5.88	2.38	6.32	2.43	6.61	2.47
	46.0	4.70	2.07	4.93	2.07	5.16	2.07	5.27	2.07	5.60	2.07	5.81	2.07
2.5+5.0	22.0	6.95	1.70	7.27	1.73	7.59	1.77	7.75	1.78	8.22	1.83	8.54	1.87
	25.0	6.76	1.76	7.08	1.80	7.39	1.83	7.55	1.85	8.03	1.89	8.35	1.93
	32.0	6.31	1.92	6.63	1.95	6.94	1.98	7.10	2.00	7.58	2.05	7.90	2.08
	35.0	6.11	1.99	6.43	2.02	6.75	2.06	6.91	2.07	7.39	2.12	7.71	2.15
	40.0	5.79	2.12	6.11	2.15	6.43	2.18	6.59	2.20	7.07	2.25	7.38	2.28
	43.0	5.60	2.20	5.92	2.23	6.24	2.26	6.40	2.28	6.87	2.33	7.19	2.36
	46.0	5.16	2.07	5.42	2.07	5.67	2.07	5.79	2.07	6.15	2.07	6.38	2.07
3.5+3.5	22.0	6.00	1.57	6.73	1.81	7.03	1.84	7.17	1.86	7.62	1.91	7.91	1.95
	25.0	6.00	1.71	6.55	1.87	6.85	1.91	7.00	1.93	7.44	1.98	7.73	2.01
	32.0	5.84	2.00	6.14	2.04	6.43	2.07	6.58	2.09	7.02	2.14	7.32	2.17
	35.0	5.66	2.08	5.96	2.11	6.25	2.15	6.40	2.16	6.84	2.21	7.14	2.25
	40.0	5.36	2.21	5.66	2.24	5.95	2.28	6.10	2.29	6.54	2.35	6.84	2.38
	43.0	5.19	2.29	5.48	2.33	5.78	2.36	5.92	2.38	6.37	2.43	6.66	2.47
	46.0	4.74	2.07	4.97	2.07	5.20	2.07	5.31	2.07	5.64	2.07	5.85	2.07

3D052359-7A-B

SYMBOLS

TC : Total cooling capacity (kW)
PI : Power input (kW)

NOTES

Capacities are based on following conditions
Corresponding refrigerant piping length: 7.5 m
Level difference: 0 m
The above is the value for connecting with the following indoor units.
2.0, 2.5, 3.5kW class; wall mounted D series
5.0kW class; wall mounted E series

5 Capacity tables

5 - 2 Cooling capacity tables

5

4MK558E

Cooling [50Hz 230V]

Combination (Capacity)	Outdoor air temp. °CDB	Indoor air temp.: °CWB											
		14°C		16°C		18°C		19°C		22°C		24°C	
		TC kW	PI kW	TC kW	PI kW	TC kW	PI kW	TC kW	PI kW	TC kW	PI kW	TC kW	PI kW
3.5+5.0	22.0	6.96	1.71	7.28	1.74	7.60	1.78	7.76	1.79	8.24	1.84	8.55	1.88
	25.0	6.77	1.77	7.09	1.80	7.41	1.84	7.56	1.85	8.04	1.90	8.36	1.94
	32.0	6.32	1.93	6.64	1.96	6.95	1.99	7.11	2.01	7.59	2.06	7.91	2.09
	35.0	6.12	2.00	6.44	2.03	6.76	2.07	6.92	2.08	7.40	2.13	7.72	2.17
	40.0	5.80	2.13	6.12	2.16	6.44	2.19	6.60	2.21	7.08	2.26	7.39	2.29
	43.0	5.61	2.21	5.93	2.24	6.25	2.27	6.40	2.29	6.88	2.34	7.20	2.37
	46.0	5.16	2.07	5.42	2.07	5.67	2.07	5.79	2.07	6.15	2.07	6.38	2.07
5.0+5.0	22.0	7.04	1.73	7.36	1.77	7.69	1.80	7.85	1.82	8.33	1.87	8.65	1.90
	25.0	6.85	1.80	7.17	1.83	7.49	1.86	7.65	1.88	8.14	1.93	8.46	1.97
	32.0	6.39	1.95	6.71	1.99	7.03	2.02	7.20	2.04	7.68	2.09	8.00	2.12
	35.0	6.19	2.03	6.52	2.06	6.84	2.10	7.00	2.11	7.48	2.16	7.81	2.20
	40.0	5.87	2.16	6.19	2.19	6.51	2.22	6.67	2.24	7.16	2.29	7.48	2.33
	43.0	5.67	2.24	5.99	2.27	6.32	2.31	6.48	2.32	6.96	2.37	7.28	2.41
	46.0	5.19	2.07	5.44	2.07	5.69	2.07	5.81	2.07	6.17	2.07	6.40	2.07
2.0+2.0+2.0	22.0	7.08	1.78	7.41	1.81	7.73	1.84	7.89	1.86	8.38	1.91	8.70	1.95
	25.0	6.88	1.84	7.21	1.87	7.53	1.91	7.70	1.93	8.18	1.98	8.51	2.01
	32.0	6.43	2.00	6.75	2.04	7.07	2.07	7.24	2.09	7.72	2.14	8.05	2.17
	35.0	6.23	2.08	6.55	2.11	6.88	2.15	7.04	2.16	7.53	2.21	7.85	2.25
	40.0	5.90	2.21	6.23	2.24	6.55	2.28	6.71	2.29	7.20	2.35	7.52	2.38
	43.0	5.70	2.29	6.03	2.33	6.35	2.36	6.52	2.38	7.00	2.43	7.33	2.47
	46.0	5.17	2.07	5.42	2.07	5.67	2.07	5.79	2.07	6.14	2.07	6.37	2.07
2.0+2.0+2.5	22.0	7.08	1.78	7.41	1.81	7.73	1.84	7.89	1.86	8.38	1.91	8.70	1.95
	25.0	6.88	1.84	7.21	1.87	7.53	1.91	7.70	1.93	8.18	1.98	8.51	2.01
	32.0	6.43	2.00	6.75	2.04	7.07	2.07	7.24	2.09	7.72	2.14	8.05	2.17
	35.0	6.23	2.08	6.55	2.11	6.88	2.15	7.04	2.16	7.53	2.21	7.85	2.25
	40.0	5.90	2.21	6.23	2.24	6.55	2.28	6.71	2.29	7.20	2.35	7.52	2.38
	43.0	5.70	2.29	6.03	2.33	6.35	2.36	6.52	2.38	7.00	2.43	7.33	2.47
	46.0	5.17	2.07	5.42	2.07	5.67	2.07	5.79	2.07	6.14	2.07	6.37	2.07
2.0+2.0+3.5	22.0	7.10	1.78	7.43	1.81	7.75	1.84	7.91	1.86	8.40	1.91	8.73	1.95
	25.0	6.90	1.84	7.23	1.87	7.55	1.91	7.72	1.93	8.21	1.98	8.53	2.01
	32.0	6.44	2.00	6.77	2.04	7.09	2.07	7.26	2.09	7.75	2.14	8.07	2.17
	35.0	6.25	2.08	6.57	2.11	6.90	2.15	7.06	2.16	7.55	2.21	7.87	2.25
	40.0	5.92	2.21	6.24	2.24	6.57	2.28	6.73	2.29	7.22	2.35	7.54	2.38
	43.0	5.72	2.29	6.05	2.33	6.37	2.36	6.53	2.38	7.02	2.43	7.35	2.47
	46.0	5.18	2.07	5.44	2.07	5.68	2.07	5.81	2.07	6.16	2.07	6.39	2.07
2.0+2.0+5.0	22.0	7.34	1.80	7.68	1.83	8.02	1.87	8.18	1.89	8.69	1.94	9.02	1.97
	25.0	7.14	1.86	7.48	1.90	7.81	1.93	7.98	1.95	8.48	2.00	8.82	2.04
	32.0	6.66	2.03	7.00	2.06	7.34	2.10	7.50	2.12	8.01	2.17	8.34	2.20
	35.0	6.46	2.10	6.80	2.14	7.13	2.17	7.30	2.19	7.80	2.24	8.14	2.28
	40.0	6.12	2.24	6.46	2.27	6.79	2.31	6.96	2.33	7.46	2.38	7.80	2.41
	43.0	5.92	2.32	6.25	2.36	6.59	2.39	6.76	2.41	7.26	2.46	7.60	2.50
	46.0	5.32	2.07	5.58	2.07	5.83	2.07	5.95	2.07	6.32	2.07	6.55	2.07

3D052359-8A-A

SYMBOLS

TC : Total cooling capacity (kW)
 PI : Power input (kW)

NOTES

Capacities are based on following conditions
 Corresponding refrigerant piping length: 7.5 m
 Level difference: 0 m
 The above is the value for connecting with the following indoor units.
 2.0, 2.5, 3.5kW class; wall mounted D series
 5.0kW class; wall mounted E series

5 Capacity tables

5 - 2 Cooling capacity tables

4MKS58E
Cooling [50Hz 230V]

Combination (Capacity)	Outdoor air temp. °CDB	Indoor air temp.: °CWB											
		14°C		16°C		18°C		19°C		22°C		24°C	
		TC kW	PI kW	TC kW	PI kW	TC kW	PI kW	TC kW	PI kW	TC kW	PI kW	TC kW	PI kW
2.5+2.5+5.0	22.0	7.34	1.84	7.68	1.88	8.02	1.91	8.18	1.93	8.69	1.98	9.02	2.02
	25.0	7.14	1.91	7.48	1.94	7.81	1.98	7.98	2.00	8.48	2.05	8.82	2.09
	32.0	6.66	2.07	7.00	2.11	7.34	2.15	7.50	2.16	8.01	2.22	8.34	2.25
	35.0	6.46	2.15	6.80	2.19	7.13	2.22	7.30	2.24	7.80	2.30	8.14	2.33
	40.0	6.12	2.29	6.46	2.33	6.79	2.36	6.96	2.38	7.46	2.43	7.80	2.47
	43.0	5.92	2.38	6.25	2.41	6.59	2.45	6.76	2.47	7.26	2.52	7.60	2.56
	46.0	5.28	2.07	5.53	2.07	5.78	2.07	5.90	2.07	6.26	2.07	6.49	2.07
2.5+3.5+3.5	22.0	7.11	1.78	7.44	1.81	7.76	1.84	7.93	1.86	8.41	1.91	8.74	1.95
	25.0	6.91	1.84	7.24	1.87	7.57	1.91	7.73	1.93	8.22	1.98	8.54	2.01
	32.0	6.45	2.00	6.78	2.04	7.10	2.07	7.27	2.09	7.76	2.14	8.08	2.17
	35.0	6.26	2.08	6.58	2.11	6.91	2.15	7.07	2.16	7.56	2.21	7.88	2.25
	40.0	5.93	2.21	6.25	2.24	6.58	2.28	6.74	2.29	7.23	2.35	7.56	2.38
	43.0	5.73	2.29	6.05	2.33	6.38	2.36	6.54	2.38	7.03	2.43	7.36	2.47
	46.0	5.19	2.07	5.44	2.07	5.69	2.07	5.81	2.07	6.17	2.07	6.40	2.07
2.0+2.0+2.0+2.0	22.0	7.34	1.78	7.68	1.81	8.02	1.84	8.18	1.86	8.69	1.91	9.02	1.95
	25.0	7.14	1.84	7.48	1.87	7.81	1.91	7.98	1.93	8.48	1.98	8.82	2.01
	32.0	6.66	2.00	7.00	2.04	7.34	2.07	7.50	2.09	8.01	2.14	8.34	2.17
	35.0	6.46	2.08	6.80	2.11	7.13	2.15	7.30	2.16	7.80	2.21	8.14	2.25
	40.0	6.12	2.21	6.46	2.24	6.79	2.28	6.96	2.29	7.46	2.35	7.80	2.38
	43.0	5.92	2.29	6.25	2.33	6.59	2.36	6.76	2.38	7.26	2.43	7.60	2.47
	46.0	5.35	2.07	5.61	2.07	5.86	2.07	5.99	2.07	6.35	2.07	6.59	2.07
2.0+2.0+2.0+2.5	22.0	7.34	1.78	7.68	1.81	8.02	1.84	8.18	1.86	8.69	1.91	9.02	1.95
	25.0	7.14	1.84	7.48	1.87	7.81	1.91	7.98	1.93	8.48	1.98	8.82	2.01
	32.0	6.66	2.00	7.00	2.04	7.34	2.07	7.50	2.09	8.01	2.14	8.34	2.17
	35.0	6.46	2.08	6.80	2.11	7.13	2.15	7.30	2.16	7.80	2.21	8.14	2.25
	40.0	6.12	2.21	6.46	2.24	6.79	2.28	6.96	2.29	7.46	2.35	7.80	2.38
	43.0	5.92	2.29	6.25	2.33	6.59	2.36	6.76	2.38	7.26	2.43	7.60	2.47
	46.0	5.35	2.07	5.61	2.07	5.86	2.07	5.99	2.07	6.35	2.07	6.59	2.07
2.0+2.0+2.0+3.5	22.0	7.34	1.78	7.68	1.81	8.02	1.84	8.18	1.86	8.69	1.91	9.02	1.95
	25.0	7.14	1.84	7.48	1.87	7.81	1.91	7.98	1.93	8.48	1.98	8.82	2.01
	32.0	6.66	2.00	7.00	2.04	7.34	2.07	7.50	2.09	8.01	2.14	8.34	2.17
	35.0	6.46	2.08	6.80	2.11	7.13	2.15	7.30	2.16	7.80	2.21	8.14	2.25
	40.0	6.12	2.21	6.46	2.24	6.79	2.28	6.96	2.29	7.46	2.35	7.80	2.38
	43.0	5.92	2.29	6.25	2.33	6.59	2.36	6.76	2.38	7.26	2.43	7.60	2.47
	46.0	5.35	2.07	5.61	2.07	5.86	2.07	5.99	2.07	6.35	2.07	6.59	2.07
2.0+2.0+2.5+2.5	22.0	7.34	1.78	7.68	1.81	8.02	1.84	8.18	1.86	8.69	1.91	9.02	1.95
	25.0	7.14	1.84	7.48	1.87	7.81	1.91	7.98	1.93	8.48	1.98	8.82	2.01
	32.0	6.66	2.00	7.00	2.04	7.34	2.07	7.50	2.09	8.01	2.14	8.34	2.17
	35.0	6.46	2.08	6.80	2.11	7.13	2.15	7.30	2.16	7.80	2.21	8.14	2.25
	40.0	6.12	2.21	6.46	2.24	6.79	2.28	6.96	2.29	7.46	2.35	7.80	2.38
	43.0	5.92	2.29	6.25	2.33	6.59	2.36	6.76	2.38	7.26	2.43	7.60	2.47
	46.0	5.35	2.07	5.61	2.07	5.86	2.07	5.99	2.07	6.35	2.07	6.59	2.07

3D052359-9A-A

SYMBOLS

TC : Total cooling capacity (kW)
PI : Power input (kW)

NOTES

Capacities are based on following conditions
Corresponding refrigerant piping length: 7.5 m
Level difference: 0 m
The above is the value for connecting with the following indoor units.
2.0, 2.5, 3.5kW class; wall mounted D series
5.0kW class; wall mounted E series

5 Capacity tables

5 - 2 Cooling capacity tables

5

4MK558E

Cooling [50Hz 230V]

Combination (Capacity)	Outdoor air temp. °CDB	Indoor air temp.: °CWB											
		14°C		16°C		18°C		19°C		22°C		24°C	
		TC kW	PI kW	TC kW	PI kW	TC kW	PI kW	TC kW	PI kW	TC kW	PI kW	TC kW	PI kW
2.0+2.0+2.5+3.5	22.0	7.34	1.78	7.68	1.81	8.02	1.84	8.18	1.86	8.69	1.91	9.02	1.95
	25.0	7.14	1.84	7.48	1.87	7.81	1.91	7.98	1.93	8.48	1.98	8.82	2.01
	32.0	6.66	2.00	7.00	2.04	7.34	2.07	7.50	2.09	8.01	2.14	8.34	2.17
	35.0	6.46	2.08	6.80	2.11	7.13	2.15	7.30	2.16	7.80	2.21	8.14	2.25
	40.0	6.12	2.21	6.46	2.24	6.79	2.28	6.96	2.29	7.46	2.35	7.80	2.38
	43.0	5.92	2.29	6.25	2.33	6.59	2.36	6.76	2.38	7.26	2.43	7.60	2.47
	46.0	5.35	2.07	5.61	2.07	5.86	2.07	5.99	2.07	6.35	2.07	6.59	2.07
2.0+2.5+2.5+2.5	22.0	7.34	1.78	7.68	1.81	8.02	1.84	8.18	1.86	8.69	1.91	9.02	1.95
	25.0	7.14	1.84	7.48	1.87	7.81	1.91	7.98	1.93	8.48	1.98	8.82	2.01
	32.0	6.66	2.00	7.00	2.04	7.34	2.07	7.50	2.09	8.01	2.14	8.34	2.17
	35.0	6.46	2.08	6.80	2.11	7.13	2.15	7.30	2.16	7.80	2.21	8.14	2.25
	40.0	6.12	2.21	6.46	2.24	6.79	2.28	6.96	2.29	7.46	2.35	7.80	2.38
	43.0	5.92	2.29	6.25	2.33	6.59	2.36	6.76	2.38	7.26	2.43	7.60	2.47
	46.0	5.35	2.07	5.61	2.07	5.86	2.07	5.99	2.07	6.35	2.07	6.59	2.07
2.5+2.5+2.5+2.5	22.0	7.34	1.78	7.68	1.81	8.02	1.84	8.18	1.86	8.69	1.91	9.02	1.95
	25.0	7.14	1.84	7.48	1.87	7.81	1.91	7.98	1.93	8.48	1.98	8.82	2.01
	32.0	6.66	2.00	7.00	2.04	7.34	2.07	7.50	2.09	8.01	2.14	8.34	2.17
	35.0	6.46	2.08	6.80	2.11	7.13	2.15	7.30	2.16	7.80	2.21	8.14	2.25
	40.0	6.12	2.21	6.46	2.24	6.79	2.28	6.96	2.29	7.46	2.35	7.80	2.38
	43.0	5.92	2.29	6.25	2.33	6.59	2.36	6.76	2.38	7.26	2.43	7.60	2.47
	46.0	5.35	2.07	5.61	2.07	5.86	2.07	5.99	2.07	6.35	2.07	6.59	2.07

3D052359-9A-B

SYMBOLS

TC : Total cooling capacity (kW)
PI : Power input (kW)

NOTES

Capacities are based on following conditions
Corresponding refrigerant piping length: 7.5 m
Level difference: 0 m
The above is the value for connecting with the following indoor units.
2.0, 2.5, 3.5kW class; wall mounted C series
5.0kW class; wall mounted E series

5 Capacity tables

5 - 2 Cooling capacity tables

4MKS75E		Cooling [50Hz 230V]											
Combination (Capacity)	Outdoor air temp. °CDB	Indoor air temp.: °CWB											
		14°C		16°C		18°C		19°C		22°C		24°C	
		TC kW	PI kW	TC kW	PI kW	TC kW	PI kW	TC kW	PI kW	TC kW	PI kW	TC kW	PI kW
2.0	22.0	2.63	0.57	3.11	0.68	3.25	0.69	3.32	0.70	3.52	0.72	3.66	0.73
	25.0	2.63	0.61	3.03	0.70	3.17	0.72	3.24	0.72	3.44	0.74	3.58	0.75
	32.0	2.63	0.72	2.84	0.76	2.97	0.78	3.04	0.78	3.25	0.80	3.38	0.82
	35.0	2.62	0.78	2.76	0.79	2.89	0.80	2.96	0.81	3.16	0.83	3.30	0.84
	40.0	2.48	0.83	2.62	0.84	2.75	0.85	2.82	0.86	3.03	0.88	3.16	0.89
	43.0	2.40	0.86	2.53	0.87	2.67	0.89	2.74	0.89	2.94	0.91	3.08	0.92
	46.0	2.32	0.89	2.45	0.91	2.59	0.92	2.66	0.92	2.86	0.94	3.00	0.96
2.5	22.0	2.63	0.57	3.23	0.69	3.73	0.80	3.81	0.81	4.05	0.83	4.20	0.85
	25.0	2.63	0.61	3.23	0.74	3.64	0.83	3.72	0.84	3.95	0.86	4.11	0.88
	32.0	2.63	0.72	3.23	0.87	3.42	0.90	3.49	0.91	3.73	0.93	3.89	0.95
	35.0	2.63	0.75	3.17	0.92	3.32	0.93	3.40	0.94	3.63	0.96	3.79	0.98
	40.0	2.63	0.86	3.01	0.98	3.16	0.99	3.24	1.00	3.48	1.02	3.63	1.04
	43.0	2.63	0.93	2.91	1.01	3.07	1.03	3.15	1.04	3.38	1.06	3.54	1.07
	46.0	2.63	1.02	2.82	1.05	2.97	1.07	3.05	1.07	3.29	1.10	3.44	1.11
3.5	22.0	3.00	0.62	3.68	0.78	4.42	0.96	4.81	1.07	5.65	1.28	5.87	1.30
	25.0	3.00	0.67	3.68	0.84	4.42	1.03	4.81	1.14	5.52	1.32	5.74	1.34
	32.0	3.00	0.78	3.68	0.99	4.42	1.22	4.81	1.36	5.21	1.43	5.43	1.45
	35.0	3.00	0.84	3.68	1.07	4.42	1.32	4.75	1.44	5.08	1.48	5.30	1.50
	40.0	3.00	0.96	3.68	1.22	4.42	1.52	4.53	1.53	4.86	1.56	5.08	1.59
	43.0	3.00	1.04	3.68	1.32	4.29	1.57	4.40	1.59	4.72	1.62	4.94	1.64
	46.0	3.00	1.13	3.68	1.44	4.15	1.63	4.26	1.64	4.59	1.68	4.81	1.70
5.0	22.0	4.33	1.25	5.32	1.64	5.71	1.76	5.83	1.78	6.19	1.82	6.43	1.86
	25.0	4.33	1.34	5.32	1.78	5.56	1.82	5.68	1.84	6.04	1.89	6.28	1.92
	32.0	4.33	1.62	4.99	1.94	5.23	1.97	5.35	1.99	5.70	2.04	5.94	2.07
	35.0	4.33	1.77	4.84	2.01	5.08	2.05	5.20	2.06	5.56	2.11	5.80	2.14
	40.0	4.33	2.08	4.60	2.14	4.84	2.17	4.96	2.19	5.32	2.24	5.56	2.27
	43.0	4.21	2.19	4.45	2.22	4.69	2.25	4.81	2.27	5.17	2.32	5.41	2.35
	46.0	4.02	2.17	4.23	2.17	4.44	2.17	4.54	2.17	4.85	2.17	5.04	2.17
6.0	22.0	5.60	1.49	6.74	1.94	7.04	1.98	7.19	2.00	7.63	2.06	7.92	2.09
	25.0	5.60	1.62	6.56	2.01	6.86	2.05	7.01	2.07	7.45	2.12	7.75	2.16
	32.0	5.60	1.98	6.15	2.19	6.44	2.22	6.59	2.24	7.03	2.30	7.33	2.33
	35.0	5.60	2.18	5.97	2.27	6.26	2.30	6.41	2.32	6.85	2.38	7.15	2.42
	40.0	5.37	2.37	5.67	2.41	5.96	2.45	6.11	2.46	6.55	2.52	6.85	2.56
	43.0	5.19	2.46	5.49	2.50	5.78	2.54	5.93	2.56	6.38	2.61	6.67	2.65
	46.0	4.76	2.17	5.00	2.17	5.23	2.17	5.34	2.17	5.67	2.17	5.88	2.17
7.1	22.0	5.94	1.65	7.29	2.25	7.85	2.44	8.02	2.46	8.51	2.53	8.84	2.58
	25.0	5.94	1.78	7.29	2.46	7.65	2.53	7.82	2.55	8.31	2.62	8.64	2.66
	32.0	5.94	2.18	6.86	2.70	7.19	2.74	7.35	2.76	7.84	2.83	8.17	2.88
	35.0	5.94	2.40	6.66	2.79	6.99	2.84	7.15	2.86	7.64	2.93	7.97	2.98
	40.0	5.94	2.86	6.32	2.97	6.65	3.02	6.82	3.04	7.31	3.11	7.64	3.15
	43.0	5.72	2.75	6.01	2.75	6.30	2.75	6.44	2.75	6.85	2.75	7.12	2.75
	46.0	5.13	2.17	5.36	2.17	5.57	2.17	5.68	2.17	6.02	2.17	6.23	2.17

3D050147-1B-A

SYMBOLS

TC : Total cooling capacity (kW)
PI : Power input (kW)

NOTES

Capacities are based on following conditions
Corresponding refrigerant piping length: 7.5 m
Level difference: 0 m
The above is the value for connecting with the following indoor units.
2.0, 2.5, 3.5, 5.0kW class; wall mounted D series
6.0, 7.1kW class; wall mounted B series

5 Capacity tables

5 - 2 Cooling capacity tables

5

4MK575E

Cooling [50Hz 230V]

Combination (Capacity)	Outdoor air temp. °CDB	Indoor air temp.: °CWB											
		14°C		16°C		18°C		19°C		22°C		24°C	
		TC kW	PI kW	TC kW	PI kW	TC kW	PI kW	TC kW	PI kW	TC kW	PI kW	TC kW	PI kW
2.0+2.0	22.0	5.19	1.36	5.43	1.39	5.67	1.42	5.78	1.43	6.14	1.47	6.38	1.50
	25.0	5.05	1.41	5.28	1.44	5.52	1.47	5.64	1.48	6.00	1.52	6.23	1.55
	32.0	4.71	1.54	4.95	1.56	5.19	1.59	5.30	1.60	5.66	1.64	5.90	1.67
	35.0	4.57	1.60	4.80	1.62	5.04	1.65	5.16	1.66	5.52	1.70	5.75	1.73
	40.0	4.33	1.70	4.56	1.72	4.80	1.75	4.92	1.76	5.28	1.80	5.51	1.83
	43.0	4.18	1.76	4.42	1.79	4.66	1.82	4.78	1.83	5.13	1.87	5.37	1.89
	46.0	4.04	1.83	4.27	1.86	4.51	1.88	4.63	1.90	4.99	1.94	5.23	1.96
2.0+2.5	22.0	5.26	1.39	5.93	1.60	6.19	1.63	6.32	1.65	6.71	1.69	6.97	1.72
	25.0	5.26	1.50	5.78	1.66	6.04	1.69	6.17	1.70	6.55	1.75	6.81	1.78
	32.0	5.15	1.77	5.41	1.80	5.67	1.83	5.80	1.85	6.19	1.89	6.45	1.92
	35.0	4.99	1.84	5.25	1.87	5.51	1.90	5.64	1.91	6.03	1.96	6.29	1.99
	40.0	4.73	1.95	4.99	1.98	5.25	2.01	5.38	2.03	5.77	2.08	6.03	2.11
	43.0	4.57	2.03	4.83	2.06	5.09	2.09	5.22	2.10	5.61	2.15	5.87	2.18
	46.0	4.41	2.10	4.67	2.14	4.93	2.17	5.05	2.17	5.39	2.17	5.61	2.17
2.0+3.5	22.0	5.63	1.64	6.54	2.01	6.83	2.05	6.97	2.07	7.40	2.13	7.69	2.16
	25.0	5.63	1.77	6.37	2.08	6.66	2.12	6.80	2.14	7.23	2.20	7.52	2.24
	32.0	5.63	2.19	5.96	2.26	6.25	2.30	6.39	2.32	6.82	2.38	7.11	2.42
	35.0	5.50	2.31	5.79	2.34	6.08	2.38	6.22	2.40	6.65	2.46	6.94	2.50
	40.0	5.21	2.45	5.50	2.49	5.79	2.53	5.93	2.55	6.36	2.61	6.65	2.65
	43.0	5.04	2.55	5.33	2.59	5.61	2.62	5.76	2.64	6.19	2.70	6.47	2.74
	46.0	4.61	2.17	4.84	2.17	5.06	2.17	5.17	2.17	5.48	2.17	5.69	2.17
2.0+5.0	22.0	6.96	2.15	7.52	2.34	7.85	2.38	8.02	2.40	8.51	2.47	8.84	2.52
	25.0	6.96	2.35	7.32	2.42	7.65	2.46	7.82	2.49	8.31	2.55	8.64	2.60
	32.0	6.53	2.58	6.86	2.63	7.19	2.67	7.35	2.70	7.84	2.76	8.17	2.81
	35.0	6.33	2.68	6.66	2.73	6.99	2.77	7.15	2.79	7.64	2.86	7.97	2.90
	40.0	5.99	2.85	6.32	2.90	6.65	2.94	6.82	2.96	7.31	3.03	7.64	3.08
	43.0	5.73	2.75	6.03	2.75	6.31	2.75	6.46	2.75	6.87	2.75	7.15	2.75
	46.0	5.13	2.17	5.36	2.17	5.58	2.17	5.70	2.17	6.02	2.17	6.24	2.17
2.0+6.0	22.0	7.47	2.16	7.82	2.20	8.16	2.25	8.33	2.27	8.84	2.33	9.19	2.37
	25.0	7.27	2.24	7.61	2.28	7.95	2.32	8.12	2.34	8.64	2.41	8.98	2.45
	32.0	6.78	2.44	7.12	2.48	7.47	2.52	7.64	2.54	8.15	2.60	8.49	2.65
	35.0	6.57	2.53	6.92	2.57	7.26	2.61	7.43	2.63	7.94	2.70	8.29	2.74
	40.0	6.23	2.69	6.57	2.73	6.91	2.77	7.08	2.79	7.60	2.86	7.94	2.90
	43.0	6.00	2.75	6.32	2.75	6.62	2.75	6.77	2.75	7.22	2.75	7.50	2.75
	46.0	5.30	2.17	5.55	2.17	5.79	2.17	5.91	2.17	6.25	2.17	6.48	2.17
2.0+7.1	22.0	7.91	2.44	8.27	2.49	8.63	2.54	8.81	2.56	9.35	2.63	9.72	2.68
	25.0	7.69	2.53	8.05	2.58	8.41	2.62	8.59	2.65	9.14	2.72	9.50	2.77
	32.0	7.17	2.75	7.54	2.80	7.90	2.85	8.08	2.87	8.62	2.94	8.98	2.99
	35.0	6.95	2.85	7.32	2.90	7.68	2.95	7.86	2.97	8.40	3.04	8.77	3.09
	40.0	6.59	3.04	6.95	3.08	7.31	3.13	7.49	3.16	8.04	3.23	8.40	3.27
	43.0	6.22	2.75	6.53	2.75	6.83	2.75	6.98	2.75	7.41	2.75	7.69	2.75
	46.0	5.51	2.17	5.74	2.17	5.99	2.17	6.11	2.17	6.45	2.17	6.67	2.17

3D050147-1B-B

SYMBOLS

TC : Total cooling capacity (kW)
PI : Power input (kW)

NOTES

Capacities are based on following conditions
Corresponding refrigerant piping length: 7.5 m
Level difference: 0 m
The above is the value for connecting with the following indoor units.
2.0, 2.5, 3.5, 5.0kW class; wall mounted D series
6.0, 7.1kW class; wall mounted B series

5 Capacity tables

5 - 2 Cooling capacity tables

4MKS75E													
Cooling [50Hz 230V]													
Combination (Capacity)	Outdoor air temp. °CDB	Indoor air temp.: °CWB											
		14°C		16°C		18°C		19°C		22°C		24°C	
		TC kW	PI kW	TC kW	PI kW	TC kW	PI kW	TC kW	PI kW	TC kW	PI kW	TC kW	PI kW
2.5+2.5	22.0	5.26	1.33	6.41	1.75	6.69	1.78	6.83	1.80	7.25	1.85	7.53	1.88
	25.0	5.26	1.44	6.24	1.81	6.52	1.85	6.66	1.86	7.08	1.91	7.36	1.95
	32.0	5.26	1.75	5.84	1.97	6.12	2.00	6.26	2.02	6.68	2.07	6.96	2.10
	35.0	5.26	1.92	5.67	2.04	5.95	2.08	6.09	2.09	6.51	2.14	6.79	2.18
	40.0	5.10	2.14	5.39	2.17	5.67	2.20	5.81	2.22	6.23	2.27	6.51	2.30
	43.0	4.93	2.22	5.22	2.25	5.50	2.29	5.64	2.30	6.06	2.35	6.34	2.39
	46.0	4.66	2.17	4.90	2.17	5.14	2.17	5.25	2.17	5.59	2.17	5.81	2.17
2.5+3.5	22.0	5.63	1.63	6.75	2.13	7.05	2.17	7.20	2.19	7.64	2.25	7.94	2.29
	25.0	5.63	1.77	6.57	2.20	6.87	2.24	7.02	2.26	7.46	2.32	7.76	2.37
	32.0	5.63	2.17	6.16	2.39	6.45	2.43	6.60	2.45	7.04	2.52	7.34	2.56
	35.0	5.63	2.40	5.98	2.48	6.27	2.52	6.42	2.54	6.86	2.60	7.16	2.64
	40.0	5.38	2.60	5.68	2.64	5.97	2.68	6.12	2.70	6.56	2.76	6.86	2.80
	43.0	5.20	2.70	5.50	2.74	5.78	2.75	5.92	2.75	6.32	2.75	6.59	2.75
	46.0	4.71	2.17	4.94	2.17	5.16	2.17	5.26	2.17	5.58	2.17	5.79	2.17
2.5+5.0	22.0	6.96	2.15	7.66	2.43	7.99	2.48	8.16	2.50	8.66	2.57	9.00	2.62
	25.0	6.96	2.36	7.45	2.52	7.79	2.56	7.96	2.58	8.46	2.65	8.80	2.70
	32.0	6.64	2.69	6.98	2.73	7.32	2.78	7.48	2.80	7.99	2.87	8.32	2.92
	35.0	6.44	2.79	6.78	2.83	7.11	2.88	7.26	2.90	7.78	2.97	8.12	3.02
	40.0	6.10	2.97	6.44	3.01	6.77	3.06	6.94	3.08	7.44	3.15	7.78	3.20
	43.0	5.81	2.75	6.11	2.75	6.39	2.75	6.54	2.75	6.95	2.75	7.22	2.75
	46.0	5.20	2.17	5.42	2.17	5.66	2.17	5.77	2.17	6.10	2.17	6.31	2.17
2.5+6.0	22.0	7.66	2.29	8.02	2.34	8.37	2.38	8.54	2.40	9.07	2.47	9.42	2.52
	25.0	7.45	2.38	7.80	2.42	8.15	2.46	8.33	2.49	8.86	2.55	9.21	2.60
	32.0	6.96	2.58	7.31	2.63	7.66	2.67	7.83	2.70	8.36	2.76	8.71	2.81
	35.0	6.74	2.68	7.09	2.73	7.44	2.77	7.62	2.78	8.15	2.86	8.50	2.90
	40.0	6.39	2.85	6.74	2.90	7.09	2.94	7.27	2.96	7.79	3.03	8.14	3.08
	43.0	6.08	2.75	6.39	2.75	6.70	2.75	6.85	2.75	7.28	2.75	7.57	2.75
	46.0	5.39	2.17	5.63	2.17	5.87	2.17	5.98	2.17	6.33	2.17	6.55	2.17
2.5+7.1	22.0	8.03	2.53	8.39	2.58	8.76	2.63	8.95	2.65	9.50	2.73	9.87	2.78
	25.0	7.80	2.62	8.17	2.67	8.54	2.72	8.72	2.75	9.27	2.82	9.64	2.87
	32.0	7.28	2.85	7.65	2.90	8.02	2.95	8.20	2.98	8.75	3.05	9.12	3.10
	35.0	7.06	2.96	7.43	3.01	7.80	3.06	7.98	3.08	8.53	3.16	8.90	3.21
	40.0	6.69	3.15	7.06	3.20	7.42	3.25	7.61	3.27	8.15	3.34	8.50	3.34
	43.0	6.30	2.75	6.60	2.75	6.90	2.75	7.05	2.75	7.48	2.75	7.76	2.75
	46.0	5.59	2.17	5.83	2.17	6.06	2.17	6.17	2.17	6.51	2.17	6.73	2.17
3.5+3.5	22.0	6.00	1.87	7.37	2.60	7.84	2.76	8.00	2.78	8.50	2.86	8.83	2.91
	25.0	6.00	2.03	7.31	2.80	7.64	2.85	7.80	2.88	8.30	2.96	8.63	3.01
	32.0	6.00	2.50	6.85	3.04	7.17	3.10	7.34	3.12	7.83	3.20	8.16	3.25
	35.0	6.00	2.76	6.65	3.16	6.98	3.21	7.14	3.23	7.63	3.31	7.96	3.36
	40.0	5.99	3.30	6.31	3.34	6.64	3.34	6.81	3.34	7.29	3.34	7.60	3.34
	43.0	5.74	2.75	6.02	2.75	6.29	2.75	6.42	2.75	6.82	2.75	7.08	2.75
	46.0	5.18	2.17	5.40	2.17	5.62	2.17	5.72	2.17	6.03	2.17	6.24	2.17

3D050147-2B-A

SYMBOLS

TC : Total cooling capacity (kW)
 PI : Power input (kW)

NOTES

Capacities are based on following conditions
 Corresponding refrigerant piping length: 7.5 m
 Level difference: 0 m
 The above is the value for connecting with the following indoor units.
 2.0, 2.5, 3.5, 5.0kW class; wall mounted D series
 6.0, 7.1kW class; wall mounted B series

5 Capacity tables

5 - 2 Cooling capacity tables

5

4MKS75E

Cooling [50Hz 230V]

Combination (Capacity)	Outdoor air temp. °CDB	Indoor air temp.: °CWB											
		14°C		16°C		18°C		19°C		22°C		24°C	
		TC kW	PI kW	TC kW	PI kW	TC kW	PI kW	TC kW	PI kW	TC kW	PI kW	TC kW	PI kW
3.5+5.0	22.0	7.33	2.38	8.03	2.66	8.38	2.72	8.55	2.74	9.08	2.82	9.43	2.87
	25.0	7.33	2.61	7.81	2.76	8.16	2.81	8.34	2.83	8.87	2.91	9.22	2.96
	32.0	6.96	2.95	7.32	3.00	7.67	3.05	7.84	3.07	8.37	3.15	8.72	3.20
	35.0	6.75	3.06	7.10	3.11	7.45	3.16	7.63	3.18	8.16	3.26	8.51	3.31
	40.0	6.40	3.25	6.75	3.30	7.10	3.34	7.27	3.34	7.77	3.34	8.10	3.34
	43.0	6.07	2.75	6.36	2.75	6.65	2.75	6.79	2.75	7.20	2.75	7.47	2.75
	46.0	5.43	2.17	5.66	2.17	5.89	2.17	6.00	2.17	6.32	2.17	6.53	2.17
3.5+6.0	22.0	7.98	2.56	8.34	2.61	8.71	2.66	8.89	2.69	9.44	2.76	9.80	2.81
	25.0	7.76	2.66	8.12	2.71	8.49	2.76	8.67	2.78	9.22	2.86	9.58	2.91
	32.0	7.24	2.89	7.60	2.94	7.97	2.99	8.15	3.01	8.70	3.09	9.06	3.14
	35.0	7.02	3.00	7.38	3.05	7.75	3.10	7.93	3.12	8.48	3.20	8.84	3.25
	40.0	6.65	3.19	7.01	3.24	7.38	3.29	7.56	3.31	8.09	3.34	8.43	3.34
	43.0	6.26	2.75	6.57	2.75	6.86	2.75	7.01	2.75	7.44	2.75	7.71	2.75
	46.0	5.56	2.17	5.79	2.17	6.03	2.17	6.14	2.17	6.48	2.17	6.70	2.17
3.5+7.1	22.0	8.28	2.70	8.66	2.76	9.04	2.81	9.23	2.84	9.80	2.91	10.17	2.97
	25.0	8.05	2.80	8.43	2.85	8.81	2.91	9.00	2.93	9.57	3.01	9.94	3.06
	32.0	7.51	3.05	7.89	3.10	8.27	3.15	8.46	3.18	9.03	3.26	9.41	3.31
	35.0	7.28	3.16	7.66	3.21	8.04	3.27	8.23	3.29	8.80	3.37	9.18	3.43
	40.0	6.90	3.34	7.27	3.34	7.63	3.34	7.81	3.34	8.33	3.34	8.67	3.34
	43.0	6.48	2.75	6.78	2.75	7.07	2.75	7.21	2.75	7.64	2.75	7.92	2.75
	46.0	5.75	2.17	5.99	2.17	6.22	2.17	6.33	2.17	6.67	2.17	6.89	2.17
5.0+5.0	22.0	8.13	2.69	8.50	2.74	8.87	2.79	9.06	2.82	9.62	2.90	9.99	2.95
	25.0	7.90	2.78	8.27	2.84	8.65	2.89	8.83	2.91	9.39	2.99	9.76	3.05
	32.0	7.38	3.03	7.75	3.08	8.12	3.13	8.31	3.16	8.86	3.24	9.24	3.29
	35.0	7.15	3.14	7.52	3.19	7.89	3.25	8.08	3.27	8.64	3.35	9.01	3.40
	40.0	6.77	3.34	7.14	3.34	7.50	3.34	7.67	3.34	8.19	3.34	8.53	3.34
	43.0	6.38	2.75	6.68	2.75	6.96	2.75	7.12	2.75	7.53	2.75	7.82	2.75
	46.0	5.67	2.17	5.91	2.17	6.14	2.17	6.25	2.17	6.59	2.17	6.80	2.17
5.0+6.0	22.0	8.36	2.82	8.74	2.87	9.12	2.93	9.32	2.96	9.89	3.04	10.27	3.09
	25.0	8.13	2.92	8.51	2.97	8.89	3.03	9.08	3.06	9.66	3.14	10.04	3.19
	32.0	7.59	3.18	7.97	3.23	8.35	3.29	8.54	3.31	9.12	3.40	9.50	3.45
	35.0	7.35	3.30	7.74	3.35	8.12	3.41	8.31	3.43	8.88	3.52	9.27	3.57
	40.0	6.97	3.34	7.33	3.34	7.69	3.34	7.87	3.34	8.39	3.34	8.72	3.34
	43.0	6.56	2.75	6.86	2.75	7.15	2.75	7.30	2.75	7.72	2.75	8.00	2.75
	46.0	5.83	2.17	6.06	2.17	6.29	2.17	6.41	2.17	6.74	2.17	6.96	2.17
5.0+7.1	22.0	8.52	2.91	8.91	2.97	9.30	3.02	9.50	3.05	10.08	3.14	10.47	3.19
	25.0	8.28	3.01	8.67	3.07	9.06	3.13	9.26	3.16	9.84	3.24	10.23	3.30
	32.0	7.73	3.28	8.12	3.34	8.51	3.39	8.71	3.42	9.29	3.51	9.68	3.56
	35.0	7.49	3.40	7.88	3.46	8.27	3.52	8.47	3.54	9.06	3.63	9.45	3.69
	40.0	7.10	3.34	7.48	3.34	7.84	3.34	8.01	3.34	8.53	3.34	8.87	3.34
	43.0	6.69	2.75	6.99	2.75	7.28	2.75	7.43	2.75	7.85	2.75	8.13	2.75
	46.0	5.94	2.17	6.18	2.17	6.41	2.17	6.52	2.17	6.85	2.17	7.07	2.17

3D050147-2B-B

SYMBOLS

TC : Total cooling capacity (kW)
PI : Power input (kW)

NOTES

Capacities are based on following conditions
Corresponding refrigerant piping length: 7.5 m
Level difference: 0 m
The above is the value for connecting with the following indoor units.
2.0, 2.5, 3.5, 5.0kW class; wall mounted D series
6.0, 7.1kW class; wall mounted B series

5 Capacity tables

5 - 2 Cooling capacity tables

4MKS75E													
Cooling [50Hz 230V]													
Combination (Capacity)	Outdoor air temp. °CDB	Indoor air temp.: °CWB											
		14°C		16°C		18°C		19°C		22°C		24°C	
		TC kW	PI kW	TC kW	PI kW	TC kW	PI kW	TC kW	PI kW	TC kW	PI kW	TC kW	PI kW
6.0+6.0	22.0	8.52	2.59	8.91	2.64	9.30	2.69	9.50	2.71	10.08	2.79	10.47	2.84
	25.0	8.28	2.68	8.67	2.73	9.06	2.78	9.26	2.81	9.84	2.88	10.23	2.93
	32.0	7.73	2.92	8.12	2.97	8.51	3.02	8.71	3.04	9.29	3.12	9.68	3.17
	35.0	7.49	3.03	7.88	3.08	8.27	3.13	8.47	3.15	9.06	3.23	9.45	3.28
	40.0	7.10	3.22	7.49	3.27	7.88	3.32	8.07	3.34	8.61	3.34	8.97	3.34
	43.0	6.63	2.75	6.94	2.75	7.25	2.75	7.40	2.75	7.85	2.75	8.14	2.75
	46.0	5.84	2.17	6.09	2.17	6.33	2.17	6.44	2.17	6.80	2.17	7.02	2.17
6.0+7.1	22.0	8.62	2.61	9.02	2.66	9.41	2.72	9.61	2.74	10.20	2.82	10.59	2.87
	25.0	8.38	2.71	8.78	2.76	9.17	2.81	9.37	2.83	9.96	2.91	10.36	2.96
	32.0	7.82	2.95	8.22	3.00	8.61	3.05	8.81	3.07	9.40	3.15	9.80	3.20
	35.0	7.58	3.06	7.98	3.11	8.37	3.16	8.57	3.18	9.16	3.26	9.56	3.31
	40.0	7.18	3.25	7.58	3.30	7.97	3.34	8.15	3.34	8.70	3.34	9.05	3.34
	43.0	6.69	2.75	7.01	2.75	7.32	2.75	7.47	2.75	7.92	2.75	8.21	2.75
	46.0	5.90	2.17	6.14	2.17	6.38	2.17	6.49	2.17	6.84	2.17	7.07	2.17
2.0+2.0+2.0	22.0	6.75	1.71	7.06	1.74	7.37	1.78	7.52	1.79	7.99	1.84	8.30	1.88
	25.0	6.56	1.77	6.87	1.80	7.18	1.84	7.33	1.85	7.80	1.90	8.11	1.94
	32.0	6.12	1.93	6.43	1.96	6.74	1.99	6.90	2.01	7.36	2.06	7.67	2.09
	35.0	5.94	2.00	6.25	2.03	6.56	2.07	6.71	2.08	7.17	2.13	7.48	2.17
	40.0	5.62	2.13	5.93	2.16	6.24	2.19	6.40	2.21	6.86	2.26	7.17	2.29
	43.0	5.44	2.21	5.75	2.24	6.06	2.27	6.21	2.29	6.67	2.34	6.98	2.37
	46.0	5.13	2.17	5.39	2.17	5.65	2.17	5.77	2.17	6.14	2.17	6.38	2.17
2.0+2.0+2.5	22.0	7.06	1.88	7.38	1.92	7.71	1.96	7.87	1.97	8.36	2.03	8.68	2.07
	25.0	6.87	1.95	7.19	1.99	7.51	2.02	7.67	2.04	8.16	2.10	8.48	2.13
	32.0	6.41	2.12	6.73	2.16	7.05	2.19	7.22	2.21	7.70	2.27	8.02	2.30
	35.0	6.21	2.20	6.53	2.24	6.86	2.27	7.02	2.29	7.51	2.35	7.83	2.38
	40.0	5.88	2.34	6.21	2.38	6.53	2.41	6.69	2.43	7.18	2.49	7.50	2.52
	43.0	5.69	2.43	6.01	2.47	6.34	2.50	6.50	2.52	6.98	2.58	7.31	2.61
	46.0	5.19	2.17	5.44	2.17	5.69	2.17	5.81	2.17	6.17	2.17	6.40	2.17
2.0+2.0+3.5	22.0	7.49	2.12	7.84	2.16	8.18	2.20	8.35	2.22	8.87	2.29	9.21	2.33
	25.0	7.29	2.20	7.63	2.24	7.97	2.28	8.14	2.30	8.66	2.36	9.00	2.40
	32.0	6.80	2.39	7.14	2.43	7.49	2.47	7.66	2.49	8.17	2.56	8.52	2.60
	35.0	6.59	2.48	6.94	2.52	7.28	2.56	7.45	2.58	7.96	2.64	8.31	2.69
	40.0	6.25	2.64	6.59	2.68	6.93	2.72	7.10	2.74	7.62	2.80	7.96	2.84
	43.0	6.04	2.74	6.36	2.75	6.67	2.75	6.83	2.75	7.27	2.75	7.57	2.75
	46.0	5.33	2.17	5.58	2.17	5.82	2.17	5.94	2.17	6.29	2.17	6.52	2.17
2.0+2.0+5.0	22.0	8.04	2.47	8.41	2.51	8.77	2.56	8.96	2.59	9.51	2.66	9.88	2.71
	25.0	7.81	2.55	8.18	2.60	8.55	2.65	8.73	2.67	9.29	2.75	9.65	2.79
	32.0	7.29	2.78	7.66	2.83	8.03	2.87	8.21	2.90	8.77	2.97	9.13	3.02
	35.0	7.07	2.88	7.44	2.93	7.81	2.98	7.99	3.00	8.54	3.08	8.91	3.12
	40.0	6.70	3.07	7.07	3.12	7.43	3.16	7.62	3.19	8.17	3.26	8.54	3.31
	43.0	6.31	2.75	6.62	2.75	6.92	2.75	7.07	2.75	7.51	2.75	7.79	2.75
	46.0	5.58	2.17	5.83	2.17	6.06	2.17	6.18	2.17	6.52	2.17	6.75	2.17

3D050147-3B-A

SYMBOLS

TC : Total cooling capacity (kW)
 PI : Power input (kW)

NOTES

Capacities are based on following conditions
 Corresponding refrigerant piping length: 7.5 m
 Level difference: 0 m
 The above is the value for connecting with the following indoor units.
 2.0, 2.5, 3.5, 5.0kW class; wall mounted D series
 6.0, 7.1kW class; wall mounted B series

5 Capacity tables

5 - 2 Cooling capacity tables

5

4MK575E

Cooling [50Hz 230V]

Combination (Capacity)	Outdoor air temp. °CDB	Indoor air temp.: °CWB											
		14°C		16°C		18°C		19°C		22°C		24°C	
		TC kW	PI kW	TC kW	PI kW	TC kW	PI kW	TC kW	PI kW	TC kW	PI kW	TC kW	PI kW
2.0+2.0+6.0	22.0	8.40	2.38	8.78	2.42	9.17	2.47	9.36	2.49	9.94	2.56	10.32	2.61
	25.0	8.17	2.46	8.55	2.51	8.94	2.55	9.13	2.58	9.70	2.65	10.09	2.69
	32.0	7.62	2.68	8.01	2.72	8.39	2.77	8.58	2.79	9.16	2.86	9.55	2.91
	35.0	7.39	2.78	7.77	2.82	8.16	2.87	8.35	2.89	8.93	2.96	9.31	3.01
	40.0	7.00	2.95	7.38	3.00	7.77	3.05	7.96	3.07	8.54	3.14	8.92	3.19
	43.0	6.59	2.75	6.92	2.75	7.24	2.75	7.39	2.75	7.85	2.75	8.15	2.75
	46.0	5.77	2.17	6.03	2.17	6.28	2.17	6.40	2.17	6.76	2.17	7.00	2.17
2.0+2.0+7.1	22.0	8.70	2.55	9.10	2.60	9.50	2.65	9.70	2.67	10.29	2.75	10.69	2.80
	25.0	8.46	2.64	8.86	2.69	9.26	2.74	9.46	2.76	10.05	2.84	10.45	2.89
	32.0	7.90	2.87	8.29	2.92	8.69	2.97	8.89	3.00	9.49	3.07	9.89	3.12
	35.0	7.65	2.98	8.05	3.03	8.45	3.08	8.65	3.10	9.25	3.18	9.65	3.23
	40.0	7.25	3.17	7.65	3.22	8.05	3.27	8.25	3.29	8.82	3.34	9.19	3.34
	43.0	6.75	2.75	7.07	2.75	7.39	2.75	7.55	2.75	8.00	2.75	8.30	2.75
	46.0	5.92	2.17	6.18	2.17	6.41	2.17	6.52	2.17	6.90	2.17	7.14	2.17
2.0+2.5+2.5	22.0	7.28	2.01	7.62	2.04	7.95	2.08	8.12	2.10	8.62	2.16	8.95	2.20
	25.0	7.08	2.08	7.41	2.12	7.75	2.16	7.91	2.17	8.41	2.23	8.75	2.27
	32.0	6.61	2.26	6.94	2.30	7.28	2.34	7.44	2.36	7.94	2.42	8.28	2.46
	35.0	6.41	2.34	6.74	2.38	7.07	2.42	7.24	2.44	7.74	2.50	8.07	2.54
	40.0	6.07	2.49	6.40	2.53	6.74	2.57	6.90	2.59	7.40	2.65	7.74	2.69
	43.0	5.87	2.59	6.20	2.63	6.53	2.67	6.70	2.69	7.20	2.75	7.50	2.75
	46.0	5.25	2.17	5.50	2.17	5.75	2.17	5.87	2.17	6.22	2.17	6.45	2.17
2.0+2.5+3.5	22.0	7.70	2.24	8.05	2.29	8.40	2.33	8.58	2.35	9.10	2.42	9.46	2.46
	25.0	7.48	2.32	7.83	2.37	8.19	2.41	8.36	2.43	8.89	2.50	9.24	2.54
	32.0	6.98	2.53	7.34	2.57	7.69	2.62	7.86	2.64	8.39	2.70	8.74	2.75
	35.0	6.77	2.62	7.12	2.67	7.47	2.71	7.65	2.73	8.18	2.80	8.53	2.84
	40.0	6.41	2.79	6.77	2.84	7.12	2.88	7.29	2.90	7.82	2.97	8.17	3.01
	43.0	6.13	2.75	6.44	2.75	6.75	2.75	6.90	2.75	7.35	2.75	7.63	2.75
	46.0	5.41	2.17	5.66	2.17	5.90	2.17	6.02	2.17	6.36	2.17	6.59	2.17
2.0+2.5+5.0	22.0	8.25	2.62	8.63	2.67	9.00	2.72	9.19	2.75	9.76	2.83	10.14	2.88
	25.0	8.02	2.72	8.40	2.77	8.77	2.82	8.96	2.84	9.53	2.92	9.91	2.97
	32.0	7.48	2.95	7.86	3.01	8.24	3.06	8.43	3.08	9.00	3.16	9.37	3.21
	35.0	7.26	3.07	7.63	3.12	8.01	3.17	8.20	3.19	8.77	3.27	9.14	3.32
	40.0	6.87	3.26	7.25	3.31	7.62	3.34	7.80	3.34	8.33	3.34	8.67	3.34
	43.0	6.45	2.75	6.75	2.75	7.05	2.75	7.20	2.75	7.64	2.75	7.92	2.75
	46.0	5.71	2.17	5.95	2.17	6.19	2.17	6.30	2.17	6.64	2.17	6.86	2.17
2.0+2.5+6.0	22.0	8.60	2.44	8.99	2.49	9.39	2.54	9.59	2.56	10.18	2.63	10.57	2.68
	25.0	8.36	2.53	8.76	2.58	9.15	2.62	9.35	2.65	9.94	2.72	10.33	2.77
	32.0	7.80	2.75	8.20	2.80	8.59	2.85	8.79	2.87	9.38	2.94	9.77	2.99
	35.0	7.57	2.85	7.96	2.90	8.35	2.95	8.55	2.97	9.14	3.04	9.53	3.09
	40.0	7.17	3.04	7.56	3.08	7.95	3.13	8.15	3.16	8.74	3.23	9.14	3.27
	43.0	6.71	2.75	7.04	2.75	7.36	2.75	7.52	2.75	7.98	2.75	8.28	2.75
	46.0	5.87	2.17	6.11	2.17	6.38	2.17	6.50	2.17	6.86	2.17	7.10	2.17

3D050147-3B-B

SYMBOLS

TC : Total cooling capacity (kW)
PI : Power input (kW)

NOTES

Capacities are based on following conditions
Corresponding refrigerant piping length: 7.5 m
Level difference: 0 m
The above is the value for connecting with the following indoor units.
2.0, 2.5, 3.5, 5.0kW class; wall mounted D series
6.0, 7.1kW class; wall mounted B series

5 Capacity tables

5 - 2 Cooling capacity tables

4MKS75E													
Cooling [50Hz 230V]													
Combination (Capacity)	Outdoor air temp. °CDB	Indoor air temp.: °CWB											
		14°C		16°C		18°C		19°C		22°C		24°C	
		TC kW	PI kW	TC kW	PI kW	TC kW	PI kW	TC kW	PI kW	TC kW	PI kW	TC kW	PI kW
2.0+2.5+7.1	22.0	8.77	2.53	9.17	2.58	9.57	2.63	9.78	2.65	10.38	2.73	10.78	2.78
	25.0	8.53	2.62	8.93	2.67	9.33	2.72	9.53	2.75	10.13	2.82	10.54	2.87
	32.0	7.96	2.85	8.36	2.90	8.76	2.95	8.96	2.98	9.57	3.05	9.97	3.10
	35.0	7.72	2.96	8.12	3.01	8.52	3.06	8.72	3.08	9.32	3.16	9.72	3.21
	40.0	7.31	3.15	7.71	3.20	8.11	3.25	8.31	3.27	8.91	3.34	9.27	3.34
	43.0	6.80	2.75	7.13	2.75	7.45	2.75	7.60	2.75	8.07	2.75	8.37	2.75
	46.0	5.97	2.17	6.22	2.17	6.46	2.17	6.58	2.17	6.95	2.17	7.18	2.17
2.0+3.5+3.5	22.0	8.07	2.45	8.44	2.50	8.81	2.54	8.99	2.57	9.55	2.64	9.91	2.69
	25.0	7.84	2.54	8.21	2.58	8.58	2.63	8.77	2.66	9.32	2.73	9.69	2.78
	32.0	7.32	2.76	7.69	2.81	8.06	2.86	8.24	2.88	8.80	2.95	9.17	3.00
	35.0	7.10	2.86	7.47	2.91	7.84	2.96	8.02	2.98	8.57	3.05	8.94	3.10
	40.0	6.72	3.05	7.09	3.09	7.46	3.14	7.65	3.17	8.20	3.24	8.57	3.29
	43.0	6.33	2.75	6.64	2.75	6.95	2.75	7.10	2.75	7.54	2.75	7.83	2.75
	46.0	5.59	2.17	5.83	2.17	6.08	2.17	6.20	2.17	6.54	2.17	6.77	2.17
2.0+3.5+5.0	22.0	8.60	2.77	8.99	2.82	9.39	2.88	9.59	2.90	10.18	2.99	10.57	3.04
	25.0	8.36	2.87	8.76	2.92	9.15	2.98	9.35	3.00	9.94	3.08	10.33	3.14
	32.0	7.80	3.12	8.20	3.18	8.59	3.23	8.79	3.26	9.38	3.34	9.77	3.39
	35.0	7.57	3.24	7.96	3.29	8.35	3.35	8.55	3.37	9.14	3.45	9.53	3.51
	40.0	7.16	3.34	7.53	3.34	7.90	3.34	8.08	3.34	8.62	3.34	8.96	3.34
	43.0	6.72	2.75	7.02	2.75	7.32	2.75	7.47	2.75	7.90	2.75	8.18	2.75
	46.0	5.95	2.17	6.19	2.17	6.42	2.17	6.54	2.17	6.88	2.17	7.10	2.17
2.0+3.5+6.0	22.0	8.75	2.55	9.15	2.60	9.55	2.65	9.75	2.67	10.35	2.75	10.76	2.80
	25.0	8.51	2.64	8.91	2.69	9.31	2.74	9.51	2.76	10.11	2.84	10.51	2.89
	32.0	7.94	2.87	8.34	2.92	8.74	2.97	8.94	3.00	9.54	3.07	9.95	3.12
	35.0	7.70	2.98	8.10	3.03	8.50	3.08	8.70	3.10	9.30	3.18	9.70	3.23
	40.0	7.29	3.17	7.69	3.22	8.09	3.27	8.29	3.29	8.87	3.34	9.24	3.34
	43.0	6.79	2.75	7.11	2.75	7.43	2.75	7.58	2.75	8.04	2.75	8.34	2.75
	46.0	5.96	2.17	6.21	2.17	6.44	2.17	6.56	2.17	6.93	2.17	7.17	2.17
2.0+3.5+7.1	22.0	8.97	2.66	9.38	2.71	9.79	2.77	10.00	2.79	10.62	2.87	11.03	2.92
	25.0	8.72	2.76	9.13	2.81	9.55	2.86	9.75	2.89	10.37	2.97	10.78	3.02
	32.0	8.14	3.00	8.55	3.05	8.96	3.10	9.17	3.13	9.79	3.21	10.20	3.26
	35.0	7.89	3.11	8.30	3.17	8.71	3.22	8.92	3.24	9.54	3.32	9.95	3.37
	40.0	7.48	3.31	7.88	3.34	8.26	3.34	8.45	3.34	9.01	3.34	9.37	3.34
	43.0	6.91	2.75	7.24	2.75	7.54	2.75	7.71	2.75	8.17	2.75	8.47	2.75
	46.0	6.09	2.17	6.34	2.17	6.58	2.17	6.70	2.17	7.05	2.17	7.28	2.17
2.0+5.0+5.0	22.0	8.88	2.65	9.29	2.71	9.70	2.76	9.90	2.78	10.51	2.86	10.92	2.91
	25.0	8.64	2.75	9.04	2.80	9.45	2.85	9.65	2.88	10.26	2.96	10.67	3.01
	32.0	8.06	2.99	8.47	3.04	8.87	3.10	9.08	3.12	9.69	3.20	10.09	3.25
	35.0	7.81	3.10	8.22	3.16	8.63	3.21	8.83	3.23	9.44	3.31	9.85	3.36
	40.0	7.38	3.30	7.80	3.34	8.19	3.34	8.37	3.34	8.93	3.34	9.29	3.34
	43.0	6.87	2.75	7.18	2.75	7.48	2.75	7.64	2.75	8.07	2.75	8.40	2.75
	46.0	6.06	2.17	6.30	2.17	6.54	2.17	6.66	2.17	7.01	2.17	7.24	2.17

3D050147-4B-A

SYMBOLS

TC : Total cooling capacity (kW)
PI : Power input (kW)

NOTES

Capacities are based on following conditions
Corresponding refrigerant piping length: 7.5 m
Level difference: 0 m
The above is the value for connecting with the following indoor units.
2.0, 2.5, 3.5, 5.0kW class; wall mounted D series
6.0, 7.1kW class; wall mounted B series

5 Capacity tables

5 - 2 Cooling capacity tables

5

4MKS75E

Cooling [50Hz 230V]

Combination (Capacity)	Outdoor air temp. °CDB	Indoor air temp.: °CWB											
		14°C		16°C		18°C		19°C		22°C		24°C	
		TC kW	PI kW	TC kW	PI kW	TC kW	PI kW	TC kW	PI kW	TC kW	PI kW	TC kW	PI kW
2.0+5.0+6.0	22.0	9.01	2.69	9.43	2.74	9.84	2.79	10.04	2.82	10.66	2.90	11.08	2.95
	25.0	8.76	2.78	9.18	2.84	9.59	2.89	9.79	2.91	10.41	2.99	10.83	3.05
	32.0	8.18	3.03	8.59	3.08	9.00	3.13	9.21	3.16	9.83	3.24	10.24	3.29
	35.0	7.93	3.14	8.34	3.19	8.75	3.25	8.96	3.27	9.58	3.35	9.99	3.40
	40.0	7.49	3.34	7.87	3.34	8.24	3.34	8.48	3.34	9.04	3.34	9.40	3.34
	43.0	6.97	2.75	7.28	2.75	7.59	2.75	7.74	2.75	8.18	2.75	8.46	2.75
	46.0	6.14	2.17	6.39	2.17	6.63	2.17	6.75	2.17	7.09	2.17	7.32	2.17
2.5+2.5+2.5	22.0	7.49	2.12	7.84	2.16	8.18	2.20	8.35	2.22	8.87	2.29	9.21	2.33
	25.0	7.29	2.20	7.63	2.24	7.97	2.28	8.14	2.30	8.66	2.36	9.00	2.40
	32.0	6.80	2.39	7.14	2.43	7.49	2.47	7.66	2.49	8.17	2.56	8.52	2.60
	35.0	6.59	2.48	6.94	2.52	7.28	2.56	7.45	2.59	7.96	2.64	8.31	2.69
	40.0	6.25	2.64	6.59	2.68	6.93	2.72	7.10	2.74	7.62	2.80	7.96	2.84
	43.0	6.04	2.74	6.36	2.75	6.67	2.75	6.83	2.75	7.27	2.75	7.57	2.75
	46.0	5.33	2.17	5.58	2.17	5.82	2.17	5.94	2.17	6.29	2.17	6.52	2.17
2.5+2.5+3.5	22.0	7.90	2.37	8.26	2.41	8.62	2.46	8.80	2.48	9.34	2.55	9.70	2.60
	25.0	7.68	2.45	8.04	2.50	8.40	2.54	8.58	2.57	9.12	2.64	9.49	2.68
	32.0	7.17	2.67	7.53	2.71	7.89	2.76	8.07	2.78	8.61	2.85	8.97	2.90
	35.0	6.95	2.77	7.31	2.81	7.67	2.86	7.85	2.88	8.39	2.95	8.75	3.00
	40.0	6.58	2.94	6.94	2.99	7.30	3.04	7.48	3.06	8.03	3.13	8.39	3.18
	43.0	6.23	2.75	6.54	2.75	6.85	2.75	7.00	2.75	7.44	2.75	7.72	2.75
	46.0	5.51	2.17	5.75	2.17	5.99	2.17	6.11	2.17	6.45	2.17	6.68	2.17
2.5+2.5+5.0	22.0	8.39	2.70	8.77	2.75	9.16	2.80	9.35	2.83	9.93	2.91	10.31	2.96
	25.0	8.16	2.79	8.54	2.84	8.92	2.90	9.12	2.92	9.69	3.00	10.08	3.05
	32.0	7.61	3.04	8.00	3.09	8.38	3.14	8.57	3.17	9.15	3.25	9.53	3.30
	35.0	7.38	3.15	7.76	3.20	8.15	3.26	8.34	3.28	8.92	3.36	9.30	3.41
	40.0	6.99	3.34	7.36	3.34	7.73	3.34	7.91	3.34	8.44	3.34	8.78	3.34
	43.0	6.55	2.75	6.85	2.75	7.14	2.75	7.30	2.75	7.72	2.75	8.02	2.75
	46.0	5.80	2.17	6.04	2.17	6.28	2.17	6.39	2.17	6.73	2.17	6.95	2.17
2.5+2.5+6.0	22.0	8.66	2.52	9.06	2.57	9.45	2.62	9.65	2.65	10.25	2.72	10.64	2.77
	25.0	8.42	2.61	8.82	2.66	9.21	2.71	9.41	2.74	10.01	2.81	10.40	2.86
	32.0	7.86	2.84	8.26	2.89	8.65	2.94	8.85	2.97	9.45	3.04	9.84	3.09
	35.0	7.62	2.95	8.01	3.00	8.41	3.05	8.61	3.07	9.21	3.15	9.60	3.20
	40.0	7.22	3.14	7.61	3.19	8.01	3.24	8.21	3.26	8.80	3.34	9.17	3.34
	43.0	6.73	2.75	7.05	2.75	7.37	2.75	7.52	2.75	7.98	2.75	8.28	2.75
	46.0	5.91	2.17	6.16	2.17	6.40	2.17	6.52	2.17	6.88	2.17	7.12	2.17
2.5+2.5+7.1	22.0	8.89	2.61	9.30	2.66	9.71	2.71	9.91	2.73	10.52	2.81	10.93	2.86
	25.0	8.65	2.70	9.05	2.75	9.46	2.80	9.66	2.83	10.27	2.90	10.68	2.95
	32.0	8.07	2.94	8.48	2.99	8.88	3.04	9.09	3.06	9.70	3.14	10.11	3.19
	35.0	7.82	3.05	8.23	3.10	8.64	3.15	8.84	3.17	9.45	3.25	9.86	3.30
	40.0	7.41	3.24	7.82	3.29	8.22	3.34	8.41	3.34	8.97	3.34	9.33	3.34
	43.0	6.86	2.75	7.20	2.75	7.51	2.75	7.67	2.75	8.13	2.75	8.43	2.75
	46.0	6.04	2.17	6.29	2.17	6.53	2.17	6.65	2.17	7.01	2.17	7.24	2.17

3D050147-4B-B

SYMBOLS

TC : Total cooling capacity (kW)
PI : Power input (kW)

NOTES

Capacities are based on following conditions
Corresponding refrigerant piping length: 7.5 m
Level difference: 0 m
The above is the value for connecting with the following indoor units.
2.0, 2.5, 3.5, 5.0kW class; wall mounted D series
6.0, 7.1kW class; wall mounted B series

5 Capacity tables

5 - 2 Cooling capacity tables

4MKS75E													
Cooling [50Hz 230V]													
Combination (Capacity)	Outdoor air temp. °CDB	Indoor air temp.: °CWB											
		14°C		16°C		18°C		19°C		22°C		24°C	
		TC kW	PI kW	TC kW	PI kW	TC kW	PI kW	TC kW	PI kW	TC kW	PI kW	TC kW	PI kW
2.5+3.5+3.5	22.0	8.25	2.57	8.63	2.62	9.00	2.67	9.19	2.70	9.76	2.77	10.14	2.82
	25.0	8.02	2.66	8.40	2.71	8.77	2.76	8.96	2.79	9.53	2.87	9.91	2.92
	32.0	7.48	2.90	7.86	2.95	8.24	3.00	8.43	3.02	9.00	3.10	9.37	3.15
	35.0	7.26	3.01	7.63	3.06	8.01	3.11	8.20	3.13	8.77	3.21	9.14	3.26
	40.0	6.87	3.20	7.25	3.25	7.63	3.30	7.82	3.33	8.35	3.34	8.70	3.34
	43.0	6.45	2.75	6.75	2.75	7.06	2.75	7.21	2.75	7.64	2.75	7.93	2.75
	46.0	5.70	2.17	5.94	2.17	6.17	2.17	6.29	2.17	6.63	2.17	6.85	2.17
2.5+3.5+5.0	22.0	8.66	2.79	9.06	2.84	9.45	2.89	9.65	2.92	10.25	3.00	10.64	3.06
	25.0	8.42	2.89	8.82	2.94	9.21	2.99	9.41	3.02	10.01	3.10	10.40	3.16
	32.0	7.86	3.14	8.26	3.19	8.65	3.25	8.85	3.28	9.45	3.36	9.84	3.41
	35.0	7.62	3.26	8.01	3.31	8.41	3.37	8.61	3.39	9.21	3.47	9.60	3.53
	40.0	7.21	3.34	7.59	3.34	7.95	3.34	8.13	3.34	8.67	3.34	9.01	3.34
	43.0	6.77	2.75	7.07	2.75	7.37	2.75	7.51	2.75	7.95	2.75	8.23	2.75
	46.0	6.00	2.17	6.24	2.17	6.47	2.17	6.58	2.17	6.92	2.17	7.14	2.17
2.5+3.5+6.0	22.0	8.87	2.55	9.28	2.60	9.68	2.65	9.89	2.67	10.50	2.75	10.90	2.80
	25.0	8.63	2.64	9.03	2.69	9.44	2.74	9.64	2.76	10.25	2.84	10.66	2.89
	32.0	8.05	2.87	8.46	2.92	8.86	2.97	9.07	3.00	9.68	3.07	10.08	3.12
	35.0	7.80	2.98	8.21	3.03	8.62	3.08	8.82	3.10	9.43	3.18	9.84	3.23
	40.0	7.39	3.17	7.80	3.22	8.21	3.27	8.41	3.29	9.00	3.34	9.36	3.34
	43.0	6.85	2.75	7.16	2.75	7.47	2.75	7.67	2.75	8.14	2.75	8.44	2.75
	46.0	6.03	2.17	6.28	2.17	6.52	2.17	6.64	2.17	6.99	2.17	7.24	2.17
2.5+3.5+7.1	22.0	9.03	2.65	9.45	2.71	9.86	2.76	10.07	2.78	10.69	2.86	11.10	2.91
	25.0	8.78	2.75	9.20	2.80	9.61	2.85	9.82	2.88	10.44	2.96	10.85	3.01
	32.0	8.20	2.99	8.61	3.04	9.02	3.10	9.23	3.12	9.85	3.20	10.27	3.25
	35.0	7.95	3.10	8.36	3.16	8.77	3.21	8.98	3.23	9.60	3.31	10.01	3.36
	40.0	7.53	3.30	7.93	3.34	8.32	3.34	8.51	3.34	9.07	3.34	9.44	3.34
	43.0	6.97	2.75	7.28	2.75	7.58	2.75	7.75	2.75	8.22	2.75	8.52	2.75
	46.0	6.13	2.17	6.38	2.17	6.62	2.17	6.74	2.17	7.09	2.17	7.32	2.17
2.5+5.0+5.0	22.0	8.95	2.81	9.36	2.87	9.77	2.92	9.98	2.95	10.59	3.03	11.00	3.08
	25.0	8.70	2.91	9.11	2.97	9.52	3.02	9.73	3.05	10.34	3.13	10.75	3.19
	32.0	8.12	3.17	8.53	3.22	8.94	3.28	9.15	3.30	9.76	3.39	10.17	3.44
	35.0	7.87	3.29	8.28	3.34	8.69	3.40	8.90	3.42	9.52	3.51	9.93	3.56
	40.0	7.44	3.34	7.82	3.34	8.20	3.34	8.38	3.34	8.93	3.34	9.28	3.34
	43.0	6.92	2.75	7.24	2.75	7.53	2.75	7.70	2.75	8.13	2.75	8.42	2.75
	46.0	6.10	2.17	6.35	2.17	6.59	2.17	6.71	2.17	7.06	2.17	7.28	2.17
2.5+5.0+6.0	22.0	9.08	2.77	9.50	2.82	9.92	2.88	10.12	2.90	10.75	2.99	11.16	3.04
	25.0	8.83	2.87	9.25	2.92	9.66	2.98	9.87	3.00	10.49	3.08	10.91	3.14
	32.0	8.24	3.12	8.66	3.18	9.07	3.23	9.28	3.26	9.91	3.34	10.32	3.39
	35.0	7.99	3.24	8.41	3.29	8.82	3.35	9.03	3.37	9.65	3.45	10.07	3.51
	40.0	7.54	3.34	7.93	3.34	8.30	3.34	8.48	3.34	9.06	3.34	9.42	3.34
	43.0	7.02	2.75	7.34	2.75	7.64	2.75	7.79	2.75	8.24	2.75	8.52	2.75
	46.0	6.19	2.17	6.44	2.17	6.68	2.17	6.79	2.17	7.14	2.17	7.37	2.17

3D050147-5B-A

SYMBOLS

TC : Total cooling capacity (kW)
PI : Power input (kW)

NOTES

Capacities are based on following conditions
Corresponding refrigerant piping length: 7.5 m
Level difference: 0 m
The above is the value for connecting with the following indoor units.
2.0, 2.5, 3.5, 5.0kW class; wall mounted D series
6.0, 7.1kW class; wall mounted B series

5 Capacity tables

5 - 2 Cooling capacity tables

5

4MKS75E

Cooling [50Hz 230V]

Combination (Capacity)	Outdoor air temp. °CDB	Indoor air temp.: °CWB											
		14°C		16°C		18°C		19°C		22°C		24°C	
		TC kW	PI kW	TC kW	PI kW	TC kW	PI kW	TC kW	PI kW	TC kW	PI kW	TC kW	PI kW
3.5+3.5+3.5	22.0	8.54	2.70	8.93	2.76	9.32	2.81	9.52	2.84	10.10	2.91	10.50	2.97
	25.0	8.30	2.80	8.69	2.85	9.09	2.91	9.28	2.93	9.87	3.01	10.26	3.06
	32.0	7.75	3.05	8.14	3.10	8.53	3.15	8.73	3.18	9.31	3.26	9.71	3.31
	35.0	7.51	3.16	7.90	3.21	8.29	3.27	8.49	3.29	9.08	3.37	9.47	3.43
	40.0	7.11	3.34	7.49	3.34	7.86	3.34	8.04	3.34	8.58	3.34	8.93	3.34
	43.0	6.64	2.75	6.94	2.75	7.25	2.75	7.41	2.75	7.85	2.75	8.13	2.75
	46.0	5.87	2.17	6.11	2.17	6.35	2.17	6.47	2.17	6.81	2.17	7.04	2.17
3.5+3.5+5.0	22.0	8.87	2.85	9.28	2.91	9.68	2.96	9.89	2.99	10.50	3.07	10.90	3.13
	25.0	8.63	2.95	9.03	3.01	9.44	3.07	9.64	3.09	10.25	3.18	10.66	3.23
	32.0	8.05	3.21	8.46	3.27	8.86	3.33	9.07	3.35	9.68	3.44	10.08	3.49
	35.0	7.80	3.33	8.21	3.39	8.62	3.45	8.82	3.47	9.43	3.56	9.84	3.61
	40.0	7.38	3.34	7.79	3.34	8.15	3.34	8.33	3.34	8.85	3.34	9.19	3.34
	43.0	6.95	2.75	7.25	2.75	7.55	2.75	7.70	2.75	8.13	2.75	8.41	2.75
	46.0	6.16	2.17	6.40	2.17	6.63	2.17	6.75	2.17	7.08	2.17	7.31	2.17
3.5+3.5+6.0	22.0	9.02	2.56	9.44	2.61	9.85	2.66	10.06	2.69	10.68	2.76	11.09	2.81
	25.0	8.77	2.66	9.19	2.71	9.60	2.76	9.81	2.78	10.43	2.86	10.84	2.91
	32.0	8.19	2.89	8.60	2.94	9.01	2.99	9.22	3.01	9.84	3.09	10.25	3.14
	35.0	7.94	3.00	8.35	3.05	8.76	3.10	8.97	3.12	9.59	3.20	10.00	3.25
	40.0	7.49	3.19	7.93	3.24	8.35	3.29	8.55	3.31	9.13	3.34	9.50	3.34
	43.0	6.96	2.75	7.28	2.75	7.58	2.75	7.73	2.75	8.19	2.75	8.55	2.75
	46.0	6.13	2.17	6.37	2.17	6.62	2.17	6.74	2.17	7.09	2.17	7.32	2.17
3.5+5.0+5.0	22.0	9.08	2.79	9.50	2.84	9.92	2.89	10.12	2.92	10.75	3.00	11.16	3.06
	25.0	8.83	2.89	9.25	2.94	9.66	2.99	9.87	3.02	10.49	3.10	10.91	3.16
	32.0	8.24	3.14	8.66	3.19	9.07	3.25	9.28	3.28	9.91	3.36	10.32	3.41
	35.0	7.99	3.26	8.41	3.31	8.82	3.37	9.03	3.39	9.65	3.47	10.07	3.53
	40.0	7.55	3.34	7.93	3.34	8.30	3.34	8.48	3.34	9.02	3.34	9.41	3.34
	43.0	7.03	2.75	7.34	2.75	7.65	2.75	7.80	2.75	8.24	2.75	8.53	2.75
	46.0	6.20	2.17	6.44	2.17	6.68	2.17	6.80	2.17	7.15	2.17	7.38	2.17

3D050147-5B-B

SYMBOLS

TC : Total cooling capacity (kW)
 PI : Power input (kW)

NOTES

Capacities are based on following conditions
 Corresponding refrigerant piping length: 7.5 m
 Level difference: 0 m
 The above is the value for connecting with the following indoor units.
 2.0, 2.5, 3.5, 5.0kW class; wall mounted D series
 6.0, 7.1kW class; wall mounted B series

5 Capacity tables

5 - 2 Cooling capacity tables

4MKS75E													
Cooling [50Hz 230V]													
Combination (Capacity)	Outdoor air temp. °CDB	Indoor air temp.: °CWB											
		14°C		16°C		18°C		19°C		22°C		24°C	
		TC kW	PI kW	TC kW	PI kW	TC kW	PI kW	TC kW	PI kW	TC kW	PI kW	TC kW	PI kW
2.0+2.0+2.0+2.0	22.0	7.86	2.04	8.22	2.08	8.58	2.12	8.76	2.14	9.30	2.20	9.66	2.24
	25.0	7.64	2.11	8.00	2.15	8.36	2.19	8.54	2.21	9.08	2.27	9.44	2.31
	32.0	7.13	2.30	7.49	2.34	7.85	2.38	8.03	2.40	8.57	2.46	8.93	2.50
	35.0	6.91	2.38	7.27	2.42	7.63	2.46	7.81	2.48	8.35	2.54	8.71	2.58
	40.0	6.55	2.54	6.91	2.58	7.27	2.62	7.45	2.63	7.99	2.69	8.35	2.73
	43.0	6.33	2.63	6.69	2.67	7.05	2.71	7.23	2.73	7.73	2.75	8.03	2.75
	46.0	5.59	2.17	5.85	2.17	6.11	2.17	6.24	2.17	6.61	2.17	6.85	2.17
2.0+2.0+2.0+2.5	22.0	8.09	2.14	8.46	2.18	8.83	2.22	9.01	2.24	9.57	2.30	9.94	2.34
	25.0	7.86	2.21	8.23	2.26	8.60	2.30	8.79	2.32	9.34	2.38	9.71	2.42
	32.0	7.34	2.41	7.71	2.45	8.08	2.49	8.26	2.51	8.82	2.57	9.19	2.62
	35.0	7.11	2.50	7.48	2.54	7.85	2.58	8.04	2.60	8.60	2.67	8.97	2.71
	40.0	6.74	2.66	7.11	2.70	7.48	2.74	7.67	2.76	8.22	2.82	8.59	2.87
	43.0	6.51	2.75	6.85	2.75	7.18	2.75	7.34	2.75	7.81	2.75	8.12	2.75
	46.0	5.67	2.17	5.93	2.17	6.19	2.17	6.32	2.17	6.69	2.17	6.93	2.17
2.0+2.0+2.0+3.5	22.0	8.32	2.28	8.70	2.33	9.08	2.37	9.27	2.40	9.84	2.46	10.22	2.51
	25.0	8.09	2.37	8.47	2.41	8.85	2.46	9.04	2.48	9.61	2.54	9.99	2.59
	32.0	7.55	2.58	7.93	2.62	8.31	2.66	8.50	2.69	9.07	2.75	9.45	2.80
	35.0	7.32	2.67	7.70	2.72	8.08	2.76	8.27	2.78	8.84	2.85	9.22	2.89
	40.0	6.93	2.84	7.31	2.89	7.69	2.93	7.88	2.95	8.46	3.02	8.84	3.06
	43.0	6.58	2.75	6.91	2.75	7.23	2.75	7.39	2.75	7.86	2.75	8.16	2.75
	46.0	5.75	2.17	6.01	2.17	6.26	2.17	6.38	2.17	6.75	2.17	6.99	2.17
2.0+2.0+2.0+5.0	22.0	8.82	2.55	9.23	2.60	9.63	2.65	9.83	2.67	10.44	2.75	10.84	2.80
	25.0	8.58	2.64	8.98	2.69	9.38	2.74	9.59	2.76	10.19	2.84	10.60	2.89
	32.0	8.00	2.87	8.41	2.92	8.81	2.97	9.02	3.00	9.62	3.07	10.03	3.12
	35.0	7.76	2.98	8.16	3.03	8.57	3.08	8.77	3.10	9.38	3.18	9.78	3.23
	40.0	7.35	3.17	7.76	3.22	8.16	3.27	8.36	3.29	8.95	3.34	9.31	3.34
	43.0	6.83	2.75	7.16	2.75	7.48	2.75	7.64	2.75	8.10	2.75	8.40	2.75
	46.0	5.99	2.17	6.24	2.17	6.49	2.17	6.61	2.17	6.97	2.17	7.21	2.17
2.0+2.0+2.0+6.0	22.0	9.11	2.45	9.53	2.50	9.95	2.54	10.16	2.57	10.78	2.64	11.20	2.69
	25.0	8.86	2.54	9.28	2.58	9.70	2.63	9.90	2.66	10.53	2.73	10.95	2.78
	32.0	8.27	2.76	8.69	2.81	9.10	2.86	9.31	2.88	9.94	2.95	10.36	3.00
	35.0	8.02	2.86	8.43	2.91	8.85	2.96	9.06	2.98	9.69	3.05	10.10	3.10
	40.0	7.59	3.05	8.01	3.09	8.43	3.14	8.64	3.17	9.26	3.24	9.68	3.29
	43.0	7.07	2.75	7.41	2.75	7.74	2.75	7.91	2.75	8.39	2.75	8.70	2.75
	46.0	6.14	2.17	6.40	2.17	6.66	2.17	6.79	2.17	7.17	2.17	7.42	2.17
2.0+2.0+2.0+7.1	22.0	9.28	2.55	9.71	2.60	10.13	2.65	10.35	2.67	10.99	2.75	11.41	2.80
	25.0	9.03	2.64	9.45	2.69	9.88	2.74	10.09	2.76	10.73	2.84	11.15	2.89
	32.0	8.42	2.87	8.85	2.92	9.28	2.97	9.49	3.00	10.13	3.07	10.55	3.12
	35.0	8.17	2.98	8.59	3.03	9.02	3.08	9.23	3.10	9.87	3.18	10.29	3.23
	40.0	7.74	3.17	8.16	3.22	8.59	3.27	8.80	3.29	9.41	3.34	9.79	3.34
	43.0	7.14	2.75	7.48	2.75	7.82	2.75	7.98	2.75	8.46	2.75	8.77	2.75
	46.0	6.21	2.17	6.48	2.17	6.74	2.17	6.86	2.17	7.24	2.17	7.48	2.17

3D050147-6B-A

SYMBOLS

TC : Total cooling capacity (kW)
PI : Power input (kW)

NOTES

Capacities are based on following conditions
Corresponding refrigerant piping length: 7.5 m
Level difference: 0 m
The above is the value for connecting with the following indoor units.
2.0, 2.5, 3.5, 5.0kW class; wall mounted D series
6.0, 7.1kW class; wall mounted B series

5 Capacity tables

5 - 2 Cooling capacity tables

5

4MK575E

Cooling [50Hz 230V]

Combination (Capacity)	Outdoor air temp. °CDB	Indoor air temp.: °CWB											
		14°C		16°C		18°C		19°C		22°C		24°C	
		TC kW	PI kW	TC kW	PI kW	TC kW	PI kW	TC kW	PI kW	TC kW	PI kW	TC kW	PI kW
2.0+2.0+2.5+2.5	22.0	8.17	2.20	8.54	2.25	8.92	2.29	9.10	2.31	9.66	2.37	10.04	2.42
	25.0	7.94	2.28	8.32	2.32	8.69	2.37	8.88	2.39	9.44	2.45	9.81	2.50
	32.0	7.41	2.48	7.79	2.53	8.16	2.57	8.35	2.59	8.91	2.65	9.28	2.70
	35.0	7.18	2.58	7.56	2.62	7.93	2.66	8.12	2.68	8.68	2.75	9.06	2.79
	40.0	6.81	2.74	7.18	2.78	7.55	2.83	7.74	2.85	8.30	2.91	8.68	2.95
	43.0	6.52	2.75	6.85	2.75	7.18	2.75	7.34	2.75	7.81	2.75	8.11	2.75
	46.0	5.69	2.17	5.95	2.17	6.20	2.17	6.33	2.17	6.70	2.17	6.94	2.17
2.0+2.0+2.5+3.5	22.0	8.47	2.34	8.86	2.39	9.25	2.43	9.44	2.46	10.02	2.52	10.41	2.57
	25.0	8.23	2.43	8.62	2.47	9.01	2.52	9.20	2.54	9.79	2.61	10.17	2.65
	32.0	7.69	2.64	8.07	2.69	8.46	2.73	8.66	2.75	9.24	2.82	9.63	2.87
	35.0	7.45	2.74	7.84	2.78	8.23	2.83	8.42	2.85	9.00	2.92	9.39	2.97
	40.0	7.06	2.91	7.45	2.96	7.83	3.01	8.03	3.03	8.61	3.10	9.00	3.14
	43.0	6.66	2.75	6.99	2.75	7.31	2.75	7.47	2.75	7.94	2.75	8.24	2.75
	46.0	5.82	2.17	6.08	2.17	6.33	2.17	6.45	2.17	6.82	2.17	7.06	2.17
2.0+2.0+2.5+5.0	22.0	8.90	2.58	9.31	2.63	9.72	2.68	9.92	2.71	10.53	2.78	10.94	2.83
	25.0	8.65	2.67	9.06	2.72	9.47	2.77	9.67	2.80	10.29	2.87	10.69	2.92
	32.0	8.08	2.91	8.49	2.96	8.89	3.01	9.10	3.03	9.71	3.11	10.12	3.16
	35.0	7.83	3.02	8.24	3.07	8.65	3.12	8.84	3.14	9.46	3.22	9.87	3.27
	40.0	7.42	3.21	7.83	3.26	8.23	3.31	8.44	3.34	9.00	3.34	9.36	3.34
	43.0	6.86	2.75	7.21	2.75	7.53	2.75	7.68	2.75	8.15	2.75	8.45	2.75
	46.0	6.03	2.17	6.29	2.17	6.52	2.17	6.65	2.17	7.01	2.17	7.25	2.17
2.0+2.0+2.5+6.0	22.0	9.18	2.47	9.60	2.52	10.02	2.57	10.24	2.59	10.87	2.67	11.29	2.71
	25.0	8.93	2.56	9.35	2.61	9.77	2.66	9.98	2.68	10.61	2.76	11.03	2.80
	32.0	8.33	2.79	8.75	2.84	9.17	2.88	9.39	2.91	10.02	2.98	10.44	3.03
	35.0	8.08	2.89	8.50	2.94	8.92	2.99	9.13	3.01	9.76	3.09	10.18	3.13
	40.0	7.65	3.08	8.07	3.13	8.49	3.17	8.70	3.20	9.34	3.27	9.76	3.32
	43.0	7.10	2.75	7.45	2.75	7.78	2.75	7.95	2.75	8.43	2.75	8.74	2.75
	46.0	6.17	2.17	6.44	2.17	6.70	2.17	6.83	2.17	7.20	2.17	7.45	2.17
2.0+2.0+3.5+3.5	22.0	8.80	2.51	9.20	2.56	9.61	2.60	9.81	2.63	10.41	2.70	10.82	2.75
	25.0	8.56	2.60	8.96	2.65	9.36	2.69	9.56	2.72	10.17	2.79	10.57	2.84
	32.0	7.99	2.83	8.39	2.87	8.79	2.92	8.99	2.95	9.60	3.02	10.00	3.07
	35.0	7.74	2.93	8.15	2.98	8.55	3.03	8.74	3.05	9.35	3.13	9.76	3.18
	40.0	7.33	3.12	7.74	3.17	8.14	3.22	8.34	3.24	8.95	3.31	9.33	3.34
	43.0	6.83	2.75	7.16	2.75	7.48	2.75	7.64	2.75	8.10	2.75	8.40	2.75
	46.0	5.97	2.17	6.23	2.17	6.48	2.17	6.60	2.17	6.97	2.17	7.20	2.17
2.0+2.0+3.5+5.0	22.0	9.19	2.71	9.61	2.76	10.04	2.82	10.25	2.84	10.88	2.92	11.30	2.98
	25.0	8.94	2.81	9.36	2.86	9.78	2.92	9.99	2.94	10.62	3.02	11.04	3.07
	32.0	8.34	3.06	8.76	3.11	9.18	3.16	9.40	3.19	10.03	3.27	10.45	3.32
	35.0	8.09	3.17	8.51	3.22	8.93	3.28	9.14	3.30	9.77	3.38	10.19	3.44
	40.0	7.65	3.34	8.05	3.34	8.44	3.34	8.63	3.34	9.19	3.34	9.56	3.34
	43.0	7.07	2.75	7.39	2.75	7.69	2.75	7.86	2.75	8.31	2.75	8.59	2.75
	46.0	6.22	2.17	6.47	2.17	6.71	2.17	6.83	2.17	7.19	2.17	7.42	2.17

3D050147-6B-B

SYMBOLS

TC : Total cooling capacity (kW)
PI : Power input (kW)

NOTES

Capacities are based on following conditions
Corresponding refrigerant piping length: 7.5 m
Level difference: 0 m
The above is the value for connecting with the following indoor units.
2.0, 2.5, 3.5, 5.0kW class; wall mounted D series
6.0, 7.1kW class; wall mounted B series

5 Capacity tables

5 - 2 Cooling capacity tables

4MKS75E													
Cooling [50Hz 230V]													
Combination (Capacity)	Outdoor air temp. °CDB	Indoor air temp.: °CWB											
		14°C		16°C		18°C		19°C		22°C		24°C	
		TC kW	PI kW	TC kW	PI kW	TC kW	PI kW	TC kW	PI kW	TC kW	PI kW	TC kW	PI kW
2.0+2.0+3.5+6.0	22.0	9.32	2.63	9.75	2.68	10.18	2.73	10.39	2.76	11.03	2.83	11.46	2.89
	25.0	9.07	2.72	9.49	2.78	9.92	2.83	10.13	2.85	10.77	2.93	11.20	2.98
	32.0	8.46	2.96	8.89	3.02	9.32	3.07	9.53	3.09	10.17	3.17	10.60	3.22
	35.0	8.20	3.08	8.63	3.13	9.06	3.18	9.27	3.20	9.91	3.28	10.34	3.33
	40.0	7.77	3.27	8.20	3.32	8.60	3.34	8.80	3.34	9.38	3.34	9.75	3.34
	43.0	7.15	2.75	7.49	2.75	7.81	2.75	7.97	2.75	8.45	2.75	8.76	2.75
46.0	6.22	2.17	6.48	2.17	6.75	2.17	6.86	2.17	7.25	2.17	7.49	2.17	
2.0+2.5+2.5+2.5	22.0	8.32	2.28	8.70	2.33	9.08	2.37	9.27	2.40	9.84	2.46	10.22	2.51
	25.0	8.09	2.37	8.47	2.41	8.85	2.46	9.04	2.48	9.61	2.54	9.99	2.59
	32.0	7.55	2.58	7.93	2.62	8.31	2.66	8.50	2.69	9.07	2.75	9.45	2.80
	35.0	7.32	2.67	7.70	2.72	8.08	2.76	8.27	2.78	8.84	2.85	9.22	2.89
	40.0	6.93	2.84	7.31	2.89	7.69	2.93	7.88	2.95	8.46	3.02	8.84	3.06
	43.0	6.58	2.75	6.91	2.75	7.23	2.75	7.39	2.75	7.86	2.75	8.16	2.75
46.0	5.75	2.17	6.01	2.17	6.26	2.17	6.38	2.17	6.75	2.17	6.99	2.17	
2.0+2.5+2.5+3.5	22.0	8.61	2.38	9.00	2.43	9.40	2.48	9.60	2.50	10.19	2.57	10.58	2.62
	25.0	8.37	2.47	8.77	2.52	9.16	2.56	9.36	2.58	9.95	2.65	10.34	2.70
	32.0	7.81	2.69	8.21	2.73	8.60	2.78	8.80	2.80	9.39	2.87	9.79	2.92
	35.0	7.57	2.79	7.97	2.83	8.36	2.88	8.56	2.90	9.15	2.97	9.55	3.02
	40.0	7.18	2.97	7.57	3.01	7.96	3.06	8.16	3.08	8.75	3.15	9.15	3.20
	43.0	6.74	2.75	7.07	2.75	7.40	2.75	7.56	2.75	8.02	2.75	8.33	2.75
46.0	5.88	2.17	6.14	2.17	6.40	2.17	6.52	2.17	6.89	2.17	7.13	2.17	
2.0+2.5+2.5+5.0	22.0	9.05	2.63	9.47	2.68	9.88	2.73	10.09	2.76	10.71	2.83	11.13	2.89
	25.0	8.80	2.72	9.22	2.78	9.63	2.83	9.84	2.85	10.46	2.93	10.87	2.98
	32.0	8.21	2.96	8.63	3.02	9.04	3.07	9.25	3.09	9.87	3.17	10.29	3.22
	35.0	7.96	3.08	8.38	3.13	8.79	3.18	8.99	3.20	9.62	3.28	10.04	3.33
	40.0	7.54	3.27	7.96	3.32	8.35	3.34	8.55	3.34	9.11	3.34	9.48	3.34
	43.0	6.97	2.75	7.28	2.75	7.62	2.75	7.75	2.75	8.24	2.75	8.54	2.75
46.0	6.13	2.17	6.38	2.17	6.62	2.17	6.74	2.17	7.10	2.17	7.32	2.17	
2.0+2.5+2.5+6.0	22.0	9.32	2.61	9.75	2.66	10.18	2.72	10.39	2.74	11.03	2.82	11.46	2.87
	25.0	9.07	2.71	9.49	2.76	9.92	2.81	10.13	2.83	10.77	2.91	11.20	2.96
	32.0	8.46	2.95	8.89	3.00	9.32	3.05	9.53	3.07	10.17	3.15	10.60	3.20
	35.0	8.20	3.06	8.63	3.11	9.06	3.16	9.27	3.18	9.91	3.26	10.34	3.31
	40.0	7.77	3.25	8.20	3.30	8.61	3.34	8.81	3.34	9.39	3.34	9.76	3.34
	43.0	7.15	2.75	7.49	2.75	7.82	2.75	7.98	2.75	8.46	2.75	8.76	2.75
46.0	6.22	2.17	6.48	2.17	6.75	2.17	6.86	2.17	7.25	2.17	7.49	2.17	
2.0+2.5+3.5+3.5	22.0	8.93	2.60	9.34	2.65	9.75	2.70	9.96	2.72	10.57	2.80	10.98	2.85
	25.0	8.68	2.69	9.09	2.74	9.50	2.79	9.71	2.82	10.32	2.89	10.73	2.94
	32.0	8.11	2.93	8.51	2.98	8.92	3.03	9.13	3.05	9.74	3.13	10.15	3.18
	35.0	7.86	3.04	8.27	3.09	8.68	3.14	8.89	3.16	9.49	3.24	9.90	3.29
	40.0	7.44	3.23	7.85	3.28	8.26	3.33	8.45	3.34	9.02	3.34	9.38	3.34
	43.0	6.88	2.75	7.22	2.75	7.54	2.75	7.70	2.75	8.16	2.75	8.46	2.75
46.0	6.05	2.17	6.30	2.17	6.55	2.17	6.67	2.17	7.03	2.17	7.26	2.17	

3D050147-7B-A

SYMBOLS

TC : Total cooling capacity (kW)
PI : Power input (kW)

NOTES

Capacities are based on following conditions
Corresponding refrigerant piping length: 7.5 m
Level difference: 0 m
The above is the value for connecting with the following indoor units.
2.0, 2.5, 3.5, 5.0kW class; wall mounted D series
6.0, 7.1kW class; wall mounted B series

5 Capacity tables

5 - 2 Cooling capacity tables

5

4MK575E

Cooling [50Hz 230V]

Combination (Capacity)	Outdoor air temp. °CDB	Indoor air temp.: °CWB											
		14°C		16°C		18°C		19°C		22°C		24°C	
		TC kW	PI kW	TC kW	PI kW	TC kW	PI kW	TC kW	PI kW	TC kW	PI kW	TC kW	PI kW
2.0+2.5+3.5+5.0	22.0	9.33	2.78	9.76	2.83	10.19	2.89	10.40	2.91	11.04	2.99	11.47	3.05
	25.0	9.08	2.88	9.50	2.93	9.93	2.99	10.14	3.01	10.79	3.09	11.21	3.15
	32.0	8.47	3.13	8.90	3.19	9.33	3.24	9.54	3.27	10.18	3.35	10.61	3.40
	35.0	8.21	3.25	8.64	3.30	9.07	3.36	9.28	3.38	9.92	3.46	10.35	3.52
	40.0	7.74	3.34	8.13	3.34	8.54	3.34	8.69	3.34	9.29	3.34	9.66	3.34
	43.0	7.18	2.75	7.50	2.75	7.81	2.75	7.96	2.75	8.24	2.75	8.70	2.75
	46.0	6.32	2.17	6.56	2.17	6.81	2.17	6.93	2.17	7.28	2.17	7.51	2.17
2.0+3.5+3.5+3.5	22.0	9.23	2.79	9.66	2.85	10.08	2.90	10.29	2.93	10.93	3.01	11.35	3.07
	25.0	8.98	2.89	9.40	2.95	9.82	3.00	10.03	3.03	10.67	3.11	11.09	3.17
	32.0	8.38	3.15	8.80	3.20	9.22	3.26	9.44	3.29	10.07	3.37	10.49	3.42
	35.0	8.12	3.27	8.55	3.32	8.97	3.38	9.18	3.40	9.81	3.49	10.24	3.54
	40.0	7.66	3.34	8.06	3.34	8.44	3.34	8.63	3.34	9.19	3.34	9.55	3.34
	43.0	7.09	2.75	7.42	2.75	7.72	2.75	7.87	2.75	8.34	2.75	8.62	2.75
	46.0	6.23	2.17	6.48	2.17	6.73	2.17	6.85	2.17	7.20	2.17	7.44	2.17
2.5+2.5+2.5+2.5	22.0	8.46	2.31	8.85	2.35	9.23	2.40	9.43	2.42	10.01	2.49	10.40	2.53
	25.0	8.22	2.39	8.61	2.44	9.00	2.48	9.19	2.50	9.77	2.57	10.16	2.62
	32.0	7.68	2.60	8.06	2.65	8.45	2.69	8.64	2.72	9.23	2.78	9.61	2.83
	35.0	7.44	2.70	7.83	2.75	8.22	2.79	8.41	2.81	8.99	2.88	9.38	2.93
	40.0	7.05	2.87	7.44	2.92	7.82	2.96	8.02	2.99	8.60	3.05	8.99	3.10
	43.0	6.67	2.75	7.00	2.75	7.33	2.75	7.49	2.75	7.96	2.75	8.26	2.75
	46.0	5.82	2.17	6.08	2.17	6.33	2.17	6.46	2.17	6.83	2.17	7.07	2.17
2.5+2.5+2.5+3.5	22.0	8.81	2.49	9.22	2.54	9.62	2.59	9.82	2.61	10.43	2.68	10.83	2.73
	25.0	8.57	2.58	8.97	2.63	9.37	2.68	9.58	2.70	10.18	2.77	10.58	2.82
	32.0	8.00	2.81	8.40	2.86	8.80	2.90	9.00	2.93	9.61	3.00	10.01	3.05
	35.0	7.75	2.91	8.15	2.96	8.56	3.01	8.75	3.03	9.37	3.11	9.77	3.15
	40.0	7.34	3.10	7.75	3.15	8.15	3.20	8.35	3.22	8.96	3.29	9.36	3.34
	43.0	6.84	2.75	7.17	2.75	7.49	2.75	7.65	2.75	8.12	2.75	8.42	2.75
	46.0	5.97	2.17	6.22	2.17	6.49	2.17	6.61	2.17	6.98	2.17	7.22	2.17
2.5+2.5+2.5+5.0	22.0	9.19	2.69	9.61	2.74	10.04	2.79	10.25	2.82	10.88	2.90	11.30	2.95
	25.0	8.94	2.78	9.36	2.84	9.78	2.89	9.99	2.91	10.62	2.99	11.04	3.05
	32.0	8.34	3.03	8.76	3.08	9.18	3.13	9.40	3.16	10.03	3.24	10.45	3.29
	35.0	8.09	3.14	8.51	3.19	8.93	3.25	9.14	3.27	9.77	3.35	10.19	3.40
	40.0	7.66	3.34	8.06	3.34	8.45	3.34	8.64	3.34	9.21	3.34	9.57	3.34
	43.0	7.07	2.75	7.39	2.75	7.69	2.75	7.86	2.75	8.30	2.75	8.59	2.75
	46.0	6.22	2.17	6.47	2.17	6.71	2.17	6.83	2.17	7.19	2.17	7.42	2.17
2.5+2.5+2.5+6.0	22.0	9.32	2.59	9.75	2.64	10.18	2.69	10.39	2.71	11.03	2.79	11.46	2.84
	25.0	9.07	2.68	9.49	2.73	9.92	2.78	10.13	2.81	10.77	2.88	11.20	2.93
	32.0	8.46	2.92	8.89	2.97	9.32	3.02	9.53	3.04	10.17	3.12	10.60	3.17
	35.0	8.20	3.03	8.63	3.08	9.06	3.13	9.27	3.15	9.91	3.23	10.34	3.28
	40.0	7.77	3.22	8.20	3.27	8.62	3.32	8.83	3.34	9.41	3.34	9.79	3.34
	43.0	7.16	2.75	7.50	2.75	7.83	2.75	7.99	2.75	8.47	2.75	8.78	2.75
	46.0	6.22	2.17	6.48	2.17	6.75	2.17	6.85	2.17	7.25	2.17	7.50	2.17

3D050147-7B-B

SYMBOLS

TC : Total cooling capacity (kW)
PI : Power input (kW)

NOTES

Capacities are based on following conditions
Corresponding refrigerant piping length: 7.5 m
Level difference: 0 m
The above is the value for connecting with the following indoor units.
2.0, 2.5, 3.5, 5.0kW class; wall mounted D series
6.0, 7.1kW class; wall mounted B series

5 Capacity tables

5 - 2 Cooling capacity tables

4MKS75E

Cooling [50Hz 230V]

Combination (Capacity)	Outdoor air temp. °CDB	Indoor air temp.: °CWB											
		14°C		16°C		18°C		19°C		22°C		24°C	
		TC kW	PI kW	TC kW	PI kW	TC kW	PI kW	TC kW	PI kW	TC kW	PI kW	TC kW	PI kW
2.5+2.5+3.5+3.5	22.0	9.06	2.61	9.48	2.66	9.89	2.72	10.10	2.74	10.72	2.82	11.14	2.87
	25.0	8.81	2.71	9.23	2.76	9.64	2.81	9.85	2.83	10.47	2.91	10.89	2.96
	32.0	8.22	2.95	8.64	3.00	9.05	3.05	9.26	3.07	9.88	3.15	10.30	3.20
	35.0	7.97	3.06	8.39	3.11	8.80	3.16	9.01	3.18	9.63	3.26	10.05	3.31
	40.0	7.55	3.25	7.97	3.30	8.37	3.34	8.57	3.34	9.13	3.34	9.50	3.34
	43.0	6.97	2.75	7.31	2.75	7.63	2.75	7.79	2.75	8.26	2.75	8.56	2.75
46.0	6.12	2.17	6.37	2.17	6.62	2.17	6.74	2.17	7.10	2.17	7.32	2.17	
2.5+2.5+3.5+5.0	22.0	9.33	2.77	9.76	2.82	10.19	2.88	10.40	2.90	11.04	2.99	11.47	3.04
	25.0	9.08	2.87	9.50	2.92	9.93	2.98	10.14	3.00	10.79	3.08	11.21	3.14
	32.0	8.47	3.12	8.90	3.18	9.33	3.23	9.54	3.26	10.18	3.34	10.61	3.39
	35.0	8.21	3.24	8.64	3.29	9.07	3.35	9.28	3.37	9.92	3.45	10.35	3.51
	40.0	7.74	3.34	8.13	3.34	8.54	3.34	8.69	3.34	9.30	3.34	9.66	3.34
	43.0	7.18	2.75	7.50	2.75	7.81	2.75	7.96	2.75	8.42	2.75	8.70	2.75
46.0	6.32	2.17	6.56	2.17	6.81	2.17	6.93	2.17	7.28	2.17	7.51	2.17	
2.5+3.5+3.5+3.5	22.0	9.29	2.80	9.72	2.86	10.15	2.91	10.36	2.94	11.00	3.02	11.42	3.08
	25.0	9.04	2.90	9.46	2.96	9.89	3.01	10.10	3.04	10.74	3.12	11.16	3.18
	32.0	8.43	3.16	8.86	3.21	9.29	3.27	9.50	3.30	10.14	3.38	10.56	3.43
	35.0	8.18	3.28	8.60	3.33	9.03	3.39	9.24	3.41	9.88	3.50	10.30	3.55
	40.0	7.69	3.34	8.09	3.34	8.49	3.34	8.68	3.34	9.24	3.34	9.61	3.34
	43.0	7.13	2.75	7.45	2.75	7.76	2.75	7.92	2.75	8.37	2.75	8.67	2.75
46.0	6.26	2.17	6.51	2.17	6.76	2.17	6.88	2.17	7.23	2.17	7.46	2.17	

3D050147-8B

SYMBOLS

TC : Total cooling capacity (kW)
PI : Power input (kW)

NOTES

Capacities are based on following conditions
Corresponding refrigerant piping length: 7.5 m
Level difference: 0 m
The above is the value for connecting with the following indoor units.
2.0, 2.5, 3.5, 5.0kW class; wall mounted D series
6.0, 7.1kW class; wall mounted B series

5 Capacity tables

5 - 2 Cooling capacity tables

5

5MKS90E

Cooling [50Hz 230V]

Combination (Capacity)	Outdoor air temp. °CDB	Indoor air temp.: °CWB											
		14°C		16°C		18°C		19°C		22°C		24°C	
		TC kW	PI kW	TC kW	PI kW	TC kW	PI kW	TC kW	PI kW	TC kW	PI kW	TC kW	PI kW
2.0	22.0	3.05	0.86	3.19	0.88	3.33	0.90	3.40	0.90	3.61	0.93	3.75	0.95
	25.0	2.96	0.89	3.10	0.91	3.24	0.93	3.31	0.94	3.52	0.96	3.66	0.98
	32.0	2.77	0.97	2.91	0.99	3.04	1.01	3.11	1.01	3.32	1.04	3.46	1.06
	35.0	2.68	1.01	2.82	1.03	2.96	1.04	3.03	1.05	3.24	1.08	3.38	1.09
	40.0	2.54	1.07	2.68	1.09	2.82	1.11	2.89	1.12	3.10	1.14	3.24	1.16
	43.0	2.46	1.11	2.59	1.13	2.73	1.15	2.80	1.16	3.01	1.18	3.15	1.20
	46.0	2.37	1.16	2.51	1.17	2.65	1.19	2.72	1.20	2.93	1.22	3.07	1.24
2.5	22.0	3.22	0.89	3.72	1.05	3.89	1.07	3.97	1.08	4.21	1.11	4.38	1.13
	25.0	3.22	0.96	3.63	1.08	3.79	1.10	3.87	1.11	4.11	1.14	4.28	1.16
	32.0	3.22	1.15	3.39	1.18	3.56	1.20	3.64	1.21	3.88	1.24	4.05	1.26
	35.0	3.13	1.20	3.30	1.22	3.46	1.24	3.54	1.25	3.78	1.28	3.95	1.30
	40.0	2.97	1.28	3.13	1.30	3.29	1.32	3.38	1.33	3.62	1.36	3.78	1.38
	43.0	2.87	1.33	3.03	1.35	3.19	1.37	3.28	1.38	3.52	1.41	3.68	1.43
	46.0	2.77	1.38	2.93	1.40	3.10	1.42	3.18	1.43	3.42	1.46	3.59	1.48
3.5	22.0	3.29	0.73	4.04	0.92	4.85	1.14	5.25	1.26	5.57	1.29	5.79	1.32
	25.0	3.29	0.78	4.04	0.99	4.85	1.23	5.12	1.30	5.44	1.34	5.65	1.36
	32.0	3.29	0.92	4.04	1.17	4.70	1.40	4.81	1.41	5.13	1.45	5.35	1.47
	35.0	3.29	0.99	4.04	1.27	4.57	1.45	4.68	1.46	5.00	1.50	5.22	1.52
	40.0	3.29	1.14	4.04	1.46	4.35	1.54	4.46	1.55	4.79	1.59	5.00	1.61
	43.0	3.29	1.24	4.01	1.57	4.22	1.60	4.33	1.61	4.65	1.64	4.87	1.67
	46.0	3.29	1.35	3.88	1.63	4.09	1.66	4.20	1.67	4.52	1.70	4.74	1.73
5.0	22.0	5.15	1.29	5.94	1.53	6.20	1.56	6.33	1.58	6.72	1.62	6.98	1.65
	25.0	5.15	1.39	5.79	1.59	6.05	1.62	6.18	1.63	6.57	1.68	6.83	1.70
	32.0	5.15	1.69	5.42	1.72	5.68	1.75	5.81	1.77	6.20	1.81	6.46	1.84
	35.0	5.00	1.76	5.26	1.79	5.52	1.82	5.65	1.83	6.04	1.88	6.30	1.91
	40.0	4.74	1.87	5.00	1.90	5.26	1.93	5.39	1.94	5.78	1.99	6.04	2.02
	43.0	4.58	1.94	4.84	1.97	5.10	2.00	5.23	2.02	5.62	2.06	5.88	2.09
	46.0	4.42	2.02	4.68	2.05	4.94	2.08	5.07	2.09	5.46	2.13	5.72	2.16
6.0	22.0	5.60	1.46	6.88	1.97	7.25	2.04	7.40	2.06	7.86	2.12	8.16	2.16
	25.0	5.60	1.58	6.76	2.07	7.06	2.11	7.21	2.13	7.67	2.19	7.97	2.23
	32.0	5.60	1.93	6.33	2.25	6.63	2.29	6.78	2.31	7.24	2.37	7.54	2.41
	35.0	5.60	2.12	6.14	2.34	6.45	2.37	6.60	2.39	7.06	2.45	7.36	2.49
	40.0	5.53	2.44	5.84	2.48	6.14	2.52	6.29	2.54	6.75	2.60	7.05	2.63
	43.0	5.35	2.54	5.65	2.57	5.96	2.61	6.11	2.63	6.56	2.69	6.87	2.73
	46.0	5.16	2.63	5.47	2.67	5.77	2.71	5.92	2.73	6.38	2.79	6.68	2.82
7.1	22.0	6.01	1.60	7.38	2.18	7.97	2.37	8.14	2.40	8.64	2.46	8.98	2.51
	25.0	6.01	1.73	7.38	2.37	7.77	2.46	7.94	2.48	8.44	2.54	8.77	2.59
	32.0	6.01	2.12	6.96	2.62	7.30	2.66	7.46	2.69	7.96	2.75	8.30	2.80
	35.0	6.01	2.32	6.76	2.72	7.09	2.76	7.26	2.78	7.76	2.85	8.10	2.89
	40.0	6.01	2.76	6.42	2.89	6.75	2.93	6.92	2.95	7.42	3.02	7.76	3.06
	43.0	5.88	2.95	6.22	3.00	6.55	3.04	6.72	3.06	7.22	3.13	7.56	3.17
	46.0	5.68	3.03	6.01	3.03	6.33	3.03	6.48	3.03	6.95	3.03	7.25	3.03

3D052449-1A

SYMBOLS

TC : Total capacity (kW)
PI : Power input (kW)

NOTES

Capacities are based on following conditions
Corresponding refrigerant piping length: 7.5 m
Level difference: 0 m

The above is the value for connecting with the following indoor units.
2.0 kW class; FTXS20D3VMW/L 2.5 kW class; FTXS25D3VMW/L
3.5 kW class; FTXS35D3VMW/L 5.0 kW class; FTXS50EV1B
6.0 kW class; FTXS60EV1B 7.1 kW class; FTXS71EV1B

5 Capacity tables

5 - 2 Cooling capacity tables

5MKS90E													
Cooling [50Hz 230V]													
Combination (Capacity)	Outdoor air temp. °CDB	Indoor air temp.: °CWB											
		14°C		16°C		18°C		19°C		22°C		24°C	
		TC kW	PI kW	TC kW	PI kW	TC kW	PI kW	TC kW	PI kW	TC kW	PI kW	TC kW	PI kW
2.0+2.0	22.0	5.19	1.46	5.43	1.49	5.67	1.52	5.78	1.53	6.14	1.58	6.38	1.61
	25.0	5.05	1.52	5.28	1.54	5.52	1.57	5.64	1.59	6.00	1.63	6.23	1.66
	32.0	4.71	1.65	4.95	1.68	5.19	1.71	5.30	1.72	5.66	1.76	5.90	1.79
	35.0	4.57	1.71	4.80	1.74	5.04	1.77	5.16	1.78	5.52	1.82	5.75	1.85
	40.0	4.33	1.82	4.56	1.85	4.80	1.88	4.92	1.89	5.28	1.93	5.51	1.96
	43.0	4.18	1.89	4.42	1.92	4.66	1.95	4.78	1.96	5.13	2.00	5.37	2.03
	46.0	4.04	1.96	4.27	1.99	4.51	2.02	4.63	2.03	4.99	2.08	5.23	2.10
2.0+2.5	22.0	5.60	1.46	5.86	1.49	6.12	1.52	6.24	1.53	6.63	1.58	6.89	1.61
	25.0	5.45	1.52	5.70	1.54	5.96	1.57	6.09	1.59	6.47	1.63	6.73	1.66
	32.0	5.08	1.65	5.34	1.68	5.60	1.71	5.73	1.72	6.11	1.76	6.37	1.79
	35.0	4.93	1.71	5.19	1.74	5.44	1.77	5.57	1.78	5.95	1.82	6.21	1.85
	40.0	4.67	1.82	4.93	1.85	5.18	1.88	5.31	1.89	5.70	1.93	5.95	1.96
	43.0	4.51	1.89	4.77	1.92	5.03	1.95	5.16	1.96	5.54	2.00	5.80	2.03
	46.0	4.36	1.96	4.61	1.99	4.87	2.02	5.00	2.03	5.38	2.08	5.64	2.10
2.0+3.5	22.0	6.22	1.70	6.50	1.73	6.79	1.77	6.93	1.78	7.36	1.83	7.64	1.87
	25.0	6.04	1.76	6.33	1.80	6.61	1.83	6.76	1.85	7.18	1.89	7.47	1.93
	32.0	5.64	1.92	5.93	1.95	6.21	1.98	6.35	2.00	6.78	2.05	7.06	2.08
	35.0	5.47	1.99	5.75	2.02	6.04	2.06	6.18	2.07	6.61	2.12	6.89	2.15
	40.0	5.18	2.12	5.47	2.15	5.75	2.18	5.89	2.20	6.32	2.25	6.60	2.28
	43.0	5.01	2.20	5.29	2.23	5.58	2.26	5.72	2.28	6.15	2.33	6.43	2.36
	46.0	4.84	2.28	5.12	2.31	5.40	2.35	5.55	2.36	5.97	2.41	6.26	2.45
2.0+5.0	22.0	7.35	2.10	7.69	2.14	8.03	2.18	8.19	2.20	8.70	2.26	9.04	2.30
	25.0	7.15	2.17	7.49	2.21	7.82	2.25	7.99	2.27	8.50	2.33	8.83	2.37
	32.0	6.67	2.36	7.01	2.40	7.35	2.44	7.51	2.46	8.02	2.53	8.36	2.57
	35.0	6.47	2.45	6.80	2.49	7.14	2.53	7.31	2.55	7.82	2.61	8.15	2.65
	40.0	6.13	2.61	6.46	2.65	6.80	2.69	6.97	2.71	7.47	2.77	7.81	2.81
	43.0	5.92	2.71	6.26	2.75	6.60	2.79	6.77	2.81	7.27	2.87	7.61	2.91
	46.0	5.72	2.81	6.06	2.85	6.39	2.89	6.56	2.91	7.07	2.97	7.40	3.01
2.0+6.0	22.0	8.01	2.44	8.37	2.49	8.74	2.54	8.92	2.56	9.47	2.63	9.84	2.68
	25.0	7.78	2.53	8.15	2.58	8.52	2.62	8.70	2.65	9.25	2.72	9.62	2.77
	32.0	7.27	2.75	7.63	2.80	8.00	2.85	8.18	2.87	8.73	2.94	9.10	2.99
	35.0	7.04	2.85	7.41	2.90	7.78	2.95	7.96	2.97	8.51	3.04	8.88	3.09
	40.0	6.67	3.04	7.04	3.08	7.41	3.13	7.59	3.16	8.14	3.23	8.51	3.27
	43.0	6.45	3.15	6.82	3.20	7.18	3.25	7.37	3.27	7.92	3.34	8.28	3.39
	46.0	6.21	3.03	6.55	3.03	6.88	3.03	7.04	3.03	7.52	3.03	7.83	3.03
2.0+7.1	22.0	8.27	2.55	8.65	2.60	9.03	2.65	9.22	2.67	9.78	2.75	10.16	2.80
	25.0	8.04	2.64	8.42	2.69	8.80	2.74	8.99	2.76	9.55	2.84	9.93	2.89
	32.0	7.50	2.87	7.88	2.92	8.26	2.97	8.45	3.00	9.02	3.07	9.40	3.12
	35.0	7.27	2.98	7.65	3.03	8.03	3.08	8.22	3.10	8.79	3.18	9.17	3.23
	40.0	6.89	3.17	7.27	3.22	7.65	3.27	7.84	3.29	8.41	3.37	8.78	3.42
	43.0	6.66	3.29	7.04	3.34	7.42	3.39	7.61	3.41	8.18	3.49	8.55	3.54
	46.0	6.41	3.03	6.75	3.03	7.08	3.03	7.24	3.03	7.72	3.03	8.04	3.03

3D052449-1A

SYMBOLS

TC : Total capacity (kW)
PI : Power input (kW)

NOTES

Capacities are based on following conditions
Corresponding refrigerant piping length: 7.5 m
Level difference: 0 m

The above is the value for connecting with the following indoor units.
2.0 kW class; FTXS20D3VMW/L 2.5 kW class; FTXS25D3VMW/L
3.5 kW class; FTXS35D3VMW/L 5.0 kW class; FTXS50EV1B
6.0 kW class; FTXS60EV1B 7.1 kW class; FTXS71EV1B

5 Capacity tables

5 - 2 Cooling capacity tables

5

5MKS90E

Cooling [50Hz 230V]

Combination (Capacity)	Outdoor air temp. °CDB	Indoor air temp.: °CWB											
		14°C		16°C		18°C		19°C		22°C		24°C	
		TC kW	PI kW	TC kW	PI kW	TC kW	PI kW	TC kW	PI kW	TC kW	PI kW	TC kW	PI kW
2.5+2.5	22.0	6.06	1.62	6.33	1.65	6.61	1.68	6.75	1.70	7.16	1.75	7.44	1.78
	25.0	5.89	1.68	6.16	1.71	6.44	1.74	6.58	1.76	7.00	1.80	7.27	1.83
	32.0	5.49	1.82	5.77	1.86	6.05	1.89	6.19	1.90	6.60	1.95	6.88	1.98
	35.0	5.33	1.89	5.60	1.92	5.88	1.96	6.02	1.97	6.44	2.02	6.71	2.05
	40.0	5.05	2.01	5.32	2.05	5.60	2.08	5.74	2.09	6.16	2.14	6.43	2.17
	43.0	4.88	2.09	5.16	2.12	5.43	2.15	5.57	2.17	5.99	2.22	6.26	2.25
	46.0	4.71	2.17	4.99	2.20	5.26	2.23	5.40	2.25	5.82	2.30	6.10	2.33
2.5+3.5	22.0	6.51	1.85	6.94	1.95	7.25	1.99	7.40	2.01	7.86	2.06	8.16	2.10
	25.0	6.45	1.98	6.76	2.02	7.06	2.06	7.21	2.08	7.67	2.13	7.97	2.17
	32.0	6.02	2.16	6.33	2.20	6.63	2.23	6.78	2.25	7.24	2.31	7.54	2.34
	35.0	5.84	2.24	6.14	2.28	6.45	2.31	6.60	2.33	7.06	2.39	7.36	2.43
	40.0	5.53	2.38	5.84	2.42	6.14	2.46	6.29	2.48	6.75	2.53	7.05	2.57
	43.0	5.35	2.47	5.65	2.51	5.96	2.55	6.11	2.57	6.56	2.62	6.87	2.66
	46.0	5.16	2.57	5.47	2.60	5.77	2.64	5.92	2.66	6.38	2.72	6.68	2.75
2.5+5.0	22.0	7.68	2.24	8.04	2.28	8.39	2.32	8.56	2.34	9.09	2.41	9.44	2.45
	25.0	7.47	2.32	7.82	2.36	8.18	2.40	8.35	2.42	8.88	2.49	9.23	2.53
	32.0	6.97	2.52	7.33	2.56	7.68	2.61	7.85	2.63	8.38	2.69	8.73	2.74
	35.0	6.76	2.61	7.11	2.66	7.46	2.70	7.64	2.72	8.17	2.79	8.52	2.83
	40.0	6.40	2.78	6.76	2.82	7.11	2.87	7.28	2.89	7.81	2.96	8.16	3.00
	43.0	6.19	2.89	6.54	2.93	6.89	2.97	7.07	3.00	7.60	3.06	7.95	3.10
	46.0	5.98	3.00	6.33	3.03	6.66	3.03	6.83	3.03	7.31	3.03	7.63	3.03
2.5+6.0	22.0	8.08	2.44	8.45	2.49	8.82	2.54	9.00	2.56	9.56	2.63	9.93	2.68
	25.0	7.85	2.53	8.22	2.58	8.59	2.62	8.78	2.65	9.33	2.72	9.70	2.77
	32.0	7.33	2.75	7.70	2.80	8.07	2.85	8.25	2.87	8.81	2.94	9.18	2.99
	35.0	7.11	2.85	7.48	2.90	7.85	2.95	8.03	2.97	8.58	3.04	8.95	3.09
	40.0	6.73	3.04	7.10	3.08	7.47	3.13	7.66	3.16	8.21	3.23	8.58	3.27
	43.0	6.51	3.15	6.88	3.20	7.25	3.25	7.43	3.27	7.99	3.34	8.36	3.39
	46.0	6.26	3.03	6.60	3.03	6.93	3.03	7.10	3.03	7.58	3.03	7.89	3.03
2.5+7.1	22.0	8.27	2.55	8.65	2.60	9.03	2.65	9.22	2.67	9.78	2.75	10.16	2.80
	25.0	8.04	2.64	8.42	2.69	8.80	2.74	8.99	2.76	9.55	2.84	9.93	2.89
	32.0	7.50	2.87	7.88	2.92	8.26	2.97	8.45	3.00	9.02	3.07	9.40	3.12
	35.0	7.27	2.98	7.65	3.03	8.03	3.08	8.22	3.10	8.79	3.18	9.17	3.23
	40.0	6.89	3.17	7.27	3.22	7.65	3.27	7.84	3.29	8.41	3.37	8.78	3.42
	43.0	6.66	3.29	7.04	3.34	7.42	3.39	7.61	3.41	8.18	3.49	8.55	3.54
	46.0	6.41	3.03	6.75	3.03	7.08	3.03	7.24	3.03	7.72	3.03	8.04	3.03
3.5+3.5	22.0	6.59	1.87	7.65	2.33	7.98	2.37	8.15	2.40	8.65	2.46	8.99	2.51
	25.0	6.59	2.04	7.44	2.41	7.78	2.46	7.95	2.48	8.45	2.54	8.78	2.59
	32.0	6.59	2.54	6.97	2.62	7.31	2.66	7.47	2.69	7.98	2.75	8.31	2.80
	35.0	6.43	2.67	6.77	2.72	7.10	2.76	7.27	2.78	7.77	2.85	8.11	2.89
	40.0	6.09	2.84	6.43	2.89	6.76	2.93	6.93	2.95	7.43	3.02	7.77	3.06
	43.0	5.89	2.95	6.23	3.00	6.56	3.04	6.73	3.06	7.23	3.13	7.57	3.17
	46.0	5.69	3.03	6.01	3.03	6.33	3.03	6.49	3.03	6.95	3.03	7.26	3.03

3D052449-2A

SYMBOLS

TC : Total capacity (kW)
PI : Power input (kW)

NOTES

Capacities are based on following conditions
Corresponding refrigerant piping length: 7.5 m
Level difference: 0 m

The above is the value for connecting with the following indoor units.
2.0 kW class; FTXS20D3VMW/L 2.5 kW class; FTXS25D3VMW/L
3.5 kW class; FTXS35D3VMW/L 5.0 kW class; FTXS50EV1B
6.0 kW class; FTXS60EV1B 7.1 kW class; FTXS71EV1B

5 Capacity tables

5 - 2 Cooling capacity tables

5MKS90E													
Cooling [50Hz 230V]													
Combination (Capacity)	Outdoor air temp. °CDB	Indoor air temp.: °CWB											
		14°C		16°C		18°C		19°C		22°C		24°C	
		TC kW	PI kW	TC kW	PI kW	TC kW	PI kW	TC kW	PI kW	TC kW	PI kW	TC kW	PI kW
3.5+5.0	22.0	8.06	2.44	8.43	2.49	8.80	2.54	8.98	2.56	9.53	2.63	9.90	2.68
	25.0	7.83	2.53	8.20	2.58	8.57	2.62	8.76	2.65	9.31	2.72	9.68	2.77
	32.0	7.31	2.75	7.68	2.80	8.05	2.85	8.23	2.87	8.79	2.94	9.16	2.99
	35.0	7.09	2.85	7.46	2.90	7.83	2.95	8.01	2.97	8.56	3.04	8.93	3.09
	40.0	6.71	3.04	7.08	3.08	7.45	3.13	7.64	3.16	8.19	3.23	8.56	3.27
	43.0	6.49	3.15	6.86	3.20	7.23	3.25	7.41	3.27	7.97	3.34	8.34	3.39
	46.0	6.24	3.03	6.58	3.03	6.92	3.03	7.08	3.03	7.56	3.03	7.88	3.03
3.5+6.0	22.0	8.26	2.55	8.64	2.60	9.01	2.65	9.20	2.67	9.77	2.75	10.15	2.80
	25.0	8.03	2.64	8.41	2.69	8.79	2.74	8.97	2.76	9.54	2.84	9.92	2.89
	32.0	7.49	2.87	7.87	2.92	8.25	2.97	8.44	3.00	9.01	3.07	9.38	3.12
	35.0	7.26	2.98	7.64	3.03	8.02	3.08	8.21	3.10	8.78	3.18	9.16	3.23
	40.0	6.88	3.17	7.26	3.22	7.64	3.27	7.83	3.29	8.40	3.37	8.77	3.42
	43.0	6.65	3.29	7.03	3.34	7.41	3.39	7.60	3.41	8.17	3.49	8.54	3.54
	46.0	6.40	3.03	6.74	3.03	7.07	3.03	7.23	3.03	7.72	3.03	8.03	3.03
3.5+7.1	22.0	8.46	2.70	8.85	2.76	9.23	2.81	9.43	2.84	10.01	2.91	10.40	2.97
	25.0	8.22	2.80	8.61	2.85	9.00	2.91	9.19	2.93	9.77	3.01	10.16	3.06
	32.0	7.68	3.05	8.06	3.10	8.45	3.15	8.64	3.18	9.23	3.26	9.61	3.31
	35.0	7.44	3.16	7.83	3.21	8.22	3.27	8.41	3.29	8.99	3.37	9.38	3.43
	40.0	7.05	3.36	7.44	3.42	7.82	3.47	8.02	3.50	8.60	3.57	8.99	3.63
	43.0	6.81	3.49	7.20	3.54	7.59	3.60	7.78	3.60	8.35	3.60	8.72	3.60
	46.0	6.58	3.03	6.92	3.03	7.25	3.03	7.41	3.03	7.89	3.03	8.20	3.03
5.0+5.0	22.0	8.81	2.61	9.22	2.66	9.62	2.72	9.82	2.74	10.43	2.82	10.83	2.87
	25.0	8.57	2.71	8.97	2.76	9.37	2.81	9.58	2.83	10.18	2.91	10.58	2.96
	32.0	8.00	2.95	8.40	3.00	8.80	3.05	9.00	3.07	9.61	3.15	10.01	3.20
	35.0	7.75	3.06	8.15	3.11	8.56	3.16	8.76	3.18	9.37	3.26	9.77	3.31
	40.0	7.34	3.25	7.75	3.30	8.15	3.35	8.35	3.38	8.96	3.45	9.36	3.51
	43.0	7.10	3.38	7.50	3.43	7.91	3.48	8.11	3.50	8.71	3.58	9.10	3.60
	46.0	6.79	3.03	7.14	3.03	7.48	3.03	7.65	3.03	8.15	3.03	8.48	3.03
5.0+6.0	22.0	8.84	2.62	9.25	2.67	9.65	2.72	9.85	2.75	10.46	2.83	10.87	2.88
	25.0	8.60	2.72	9.00	2.77	9.41	2.82	9.61	2.84	10.22	2.92	10.62	2.97
	32.0	8.02	2.95	8.43	3.01	8.83	3.06	9.04	3.08	9.64	3.16	10.05	3.21
	35.0	7.78	3.07	8.18	3.12	8.59	3.17	8.79	3.19	9.40	3.27	9.80	3.32
	40.0	7.37	3.26	7.77	3.31	8.18	3.36	8.38	3.39	8.99	3.47	9.39	3.52
	43.0	7.12	3.39	7.53	3.44	7.93	3.49	8.14	3.51	8.74	3.59	9.13	3.60
	46.0	6.81	3.03	7.16	3.03	7.51	3.03	7.68	3.03	8.18	3.03	8.50	3.03
5.0+7.1	22.0	9.04	2.74	9.46	2.79	9.87	2.84	10.08	2.87	10.70	2.95	11.11	3.00
	25.0	8.79	2.83	9.21	2.89	9.62	2.94	9.83	2.97	10.45	3.05	10.86	3.10
	32.0	8.21	3.08	8.62	3.14	9.03	3.19	9.24	3.22	9.86	3.30	10.28	3.35
	35.0	7.95	3.20	8.37	3.25	8.78	3.31	8.99	3.33	9.61	3.41	10.03	3.47
	40.0	7.54	3.40	7.95	3.46	8.36	3.51	8.57	3.54	9.19	3.62	9.61	3.67
	43.0	7.28	3.53	7.70	3.59	8.11	3.60	8.31	3.60	8.91	3.60	9.29	3.60
	46.0	6.97	3.03	7.32	3.03	7.66	3.03	7.83	3.03	8.33	3.03	8.66	3.03

3D052449-2A

SYMBOLS

TC : Total capacity (kW)
PI : Power input (kW)

NOTES

Capacities are based on following conditions
Corresponding refrigerant piping length: 7.5 m
Level difference: 0 m

The above is the value for connecting with the following indoor units.
2.0 kW class; FTXS20D3VMW/L 2.5 kW class; FTXS25D3VMW/L
3.5 kW class; FTXS35D3VMW/L 5.0 kW class; FTXS50EV1B
6.0 kW class; FTXS60EV1B 7.1 kW class; FTXS71EV1B

5 Capacity tables

5 - 2 Cooling capacity tables

5

5MKS90E

Cooling [50Hz 230V]

Combination (Capacity)	Outdoor air temp. °CDB	Indoor air temp.: °CWB											
		14°C		16°C		18°C		19°C		22°C		24°C	
		TC kW	PI kW	TC kW	PI kW	TC kW	PI kW	TC kW	PI kW	TC kW	PI kW	TC kW	PI kW
6.0+6.0	22.0	9.05	2.74	9.47	2.79	9.88	2.84	10.09	2.87	10.71	2.95	11.13	3.00
	25.0	8.80	2.83	9.22	2.89	9.63	2.94	9.84	2.97	10.46	3.05	10.87	3.10
	32.0	8.21	3.08	8.63	3.14	9.04	3.19	9.25	3.22	9.87	3.30	10.29	3.35
	35.0	7.96	3.20	8.38	3.25	8.79	3.31	9.00	3.33	9.62	3.41	10.04	3.47
	40.0	7.54	3.40	7.96	3.46	8.37	3.51	8.58	3.54	9.20	3.62	9.62	3.67
	43.0	7.29	3.53	7.71	3.59	8.12	3.60	8.32	3.60	8.92	3.60	9.30	3.60
	46.0	6.98	3.03	7.33	3.03	7.67	3.03	7.84	3.03	8.34	3.03	8.66	3.03
6.0+7.1	22.0	9.07	2.74	9.49	2.79	9.90	2.84	10.11	2.87	10.74	2.95	11.15	3.00
	25.0	8.82	2.83	9.24	2.89	9.65	2.94	9.86	2.97	10.48	3.05	10.90	3.10
	32.0	8.23	3.08	8.65	3.14	9.06	3.19	9.27	3.22	9.90	3.30	10.31	3.35
	35.0	7.98	3.20	8.40	3.25	8.81	3.31	9.02	3.33	9.64	3.41	10.06	3.47
	40.0	7.56	3.40	7.98	3.46	8.39	3.51	8.60	3.54	9.22	3.62	9.64	3.67
	43.0	7.31	3.53	7.72	3.59	8.14	3.60	8.34	3.60	8.93	3.60	9.32	3.60
	46.0	6.99	3.03	7.34	3.03	7.69	3.03	7.86	3.03	8.35	3.03	8.68	3.03
7.1+7.1	22.0	9.09	2.74	9.51	2.80	9.93	2.85	10.13	2.88	10.76	2.96	11.18	3.01
	25.0	8.84	2.84	9.26	2.90	9.67	2.95	9.88	2.98	10.51	3.06	10.92	3.11
	32.0	8.25	3.09	8.67	3.15	9.08	3.20	9.29	3.23	9.92	3.31	10.33	3.36
	35.0	8.00	3.21	8.42	3.26	8.83	3.32	9.04	3.34	9.66	3.42	10.08	3.48
	40.0	7.58	3.42	7.99	3.47	8.41	3.52	8.62	3.55	9.24	3.63	9.66	3.68
	43.0	7.33	3.55	7.74	3.60	8.15	3.60	8.36	3.60	8.95	3.60	9.34	3.60
	46.0	7.00	3.03	7.36	3.03	7.70	3.03	7.87	3.03	8.37	3.03	8.69	3.03
2.0+2.0+2.0	22.0	6.67	1.68	6.97	1.72	7.28	1.75	7.43	1.77	7.89	1.82	8.20	1.85
	25.0	6.48	1.75	6.79	1.78	7.09	1.81	7.25	1.83	7.71	1.88	8.01	1.91
	32.0	6.05	1.90	6.36	1.93	6.66	1.96	6.82	1.98	7.27	2.03	7.58	2.06
	35.0	5.87	1.97	6.17	2.00	6.48	2.04	6.63	2.05	7.09	2.10	7.39	2.13
	40.0	5.56	2.10	5.86	2.13	6.17	2.16	6.32	2.18	6.78	2.23	7.08	2.26
	43.0	5.37	2.18	5.68	2.21	5.98	2.24	6.14	2.26	6.59	2.31	6.90	2.34
	46.0	5.19	2.26	5.49	2.29	5.80	2.32	5.95	2.34	6.41	2.39	6.71	2.42
2.0+2.0+2.5	22.0	7.01	1.87	7.33	1.90	7.65	1.94	7.81	1.96	8.30	2.01	8.62	2.05
	25.0	6.82	1.93	7.14	1.97	7.46	2.01	7.62	2.02	8.10	2.08	8.42	2.11
	32.0	6.36	2.10	6.68	2.14	7.00	2.18	7.16	2.19	7.65	2.25	7.97	2.28
	35.0	6.17	2.18	6.49	2.22	6.81	2.25	6.97	2.27	7.45	2.33	7.77	2.36
	40.0	5.84	2.32	6.16	2.36	6.48	2.39	6.65	2.41	7.13	2.47	7.45	2.50
	43.0	5.65	2.41	5.97	2.45	6.29	2.48	6.45	2.50	6.93	2.55	7.25	2.59
	46.0	5.45	2.50	5.77	2.54	6.10	2.57	6.26	2.59	6.74	2.65	7.06	2.68
2.0+2.0+3.5	22.0	7.68	2.24	8.04	2.29	8.39	2.33	8.56	2.35	9.09	2.42	9.44	2.46
	25.0	7.47	2.32	7.82	2.37	8.18	2.41	8.35	2.43	8.88	2.50	9.23	2.54
	32.0	6.97	2.53	7.33	2.57	7.68	2.62	7.85	2.64	8.38	2.70	8.73	2.75
	35.0	6.76	2.62	7.11	2.67	7.46	2.71	7.64	2.73	8.17	2.80	8.52	2.84
	40.0	6.40	2.79	6.76	2.84	7.11	2.88	7.28	2.90	7.81	2.97	8.16	3.01
	43.0	6.19	2.90	6.54	2.94	6.89	2.98	7.07	3.01	7.60	3.07	7.95	3.12
	46.0	5.98	3.01	6.32	3.03	6.66	3.03	6.82	3.03	7.31	3.03	7.62	3.03

3D052449-3A

SYMBOLS

TC : Total capacity (kW)
PI : Power input (kW)

NOTES

Capacities are based on following conditions
Corresponding refrigerant piping length: 7.5 m
Level difference: 0 m

The above is the value for connecting with the following indoor units.
2.0 kW class; FTXS20D3VMW/L 2.5 kW class; FTXS25D3VMW/L
3.5 kW class; FTXS35D3VMW/L 5.0 kW class; FTXS50EV1B
6.0 kW class; FTXS60EV1B 7.1 kW class; FTXS71EV1B

5 Capacity tables

5 - 2 Cooling capacity tables

5MKS90E

Cooling [50Hz 230V]

Combination (Capacity)	Outdoor air temp. °CDB	Indoor air temp.: °CWB											
		14°C		16°C		18°C		19°C		22°C		24°C	
		TC kW	PI kW	TC kW	PI kW	TC kW	PI kW	TC kW	PI kW	TC kW	PI kW	TC kW	PI kW
2.0+2.0+5.0	22.0	8.58	2.46	8.97	2.51	9.37	2.55	9.56	2.58	10.15	2.65	10.55	2.70
	25.0	8.34	2.55	8.73	2.59	9.13	2.64	9.32	2.67	9.91	2.74	10.31	2.78
	32.0	7.79	2.77	8.18	2.82	8.57	2.87	8.77	2.89	9.36	2.96	9.75	3.01
	35.0	7.55	2.87	7.94	2.92	8.33	2.97	8.53	2.99	9.12	3.06	9.51	3.11
	40.0	7.15	3.06	7.54	3.11	7.94	3.15	8.13	3.18	8.72	3.25	9.12	3.30
	43.0	6.91	3.17	7.31	3.22	7.70	3.27	7.89	3.29	8.48	3.36	8.88	3.41
	46.0	6.62	3.03	6.97	3.03	7.32	3.03	7.49	3.03	8.00	3.03	8.32	3.03
2.0+2.0+6.0	22.0	8.89	2.62	9.30	2.67	9.71	2.72	9.91	2.75	10.52	2.83	10.93	2.88
	25.0	8.65	2.72	9.05	2.77	9.46	2.82	9.66	2.84	10.27	2.92	10.68	2.97
	32.0	8.07	2.95	8.48	3.01	8.88	3.06	9.09	3.08	9.70	3.16	10.11	3.21
	35.0	7.82	3.07	8.23	3.12	8.64	3.17	8.84	3.19	9.45	3.27	9.86	3.32
	40.0	7.41	3.26	7.82	3.31	8.22	3.36	8.43	3.39	9.04	3.47	9.45	3.52
	43.0	7.16	3.39	7.57	3.44	7.98	3.49	8.18	3.51	8.79	3.59	9.18	3.60
	46.0	6.84	3.03	7.20	3.03	7.54	3.03	7.71	3.03	8.21	3.03	8.54	3.03
2.0+2.0+7.1	22.0	9.08	2.74	9.50	2.80	9.92	2.85	10.12	2.88	10.75	2.96	11.16	3.01
	25.0	8.83	2.84	9.25	2.90	9.66	2.95	9.87	2.98	10.49	3.06	10.91	3.11
	32.0	8.24	3.09	8.66	3.15	9.07	3.20	9.28	3.23	9.91	3.31	10.32	3.36
	35.0	7.99	3.21	8.41	3.26	8.82	3.32	9.03	3.34	9.65	3.42	10.07	3.48
	40.0	7.57	3.42	7.99	3.47	8.40	3.52	8.61	3.55	9.23	3.63	9.65	3.68
	43.0	7.32	3.55	7.73	3.60	8.14	3.60	8.35	3.60	8.94	3.60	9.33	3.60
	46.0	7.00	3.03	7.35	3.03	7.69	3.03	7.86	3.03	8.36	3.03	8.69	3.03
2.0+2.5+2.5	22.0	7.35	2.05	7.69	2.09	8.03	2.13	8.19	2.15	8.70	2.21	9.04	2.25
	25.0	7.15	2.12	7.49	2.16	7.82	2.20	7.99	2.22	8.50	2.28	8.83	2.32
	32.0	6.67	2.31	7.01	2.35	7.35	2.39	7.51	2.41	8.02	2.47	8.36	2.51
	35.0	6.47	2.39	6.80	2.43	7.14	2.47	7.31	2.49	7.82	2.55	8.15	2.59
	40.0	6.13	2.55	6.46	2.59	6.80	2.63	6.97	2.65	7.47	2.71	7.81	2.75
	43.0	5.92	2.64	6.26	2.68	6.60	2.72	6.77	2.74	7.27	2.80	7.61	2.84
	46.0	5.72	2.74	6.06	2.78	6.39	2.82	6.56	2.84	7.07	2.90	7.40	2.94
2.0+2.5+3.5	22.0	8.01	2.39	8.37	2.44	8.74	2.48	8.92	2.51	9.47	2.58	9.84	2.62
	25.0	7.78	2.48	8.15	2.52	8.52	2.57	8.70	2.59	9.25	2.66	9.62	2.71
	32.0	7.27	2.70	7.63	2.74	8.00	2.79	8.18	2.81	8.73	2.88	9.10	2.93
	35.0	7.04	2.80	7.41	2.84	7.78	2.89	7.96	2.91	8.51	2.98	8.88	3.03
	40.0	6.67	2.98	7.04	3.02	7.41	3.07	7.59	3.09	8.14	3.16	8.51	3.21
	43.0	6.45	3.09	6.82	3.14	7.18	3.18	7.37	3.21	7.92	3.27	8.28	3.32
	46.0	6.21	3.03	6.55	3.03	6.88	3.03	7.05	3.03	7.53	3.03	7.85	3.03
2.0+2.5+5.0	22.0	8.83	2.62	9.24	2.67	9.64	2.72	9.84	2.75	10.45	2.83	10.85	2.88
	25.0	8.59	2.72	8.99	2.77	9.40	2.82	9.60	2.84	10.20	2.92	10.61	2.97
	32.0	8.01	2.95	8.42	3.01	8.82	3.06	9.03	3.08	9.63	3.16	10.04	3.21
	35.0	7.77	3.07	8.17	3.12	8.58	3.17	8.78	3.19	9.39	3.27	9.79	3.32
	40.0	7.36	3.26	7.76	3.31	8.17	3.36	8.37	3.39	8.98	3.47	9.38	3.52
	43.0	7.11	3.39	7.52	3.44	7.92	3.49	8.13	3.51	8.73	3.59	9.12	3.60
	46.0	6.80	3.03	7.15	3.03	7.50	3.03	7.67	3.03	8.17	3.03	8.49	3.03

3D052449-3A

SYMBOLS

TC : Total capacity (kW)
PI : Power input (kW)

NOTES

Capacities are based on following conditions
Corresponding refrigerant piping length: 7.5 m
Level difference: 0 m

The above is the value for connecting with the following indoor units.
2.0 kW class; FTXS20D3VMW/L 2.5 kW class; FTXS25D3VMW/L
3.5 kW class; FTXS35D3VMW/L 5.0 kW class; FTXS50EV1B
6.0 kW class; FTXS60EV1B 7.1 kW class; FTXS71EV1B

5 Capacity tables

5 - 2 Cooling capacity tables

5

5MKS90E

Cooling [50Hz 230V]

Combination (Capacity)	Outdoor air temp. °CDB	Indoor air temp.: °CWB											
		14°C		16°C		18°C		19°C		22°C		24°C	
		TC kW	PI kW	TC kW	PI kW	TC kW	PI kW	TC kW	PI kW	TC kW	PI kW	TC kW	PI kW
2.0+2.5+6.0	22.0	8.89	2.62	9.30	2.67	9.71	2.72	9.91	2.75	10.52	2.83	10.93	2.88
	25.0	8.65	2.72	9.05	2.77	9.46	2.82	9.66	2.84	10.27	2.92	10.68	2.97
	32.0	8.07	2.95	8.48	3.01	8.88	3.06	9.09	3.08	9.70	3.16	10.11	3.21
	35.0	7.82	3.07	8.23	3.12	8.64	3.17	8.84	3.19	9.45	3.27	9.86	3.32
	40.0	7.41	3.26	7.82	3.31	8.22	3.36	8.43	3.39	9.04	3.47	9.45	3.52
	43.0	7.16	3.39	7.57	3.44	7.98	3.49	8.18	3.51	8.79	3.59	9.18	3.60
	46.0	6.84	3.03	7.20	3.03	7.54	3.03	7.71	3.03	8.21	3.03	8.54	3.03
2.0+2.5+7.1	22.0	9.08	2.74	9.50	2.80	9.92	2.85	10.12	2.88	10.75	2.96	11.16	3.01
	25.0	8.83	2.84	9.25	2.90	9.66	2.95	9.87	2.98	10.49	3.06	10.91	3.11
	32.0	8.24	3.09	8.66	3.15	9.07	3.20	9.28	3.23	9.91	3.31	10.32	3.36
	35.0	7.99	3.21	8.41	3.26	8.82	3.32	9.03	3.34	9.65	3.42	10.07	3.48
	40.0	7.57	3.42	7.99	3.47	8.40	3.52	8.61	3.55	9.23	3.63	9.65	3.68
	43.0	7.32	3.55	7.73	3.60	8.14	3.60	8.35	3.60	8.94	3.60	9.33	3.60
	46.0	7.00	3.03	7.35	3.03	7.69	3.03	7.86	3.03	8.36	3.03	8.69	3.03
2.0+3.5+3.5	22.0	8.28	2.56	8.66	2.61	9.04	2.66	9.23	2.68	9.80	2.75	10.17	2.80
	25.0	8.05	2.65	8.43	2.70	8.81	2.75	9.00	2.77	9.57	2.85	9.94	2.90
	32.0	7.51	2.88	7.89	2.93	8.27	2.98	8.46	3.01	9.03	3.08	9.41	3.13
	35.0	7.28	2.99	7.66	3.04	8.04	3.09	8.23	3.11	8.80	3.19	9.18	3.24
	40.0	6.90	3.18	7.28	3.23	7.66	3.28	7.85	3.30	8.42	3.38	8.79	3.43
	43.0	6.67	3.30	7.05	3.35	7.43	3.40	7.62	3.43	8.19	3.50	8.56	3.55
	46.0	6.41	3.03	6.75	3.03	7.09	3.03	7.25	3.03	7.73	3.03	8.04	3.03
2.0+3.5+5.0	22.0	8.86	2.62	9.27	2.67	9.67	2.72	9.88	2.75	10.49	2.83	10.89	2.88
	25.0	8.62	2.72	9.02	2.77	9.43	2.82	9.63	2.84	10.24	2.92	10.65	2.97
	32.0	8.04	2.95	8.45	3.01	8.85	3.06	9.06	3.08	9.66	3.16	10.07	3.21
	35.0	7.80	3.07	8.20	3.12	8.61	3.17	8.81	3.19	9.42	3.27	9.82	3.32
	40.0	7.39	3.26	7.79	3.31	8.20	3.36	8.40	3.39	9.01	3.47	9.41	3.52
	43.0	7.14	3.39	7.54	3.44	7.95	3.49	8.15	3.51	8.76	3.59	9.15	3.60
	46.0	6.82	3.03	7.18	3.03	7.52	3.03	7.69	3.03	8.19	3.03	8.52	3.03
2.0+3.5+6.0	22.0	9.07	2.74	9.49	2.79	9.90	2.84	10.11	2.87	10.74	2.95	11.15	3.00
	25.0	8.82	2.83	9.24	2.89	9.65	2.94	9.86	2.97	10.48	3.05	10.90	3.10
	32.0	8.23	3.08	8.65	3.14	9.06	3.19	9.27	3.22	9.90	3.30	10.31	3.35
	35.0	7.98	3.20	8.40	3.25	8.81	3.31	9.02	3.33	9.64	3.41	10.06	3.47
	40.0	7.56	3.40	7.98	3.46	8.39	3.51	8.60	3.54	9.22	3.62	9.64	3.67
	43.0	7.31	3.53	7.72	3.59	8.14	3.60	8.34	3.60	8.93	3.60	9.32	3.60
	46.0	6.99	3.03	7.34	3.03	7.69	3.03	7.86	3.03	8.35	3.03	8.68	3.03
2.0+3.5+7.1	22.0	9.09	2.79	9.51	2.84	9.93	2.89	10.13	2.92	10.76	3.00	11.18	3.06
	25.0	8.84	2.89	9.26	2.94	9.67	2.99	9.88	3.02	10.51	3.10	10.92	3.16
	32.0	8.25	3.14	8.67	3.19	9.08	3.25	9.29	3.28	9.92	3.36	10.33	3.41
	35.0	8.00	3.26	8.42	3.31	8.83	3.37	9.04	3.39	9.66	3.47	10.08	3.53
	40.0	7.58	3.47	7.99	3.52	8.41	3.57	8.62	3.60	9.24	3.68	9.66	3.74
	43.0	7.33	3.60	7.74	3.60	8.15	3.60	8.35	3.60	8.95	3.60	9.33	3.60
	46.0	7.02	3.03	7.37	3.03	7.71	3.03	7.88	3.03	8.38	3.03	8.70	3.03

3D052449-4A

SYMBOLS

TC : Total capacity (kW)
PI : Power input (kW)

NOTES

Capacities are based on following conditions
Corresponding refrigerant piping length: 7.5 m
Level difference: 0 m

The above is the value for connecting with the following indoor units.
2.0 kW class; FTXS20D3VMW/L 2.5 kW class; FTXS25D3VMW/L
3.5 kW class; FTXS35D3VMW/L 5.0 kW class; FTXS50EV1B
6.0 kW class; FTXS60EV1B 7.1 kW class; FTXS71EV1B

5 Capacity tables

5 - 2 Cooling capacity tables

5MKS90E

Cooling [50Hz 230V]

Combination (Capacity)	Outdoor air temp. °CDB	Indoor air temp.: °CWB											
		14°C		16°C		18°C		19°C		22°C		24°C	
		TC kW	PI kW	TC kW	PI kW	TC kW	PI kW	TC kW	PI kW	TC kW	PI kW	TC kW	PI kW
2.0+5.0+5.0	22.0	9.63	2.81	10.07	2.87	10.51	2.92	10.73	2.95	11.39	3.03	11.83	3.08
	25.0	9.36	2.91	9.80	2.97	10.24	3.02	10.46	3.05	11.12	3.13	11.56	3.19
	32.0	8.74	3.17	9.18	3.22	9.62	3.28	9.84	3.30	10.50	3.39	10.94	3.44
	35.0	8.47	3.29	8.91	3.34	9.35	3.40	9.57	3.42	10.23	3.51	10.67	3.56
	40.0	8.02	3.50	8.46	3.55	8.90	3.61	9.12	3.63	9.79	3.72	10.22	3.75
	43.0	7.75	3.60	8.19	3.60	8.61	3.60	8.82	3.60	9.44	3.60	9.84	3.60
	46.0	7.36	3.03	7.72	3.03	8.08	3.03	8.26	3.03	8.77	3.03	9.10	3.03
2.0+5.0+6.0	22.0	9.67	2.81	10.11	2.87	10.55	2.92	10.77	2.95	11.44	3.03	11.88	3.08
	25.0	9.40	2.91	9.84	2.97	10.28	3.02	10.50	3.05	11.17	3.13	11.61	3.19
	32.0	8.77	3.17	9.21	3.22	9.66	3.28	9.88	3.30	10.54	3.39	10.99	3.44
	35.0	8.50	3.29	8.95	3.34	9.39	3.40	9.61	3.42	10.27	3.51	10.72	3.56
	40.0	8.06	3.50	8.50	3.55	8.94	3.61	9.16	3.63	9.83	3.72	10.26	3.75
	43.0	7.79	3.60	8.22	3.60	8.65	3.60	8.86	3.60	9.47	3.60	9.88	3.60
	46.0	7.39	3.03	7.75	3.03	8.11	3.03	8.28	3.03	8.80	3.03	9.14	3.03
2.0+5.0+7.1	22.0	9.69	2.82	10.13	2.87	10.57	2.93	10.80	2.96	11.46	3.04	11.91	3.09
	25.0	9.42	2.92	9.86	2.97	10.30	3.03	10.53	3.06	11.19	3.14	11.64	3.19
	32.0	8.79	3.18	9.23	3.23	9.68	3.29	9.90	3.31	10.56	3.40	11.01	3.45
	35.0	8.52	3.30	8.96	3.35	9.41	3.41	9.63	3.43	10.30	3.52	10.74	3.57
	40.0	8.07	3.51	8.52	3.56	8.96	3.62	9.18	3.64	9.85	3.73	10.28	3.75
	43.0	7.80	3.60	8.24	3.60	8.67	3.60	8.88	3.60	9.49	3.60	9.89	3.60
	46.0	7.40	3.03	7.77	3.03	8.12	3.03	8.30	3.03	8.81	3.03	9.15	3.03
2.0+6.0+6.0	22.0	9.70	2.82	10.14	2.87	10.58	2.93	10.81	2.96	11.47	3.04	11.92	3.09
	25.0	9.43	2.92	9.87	2.97	10.32	3.03	10.54	3.06	11.20	3.14	11.65	3.19
	32.0	8.80	3.18	9.24	3.23	9.69	3.29	9.91	3.31	10.58	3.40	11.02	3.45
	35.0	8.53	3.30	8.97	3.35	9.42	3.41	9.64	3.43	10.31	3.52	10.75	3.57
	40.0	8.08	3.51	8.52	3.56	8.97	3.62	9.19	3.64	9.86	3.73	10.29	3.75
	43.0	7.81	3.60	8.25	3.60	8.67	3.60	8.88	3.60	9.50	3.60	9.90	3.60
	46.0	7.41	3.03	7.77	3.03	8.13	3.03	8.31	3.03	8.82	3.03	9.16	3.03
2.0+6.0+7.1	22.0	10.16	3.26	10.62	3.33	11.09	3.39	11.32	3.42	12.02	3.52	12.49	3.58
	25.0	9.88	3.38	10.34	3.44	10.81	3.51	11.04	3.54	11.74	3.63	12.20	3.70
	32.0	9.22	3.68	9.68	3.74	10.15	3.80	10.38	3.84	11.08	3.93	11.55	4.00
	35.0	8.94	3.82	9.40	3.88	9.87	3.94	10.10	3.97	10.79	4.02	11.23	4.02
	40.0	8.47	3.75	8.93	3.75	9.40	3.75	9.61	3.75	10.25	3.75	10.66	3.75
	43.0	8.18	3.60	8.65	3.60	9.11	3.60	9.35	3.60	9.96	3.60	10.36	3.60
	46.0	7.90	3.03	8.27	3.03	8.62	3.03	8.79	3.03	9.30	3.03	9.63	3.03
2.5+2.5+2.5	22.0	7.68	2.24	8.04	2.29	8.39	2.33	8.56	2.35	9.09	2.42	9.44	2.46
	25.0	7.47	2.32	7.82	2.37	8.18	2.41	8.35	2.43	8.88	2.50	9.23	2.54
	32.0	6.97	2.53	7.33	2.57	7.68	2.62	7.85	2.64	8.38	2.70	8.73	2.75
	35.0	6.76	2.62	7.11	2.67	7.46	2.71	7.64	2.73	8.17	2.80	8.52	2.84
	40.0	6.40	2.79	6.76	2.84	7.11	2.88	7.28	2.90	7.81	2.97	8.16	3.01
	43.0	6.19	2.90	6.54	2.94	6.89	2.98	7.07	3.01	7.60	3.07	7.95	3.12
	46.0	5.98	3.01	6.32	3.03	6.66	3.03	6.82	3.03	7.31	3.03	7.62	3.03

3D052449-4A

SYMBOLS

TC : Total capacity (kW)
PI : Power input (kW)

NOTES

Capacities are based on following conditions
Corresponding refrigerant piping length: 7.5 m
Level difference: 0 m

The above is the value for connecting with the following indoor units.
2.0 kW class; FTXS20D3VMW/L 2.5 kW class; FTXS25D3VMW/L
3.5 kW class; FTXS35D3VMW/L 5.0 kW class; FTXS50EV1B
6.0 kW class; FTXS60EV1B 7.1 kW class; FTXS71EV1B

5 Capacity tables

5 - 2 Cooling capacity tables

5

5MKS90E

Cooling [50Hz 230V]

Combination (Capacity)	Outdoor air temp. °CDB	Indoor air temp.: °CWB											
		14°C		16°C		18°C		19°C		22°C		24°C	
		TC kW	PI kW	TC kW	PI kW	TC kW	PI kW	TC kW	PI kW	TC kW	PI kW	TC kW	PI kW
2.5+2.5+3.5	22.0	8.10	2.45	8.47	2.50	8.84	2.54	9.02	2.57	9.58	2.64	9.95	2.69
	25.0	7.87	2.54	8.24	2.58	8.61	2.63	8.80	2.66	9.36	2.73	9.73	2.78
	32.0	7.35	2.76	7.72	2.81	8.09	2.86	8.27	2.88	8.83	2.95	9.20	3.00
	35.0	7.12	2.86	7.49	2.91	7.86	2.96	8.05	2.98	8.61	3.05	8.98	3.10
	40.0	6.75	3.05	7.12	3.09	7.49	3.14	7.68	3.17	8.23	3.24	8.60	3.29
	43.0	6.52	3.16	6.89	3.21	7.26	3.26	7.45	3.28	8.01	3.35	8.38	3.40
	46.0	6.27	3.03	6.61	3.03	6.95	3.03	7.11	3.03	7.59	3.03	7.91	3.03
2.5+2.5+5.0	22.0	8.85	2.62	9.26	2.67	9.66	2.72	9.87	2.75	10.47	2.83	10.88	2.88
	25.0	8.61	2.72	9.01	2.77	9.42	2.82	9.62	2.84	10.23	2.92	10.63	2.97
	32.0	8.03	2.95	8.44	3.01	8.84	3.06	9.05	3.08	9.65	3.16	10.06	3.21
	35.0	7.79	3.07	8.19	3.12	8.60	3.17	8.80	3.19	9.41	3.27	9.81	3.32
	40.0	7.38	3.26	7.78	3.31	8.19	3.36	8.39	3.39	9.00	3.47	9.40	3.52
	43.0	7.13	3.39	7.54	3.44	7.94	3.49	8.14	3.51	8.75	3.59	9.14	3.60
	46.0	6.82	3.03	7.17	3.03	7.51	3.03	7.68	3.03	8.18	3.03	8.51	3.03
2.5+2.5+6.0	22.0	8.89	2.62	9.30	2.67	9.71	2.72	9.91	2.75	10.52	2.83	10.93	2.88
	25.0	8.65	2.72	9.05	2.77	9.46	2.82	9.66	2.84	10.27	2.92	10.68	2.97
	32.0	8.07	2.95	8.48	3.01	8.88	3.06	9.09	3.08	9.70	3.16	10.11	3.21
	35.0	7.82	3.07	8.23	3.12	8.64	3.17	8.84	3.19	9.45	3.27	9.86	3.32
	40.0	7.41	3.26	7.82	3.31	8.22	3.36	8.43	3.39	9.04	3.47	9.45	3.52
	43.0	7.16	3.39	7.57	3.44	7.98	3.49	8.18	3.51	8.79	3.59	9.18	3.60
	46.0	6.84	3.03	7.20	3.03	7.54	3.03	7.71	3.03	8.21	3.03	8.54	3.03
2.5+2.5+7.1	22.0	9.08	2.74	9.50	2.80	9.92	2.85	10.12	2.88	10.75	2.96	11.16	3.01
	25.0	8.83	2.84	9.25	2.90	9.66	2.95	9.87	2.98	10.49	3.06	10.91	3.11
	32.0	8.24	3.09	8.66	3.15	9.07	3.20	9.28	3.23	9.91	3.31	10.32	3.36
	35.0	7.99	3.21	8.41	3.26	8.82	3.32	9.03	3.34	9.65	3.42	10.07	3.48
	40.0	7.57	3.42	7.99	3.47	8.40	3.52	8.61	3.55	9.23	3.63	9.65	3.68
	43.0	7.32	3.55	7.73	3.60	8.14	3.60	8.35	3.60	8.94	3.60	9.33	3.60
	46.0	7.00	3.03	7.35	3.03	7.69	3.03	7.86	3.03	8.36	3.03	8.69	3.03
2.5+3.5+3.5	22.0	8.28	2.56	8.66	2.61	9.04	2.66	9.23	2.68	9.80	2.75	10.17	2.80
	25.0	8.05	2.65	8.43	2.70	8.81	2.75	9.00	2.77	9.57	2.85	9.94	2.90
	32.0	7.51	2.88	7.89	2.93	8.27	2.98	8.46	3.01	9.03	3.08	9.41	3.13
	35.0	7.28	2.99	7.66	3.04	8.04	3.09	8.23	3.11	8.80	3.19	9.18	3.24
	40.0	6.90	3.18	7.28	3.23	7.66	3.28	7.85	3.30	8.42	3.38	8.79	3.43
	43.0	6.67	3.30	7.05	3.35	7.43	3.40	7.62	3.43	8.19	3.50	8.56	3.55
	46.0	6.41	3.03	6.75	3.03	7.09	3.03	7.25	3.03	7.73	3.03	8.04	3.03
2.5+3.5+5.0	22.0	8.86	2.62	9.27	2.67	9.67	2.72	9.88	2.75	10.49	2.83	10.89	2.88
	25.0	8.62	2.72	9.02	2.77	9.43	2.82	9.63	2.84	10.24	2.92	10.65	2.97
	32.0	8.04	2.95	8.45	3.01	8.85	3.06	9.06	3.08	9.66	3.16	10.07	3.21
	35.0	7.80	3.07	8.20	3.12	8.61	3.17	8.81	3.19	9.42	3.27	9.82	3.32
	40.0	7.39	3.26	7.79	3.31	8.20	3.36	8.40	3.39	9.01	3.47	9.41	3.52
	43.0	7.14	3.39	7.54	3.44	7.95	3.49	8.15	3.51	8.76	3.59	9.15	3.60
	46.0	6.82	3.03	7.18	3.03	7.52	3.03	7.69	3.03	8.19	3.03	8.52	3.03

3D052449-5A

SYMBOLS

TC : Total capacity (kW)
PI : Power input (kW)

NOTES

Capacities are based on following conditions
Corresponding refrigerant piping length: 7.5 m
Level difference: 0 m

The above is the value for connecting with the following indoor units.
2.0 kW class; FTXS20D3VMW/L
3.5 kW class; FTXS35D3VMW/L
6.0 kW class; FTXS60EV1B
2.5 kW class; FTXS25D3VMW/L
5.0 kW class; FTXS50EV1B
7.1 kW class; FTXS71EV1B

5 Capacity tables

5 - 2 Cooling capacity tables

5MKS90E													
Cooling [50Hz 230V]													
Combination (Capacity)	Outdoor air temp. °CDB	Indoor air temp.: °CWB											
		14°C		16°C		18°C		19°C		22°C		24°C	
		TC kW	PI kW	TC kW	PI kW	TC kW	PI kW	TC kW	PI kW	TC kW	PI kW	TC kW	PI kW
2.5+3.5+6.0	22.0	9.07	2.74	9.49	2.79	9.90	2.84	10.11	2.87	10.74	2.95	11.15	3.00
	25.0	8.82	2.83	9.24	2.89	9.65	2.94	9.86	2.97	10.48	3.05	10.90	3.10
	32.0	8.23	3.08	8.65	3.14	9.06	3.19	9.27	3.22	9.90	3.30	10.31	3.35
	35.0	7.98	3.20	8.40	3.25	8.81	3.31	9.02	3.33	9.64	3.41	10.06	3.47
	40.0	7.56	3.40	7.98	3.46	8.39	3.51	8.60	3.54	9.22	3.62	9.64	3.67
	43.0	7.31	3.53	7.72	3.59	8.14	3.60	8.34	3.60	8.93	3.60	9.32	3.60
	46.0	6.99	3.03	7.34	3.03	7.69	3.03	7.86	3.03	8.35	3.03	8.68	3.03
2.5+3.5+7.1	22.0	9.09	2.79	9.51	2.84	9.93	2.89	10.13	2.92	10.76	3.00	11.18	3.06
	25.0	8.84	2.89	9.26	2.94	9.67	2.99	9.88	3.02	10.51	3.10	10.92	3.16
	32.0	8.25	3.14	8.67	3.19	9.08	3.25	9.29	3.28	9.92	3.36	10.33	3.41
	35.0	8.00	3.26	8.42	3.31	8.83	3.37	9.04	3.39	9.66	3.47	10.08	3.53
	40.0	7.58	3.47	7.99	3.52	8.41	3.57	8.62	3.60	9.24	3.68	9.66	3.74
	43.0	7.33	3.60	7.74	3.60	8.15	3.60	8.35	3.60	8.95	3.60	9.33	3.60
	46.0	7.02	3.03	7.37	3.03	7.71	3.03	7.88	3.03	8.38	3.03	8.70	3.03
2.5+5.0+5.0	22.0	9.63	2.81	10.07	2.87	10.51	2.92	10.73	2.95	11.39	3.03	11.83	3.08
	25.0	9.36	2.91	9.80	2.97	10.24	3.02	10.46	3.05	11.12	3.13	11.56	3.19
	32.0	8.74	3.17	9.18	3.22	9.62	3.28	9.84	3.30	10.50	3.39	10.94	3.44
	35.0	8.47	3.29	8.91	3.34	9.35	3.40	9.57	3.42	10.23	3.51	10.67	3.56
	40.0	8.02	3.50	8.46	3.55	8.90	3.61	9.12	3.63	9.79	3.72	10.22	3.75
	43.0	7.75	3.60	8.19	3.60	8.61	3.60	8.82	3.60	9.44	3.60	9.84	3.60
	46.0	7.36	3.03	7.72	3.03	8.08	3.03	8.26	3.03	8.77	3.03	9.10	3.03
2.5+5.0+6.0	22.0	9.67	2.81	10.11	2.87	10.55	2.92	10.77	2.95	11.44	3.03	11.88	3.08
	25.0	9.40	2.91	9.84	2.97	10.28	3.02	10.50	3.05	11.17	3.13	11.61	3.19
	32.0	8.77	3.17	9.21	3.22	9.66	3.28	9.88	3.30	10.54	3.39	10.99	3.44
	35.0	8.50	3.29	8.95	3.34	9.39	3.40	9.61	3.42	10.27	3.51	10.72	3.56
	40.0	8.06	3.50	8.50	3.55	8.94	3.61	9.16	3.63	9.83	3.72	10.26	3.75
	43.0	7.79	3.60	8.22	3.60	8.65	3.60	8.86	3.60	9.47	3.60	9.88	3.60
	46.0	7.39	3.03	7.75	3.03	8.11	3.03	8.28	3.03	8.80	3.03	9.14	3.03
2.5+5.0+7.1	22.0	9.69	2.82	10.13	2.87	10.57	2.93	10.80	2.96	11.46	3.04	11.91	3.09
	25.0	9.42	2.92	9.86	2.97	10.30	3.03	10.53	3.06	11.19	3.14	11.64	3.19
	32.0	8.79	3.18	9.23	3.23	9.68	3.29	9.90	3.31	10.56	3.40	11.01	3.45
	35.0	8.52	3.30	8.96	3.35	9.41	3.41	9.63	3.43	10.30	3.52	10.74	3.57
	40.0	8.07	3.51	8.52	3.56	8.96	3.62	9.18	3.64	9.85	3.73	10.28	3.75
	43.0	7.80	3.60	8.24	3.60	8.67	3.60	8.88	3.60	9.49	3.60	9.89	3.60
	46.0	7.40	3.03	7.77	3.03	8.12	3.03	8.30	3.03	8.81	3.03	9.15	3.03
2.5+6.0+6.0	22.0	9.70	2.82	10.14	2.87	10.58	2.93	10.81	2.96	11.47	3.04	11.92	3.09
	25.0	9.43	2.92	9.87	2.97	10.32	3.03	10.54	3.06	11.20	3.14	11.65	3.19
	32.0	8.80	3.18	9.24	3.23	9.69	3.29	9.91	3.31	10.58	3.40	11.02	3.45
	35.0	8.53	3.30	8.97	3.35	9.42	3.41	9.64	3.43	10.31	3.52	10.75	3.57
	40.0	8.08	3.51	8.52	3.56	8.97	3.62	9.19	3.64	9.86	3.73	10.29	3.75
	43.0	7.81	3.60	8.25	3.60	8.67	3.60	8.88	3.60	9.50	3.60	9.90	3.60
	46.0	7.41	3.03	7.77	3.03	8.13	3.03	8.31	3.03	8.82	3.03	9.16	3.03

3D052449-5A

SYMBOLS

TC : Total capacity (kW)
PI : Power input (kW)

NOTES

Capacities are based on following conditions
Corresponding refrigerant piping length: 7.5 m
Level difference: 0 m

The above is the value for connecting with the following indoor units.
2.0 kW class; FTXS20D3VMW/L 2.5 kW class; FTXS25D3VMW/L
3.5 kW class; FTXS35D3VMW/L 5.0 kW class; FTXS50EV1B
6.0 kW class; FTXS60EV1B 7.1 kW class; FTXS71EV1B

5 Capacity tables

5 - 2 Cooling capacity tables

5

5MKS90E

Cooling [50Hz 230V]

Combination (Capacity)	Outdoor air temp. °CDB	Indoor air temp.: °CWB											
		14°C		16°C		18°C		19°C		22°C		24°C	
		TC kW	PI kW	TC kW	PI kW	TC kW	PI kW	TC kW	PI kW	TC kW	PI kW	TC kW	PI kW
2.5+6.0+7.1	22.0	10.16	3.26	10.62	3.33	11.09	3.39	11.32	3.42	12.02	3.52	12.49	3.58
	25.0	9.88	3.38	10.34	3.44	10.81	3.51	11.04	3.54	11.74	3.63	12.20	3.70
	32.0	9.22	3.68	9.68	3.74	10.15	3.80	10.38	3.84	11.08	3.93	11.55	4.00
	35.0	8.94	3.82	9.40	3.88	9.87	3.94	10.10	3.97	10.79	4.02	11.23	4.02
	40.0	8.47	3.75	8.93	3.75	9.40	3.75	9.61	3.75	10.25	3.75	10.66	3.75
	43.0	8.18	3.60	8.65	3.60	9.11	3.60	9.35	3.60	9.96	3.60	10.36	3.60
	46.0	7.90	3.03	8.27	3.03	8.62	3.03	8.79	3.03	9.30	3.03	9.63	3.03
3.5+3.5+3.5	22.0	8.40	2.66	8.78	2.71	9.17	2.77	9.36	2.79	9.94	2.87	10.32	2.92
	25.0	8.17	2.76	8.55	2.81	8.94	2.86	9.13	2.89	9.70	2.97	10.09	3.02
	32.0	7.62	3.00	8.01	3.05	8.39	3.10	8.58	3.13	9.16	3.21	9.55	3.26
	35.0	7.39	3.11	7.77	3.17	8.16	3.22	8.35	3.24	8.93	3.32	9.31	3.37
	40.0	7.00	3.31	7.38	3.36	7.77	3.42	7.96	3.44	8.54	3.52	8.92	3.57
	43.0	6.77	3.44	7.15	3.49	7.54	3.54	7.73	3.57	8.30	3.60	8.67	3.60
	46.0	6.53	3.03	6.86	3.03	7.19	3.03	7.35	3.03	7.83	3.03	8.14	3.03
3.5+3.5+5.0	22.0	9.04	2.74	9.46	2.79	9.87	2.84	10.08	2.87	10.70	2.95	11.11	3.00
	25.0	8.79	2.83	9.21	2.89	9.62	2.94	9.83	2.97	10.45	3.05	10.86	3.10
	32.0	8.21	3.08	8.62	3.14	9.03	3.19	9.24	3.22	9.86	3.30	10.28	3.35
	35.0	7.95	3.20	8.37	3.25	8.78	3.31	8.99	3.33	9.61	3.41	10.03	3.47
	40.0	7.54	3.40	7.95	3.46	8.36	3.51	8.57	3.54	9.19	3.62	9.61	3.67
	43.0	7.28	3.53	7.70	3.59	8.11	3.60	8.31	3.60	8.91	3.60	9.29	3.60
	46.0	6.97	3.03	7.32	3.03	7.66	3.03	7.83	3.03	8.33	3.03	8.66	3.03
3.5+3.5+6.0	22.0	9.08	2.74	9.50	2.79	9.92	2.84	10.12	2.87	10.75	2.95	11.16	3.00
	25.0	8.83	2.83	9.25	2.89	9.66	2.94	9.87	2.97	10.49	3.05	10.91	3.10
	32.0	8.24	3.08	8.66	3.14	9.07	3.19	9.28	3.22	9.91	3.30	10.32	3.35
	35.0	7.99	3.20	8.41	3.25	8.82	3.31	9.03	3.33	9.65	3.41	10.07	3.47
	40.0	7.57	3.40	7.99	3.46	8.40	3.51	8.61	3.54	9.23	3.62	9.65	3.67
	43.0	7.32	3.53	7.73	3.59	8.15	3.60	8.35	3.60	8.94	3.60	9.33	3.60
	46.0	7.00	3.03	7.35	3.03	7.69	3.03	7.86	3.03	8.36	3.03	8.69	3.03
3.5+3.5+7.1	22.0	9.10	2.74	9.52	2.80	9.94	2.85	10.15	2.88	10.77	2.96	11.19	3.01
	25.0	8.85	2.84	9.27	2.90	9.68	2.95	9.89	2.98	10.52	3.06	10.94	3.11
	32.0	8.26	3.09	8.68	3.15	9.09	3.20	9.30	3.23	9.93	3.31	10.35	3.36
	35.0	8.01	3.21	8.42	3.26	8.84	3.32	9.05	3.34	9.68	3.42	10.09	3.48
	40.0	7.59	3.42	8.00	3.47	8.42	3.52	8.63	3.55	9.25	3.63	9.67	3.68
	43.0	7.33	3.55	7.75	3.60	8.16	3.60	8.37	3.60	8.96	3.60	9.35	3.60
	46.0	7.01	3.03	7.36	3.03	7.71	3.03	7.88	3.03	8.38	3.03	8.70	3.03
3.5+5.0+5.0	22.0	9.64	2.81	10.08	2.87	10.52	2.92	10.74	2.95	11.40	3.03	11.84	3.08
	25.0	9.37	2.91	9.81	2.97	10.25	3.02	10.47	3.05	11.13	3.13	11.58	3.19
	32.0	8.74	3.17	9.19	3.22	9.63	3.28	9.85	3.30	10.51	3.39	10.95	3.44
	35.0	8.48	3.29	8.92	3.34	9.36	3.40	9.58	3.42	10.24	3.51	10.68	3.56
	40.0	8.03	3.50	8.47	3.55	8.91	3.61	9.13	3.63	9.80	3.72	10.23	3.75
	43.0	7.76	3.60	8.20	3.60	8.62	3.60	8.83	3.60	9.45	3.60	9.85	3.60
	46.0	7.37	3.03	7.73	3.03	8.09	3.03	8.26	3.03	8.78	3.03	9.11	3.03

3D052449-6A

SYMBOLS

TC : Total capacity (kW)
PI : Power input (kW)

NOTES

Capacities are based on following conditions
Corresponding refrigerant piping length: 7.5 m
Level difference: 0 m

The above is the value for connecting with the following indoor units.
2.0 kW class; FTXS20D3VMW/L 2.5 kW class; FTXS25D3VMW/L
3.5 kW class; FTXS35D3VMW/L 5.0 kW class; FTXS50EV1B
6.0 kW class; FTXS60EV1B 7.1 kW class; FTXS71EV1B

5 Capacity tables

5 - 2 Cooling capacity tables

5MKS90E													
Cooling [50Hz 230V]													
Combination (Capacity)	Outdoor air temp. °CDB	Indoor air temp.: °CWB											
		14°C		16°C		18°C		19°C		22°C		24°C	
		TC kW	PI kW	TC kW	PI kW	TC kW	PI kW	TC kW	PI kW	TC kW	PI kW	TC kW	PI kW
3.5+5.0+6.0	22.0	9.68	2.82	10.12	2.87	10.56	2.93	10.78	2.96	11.45	3.04	11.89	3.09
	25.0	9.41	2.92	9.85	2.97	10.29	3.03	10.52	3.06	11.18	3.14	11.62	3.19
	32.0	8.78	3.18	9.22	3.23	9.67	3.29	9.89	3.31	10.55	3.40	11.00	3.45
	35.0	8.51	3.30	8.96	3.35	9.40	3.41	9.62	3.43	10.28	3.52	10.73	3.57
	40.0	8.06	3.51	8.51	3.56	8.95	3.62	9.17	3.64	9.84	3.73	10.27	3.75
	43.0	7.80	3.60	8.23	3.60	8.66	3.60	8.87	3.60	9.48	3.60	9.88	3.60
	46.0	7.40	3.03	7.76	3.03	8.12	3.03	8.29	3.03	8.81	3.03	9.14	3.03
3.5+5.0+7.1	22.0	10.13	3.26	10.59	3.33	11.06	3.39	11.29	3.42	11.99	3.52	12.45	3.58
	25.0	9.85	3.38	10.31	3.44	10.78	3.51	11.01	3.54	11.70	3.63	12.17	3.70
	32.0	9.19	3.68	9.66	3.74	10.12	3.80	10.35	3.84	11.05	3.93	11.51	4.00
	35.0	8.91	3.82	9.37	3.88	9.84	3.94	10.07	3.97	10.75	4.02	11.19	4.02
	40.0	8.44	3.75	8.91	3.75	9.37	3.75	9.59	3.75	10.22	3.75	10.63	3.75
	43.0	8.16	3.60	8.62	3.60	9.09	3.60	9.32	3.60	9.94	3.60	10.33	3.60
	46.0	7.88	3.03	8.25	3.03	8.60	3.03	8.77	3.03	9.28	3.03	9.61	3.03
3.5+6.0+6.0	22.0	10.14	3.26	10.60	3.33	11.07	3.39	11.30	3.42	12.00	3.52	12.46	3.58
	25.0	9.86	3.38	10.32	3.44	10.79	3.51	11.02	3.54	11.72	3.63	12.18	3.70
	32.0	9.20	3.68	9.67	3.74	10.13	3.80	10.36	3.84	11.06	3.93	11.52	4.00
	35.0	8.92	3.82	9.38	3.88	9.85	3.94	10.08	3.97	10.76	4.02	11.21	4.02
	40.0	8.45	3.75	8.91	3.75	9.38	3.75	9.60	3.75	10.23	3.75	10.64	3.75
	43.0	8.17	3.60	8.63	3.60	9.10	3.60	9.33	3.60	9.95	3.60	10.34	3.60
	46.0	7.89	3.03	8.26	3.03	8.61	3.03	8.78	3.03	9.28	3.03	9.61	3.03
5.0+5.0+5.0	22.0	10.51	3.15	10.99	3.21	11.47	3.27	11.72	3.30	12.44	3.39	12.92	3.45
	25.0	10.22	3.26	10.70	3.32	11.18	3.38	11.42	3.41	12.15	3.51	12.63	3.57
	32.0	9.54	3.55	10.02	3.61	10.50	3.67	10.74	3.70	11.46	3.79	11.95	3.85
	35.0	9.25	3.68	9.73	3.74	10.21	3.80	10.45	3.83	11.17	3.93	11.65	3.99
	40.0	8.76	3.75	9.22	3.75	9.68	3.75	9.90	3.75	10.56	3.75	10.98	3.75
	43.0	8.47	3.60	8.94	3.60	9.37	3.60	9.59	3.60	10.21	3.60	10.62	3.60
	46.0	8.03	3.03	8.40	3.03	8.76	3.03	8.94	3.03	9.46	3.03	9.80	3.03
2.0+2.0+2.0+2.0	22.0	8.01	1.99	8.37	2.03	8.74	2.07	8.92	2.09	9.47	2.14	9.84	2.18
	25.0	7.78	2.06	8.15	2.10	8.52	2.14	8.70	2.16	9.25	2.22	9.62	2.25
	32.0	7.27	2.24	7.63	2.28	8.00	2.32	8.18	2.34	8.73	2.40	9.10	2.44
	35.0	7.04	2.33	7.41	2.36	7.78	2.40	7.96	2.42	8.51	2.48	8.88	2.52
	40.0	6.67	2.47	7.04	2.51	7.41	2.55	7.59	2.57	8.14	2.63	8.51	2.67
	43.0	6.45	2.57	6.82	2.61	7.18	2.65	7.37	2.67	7.92	2.72	8.28	2.76
	46.0	6.23	2.67	6.59	2.71	6.96	2.74	7.14	2.76	7.69	2.82	8.06	2.86
2.0+2.0+2.0+2.5	22.0	8.30	2.14	8.68	2.19	9.06	2.23	9.25	2.25	9.82	2.31	10.20	2.35
	25.0	8.07	2.22	8.45	2.26	8.83	2.31	9.02	2.33	9.59	2.39	9.97	2.43
	32.0	7.53	2.42	7.91	2.46	8.29	2.50	8.48	2.52	9.05	2.58	9.43	2.63
	35.0	7.30	2.51	7.68	2.55	8.06	2.59	8.25	2.61	8.82	2.68	9.20	2.72
	40.0	6.92	2.67	7.30	2.71	7.68	2.75	7.87	2.77	8.44	2.84	8.82	2.88
	43.0	6.69	2.77	7.07	2.81	7.45	2.85	7.64	2.87	8.21	2.94	8.59	2.98
	46.0	6.45	2.88	6.83	2.92	7.21	2.96	7.40	2.98	7.97	3.03	8.31	3.03

3D052449-6A

SYMBOLS

TC : Total capacity (kW)
PI : Power input (kW)

NOTES

Capacities are based on following conditions
Corresponding refrigerant piping length: 7.5 m
Level difference: 0 m

The above is the value for connecting with the following indoor units.
2.0 kW class; FTXS20D3VMW/L 2.5 kW class; FTXS25D3VMW/L
3.5 kW class; FTXS35D3VMW/L 5.0 kW class; FTXS50EV1B
6.0 kW class; FTXS60EV1B 7.1 kW class; FTXS71EV1B

5 Capacity tables

5 - 2 Cooling capacity tables

5

5MKS90E

Cooling [50Hz 230V]

Combination (Capacity)	Outdoor air temp. °CDB	Indoor air temp.: °CWB											
		14°C		16°C		18°C		19°C		22°C		24°C	
		TC kW	PI kW	TC kW	PI kW	TC kW	PI kW	TC kW	PI kW	TC kW	PI kW	TC kW	PI kW
2.0+2.0+2.0+3.5	22.0	8.83	2.46	9.24	2.51	9.64	2.55	9.84	2.58	10.45	2.65	10.85	2.70
	25.0	8.59	2.55	8.99	2.59	9.40	2.64	9.60	2.67	10.20	2.74	10.61	2.78
	32.0	8.01	2.77	8.42	2.82	8.82	2.87	9.03	2.89	9.63	2.96	10.04	3.01
	35.0	7.77	2.87	8.17	2.92	8.58	2.97	8.78	2.99	9.39	3.06	9.79	3.11
	40.0	7.36	3.06	7.76	3.11	8.17	3.15	8.37	3.18	8.98	3.25	9.38	3.30
	43.0	7.11	3.17	7.52	3.22	7.92	3.27	8.13	3.29	8.73	3.36	9.14	3.41
	46.0	6.80	3.03	7.16	3.03	7.52	3.03	7.69	3.03	8.21	3.03	8.54	3.03
2.0+2.0+2.0+5.0	22.0	9.50	2.70	9.93	2.75	10.37	2.80	10.58	2.83	11.24	2.91	11.67	2.96
	25.0	9.23	2.79	9.67	2.84	10.10	2.90	10.32	2.92	10.97	3.00	11.41	3.05
	32.0	8.62	3.04	9.05	3.09	9.49	3.14	9.70	3.17	10.36	3.25	10.79	3.30
	35.0	8.35	3.15	8.79	3.20	9.22	3.26	9.44	3.28	10.09	3.36	10.53	3.41
	40.0	7.91	3.35	8.35	3.41	8.78	3.46	9.00	3.48	9.65	3.56	10.09	3.62
	43.0	7.65	3.48	8.08	3.53	8.52	3.59	8.73	3.60	9.35	3.60	9.75	3.60
	46.0	7.25	3.03	7.62	3.03	7.98	3.03	8.16	3.03	8.67	3.03	9.01	3.03
2.0+2.0+2.0+6.0	22.0	9.71	2.82	10.15	2.87	10.60	2.93	10.82	2.96	11.49	3.04	11.93	3.09
	25.0	9.44	2.92	9.88	2.97	10.33	3.03	10.55	3.06	11.22	3.14	11.66	3.19
	32.0	8.81	3.18	9.25	3.23	9.70	3.29	9.92	3.31	10.59	3.40	11.03	3.45
	35.0	8.54	3.30	8.98	3.35	9.43	3.41	9.65	3.43	10.32	3.52	10.76	3.57
	40.0	8.09	3.51	8.53	3.56	8.98	3.62	9.20	3.64	9.87	3.73	10.30	3.75
	43.0	7.82	3.60	8.26	3.60	8.68	3.60	8.89	3.60	9.51	3.60	9.91	3.60
	46.0	7.41	3.03	7.78	3.03	8.14	3.03	8.31	3.03	8.83	3.03	9.17	3.03
2.0+2.0+2.0+7.1	22.0	9.74	2.83	10.18	2.88	10.63	2.94	10.85	2.96	11.52	3.05	11.97	3.10
	25.0	9.47	2.93	9.91	2.98	10.36	3.04	10.58	3.07	11.25	3.15	11.70	3.20
	32.0	8.84	3.19	9.28	3.24	9.73	3.30	9.95	3.32	10.62	3.41	11.07	3.46
	35.0	8.57	3.31	9.01	3.36	9.46	3.42	9.68	3.44	10.35	3.53	10.79	3.58
	40.0	8.11	3.52	8.56	3.57	9.01	3.63	9.23	3.65	9.90	3.74	10.33	3.75
	43.0	7.84	3.60	8.28	3.60	8.71	3.60	8.92	3.60	9.54	3.60	9.94	3.60
	46.0	7.44	3.03	7.80	3.03	8.16	3.03	8.33	3.03	8.85	3.03	9.19	3.03
2.0+2.0+2.5+2.5	22.0	8.58	2.29	8.97	2.34	9.37	2.38	9.56	2.40	10.15	2.47	10.55	2.52
	25.0	8.34	2.38	8.73	2.42	9.13	2.46	9.32	2.49	9.91	2.55	10.31	2.60
	32.0	7.79	2.58	8.18	2.63	8.57	2.67	8.77	2.70	9.36	2.76	9.75	2.81
	35.0	7.55	2.68	7.94	2.73	8.33	2.77	8.53	2.79	9.12	2.86	9.51	2.90
	40.0	7.15	2.85	7.54	2.90	7.94	2.94	8.13	2.96	8.72	3.03	9.12	3.08
	43.0	6.91	2.96	7.31	3.01	7.70	3.05	7.89	3.07	8.48	3.14	8.88	3.18
	46.0	6.66	3.03	7.03	3.03	7.39	3.03	7.57	3.03	8.09	3.03	8.43	3.03
2.0+2.0+2.5+3.5	22.0	8.91	2.63	9.32	2.68	9.73	2.73	9.93	2.76	10.54	2.83	10.95	2.89
	25.0	8.66	2.72	9.07	2.78	9.48	2.83	9.69	2.85	10.30	2.93	10.71	2.98
	32.0	8.09	2.96	8.50	3.02	8.90	3.07	9.11	3.09	9.72	3.17	10.13	3.22
	35.0	7.84	3.08	8.25	3.13	8.66	3.18	8.86	3.20	9.47	3.28	9.88	3.33
	40.0	7.43	3.27	7.84	3.32	8.24	3.37	8.45	3.40	9.06	3.48	9.47	3.53
	43.0	7.18	3.40	7.59	3.45	8.00	3.50	8.20	3.52	8.81	3.60	9.20	3.60
	46.0	6.86	3.03	7.21	3.03	7.56	3.03	7.73	3.03	8.23	3.03	8.56	3.03

3D052449-7A

SYMBOLS

TC : Total capacity (kW)
PI : Power input (kW)

NOTES

Capacities are based on following conditions
Corresponding refrigerant piping length: 7.5 m
Level difference: 0 m

The above is the value for connecting with the following indoor units.
2.0 kW class; FTXS20D3VMW/L 2.5 kW class; FTXS25D3VMW/L
3.5 kW class; FTXS35D3VMW/L 5.0 kW class; FTXS50EV1B
6.0 kW class; FTXS60EV1B 7.1 kW class; FTXS71EV1B

5 Capacity tables

5 - 2 Cooling capacity tables

5MKS90E		Cooling [50Hz 230V]											
Combination (Capacity)	Outdoor air temp. °CDB	Indoor air temp.: °CWB											
		14°C		16°C		18°C		19°C		22°C		24°C	
		TC kW	PI kW	TC kW	PI kW	TC kW	PI kW	TC kW	PI kW	TC kW	PI kW	TC kW	PI kW
2.0+2.0+2.5+5.0	22.0	9.68	2.82	10.12	2.87	10.56	2.93	10.78	2.96	11.45	3.04	11.89	3.09
	25.0	9.41	2.92	9.85	2.97	10.29	3.03	10.52	3.06	11.18	3.14	11.62	3.19
	32.0	8.78	3.18	9.22	3.23	9.67	3.29	9.89	3.31	10.55	3.40	11.00	3.45
	35.0	8.51	3.30	8.96	3.35	9.40	3.41	9.62	3.43	10.28	3.52	10.73	3.57
	40.0	8.06	3.51	8.51	3.56	8.95	3.62	9.17	3.64	9.84	3.73	10.27	3.75
	43.0	7.80	3.60	8.23	3.60	8.66	3.60	8.87	3.60	9.48	3.60	9.88	3.60
	46.0	7.40	3.03	7.76	3.03	8.12	3.03	8.29	3.03	8.81	3.03	9.14	3.03
2.0+2.0+2.5+6.0	22.0	9.71	2.82	10.15	2.87	10.60	2.93	10.82	2.96	11.49	3.04	11.93	3.09
	25.0	9.44	2.92	9.88	2.97	10.33	3.03	10.55	3.06	11.22	3.14	11.66	3.19
	32.0	8.81	3.18	9.25	3.23	9.70	3.29	9.92	3.31	10.59	3.40	11.03	3.45
	35.0	8.54	3.30	8.98	3.35	9.43	3.41	9.65	3.43	10.32	3.52	10.76	3.57
	40.0	8.09	3.51	8.53	3.56	8.98	3.62	9.20	3.64	9.87	3.73	10.30	3.75
	43.0	7.82	3.60	8.26	3.60	8.68	3.60	8.89	3.60	9.51	3.60	9.91	3.60
	46.0	7.41	3.03	7.78	3.03	8.14	3.03	8.31	3.03	8.83	3.03	9.17	3.03
2.0+2.0+2.5+7.1	22.0	9.74	2.83	10.18	2.88	10.63	2.94	10.85	2.96	11.52	3.05	11.97	3.10
	25.0	9.47	2.93	9.91	2.98	10.36	3.04	10.58	3.07	11.25	3.15	11.70	3.20
	32.0	8.84	3.19	9.28	3.24	9.73	3.30	9.95	3.32	10.62	3.41	11.07	3.46
	35.0	8.57	3.31	9.01	3.36	9.46	3.42	9.68	3.44	10.35	3.53	10.79	3.58
	40.0	8.11	3.52	8.56	3.57	9.01	3.63	9.23	3.65	9.90	3.74	10.33	3.75
	43.0	7.84	3.60	8.28	3.60	8.71	3.60	8.92	3.60	9.54	3.60	9.94	3.60
	46.0	7.44	3.03	7.80	3.03	8.16	3.03	8.33	3.03	8.85	3.03	9.19	3.03
2.0+2.0+3.5+3.5	22.0	8.91	2.63	9.32	2.68	9.73	2.73	9.93	2.76	10.54	2.83	10.95	2.89
	25.0	8.66	2.72	9.07	2.78	9.48	2.83	9.69	2.85	10.30	2.93	10.71	2.98
	32.0	8.09	2.96	8.50	3.02	8.90	3.07	9.11	3.09	9.72	3.17	10.13	3.22
	35.0	7.84	3.08	8.25	3.13	8.66	3.18	8.86	3.20	9.47	3.28	9.88	3.33
	40.0	7.43	3.27	7.84	3.32	8.24	3.37	8.45	3.40	9.06	3.48	9.47	3.53
	43.0	7.18	3.40	7.59	3.45	8.00	3.50	8.20	3.52	8.81	3.60	9.20	3.60
	46.0	6.86	3.03	7.21	3.03	7.56	3.03	7.73	3.03	8.23	3.03	8.56	3.03
2.0+2.0+3.5+5.0	22.0	9.69	2.82	10.13	2.87	10.57	2.93	10.80	2.96	11.46	3.04	11.91	3.09
	25.0	9.42	2.92	9.86	2.97	10.30	3.03	10.53	3.06	11.19	3.14	11.64	3.19
	32.0	8.79	3.18	9.23	3.23	9.68	3.29	9.90	3.31	10.56	3.40	11.01	3.45
	35.0	8.52	3.30	8.96	3.35	9.41	3.41	9.63	3.43	10.30	3.52	10.74	3.57
	40.0	8.07	3.51	8.52	3.56	8.96	3.62	9.18	3.64	9.85	3.73	10.28	3.75
	43.0	7.80	3.60	8.24	3.60	8.67	3.60	8.88	3.60	9.49	3.60	9.89	3.60
	46.0	7.40	3.03	7.77	3.03	8.12	3.03	8.30	3.03	8.81	3.03	9.15	3.03
2.0+2.0+3.5+6.0	22.0	9.72	2.82	10.16	2.87	10.61	2.93	10.83	2.96	11.50	3.04	11.94	3.09
	25.0	9.45	2.92	9.89	2.97	10.34	3.03	10.56	3.06	11.23	3.14	11.67	3.19
	32.0	8.82	3.18	9.26	3.23	9.71	3.29	9.93	3.31	10.60	3.40	11.04	3.45
	35.0	8.55	3.30	8.99	3.35	9.44	3.41	9.66	3.43	10.33	3.52	10.77	3.57
	40.0	8.10	3.51	8.54	3.56	8.99	3.62	9.21	3.64	9.88	3.73	10.31	3.75
	43.0	7.83	3.60	8.26	3.60	8.69	3.60	8.90	3.60	9.52	3.60	9.92	3.60
	46.0	7.42	3.03	7.79	3.03	8.14	3.03	8.32	3.03	8.84	3.03	9.17	3.03

3D052449-7A

SYMBOLS

TC : Total capacity (kW)
PI : Power input (kW)

NOTES

Capacities are based on following conditions
Corresponding refrigerant piping length: 7.5 m
Level difference: 0 m

The above is the value for connecting with the following indoor units.
2.0 kW class; FTXS20D3VMW/L 2.5 kW class; FTXS25D3VMW/L
3.5 kW class; FTXS35D3VMW/L 5.0 kW class; FTXS50EV1B
6.0 kW class; FTXS60EV1B 7.1 kW class; FTXS71EV1B

5 Capacity tables

5 - 2 Cooling capacity tables

5

5MKS90E

Cooling [50Hz 230V]

Combination (Capacity)	Outdoor air temp. °CDB	Indoor air temp.: °CWB											
		14°C		16°C		18°C		19°C		22°C		24°C	
		TC kW	PI kW	TC kW	PI kW	TC kW	PI kW	TC kW	PI kW	TC kW	PI kW	TC kW	PI kW
2.0+2.0+3.5+7.1	22.0	9.74	2.83	10.18	2.88	10.63	2.94	10.85	2.96	11.52	3.05	11.97	3.10
	25.0	9.47	2.93	9.91	2.98	10.36	3.04	10.58	3.07	11.25	3.15	11.70	3.20
	32.0	8.84	3.19	9.28	3.24	9.73	3.30	9.95	3.32	10.62	3.41	11.07	3.46
	35.0	8.57	3.31	9.01	3.36	9.46	3.42	9.68	3.44	10.35	3.53	10.79	3.58
	40.0	8.11	3.52	8.56	3.57	9.01	3.63	9.23	3.65	9.90	3.74	10.33	3.75
	43.0	7.84	3.60	8.28	3.60	8.71	3.60	8.92	3.60	9.54	3.60	9.94	3.60
	46.0	7.44	3.03	7.80	3.03	8.16	3.03	8.33	3.03	8.85	3.03	9.19	3.03
2.0+2.0+5.0+5.0	22.0	10.28	2.89	10.75	2.95	11.22	3.01	11.46	3.03	12.16	3.12	12.63	3.17
	25.0	9.99	3.00	10.47	3.05	10.94	3.11	11.17	3.14	11.88	3.22	12.35	3.28
	32.0	9.33	3.26	9.80	3.32	10.27	3.37	10.51	3.40	11.21	3.49	11.68	3.54
	35.0	9.04	3.38	9.51	3.44	9.98	3.50	10.22	3.52	10.93	3.61	11.40	3.66
	40.0	8.57	3.60	9.04	3.66	9.51	3.71	9.74	3.74	10.42	3.75	10.85	3.75
	43.0	8.27	3.60	8.72	3.60	9.16	3.60	9.38	3.60	10.01	3.60	10.43	3.60
	46.0	7.79	3.03	8.16	3.03	8.53	3.03	8.71	3.03	9.25	3.03	9.59	3.03
2.0+2.0+5.0+6.0	22.0	10.51	3.10	10.99	3.16	11.47	3.22	11.72	3.25	12.44	3.34	12.92	3.40
	25.0	10.22	3.21	10.70	3.27	11.18	3.33	11.42	3.36	12.15	3.45	12.63	3.51
	32.0	9.54	3.49	10.02	3.55	10.50	3.61	10.74	3.64	11.46	3.73	11.95	3.79
	35.0	9.25	3.62	9.73	3.68	10.21	3.74	10.45	3.77	11.17	3.86	11.65	3.92
	40.0	8.76	3.75	9.22	3.75	9.68	3.75	9.90	3.75	10.56	3.75	10.99	3.75
	43.0	8.47	3.60	8.93	3.60	9.36	3.60	9.57	3.60	10.20	3.60	10.61	3.60
	46.0	8.01	3.03	8.38	3.03	8.74	3.03	8.92	3.03	9.44	3.03	9.79	3.03
2.0+2.5+2.5+2.5	22.0	8.83	2.46	9.24	2.51	9.64	2.55	9.84	2.58	10.45	2.65	10.85	2.70
	25.0	8.59	2.55	8.99	2.59	9.40	2.64	9.60	2.67	10.20	2.74	10.61	2.78
	32.0	8.01	2.77	8.42	2.82	8.82	2.87	9.03	2.89	9.63	2.96	10.04	3.01
	35.0	7.77	2.87	8.17	2.92	8.58	2.97	8.78	2.99	9.39	3.06	9.79	3.11
	40.0	7.36	3.06	7.76	3.11	8.17	3.15	8.37	3.18	8.98	3.25	9.38	3.30
	43.0	7.11	3.17	7.52	3.22	7.92	3.27	8.13	3.29	8.73	3.36	9.14	3.41
	46.0	6.80	3.03	7.16	3.03	7.52	3.03	7.69	3.03	8.21	3.03	8.54	3.03
2.0+2.5+2.5+3.5	22.0	8.91	2.63	9.32	2.68	9.73	2.73	9.93	2.76	10.54	2.83	10.95	2.89
	25.0	8.66	2.72	9.07	2.78	9.48	2.83	9.69	2.85	10.30	2.93	10.71	2.98
	32.0	8.09	2.96	8.50	3.02	8.90	3.07	9.11	3.09	9.72	3.17	10.13	3.22
	35.0	7.84	3.08	8.25	3.13	8.66	3.18	8.86	3.20	9.47	3.28	9.88	3.33
	40.0	7.43	3.27	7.84	3.32	8.24	3.37	8.45	3.40	9.06	3.48	9.47	3.53
	43.0	7.18	3.40	7.59	3.45	8.00	3.50	8.20	3.52	8.81	3.60	9.20	3.60
	46.0	6.86	3.03	7.21	3.03	7.56	3.03	7.73	3.03	8.23	3.03	8.56	3.03
2.0+2.5+2.5+5.0	22.0	9.68	2.82	10.12	2.87	10.56	2.93	10.78	2.96	11.45	3.04	11.89	3.09
	25.0	9.41	2.92	9.85	2.97	10.29	3.03	10.52	3.06	11.18	3.14	11.62	3.19
	32.0	8.78	3.18	9.22	3.23	9.67	3.29	9.89	3.31	10.55	3.40	11.00	3.45
	35.0	8.51	3.30	8.96	3.35	9.40	3.41	9.62	3.43	10.28	3.52	10.73	3.57
	40.0	8.06	3.51	8.51	3.56	8.95	3.62	9.17	3.64	9.84	3.73	10.27	3.75
	43.0	7.80	3.60	8.23	3.60	8.66	3.60	8.87	3.60	9.48	3.60	9.88	3.60
	46.0	7.40	3.03	7.76	3.03	8.12	3.03	8.29	3.03	8.81	3.03	9.14	3.03

3D052449-8A

SYMBOLS

TC : Total capacity (kW)
PI : Power input (kW)

NOTES

Capacities are based on following conditions
Corresponding refrigerant piping length: 7.5 m
Level difference: 0 m

The above is the value for connecting with the following indoor units.
2.0 kW class; FTXS20D3VMW/L 2.5 kW class; FTXS25D3VMW/L
3.5 kW class; FTXS35D3VMW/L 5.0 kW class; FTXS50EV1B
6.0 kW class; FTXS60EV1B 7.1 kW class; FTXS71EV1B

5 Capacity tables

5 - 2 Cooling capacity tables

5MKS90E

Cooling [50Hz 230V]

Combination (Capacity)	Outdoor air temp. °CDB	Indoor air temp.: °CWB											
		14°C		16°C		18°C		19°C		22°C		24°C	
		TC kW	PI kW	TC kW	PI kW	TC kW	PI kW	TC kW	PI kW	TC kW	PI kW	TC kW	PI kW
2.0+2.5+2.5+6.0	22.0	9.71	2.82	10.15	2.87	10.60	2.93	10.82	2.96	11.49	3.04	11.93	3.09
	25.0	9.44	2.92	9.88	2.97	10.33	3.03	10.55	3.06	11.22	3.14	11.66	3.19
	32.0	8.81	3.18	9.25	3.23	9.70	3.29	9.92	3.31	10.59	3.40	11.03	3.45
	35.0	8.54	3.30	8.98	3.35	9.43	3.41	9.65	3.43	10.32	3.52	10.76	3.57
	40.0	8.09	3.51	8.53	3.56	8.98	3.62	9.20	3.64	9.87	3.73	10.30	3.75
	43.0	7.82	3.60	8.26	3.60	8.68	3.60	8.89	3.60	9.51	3.60	9.91	3.60
	46.0	7.41	3.03	7.78	3.03	8.14	3.03	8.31	3.03	8.83	3.03	9.17	3.03
2.0+2.5+2.5+7.1	22.0	9.74	2.83	10.18	2.88	10.63	2.94	10.85	2.96	11.52	3.05	11.97	3.10
	25.0	9.47	2.93	9.91	2.98	10.36	3.04	10.58	3.07	11.25	3.15	11.70	3.20
	32.0	8.84	3.19	9.28	3.24	9.73	3.30	9.95	3.32	10.62	3.41	11.07	3.46
	35.0	8.57	3.31	9.01	3.36	9.46	3.42	9.68	3.44	10.35	3.53	10.79	3.58
	40.0	8.11	3.52	8.56	3.57	9.01	3.63	9.23	3.65	9.90	3.74	10.33	3.75
	43.0	7.84	3.60	8.28	3.60	8.71	3.60	8.92	3.60	9.54	3.60	9.94	3.60
	46.0	7.44	3.03	7.80	3.03	8.16	3.03	8.33	3.03	8.85	3.03	9.19	3.03
2.0+2.5+3.5+3.5	22.0	9.09	2.74	9.51	2.80	9.93	2.85	10.13	2.88	10.76	2.96	11.18	3.01
	25.0	8.84	2.84	9.26	2.90	9.67	2.95	9.88	2.98	10.51	3.06	10.92	3.11
	32.0	8.25	3.09	8.67	3.15	9.08	3.20	9.29	3.23	9.92	3.31	10.33	3.36
	35.0	8.00	3.21	8.42	3.26	8.83	3.32	9.04	3.34	9.66	3.42	10.08	3.48
	40.0	7.58	3.42	7.99	3.47	8.41	3.52	8.62	3.55	9.24	3.63	9.66	3.68
	43.0	7.33	3.55	7.74	3.60	8.15	3.60	8.36	3.60	8.95	3.60	9.34	3.60
	46.0	7.00	3.03	7.36	3.03	7.70	3.03	7.87	3.03	8.37	3.03	8.69	3.03
2.0+2.5+3.5+5.0	22.0	9.69	2.82	10.13	2.87	10.57	2.93	10.80	2.96	11.46	3.04	11.91	3.09
	25.0	9.42	2.92	9.86	2.97	10.30	3.03	10.53	3.06	11.19	3.14	11.64	3.19
	32.0	8.79	3.18	9.23	3.23	9.68	3.29	9.90	3.31	10.56	3.40	11.01	3.45
	35.0	8.52	3.30	8.96	3.35	9.41	3.41	9.63	3.43	10.30	3.52	10.74	3.57
	40.0	8.07	3.51	8.52	3.56	8.96	3.62	9.18	3.64	9.85	3.73	10.28	3.75
	43.0	7.80	3.60	8.24	3.60	8.67	3.60	8.88	3.60	9.49	3.60	9.89	3.60
	46.0	7.40	3.03	7.77	3.03	8.12	3.03	8.30	3.03	8.81	3.03	9.15	3.03
2.0+2.5+3.5+6.0	22.0	9.72	2.82	10.16	2.87	10.61	2.93	10.83	2.96	11.50	3.04	11.94	3.09
	25.0	9.45	2.92	9.89	2.97	10.34	3.03	10.56	3.06	11.23	3.14	11.67	3.19
	32.0	8.82	3.18	9.26	3.23	9.71	3.29	9.93	3.31	10.60	3.40	11.04	3.45
	35.0	8.55	3.30	8.99	3.35	9.44	3.41	9.66	3.43	10.33	3.52	10.77	3.57
	40.0	8.10	3.51	8.54	3.56	8.99	3.62	9.21	3.64	9.88	3.73	10.31	3.75
	43.0	7.83	3.60	8.26	3.60	8.69	3.60	8.90	3.60	9.52	3.60	9.92	3.60
	46.0	7.42	3.03	7.79	3.03	8.14	3.03	8.32	3.03	8.84	3.03	9.17	3.03
2.0+2.5+3.5+7.1	22.0	10.18	3.27	10.65	3.33	11.11	3.40	11.35	3.43	12.04	3.53	12.51	3.59
	25.0	9.90	3.39	10.36	3.45	10.83	3.52	11.06	3.55	11.76	3.64	12.23	3.71
	32.0	9.24	3.69	9.70	3.75	10.17	3.81	10.40	3.85	11.10	3.94	11.57	4.01
	35.0	8.95	3.83	9.42	3.89	9.89	3.95	10.12	3.98	10.80	4.02	11.25	4.02
	40.0	8.48	3.75	8.95	3.75	9.42	3.75	9.63	3.75	10.27	3.75	10.68	3.75
	43.0	8.20	3.60	8.67	3.60	9.13	3.60	9.37	3.60	9.98	3.60	10.38	3.60
	46.0	7.92	3.03	8.29	3.03	8.64	3.03	8.81	3.03	9.31	3.03	9.64	3.03

3D052449-8A

SYMBOLS

TC : Total capacity (kW)
PI : Power input (kW)

NOTES

Capacities are based on following conditions
Corresponding refrigerant piping length: 7.5 m
Level difference: 0 m

The above is the value for connecting with the following indoor units.
2.0 kW class; FTXS20D3VMW/L 2.5 kW class; FTXS25D3VMW/L
3.5 kW class; FTXS35D3VMW/L 5.0 kW class; FTXS50EV1B
6.0 kW class; FTXS60EV1B 7.1 kW class; FTXS71EV1B

5 Capacity tables

5 - 2 Cooling capacity tables

5

5MKS90E

Cooling [50Hz 230V]

Combination (Capacity)	Outdoor air temp. °CDB	Indoor air temp.: °CWB											
		14°C		16°C		18°C		19°C		22°C		24°C	
		TC kW	PI kW	TC kW	PI kW	TC kW	PI kW	TC kW	PI kW	TC kW	PI kW	TC kW	PI kW
2.0+2.5+5.0+5.0	22.0	10.28	2.89	10.75	2.95	11.22	3.01	11.46	3.03	12.16	3.12	12.63	3.17
	25.0	9.99	3.00	10.47	3.05	10.94	3.11	11.17	3.14	11.88	3.22	12.35	3.28
	32.0	9.33	3.26	9.80	3.32	10.27	3.37	10.51	3.40	11.21	3.49	11.68	3.54
	35.0	9.04	3.38	9.51	3.44	9.98	3.50	10.22	3.52	10.93	3.61	11.40	3.66
	40.0	8.57	3.60	9.04	3.66	9.51	3.71	9.74	3.74	10.42	3.75	10.85	3.75
	43.0	8.27	3.60	8.72	3.60	9.16	3.60	9.38	3.60	10.01	3.60	10.43	3.60
	46.0	7.79	3.03	8.16	3.03	8.53	3.03	8.71	3.03	9.25	3.03	9.59	3.03
2.0+2.5+5.0+6.0	22.0	10.55	3.10	11.04	3.16	11.52	3.22	11.76	3.25	12.48	3.34	12.97	3.40
	25.0	10.26	3.21	10.74	3.27	11.23	3.33	11.47	3.36	12.19	3.45	12.68	3.51
	32.0	9.57	3.49	10.06	3.55	10.54	3.61	10.78	3.64	11.51	3.73	11.99	3.79
	35.0	9.28	3.62	9.77	3.68	10.25	3.74	10.49	3.77	11.21	3.86	11.70	3.92
	40.0	8.79	3.75	9.26	3.75	9.71	3.75	9.94	3.75	10.60	3.75	11.03	3.75
	43.0	8.50	3.60	8.96	3.60	9.39	3.60	9.61	3.60	10.24	3.60	10.65	3.60
	46.0	8.03	3.03	8.40	3.03	8.76	3.03	8.94	3.03	9.47	3.03	9.82	3.03
2.0+3.5+3.5+3.5	22.0	9.10	2.79	9.52	2.84	9.94	2.89	10.15	2.92	10.77	3.00	11.19	3.06
	25.0	8.85	2.89	9.27	2.94	9.68	2.99	9.89	3.02	10.52	3.10	10.94	3.16
	32.0	8.26	3.14	8.68	3.19	9.09	3.25	9.30	3.28	9.93	3.36	10.35	3.41
	35.0	8.01	3.26	8.42	3.31	8.84	3.37	9.05	3.39	9.68	3.47	10.09	3.53
	40.0	7.59	3.47	8.00	3.52	8.42	3.57	8.63	3.60	9.25	3.68	9.67	3.74
	43.0	7.33	3.60	7.75	3.60	8.16	3.60	8.36	3.60	8.96	3.60	9.34	3.60
	46.0	7.02	3.03	7.37	3.03	7.72	3.03	7.89	3.03	8.38	3.03	8.71	3.03
2.0+3.5+3.5+5.0	22.0	9.69	2.82	10.13	2.87	10.57	2.93	10.80	2.96	11.46	3.04	11.91	3.09
	25.0	9.42	2.92	9.86	2.97	10.30	3.03	10.53	3.06	11.19	3.14	11.64	3.19
	32.0	8.79	3.18	9.23	3.23	9.68	3.29	9.90	3.31	10.56	3.40	11.01	3.45
	35.0	8.52	3.30	8.96	3.35	9.41	3.41	9.63	3.43	10.30	3.52	10.74	3.57
	40.0	8.07	3.51	8.52	3.56	8.96	3.62	9.18	3.64	9.85	3.73	10.28	3.75
	43.0	7.80	3.60	8.24	3.60	8.67	3.60	8.88	3.60	9.49	3.60	9.89	3.60
	46.0	7.40	3.03	7.77	3.03	8.12	3.03	8.30	3.03	8.81	3.03	9.15	3.03
2.0+3.5+3.5+6.0	22.0	10.16	3.26	10.62	3.33	11.09	3.39	11.32	3.42	12.02	3.52	12.49	3.58
	25.0	9.88	3.38	10.34	3.44	10.81	3.51	11.04	3.54	11.74	3.63	12.20	3.70
	32.0	9.22	3.68	9.68	3.74	10.15	3.80	10.38	3.84	11.08	3.93	11.55	4.00
	35.0	8.94	3.82	9.40	3.88	9.87	3.94	10.10	3.97	10.79	4.02	11.23	4.02
	40.0	8.47	3.75	8.93	3.75	9.40	3.75	9.61	3.75	10.25	3.75	10.66	3.75
	43.0	8.18	3.60	8.65	3.60	9.11	3.60	9.35	3.60	9.96	3.60	10.36	3.60
	46.0	7.90	3.03	8.27	3.03	8.62	3.03	8.79	3.03	9.30	3.03	9.63	3.03
2.0+3.5+5.0+5.0	22.0	10.55	3.16	11.04	3.22	11.52	3.28	11.76	3.31	12.48	3.40	12.97	3.46
	25.0	10.26	3.27	10.74	3.33	11.23	3.39	11.47	3.42	12.19	3.51	12.68	3.58
	32.0	9.57	3.56	10.06	3.62	10.54	3.68	10.78	3.71	11.51	3.80	11.99	3.86
	35.0	9.28	3.69	9.77	3.75	10.25	3.81	10.49	3.84	11.21	3.94	11.70	4.00
	40.0	8.79	3.75	9.26	3.75	9.71	3.75	9.94	3.75	10.59	3.75	11.02	3.75
	43.0	8.50	3.60	8.97	3.60	9.41	3.60	9.62	3.60	10.24	3.60	10.65	3.60
	46.0	8.06	3.03	8.43	3.03	8.79	3.03	8.97	3.03	9.49	3.03	9.83	3.03

3D052449-9A

SYMBOLS

TC : Total capacity (kW)
PI : Power input (kW)

NOTES

Capacities are based on following conditions
Corresponding refrigerant piping length: 7.5 m
Level difference: 0 m

The above is the value for connecting with the following indoor units.
2.0 kW class; FTXS20D3VMW/L 2.5 kW class; FTXS25D3VMW/L
3.5 kW class; FTXS35D3VMW/L 5.0 kW class; FTXS50EV1B
6.0 kW class; FTXS60EV1B 7.1 kW class; FTXS71EV1B

5 Capacity tables

5 - 2 Cooling capacity tables

5MKS90E

Cooling [50Hz 230V]

Combination (Capacity)	Outdoor air temp. °CDB	Indoor air temp.: °CWB											
		14°C		16°C		18°C		19°C		22°C		24°C	
		TC kW	PI kW	TC kW	PI kW	TC kW	PI kW	TC kW	PI kW	TC kW	PI kW	TC kW	PI kW
2.5+2.5+2.5+2.5	22.0	8.90	2.62	9.31	2.67	9.72	2.72	9.92	2.75	10.53	2.83	10.94	2.88
	25.0	8.65	2.72	9.06	2.77	9.47	2.82	9.67	2.84	10.29	2.92	10.69	2.97
	32.0	8.08	2.95	8.49	3.01	8.89	3.06	9.10	3.08	9.71	3.16	10.12	3.21
	35.0	7.83	3.07	8.24	3.12	8.65	3.17	8.85	3.19	9.46	3.27	9.87	3.32
	40.0	7.42	3.26	7.83	3.31	8.23	3.36	8.44	3.39	9.05	3.47	9.46	3.52
	43.0	7.17	3.39	7.58	3.44	7.99	3.49	8.19	3.51	8.80	3.59	9.19	3.60
	46.0	6.85	3.03	7.20	3.03	7.55	3.03	7.72	3.03	8.22	3.03	8.55	3.03
2.5+2.5+2.5+3.5	22.0	8.91	2.63	9.32	2.68	9.73	2.73	9.93	2.76	10.54	2.83	10.95	2.89
	25.0	8.66	2.72	9.07	2.78	9.48	2.83	9.69	2.85	10.30	2.93	10.71	2.98
	32.0	8.09	2.96	8.50	3.02	8.90	3.07	9.11	3.09	9.72	3.17	10.13	3.22
	35.0	7.84	3.08	8.25	3.13	8.66	3.18	8.86	3.20	9.47	3.28	9.88	3.33
	40.0	7.43	3.27	7.84	3.32	8.24	3.37	8.45	3.40	9.06	3.48	9.47	3.53
	43.0	7.18	3.40	7.59	3.45	8.00	3.50	8.20	3.52	8.81	3.60	9.20	3.60
	46.0	6.86	3.03	7.21	3.03	7.56	3.03	7.73	3.03	8.23	3.03	8.56	3.03
2.5+2.5+2.5+5.0	22.0	9.68	2.82	10.12	2.87	10.56	2.93	10.78	2.96	11.45	3.04	11.89	3.09
	25.0	9.41	2.92	9.85	2.97	10.29	3.03	10.52	3.06	11.18	3.14	11.62	3.19
	32.0	8.78	3.18	9.22	3.23	9.67	3.29	9.89	3.31	10.55	3.40	11.00	3.45
	35.0	8.51	3.30	8.96	3.35	9.40	3.41	9.62	3.43	10.28	3.52	10.73	3.57
	40.0	8.06	3.51	8.51	3.56	8.95	3.62	9.17	3.64	9.84	3.73	10.27	3.75
	43.0	7.80	3.60	8.23	3.60	8.66	3.60	8.87	3.60	9.48	3.60	9.88	3.60
	46.0	7.40	3.03	7.76	3.03	8.12	3.03	8.29	3.03	8.81	3.03	9.14	3.03
2.5+2.5+2.5+6.0	22.0	9.71	2.82	10.15	2.87	10.60	2.93	10.82	2.96	11.49	3.04	11.93	3.09
	25.0	9.44	2.92	9.88	2.97	10.33	3.03	10.55	3.06	11.22	3.14	11.66	3.19
	32.0	8.81	3.18	9.25	3.23	9.70	3.29	9.92	3.31	10.59	3.40	11.03	3.45
	35.0	8.54	3.30	8.98	3.35	9.43	3.41	9.65	3.43	10.32	3.52	10.76	3.57
	40.0	8.09	3.51	8.53	3.56	8.98	3.62	9.20	3.64	9.87	3.73	10.30	3.75
	43.0	7.82	3.60	8.26	3.60	8.68	3.60	8.89	3.60	9.51	3.60	9.91	3.60
	46.0	7.41	3.03	7.78	3.03	8.14	3.03	8.31	3.03	8.83	3.03	9.17	3.03
2.5+2.5+2.5+7.1	22.0	9.74	2.83	10.18	2.88	10.63	2.94	10.85	2.96	11.52	3.05	11.97	3.10
	25.0	9.47	2.93	9.91	2.98	10.36	3.04	10.58	3.07	11.25	3.15	11.70	3.20
	32.0	8.84	3.19	9.28	3.24	9.73	3.30	9.95	3.32	10.62	3.41	11.07	3.46
	35.0	8.57	3.31	9.01	3.36	9.46	3.42	9.68	3.44	10.35	3.53	10.79	3.58
	40.0	8.11	3.52	8.56	3.57	9.01	3.63	9.23	3.65	9.90	3.74	10.33	3.75
	43.0	7.84	3.60	8.28	3.60	8.71	3.60	8.92	3.60	9.54	3.60	9.94	3.60
	46.0	7.44	3.03	7.80	3.03	8.16	3.03	8.33	3.03	8.85	3.03	9.19	3.03
2.5+2.5+3.5+3.5	22.0	9.09	2.74	9.51	2.80	9.93	2.85	10.13	2.88	10.76	2.96	11.18	3.01
	25.0	8.84	2.84	9.26	2.90	9.67	2.95	9.88	2.98	10.51	3.06	10.92	3.11
	32.0	8.25	3.09	8.67	3.15	9.08	3.20	9.29	3.23	9.92	3.31	10.33	3.36
	35.0	8.00	3.21	8.42	3.26	8.83	3.32	9.04	3.34	9.66	3.42	10.08	3.48
	40.0	7.58	3.42	7.99	3.47	8.41	3.52	8.62	3.55	9.24	3.63	9.66	3.68
	43.0	7.33	3.55	7.74	3.60	8.15	3.60	8.36	3.60	8.95	3.60	9.34	3.60
	46.0	7.00	3.03	7.36	3.03	7.70	3.03	7.87	3.03	8.37	3.03	8.69	3.03

3D052449-9A

SYMBOLS

TC : Total capacity (kW)
PI : Power input (kW)

NOTES

Capacities are based on following conditions
Corresponding refrigerant piping length: 7.5 m
Level difference: 0 m

The above is the value for connecting with the following indoor units.
2.0 kW class; FTXS20D3VMW/L 2.5 kW class; FTXS25D3VMW/L
3.5 kW class; FTXS35D3VMW/L 5.0 kW class; FTXS50EV1B
6.0 kW class; FTXS60EV1B 7.1 kW class; FTXS71EV1B

5 Capacity tables

5 - 2 Cooling capacity tables

5

5MKS90E

Cooling [50Hz 230V]

Combination (Capacity)	Outdoor air temp. °CDB	Indoor air temp.: °CWB											
		14°C		16°C		18°C		19°C		22°C		24°C	
		TC kW	PI kW	TC kW	PI kW	TC kW	PI kW	TC kW	PI kW	TC kW	PI kW	TC kW	PI kW
2.5+3.5+3.5+6.0	22.0	10.16	3.26	10.62	3.33	11.09	3.39	11.32	3.42	12.02	3.52	12.49	3.58
	25.0	9.88	3.38	10.34	3.44	10.81	3.51	11.04	3.54	11.74	3.63	12.20	3.70
	32.0	9.22	3.68	9.68	3.74	10.15	3.80	10.38	3.84	11.08	3.93	11.55	4.00
	35.0	8.94	3.82	9.40	3.88	9.87	3.94	10.10	3.97	10.79	4.02	11.23	4.02
	40.0	8.47	3.75	8.93	3.75	9.40	3.75	9.61	3.75	10.25	3.75	10.66	3.75
	43.0	8.18	3.60	8.65	3.60	9.11	3.60	9.35	3.60	9.96	3.60	10.36	3.60
	46.0	7.90	3.03	8.27	3.03	8.62	3.03	8.79	3.03	9.30	3.03	9.63	3.03
3.5+3.5+3.5+3.5	22.0	9.10	2.79	9.52	2.84	9.94	2.89	10.15	2.92	10.77	3.00	11.19	3.06
	25.0	8.85	2.89	9.27	2.94	9.68	2.99	9.89	3.02	10.52	3.10	10.94	3.16
	32.0	8.26	3.14	8.68	3.19	9.09	3.25	9.30	3.28	9.93	3.36	10.35	3.41
	35.0	8.01	3.26	8.42	3.31	8.84	3.37	9.05	3.39	9.68	3.47	10.09	3.53
	40.0	7.59	3.47	8.00	3.52	8.42	3.57	8.63	3.60	9.25	3.68	9.67	3.74
	43.0	7.33	3.60	7.75	3.60	8.16	3.60	8.36	3.60	8.96	3.60	9.34	3.60
	46.0	7.02	3.03	7.37	3.03	7.72	3.03	7.89	3.03	8.38	3.03	8.71	3.03
3.5+3.5+3.5+5.0	22.0	10.13	3.26	10.59	3.33	11.06	3.39	11.29	3.42	11.99	3.52	12.45	3.58
	25.0	9.85	3.38	10.31	3.44	10.78	3.51	11.01	3.54	11.70	3.63	12.17	3.70
	32.0	9.19	3.68	9.66	3.74	10.12	3.80	10.35	3.84	11.05	3.93	11.51	4.00
	35.0	8.91	3.82	9.37	3.88	9.84	3.94	10.07	3.97	10.75	4.02	11.19	4.02
	40.0	8.44	3.75	8.91	3.75	9.37	3.75	9.59	3.75	10.22	3.75	10.63	3.75
	43.0	8.16	3.60	8.62	3.60	9.09	3.60	9.32	3.60	9.94	3.60	10.33	3.60
	46.0	7.88	3.03	8.25	3.03	8.60	3.03	8.77	3.03	9.28	3.03	9.61	3.03
2.0+2.0+2.0+2.0+2.0	22.0	9.08	2.47	9.50	2.51	9.92	2.56	10.12	2.59	10.75	2.66	11.16	2.71
	25.0	8.83	2.55	9.25	2.60	9.66	2.65	9.87	2.67	10.49	2.75	10.91	2.79
	32.0	8.24	2.78	8.66	2.83	9.07	2.87	9.28	2.90	9.91	2.97	10.32	3.02
	35.0	7.99	2.88	8.41	2.93	8.82	2.98	9.03	3.00	9.65	3.08	10.07	3.12
	40.0	7.57	3.07	7.99	3.12	8.40	3.16	8.61	3.19	9.23	3.26	9.65	3.31
	43.0	7.32	3.18	7.73	3.23	8.15	3.28	8.36	3.30	8.98	3.38	9.40	3.42
	46.0	6.98	3.03	7.35	3.03	7.71	3.03	7.89	3.03	8.41	3.03	8.75	3.03
2.0+2.0+2.0+2.0+2.5	22.0	9.30	2.58	9.73	2.63	10.16	2.68	10.37	2.71	11.01	2.78	11.44	2.83
	25.0	9.05	2.67	9.47	2.72	9.90	2.77	10.11	2.80	10.75	2.87	11.18	2.92
	32.0	8.44	2.91	8.87	2.96	9.30	3.01	9.51	3.03	10.15	3.11	10.57	3.16
	35.0	8.18	3.02	8.61	3.07	9.04	3.12	9.25	3.14	9.89	3.22	10.32	3.27
	40.0	7.75	3.21	8.18	3.26	8.61	3.31	8.82	3.34	9.46	3.41	9.88	3.46
	43.0	7.50	3.33	7.92	3.38	8.35	3.43	8.56	3.46	9.20	3.53	9.63	3.58
	46.0	7.12	3.03	7.49	3.03	7.85	3.03	8.03	3.03	8.55	3.03	8.89	3.03
2.0+2.0+2.0+2.0+3.5	22.0	9.70	2.82	10.14	2.87	10.58	2.93	10.81	2.96	11.47	3.04	11.92	3.09
	25.0	9.43	2.92	9.87	2.97	10.32	3.03	10.54	3.06	11.20	3.14	11.65	3.19
	32.0	8.80	3.18	9.24	3.23	9.69	3.29	9.91	3.31	10.58	3.40	11.02	3.45
	35.0	8.53	3.30	8.97	3.35	9.42	3.41	9.64	3.43	10.31	3.52	10.75	3.57
	40.0	8.08	3.51	8.52	3.56	8.97	3.62	9.19	3.64	9.86	3.73	10.29	3.75
	43.0	7.81	3.60	8.25	3.60	8.67	3.60	8.88	3.60	9.50	3.60	9.90	3.60
	46.0	7.41	3.03	7.77	3.03	8.13	3.03	8.31	3.03	8.82	3.03	9.16	3.03

3D052450-1A

SYMBOLS

TC : Total capacity (kW)
PI : Power input (kW)

NOTES

Capacities are based on following conditions
Corresponding refrigerant piping length: 7.5 m
Level difference: 0 m

The above is the value for connecting with the following indoor units.
2.0 kW class; FTXS20D3VMW/L 2.5 kW class; FTXS25D3VMW/L
3.5 kW class; FTXS35D3VMW/L 5.0 kW class; FTXS50EV1B
6.0 kW class; FTXS60EV1B 7.1 kW class; FTXS71EV1B

5 Capacity tables

5 - 2 Cooling capacity tables

5MKS90E													
Cooling [50Hz 230V]													
Combination (Capacity)	Outdoor air temp. °CDB	Indoor air temp.: °CWB											
		14°C		16°C		18°C		19°C		22°C		24°C	
		TC kW	PI kW	TC kW	PI kW	TC kW	PI kW	TC kW	PI kW	TC kW	PI kW	TC kW	PI kW
2.0+2.0+2.0+2.0+5.0	22.0	10.15	2.84	10.61	2.89	11.08	2.95	11.31	2.97	12.01	3.06	12.47	3.11
	25.0	9.87	2.94	10.33	2.99	10.80	3.05	11.03	3.08	11.73	3.16	12.19	3.21
	32.0	9.21	3.20	9.67	3.25	10.14	3.31	10.37	3.33	11.07	3.42	11.53	3.47
	35.0	8.93	3.32	9.39	3.37	9.86	3.43	10.09	3.45	10.79	3.54	11.25	3.59
	40.0	8.46	3.53	8.92	3.58	9.39	3.64	9.62	3.67	10.32	3.75	10.75	3.75
	43.0	8.17	3.60	8.62	3.60	9.06	3.60	9.28	3.60	9.91	3.60	10.33	3.60
	46.0	7.69	3.03	8.07	3.03	8.44	3.03	8.62	3.03	9.15	3.03	9.50	3.03
2.0+2.0+2.0+2.0+6.0	22.0	10.36	2.90	10.84	2.96	11.31	3.01	11.55	3.04	12.26	3.13	12.73	3.18
	25.0	10.07	3.01	10.55	3.06	11.02	3.12	11.26	3.15	11.97	3.23	12.45	3.29
	32.0	9.40	3.27	9.88	3.33	10.35	3.38	10.59	3.41	11.30	3.50	11.77	3.55
	35.0	9.11	3.39	9.59	3.45	10.06	3.51	10.30	3.53	11.01	3.62	11.49	3.67
	40.0	8.63	3.61	9.11	3.67	9.58	3.72	9.82	3.75	10.49	3.75	10.93	3.75
	43.0	8.34	3.60	8.79	3.60	9.23	3.60	9.45	3.60	10.08	3.60	10.50	3.60
	46.0	7.84	3.03	8.22	3.03	8.59	3.03	8.77	3.03	9.30	3.03	9.65	3.03
2.0+2.0+2.0+2.0+7.1	22.0	10.52	3.04	11.00	3.10	11.49	3.16	11.73	3.19	12.45	3.28	12.93	3.34
	25.0	10.23	3.15	10.71	3.21	11.19	3.27	11.43	3.30	12.16	3.39	12.64	3.45
	32.0	9.55	3.43	10.03	3.49	10.51	3.55	10.75	3.58	11.48	3.66	11.96	3.72
	35.0	9.26	3.56	9.74	3.62	10.22	3.67	10.46	3.70	11.18	3.79	11.66	3.85
	40.0	8.77	3.75	9.24	3.75	9.70	3.75	9.92	3.75	10.59	3.75	11.02	3.75
	43.0	8.47	3.60	8.92	3.60	9.36	3.60	9.57	3.60	10.21	3.60	10.62	3.60
	46.0	7.98	3.03	8.36	3.03	8.72	3.03	8.90	3.03	9.44	3.03	9.78	3.03
2.0+2.0+2.0+2.5+2.5	22.0	9.51	2.70	9.94	2.76	10.38	2.81	10.59	2.84	11.25	2.91	11.68	2.97
	25.0	9.24	2.80	9.68	2.85	10.11	2.91	10.33	2.93	10.98	3.01	11.42	3.06
	32.0	8.63	3.05	9.06	3.10	9.50	3.15	9.71	3.18	10.37	3.26	10.80	3.31
	35.0	8.36	3.16	8.80	3.21	9.23	3.27	9.45	3.29	10.10	3.37	10.54	3.43
	40.0	7.92	3.36	8.36	3.42	8.79	3.47	9.01	3.50	9.66	3.57	10.10	3.63
	43.0	7.66	3.49	8.09	3.54	8.53	3.60	8.74	3.60	9.36	3.60	9.76	3.60
	46.0	7.26	3.03	7.63	3.03	7.99	3.03	8.16	3.03	8.68	3.03	9.02	3.03
2.0+2.0+2.0+2.5+3.5	22.0	9.73	2.82	10.17	2.87	10.62	2.93	10.84	2.96	11.51	3.04	11.95	3.09
	25.0	9.46	2.92	9.90	2.97	10.35	3.03	10.57	3.06	11.24	3.14	11.68	3.19
	32.0	8.83	3.18	9.27	3.23	9.72	3.29	9.94	3.31	10.61	3.40	11.05	3.45
	35.0	8.56	3.30	9.00	3.35	9.45	3.41	9.67	3.43	10.34	3.52	10.78	3.57
	40.0	8.11	3.51	8.55	3.56	9.00	3.62	9.22	3.64	9.89	3.73	10.32	3.75
	43.0	7.84	3.60	8.27	3.60	8.70	3.60	8.91	3.60	9.53	3.60	9.93	3.60
	46.0	7.43	3.03	7.79	3.03	8.15	3.03	8.33	3.03	8.84	3.03	9.18	3.03
2.0+2.0+2.0+2.5+5.0	22.0	10.27	2.90	10.74	2.96	11.21	3.01	11.45	3.04	12.15	3.13	12.62	3.18
	25.0	9.98	3.01	10.46	3.06	10.93	3.12	11.16	3.15	11.87	3.23	12.34	3.29
	32.0	9.32	3.27	9.79	3.33	10.26	3.38	10.50	3.41	11.20	3.50	11.67	3.55
	35.0	9.03	3.39	9.50	3.45	9.97	3.51	10.21	3.53	10.92	3.62	11.39	3.67
	40.0	8.56	3.61	9.03	3.67	9.50	3.72	9.73	3.75	10.40	3.75	10.83	3.75
	43.0	8.27	3.60	8.71	3.60	9.15	3.60	9.37	3.60	10.00	3.60	10.42	3.60
	46.0	7.78	3.03	8.16	3.03	8.53	3.03	8.71	3.03	9.24	3.03	9.59	3.03

3D052450-2A

SYMBOLS

TC : Total capacity (kW)
PI : Power input (kW)

NOTES

Capacities are based on following conditions
Corresponding refrigerant piping length: 7.5 m
Level difference: 0 m

The above is the value for connecting with the following indoor units.
2.0 kW class; FTXS20D3VMW/L 2.5 kW class; FTXS25D3VMW/L
3.5 kW class; FTXS35D3VMW/L 5.0 kW class; FTXS50EV1B
6.0 kW class; FTXS60EV1B 7.1 kW class; FTXS71EV1B

5 Capacity tables

5 - 2 Cooling capacity tables

5

5MKS90E

Cooling [50Hz 230V]

Combination (Capacity)	Outdoor air temp. °CDB	Indoor air temp.: °CWB											
		14°C		16°C		18°C		19°C		22°C		24°C	
		TC kW	PI kW	TC kW	PI kW	TC kW	PI kW	TC kW	PI kW	TC kW	PI kW	TC kW	PI kW
2.0+2.0+2.0+2.5+6.0	22.0	10.36	2.90	10.84	2.96	11.31	3.01	11.55	3.04	12.26	3.13	12.73	3.18
	25.0	10.07	3.01	10.55	3.06	11.02	3.12	11.26	3.15	11.97	3.23	12.45	3.29
	32.0	9.40	3.27	9.88	3.33	10.35	3.38	10.59	3.41	11.30	3.50	11.77	3.55
	35.0	9.11	3.39	9.59	3.45	10.06	3.51	10.30	3.53	11.01	3.62	11.49	3.67
	40.0	8.63	3.61	9.11	3.67	9.58	3.72	9.82	3.75	10.49	3.75	10.93	3.75
	43.0	8.34	3.60	8.79	3.60	9.23	3.60	9.45	3.60	10.08	3.60	10.50	3.60
	46.0	7.84	3.03	8.22	3.03	8.59	3.03	8.77	3.03	9.30	3.03	9.65	3.03
2.0+2.0+2.0+2.5+7.1	22.0	10.56	3.04	11.05	3.10	11.53	3.16	11.77	3.19	12.50	3.28	12.98	3.34
	25.0	10.27	3.15	10.75	3.21	11.24	3.27	11.48	3.30	12.20	3.39	12.69	3.45
	32.0	9.58	3.43	10.07	3.49	10.55	3.55	10.79	3.58	11.52	3.66	12.00	3.72
	35.0	9.29	3.56	9.77	3.62	10.26	3.67	10.50	3.70	11.23	3.79	11.71	3.85
	40.0	8.80	3.75	9.27	3.75	9.73	3.75	9.96	3.75	10.62	3.75	11.06	3.75
	43.0	8.50	3.60	8.95	3.60	9.39	3.60	9.61	3.60	10.24	3.60	10.66	3.60
	46.0	8.01	3.03	8.38	3.03	8.75	3.03	8.93	3.03	9.46	3.03	9.81	3.03
2.0+2.0+2.0+3.5+3.5	22.0	9.51	2.70	9.94	2.76	10.38	2.81	10.59	2.84	11.25	2.91	11.68	2.97
	25.0	9.24	2.80	9.68	2.85	10.11	2.91	10.33	2.93	10.98	3.01	11.42	3.06
	32.0	8.63	3.05	9.06	3.10	9.50	3.15	9.71	3.18	10.37	3.26	10.80	3.31
	35.0	8.36	3.16	8.80	3.21	9.23	3.27	9.45	3.29	10.10	3.37	10.54	3.43
	40.0	7.92	3.36	8.36	3.42	8.79	3.47	9.01	3.50	9.66	3.57	10.10	3.63
	43.0	7.66	3.49	8.09	3.54	8.53	3.60	8.74	3.60	9.36	3.60	9.76	3.60
	46.0	7.26	3.03	7.63	3.03	7.99	3.03	8.16	3.03	8.68	3.03	9.02	3.03
2.0+2.0+2.0+3.5+5.0	22.0	10.33	2.90	10.80	2.96	11.28	3.01	11.51	3.04	12.22	3.13	12.70	3.18
	25.0	10.04	3.01	10.52	3.06	10.99	3.12	11.23	3.15	11.94	3.23	12.41	3.29
	32.0	9.37	3.27	9.85	3.33	10.32	3.38	10.56	3.41	11.27	3.50	11.74	3.55
	35.0	9.09	3.39	9.56	3.45	10.03	3.51	10.27	3.53	10.98	3.62	11.45	3.67
	40.0	8.61	3.61	9.08	3.67	9.56	3.72	9.79	3.75	10.46	3.75	10.90	3.75
	43.0	8.31	3.60	8.76	3.60	9.20	3.60	9.42	3.60	10.06	3.60	10.47	3.60
	46.0	7.82	3.03	8.20	3.03	8.57	3.03	8.75	3.03	9.28	3.03	9.63	3.03
2.0+2.0+2.0+3.5+6.0	22.0	10.55	3.03	11.04	3.09	11.52	3.15	11.76	3.18	12.48	3.27	12.97	3.33
	25.0	10.26	3.14	10.74	3.20	11.23	3.26	11.47	3.29	12.19	3.38	12.68	3.44
	32.0	9.57	3.42	10.06	3.48	10.54	3.54	10.78	3.57	11.51	3.65	11.99	3.71
	35.0	9.28	3.55	9.77	3.61	10.25	3.66	10.49	3.69	11.21	3.78	11.70	3.84
	40.0	8.79	3.75	9.26	3.75	9.72	3.75	9.95	3.75	10.62	3.75	11.05	3.75
	43.0	8.49	3.60	8.94	3.60	9.38	3.60	9.60	3.60	10.23	3.60	10.65	3.60
	46.0	8.00	3.03	8.37	3.03	8.74	3.03	8.92	3.03	9.45	3.03	9.80	3.03
2.0+2.0+2.5+2.5+2.5	22.0	9.70	2.82	10.14	2.87	10.58	2.93	10.81	2.96	11.47	3.04	11.92	3.09
	25.0	9.43	2.92	9.87	2.97	10.32	3.03	10.54	3.06	11.20	3.14	11.65	3.19
	32.0	8.80	3.18	9.24	3.23	9.69	3.29	9.91	3.31	10.58	3.40	11.02	3.45
	35.0	8.53	3.30	8.97	3.35	9.42	3.41	9.64	3.43	10.31	3.52	10.75	3.57
	40.0	8.08	3.51	8.52	3.56	8.97	3.62	9.19	3.64	9.86	3.73	10.29	3.75
	43.0	7.81	3.60	8.25	3.60	8.67	3.60	8.88	3.60	9.50	3.60	9.90	3.60
	46.0	7.41	3.03	7.77	3.03	8.13	3.03	8.31	3.03	8.82	3.03	9.16	3.03

3D052450-2A

SYMBOLS

TC : Total capacity (kW)
PI : Power input (kW)

NOTES

Capacities are based on following conditions
Corresponding refrigerant piping length: 7.5 m
Level difference: 0 m

The above is the value for connecting with the following indoor units.
2.0 kW class; FTXS20D3VMW/L 2.5 kW class; FTXS25D3VMW/L
3.5 kW class; FTXS35D3VMW/L 5.0 kW class; FTXS50EV1B
6.0 kW class; FTXS60EV1B 7.1 kW class; FTXS71EV1B

5 Capacity tables

5 - 2 Cooling capacity tables

5MKS90E													
Cooling [50Hz 230V]													
Combination (Capacity)	Outdoor air temp. °CDB	Indoor air temp.: °CWB											
		14°C		16°C		18°C		19°C		22°C		24°C	
		TC kW	PI kW	TC kW	PI kW	TC kW	PI kW	TC kW	PI kW	TC kW	PI kW	TC kW	PI kW
2.0+2.0+2.5+2.5+3.5	22.0	9.73	2.82	10.17	2.87	10.62	2.93	10.84	2.96	11.51	3.04	11.95	3.09
	25.0	9.46	2.92	9.90	2.97	10.35	3.03	10.57	3.06	11.24	3.14	11.68	3.19
	32.0	8.83	3.18	9.27	3.23	9.72	3.29	9.94	3.31	10.61	3.40	11.05	3.45
	35.0	8.56	3.30	9.00	3.35	9.45	3.41	9.67	3.43	10.34	3.52	10.78	3.57
	40.0	8.11	3.51	8.55	3.56	9.00	3.62	9.22	3.64	9.89	3.73	10.32	3.75
	43.0	7.84	3.60	8.27	3.60	8.70	3.60	8.91	3.60	9.53	3.60	9.93	3.60
	46.0	7.43	3.03	7.79	3.03	8.15	3.03	8.33	3.03	8.84	3.03	9.18	3.03
2.0+2.0+2.5+2.5+5.0	22.0	10.32	2.90	10.79	2.96	11.27	3.01	11.50	3.04	12.21	3.13	12.68	3.18
	25.0	10.03	3.01	10.51	3.06	10.98	3.12	11.22	3.15	11.92	3.23	12.40	3.29
	32.0	9.36	3.27	9.84	3.33	10.31	3.38	10.55	3.41	11.26	3.50	11.73	3.55
	35.0	9.08	3.39	9.55	3.45	10.02	3.51	10.26	3.53	10.97	3.62	11.44	3.67
	40.0	8.60	3.61	9.07	3.67	9.55	3.72	9.78	3.75	10.45	3.75	10.89	3.75
	43.0	8.30	3.60	8.75	3.60	9.19	3.60	9.41	3.60	10.05	3.60	10.46	3.60
	46.0	7.82	3.03	8.19	3.03	8.56	3.03	8.74	3.03	9.28	3.03	9.62	3.03
2.0+2.0+2.5+2.5+6.0	22.0	10.51	3.03	10.99	3.09	11.47	3.15	11.72	3.18	12.44	3.27	12.92	3.33
	25.0	10.22	3.14	10.70	3.20	11.18	3.26	11.42	3.29	12.15	3.38	12.63	3.44
	32.0	9.54	3.42	10.02	3.48	10.50	3.54	10.74	3.57	11.46	3.65	11.95	3.71
	35.0	9.25	3.55	9.73	3.61	10.21	3.66	10.45	3.69	11.17	3.78	11.65	3.84
	40.0	8.76	3.75	9.23	3.75	9.69	3.75	9.91	3.75	10.58	3.75	11.01	3.75
	43.0	8.47	3.60	8.91	3.60	9.35	3.60	9.57	3.60	10.20	3.60	10.61	3.60
	46.0	7.97	3.03	8.35	3.03	8.72	3.03	8.90	3.03	9.43	3.03	9.77	3.03
2.0+2.0+2.5+3.5+3.5	22.0	9.74	2.83	10.18	2.88	10.63	2.94	10.85	2.96	11.52	3.05	11.97	3.10
	25.0	9.47	2.93	9.91	2.98	10.36	3.04	10.58	3.07	11.25	3.15	11.70	3.20
	32.0	8.84	3.19	9.28	3.24	9.73	3.30	9.95	3.32	10.62	3.41	11.07	3.46
	35.0	8.57	3.31	9.01	3.36	9.46	3.42	9.68	3.44	10.35	3.53	10.79	3.58
	40.0	8.11	3.52	8.56	3.57	9.01	3.63	9.23	3.65	9.90	3.74	10.33	3.75
	43.0	7.84	3.60	8.28	3.60	8.71	3.60	8.92	3.60	9.54	3.60	9.94	3.60
	46.0	7.44	3.03	7.80	3.03	8.16	3.03	8.33	3.03	8.85	3.03	9.19	3.03
2.0+2.0+2.5+3.5+5.0	22.0	10.51	3.03	10.99	3.09	11.47	3.15	11.72	3.18	12.44	3.27	12.92	3.33
	25.0	10.22	3.14	10.70	3.20	11.18	3.26	11.42	3.29	12.15	3.38	12.63	3.44
	32.0	9.54	3.42	10.02	3.48	10.50	3.54	10.74	3.57	11.46	3.65	11.95	3.71
	35.0	9.25	3.55	9.73	3.61	10.21	3.66	10.45	3.69	11.17	3.78	11.65	3.84
	40.0	8.76	3.75	9.23	3.75	9.69	3.75	9.91	3.75	10.58	3.75	11.01	3.75
	43.0	8.47	3.60	8.91	3.60	9.35	3.60	9.57	3.60	10.20	3.60	10.61	3.60
	46.0	7.97	3.03	8.35	3.03	8.72	3.03	8.90	3.03	9.43	3.03	9.77	3.03
2.0+2.0+3.5+3.5+3.5	22.0	9.75	2.83	10.19	2.88	10.64	2.94	10.86	2.96	11.53	3.05	11.98	3.10
	25.0	9.48	2.93	9.92	2.98	10.37	3.04	10.59	3.07	11.26	3.15	11.71	3.20
	32.0	8.84	3.19	9.29	3.24	9.74	3.30	9.96	3.32	10.63	3.41	11.08	3.46
	35.0	8.57	3.31	9.02	3.36	9.47	3.42	9.69	3.44	10.36	3.53	10.81	3.58
	40.0	8.12	3.52	8.57	3.57	9.02	3.63	9.24	3.65	9.91	3.74	10.34	3.75
	43.0	7.85	3.60	8.29	3.60	8.72	3.60	8.93	3.60	9.55	3.60	9.95	3.60
	46.0	7.44	3.03	7.81	3.03	8.16	3.03	8.34	3.03	8.86	3.03	9.20	3.03

3D052450-3A

SYMBOLS

TC : Total capacity (kW)
PI : Power input (kW)

NOTES

Capacities are based on following conditions
Corresponding refrigerant piping length: 7.5 m
Level difference: 0 m

The above is the value for connecting with the following indoor units.
2.0 kW class; FTXS20D3VMW/L 2.5 kW class; FTXS25D3VMW/L
3.5 kW class; FTXS35D3VMW/L 5.0 kW class; FTXS50EV1B
6.0 kW class; FTXS60EV1B 7.1 kW class; FTXS71EV1B

5 Capacity tables

5 - 2 Cooling capacity tables

5

5MKS90E

Cooling [50Hz 230V]

Combination (Capacity)	Outdoor air temp. °CDB	Indoor air temp.: °CWB											
		14°C		16°C		18°C		19°C		22°C		24°C	
		TC kW	PI kW	TC kW	PI kW	TC kW	PI kW	TC kW	PI kW	TC kW	PI kW	TC kW	PI kW
2.0+2.5+2.5+2.5+2.5	22.0	9.73	2.82	10.17	2.87	10.62	2.93	10.84	2.96	11.51	3.04	11.95	3.09
	25.0	9.46	2.92	9.90	2.97	10.35	3.03	10.57	3.06	11.24	3.14	11.68	3.19
	32.0	8.83	3.18	9.27	3.23	9.72	3.29	9.94	3.31	10.61	3.40	11.05	3.45
	35.0	8.56	3.30	9.00	3.35	9.45	3.41	9.67	3.43	10.34	3.52	10.78	3.57
	40.0	8.11	3.51	8.55	3.56	9.00	3.62	9.22	3.64	9.89	3.73	10.32	3.75
	43.0	7.84	3.60	8.27	3.60	8.70	3.60	8.91	3.60	9.53	3.60	9.93	3.60
	46.0	7.43	3.03	7.79	3.03	8.15	3.03	8.33	3.03	8.84	3.03	9.18	3.03
2.0+2.5+2.5+2.5+3.5	22.0	9.73	2.82	10.17	2.87	10.62	2.93	10.84	2.96	11.51	3.04	11.95	3.09
	25.0	9.46	2.92	9.90	2.97	10.35	3.03	10.57	3.06	11.24	3.14	11.68	3.19
	32.0	8.83	3.18	9.27	3.23	9.72	3.29	9.94	3.31	10.61	3.40	11.05	3.45
	35.0	8.56	3.30	9.00	3.35	9.45	3.41	9.67	3.43	10.34	3.52	10.78	3.57
	40.0	8.11	3.51	8.55	3.56	9.00	3.62	9.22	3.64	9.89	3.73	10.32	3.75
	43.0	7.84	3.60	8.27	3.60	8.70	3.60	8.91	3.60	9.53	3.60	9.93	3.60
	46.0	7.43	3.03	7.79	3.03	8.15	3.03	8.33	3.03	8.84	3.03	9.18	3.03
2.0+2.5+2.5+2.5+5.0	22.0	10.32	2.90	10.79	2.96	11.27	3.01	11.50	3.04	12.21	3.13	12.68	3.18
	25.0	10.03	3.01	10.51	3.06	10.98	3.12	11.22	3.15	11.92	3.23	12.40	3.29
	32.0	9.36	3.27	9.84	3.33	10.31	3.38	10.55	3.41	11.26	3.50	11.73	3.55
	35.0	9.08	3.39	9.55	3.45	10.02	3.51	10.26	3.53	10.97	3.62	11.44	3.67
	40.0	8.60	3.61	9.07	3.67	9.55	3.72	9.78	3.75	10.45	3.75	10.89	3.75
	43.0	8.30	3.60	8.75	3.60	9.19	3.60	9.41	3.60	10.05	3.60	10.46	3.60
	46.0	7.82	3.03	8.19	3.03	8.56	3.03	8.74	3.03	9.28	3.03	9.62	3.03
2.0+2.5+2.5+2.5+6.0	22.0	10.55	3.10	11.04	3.16	11.52	3.22	11.76	3.25	12.48	3.34	12.97	3.40
	25.0	10.26	3.21	10.74	3.27	11.23	3.33	11.47	3.36	12.19	3.45	12.68	3.51
	32.0	9.57	3.49	10.06	3.55	10.54	3.61	10.78	3.64	11.51	3.73	11.99	3.79
	35.0	9.28	3.62	9.77	3.68	10.25	3.74	10.49	3.77	11.21	3.86	11.70	3.92
	40.0	8.79	3.75	9.26	3.75	9.71	3.75	9.94	3.75	10.60	3.75	11.03	3.75
	43.0	8.50	3.60	8.96	3.60	9.39	3.60	9.61	3.60	10.24	3.60	10.65	3.60
	46.0	8.03	3.03	8.40	3.03	8.76	3.03	8.94	3.03	9.47	3.03	9.82	3.03
2.0+2.5+2.5+3.5+3.5	22.0	9.74	2.83	10.18	2.88	10.63	2.94	10.85	2.96	11.52	3.05	11.97	3.10
	25.0	9.47	2.93	9.91	2.98	10.36	3.04	10.58	3.07	11.25	3.15	11.70	3.20
	32.0	8.84	3.19	9.28	3.24	9.73	3.30	9.95	3.32	10.62	3.41	11.07	3.46
	35.0	8.57	3.31	9.01	3.36	9.46	3.42	9.68	3.44	10.35	3.53	10.79	3.58
	40.0	8.11	3.52	8.56	3.57	9.01	3.63	9.23	3.65	9.90	3.74	10.33	3.75
	43.0	7.84	3.60	8.28	3.60	8.71	3.60	8.92	3.60	9.54	3.60	9.94	3.60
	46.0	7.44	3.03	7.80	3.03	8.16	3.03	8.33	3.03	8.85	3.03	9.19	3.03
2.0+2.5+2.5+3.5+5.0	22.0	10.55	3.10	11.04	3.16	11.52	3.22	11.76	3.25	12.48	3.34	12.97	3.40
	25.0	10.26	3.21	10.74	3.27	11.23	3.33	11.47	3.36	12.19	3.45	12.68	3.51
	32.0	9.57	3.49	10.06	3.55	10.54	3.61	10.78	3.64	11.51	3.73	11.99	3.79
	35.0	9.28	3.62	9.77	3.68	10.25	3.74	10.49	3.77	11.21	3.86	11.70	3.92
	40.0	8.79	3.75	9.26	3.75	9.71	3.75	9.94	3.75	10.60	3.75	11.03	3.75
	43.0	8.50	3.60	8.96	3.60	9.39	3.60	9.61	3.60	10.24	3.60	10.65	3.60
	46.0	8.03	3.03	8.40	3.03	8.76	3.03	8.94	3.03	9.47	3.03	9.82	3.03

3D052450-3A

SYMBOLS

TC : Total capacity (kW)
PI : Power input (kW)

NOTES

Capacities are based on following conditions
Corresponding refrigerant piping length: 7.5 m
Level difference: 0 m

The above is the value for connecting with the following indoor units.
2.0 kW class; FTXS20D3VMW/L 2.5 kW class; FTXS25D3VMW/L
3.5 kW class; FTXS35D3VMW/L 5.0 kW class; FTXS50EV1B
6.0 kW class; FTXS60EV1B 7.1 kW class; FTXS71EV1B

5 Capacity tables

5 - 2 Cooling capacity tables

Combination (Capacity)		Outdoor air temp. °CDB		Indoor air temp.: °CWB											
				14°C		16°C		18°C		19°C		22°C		24°C	
				TC kW	PI kW	TC kW	PI kW	TC kW	PI kW	TC kW	PI kW	TC kW	PI kW	TC kW	PI kW
2.0+2.5+3.5+3.5+3.5	22.0	10.18	3.27	10.65	3.33	11.11	3.40	11.35	3.43	12.04	3.53	12.51	3.59		
	25.0	9.90	3.39	10.36	3.45	10.83	3.52	11.06	3.55	11.76	3.64	12.23	3.71		
	32.0	9.24	3.69	9.70	3.75	10.17	3.81	10.40	3.85	11.10	3.94	11.57	4.01		
	35.0	8.95	3.83	9.42	3.89	9.89	3.95	10.12	3.98	10.80	4.02	11.25	4.02		
	40.0	8.48	3.75	8.95	3.75	9.42	3.75	9.63	3.75	10.27	3.75	10.68	3.75		
	43.0	8.20	3.60	8.67	3.60	9.13	3.60	9.37	3.60	9.98	3.60	10.38	3.60		
	46.0	7.92	3.03	8.29	3.03	8.64	3.03	8.81	3.03	9.31	3.03	9.64	3.03		
2.5+2.5+2.5+2.5+2.5	22.0	9.73	2.82	10.17	2.87	10.62	2.93	10.84	2.96	11.51	3.04	11.95	3.09		
	25.0	9.46	2.92	9.90	2.97	10.35	3.03	10.57	3.06	11.24	3.14	11.68	3.19		
	32.0	8.83	3.18	9.27	3.23	9.72	3.29	9.94	3.31	10.61	3.40	11.05	3.45		
	35.0	8.56	3.30	9.00	3.35	9.45	3.41	9.67	3.43	10.34	3.52	10.78	3.57		
	40.0	8.11	3.51	8.55	3.56	9.00	3.62	9.22	3.64	9.89	3.73	10.32	3.75		
	43.0	7.84	3.60	8.27	3.60	8.70	3.60	8.91	3.60	9.53	3.60	9.93	3.60		
	46.0	7.43	3.03	7.79	3.03	8.15	3.03	8.33	3.03	8.84	3.03	9.18	3.03		
2.5+2.5+2.5+2.5+3.5	22.0	9.73	2.82	10.17	2.87	10.62	2.93	10.84	2.96	11.51	3.04	11.95	3.09		
	25.0	9.46	2.92	9.90	2.97	10.35	3.03	10.57	3.06	11.24	3.14	11.68	3.19		
	32.0	8.83	3.18	9.27	3.23	9.72	3.29	9.94	3.31	10.61	3.40	11.05	3.45		
	35.0	8.56	3.30	9.00	3.35	9.45	3.41	9.67	3.43	10.34	3.52	10.78	3.57		
	40.0	8.11	3.51	8.55	3.56	9.00	3.62	9.22	3.64	9.89	3.73	10.32	3.75		
	43.0	7.84	3.60	8.27	3.60	8.70	3.60	8.91	3.60	9.53	3.60	9.93	3.60		
	46.0	7.43	3.03	7.79	3.03	8.15	3.03	8.33	3.03	8.84	3.03	9.18	3.03		
2.5+2.5+2.5+2.5+5.0	22.0	10.51	3.10	10.99	3.16	11.47	3.22	11.72	3.25	12.44	3.34	12.92	3.40		
	25.0	10.22	3.21	10.70	3.27	11.18	3.33	11.42	3.36	12.15	3.45	12.63	3.51		
	32.0	9.54	3.49	10.02	3.55	10.50	3.61	10.74	3.64	11.46	3.73	11.95	3.79		
	35.0	9.25	3.62	9.73	3.68	10.21	3.74	10.45	3.77	11.17	3.86	11.65	3.92		
	40.0	8.76	3.75	9.22	3.75	9.68	3.75	9.90	3.75	10.56	3.75	10.99	3.75		
	43.0	8.47	3.60	8.93	3.60	9.36	3.60	9.57	3.60	10.20	3.60	10.61	3.60		
	46.0	8.01	3.03	8.38	3.03	8.74	3.03	8.92	3.03	9.44	3.03	9.79	3.03		
2.5+2.5+2.5+3.5+3.5	22.0	9.74	2.83	10.18	2.88	10.63	2.94	10.85	2.96	11.52	3.05	11.97	3.10		
	25.0	9.47	2.93	9.91	2.98	10.36	3.04	10.58	3.07	11.25	3.15	11.70	3.20		
	32.0	8.84	3.19	9.28	3.24	9.73	3.30	9.95	3.32	10.62	3.41	11.07	3.46		
	35.0	8.57	3.31	9.01	3.36	9.46	3.42	9.68	3.44	10.35	3.53	10.79	3.58		
	40.0	8.11	3.52	8.56	3.57	9.01	3.63	9.23	3.65	9.90	3.74	10.33	3.75		
	43.0	7.84	3.60	8.28	3.60	8.71	3.60	8.92	3.60	9.54	3.60	9.94	3.60		
	46.0	7.44	3.03	7.80	3.03	8.16	3.03	8.33	3.03	8.85	3.03	9.19	3.03		
2.5+2.5+3.5+3.5+3.5	22.0	10.18	3.27	10.65	3.33	11.11	3.40	11.35	3.43	12.04	3.53	12.51	3.59		
	25.0	9.90	3.39	10.36	3.45	10.83	3.52	11.06	3.55	11.76	3.64	12.23	3.71		
	32.0	9.24	3.69	9.70	3.75	10.17	3.81	10.40	3.85	11.10	3.94	11.57	4.01		
	35.0	8.95	3.83	9.42	3.89	9.89	3.95	10.12	3.98	10.80	4.02	11.25	4.02		
	40.0	8.48	3.75	8.95	3.75	9.42	3.75	9.63	3.75	10.27	3.75	10.68	3.75		
	43.0	8.20	3.60	8.67	3.60	9.13	3.60	9.37	3.60	9.98	3.60	10.38	3.60		
	46.0	7.92	3.03	8.29	3.03	8.64	3.03	8.81	3.03	9.31	3.03	9.64	3.03		

3D052450-4A

SYMBOLS

TC : Total capacity (kW)
PI : Power input (kW)

NOTES

Capacities are based on following conditions
Corresponding refrigerant piping length: 7.5 m
Level difference: 0 m

The above is the value for connecting with the following indoor units.
2.0 kW class; FTXS20D3VMW/L 2.5 kW class; FTXS25D3VMW/L
3.5 kW class; FTXS35D3VMW/L 5.0 kW class; FTXS50EV1B
6.0 kW class; FTXS60EV1B 7.1 kW class; FTXS71EV1B

5 Capacity tables

5 - 2 Cooling capacity tables

5

5MKS90E

Cooling [50Hz 230V]

Combination (Capacity)	Outdoor air temp. °CDB	Indoor air temp.: °CWB											
		14°C		16°C		18°C		19°C		22°C		24°C	
		TC kW	PI kW	TC kW	PI kW	TC kW	PI kW	TC kW	PI kW	TC kW	PI kW	TC kW	PI kW
2.0	22.0	2.89	0.80	3.19	0.88	3.33	0.90	3.40	0.90	3.61	0.93	3.75	0.95
	25.0	2.89	0.86	3.10	0.91	3.24	0.93	3.31	0.94	3.52	0.96	3.66	0.98
	32.0	2.77	0.97	2.91	0.99	3.04	1.01	3.11	1.01	3.32	1.04	3.46	1.06
	35.0	2.68	1.01	2.82	1.03	2.96	1.04	3.03	1.05	3.24	1.08	3.38	1.09
	40.0	2.54	1.07	2.68	1.09	2.82	1.11	2.89	1.12	3.10	1.14	3.24	1.16
	43.0	2.46	1.11	2.59	1.13	2.73	1.15	2.80	1.16	3.01	1.18	3.15	1.20
	46.0	2.37	1.16	2.51	1.17	2.65	1.19	2.72	1.20	2.93	1.22	3.07	1.24
2.5	22.0	2.89	0.80	3.55	0.98	3.89	1.07	3.97	1.08	4.21	1.11	4.38	1.13
	25.0	2.89	0.86	3.55	1.05	3.79	1.10	3.87	1.11	4.11	1.14	4.28	1.16
	32.0	2.89	0.98	3.39	1.18	3.56	1.20	3.64	1.21	3.88	1.24	4.05	1.26
	35.0	2.89	1.06	3.30	1.22	3.46	1.24	3.54	1.25	3.78	1.28	3.95	1.30
	40.0	2.89	1.23	3.13	1.30	3.29	1.32	3.38	1.33	3.62	1.36	3.78	1.38
	43.0	2.87	1.33	3.03	1.35	3.19	1.37	3.28	1.38	3.52	1.41	3.68	1.43
	46.0	2.77	1.38	2.93	1.40	3.10	1.42	3.18	1.43	3.42	1.46	3.59	1.48
3.5	22.0	3.07	0.66	3.78	0.84	4.53	1.03	4.93	1.14	5.55	1.28	5.76	1.31
	25.0	3.07	0.71	3.78	0.89	4.53	1.11	4.93	1.23	5.42	1.33	5.63	1.35
	32.0	3.07	0.84	3.78	1.06	4.53	1.32	4.79	1.40	5.11	1.44	5.33	1.46
	35.0	3.07	0.90	3.78	1.14	4.53	1.43	4.66	1.45	4.98	1.49	5.20	1.51
	40.0	3.07	1.03	3.78	1.31	4.34	1.53	4.44	1.54	4.77	1.58	4.98	1.60
	43.0	3.07	1.12	3.78	1.43	4.21	1.59	4.31	1.60	4.63	1.63	4.85	1.66
	46.0	3.07	1.22	3.78	1.56	4.08	1.64	4.18	1.66	4.50	1.69	4.72	1.71
5.0	22.0	5.15	1.25	5.94	1.49	6.20	1.52	6.33	1.53	6.72	1.58	6.98	1.61
	25.0	5.15	1.35	5.79	1.54	6.05	1.57	6.18	1.59	6.57	1.63	6.83	1.66
	32.0	5.15	1.65	5.42	1.68	5.68	1.71	5.81	1.72	6.20	1.76	6.46	1.79
	35.0	5.00	1.71	5.26	1.74	5.52	1.77	5.65	1.78	6.04	1.82	6.30	1.85
	40.0	4.74	1.82	5.00	1.85	5.26	1.88	5.39	1.89	5.78	1.93	6.04	1.96
	43.0	4.58	1.89	4.84	1.92	5.10	1.95	5.23	1.96	5.62	2.00	5.88	2.03
	46.0	4.42	1.96	4.68	1.99	4.94	2.02	5.07	2.03	5.46	2.08	5.72	2.10
6.0	22.0	5.60	1.46	6.88	1.97	7.25	2.04	7.40	2.06	7.86	2.12	8.16	2.16
	25.0	5.60	1.58	6.76	2.07	7.06	2.11	7.21	2.13	7.67	2.19	7.97	2.23
	32.0	5.60	1.93	6.33	2.25	6.63	2.29	6.78	2.31	7.24	2.37	7.54	2.41
	35.0	5.60	2.12	6.14	2.34	6.45	2.37	6.60	2.39	7.06	2.45	7.36	2.49
	40.0	5.53	2.44	5.84	2.48	6.14	2.52	6.29	2.54	6.75	2.60	7.05	2.63
	43.0	5.35	2.54	5.65	2.57	5.96	2.61	6.11	2.63	6.56	2.69	6.87	2.73
	46.0	5.16	2.63	5.47	2.67	5.77	2.71	5.92	2.73	6.38	2.79	6.68	2.82
7.1	22.0	6.01	1.60	7.38	2.18	7.97	2.37	8.14	2.40	8.64	2.46	8.98	2.51
	25.0	6.01	1.73	7.38	2.37	7.77	2.46	7.94	2.48	8.44	2.54	8.77	2.59
	32.0	6.01	2.12	6.96	2.62	7.30	2.66	7.46	2.69	7.96	2.75	8.30	2.80
	35.0	6.01	2.32	6.76	2.72	7.09	2.76	7.26	2.78	7.76	2.85	8.10	2.89
	40.0	6.01	2.76	6.42	2.89	6.75	2.93	6.92	2.95	7.42	3.02	7.76	3.06
	43.0	5.88	2.95	6.22	3.00	6.55	3.04	6.72	3.06	7.22	3.13	7.56	3.17
	46.0	5.68	3.03	6.01	3.03	6.33	3.03	6.48	3.03	6.95	3.03	7.25	3.03

3D052451-1A

SYMBOLS

TC : Total capacity (kW)
PI : Power input (kW)

NOTES

Capacities are based on following conditions
Corresponding refrigerant piping length: 7.5 m
Level difference: 0 m

The above is the value for connecting with the following indoor units.
2.0 kW class; FTXS20CAVMB 2.5 kW class; FTXS25CAVMB
3.5 kW class; FTXS35CAVMB 5.0 kW class; FTXS50EV1B
6.0 kW class; FTXS60EV1B 7.1 kW class; FTXS71EV1B

5 Capacity tables

5 - 2 Cooling capacity tables

5MKS90E													
Cooling [50Hz 230V]													
Combination (Capacity)	Outdoor air temp. °CDB	Indoor air temp.: °CWB											
		14°C		16°C		18°C		19°C		22°C		24°C	
		TC kW	PI kW	TC kW	PI kW	TC kW	PI kW	TC kW	PI kW	TC kW	PI kW	TC kW	PI kW
2.0+2.0	22.0	5.15	1.46	5.39	1.49	5.62	1.52	5.74	1.53	6.09	1.58	6.33	1.61
	25.0	5.01	1.52	5.24	1.54	5.48	1.57	5.60	1.59	5.95	1.63	6.19	1.66
	32.0	4.67	1.65	4.91	1.68	5.15	1.71	5.26	1.72	5.62	1.76	5.85	1.79
	35.0	4.53	1.71	4.77	1.74	5.00	1.77	5.12	1.78	5.47	1.82	5.71	1.85
	40.0	4.29	1.82	4.53	1.85	4.76	1.88	4.88	1.89	5.24	1.93	5.47	1.96
	43.0	4.15	1.89	4.38	1.92	4.62	1.95	4.74	1.96	5.09	2.00	5.33	2.03
	46.0	4.01	1.96	4.24	1.99	4.48	2.02	4.60	2.03	4.95	2.08	5.19	2.10
2.0+2.5	22.0	5.56	1.46	5.82	1.49	6.07	1.52	6.20	1.53	6.58	1.58	6.84	1.61
	25.0	5.41	1.52	5.66	1.54	5.92	1.57	6.04	1.59	6.43	1.63	6.68	1.66
	32.0	5.05	1.65	5.30	1.68	5.56	1.71	5.68	1.72	6.07	1.76	6.32	1.79
	35.0	4.89	1.71	5.15	1.74	5.40	1.77	5.53	1.78	5.91	1.82	6.17	1.85
	40.0	4.64	1.82	4.89	1.85	5.15	1.88	5.27	1.89	5.65	1.93	5.91	1.96
	43.0	4.48	1.89	4.74	1.92	4.99	1.95	5.12	1.96	5.50	2.00	5.75	2.03
	46.0	4.33	1.96	4.58	1.99	4.84	2.02	4.96	2.03	5.35	2.08	5.60	2.10
2.0+3.5	22.0	5.96	1.61	6.45	1.73	6.73	1.77	6.87	1.78	7.30	1.83	7.58	1.87
	25.0	5.96	1.74	6.28	1.80	6.56	1.83	6.70	1.85	7.12	1.89	7.41	1.93
	32.0	5.60	1.92	5.88	1.95	6.16	1.98	6.30	2.00	6.72	2.05	7.01	2.08
	35.0	5.42	1.99	5.71	2.02	5.99	2.06	6.13	2.07	6.55	2.12	6.84	2.15
	40.0	5.14	2.12	5.42	2.15	5.70	2.18	5.84	2.20	6.27	2.25	6.55	2.28
	43.0	4.97	2.20	5.25	2.23	5.53	2.26	5.67	2.28	6.10	2.33	6.38	2.36
	46.0	4.80	2.28	5.08	2.31	5.36	2.35	5.50	2.36	5.93	2.41	6.21	2.45
2.0+5.0	22.0	7.35	2.09	7.69	2.13	8.03	2.17	8.19	2.19	8.70	2.25	9.04	2.29
	25.0	7.15	2.16	7.49	2.20	7.82	2.24	7.99	2.26	8.50	2.32	8.83	2.37
	32.0	6.67	2.35	7.01	2.39	7.35	2.43	7.51	2.45	8.02	2.52	8.36	2.56
	35.0	6.47	2.44	6.80	2.48	7.14	2.52	7.31	2.54	7.82	2.60	8.15	2.64
	40.0	6.13	2.60	6.46	2.64	6.80	2.68	6.97	2.70	7.47	2.76	7.81	2.80
	43.0	5.92	2.70	6.26	2.74	6.60	2.78	6.77	2.80	7.27	2.86	7.61	2.90
	46.0	5.72	2.80	6.06	2.84	6.39	2.88	6.56	2.90	7.07	2.96	7.40	3.00
2.0+6.0	22.0	8.01	2.44	8.37	2.49	8.74	2.54	8.92	2.56	9.47	2.63	9.84	2.68
	25.0	7.78	2.53	8.15	2.58	8.52	2.62	8.70	2.65	9.25	2.72	9.62	2.77
	32.0	7.27	2.75	7.63	2.80	8.00	2.85	8.18	2.87	8.73	2.94	9.10	2.99
	35.0	7.04	2.85	7.41	2.90	7.78	2.95	7.96	2.97	8.51	3.04	8.88	3.09
	40.0	6.67	3.04	7.04	3.08	7.41	3.13	7.59	3.16	8.14	3.23	8.51	3.27
	43.0	6.45	3.15	6.82	3.20	7.18	3.25	7.37	3.27	7.92	3.34	8.28	3.39
	46.0	6.21	3.03	6.55	3.03	6.88	3.03	7.04	3.03	7.52	3.03	7.83	3.03
2.0+7.1	22.0	8.25	2.55	8.63	2.60	9.00	2.65	9.19	2.67	9.76	2.75	10.14	2.80
	25.0	8.02	2.64	8.40	2.69	8.77	2.74	8.96	2.76	9.53	2.84	9.91	2.89
	32.0	7.48	2.87	7.86	2.92	8.24	2.97	8.43	3.00	9.00	3.07	9.37	3.12
	35.0	7.26	2.98	7.63	3.03	8.01	3.08	8.20	3.10	8.77	3.18	9.14	3.23
	40.0	6.87	3.17	7.25	3.22	7.63	3.27	7.82	3.29	8.38	3.37	8.76	3.42
	43.0	6.64	3.29	7.02	3.34	7.40	3.39	7.59	3.41	8.16	3.49	8.53	3.54
	46.0	6.39	3.03	6.73	3.03	7.06	3.03	7.23	3.03	7.71	3.03	8.02	3.03

3D052451-1A

SYMBOLS

TC : Total capacity (kW)
PI : Power input (kW)

NOTES

Capacities are based on following conditions
Corresponding refrigerant piping length: 7.5 m
Level difference: 0 m

The above is the value for connecting with the following indoor units.
2.0 kW class; FTXS20CAVMB 2.5 kW class; FTXS25CAVMB
3.5 kW class; FTXS35CAVMB 5.0 kW class; FTXS50EV1B
6.0 kW class; FTXS60EV1B 7.1 kW class; FTXS71EV1B

5 Capacity tables

5 - 2 Cooling capacity tables

5

5MKS90E

Cooling [50Hz 230V]

Combination (Capacity)	Outdoor air temp. °CDB	Indoor air temp.: °CWB											
		14°C		16°C		18°C		19°C		22°C		24°C	
		TC kW	PI kW	TC kW	PI kW	TC kW	PI kW	TC kW	PI kW	TC kW	PI kW	TC kW	PI kW
2.5+2.5	22.0	5.77	1.51	6.29	1.65	6.57	1.68	6.70	1.70	7.12	1.75	7.39	1.78
	25.0	5.77	1.64	6.12	1.71	6.40	1.74	6.54	1.76	6.95	1.80	7.23	1.83
	32.0	5.46	1.82	5.73	1.86	6.01	1.89	6.15	1.90	6.56	1.95	6.84	1.98
	35.0	5.29	1.89	5.57	1.92	5.84	1.96	5.98	1.97	6.39	2.02	6.67	2.05
	40.0	5.01	2.01	5.29	2.05	5.56	2.08	5.70	2.09	6.11	2.14	6.39	2.17
	43.0	4.85	2.09	5.12	2.12	5.40	2.15	5.53	2.17	5.95	2.22	6.22	2.25
	46.0	4.68	2.17	4.95	2.20	5.23	2.23	5.37	2.25	5.78	2.30	6.06	2.33
2.5+3.5	22.0	5.96	1.62	6.94	1.99	7.25	2.03	7.40	2.05	7.86	2.11	8.16	2.15
	25.0	5.96	1.75	6.76	2.06	7.06	2.10	7.21	2.12	7.67	2.18	7.97	2.22
	32.0	5.96	2.16	6.33	2.24	6.63	2.28	6.78	2.30	7.24	2.36	7.54	2.40
	35.0	5.84	2.29	6.14	2.33	6.45	2.36	6.60	2.38	7.06	2.44	7.36	2.48
	40.0	5.53	2.43	5.84	2.47	6.14	2.51	6.29	2.53	6.75	2.59	7.05	2.62
	43.0	5.35	2.53	5.65	2.56	5.96	2.60	6.11	2.62	6.56	2.68	6.87	2.72
	46.0	5.16	2.62	5.47	2.66	5.77	2.70	5.92	2.72	6.38	2.77	6.68	2.81
2.5+5.0	22.0	7.68	2.28	8.04	2.33	8.39	2.37	8.56	2.40	9.09	2.46	9.44	2.51
	25.0	7.47	2.37	7.82	2.41	8.18	2.46	8.35	2.48	8.88	2.54	9.23	2.59
	32.0	6.97	2.58	7.33	2.62	7.68	2.66	7.85	2.69	8.38	2.75	8.73	2.80
	35.0	6.76	2.67	7.11	2.72	7.46	2.76	7.64	2.78	8.17	2.85	8.52	2.89
	40.0	6.40	2.84	6.76	2.89	7.11	2.93	7.28	2.95	7.81	3.02	8.16	3.06
	43.0	6.19	2.95	6.54	3.00	6.89	3.04	7.07	3.06	7.60	3.13	7.95	3.17
	46.0	5.97	3.03	6.31	3.03	6.65	3.03	6.81	3.03	7.29	3.03	7.60	3.03
2.5+6.0	22.0	8.06	2.44	8.43	2.49	8.80	2.54	8.98	2.56	9.53	2.63	9.90	2.68
	25.0	7.83	2.53	8.20	2.58	8.57	2.62	8.76	2.65	9.31	2.72	9.68	2.77
	32.0	7.31	2.75	7.68	2.80	8.05	2.85	8.23	2.87	8.79	2.94	9.16	2.99
	35.0	7.09	2.85	7.46	2.90	7.83	2.95	8.01	2.97	8.56	3.04	8.93	3.09
	40.0	6.71	3.04	7.08	3.08	7.45	3.13	7.64	3.16	8.19	3.23	8.56	3.27
	43.0	6.49	3.15	6.86	3.20	7.23	3.25	7.41	3.27	7.97	3.34	8.34	3.39
	46.0	6.24	3.03	6.58	3.03	6.92	3.03	7.08	3.03	7.56	3.03	7.88	3.03
2.5+7.1	22.0	8.25	2.55	8.63	2.60	9.00	2.65	9.19	2.67	9.76	2.75	10.14	2.80
	25.0	8.02	2.64	8.40	2.69	8.77	2.74	8.96	2.76	9.53	2.84	9.91	2.89
	32.0	7.48	2.87	7.86	2.92	8.24	2.97	8.43	3.00	9.00	3.07	9.37	3.12
	35.0	7.26	2.98	7.63	3.03	8.01	3.08	8.20	3.10	8.77	3.18	9.14	3.23
	40.0	6.87	3.17	7.25	3.22	7.63	3.27	7.82	3.29	8.38	3.37	8.76	3.42
	43.0	6.64	3.29	7.02	3.34	7.40	3.39	7.59	3.41	8.16	3.49	8.53	3.54
	46.0	6.39	3.03	6.73	3.03	7.06	3.03	7.23	3.03	7.71	3.03	8.02	3.03
3.5+3.5	22.0	6.15	1.68	7.55	2.30	7.92	2.37	8.08	2.39	8.58	2.45	8.91	2.50
	25.0	6.15	1.82	7.38	2.40	7.72	2.45	7.88	2.47	8.38	2.54	8.71	2.58
	32.0	6.15	2.24	6.91	2.61	7.25	2.65	7.41	2.68	7.91	2.74	8.24	2.79
	35.0	6.15	2.46	6.71	2.71	7.04	2.75	7.21	2.77	7.71	2.84	8.04	2.88
	40.0	6.04	2.83	6.38	2.88	6.71	2.92	6.87	2.94	7.37	3.01	7.70	3.05
	43.0	5.84	2.94	6.17	2.98	6.51	3.03	6.67	3.05	7.17	3.12	7.50	3.16
	46.0	5.64	3.03	5.97	3.03	6.28	3.03	6.44	3.03	6.90	3.03	7.20	3.03

3D052451-2A

SYMBOLS

TC : Total capacity (kW)
PI : Power input (kW)

NOTES

Capacities are based on following conditions
Corresponding refrigerant piping length: 7.5 m
Level difference: 0 m

The above is the value for connecting with the following indoor units.
2.0 kW class; FTXS20CAVMB 2.5 kW class; FTXS25CAVMB
3.5 kW class; FTXS35CAVMB 5.0 kW class; FTXS50EV1B
6.0 kW class; FTXS60EV1B 7.1 kW class; FTXS71EV1B

5 Capacity tables

5 - 2 Cooling capacity tables

5MKS90E													
Cooling [50Hz 230V]													
Combination (Capacity)	Outdoor air temp. °CDB	Indoor air temp.: °CWB											
		14°C		16°C		18°C		19°C		22°C		24°C	
		TC kW	PI kW	TC kW	PI kW	TC kW	PI kW	TC kW	PI kW	TC kW	PI kW	TC kW	PI kW
3.5+5.0	22.0	8.02	2.44	8.38	2.49	8.75	2.54	8.93	2.56	9.49	2.63	9.85	2.68
	25.0	7.79	2.53	8.16	2.58	8.53	2.62	8.71	2.65	9.26	2.72	9.63	2.77
	32.0	7.27	2.75	7.64	2.80	8.01	2.85	8.19	2.87	8.74	2.94	9.11	2.99
	35.0	7.05	2.85	7.42	2.90	7.79	2.95	7.97	2.97	8.52	3.04	8.89	3.09
	40.0	6.68	3.04	7.05	3.08	7.42	3.13	7.60	3.16	8.15	3.23	8.52	3.27
	43.0	6.46	3.15	6.83	3.20	7.19	3.25	7.38	3.27	7.93	3.34	8.29	3.39
	46.0	6.21	3.03	6.55	3.03	6.89	3.03	7.05	3.03	7.53	3.03	7.84	3.03
3.5+6.0	22.0	8.23	2.55	8.61	2.60	8.98	2.65	9.17	2.67	9.74	2.75	10.11	2.80
	25.0	8.00	2.64	8.38	2.69	8.75	2.74	8.94	2.76	9.51	2.84	9.88	2.89
	32.0	7.47	2.87	7.84	2.92	8.22	2.97	8.41	3.00	8.97	3.07	9.35	3.12
	35.0	7.24	2.98	7.61	3.03	7.99	3.08	8.18	3.10	8.75	3.18	9.12	3.23
	40.0	6.86	3.17	7.23	3.22	7.61	3.27	7.80	3.29	8.36	3.37	8.74	3.42
	43.0	6.63	3.29	7.01	3.34	7.38	3.39	7.57	3.41	8.14	3.49	8.51	3.54
	46.0	6.38	3.03	6.72	3.03	7.05	3.03	7.21	3.03	7.69	3.03	8.00	3.03
3.5+7.1	22.0	8.25	2.55	8.63	2.60	9.00	2.65	9.19	2.67	9.76	2.75	10.14	2.80
	25.0	8.02	2.64	8.40	2.69	8.77	2.74	8.96	2.76	9.53	2.84	9.91	2.89
	32.0	7.48	2.87	7.86	2.92	8.24	2.97	8.43	3.00	9.00	3.07	9.37	3.12
	35.0	7.26	2.98	7.63	3.03	8.01	3.08	8.20	3.10	8.77	3.18	9.14	3.23
	40.0	6.87	3.17	7.25	3.22	7.63	3.27	7.82	3.29	8.38	3.37	8.76	3.42
	43.0	6.64	3.29	7.02	3.34	7.40	3.39	7.59	3.41	8.16	3.49	8.53	3.54
	46.0	6.39	3.03	6.73	3.03	7.06	3.03	7.23	3.03	7.71	3.03	8.02	3.03
5.0+5.0	22.0	8.81	2.61	9.22	2.66	9.62	2.72	9.82	2.74	10.43	2.82	10.83	2.87
	25.0	8.57	2.71	8.97	2.76	9.37	2.81	9.58	2.83	10.18	2.91	10.58	2.96
	32.0	8.00	2.95	8.40	3.00	8.80	3.05	9.00	3.07	9.61	3.15	10.01	3.20
	35.0	7.75	3.06	8.15	3.11	8.56	3.16	8.76	3.18	9.37	3.26	9.77	3.31
	40.0	7.34	3.25	7.75	3.30	8.15	3.35	8.35	3.38	8.96	3.45	9.36	3.51
	43.0	7.10	3.38	7.50	3.43	7.91	3.48	8.11	3.50	8.71	3.58	9.10	3.60
	46.0	6.79	3.03	7.14	3.03	7.48	3.03	7.65	3.03	8.15	3.03	8.48	3.03
5.0+6.0	22.0	8.84	2.62	9.25	2.67	9.65	2.72	9.85	2.75	10.46	2.83	10.87	2.88
	25.0	8.60	2.72	9.00	2.77	9.41	2.82	9.61	2.84	10.22	2.92	10.62	2.97
	32.0	8.02	2.95	8.43	3.01	8.83	3.06	9.04	3.08	9.64	3.16	10.05	3.21
	35.0	7.78	3.07	8.18	3.12	8.59	3.17	8.79	3.19	9.40	3.27	9.80	3.32
	40.0	7.37	3.26	7.77	3.31	8.18	3.36	8.38	3.39	8.99	3.47	9.39	3.52
	43.0	7.12	3.39	7.53	3.44	7.93	3.49	8.14	3.51	8.74	3.59	9.13	3.60
	46.0	6.81	3.03	7.16	3.03	7.51	3.03	7.68	3.03	8.18	3.03	8.50	3.03
5.0+7.1	22.0	9.04	2.74	9.46	2.79	9.87	2.84	10.08	2.87	10.70	2.95	11.11	3.00
	25.0	8.79	2.83	9.21	2.89	9.62	2.94	9.83	2.97	10.45	3.05	10.86	3.10
	32.0	8.21	3.08	8.62	3.14	9.03	3.19	9.24	3.22	9.86	3.30	10.28	3.35
	35.0	7.95	3.20	8.37	3.25	8.78	3.31	8.99	3.33	9.61	3.41	10.03	3.47
	40.0	7.54	3.40	7.95	3.46	8.36	3.51	8.57	3.54	9.19	3.62	9.61	3.67
	43.0	7.28	3.53	7.70	3.59	8.11	3.60	8.31	3.60	8.91	3.60	9.29	3.60
	46.0	6.97	3.03	7.32	3.03	7.66	3.03	7.83	3.03	8.33	3.03	8.66	3.03

3D052451-2A

SYMBOLS

TC : Total capacity (kW)
PI : Power input (kW)

NOTES

Capacities are based on following conditions
Corresponding refrigerant piping length: 7.5 m
Level difference: 0 m

The above is the value for connecting with the following indoor units.
2.0 kW class; FTXS20CAVMB 2.5 kW class; FTXS25CAVMB
3.5 kW class; FTXS35CAVMB 5.0 kW class; FTXS50EV1B
6.0 kW class; FTXS60EV1B 7.1 kW class; FTXS71EV1B

5 Capacity tables

5 - 2 Cooling capacity tables

5

5MKS90E

Cooling [50Hz 230V]

Combination (Capacity)	Outdoor air temp. °CDB	Indoor air temp.: °CWB											
		14°C		16°C		18°C		19°C		22°C		24°C	
		TC kW	PI kW	TC kW	PI kW	TC kW	PI kW	TC kW	PI kW	TC kW	PI kW	TC kW	PI kW
6.0+6.0	22.0	9.05	2.74	9.47	2.79	9.88	2.84	10.09	2.87	10.71	2.95	11.13	3.00
	25.0	8.80	2.83	9.22	2.89	9.63	2.94	9.84	2.97	10.46	3.05	10.87	3.10
	32.0	8.21	3.08	8.63	3.14	9.04	3.19	9.25	3.22	9.87	3.30	10.29	3.35
	35.0	7.96	3.20	8.38	3.25	8.79	3.31	9.00	3.33	9.62	3.41	10.04	3.47
	40.0	7.54	3.40	7.96	3.46	8.37	3.51	8.58	3.54	9.20	3.62	9.62	3.67
	43.0	7.29	3.53	7.71	3.59	8.12	3.60	8.32	3.60	8.92	3.60	9.30	3.60
	46.0	6.98	3.03	7.33	3.03	7.67	3.03	7.84	3.03	8.34	3.03	8.66	3.03
6.0+7.1	22.0	9.07	2.74	9.49	2.79	9.90	2.84	10.11	2.87	10.74	2.95	11.15	3.00
	25.0	8.82	2.83	9.24	2.89	9.65	2.94	9.86	2.97	10.48	3.05	10.90	3.10
	32.0	8.23	3.08	8.65	3.14	9.06	3.19	9.27	3.22	9.90	3.30	10.31	3.35
	35.0	7.98	3.20	8.40	3.25	8.81	3.31	9.02	3.33	9.64	3.41	10.06	3.47
	40.0	7.56	3.40	7.98	3.46	8.39	3.51	8.60	3.54	9.22	3.62	9.64	3.67
	43.0	7.31	3.53	7.72	3.59	8.14	3.60	8.34	3.60	8.93	3.60	9.32	3.60
	46.0	6.99	3.03	7.34	3.03	7.69	3.03	7.86	3.03	8.35	3.03	8.68	3.03
7.1+7.1	22.0	9.09	2.74	9.51	2.80	9.93	2.85	10.13	2.88	10.76	2.96	11.18	3.01
	25.0	8.84	2.84	9.26	2.90	9.67	2.95	9.88	2.98	10.51	3.06	10.92	3.11
	32.0	8.25	3.09	8.67	3.15	9.08	3.20	9.29	3.23	9.92	3.31	10.33	3.36
	35.0	8.00	3.21	8.42	3.26	8.83	3.32	9.04	3.34	9.66	3.42	10.08	3.48
	40.0	7.58	3.42	7.99	3.47	8.41	3.52	8.62	3.55	9.24	3.63	9.66	3.68
	43.0	7.33	3.55	7.74	3.60	8.15	3.60	8.36	3.60	8.95	3.60	9.34	3.60
	46.0	7.00	3.03	7.36	3.03	7.70	3.03	7.87	3.03	8.37	3.03	8.69	3.03
2.0+2.0+2.0	22.0	6.67	1.73	6.97	1.76	7.28	1.79	7.43	1.81	7.89	1.86	8.20	1.89
	25.0	6.48	1.79	6.79	1.82	7.09	1.86	7.25	1.87	7.71	1.92	8.01	1.96
	32.0	6.05	1.95	6.36	1.98	6.66	2.01	6.82	2.03	7.27	2.08	7.58	2.11
	35.0	5.87	2.02	6.17	2.05	6.48	2.09	6.63	2.10	7.09	2.15	7.39	2.19
	40.0	5.56	2.15	5.86	2.18	6.17	2.21	6.32	2.23	6.78	2.28	7.08	2.32
	43.0	5.37	2.23	5.68	2.26	5.98	2.30	6.14	2.31	6.59	2.36	6.90	2.40
	46.0	5.19	2.31	5.49	2.35	5.80	2.38	5.95	2.40	6.41	2.45	6.71	2.48
2.0+2.0+2.5	22.0	7.01	1.91	7.33	1.94	7.65	1.98	7.81	2.00	8.30	2.06	8.62	2.09
	25.0	6.82	1.98	7.14	2.01	7.46	2.05	7.62	2.07	8.10	2.12	8.42	2.16
	32.0	6.36	2.15	6.68	2.19	7.00	2.22	7.16	2.24	7.65	2.30	7.97	2.33
	35.0	6.17	2.23	6.49	2.27	6.81	2.30	6.97	2.32	7.45	2.38	7.77	2.42
	40.0	5.84	2.37	6.16	2.41	6.48	2.45	6.65	2.46	7.13	2.52	7.45	2.56
	43.0	5.65	2.46	5.97	2.50	6.29	2.54	6.45	2.56	6.93	2.61	7.25	2.65
	46.0	5.45	2.56	5.77	2.59	6.10	2.63	6.26	2.65	6.74	2.70	7.06	2.74
2.0+2.0+3.5	22.0	7.68	2.28	8.04	2.33	8.39	2.37	8.56	2.40	9.09	2.46	9.44	2.51
	25.0	7.47	2.37	7.82	2.41	8.18	2.46	8.35	2.48	8.88	2.54	9.23	2.59
	32.0	6.97	2.58	7.33	2.62	7.68	2.66	7.85	2.69	8.38	2.75	8.73	2.80
	35.0	6.76	2.67	7.11	2.72	7.46	2.76	7.64	2.78	8.17	2.85	8.52	2.89
	40.0	6.40	2.84	6.76	2.89	7.11	2.93	7.28	2.95	7.81	3.02	8.16	3.06
	43.0	6.19	2.95	6.54	3.00	6.89	3.04	7.07	3.06	7.60	3.13	7.95	3.17
	46.0	5.97	3.03	6.31	3.03	6.65	3.03	6.81	3.03	7.29	3.03	7.60	3.03

3D052451-3A

SYMBOLS

TC : Total capacity (kW)
PI : Power input (kW)

NOTES

Capacities are based on following conditions
Corresponding refrigerant piping length: 7.5 m
Level difference: 0 m

The above is the value for connecting with the following indoor units.
2.0 kW class; FTXS20CAVMB 2.5 kW class; FTXS25CAVMB
3.5 kW class; FTXS35CAVMB 5.0 kW class; FTXS50EV1B
6.0 kW class; FTXS60EV1B 7.1 kW class; FTXS71EV1B

5 Capacity tables

5 - 2 Cooling capacity tables

5MKS90E

Cooling [50Hz 230V]

Combination (Capacity)	Outdoor air temp. °CDB	Indoor air temp.: °CWB											
		14°C		16°C		18°C		19°C		22°C		24°C	
		TC kW	PI kW	TC kW	PI kW	TC kW	PI kW	TC kW	PI kW	TC kW	PI kW	TC kW	PI kW
2.0+2.0+5.0	22.0	8.58	2.51	8.97	2.56	9.37	2.60	9.56	2.63	10.15	2.70	10.55	2.75
	25.0	8.34	2.60	8.73	2.65	9.13	2.69	9.32	2.72	9.91	2.79	10.31	2.84
	32.0	7.79	2.83	8.18	2.87	8.57	2.92	8.77	2.95	9.36	3.02	9.75	3.07
	35.0	7.55	2.93	7.94	2.98	8.33	3.03	8.53	3.05	9.12	3.13	9.51	3.18
	40.0	7.15	3.12	7.54	3.17	7.94	3.22	8.13	3.24	8.72	3.31	9.12	3.36
	43.0	6.91	3.24	7.31	3.29	7.70	3.33	7.89	3.36	8.48	3.43	8.88	3.48
	46.0	6.62	3.03	6.97	3.03	7.31	3.03	7.48	3.03	7.98	3.03	8.31	3.03
2.0+2.0+6.0	22.0	8.84	2.62	9.25	2.67	9.65	2.72	9.85	2.75	10.46	2.83	10.87	2.88
	25.0	8.60	2.72	9.00	2.77	9.41	2.82	9.61	2.84	10.22	2.92	10.62	2.97
	32.0	8.02	2.95	8.43	3.01	8.83	3.06	9.04	3.08	9.64	3.16	10.05	3.21
	35.0	7.78	3.07	8.18	3.12	8.59	3.17	8.79	3.19	9.40	3.27	9.80	3.32
	40.0	7.37	3.26	7.77	3.31	8.18	3.36	8.38	3.39	8.99	3.47	9.39	3.52
	43.0	7.12	3.39	7.53	3.44	7.93	3.49	8.14	3.51	8.74	3.59	9.13	3.60
	46.0	6.81	3.03	7.16	3.03	7.51	3.03	7.68	3.03	8.18	3.03	8.50	3.03
2.0+2.0+7.1	22.0	9.03	2.74	9.45	2.79	9.86	2.84	10.07	2.87	10.69	2.95	11.10	3.00
	25.0	8.78	2.83	9.20	2.89	9.61	2.94	9.82	2.97	10.44	3.05	10.85	3.10
	32.0	8.20	3.08	8.61	3.14	9.02	3.19	9.23	3.22	9.85	3.30	10.27	3.35
	35.0	7.95	3.20	8.36	3.25	8.77	3.31	8.98	3.33	9.60	3.41	10.01	3.47
	40.0	7.53	3.40	7.94	3.46	8.36	3.51	8.56	3.54	9.18	3.62	9.60	3.67
	43.0	7.28	3.53	7.69	3.59	8.10	3.60	8.30	3.60	8.90	3.60	9.28	3.60
	46.0	6.96	3.03	7.31	3.03	7.66	3.03	7.83	3.03	8.32	3.03	8.65	3.03
2.0+2.5+2.5	22.0	7.35	2.09	7.69	2.13	8.03	2.17	8.19	2.19	8.70	2.25	9.04	2.29
	25.0	7.15	2.16	7.49	2.20	7.82	2.24	7.99	2.26	8.50	2.32	8.83	2.37
	32.0	6.67	2.35	7.01	2.39	7.35	2.43	7.51	2.45	8.02	2.52	8.36	2.56
	35.0	6.47	2.44	6.80	2.48	7.14	2.52	7.31	2.54	7.82	2.60	8.15	2.64
	40.0	6.13	2.60	6.46	2.64	6.80	2.68	6.97	2.70	7.47	2.76	7.81	2.80
	43.0	5.92	2.70	6.26	2.74	6.60	2.78	6.77	2.80	7.27	2.86	7.61	2.90
	46.0	5.72	2.80	6.06	2.84	6.39	2.88	6.56	2.90	7.07	2.96	7.40	3.00
2.0+2.5+3.5	22.0	8.01	2.44	8.37	2.49	8.74	2.54	8.92	2.56	9.47	2.63	9.84	2.68
	25.0	7.78	2.53	8.15	2.58	8.52	2.62	8.70	2.65	9.25	2.72	9.62	2.77
	32.0	7.27	2.75	7.63	2.80	8.00	2.85	8.18	2.87	8.73	2.94	9.10	2.99
	35.0	7.04	2.85	7.41	2.90	7.78	2.95	7.96	2.97	8.51	3.04	8.88	3.09
	40.0	6.67	3.04	7.04	3.08	7.41	3.13	7.59	3.16	8.14	3.23	8.51	3.27
	43.0	6.45	3.15	6.82	3.20	7.18	3.25	7.37	3.27	7.92	3.34	8.28	3.39
	46.0	6.21	3.03	6.55	3.03	6.88	3.03	7.04	3.03	7.52	3.03	7.83	3.03
2.0+2.5+5.0	22.0	8.80	2.61	9.20	2.66	9.61	2.72	9.81	2.74	10.41	2.82	10.82	2.87
	25.0	8.56	2.71	8.96	2.76	9.36	2.81	9.56	2.83	10.17	2.91	10.57	2.96
	32.0	7.99	2.95	8.39	3.00	8.79	3.05	8.99	3.07	9.60	3.15	10.00	3.20
	35.0	7.74	3.06	8.15	3.11	8.55	3.16	8.75	3.18	9.35	3.26	9.76	3.31
	40.0	7.33	3.25	7.74	3.30	8.14	3.35	8.34	3.38	8.95	3.45	9.35	3.51
	43.0	7.09	3.38	7.49	3.43	7.90	3.48	8.10	3.50	8.70	3.58	9.09	3.60
	46.0	6.78	3.03	7.13	3.03	7.48	3.03	7.65	3.03	8.14	3.03	8.47	3.03

3D052451-3A

SYMBOLS

TC : Total capacity (kW)
PI : Power input (kW)

NOTES

Capacities are based on following conditions
Corresponding refrigerant piping length: 7.5 m
Level difference: 0 m

The above is the value for connecting with the following indoor units.
2.0 kW class; FTXS20CAVMB 2.5 kW class; FTXS25CAVMB
3.5 kW class; FTXS35CAVMB 5.0 kW class; FTXS50EV1B
6.0 kW class; FTXS60EV1B 7.1 kW class; FTXS71EV1B

5 Capacity tables

5 - 2 Cooling capacity tables

5

5MKS90E

Cooling [50Hz 230V]

Combination (Capacity)	Outdoor air temp. °CDB	Indoor air temp.: °CWB											
		14°C		16°C		18°C		19°C		22°C		24°C	
		TC kW	PI kW	TC kW	PI kW	TC kW	PI kW	TC kW	PI kW	TC kW	PI kW	TC kW	PI kW
2.0+2.5+6.0	22.0	8.84	2.62	9.25	2.67	9.65	2.72	9.85	2.75	10.46	2.83	10.87	2.88
	25.0	8.60	2.72	9.00	2.77	9.41	2.82	9.61	2.84	10.22	2.92	10.62	2.97
	32.0	8.02	2.95	8.43	3.01	8.83	3.06	9.04	3.08	9.64	3.16	10.05	3.21
	35.0	7.78	3.07	8.18	3.12	8.59	3.17	8.79	3.19	9.40	3.27	9.80	3.32
	40.0	7.37	3.26	7.77	3.31	8.18	3.36	8.38	3.39	8.99	3.47	9.39	3.52
	43.0	7.12	3.39	7.53	3.44	7.93	3.49	8.14	3.51	8.74	3.59	9.13	3.60
	46.0	6.81	3.03	7.16	3.03	7.51	3.03	7.68	3.03	8.18	3.03	8.50	3.03
2.0+2.5+7.1	22.0	9.03	2.74	9.45	2.79	9.86	2.84	10.07	2.87	10.69	2.95	11.10	3.00
	25.0	8.78	2.83	9.20	2.89	9.61	2.94	9.82	2.97	10.44	3.05	10.85	3.10
	32.0	8.20	3.08	8.61	3.14	9.02	3.19	9.23	3.22	9.85	3.30	10.27	3.35
	35.0	7.95	3.20	8.36	3.25	8.77	3.31	8.98	3.33	9.60	3.41	10.01	3.47
	40.0	7.53	3.40	7.94	3.46	8.36	3.51	8.56	3.54	9.18	3.62	9.60	3.67
	43.0	7.28	3.53	7.69	3.59	8.10	3.60	8.30	3.60	8.90	3.60	9.28	3.60
	46.0	6.96	3.03	7.31	3.03	7.66	3.03	7.83	3.03	8.32	3.03	8.65	3.03
2.0+3.5+3.5	22.0	8.19	2.54	8.56	2.59	8.94	2.64	9.13	2.66	9.69	2.74	10.06	2.79
	25.0	7.96	2.63	8.34	2.68	8.71	2.73	8.90	2.75	9.46	2.83	9.84	2.88
	32.0	7.43	2.86	7.80	2.91	8.18	2.96	8.37	2.99	8.93	3.06	9.30	3.11
	35.0	7.20	2.97	7.58	3.02	7.95	3.07	8.14	3.09	8.70	3.17	9.08	3.22
	40.0	6.82	3.16	7.20	3.21	7.57	3.26	7.76	3.28	8.32	3.36	8.70	3.41
	43.0	6.60	3.28	6.97	3.33	7.35	3.38	7.53	3.40	8.10	3.48	8.47	3.53
	46.0	6.35	3.03	6.69	3.03	7.02	3.03	7.18	3.03	7.66	3.03	7.97	3.03
2.0+3.5+5.0	22.0	8.80	2.61	9.20	2.66	9.61	2.72	9.81	2.74	10.41	2.82	10.82	2.87
	25.0	8.56	2.71	8.96	2.76	9.36	2.81	9.56	2.83	10.17	2.91	10.57	2.96
	32.0	7.99	2.95	8.39	3.00	8.79	3.05	8.99	3.07	9.60	3.15	10.00	3.20
	35.0	7.74	3.06	8.15	3.11	8.55	3.16	8.75	3.18	9.35	3.26	9.76	3.31
	40.0	7.33	3.25	7.74	3.30	8.14	3.35	8.34	3.38	8.95	3.45	9.35	3.51
	43.0	7.09	3.38	7.49	3.43	7.90	3.48	8.10	3.50	8.70	3.58	9.09	3.60
	46.0	6.78	3.03	7.13	3.03	7.48	3.03	7.65	3.03	8.14	3.03	8.47	3.03
2.0+3.5+6.0	22.0	9.01	2.73	9.43	2.78	9.84	2.83	10.04	2.86	10.66	2.94	11.08	2.99
	25.0	8.76	2.83	9.18	2.88	9.59	2.93	9.79	2.96	10.41	3.04	10.83	3.09
	32.0	8.18	3.08	8.59	3.13	9.00	3.18	9.21	3.21	9.83	3.29	10.24	3.34
	35.0	7.93	3.19	8.34	3.24	8.75	3.30	8.96	3.32	9.58	3.40	9.99	3.46
	40.0	7.51	3.39	7.92	3.45	8.34	3.50	8.54	3.53	9.16	3.61	9.57	3.66
	43.0	7.26	3.52	7.67	3.58	8.08	3.60	8.29	3.60	8.88	3.60	9.27	3.60
	46.0	6.95	3.03	7.30	3.03	7.64	3.03	7.81	3.03	8.31	3.03	8.63	3.03
2.0+3.5+7.1	22.0	9.03	2.74	9.45	2.79	9.86	2.84	10.07	2.87	10.69	2.95	11.10	3.00
	25.0	8.78	2.83	9.20	2.89	9.61	2.94	9.82	2.97	10.44	3.05	10.85	3.10
	32.0	8.20	3.08	8.61	3.14	9.02	3.19	9.23	3.22	9.85	3.30	10.27	3.35
	35.0	7.95	3.20	8.36	3.25	8.77	3.31	8.98	3.33	9.60	3.41	10.01	3.47
	40.0	7.53	3.40	7.94	3.46	8.36	3.51	8.56	3.54	9.18	3.62	9.60	3.67
	43.0	7.28	3.53	7.69	3.59	8.10	3.60	8.30	3.60	8.90	3.60	9.28	3.60
	46.0	6.96	3.03	7.31	3.03	7.66	3.03	7.83	3.03	8.32	3.03	8.65	3.03

3D052451-4A

SYMBOLS

TC : Total capacity (kW)
PI : Power input (kW)

NOTES

Capacities are based on following conditions
Corresponding refrigerant piping length: 7.5 m
Level difference: 0 m

The above is the value for connecting with the following indoor units.
2.0 kW class; FTXS20CAVMB 2.5 kW class; FTXS25CAVMB
3.5 kW class; FTXS35CAVMB 5.0 kW class; FTXS50EV1B
6.0 kW class; FTXS60EV1B 7.1 kW class; FTXS71EV1B

5 Capacity tables

5 - 2 Cooling capacity tables

5MKS90E													
Cooling [50Hz 230V]													
Combination (Capacity)	Outdoor air temp. °CDB	Indoor air temp.: °CWB											
		14°C		16°C		18°C		19°C		22°C		24°C	
		TC kW	PI kW	TC kW	PI kW	TC kW	PI kW	TC kW	PI kW	TC kW	PI kW	TC kW	PI kW
2.0+5.0+5.0	22.0	9.61	2.81	10.05	2.87	10.49	2.92	10.71	2.95	11.37	3.03	11.81	3.08
	25.0	9.34	2.91	9.78	2.97	10.22	3.02	10.44	3.05	11.10	3.13	11.54	3.19
	32.0	8.72	3.17	9.16	3.22	9.60	3.28	9.82	3.30	10.48	3.39	10.92	3.44
	35.0	8.45	3.29	8.89	3.34	9.33	3.40	9.55	3.42	10.21	3.51	10.65	3.56
	40.0	8.01	3.50	8.45	3.55	8.89	3.61	9.11	3.63	9.77	3.72	10.20	3.75
	43.0	7.74	3.60	8.17	3.60	8.60	3.60	8.81	3.60	9.42	3.60	9.82	3.60
	46.0	7.35	3.03	7.71	3.03	8.07	3.03	8.24	3.03	8.76	3.03	9.09	3.03
2.0+5.0+6.0	22.0	9.64	2.81	10.08	2.87	10.52	2.92	10.74	2.95	11.40	3.03	11.84	3.08
	25.0	9.37	2.91	9.81	2.97	10.25	3.02	10.47	3.05	11.13	3.13	11.58	3.19
	32.0	8.74	3.17	9.19	3.22	9.63	3.28	9.85	3.30	10.51	3.39	10.95	3.44
	35.0	8.48	3.29	8.92	3.34	9.36	3.40	9.58	3.42	10.24	3.51	10.68	3.56
	40.0	8.03	3.50	8.47	3.55	8.91	3.61	9.13	3.63	9.80	3.72	10.23	3.75
	43.0	7.76	3.60	8.20	3.60	8.62	3.60	8.83	3.60	9.45	3.60	9.85	3.60
	46.0	7.37	3.03	7.73	3.03	8.09	3.03	8.26	3.03	8.78	3.03	9.11	3.03
2.0+5.0+7.1	22.0	9.66	2.81	10.10	2.87	10.54	2.92	10.76	2.95	11.43	3.03	11.87	3.08
	25.0	9.39	2.91	9.83	2.97	10.27	3.02	10.49	3.05	11.16	3.13	11.60	3.19
	32.0	8.76	3.17	9.20	3.22	9.65	3.28	9.87	3.30	10.53	3.39	10.97	3.44
	35.0	8.49	3.29	8.94	3.34	9.38	3.40	9.60	3.42	10.26	3.51	10.71	3.56
	40.0	8.05	3.50	8.49	3.55	8.93	3.61	9.15	3.63	9.82	3.72	10.25	3.75
	43.0	7.78	3.60	8.21	3.60	8.64	3.60	8.85	3.60	9.47	3.60	9.87	3.60
	46.0	7.38	3.03	7.74	3.03	8.10	3.03	8.28	3.03	8.79	3.03	9.13	3.03
2.0+6.0+6.0	22.0	9.68	2.82	10.12	2.87	10.56	2.93	10.78	2.96	11.45	3.04	11.89	3.09
	25.0	9.41	2.92	9.85	2.97	10.29	3.03	10.52	3.06	11.18	3.14	11.62	3.19
	32.0	8.78	3.18	9.22	3.23	9.67	3.29	9.89	3.31	10.55	3.40	11.00	3.45
	35.0	8.51	3.30	8.96	3.35	9.40	3.41	9.62	3.43	10.28	3.52	10.73	3.57
	40.0	8.06	3.51	8.51	3.56	8.95	3.62	9.17	3.64	9.84	3.73	10.27	3.75
	43.0	7.80	3.60	8.23	3.60	8.66	3.60	8.87	3.60	9.48	3.60	9.88	3.60
	46.0	7.40	3.03	7.76	3.03	8.12	3.03	8.29	3.03	8.81	3.03	9.14	3.03
2.0+6.0+7.1	22.0	10.13	3.26	10.59	3.33	11.06	3.39	11.29	3.42	11.99	3.52	12.45	3.58
	25.0	9.85	3.38	10.31	3.44	10.78	3.51	11.01	3.54	11.70	3.63	12.17	3.70
	32.0	9.19	3.68	9.66	3.74	10.12	3.80	10.35	3.84	11.05	3.93	11.51	4.00
	35.0	8.91	3.82	9.37	3.88	9.84	3.94	10.07	3.97	10.75	4.02	11.19	4.02
	40.0	8.44	3.75	8.91	3.75	9.37	3.75	9.59	3.75	10.22	3.75	10.63	3.75
	43.0	8.16	3.60	8.62	3.60	9.09	3.60	9.32	3.60	9.94	3.60	10.33	3.60
	46.0	7.88	3.03	8.25	3.03	8.60	3.03	8.77	3.03	9.28	3.03	9.61	3.03
2.5+2.5+2.5	22.0	7.68	2.28	8.04	2.33	8.39	2.37	8.56	2.40	9.09	2.46	9.44	2.51
	25.0	7.47	2.37	7.82	2.41	8.18	2.46	8.35	2.48	8.88	2.54	9.23	2.59
	32.0	6.97	2.58	7.33	2.62	7.68	2.66	7.85	2.69	8.38	2.75	8.73	2.80
	35.0	6.76	2.67	7.11	2.72	7.46	2.76	7.64	2.78	8.17	2.85	8.52	2.89
	40.0	6.40	2.84	6.76	2.89	7.11	2.93	7.28	2.95	7.81	3.02	8.16	3.06
	43.0	6.19	2.95	6.54	3.00	6.89	3.04	7.07	3.06	7.60	3.13	7.95	3.17
	46.0	5.97	3.03	6.31	3.03	6.65	3.03	6.81	3.03	7.29	3.03	7.60	3.03

3D052451-4A

SYMBOLS

TC : Total capacity (kW)
PI : Power input (kW)

NOTES

Capacities are based on following conditions
Corresponding refrigerant piping length: 7.5 m
Level difference: 0 m

The above is the value for connecting with the following indoor units.
2.0 kW class; FTXS20CAVMB 2.5 kW class; FTXS25CAVMB
3.5 kW class; FTXS35CAVMB 5.0 kW class; FTXS50EV1B
6.0 kW class; FTXS60EV1B 7.1 kW class; FTXS71EV1B

5 Capacity tables

5 - 2 Cooling capacity tables

5

5MKS90E

Cooling [50Hz 230V]

Combination (Capacity)	Outdoor air temp. °CDB	Indoor air temp.: °CWB											
		14°C		16°C		18°C		19°C		22°C		24°C	
		TC kW	PI kW	TC kW	PI kW	TC kW	PI kW	TC kW	PI kW	TC kW	PI kW	TC kW	PI kW
2.5+2.5+3.5	22.0	8.02	2.44	8.38	2.49	8.75	2.54	8.93	2.56	9.49	2.63	9.85	2.68
	25.0	7.79	2.53	8.16	2.58	8.53	2.62	8.71	2.65	9.26	2.72	9.63	2.77
	32.0	7.27	2.75	7.64	2.80	8.01	2.85	8.19	2.87	8.74	2.94	9.11	2.99
	35.0	7.05	2.85	7.42	2.90	7.79	2.95	7.97	2.97	8.52	3.04	8.89	3.09
	40.0	6.68	3.04	7.05	3.08	7.42	3.13	7.60	3.16	8.15	3.23	8.52	3.27
	43.0	6.46	3.15	6.83	3.20	7.19	3.25	7.38	3.27	7.93	3.34	8.29	3.39
	46.0	6.21	3.03	6.55	3.03	6.89	3.03	7.05	3.03	7.53	3.03	7.84	3.03
2.5+2.5+5.0	22.0	8.80	2.61	9.20	2.66	9.61	2.72	9.81	2.74	10.41	2.82	10.82	2.87
	25.0	8.56	2.71	8.96	2.76	9.36	2.81	9.56	2.83	10.17	2.91	10.57	2.96
	32.0	7.99	2.95	8.39	3.00	8.79	3.05	8.99	3.07	9.60	3.15	10.00	3.20
	35.0	7.74	3.06	8.15	3.11	8.55	3.16	8.75	3.18	9.35	3.26	9.76	3.31
	40.0	7.33	3.25	7.74	3.30	8.14	3.35	8.34	3.38	8.95	3.45	9.35	3.51
	43.0	7.09	3.38	7.49	3.43	7.90	3.48	8.10	3.50	8.70	3.58	9.09	3.60
	46.0	6.78	3.03	7.13	3.03	7.48	3.03	7.65	3.03	8.14	3.03	8.47	3.03
2.5+2.5+6.0	22.0	8.84	2.62	9.25	2.67	9.65	2.72	9.85	2.75	10.46	2.83	10.87	2.88
	25.0	8.60	2.72	9.00	2.77	9.41	2.82	9.61	2.84	10.22	2.92	10.62	2.97
	32.0	8.02	2.95	8.43	3.01	8.83	3.06	9.04	3.08	9.64	3.16	10.05	3.21
	35.0	7.78	3.07	8.18	3.12	8.59	3.17	8.79	3.19	9.40	3.27	9.80	3.32
	40.0	7.37	3.26	7.77	3.31	8.18	3.36	8.38	3.39	8.99	3.47	9.39	3.52
	43.0	7.12	3.39	7.53	3.44	7.93	3.49	8.14	3.51	8.74	3.59	9.13	3.60
	46.0	6.81	3.03	7.16	3.03	7.51	3.03	7.68	3.03	8.18	3.03	8.50	3.03
2.5+2.5+7.1	22.0	9.03	2.74	9.45	2.79	9.86	2.84	10.07	2.87	10.69	2.95	11.10	3.00
	25.0	8.78	2.83	9.20	2.89	9.61	2.94	9.82	2.97	10.44	3.05	10.85	3.10
	32.0	8.20	3.08	8.61	3.14	9.02	3.19	9.23	3.22	9.85	3.30	10.27	3.35
	35.0	7.95	3.20	8.36	3.25	8.77	3.31	8.98	3.33	9.60	3.41	10.01	3.47
	40.0	7.53	3.40	7.94	3.46	8.36	3.51	8.56	3.54	9.18	3.62	9.60	3.67
	43.0	7.28	3.53	7.69	3.59	8.10	3.60	8.30	3.60	8.90	3.60	9.28	3.60
	46.0	6.96	3.03	7.31	3.03	7.66	3.03	7.83	3.03	8.32	3.03	8.65	3.03
2.5+3.5+3.5	22.0	8.19	2.54	8.56	2.59	8.94	2.64	9.13	2.66	9.69	2.74	10.06	2.79
	25.0	7.96	2.63	8.34	2.68	8.71	2.73	8.90	2.75	9.46	2.83	9.84	2.88
	32.0	7.43	2.86	7.80	2.91	8.18	2.96	8.37	2.99	8.93	3.06	9.30	3.11
	35.0	7.20	2.97	7.58	3.02	7.95	3.07	8.14	3.09	8.70	3.17	9.08	3.22
	40.0	6.82	3.16	7.20	3.21	7.57	3.26	7.76	3.28	8.32	3.36	8.70	3.41
	43.0	6.60	3.28	6.97	3.33	7.35	3.38	7.53	3.40	8.10	3.48	8.47	3.53
	46.0	6.35	3.03	6.69	3.03	7.02	3.03	7.18	3.03	7.66	3.03	7.97	3.03
2.5+3.5+5.0	22.0	8.80	2.61	9.20	2.66	9.61	2.72	9.81	2.74	10.41	2.82	10.82	2.87
	25.0	8.56	2.71	8.96	2.76	9.36	2.81	9.56	2.83	10.17	2.91	10.57	2.96
	32.0	7.99	2.95	8.39	3.00	8.79	3.05	8.99	3.07	9.60	3.15	10.00	3.20
	35.0	7.74	3.06	8.15	3.11	8.55	3.16	8.75	3.18	9.35	3.26	9.76	3.31
	40.0	7.33	3.25	7.74	3.30	8.14	3.35	8.34	3.38	8.95	3.45	9.35	3.51
	43.0	7.09	3.38	7.49	3.43	7.90	3.48	8.10	3.50	8.70	3.58	9.09	3.60
	46.0	6.78	3.03	7.13	3.03	7.48	3.03	7.65	3.03	8.14	3.03	8.47	3.03

3D052451-5A

SYMBOLS

TC : Total capacity (kW)
PI : Power input (kW)

NOTES

Capacities are based on following conditions
Corresponding refrigerant piping length: 7.5 m
Level difference: 0 m

The above is the value for connecting with the following indoor units.
2.0 kW class; FTXS20CAVMB 2.5 kW class; FTXS25CAVMB
3.5 kW class; FTXS35CAVMB 5.0 kW class; FTXS50EV1B
6.0 kW class; FTXS60EV1B 7.1 kW class; FTXS71EV1B

5 Capacity tables

5 - 2 Cooling capacity tables

5MKS90E													
Cooling [50Hz 230V]													
Combination (Capacity)	Outdoor air temp. °CDB	Indoor air temp.: °CWB											
		14°C		16°C		18°C		19°C		22°C		24°C	
		TC kW	PI kW	TC kW	PI kW	TC kW	PI kW	TC kW	PI kW	TC kW	PI kW	TC kW	PI kW
2.5+3.5+6.0	22.0	9.01	2.73	9.43	2.78	9.84	2.83	10.04	2.86	10.66	2.94	11.08	2.99
	25.0	8.76	2.83	9.18	2.88	9.59	2.93	9.79	2.96	10.41	3.04	10.83	3.09
	32.0	8.18	3.08	8.59	3.13	9.00	3.18	9.21	3.21	9.83	3.29	10.24	3.34
	35.0	7.93	3.19	8.34	3.24	8.75	3.30	8.96	3.32	9.58	3.40	9.99	3.46
	40.0	7.51	3.39	7.92	3.45	8.34	3.50	8.54	3.53	9.16	3.61	9.57	3.66
	43.0	7.26	3.52	7.67	3.58	8.08	3.60	8.29	3.60	8.88	3.60	9.27	3.60
	46.0	6.95	3.03	7.30	3.03	7.64	3.03	7.81	3.03	8.31	3.03	8.63	3.03
2.5+3.5+7.1	22.0	9.03	2.74	9.45	2.79	9.86	2.84	10.07	2.87	10.69	2.95	11.10	3.00
	25.0	8.78	2.83	9.20	2.89	9.61	2.94	9.82	2.97	10.44	3.05	10.85	3.10
	32.0	8.20	3.08	8.61	3.14	9.02	3.19	9.23	3.22	9.85	3.30	10.27	3.35
	35.0	7.95	3.20	8.36	3.25	8.77	3.31	8.98	3.33	9.60	3.41	10.01	3.47
	40.0	7.53	3.40	7.94	3.46	8.36	3.51	8.56	3.54	9.18	3.62	9.60	3.67
	43.0	7.28	3.53	7.69	3.59	8.10	3.60	8.30	3.60	8.90	3.60	9.28	3.60
	46.0	6.96	3.03	7.31	3.03	7.66	3.03	7.83	3.03	8.32	3.03	8.65	3.03
2.5+5.0+5.0	22.0	9.61	2.81	10.05	2.87	10.49	2.92	10.71	2.95	11.37	3.03	11.81	3.08
	25.0	9.34	2.91	9.78	2.97	10.22	3.02	10.44	3.05	11.10	3.13	11.54	3.19
	32.0	8.72	3.17	9.16	3.22	9.60	3.28	9.82	3.30	10.48	3.39	10.92	3.44
	35.0	8.45	3.29	8.89	3.34	9.33	3.40	9.55	3.42	10.21	3.51	10.65	3.56
	40.0	8.01	3.50	8.45	3.55	8.89	3.61	9.11	3.63	9.77	3.72	10.20	3.75
	43.0	7.74	3.60	8.17	3.60	8.60	3.60	8.81	3.60	9.42	3.60	9.82	3.60
	46.0	7.35	3.03	7.71	3.03	8.07	3.03	8.24	3.03	8.76	3.03	9.09	3.03
2.5+5.0+6.0	22.0	9.64	2.81	10.08	2.87	10.52	2.92	10.74	2.95	11.40	3.03	11.84	3.08
	25.0	9.37	2.91	9.81	2.97	10.25	3.02	10.47	3.05	11.13	3.13	11.58	3.19
	32.0	8.74	3.17	9.19	3.22	9.63	3.28	9.85	3.30	10.51	3.39	10.95	3.44
	35.0	8.48	3.29	8.92	3.34	9.36	3.40	9.58	3.42	10.24	3.51	10.68	3.56
	40.0	8.03	3.50	8.47	3.55	8.91	3.61	9.13	3.63	9.80	3.72	10.23	3.75
	43.0	7.76	3.60	8.20	3.60	8.62	3.60	8.83	3.60	9.45	3.60	9.85	3.60
	46.0	7.37	3.03	7.73	3.03	8.09	3.03	8.26	3.03	8.78	3.03	9.11	3.03
2.5+5.0+7.1	22.0	9.66	2.81	10.10	2.87	10.54	2.92	10.76	2.95	11.43	3.03	11.87	3.08
	25.0	9.39	2.91	9.83	2.97	10.27	3.02	10.49	3.05	11.16	3.13	11.60	3.19
	32.0	8.76	3.17	9.20	3.22	9.65	3.28	9.87	3.30	10.53	3.39	10.97	3.44
	35.0	8.49	3.29	8.94	3.34	9.38	3.40	9.60	3.42	10.26	3.51	10.71	3.56
	40.0	8.05	3.50	8.49	3.55	8.93	3.61	9.15	3.63	9.82	3.72	10.25	3.75
	43.0	7.78	3.60	8.21	3.60	8.64	3.60	8.85	3.60	9.47	3.60	9.87	3.60
	46.0	7.38	3.03	7.74	3.03	8.10	3.03	8.28	3.03	8.79	3.03	9.13	3.03
2.5+6.0+6.0	22.0	9.68	2.82	10.12	2.87	10.56	2.93	10.78	2.96	11.45	3.04	11.89	3.09
	25.0	9.41	2.92	9.85	2.97	10.29	3.03	10.52	3.06	11.18	3.14	11.62	3.19
	32.0	8.78	3.18	9.22	3.23	9.67	3.29	9.89	3.31	10.55	3.40	11.00	3.45
	35.0	8.51	3.30	8.96	3.35	9.40	3.41	9.62	3.43	10.28	3.52	10.73	3.57
	40.0	8.06	3.51	8.51	3.56	8.95	3.62	9.17	3.64	9.84	3.73	10.27	3.75
	43.0	7.80	3.60	8.23	3.60	8.66	3.60	8.87	3.60	9.48	3.60	9.88	3.60
	46.0	7.40	3.03	7.76	3.03	8.12	3.03	8.29	3.03	8.81	3.03	9.14	3.03

3D052451-5A

SYMBOLS

TC : Total capacity (kW)
PI : Power input (kW)

NOTES

Capacities are based on following conditions
Corresponding refrigerant piping length: 7.5 m
Level difference: 0 m

The above is the value for connecting with the following indoor units.
2.0 kW class; FTXS20CAVMB 2.5 kW class; FTXS25CAVMB
3.5 kW class; FTXS35CAVMB 5.0 kW class; FTXS50EV1B
6.0 kW class; FTXS60EV1B 7.1 kW class; FTXS71EV1B

5 Capacity tables

5 - 2 Cooling capacity tables

5

5MKS90E

Cooling [50Hz 230V]

Combination (Capacity)	Outdoor air temp. °CDB	Indoor air temp.: °CWB											
		14°C		16°C		18°C		19°C		22°C		24°C	
		TC kW	PI kW	TC kW	PI kW	TC kW	PI kW	TC kW	PI kW	TC kW	PI kW	TC kW	PI kW
3.5+5.0+6.0	22.0	9.64	2.81	10.08	2.87	10.52	2.92	10.74	2.95	11.40	3.03	11.84	3.08
	25.0	9.37	2.91	9.81	2.97	10.25	3.02	10.47	3.05	11.13	3.13	11.58	3.19
	32.0	8.74	3.17	9.19	3.22	9.63	3.28	9.85	3.30	10.51	3.39	10.95	3.44
	35.0	8.48	3.29	8.92	3.34	9.36	3.40	9.58	3.42	10.24	3.51	10.68	3.56
	40.0	8.03	3.50	8.47	3.55	8.91	3.61	9.13	3.63	9.80	3.72	10.23	3.75
	43.0	7.76	3.60	8.20	3.60	8.62	3.60	8.83	3.60	9.45	3.60	9.85	3.60
	46.0	7.37	3.03	7.73	3.03	8.09	3.03	8.26	3.03	8.78	3.03	9.11	3.03
3.5+5.0+7.1	22.0	10.10	3.25	10.56	3.32	11.02	3.38	11.26	3.41	11.95	3.51	12.41	3.57
	25.0	9.82	3.37	10.28	3.43	10.74	3.50	10.97	3.53	11.67	3.62	12.13	3.69
	32.0	9.16	3.67	9.63	3.73	10.09	3.79	10.32	3.83	11.01	3.92	11.48	3.98
	35.0	8.88	3.81	9.35	3.87	9.81	3.93	10.04	3.96	10.72	4.02	11.16	4.02
	40.0	8.42	3.75	8.88	3.75	9.34	3.75	9.56	3.75	10.19	3.75	10.60	3.75
	43.0	8.14	3.60	8.60	3.60	9.06	3.60	9.29	3.60	9.91	3.60	10.30	3.60
	46.0	7.86	3.03	8.23	3.03	8.58	3.03	8.75	3.03	9.25	3.03	9.58	3.03
3.5+6.0+6.0	22.0	10.11	3.25	10.57	3.32	11.04	3.38	11.27	3.41	11.96	3.51	12.42	3.57
	25.0	9.83	3.37	10.29	3.43	10.75	3.50	10.99	3.53	11.68	3.62	12.14	3.69
	32.0	9.17	3.67	9.64	3.73	10.10	3.79	10.33	3.83	11.03	3.92	11.49	3.98
	35.0	8.89	3.81	9.36	3.87	9.82	3.93	10.05	3.96	10.73	4.02	11.18	4.02
	40.0	8.42	3.75	8.89	3.75	9.35	3.75	9.57	3.75	10.20	3.75	10.61	3.75
	43.0	8.14	3.60	8.61	3.60	9.07	3.60	9.30	3.60	9.92	3.60	10.31	3.60
	46.0	7.86	3.03	8.24	3.03	8.58	3.03	8.75	3.03	9.26	3.03	9.59	3.03
5.0+5.0+5.0	22.0	10.51	3.15	10.99	3.21	11.47	3.27	11.72	3.30	12.44	3.39	12.92	3.45
	25.0	10.22	3.26	10.70	3.32	11.18	3.38	11.42	3.41	12.15	3.51	12.63	3.57
	32.0	9.54	3.55	10.02	3.61	10.50	3.67	10.74	3.70	11.46	3.79	11.95	3.85
	35.0	9.25	3.68	9.73	3.74	10.21	3.80	10.45	3.83	11.17	3.93	11.65	3.99
	40.0	8.76	3.75	9.22	3.75	9.68	3.75	9.90	3.75	10.56	3.75	10.98	3.75
	43.0	8.47	3.60	8.94	3.60	9.37	3.60	9.59	3.60	10.21	3.60	10.62	3.60
	46.0	8.03	3.03	8.40	3.03	8.76	3.03	8.94	3.03	9.46	3.03	9.80	3.03
2.0+2.0+2.0+2.0	22.0	8.01	2.04	8.37	2.08	8.74	2.12	8.92	2.14	9.47	2.20	9.84	2.24
	25.0	7.78	2.11	8.15	2.15	8.52	2.19	8.70	2.21	9.25	2.27	9.62	2.31
	32.0	7.27	2.30	7.63	2.34	8.00	2.38	8.18	2.40	8.73	2.46	9.10	2.50
	35.0	7.04	2.38	7.41	2.42	7.78	2.46	7.96	2.48	8.51	2.54	8.88	2.58
	40.0	6.67	2.54	7.04	2.58	7.41	2.62	7.59	2.63	8.14	2.69	8.51	2.73
	43.0	6.45	2.63	6.82	2.67	7.18	2.71	7.37	2.73	7.92	2.79	8.28	2.83
	46.0	6.23	2.73	6.59	2.77	6.96	2.81	7.14	2.83	7.69	2.89	8.06	2.93
2.0+2.0+2.0+2.5	22.0	8.30	2.19	8.68	2.23	9.06	2.27	9.25	2.29	9.82	2.36	10.20	2.40
	25.0	8.07	2.26	8.45	2.31	8.83	2.35	9.02	2.37	9.59	2.43	9.97	2.48
	32.0	7.53	2.46	7.91	2.51	8.29	2.55	8.48	2.57	9.05	2.63	9.43	2.68
	35.0	7.30	2.56	7.68	2.60	8.06	2.64	8.25	2.66	8.82	2.73	9.20	2.77
	40.0	6.92	2.72	7.30	2.76	7.68	2.80	7.87	2.83	8.44	2.89	8.82	2.93
	43.0	6.69	2.82	7.07	2.87	7.45	2.91	7.64	2.93	8.21	2.99	8.59	3.04
	46.0	6.45	2.93	6.83	2.97	7.21	3.02	7.40	3.03	7.92	3.03	8.26	3.03

3D052451-6A

SYMBOLS

TC : Total capacity (kW)
PI : Power input (kW)

NOTES

Capacities are based on following conditions
Corresponding refrigerant piping length: 7.5 m
Level difference: 0 m

The above is the value for connecting with the following indoor units.
2.0 kW class; FTXS20CAVMB 2.5 kW class; FTXS25CAVMB
3.5 kW class; FTXS35CAVMB 5.0 kW class; FTXS50EV1B
6.0 kW class; FTXS60EV1B 7.1 kW class; FTXS71EV1B

5 Capacity tables

5 - 2 Cooling capacity tables

5MKS90E

Cooling [50Hz 230V]

Combination (Capacity)	Outdoor air temp. °CDB	Indoor air temp.: °CWB											
		14°C		16°C		18°C		19°C		22°C		24°C	
		TC kW	PI kW	TC kW	PI kW	TC kW	PI kW	TC kW	PI kW	TC kW	PI kW	TC kW	PI kW
2.0+2.0+2.5+5.0	22.0	9.60	2.80	10.04	2.86	10.48	2.91	10.69	2.94	11.35	3.02	11.79	3.08
	25.0	9.33	2.90	9.77	2.96	10.21	3.01	10.43	3.04	11.09	3.12	11.53	3.18
	32.0	8.71	3.16	9.15	3.21	9.59	3.27	9.81	3.30	10.47	3.38	10.91	3.43
	35.0	8.44	3.28	8.88	3.33	9.32	3.39	9.54	3.41	10.20	3.50	10.64	3.55
	40.0	8.00	3.49	8.44	3.54	8.88	3.60	9.10	3.62	9.76	3.70	10.19	3.75
	43.0	7.73	3.60	8.16	3.60	8.59	3.60	8.80	3.60	9.41	3.60	9.81	3.60
	46.0	7.34	3.03	7.70	3.03	8.06	3.03	8.23	3.03	8.75	3.03	9.08	3.03
2.0+2.0+2.5+6.0	22.0	9.64	2.81	10.08	2.87	10.52	2.92	10.74	2.95	11.40	3.03	11.84	3.08
	25.0	9.37	2.91	9.81	2.97	10.25	3.02	10.47	3.05	11.13	3.13	11.58	3.19
	32.0	8.74	3.17	9.19	3.22	9.63	3.28	9.85	3.30	10.51	3.39	10.95	3.44
	35.0	8.48	3.29	8.92	3.34	9.36	3.40	9.58	3.42	10.24	3.51	10.68	3.56
	40.0	8.03	3.50	8.47	3.55	8.91	3.61	9.13	3.63	9.80	3.72	10.23	3.75
	43.0	7.76	3.60	8.20	3.60	8.62	3.60	8.83	3.60	9.45	3.60	9.85	3.60
	46.0	7.37	3.03	7.73	3.03	8.09	3.03	8.26	3.03	8.78	3.03	9.11	3.03
2.0+2.0+2.5+7.1	22.0	9.66	2.81	10.10	2.87	10.54	2.92	10.76	2.95	11.43	3.03	11.87	3.08
	25.0	9.39	2.91	9.83	2.97	10.27	3.02	10.49	3.05	11.16	3.13	11.60	3.19
	32.0	8.76	3.17	9.20	3.22	9.65	3.28	9.87	3.30	10.53	3.39	10.97	3.44
	35.0	8.49	3.29	8.94	3.34	9.38	3.40	9.60	3.42	10.26	3.51	10.71	3.56
	40.0	8.05	3.50	8.49	3.55	8.93	3.61	9.15	3.63	9.82	3.72	10.25	3.75
	43.0	7.78	3.60	8.21	3.60	8.64	3.60	8.85	3.60	9.47	3.60	9.87	3.60
	46.0	7.38	3.03	7.74	3.03	8.10	3.03	8.28	3.03	8.79	3.03	9.13	3.03
2.0+2.0+3.5+3.5	22.0	8.80	2.61	9.20	2.66	9.61	2.72	9.81	2.74	10.41	2.82	10.82	2.87
	25.0	8.56	2.71	8.96	2.76	9.36	2.81	9.56	2.83	10.17	2.91	10.57	2.96
	32.0	7.99	2.95	8.39	3.00	8.79	3.05	8.99	3.07	9.60	3.15	10.00	3.20
	35.0	7.74	3.06	8.15	3.11	8.55	3.16	8.75	3.18	9.35	3.26	9.76	3.31
	40.0	7.33	3.25	7.74	3.30	8.14	3.35	8.34	3.38	8.95	3.45	9.35	3.51
	43.0	7.09	3.38	7.49	3.43	7.90	3.48	8.10	3.50	8.70	3.58	9.09	3.60
	46.0	6.78	3.03	7.13	3.03	7.48	3.03	7.65	3.03	8.14	3.03	8.47	3.03
2.0+2.0+3.5+5.0	22.0	9.60	2.80	10.04	2.86	10.48	2.91	10.69	2.94	11.35	3.02	11.79	3.08
	25.0	9.33	2.90	9.77	2.96	10.21	3.01	10.43	3.04	11.09	3.12	11.53	3.18
	32.0	8.71	3.16	9.15	3.21	9.59	3.27	9.81	3.30	10.47	3.38	10.91	3.43
	35.0	8.44	3.28	8.88	3.33	9.32	3.39	9.54	3.41	10.20	3.50	10.64	3.55
	40.0	8.00	3.49	8.44	3.54	8.88	3.60	9.10	3.62	9.76	3.70	10.19	3.75
	43.0	7.73	3.60	8.16	3.60	8.59	3.60	8.80	3.60	9.41	3.60	9.81	3.60
	46.0	7.34	3.03	7.70	3.03	8.06	3.03	8.23	3.03	8.75	3.03	9.08	3.03
2.0+2.0+3.5+6.0	22.0	9.64	2.81	10.08	2.87	10.52	2.92	10.74	2.95	11.40	3.03	11.84	3.08
	25.0	9.37	2.91	9.81	2.97	10.25	3.02	10.47	3.05	11.13	3.13	11.58	3.19
	32.0	8.74	3.17	9.19	3.22	9.63	3.28	9.85	3.30	10.51	3.39	10.95	3.44
	35.0	8.48	3.29	8.92	3.34	9.36	3.40	9.58	3.42	10.24	3.51	10.68	3.56
	40.0	8.03	3.50	8.47	3.55	8.91	3.61	9.13	3.63	9.80	3.72	10.23	3.75
	43.0	7.76	3.60	8.20	3.60	8.62	3.60	8.83	3.60	9.45	3.60	9.85	3.60
	46.0	7.37	3.03	7.73	3.03	8.09	3.03	8.26	3.03	8.78	3.03	9.11	3.03

3D052451-7A

SYMBOLS

TC : Total capacity (kW)
PI : Power input (kW)

NOTES

Capacities are based on following conditions
Corresponding refrigerant piping length: 7.5 m
Level difference: 0 m

The above is the value for connecting with the following indoor units.
2.0 kW class; FTXS20CAVMB 2.5 kW class; FTXS25CAVMB
3.5 kW class; FTXS35CAVMB 5.0 kW class; FTXS50EV1B
6.0 kW class; FTXS60EV1B 7.1 kW class; FTXS71EV1B

5 Capacity tables

5 - 2 Cooling capacity tables

5

5MKS90E

Cooling [50Hz 230V]

Combination (Capacity)	Outdoor air temp. °CDB	Indoor air temp.: °CWB											
		14°C		16°C		18°C		19°C		22°C		24°C	
		TC kW	PI kW	TC kW	PI kW	TC kW	PI kW	TC kW	PI kW	TC kW	PI kW	TC kW	PI kW
2.0+2.0+3.5+7.1	22.0	9.66	2.81	10.10	2.87	10.54	2.92	10.76	2.95	11.43	3.03	11.87	3.08
	25.0	9.39	2.91	9.83	2.97	10.27	3.02	10.49	3.05	11.16	3.13	11.60	3.19
	32.0	8.76	3.17	9.20	3.22	9.65	3.28	9.87	3.30	10.53	3.39	10.97	3.44
	35.0	8.49	3.29	8.94	3.34	9.38	3.40	9.60	3.42	10.26	3.51	10.71	3.56
	40.0	8.05	3.50	8.49	3.55	8.93	3.61	9.15	3.63	9.82	3.72	10.25	3.75
	43.0	7.78	3.60	8.21	3.60	8.64	3.60	8.85	3.60	9.47	3.60	9.87	3.60
	46.0	7.38	3.03	7.74	3.03	8.10	3.03	8.28	3.03	8.79	3.03	9.13	3.03
2.0+2.0+5.0+5.0	22.0	10.23	2.88	10.70	2.94	11.17	3.00	11.40	3.03	12.10	3.11	12.57	3.17
	25.0	9.95	2.99	10.41	3.04	10.88	3.10	11.12	3.13	11.82	3.21	12.29	3.27
	32.0	9.28	3.25	9.75	3.31	10.22	3.36	10.45	3.39	11.16	3.48	11.63	3.53
	35.0	9.00	3.37	9.47	3.43	9.94	3.49	10.17	3.51	10.87	3.60	11.34	3.65
	40.0	8.53	3.59	8.99	3.65	9.46	3.70	9.70	3.73	10.37	3.75	10.80	3.75
	43.0	8.23	3.60	8.68	3.60	9.12	3.60	9.34	3.60	9.97	3.60	10.38	3.60
	46.0	7.76	3.03	8.13	3.03	8.50	3.03	8.68	3.03	9.21	3.03	9.56	3.03
2.0+2.0+5.0+6.0	22.0	10.51	3.16	10.99	3.22	11.47	3.28	11.72	3.31	12.44	3.40	12.92	3.46
	25.0	10.22	3.27	10.70	3.33	11.18	3.39	11.42	3.42	12.15	3.51	12.63	3.58
	32.0	9.54	3.56	10.02	3.62	10.50	3.68	10.74	3.71	11.46	3.80	11.95	3.86
	35.0	9.25	3.69	9.73	3.75	10.21	3.81	10.45	3.84	11.17	3.94	11.65	4.00
	40.0	8.76	3.75	9.23	3.75	9.68	3.75	9.90	3.75	10.56	3.75	10.98	3.75
	43.0	8.47	3.60	8.94	3.60	9.38	3.60	9.59	3.60	10.21	3.60	10.62	3.60
	46.0	8.04	3.03	8.40	3.03	8.77	3.03	8.94	3.03	9.47	3.03	9.81	3.03
2.0+2.5+2.5+2.5	22.0	8.83	2.51	9.24	2.56	9.64	2.60	9.84	2.63	10.45	2.70	10.85	2.75
	25.0	8.59	2.60	8.99	2.65	9.40	2.69	9.60	2.72	10.20	2.79	10.61	2.84
	32.0	8.01	2.83	8.42	2.87	8.82	2.92	9.03	2.95	9.63	3.02	10.04	3.07
	35.0	7.77	2.93	8.17	2.98	8.58	3.03	8.78	3.05	9.39	3.13	9.79	3.18
	40.0	7.36	3.12	7.76	3.17	8.17	3.22	8.37	3.24	8.98	3.31	9.38	3.36
	43.0	7.11	3.24	7.52	3.29	7.92	3.33	8.13	3.36	8.73	3.43	9.14	3.48
	46.0	6.79	3.03	7.15	3.03	7.51	3.03	7.68	3.03	8.19	3.03	8.52	3.03
2.0+2.5+2.5+3.5	22.0	8.80	2.61	9.20	2.66	9.61	2.72	9.81	2.74	10.41	2.82	10.82	2.87
	25.0	8.56	2.71	8.96	2.76	9.36	2.81	9.56	2.83	10.17	2.91	10.57	2.96
	32.0	7.99	2.95	8.39	3.00	8.79	3.05	8.99	3.07	9.60	3.15	10.00	3.20
	35.0	7.74	3.06	8.15	3.11	8.55	3.16	8.75	3.18	9.35	3.26	9.76	3.31
	40.0	7.33	3.25	7.74	3.30	8.14	3.35	8.34	3.38	8.95	3.45	9.35	3.51
	43.0	7.09	3.38	7.49	3.43	7.90	3.48	8.10	3.50	8.70	3.58	9.09	3.60
	46.0	6.78	3.03	7.13	3.03	7.48	3.03	7.65	3.03	8.14	3.03	8.47	3.03
2.0+2.5+2.5+5.0	22.0	9.60	2.80	10.04	2.86	10.48	2.91	10.69	2.94	11.35	3.02	11.79	3.08
	25.0	9.33	2.90	9.77	2.96	10.21	3.01	10.43	3.04	11.09	3.12	11.53	3.18
	32.0	8.71	3.16	9.15	3.21	9.59	3.27	9.81	3.30	10.47	3.38	10.91	3.43
	35.0	8.44	3.28	8.88	3.33	9.32	3.39	9.54	3.41	10.20	3.50	10.64	3.55
	40.0	8.00	3.49	8.44	3.54	8.88	3.60	9.10	3.62	9.76	3.70	10.19	3.75
	43.0	7.73	3.60	8.16	3.60	8.59	3.60	8.80	3.60	9.41	3.60	9.81	3.60
	46.0	7.34	3.03	7.70	3.03	8.06	3.03	8.23	3.03	8.75	3.03	9.08	3.03

3D052451-8A

SYMBOLS

TC : Total capacity (kW)
PI : Power input (kW)

NOTES

Capacities are based on following conditions
Corresponding refrigerant piping length: 7.5 m
Level difference: 0 m

The above is the value for connecting with the following indoor units.
2.0 kW class; FTXS20CAVMB 2.5 kW class; FTXS25CAVMB
3.5 kW class; FTXS35CAVMB 5.0 kW class; FTXS50EV1B
6.0 kW class; FTXS60EV1B 7.1 kW class; FTXS71EV1B

5 Capacity tables

5 - 2 Cooling capacity tables

5MKS90E

Cooling [50Hz 230V]

Combination (Capacity)	Outdoor air temp. °CDB	Indoor air temp.: °CWB											
		14°C		16°C		18°C		19°C		22°C		24°C	
		TC kW	PI kW	TC kW	PI kW	TC kW	PI kW	TC kW	PI kW	TC kW	PI kW	TC kW	PI kW
2.0+2.5+2.5+6.0	22.0	9.64	2.81	10.08	2.87	10.52	2.92	10.74	2.95	11.40	3.03	11.84	3.08
	25.0	9.37	2.91	9.81	2.97	10.25	3.02	10.47	3.05	11.13	3.13	11.58	3.19
	32.0	8.74	3.17	9.19	3.22	9.63	3.28	9.85	3.30	10.51	3.39	10.95	3.44
	35.0	8.48	3.29	8.92	3.34	9.36	3.40	9.58	3.42	10.24	3.51	10.68	3.56
	40.0	8.03	3.50	8.47	3.55	8.91	3.61	9.13	3.63	9.80	3.72	10.23	3.75
	43.0	7.76	3.60	8.20	3.60	8.62	3.60	8.83	3.60	9.45	3.60	9.85	3.60
	46.0	7.37	3.03	7.73	3.03	8.09	3.03	8.26	3.03	8.78	3.03	9.11	3.03
2.0+2.5+2.5+7.1	22.0	9.66	2.81	10.10	2.87	10.54	2.92	10.76	2.95	11.43	3.03	11.87	3.08
	25.0	9.39	2.91	9.83	2.97	10.27	3.02	10.49	3.05	11.16	3.13	11.60	3.19
	32.0	8.76	3.17	9.20	3.22	9.65	3.28	9.87	3.30	10.53	3.39	10.97	3.44
	35.0	8.49	3.29	8.94	3.34	9.38	3.40	9.60	3.42	10.26	3.51	10.71	3.56
	40.0	8.05	3.50	8.49	3.55	8.93	3.61	9.15	3.63	9.82	3.72	10.25	3.75
	43.0	7.78	3.60	8.21	3.60	8.64	3.60	8.85	3.60	9.47	3.60	9.87	3.60
	46.0	7.38	3.03	7.74	3.03	8.10	3.03	8.28	3.03	8.79	3.03	9.13	3.03
2.0+2.5+3.5+3.5	22.0	8.97	2.73	9.38	2.78	9.79	2.83	10.00	2.86	10.62	2.94	11.03	2.99
	25.0	8.72	2.83	9.13	2.88	9.55	2.93	9.75	2.96	10.37	3.04	10.78	3.09
	32.0	8.14	3.08	8.55	3.13	8.96	3.18	9.17	3.21	9.79	3.29	10.20	3.34
	35.0	7.89	3.19	8.30	3.24	8.71	3.30	8.92	3.32	9.54	3.40	9.95	3.46
	40.0	7.48	3.39	7.89	3.45	8.30	3.50	8.50	3.53	9.12	3.61	9.53	3.66
	43.0	7.23	3.52	7.64	3.58	8.05	3.60	8.25	3.60	8.84	3.60	9.23	3.60
	46.0	6.92	3.03	7.27	3.03	7.61	3.03	7.78	3.03	8.28	3.03	8.60	3.03
2.0+2.5+3.5+5.0	22.0	9.60	2.80	10.04	2.86	10.48	2.91	10.69	2.94	11.35	3.02	11.79	3.08
	25.0	9.33	2.90	9.77	2.96	10.21	3.01	10.43	3.04	11.09	3.12	11.53	3.18
	32.0	8.71	3.16	9.15	3.21	9.59	3.27	9.81	3.30	10.47	3.38	10.91	3.43
	35.0	8.44	3.28	8.88	3.33	9.32	3.39	9.54	3.41	10.20	3.50	10.64	3.55
	40.0	8.00	3.49	8.44	3.54	8.88	3.60	9.10	3.62	9.76	3.70	10.19	3.75
	43.0	7.73	3.60	8.16	3.60	8.59	3.60	8.80	3.60	9.41	3.60	9.81	3.60
	46.0	7.34	3.03	7.70	3.03	8.06	3.03	8.23	3.03	8.75	3.03	9.08	3.03
2.0+2.5+3.5+6.0	22.0	9.64	2.81	10.08	2.87	10.52	2.92	10.74	2.95	11.40	3.03	11.84	3.08
	25.0	9.37	2.91	9.81	2.97	10.25	3.02	10.47	3.05	11.13	3.13	11.58	3.19
	32.0	8.74	3.17	9.19	3.22	9.63	3.28	9.85	3.30	10.51	3.39	10.95	3.44
	35.0	8.48	3.29	8.92	3.34	9.36	3.40	9.58	3.42	10.24	3.51	10.68	3.56
	40.0	8.03	3.50	8.47	3.55	8.91	3.61	9.13	3.63	9.80	3.72	10.23	3.75
	43.0	7.76	3.60	8.20	3.60	8.62	3.60	8.83	3.60	9.45	3.60	9.85	3.60
	46.0	7.37	3.03	7.73	3.03	8.09	3.03	8.26	3.03	8.78	3.03	9.11	3.03
2.0+2.5+3.5+7.1	22.0	10.09	3.25	10.55	3.32	11.01	3.38	11.24	3.41	11.94	3.51	12.40	3.57
	25.0	9.81	3.37	10.27	3.43	10.73	3.50	10.96	3.53	11.66	3.62	12.12	3.69
	32.0	9.15	3.67	9.62	3.73	10.08	3.79	10.31	3.83	11.00	3.92	11.47	3.98
	35.0	8.87	3.81	9.34	3.87	9.80	3.93	10.03	3.96	10.71	4.02	11.15	4.02
	40.0	8.41	3.75	8.87	3.75	9.33	3.75	9.55	3.75	10.18	3.75	10.59	3.75
	43.0	8.13	3.60	8.59	3.60	9.05	3.60	9.28	3.60	9.90	3.60	10.29	3.60
	46.0	7.85	3.03	8.22	3.03	8.57	3.03	8.74	3.03	9.25	3.03	9.57	3.03

3D052451-8A

SYMBOLS

TC : Total capacity (kW)
PI : Power input (kW)

NOTES

Capacities are based on following conditions
Corresponding refrigerant piping length: 7.5 m
Level difference: 0 m

The above is the value for connecting with the following indoor units.
2.0 kW class; FTXS20CAVMB 2.5 kW class; FTXS25CAVMB
3.5 kW class; FTXS35CAVMB 5.0 kW class; FTXS50EV1B
6.0 kW class; FTXS60EV1B 7.1 kW class; FTXS71EV1B

5 Capacity tables

5 - 2 Cooling capacity tables

5

5MKS90E

Cooling [50Hz 230V]

Combination (Capacity)	Outdoor air temp. °CDB	Indoor air temp.: °CWB											
		14°C		16°C		18°C		19°C		22°C		24°C	
		TC kW	PI kW	TC kW	PI kW	TC kW	PI kW	TC kW	PI kW	TC kW	PI kW	TC kW	PI kW
2.0+2.5+5.0+5.0	22.0	10.23	2.88	10.70	2.94	11.17	3.00	11.40	3.03	12.10	3.11	12.57	3.17
	25.0	9.95	2.99	10.41	3.04	10.88	3.10	11.12	3.13	11.82	3.21	12.29	3.27
	32.0	9.28	3.25	9.75	3.31	10.22	3.36	10.45	3.39	11.16	3.48	11.63	3.53
	35.0	9.00	3.37	9.47	3.43	9.94	3.49	10.17	3.51	10.87	3.60	11.34	3.65
	40.0	8.53	3.59	8.99	3.65	9.46	3.70	9.70	3.73	10.37	3.75	10.80	3.75
	43.0	8.23	3.60	8.68	3.60	9.12	3.60	9.34	3.60	9.97	3.60	10.38	3.60
	46.0	7.76	3.03	8.13	3.03	8.50	3.03	8.68	3.03	9.21	3.03	9.56	3.03
2.0+2.5+5.0+6.0	22.0	10.55	3.16	11.04	3.22	11.52	3.28	11.76	3.31	12.48	3.40	12.97	3.46
	25.0	10.26	3.27	10.74	3.33	11.23	3.39	11.47	3.42	12.19	3.51	12.68	3.58
	32.0	9.57	3.56	10.06	3.62	10.54	3.68	10.78	3.71	11.51	3.80	11.99	3.86
	35.0	9.28	3.69	9.77	3.75	10.25	3.81	10.49	3.84	11.21	3.94	11.70	4.00
	40.0	8.79	3.75	9.26	3.75	9.71	3.75	9.94	3.75	10.59	3.75	11.02	3.75
	43.0	8.50	3.60	8.97	3.60	9.41	3.60	9.62	3.60	10.24	3.60	10.65	3.60
	46.0	8.06	3.03	8.43	3.03	8.79	3.03	8.97	3.03	9.49	3.03	9.83	3.03
2.0+3.5+3.5+3.5	22.0	8.97	2.73	9.38	2.78	9.79	2.83	10.00	2.86	10.62	2.94	11.03	2.99
	25.0	8.72	2.83	9.13	2.88	9.55	2.93	9.75	2.96	10.37	3.04	10.78	3.09
	32.0	8.14	3.08	8.55	3.13	8.96	3.18	9.17	3.21	9.79	3.29	10.20	3.34
	35.0	7.89	3.19	8.30	3.24	8.71	3.30	8.92	3.32	9.54	3.40	9.95	3.46
	40.0	7.48	3.39	7.89	3.45	8.30	3.50	8.50	3.53	9.12	3.61	9.53	3.66
	43.0	7.23	3.52	7.64	3.58	8.05	3.60	8.25	3.60	8.84	3.60	9.23	3.60
	46.0	6.92	3.03	7.27	3.03	7.61	3.03	7.78	3.03	8.28	3.03	8.60	3.03
2.0+3.5+3.5+5.0	22.0	9.60	2.80	10.04	2.86	10.48	2.91	10.69	2.94	11.35	3.02	11.79	3.08
	25.0	9.33	2.90	9.77	2.96	10.21	3.01	10.43	3.04	11.09	3.12	11.53	3.18
	32.0	8.71	3.16	9.15	3.21	9.59	3.27	9.81	3.30	10.47	3.38	10.91	3.43
	35.0	8.44	3.28	8.88	3.33	9.32	3.39	9.54	3.41	10.20	3.50	10.64	3.55
	40.0	8.00	3.49	8.44	3.54	8.88	3.60	9.10	3.62	9.76	3.70	10.19	3.75
	43.0	7.73	3.60	8.16	3.60	8.59	3.60	8.80	3.60	9.41	3.60	9.81	3.60
	46.0	7.34	3.03	7.70	3.03	8.06	3.03	8.23	3.03	8.75	3.03	9.08	3.03
2.0+3.5+3.5+6.0	22.0	10.07	3.25	10.53	3.31	10.99	3.37	11.22	3.40	11.91	3.50	12.37	3.56
	25.0	9.79	3.36	10.25	3.43	10.71	3.49	10.94	3.52	11.63	3.62	12.10	3.68
	32.0	9.14	3.66	9.60	3.72	10.06	3.79	10.29	3.82	10.98	3.91	11.44	3.97
	35.0	8.86	3.80	9.32	3.86	9.78	3.92	10.01	3.95	10.69	4.02	11.13	4.02
	40.0	8.39	3.75	8.85	3.75	9.31	3.75	9.53	3.75	10.16	3.75	10.57	3.75
	43.0	8.11	3.60	8.57	3.60	9.03	3.60	9.26	3.60	9.88	3.60	10.27	3.60
	46.0	7.83	3.03	8.21	3.03	8.55	3.03	8.73	3.03	9.23	3.03	9.56	3.03
2.0+3.5+5.0+5.0	22.0	10.55	3.21	11.04	3.28	11.52	3.34	11.76	3.37	12.48	3.46	12.97	3.53
	25.0	10.26	3.33	10.74	3.39	11.23	3.45	11.47	3.49	12.19	3.58	12.68	3.64
	32.0	9.57	3.62	10.06	3.68	10.54	3.75	10.78	3.78	11.51	3.87	11.99	3.93
	35.0	9.28	3.76	9.77	3.82	10.25	3.88	10.49	3.91	11.21	4.01	11.67	4.02
	40.0	8.79	3.75	9.27	3.75	9.72	3.75	9.94	3.75	10.59	3.75	11.01	3.75
	43.0	8.50	3.60	8.98	3.60	9.43	3.60	9.64	3.60	10.26	3.60	10.66	3.60
	46.0	8.09	3.03	8.46	3.03	8.82	3.03	9.00	3.03	9.52	3.03	9.86	3.03

3D052451-9A

SYMBOLS

TC : Total capacity (kW)
PI : Power input (kW)

NOTES

Capacities are based on following conditions
Corresponding refrigerant piping length: 7.5 m
Level difference: 0 m

The above is the value for connecting with the following indoor units.
2.0 kW class; FTXS20CAVMB 2.5 kW class; FTXS25CAVMB
3.5 kW class; FTXS35CAVMB 5.0 kW class; FTXS50EV1B
6.0 kW class; FTXS60EV1B 7.1 kW class; FTXS71EV1B

5 Capacity tables

5 - 2 Cooling capacity tables

5MKS90E													
Cooling [50Hz 230V]													
Combination (Capacity)	Outdoor air temp. °CDB	Indoor air temp.: °CWB											
		14°C		16°C		18°C		19°C		22°C		24°C	
		TC kW	PI kW	TC kW	PI kW	TC kW	PI kW	TC kW	PI kW	TC kW	PI kW	TC kW	PI kW
2.5+2.5+2.5+2.5	22.0	8.80	2.61	9.20	2.66	9.61	2.72	9.81	2.74	10.41	2.82	10.82	2.87
	25.0	8.56	2.71	8.96	2.76	9.36	2.81	9.56	2.83	10.17	2.91	10.57	2.96
	32.0	7.99	2.95	8.39	3.00	8.79	3.05	8.99	3.07	9.60	3.15	10.00	3.20
	35.0	7.74	3.06	8.15	3.11	8.55	3.16	8.75	3.18	9.35	3.26	9.76	3.31
	40.0	7.33	3.25	7.74	3.30	8.14	3.35	8.34	3.38	8.95	3.45	9.35	3.51
	43.0	7.09	3.38	7.49	3.43	7.90	3.48	8.10	3.50	8.70	3.58	9.09	3.60
	46.0	6.78	3.03	7.13	3.03	7.48	3.03	7.65	3.03	8.14	3.03	8.47	3.03
2.5+2.5+2.5+3.5	22.0	8.80	2.61	9.20	2.66	9.61	2.72	9.81	2.74	10.41	2.82	10.82	2.87
	25.0	8.56	2.71	8.96	2.76	9.36	2.81	9.56	2.83	10.17	2.91	10.57	2.96
	32.0	7.99	2.95	8.39	3.00	8.79	3.05	8.99	3.07	9.60	3.15	10.00	3.20
	35.0	7.74	3.06	8.15	3.11	8.55	3.16	8.75	3.18	9.35	3.26	9.76	3.31
	40.0	7.33	3.25	7.74	3.30	8.14	3.35	8.34	3.38	8.95	3.45	9.35	3.51
	43.0	7.09	3.38	7.49	3.43	7.90	3.48	8.10	3.50	8.70	3.58	9.09	3.60
	46.0	6.78	3.03	7.13	3.03	7.48	3.03	7.65	3.03	8.14	3.03	8.47	3.03
2.5+2.5+2.5+5.0	22.0	9.60	2.80	10.04	2.86	10.48	2.91	10.69	2.94	11.35	3.02	11.79	3.08
	25.0	9.33	2.90	9.77	2.96	10.21	3.01	10.43	3.04	11.09	3.12	11.53	3.18
	32.0	8.71	3.16	9.15	3.21	9.59	3.27	9.81	3.30	10.47	3.38	10.91	3.43
	35.0	8.44	3.28	8.88	3.33	9.32	3.39	9.54	3.41	10.20	3.50	10.64	3.55
	40.0	8.00	3.49	8.44	3.54	8.88	3.60	9.10	3.62	9.76	3.70	10.19	3.75
	43.0	7.73	3.60	8.16	3.60	8.59	3.60	8.80	3.60	9.41	3.60	9.81	3.60
	46.0	7.34	3.03	7.70	3.03	8.06	3.03	8.23	3.03	8.75	3.03	9.08	3.03
2.5+2.5+2.5+6.0	22.0	9.64	2.81	10.08	2.87	10.52	2.92	10.74	2.95	11.40	3.03	11.84	3.08
	25.0	9.37	2.91	9.81	2.97	10.25	3.02	10.47	3.05	11.13	3.13	11.58	3.19
	32.0	8.74	3.17	9.19	3.22	9.63	3.28	9.85	3.30	10.51	3.39	10.95	3.44
	35.0	8.48	3.29	8.92	3.34	9.36	3.40	9.58	3.42	10.24	3.51	10.68	3.56
	40.0	8.03	3.50	8.47	3.55	8.91	3.61	9.13	3.63	9.80	3.72	10.23	3.75
	43.0	7.76	3.60	8.20	3.60	8.62	3.60	8.83	3.60	9.45	3.60	9.85	3.60
	46.0	7.37	3.03	7.73	3.03	8.09	3.03	8.26	3.03	8.78	3.03	9.11	3.03
2.5+2.5+2.5+7.1	22.0	9.66	2.81	10.10	2.87	10.54	2.92	10.76	2.95	11.43	3.03	11.87	3.08
	25.0	9.39	2.91	9.83	2.97	10.27	3.02	10.49	3.05	11.16	3.13	11.60	3.19
	32.0	8.76	3.17	9.20	3.22	9.65	3.28	9.87	3.30	10.53	3.39	10.97	3.44
	35.0	8.49	3.29	8.94	3.34	9.38	3.40	9.60	3.42	10.26	3.51	10.71	3.56
	40.0	8.05	3.50	8.49	3.55	8.93	3.61	9.15	3.63	9.82	3.72	10.25	3.75
	43.0	7.78	3.60	8.21	3.60	8.64	3.60	8.85	3.60	9.47	3.60	9.87	3.60
	46.0	7.38	3.03	7.74	3.03	8.10	3.03	8.28	3.03	8.79	3.03	9.13	3.03
2.5+2.5+3.5+3.5	22.0	8.97	2.73	9.38	2.78	9.79	2.83	10.00	2.86	10.62	2.94	11.03	2.99
	25.0	8.72	2.83	9.13	2.88	9.55	2.93	9.75	2.96	10.37	3.04	10.78	3.09
	32.0	8.14	3.08	8.55	3.13	8.96	3.18	9.17	3.21	9.79	3.29	10.20	3.34
	35.0	7.89	3.19	8.30	3.24	8.71	3.30	8.92	3.32	9.54	3.40	9.95	3.46
	40.0	7.48	3.39	7.89	3.45	8.30	3.50	8.50	3.53	9.12	3.61	9.53	3.66
	43.0	7.23	3.52	7.64	3.58	8.05	3.60	8.25	3.60	8.84	3.60	9.23	3.60
	46.0	6.92	3.03	7.27	3.03	7.61	3.03	7.78	3.03	8.28	3.03	8.60	3.03

3D052451-9A

SYMBOLS

TC : Total capacity (kW)
PI : Power input (kW)

NOTES

Capacities are based on following conditions
Corresponding refrigerant piping length: 7.5 m
Level difference: 0 m

The above is the value for connecting with the following indoor units.
2.0 kW class; FTXS20CAVMB 2.5 kW class; FTXS25CAVMB
3.5 kW class; FTXS35CAVMB 5.0 kW class; FTXS50EV1B
6.0 kW class; FTXS60EV1B 7.1 kW class; FTXS71EV1B

5 Capacity tables

5 - 2 Cooling capacity tables

5

5MKS90E

Cooling [50Hz 230V]

Combination (Capacity)	Outdoor air temp. °CDB	Indoor air temp.: °CWB											
		14°C		16°C		18°C		19°C		22°C		24°C	
		TC kW	PI kW	TC kW	PI kW	TC kW	PI kW	TC kW	PI kW	TC kW	PI kW	TC kW	PI kW
2.5+2.5+3.5+5.0	22.0	9.60	2.80	10.04	2.86	10.48	2.91	10.69	2.94	11.35	3.02	11.79	3.08
	25.0	9.33	2.90	9.77	2.96	10.21	3.01	10.43	3.04	11.09	3.12	11.53	3.18
	32.0	8.71	3.16	9.15	3.21	9.59	3.27	9.81	3.30	10.47	3.38	10.91	3.43
	35.0	8.44	3.28	8.88	3.33	9.32	3.39	9.54	3.41	10.20	3.50	10.64	3.55
	40.0	8.00	3.49	8.44	3.54	8.88	3.60	9.10	3.62	9.76	3.70	10.19	3.75
	43.0	7.73	3.60	8.16	3.60	8.59	3.60	8.80	3.60	9.41	3.60	9.81	3.60
	46.0	7.34	3.03	7.70	3.03	8.06	3.03	8.23	3.03	8.75	3.03	9.08	3.03
2.5+2.5+3.5+6.0	22.0	9.64	2.81	10.08	2.87	10.52	2.92	10.74	2.95	11.40	3.03	11.84	3.08
	25.0	9.37	2.91	9.81	2.97	10.25	3.02	10.47	3.05	11.13	3.13	11.58	3.19
	32.0	8.74	3.17	9.19	3.22	9.63	3.28	9.85	3.30	10.51	3.39	10.95	3.44
	35.0	8.48	3.29	8.92	3.34	9.36	3.40	9.58	3.42	10.24	3.51	10.68	3.56
	40.0	8.03	3.50	8.47	3.55	8.91	3.61	9.13	3.63	9.80	3.72	10.23	3.75
	43.0	7.76	3.60	8.20	3.60	8.62	3.60	8.83	3.60	9.45	3.60	9.85	3.60
	46.0	7.37	3.03	7.73	3.03	8.09	3.03	8.26	3.03	8.78	3.03	9.11	3.03
2.5+2.5+3.5+7.1	22.0	10.09	3.25	10.55	3.32	11.01	3.38	11.24	3.41	11.94	3.51	12.40	3.57
	25.0	9.81	3.37	10.27	3.43	10.73	3.50	10.96	3.53	11.66	3.62	12.12	3.69
	32.0	9.15	3.67	9.62	3.73	10.08	3.79	10.31	3.83	11.00	3.92	11.47	3.98
	35.0	8.87	3.81	9.34	3.87	9.80	3.93	10.03	3.96	10.71	4.02	11.15	4.02
	40.0	8.41	3.75	8.87	3.75	9.33	3.75	9.55	3.75	10.18	3.75	10.59	3.75
	43.0	8.13	3.60	8.59	3.60	9.05	3.60	9.28	3.60	9.90	3.60	10.29	3.60
	46.0	7.85	3.03	8.22	3.03	8.57	3.03	8.74	3.03	9.25	3.03	9.57	3.03
2.5+2.5+5.0+5.0	22.0	10.51	3.15	10.99	3.21	11.47	3.27	11.72	3.30	12.44	3.39	12.92	3.45
	25.0	10.22	3.26	10.70	3.32	11.18	3.38	11.42	3.41	12.15	3.51	12.63	3.57
	32.0	9.54	3.55	10.02	3.61	10.50	3.67	10.74	3.70	11.46	3.79	11.95	3.85
	35.0	9.25	3.68	9.73	3.74	10.21	3.80	10.45	3.83	11.17	3.93	11.65	3.99
	40.0	8.76	3.75	9.22	3.75	9.68	3.75	9.90	3.75	10.56	3.75	10.98	3.75
	43.0	8.47	3.60	8.94	3.60	9.37	3.60	9.59	3.60	10.21	3.60	10.62	3.60
	46.0	8.03	3.03	8.40	3.03	8.76	3.03	8.94	3.03	9.46	3.03	9.80	3.03
2.5+3.5+3.5+3.5	22.0	8.99	2.73	9.40	2.78	9.82	2.83	10.02	2.86	10.64	2.94	11.05	2.99
	25.0	8.74	2.83	9.15	2.88	9.57	2.93	9.77	2.96	10.39	3.04	10.80	3.09
	32.0	8.16	3.08	8.57	3.13	8.98	3.18	9.19	3.21	9.81	3.29	10.22	3.34
	35.0	7.91	3.19	8.32	3.24	8.73	3.30	8.94	3.32	9.56	3.40	9.97	3.46
	40.0	7.49	3.39	7.91	3.45	8.32	3.50	8.52	3.53	9.14	3.61	9.55	3.66
	43.0	7.24	3.52	7.66	3.58	8.07	3.60	8.27	3.60	8.86	3.60	9.25	3.60
	46.0	6.93	3.03	7.28	3.03	7.63	3.03	7.80	3.03	8.29	3.03	8.62	3.03
2.5+3.5+3.5+5.0	22.0	9.60	2.80	10.04	2.86	10.48	2.91	10.69	2.94	11.35	3.02	11.79	3.08
	25.0	9.33	2.90	9.77	2.96	10.21	3.01	10.43	3.04	11.09	3.12	11.53	3.18
	32.0	8.71	3.16	9.15	3.21	9.59	3.27	9.81	3.30	10.47	3.38	10.91	3.43
	35.0	8.44	3.28	8.88	3.33	9.32	3.39	9.54	3.41	10.20	3.50	10.64	3.55
	40.0	8.00	3.49	8.44	3.54	8.88	3.60	9.10	3.62	9.76	3.70	10.19	3.75
	43.0	7.73	3.60	8.16	3.60	8.59	3.60	8.80	3.60	9.41	3.60	9.81	3.60
	46.0	7.34	3.03	7.70	3.03	8.06	3.03	8.23	3.03	8.75	3.03	9.08	3.03

3D052452-1A

SYMBOLS

TC : Total capacity (kW)
PI : Power input (kW)

NOTES

Capacities are based on following conditions
Corresponding refrigerant piping length: 7.5 m
Level difference: 0 m

The above is the value for connecting with the following indoor units.
2.0 kW class; FTXS20CAVMB 2.5 kW class; FTXS25CAVMB
3.5 kW class; FTXS35CAVMB 5.0 kW class; FTXS50EV1B
6.0 kW class; FTXS60EV1B 7.1 kW class; FTXS71EV1B

5 Capacity tables

5 - 2 Cooling capacity tables

5MKS90E													
Cooling [50Hz 230V]													
Combination (Capacity)	Outdoor air temp. °CDB	Indoor air temp.: °CWB											
		14°C		16°C		18°C		19°C		22°C		24°C	
		TC kW	PI kW	TC kW	PI kW	TC kW	PI kW	TC kW	PI kW	TC kW	PI kW	TC kW	PI kW
2.5+3.5+3.5+6.0	22.0	10.07	3.25	10.53	3.31	10.99	3.37	11.22	3.40	11.91	3.50	12.37	3.56
	25.0	9.79	3.36	10.25	3.43	10.71	3.49	10.94	3.52	11.63	3.62	12.10	3.68
	32.0	9.14	3.66	9.60	3.72	10.06	3.79	10.29	3.82	10.98	3.91	11.44	3.97
	35.0	8.86	3.80	9.32	3.86	9.78	3.92	10.01	3.95	10.69	4.02	11.13	4.02
	40.0	8.39	3.75	8.85	3.75	9.31	3.75	9.53	3.75	10.16	3.75	10.57	3.75
	43.0	8.11	3.60	8.57	3.60	9.03	3.60	9.26	3.60	9.88	3.60	10.27	3.60
	46.0	7.83	3.03	8.21	3.03	8.55	3.03	8.73	3.03	9.23	3.03	9.56	3.03
3.5+3.5+3.5+3.5	22.0	8.97	2.73	9.38	2.78	9.79	2.83	10.00	2.86	10.62	2.94	11.03	2.99
	25.0	8.72	2.83	9.13	2.88	9.55	2.93	9.75	2.96	10.37	3.04	10.78	3.09
	32.0	8.14	3.08	8.55	3.13	8.96	3.18	9.17	3.21	9.79	3.29	10.20	3.34
	35.0	7.89	3.19	8.30	3.24	8.71	3.30	8.92	3.32	9.54	3.40	9.95	3.46
	40.0	7.48	3.39	7.89	3.45	8.30	3.50	8.50	3.53	9.12	3.61	9.53	3.66
	43.0	7.23	3.52	7.64	3.58	8.05	3.60	8.25	3.60	8.84	3.60	9.23	3.60
	46.0	6.92	3.03	7.27	3.03	7.61	3.03	7.78	3.03	8.28	3.03	8.60	3.03
3.5+3.5+3.5+5.0	22.0	10.04	3.25	10.50	3.31	10.96	3.37	11.19	3.40	11.88	3.50	12.34	3.56
	25.0	9.76	3.36	10.22	3.43	10.68	3.49	10.91	3.52	11.60	3.62	12.06	3.68
	32.0	9.11	3.66	9.57	3.72	10.03	3.79	10.26	3.82	10.95	3.91	11.41	3.97
	35.0	8.83	3.80	9.29	3.86	9.75	3.92	9.98	3.95	10.66	4.02	11.10	4.02
	40.0	8.37	3.75	8.83	3.75	9.29	3.75	9.51	3.75	10.14	3.75	10.54	3.75
	43.0	8.09	3.60	8.55	3.60	9.01	3.60	9.24	3.60	9.86	3.60	10.25	3.60
	46.0	7.81	3.03	8.19	3.03	8.54	3.03	8.71	3.03	9.21	3.03	9.54	3.03
2.0+2.0+2.0+2.0+2.0	22.0	9.08	2.51	9.50	2.56	9.92	2.60	10.12	2.63	10.75	2.70	11.16	2.75
	25.0	8.83	2.60	9.25	2.65	9.66	2.69	9.87	2.72	10.49	2.79	10.91	2.84
	32.0	8.24	2.83	8.66	2.87	9.07	2.92	9.28	2.95	9.91	3.02	10.32	3.07
	35.0	7.99	2.93	8.41	2.98	8.82	3.03	9.03	3.05	9.65	3.13	10.07	3.18
	40.0	7.57	3.12	7.99	3.17	8.40	3.22	8.61	3.24	9.23	3.31	9.65	3.36
	43.0	7.32	3.24	7.73	3.29	8.15	3.33	8.36	3.36	8.98	3.43	9.40	3.48
	46.0	6.97	3.03	7.34	3.03	7.70	3.03	7.87	3.03	8.39	3.03	8.73	3.03
2.0+2.0+2.0+2.0+2.5	22.0	9.30	2.63	9.73	2.68	10.16	2.73	10.37	2.76	11.01	2.83	11.44	2.89
	25.0	9.05	2.72	9.47	2.78	9.90	2.83	10.11	2.85	10.75	2.93	11.18	2.98
	32.0	8.44	2.96	8.87	3.02	9.30	3.07	9.51	3.09	10.15	3.17	10.57	3.22
	35.0	8.18	3.08	8.61	3.13	9.04	3.18	9.25	3.20	9.89	3.28	10.32	3.33
	40.0	7.75	3.27	8.18	3.32	8.61	3.37	8.82	3.40	9.46	3.48	9.88	3.53
	43.0	7.50	3.40	7.92	3.45	8.35	3.50	8.56	3.52	9.20	3.60	9.60	3.60
	46.0	7.12	3.03	7.49	3.03	7.84	3.03	8.02	3.03	8.54	3.03	8.87	3.03
2.0+2.0+2.0+2.0+3.5	22.0	9.60	2.80	10.04	2.86	10.48	2.91	10.69	2.94	11.35	3.02	11.79	3.08
	25.0	9.33	2.90	9.77	2.96	10.21	3.01	10.43	3.04	11.09	3.12	11.53	3.18
	32.0	8.71	3.16	9.15	3.21	9.59	3.27	9.81	3.30	10.47	3.38	10.91	3.43
	35.0	8.44	3.28	8.88	3.33	9.32	3.39	9.54	3.41	10.20	3.50	10.64	3.55
	40.0	8.00	3.49	8.44	3.54	8.88	3.60	9.10	3.62	9.76	3.70	10.19	3.75
	43.0	7.73	3.60	8.16	3.60	8.59	3.60	8.80	3.60	9.41	3.60	9.81	3.60
	46.0	7.34	3.03	7.70	3.03	8.06	3.03	8.23	3.03	8.75	3.03	9.08	3.03

3D052452-1A

SYMBOLS

TC : Total capacity (kW)
PI : Power input (kW)

NOTES

Capacities are based on following conditions
Corresponding refrigerant piping length: 7.5 m
Level difference: 0 m

The above is the value for connecting with the following indoor units.
2.0 kW class; FTXS20CAVMB 2.5 kW class; FTXS25CAVMB
3.5 kW class; FTXS35CAVMB 5.0 kW class; FTXS50EV1B
6.0 kW class; FTXS60EV1B 7.1 kW class; FTXS71EV1B

5 Capacity tables

5 - 2 Cooling capacity tables

5

5MKS90E

Cooling [50Hz 230V]

Combination (Capacity)	Outdoor air temp. °CDB	Indoor air temp.: °CWB											
		14°C		16°C		18°C		19°C		22°C		24°C	
		TC kW	PI kW	TC kW	PI kW	TC kW	PI kW	TC kW	PI kW	TC kW	PI kW	TC kW	PI kW
2.0+2.0+2.0+2.0+5.0	22.0	10.15	2.88	10.61	2.94	11.08	3.00	11.31	3.03	12.01	3.11	12.47	3.17
	25.0	9.87	2.99	10.33	3.04	10.80	3.10	11.03	3.13	11.73	3.21	12.19	3.27
	32.0	9.21	3.25	9.67	3.31	10.14	3.36	10.37	3.39	11.07	3.48	11.53	3.53
	35.0	8.93	3.37	9.39	3.43	9.86	3.49	10.09	3.51	10.79	3.60	11.25	3.65
	40.0	8.46	3.59	8.92	3.65	9.39	3.70	9.62	3.73	10.29	3.75	10.72	3.75
	43.0	8.17	3.60	8.62	3.60	9.05	3.60	9.27	3.60	9.90	3.60	10.31	3.60
	46.0	7.71	3.03	8.08	3.03	8.44	3.03	8.62	3.03	9.15	3.03	9.50	3.03
2.0+2.0+2.0+2.0+6.0	22.0	10.26	2.89	10.73	2.95	11.20	3.01	11.43	3.03	12.14	3.12	12.61	3.17
	25.0	9.98	3.00	10.44	3.05	10.91	3.11	11.15	3.14	11.85	3.22	12.32	3.28
	32.0	9.31	3.26	9.78	3.32	10.25	3.37	10.48	3.40	11.19	3.49	11.66	3.54
	35.0	9.03	3.38	9.50	3.44	9.97	3.50	10.20	3.52	10.90	3.61	11.37	3.66
	40.0	8.55	3.60	9.02	3.66	9.49	3.71	9.73	3.74	10.40	3.75	10.83	3.75
	43.0	8.26	3.60	8.71	3.60	9.14	3.60	9.36	3.60	10.00	3.60	10.41	3.60
	46.0	7.78	3.03	8.15	3.03	8.52	3.03	8.70	3.03	9.23	3.03	9.58	3.03
2.0+2.0+2.0+2.0+7.1	22.0	10.52	3.16	11.00	3.22	11.49	3.28	11.73	3.31	12.45	3.40	12.93	3.46
	25.0	10.23	3.27	10.71	3.33	11.19	3.39	11.43	3.42	12.16	3.51	12.64	3.58
	32.0	9.55	3.56	10.03	3.62	10.51	3.68	10.75	3.71	11.48	3.80	11.96	3.86
	35.0	9.26	3.69	9.74	3.75	10.22	3.81	10.46	3.84	11.18	3.94	11.66	4.00
	40.0	8.77	3.75	9.23	3.75	9.69	3.75	9.91	3.75	10.56	3.75	10.99	3.75
	43.0	8.48	3.60	8.95	3.60	9.38	3.60	9.60	3.60	10.22	3.60	10.63	3.60
	46.0	8.04	3.03	8.41	3.03	8.77	3.03	8.95	3.03	9.47	3.03	9.81	3.03
2.0+2.0+2.0+2.5+2.5	22.0	9.42	2.69	9.85	2.74	10.28	2.79	10.49	2.82	11.14	2.90	11.57	2.95
	25.0	9.15	2.78	9.58	2.84	10.02	2.89	10.23	2.91	10.88	2.99	11.31	3.05
	32.0	8.54	3.03	8.97	3.08	9.41	3.13	9.62	3.16	10.27	3.24	10.70	3.29
	35.0	8.28	3.14	8.71	3.19	9.14	3.25	9.36	3.27	10.01	3.35	10.44	3.40
	40.0	7.85	3.34	8.28	3.40	8.71	3.45	8.92	3.47	9.57	3.55	10.00	3.61
	43.0	7.58	3.47	8.02	3.52	8.45	3.58	8.66	3.60	9.28	3.60	9.68	3.60
	46.0	7.20	3.03	7.56	3.03	7.92	3.03	8.10	3.03	8.61	3.03	8.95	3.03
2.0+2.0+2.0+2.5+3.5	22.0	9.60	2.80	10.04	2.86	10.48	2.91	10.69	2.94	11.35	3.02	11.79	3.08
	25.0	9.33	2.90	9.77	2.96	10.21	3.01	10.43	3.04	11.09	3.12	11.53	3.18
	32.0	8.71	3.16	9.15	3.21	9.59	3.27	9.81	3.30	10.47	3.38	10.91	3.43
	35.0	8.44	3.28	8.88	3.33	9.32	3.39	9.54	3.41	10.20	3.50	10.64	3.55
	40.0	8.00	3.49	8.44	3.54	8.88	3.60	9.10	3.62	9.76	3.70	10.19	3.75
	43.0	7.73	3.60	8.16	3.60	8.59	3.60	8.80	3.60	9.41	3.60	9.81	3.60
	46.0	7.34	3.03	7.70	3.03	8.06	3.03	8.23	3.03	8.75	3.03	9.08	3.03
2.0+2.0+2.0+2.5+5.0	22.0	10.22	2.88	10.69	2.94	11.16	3.00	11.39	3.03	12.09	3.11	12.56	3.17
	25.0	9.94	2.99	10.40	3.04	10.87	3.10	11.11	3.13	11.81	3.21	12.28	3.27
	32.0	9.27	3.25	9.74	3.31	10.21	3.36	10.44	3.39	11.15	3.48	11.61	3.53
	35.0	8.99	3.37	9.46	3.43	9.93	3.49	10.16	3.51	10.86	3.60	11.33	3.65
	40.0	8.52	3.59	8.98	3.65	9.45	3.70	9.69	3.73	10.36	3.75	10.79	3.75
	43.0	8.23	3.60	8.67	3.60	9.11	3.60	9.33	3.60	9.96	3.60	10.37	3.60
	46.0	7.75	3.03	8.12	3.03	8.49	3.03	8.67	3.03	9.20	3.03	9.55	3.03

3D052452-2A

SYMBOLS

TC : Total capacity (kW)
PI : Power input (kW)

NOTES

Capacities are based on following conditions
Corresponding refrigerant piping length: 7.5 m
Level difference: 0 m

The above is the value for connecting with the following indoor units.
2.0 kW class; FTXS20CAVMB 2.5 kW class; FTXS25CAVMB
3.5 kW class; FTXS35CAVMB 5.0 kW class; FTXS50EV1B
6.0 kW class; FTXS60EV1B 7.1 kW class; FTXS71EV1B

5 Capacity tables

5 - 2 Cooling capacity tables

5MKS90E													
Cooling [50Hz 230V]													
Combination (Capacity)	Outdoor air temp. °CDB	Indoor air temp.: °CWB											
		14°C		16°C		18°C		19°C		22°C		24°C	
		TC kW	PI kW	TC kW	PI kW	TC kW	PI kW	TC kW	PI kW	TC kW	PI kW	TC kW	PI kW
2.0+2.0+2.0+2.5+6.0	22.0	10.26	2.89	10.73	2.95	11.20	3.01	11.43	3.03	12.14	3.12	12.61	3.17
	25.0	9.98	3.00	10.44	3.05	10.91	3.11	11.15	3.14	11.85	3.22	12.32	3.28
	32.0	9.31	3.26	9.78	3.32	10.25	3.37	10.48	3.40	11.19	3.49	11.66	3.54
	35.0	9.03	3.38	9.50	3.44	9.97	3.50	10.20	3.52	10.90	3.61	11.37	3.66
	40.0	8.55	3.60	9.02	3.66	9.49	3.71	9.73	3.74	10.40	3.75	10.83	3.75
	43.0	8.26	3.60	8.71	3.60	9.14	3.60	9.36	3.60	10.00	3.60	10.41	3.60
	46.0	7.78	3.03	8.15	3.03	8.52	3.03	8.70	3.03	9.23	3.03	9.58	3.03
2.0+2.0+2.0+2.5+7.1	22.0	10.56	3.16	11.05	3.22	11.53	3.28	11.77	3.31	12.50	3.40	12.98	3.46
	25.0	10.27	3.27	10.75	3.33	11.24	3.39	11.48	3.42	12.20	3.51	12.69	3.58
	32.0	9.58	3.56	10.07	3.62	10.55	3.68	10.79	3.71	11.52	3.80	12.00	3.86
	35.0	9.29	3.69	9.77	3.75	10.26	3.81	10.50	3.84	11.23	3.94	11.71	4.00
	40.0	8.80	3.75	9.27	3.75	9.72	3.75	9.94	3.75	10.60	3.75	11.03	3.75
	43.0	8.51	3.60	8.98	3.60	9.41	3.60	9.63	3.60	10.25	3.60	10.66	3.60
	46.0	8.07	3.03	8.43	3.03	8.80	3.03	8.97	3.03	9.50	3.03	9.84	3.03
2.0+2.0+2.0+3.5+3.5	22.0	9.42	2.69	9.85	2.74	10.28	2.79	10.49	2.82	11.14	2.90	11.57	2.95
	25.0	9.15	2.78	9.58	2.84	10.02	2.89	10.23	2.91	10.88	2.99	11.31	3.05
	32.0	8.54	3.03	8.97	3.08	9.41	3.13	9.62	3.16	10.27	3.24	10.70	3.29
	35.0	8.28	3.14	8.71	3.19	9.14	3.25	9.36	3.27	10.01	3.35	10.44	3.40
	40.0	7.85	3.34	8.28	3.40	8.71	3.45	8.92	3.47	9.57	3.55	10.00	3.61
	43.0	7.58	3.47	8.02	3.52	8.45	3.58	8.66	3.60	9.28	3.60	9.68	3.60
	46.0	7.20	3.03	7.56	3.03	7.92	3.03	8.10	3.03	8.61	3.03	8.95	3.03
2.0+2.0+2.0+3.5+5.0	22.0	10.22	2.88	10.69	2.94	11.16	3.00	11.39	3.03	12.09	3.11	12.56	3.17
	25.0	9.94	2.99	10.40	3.04	10.87	3.10	11.11	3.13	11.81	3.21	12.28	3.27
	32.0	9.27	3.25	9.74	3.31	10.21	3.36	10.44	3.39	11.15	3.48	11.61	3.53
	35.0	8.99	3.37	9.46	3.43	9.93	3.49	10.16	3.51	10.86	3.60	11.33	3.65
	40.0	8.52	3.59	8.98	3.65	9.45	3.70	9.69	3.73	10.36	3.75	10.79	3.75
	43.0	8.23	3.60	8.67	3.60	9.11	3.60	9.33	3.60	9.96	3.60	10.37	3.60
	46.0	7.75	3.03	8.12	3.03	8.49	3.03	8.67	3.03	9.20	3.03	9.55	3.03
2.0+2.0+2.0+3.5+6.0	22.0	10.55	3.16	11.04	3.22	11.52	3.28	11.76	3.31	12.48	3.40	12.97	3.46
	25.0	10.26	3.27	10.74	3.33	11.23	3.39	11.47	3.42	12.19	3.51	12.68	3.58
	32.0	9.57	3.56	10.06	3.62	10.54	3.68	10.78	3.71	11.51	3.80	11.99	3.86
	35.0	9.28	3.69	9.77	3.75	10.25	3.81	10.49	3.84	11.21	3.94	11.70	4.00
	40.0	8.79	3.75	9.26	3.75	9.71	3.75	9.94	3.75	10.59	3.75	11.02	3.75
	43.0	8.50	3.60	8.97	3.60	9.41	3.60	9.62	3.60	10.24	3.60	10.65	3.60
	46.0	8.06	3.03	8.43	3.03	8.79	3.03	8.97	3.03	9.49	3.03	9.83	3.03
2.0+2.0+2.5+2.5+2.5	22.0	9.60	2.80	10.04	2.86	10.48	2.91	10.69	2.94	11.35	3.02	11.79	3.08
	25.0	9.33	2.90	9.77	2.96	10.21	3.01	10.43	3.04	11.09	3.12	11.53	3.18
	32.0	8.71	3.16	9.15	3.21	9.59	3.27	9.81	3.30	10.47	3.38	10.91	3.43
	35.0	8.44	3.28	8.88	3.33	9.32	3.39	9.54	3.41	10.20	3.50	10.64	3.55
	40.0	8.00	3.49	8.44	3.54	8.88	3.60	9.10	3.62	9.76	3.70	10.19	3.75
	43.0	7.73	3.60	8.16	3.60	8.59	3.60	8.80	3.60	9.41	3.60	9.81	3.60
	46.0	7.34	3.03	7.70	3.03	8.06	3.03	8.23	3.03	8.75	3.03	9.08	3.03

3D052452-2A

SYMBOLS

TC : Total capacity (kW)
PI : Power input (kW)

NOTES

Capacities are based on following conditions
Corresponding refrigerant piping length: 7.5 m
Level difference: 0 m

The above is the value for connecting with the following indoor units.
2.0 kW class; FTXS20CAVMB 2.5 kW class; FTXS25CAVMB
3.5 kW class; FTXS35CAVMB 5.0 kW class; FTXS50EV1B
6.0 kW class; FTXS60EV1B 7.1 kW class; FTXS71EV1B

5 Capacity tables

5 - 2 Cooling capacity tables

5

5MKS90E

Cooling [50Hz 230V]

Combination (Capacity)	Outdoor air temp. °CDB	Indoor air temp.: °CWB											
		14°C		16°C		18°C		19°C		22°C		24°C	
		TC kW	PI kW	TC kW	PI kW	TC kW	PI kW	TC kW	PI kW	TC kW	PI kW	TC kW	PI kW
2.0+2.0+2.5+2.5+3.5	22.0	9.60	2.80	10.04	2.86	10.48	2.91	10.69	2.94	11.35	3.02	11.79	3.08
	25.0	9.33	2.90	9.77	2.96	10.21	3.01	10.43	3.04	11.09	3.12	11.53	3.18
	32.0	8.71	3.16	9.15	3.21	9.59	3.27	9.81	3.30	10.47	3.38	10.91	3.43
	35.0	8.44	3.28	8.88	3.33	9.32	3.39	9.54	3.41	10.20	3.50	10.64	3.55
	40.0	8.00	3.49	8.44	3.54	8.88	3.60	9.10	3.62	9.76	3.70	10.19	3.75
	43.0	7.73	3.60	8.16	3.60	8.59	3.60	8.80	3.60	9.41	3.60	9.81	3.60
	46.0	7.34	3.03	7.70	3.03	8.06	3.03	8.23	3.03	8.75	3.03	9.08	3.03
2.0+2.0+2.5+2.5+5.0	22.0	10.22	2.88	10.69	2.94	11.16	3.00	11.39	3.03	12.09	3.11	12.56	3.17
	25.0	9.94	2.99	10.40	3.04	10.87	3.10	11.11	3.13	11.81	3.21	12.28	3.27
	32.0	9.27	3.25	9.74	3.31	10.21	3.36	10.44	3.39	11.15	3.48	11.61	3.53
	35.0	8.99	3.37	9.46	3.43	9.93	3.49	10.16	3.51	10.86	3.60	11.33	3.65
	40.0	8.52	3.59	8.98	3.65	9.45	3.70	9.69	3.73	10.36	3.75	10.79	3.75
	43.0	8.23	3.60	8.67	3.60	9.11	3.60	9.33	3.60	9.96	3.60	10.37	3.60
	46.0	7.75	3.03	8.12	3.03	8.49	3.03	8.67	3.03	9.20	3.03	9.55	3.03
2.0+2.0+2.5+2.5+6.0	22.0	10.51	3.16	10.99	3.22	11.47	3.28	11.72	3.31	12.44	3.40	12.92	3.46
	25.0	10.22	3.27	10.70	3.33	11.18	3.39	11.42	3.42	12.15	3.51	12.63	3.58
	32.0	9.54	3.56	10.02	3.62	10.50	3.68	10.74	3.71	11.46	3.80	11.95	3.86
	35.0	9.25	3.69	9.73	3.75	10.21	3.81	10.45	3.84	11.17	3.94	11.65	4.00
	40.0	8.76	3.75	9.23	3.75	9.68	3.75	9.90	3.75	10.56	3.75	10.98	3.75
	43.0	8.47	3.60	8.94	3.60	9.38	3.60	9.59	3.60	10.21	3.60	10.62	3.60
	46.0	8.04	3.03	8.40	3.03	8.77	3.03	8.94	3.03	9.47	3.03	9.81	3.03
2.0+2.0+2.5+3.5+3.5	22.0	9.60	2.80	10.04	2.86	10.48	2.91	10.69	2.94	11.35	3.02	11.79	3.08
	25.0	9.33	2.90	9.77	2.96	10.21	3.01	10.43	3.04	11.09	3.12	11.53	3.18
	32.0	8.71	3.16	9.15	3.21	9.59	3.27	9.81	3.30	10.47	3.38	10.91	3.43
	35.0	8.44	3.28	8.88	3.33	9.32	3.39	9.54	3.41	10.20	3.50	10.64	3.55
	40.0	8.00	3.49	8.44	3.54	8.88	3.60	9.10	3.62	9.76	3.70	10.19	3.75
	43.0	7.73	3.60	8.16	3.60	8.59	3.60	8.80	3.60	9.41	3.60	9.81	3.60
	46.0	7.34	3.03	7.70	3.03	8.06	3.03	8.23	3.03	8.75	3.03	9.08	3.03
2.0+2.0+2.5+3.5+5.0	22.0	10.51	3.15	10.99	3.21	11.47	3.27	11.72	3.30	12.44	3.39	12.92	3.45
	25.0	10.22	3.26	10.70	3.32	11.18	3.38	11.42	3.41	12.15	3.51	12.63	3.57
	32.0	9.54	3.55	10.02	3.61	10.50	3.67	10.74	3.70	11.46	3.79	11.95	3.85
	35.0	9.25	3.68	9.73	3.74	10.21	3.80	10.45	3.83	11.17	3.93	11.65	3.99
	40.0	8.76	3.75	9.22	3.75	9.68	3.75	9.90	3.75	10.56	3.75	10.98	3.75
	43.0	8.47	3.60	8.94	3.60	9.37	3.60	9.59	3.60	10.21	3.60	10.62	3.60
	46.0	8.03	3.03	8.40	3.03	8.76	3.03	8.94	3.03	9.46	3.03	9.80	3.03
2.0+2.0+3.5+3.5+3.5	22.0	9.60	2.80	10.04	2.86	10.48	2.91	10.69	2.94	11.35	3.02	11.79	3.08
	25.0	9.33	2.90	9.77	2.96	10.21	3.01	10.43	3.04	11.09	3.12	11.53	3.18
	32.0	8.71	3.16	9.15	3.21	9.59	3.27	9.81	3.30	10.47	3.38	10.91	3.43
	35.0	8.44	3.28	8.88	3.33	9.32	3.39	9.54	3.41	10.20	3.50	10.64	3.55
	40.0	8.00	3.49	8.44	3.54	8.88	3.60	9.10	3.62	9.76	3.70	10.19	3.75
	43.0	7.73	3.60	8.16	3.60	8.59	3.60	8.80	3.60	9.41	3.60	9.81	3.60
	46.0	7.34	3.03	7.70	3.03	8.06	3.03	8.23	3.03	8.75	3.03	9.08	3.03

3D052452-3A

SYMBOLS

TC : Total capacity (kW)
PI : Power input (kW)

NOTES

Capacities are based on following conditions
Corresponding refrigerant piping length: 7.5 m
Level difference: 0 m

The above is the value for connecting with the following indoor units.
2.0 kW class; FTXS20CAVMB 2.5 kW class; FTXS25CAVMB
3.5 kW class; FTXS35CAVMB 5.0 kW class; FTXS50EV1B
6.0 kW class; FTXS60EV1B 7.1 kW class; FTXS71EV1B

5 Capacity tables

5 - 2 Cooling capacity tables

5MKS90E													
Cooling [50Hz 230V]													
Combination (Capacity)	Outdoor air temp. °CDB	Indoor air temp.: °CWB											
		14°C		16°C		18°C		19°C		22°C		24°C	
		TC kW	PI kW	TC kW	PI kW	TC kW	PI kW	TC kW	PI kW	TC kW	PI kW	TC kW	PI kW
2.0+2.5+2.5+2.5+2.5	22.0	9.60	2.80	10.04	2.86	10.48	2.91	10.69	2.94	11.35	3.02	11.79	3.08
	25.0	9.33	2.90	9.77	2.96	10.21	3.01	10.43	3.04	11.09	3.12	11.53	3.18
	32.0	8.71	3.16	9.15	3.21	9.59	3.27	9.81	3.30	10.47	3.38	10.91	3.43
	35.0	8.44	3.28	8.88	3.33	9.32	3.39	9.54	3.41	10.20	3.50	10.64	3.55
	40.0	8.00	3.49	8.44	3.54	8.88	3.60	9.10	3.62	9.76	3.70	10.19	3.75
	43.0	7.73	3.60	8.16	3.60	8.59	3.60	8.80	3.60	9.41	3.60	9.81	3.60
	46.0	7.34	3.03	7.70	3.03	8.06	3.03	8.23	3.03	8.75	3.03	9.08	3.03
2.0+2.5+2.5+2.5+3.5	22.0	9.60	2.80	10.04	2.86	10.48	2.91	10.69	2.94	11.35	3.02	11.79	3.08
	25.0	9.33	2.90	9.77	2.96	10.21	3.01	10.43	3.04	11.09	3.12	11.53	3.18
	32.0	8.71	3.16	9.15	3.21	9.59	3.27	9.81	3.30	10.47	3.38	10.91	3.43
	35.0	8.44	3.28	8.88	3.33	9.32	3.39	9.54	3.41	10.20	3.50	10.64	3.55
	40.0	8.00	3.49	8.44	3.54	8.88	3.60	9.10	3.62	9.76	3.70	10.19	3.75
	43.0	7.73	3.60	8.16	3.60	8.59	3.60	8.80	3.60	9.41	3.60	9.81	3.60
	46.0	7.34	3.03	7.70	3.03	8.06	3.03	8.23	3.03	8.75	3.03	9.08	3.03
2.0+2.5+2.5+2.5+5.0	22.0	10.22	2.88	10.69	2.94	11.16	3.00	11.39	3.03	12.09	3.11	12.56	3.17
	25.0	9.94	2.99	10.40	3.04	10.87	3.10	11.11	3.13	11.81	3.21	12.28	3.27
	32.0	9.27	3.25	9.74	3.31	10.21	3.36	10.44	3.39	11.15	3.48	11.61	3.53
	35.0	8.99	3.37	9.46	3.43	9.93	3.49	10.16	3.51	10.86	3.60	11.33	3.65
	40.0	8.52	3.59	8.98	3.65	9.45	3.70	9.69	3.73	10.36	3.75	10.79	3.75
	43.0	8.23	3.60	8.67	3.60	9.11	3.60	9.33	3.60	9.96	3.60	10.37	3.60
	46.0	7.75	3.03	8.12	3.03	8.49	3.03	8.67	3.03	9.20	3.03	9.55	3.03
2.0+2.5+2.5+2.5+6.0	22.0	10.55	3.16	11.04	3.22	11.52	3.28	11.76	3.31	12.48	3.40	12.97	3.46
	25.0	10.26	3.27	10.74	3.33	11.23	3.39	11.47	3.42	12.19	3.51	12.68	3.58
	32.0	9.57	3.56	10.06	3.62	10.54	3.68	10.78	3.71	11.51	3.80	11.99	3.86
	35.0	9.28	3.69	9.77	3.75	10.25	3.81	10.49	3.84	11.21	3.94	11.70	4.00
	40.0	8.79	3.75	9.26	3.75	9.71	3.75	9.94	3.75	10.59	3.75	11.02	3.75
	43.0	8.50	3.60	8.97	3.60	9.41	3.60	9.62	3.60	10.24	3.60	10.65	3.60
	46.0	8.06	3.03	8.43	3.03	8.79	3.03	8.97	3.03	9.49	3.03	9.83	3.03
2.0+2.5+2.5+3.5+3.5	22.0	9.60	2.80	10.04	2.86	10.48	2.91	10.69	2.94	11.35	3.02	11.79	3.08
	25.0	9.33	2.90	9.77	2.96	10.21	3.01	10.43	3.04	11.09	3.12	11.53	3.18
	32.0	8.71	3.16	9.15	3.21	9.59	3.27	9.81	3.30	10.47	3.38	10.91	3.43
	35.0	8.44	3.28	8.88	3.33	9.32	3.39	9.54	3.41	10.20	3.50	10.64	3.55
	40.0	8.00	3.49	8.44	3.54	8.88	3.60	9.10	3.62	9.76	3.70	10.19	3.75
	43.0	7.73	3.60	8.16	3.60	8.59	3.60	8.80	3.60	9.41	3.60	9.81	3.60
	46.0	7.34	3.03	7.70	3.03	8.06	3.03	8.23	3.03	8.75	3.03	9.08	3.03
2.0+2.5+2.5+3.5+5.0	22.0	10.55	3.21	11.04	3.28	11.52	3.34	11.76	3.37	12.48	3.46	12.97	3.53
	25.0	10.26	3.33	10.74	3.39	11.23	3.45	11.47	3.49	12.19	3.58	12.68	3.64
	32.0	9.57	3.62	10.06	3.68	10.54	3.75	10.78	3.78	11.51	3.87	11.99	3.93
	35.0	9.28	3.76	9.77	3.82	10.25	3.88	10.49	3.91	11.21	4.01	11.67	4.02
	40.0	8.79	3.75	9.27	3.75	9.72	3.75	9.94	3.75	10.59	3.75	11.01	3.75
	43.0	8.50	3.60	8.98	3.60	9.43	3.60	9.64	3.60	10.26	3.60	10.66	3.60
	46.0	8.09	3.03	8.46	3.03	8.82	3.03	9.00	3.03	9.52	3.03	9.86	3.03

3D052452-3A

SYMBOLS

TC : Total capacity (kW)
PI : Power input (kW)

NOTES

Capacities are based on following conditions
Corresponding refrigerant piping length: 7.5 m
Level difference: 0 m

The above is the value for connecting with the following indoor units.
2.0 kW class; FTXS20CAVMB 2.5 kW class; FTXS25CAVMB
3.5 kW class; FTXS35CAVMB 5.0 kW class; FTXS50EV1B
6.0 kW class; FTXS60EV1B 7.1 kW class; FTXS71EV1B

5 Capacity tables

5 - 2 Cooling capacity tables

5

5MKS90E

Cooling [50Hz 230V]

Combination (Capacity)	Outdoor air temp. °CDB	Indoor air temp.: °CWB											
		14°C		16°C		18°C		19°C		22°C		24°C	
		TC kW	PI kW	TC kW	PI kW	TC kW	PI kW	TC kW	PI kW	TC kW	PI kW	TC kW	PI kW
2.0+2.5+3.5+3.5+3.5	22.0	10.03	3.25	10.49	3.31	10.95	3.37	11.18	3.40	11.87	3.50	12.33	3.56
	25.0	9.75	3.36	10.21	3.43	10.67	3.49	10.90	3.52	11.59	3.62	12.05	3.68
	32.0	9.10	3.66	9.56	3.72	10.02	3.79	10.25	3.82	10.94	3.91	11.40	3.97
	35.0	8.82	3.80	9.28	3.86	9.74	3.92	9.97	3.95	10.65	4.02	11.09	4.02
	40.0	8.36	3.75	8.82	3.75	9.28	3.75	9.50	3.75	10.13	3.75	10.54	3.75
	43.0	8.08	3.60	8.54	3.60	9.00	3.60	9.23	3.60	9.85	3.60	10.24	3.60
	46.0	7.80	3.03	8.18	3.03	8.53	3.03	8.70	3.03	9.20	3.03	9.53	3.03
2.5+2.5+2.5+2.5+2.5	22.0	9.60	2.80	10.04	2.86	10.48	2.91	10.69	2.94	11.35	3.02	11.79	3.08
	25.0	9.33	2.90	9.77	2.96	10.21	3.01	10.43	3.04	11.09	3.12	11.53	3.18
	32.0	8.71	3.16	9.15	3.21	9.59	3.27	9.81	3.30	10.47	3.38	10.91	3.43
	35.0	8.44	3.28	8.88	3.33	9.32	3.39	9.54	3.41	10.20	3.50	10.64	3.55
	40.0	8.00	3.49	8.44	3.54	8.88	3.60	9.10	3.62	9.76	3.70	10.19	3.75
	43.0	7.73	3.60	8.16	3.60	8.59	3.60	8.80	3.60	9.41	3.60	9.81	3.60
	46.0	7.34	3.03	7.70	3.03	8.06	3.03	8.23	3.03	8.75	3.03	9.08	3.03
2.5+2.5+2.5+2.5+3.5	22.0	9.60	2.80	10.04	2.86	10.48	2.91	10.69	2.94	11.35	3.02	11.79	3.08
	25.0	9.33	2.90	9.77	2.96	10.21	3.01	10.43	3.04	11.09	3.12	11.53	3.18
	32.0	8.71	3.16	9.15	3.21	9.59	3.27	9.81	3.30	10.47	3.38	10.91	3.43
	35.0	8.44	3.28	8.88	3.33	9.32	3.39	9.54	3.41	10.20	3.50	10.64	3.55
	40.0	8.00	3.49	8.44	3.54	8.88	3.60	9.10	3.62	9.76	3.70	10.19	3.75
	43.0	7.73	3.60	8.16	3.60	8.59	3.60	8.80	3.60	9.41	3.60	9.81	3.60
	46.0	7.34	3.03	7.70	3.03	8.06	3.03	8.23	3.03	8.75	3.03	9.08	3.03
2.5+2.5+2.5+2.5+5.0	22.0	10.51	3.15	10.99	3.21	11.47	3.27	11.72	3.30	12.44	3.39	12.92	3.45
	25.0	10.22	3.26	10.70	3.32	11.18	3.38	11.42	3.41	12.15	3.51	12.63	3.57
	32.0	9.54	3.55	10.02	3.61	10.50	3.67	10.74	3.70	11.46	3.79	11.95	3.85
	35.0	9.25	3.68	9.73	3.74	10.21	3.80	10.45	3.83	11.17	3.93	11.65	3.99
	40.0	8.76	3.75	9.22	3.75	9.68	3.75	9.90	3.75	10.56	3.75	10.98	3.75
	43.0	8.47	3.60	8.94	3.60	9.37	3.60	9.59	3.60	10.21	3.60	10.62	3.60
	46.0	8.03	3.03	8.40	3.03	8.76	3.03	8.94	3.03	9.46	3.03	9.80	3.03
2.5+2.5+2.5+3.5+3.5	22.0	9.60	2.80	10.04	2.86	10.48	2.91	10.69	2.94	11.35	3.02	11.79	3.08
	25.0	9.33	2.90	9.77	2.96	10.21	3.01	10.43	3.04	11.09	3.12	11.53	3.18
	32.0	8.71	3.16	9.15	3.21	9.59	3.27	9.81	3.30	10.47	3.38	10.91	3.43
	35.0	8.44	3.28	8.88	3.33	9.32	3.39	9.54	3.41	10.20	3.50	10.64	3.55
	40.0	8.00	3.49	8.44	3.54	8.88	3.60	9.10	3.62	9.76	3.70	10.19	3.75
	43.0	7.73	3.60	8.16	3.60	8.59	3.60	8.80	3.60	9.41	3.60	9.81	3.60
	46.0	7.34	3.03	7.70	3.03	8.06	3.03	8.23	3.03	8.75	3.03	9.08	3.03
2.5+2.5+3.5+3.5+3.5	22.0	10.03	3.25	10.49	3.31	10.95	3.37	11.18	3.40	11.87	3.50	12.33	3.56
	25.0	9.75	3.36	10.21	3.43	10.67	3.49	10.90	3.52	11.59	3.62	12.05	3.68
	32.0	9.10	3.66	9.56	3.72	10.02	3.79	10.25	3.82	10.94	3.91	11.40	3.97
	35.0	8.82	3.80	9.28	3.86	9.74	3.92	9.97	3.95	10.65	4.02	11.09	4.02
	40.0	8.36	3.75	8.82	3.75	9.28	3.75	9.50	3.75	10.13	3.75	10.54	3.75
	43.0	8.08	3.60	8.54	3.60	9.00	3.60	9.23	3.60	9.85	3.60	10.24	3.60
	46.0	7.80	3.03	8.18	3.03	8.53	3.03	8.70	3.03	9.20	3.03	9.53	3.03

3D052452-4A

SYMBOLS

TC : Total capacity (kW)
PI : Power input (kW)

NOTES

Capacities are based on following conditions
Corresponding refrigerant piping length: 7.5 m
Level difference: 0 m

The above is the value for connecting with the following indoor units.
2.0 kW class; FTXS20CAVMB 2.5 kW class; FTXS25CAVMB
3.5 kW class; FTXS35CAVMB 5.0 kW class; FTXS50EV1B
6.0 kW class; FTXS60EV1B 7.1 kW class; FTXS71EV1B

5 Capacity tables

5 - 2 Cooling capacity tables

5MKS90E

Cooling [50Hz 230V]

Combination (Capacity)	Outdoor air temp. °CDB	Indoor air temp.: °CWB											
		14°C		16°C		18°C		19°C		22°C		24°C	
		TC kW	PI kW	TC kW	PI kW	TC kW	PI kW	TC kW	PI kW	TC kW	PI kW	TC kW	PI kW
2.0+2.0	22.0	5.19	1.46	5.43	1.49	5.67	1.52	5.78	1.53	6.14	1.58	6.38	1.61
	25.0	5.05	1.52	5.28	1.54	5.52	1.57	5.64	1.59	6.00	1.63	6.23	1.66
	32.0	4.71	1.65	4.95	1.68	5.19	1.71	5.30	1.72	5.66	1.76	5.90	1.79
	35.0	4.57	1.71	4.80	1.74	5.04	1.77	5.16	1.78	5.52	1.82	5.75	1.85
	40.0	4.33	1.82	4.56	1.85	4.80	1.88	4.92	1.89	5.28	1.93	5.51	1.96
	43.0	4.18	1.89	4.42	1.92	4.66	1.95	4.78	1.96	5.13	2.00	5.37	2.03
	46.0	4.04	1.96	4.27	1.99	4.51	2.02	4.63	2.03	4.99	2.08	5.23	2.10
2.0+2.5	22.0	5.60	1.46	5.86	1.49	6.12	1.52	6.24	1.53	6.63	1.58	6.89	1.61
	25.0	5.45	1.52	5.70	1.54	5.96	1.57	6.09	1.59	6.47	1.63	6.73	1.66
	32.0	5.08	1.65	5.34	1.68	5.60	1.71	5.73	1.72	6.11	1.76	6.37	1.79
	35.0	4.93	1.71	5.19	1.74	5.44	1.77	5.57	1.78	5.95	1.82	6.21	1.85
	40.0	4.67	1.82	4.93	1.85	5.18	1.88	5.31	1.89	5.70	1.93	5.95	1.96
	43.0	4.51	1.89	4.77	1.92	5.03	1.95	5.16	1.96	5.54	2.00	5.80	2.03
	46.0	4.36	1.96	4.61	1.99	4.87	2.02	5.00	2.03	5.38	2.08	5.64	2.10
2.0+3.5	22.0	6.22	1.70	6.50	1.73	6.79	1.77	6.93	1.78	7.36	1.83	7.64	1.87
	25.0	6.04	1.76	6.33	1.80	6.61	1.83	6.76	1.85	7.18	1.89	7.47	1.93
	32.0	5.64	1.92	5.93	1.95	6.21	1.98	6.35	2.00	6.78	2.05	7.06	2.08
	35.0	5.47	1.99	5.75	2.02	6.04	2.06	6.18	2.07	6.61	2.12	6.89	2.15
	40.0	5.18	2.12	5.47	2.15	5.75	2.18	5.89	2.20	6.32	2.25	6.60	2.28
	43.0	5.01	2.20	5.29	2.23	5.58	2.26	5.72	2.28	6.15	2.33	6.43	2.36
	46.0	4.84	2.28	5.12	2.31	5.40	2.35	5.55	2.36	5.97	2.41	6.26	2.45
2.0+5.0	22.0	7.34	2.25	7.69	2.30	8.03	2.34	8.19	2.36	8.70	2.43	9.04	2.47
	25.0	7.15	2.33	7.49	2.38	7.82	2.42	7.99	2.44	8.50	2.51	8.83	2.55
	32.0	6.67	2.54	7.01	2.58	7.35	2.63	7.51	2.65	8.02	2.71	8.36	2.76
	35.0	6.47	2.63	6.80	2.68	7.14	2.72	7.31	2.74	7.82	2.81	8.15	2.85
	40.0	6.13	2.80	6.46	2.85	6.80	2.89	6.97	2.91	7.47	2.98	7.81	3.02
	43.0	5.92	2.91	6.26	2.95	6.60	3.00	6.77	3.02	7.27	3.08	7.61	3.13
	46.0	5.72	3.02	6.05	3.03	6.37	3.03	6.53	3.03	7.00	3.03	7.31	3.03
2.0+6.0	22.0	8.01	2.44	8.37	2.49	8.74	2.54	8.92	2.56	9.47	2.63	9.84	2.68
	25.0	7.78	2.53	8.15	2.58	8.52	2.62	8.70	2.65	9.25	2.72	9.62	2.77
	32.0	7.27	2.75	7.63	2.80	8.00	2.85	8.18	2.87	8.73	2.94	9.10	2.99
	35.0	7.04	2.85	7.41	2.90	7.78	2.95	7.96	2.97	8.51	3.04	8.88	3.09
	40.0	6.67	3.04	7.04	3.08	7.41	3.13	7.59	3.16	8.14	3.23	8.51	3.27
	43.0	6.45	3.15	6.82	3.20	7.18	3.25	7.37	3.27	7.92	3.34	8.28	3.39
	46.0	6.21	3.03	6.55	3.03	6.88	3.03	7.04	3.03	7.52	3.03	7.83	3.03
2.0+7.1	22.0	8.27	2.55	8.65	2.60	9.03	2.65	9.22	2.67	9.78	2.75	10.16	2.80
	25.0	8.04	2.64	8.42	2.69	8.80	2.74	8.99	2.76	9.55	2.84	9.93	2.89
	32.0	7.50	2.87	7.88	2.92	8.26	2.97	8.45	3.00	9.02	3.07	9.40	3.12
	35.0	7.27	2.98	7.65	3.03	8.03	3.08	8.22	3.10	8.79	3.18	9.17	3.23
	40.0	6.89	3.17	7.27	3.22	7.65	3.27	7.84	3.29	8.41	3.37	8.78	3.42
	43.0	6.66	3.29	7.04	3.34	7.42	3.39	7.61	3.41	8.18	3.49	8.55	3.54
	46.0	6.41	3.03	6.75	3.03	7.08	3.03	7.24	3.03	7.72	3.03	8.04	3.03

3D052453-1A

SYMBOLS

TC : Total capacity (kW)
PI : Power input (kW)

NOTES

Capacities are based on following conditions
Corresponding refrigerant piping length: 7.5 m
Level difference: 0 m

The above is the value for connecting with the following indoor units.
2.0 kW class; FTXS20D3VMW/L 2.5 kW class; FTXS25D3VMW/L
3.5 kW class; FTXS35D3VMW/L 5.0 kW class; FTXS50D2V1W/L
6.0 kW class; FTXS60EV1B 7.1 kW class; FTXS71EV1B

5 Capacity tables

5 - 2 Cooling capacity tables

5

5MKS90E

Cooling [50Hz 230V]

Combination (Capacity)	Outdoor air temp. °CDB	Indoor air temp.: °CWB											
		14°C		16°C		18°C		19°C		22°C		24°C	
		TC kW	PI kW	TC kW	PI kW	TC kW	PI kW	TC kW	PI kW	TC kW	PI kW	TC kW	PI kW
2.5+2.5	22.0	6.06	1.62	6.33	1.65	6.61	1.68	6.75	1.70	7.16	1.75	7.44	1.78
	25.0	5.89	1.68	6.16	1.71	6.44	1.74	6.58	1.76	7.00	1.80	7.27	1.83
	32.0	5.49	1.82	5.77	1.86	6.05	1.89	6.19	1.90	6.60	1.95	6.88	1.98
	35.0	5.33	1.89	5.60	1.92	5.88	1.96	6.02	1.97	6.44	2.02	6.71	2.05
	40.0	5.05	2.01	5.32	2.05	5.60	2.08	5.74	2.09	6.16	2.14	6.43	2.17
	43.0	4.88	2.09	5.16	2.12	5.43	2.15	5.57	2.17	5.99	2.22	6.26	2.25
	46.0	4.71	2.17	4.99	2.20	5.26	2.23	5.40	2.25	5.82	2.30	6.10	2.33
2.5+3.5	22.0	6.51	1.85	6.94	1.95	7.25	1.99	7.40	2.01	7.86	2.06	8.16	2.10
	25.0	6.45	1.98	6.76	2.02	7.06	2.06	7.21	2.08	7.67	2.13	7.97	2.17
	32.0	6.02	2.16	6.33	2.20	6.63	2.23	6.78	2.25	7.24	2.31	7.54	2.34
	35.0	5.84	2.24	6.14	2.28	6.45	2.31	6.60	2.33	7.06	2.39	7.36	2.43
	40.0	5.53	2.38	5.84	2.42	6.14	2.46	6.29	2.48	6.75	2.53	7.05	2.57
	43.0	5.35	2.47	5.65	2.51	5.96	2.55	6.11	2.57	6.56	2.62	6.87	2.66
	46.0	5.16	2.57	5.47	2.60	5.77	2.64	5.92	2.66	6.38	2.72	6.68	2.75
2.5+5.0	22.0	7.22	2.14	7.99	2.45	8.35	2.49	8.52	2.52	9.05	2.59	9.40	2.63
	25.0	7.22	2.34	7.78	2.53	8.13	2.58	8.31	2.60	8.83	2.67	9.18	2.72
	32.0	6.94	2.70	7.29	2.75	7.64	2.80	7.81	2.82	8.34	2.89	8.69	2.94
	35.0	6.72	2.81	7.07	2.85	7.42	2.90	7.60	2.92	8.13	2.99	8.48	3.04
	40.0	6.37	2.99	6.72	3.03	7.07	3.08	7.25	3.10	7.77	3.17	8.12	3.22
	43.0	6.16	3.10	6.51	3.15	6.86	3.19	7.03	3.22	7.56	3.29	7.91	3.33
	46.0	5.94	3.03	6.27	3.03	6.59	3.03	6.75	3.03	7.22	3.03	7.52	3.03
2.5+6.0	22.0	8.08	2.44	8.45	2.49	8.82	2.54	9.00	2.56	9.56	2.63	9.93	2.68
	25.0	7.85	2.53	8.22	2.58	8.59	2.62	8.78	2.65	9.33	2.72	9.70	2.77
	32.0	7.33	2.75	7.70	2.80	8.07	2.85	8.25	2.87	8.81	2.94	9.18	2.99
	35.0	7.11	2.85	7.48	2.90	7.85	2.95	8.03	2.97	8.58	3.04	8.95	3.09
	40.0	6.73	3.04	7.10	3.08	7.47	3.13	7.66	3.16	8.21	3.23	8.58	3.27
	43.0	6.51	3.15	6.88	3.20	7.25	3.25	7.43	3.27	7.99	3.34	8.36	3.39
	46.0	6.26	3.03	6.60	3.03	6.93	3.03	7.10	3.03	7.58	3.03	7.89	3.03
2.5+7.1	22.0	8.27	2.55	8.65	2.60	9.03	2.65	9.22	2.67	9.78	2.75	10.16	2.80
	25.0	8.04	2.64	8.42	2.69	8.80	2.74	8.99	2.76	9.55	2.84	9.93	2.89
	32.0	7.50	2.87	7.88	2.92	8.26	2.97	8.45	3.00	9.02	3.07	9.40	3.12
	35.0	7.27	2.98	7.65	3.03	8.03	3.08	8.22	3.10	8.79	3.18	9.17	3.23
	40.0	6.89	3.17	7.27	3.22	7.65	3.27	7.84	3.29	8.41	3.37	8.78	3.42
	43.0	6.66	3.29	7.04	3.34	7.42	3.39	7.61	3.41	8.18	3.49	8.55	3.54
	46.0	6.41	3.03	6.75	3.03	7.08	3.03	7.24	3.03	7.72	3.03	8.04	3.03
3.5+3.5	22.0	6.59	1.87	7.65	2.33	7.98	2.37	8.15	2.40	8.65	2.46	8.99	2.51
	25.0	6.59	2.04	7.44	2.41	7.78	2.46	7.95	2.48	8.45	2.54	8.78	2.59
	32.0	6.59	2.54	6.97	2.62	7.31	2.66	7.47	2.69	7.98	2.75	8.31	2.80
	35.0	6.43	2.67	6.77	2.72	7.10	2.76	7.27	2.78	7.77	2.85	8.11	2.89
	40.0	6.09	2.84	6.43	2.89	6.76	2.93	6.93	2.95	7.43	3.02	7.77	3.06
	43.0	5.89	2.95	6.23	3.00	6.56	3.04	6.73	3.06	7.23	3.13	7.57	3.17
	46.0	5.69	3.03	6.01	3.03	6.33	3.03	6.49	3.03	6.95	3.03	7.26	3.03

3D052453-2A

SYMBOLS

TC : Total capacity (kW)
PI : Power input (kW)

NOTES

Capacities are based on following conditions
Corresponding refrigerant piping length: 7.5 m
Level difference: 0 m

The above is the value for connecting with the following indoor units.
2.0 kW class; FTXS20D3VMW/L 2.5 kW class; FTXS25D3VMW/L
3.5 kW class; FTXS35D3VMW/L 5.0 kW class; FTXS50D2V1W/L
6.0 kW class; FTXS60EV1B 7.1 kW class; FTXS71EV1B

5 Capacity tables

5 - 2 Cooling capacity tables

5MKS90E

Cooling [50Hz 230V]

Combination (Capacity)	Outdoor air temp. °CDB	Indoor air temp.: °CWB											
		14°C		16°C		18°C		19°C		22°C		24°C	
		TC kW	PI kW	TC kW	PI kW	TC kW	PI kW	TC kW	PI kW	TC kW	PI kW	TC kW	PI kW
6.0+6.0	22.0	9.05	2.74	9.47	2.79	9.88	2.84	10.09	2.87	10.71	2.95	11.13	3.00
	25.0	8.80	2.83	9.22	2.89	9.63	2.94	9.84	2.97	10.46	3.05	10.87	3.10
	32.0	8.21	3.08	8.63	3.14	9.04	3.19	9.25	3.22	9.87	3.30	10.29	3.35
	35.0	7.96	3.20	8.38	3.25	8.79	3.31	9.00	3.33	9.62	3.41	10.04	3.47
	40.0	7.54	3.40	7.96	3.46	8.37	3.51	8.58	3.54	9.20	3.62	9.62	3.67
	43.0	7.29	3.53	7.71	3.59	8.12	3.60	8.32	3.60	8.92	3.60	9.30	3.60
	46.0	6.98	3.03	7.33	3.03	7.67	3.03	7.84	3.03	8.34	3.03	8.66	3.03
6.0+7.1	22.0	9.07	2.74	9.49	2.79	9.90	2.84	10.11	2.87	10.74	2.95	11.15	3.00
	25.0	8.82	2.83	9.24	2.89	9.65	2.94	9.86	2.97	10.48	3.05	10.90	3.10
	32.0	8.23	3.08	8.65	3.14	9.06	3.19	9.27	3.22	9.90	3.30	10.31	3.35
	35.0	7.98	3.20	8.40	3.25	8.81	3.31	9.02	3.33	9.64	3.41	10.06	3.47
	40.0	7.56	3.40	7.98	3.46	8.39	3.51	8.60	3.54	9.22	3.62	9.64	3.67
	43.0	7.31	3.53	7.72	3.59	8.14	3.60	8.34	3.60	8.93	3.60	9.32	3.60
	46.0	6.99	3.03	7.34	3.03	7.69	3.03	7.86	3.03	8.35	3.03	8.68	3.03
7.1+7.1	22.0	9.09	2.74	9.51	2.80	9.93	2.85	10.13	2.88	10.76	2.96	11.18	3.01
	25.0	8.84	2.84	9.26	2.90	9.67	2.95	9.88	2.98	10.51	3.06	10.92	3.11
	32.0	8.25	3.09	8.67	3.15	9.08	3.20	9.29	3.23	9.92	3.31	10.33	3.36
	35.0	8.00	3.21	8.42	3.26	8.83	3.32	9.04	3.34	9.66	3.42	10.08	3.48
	40.0	7.58	3.42	7.99	3.47	8.41	3.52	8.62	3.55	9.24	3.63	9.66	3.68
	43.0	7.33	3.55	7.74	3.60	8.15	3.60	8.36	3.60	8.95	3.60	9.34	3.60
	46.0	7.00	3.03	7.36	3.03	7.70	3.03	7.87	3.03	8.37	3.03	8.69	3.03
2.0+2.0+2.0	22.0	6.67	1.68	6.97	1.72	7.28	1.75	7.43	1.77	7.89	1.82	8.20	1.85
	25.0	6.48	1.75	6.79	1.78	7.09	1.81	7.25	1.83	7.71	1.88	8.01	1.91
	32.0	6.05	1.90	6.36	1.93	6.66	1.96	6.82	1.98	7.27	2.03	7.58	2.06
	35.0	5.87	1.97	6.17	2.00	6.48	2.04	6.63	2.05	7.09	2.10	7.39	2.13
	40.0	5.56	2.10	5.86	2.13	6.17	2.16	6.32	2.18	6.78	2.23	7.08	2.26
	43.0	5.37	2.18	5.68	2.21	5.98	2.24	6.14	2.26	6.59	2.31	6.90	2.34
	46.0	5.19	2.26	5.49	2.29	5.80	2.32	5.95	2.34	6.41	2.39	6.71	2.42
2.0+2.0+2.5	22.0	7.01	1.87	7.33	1.90	7.65	1.94	7.81	1.96	8.30	2.01	8.62	2.05
	25.0	6.82	1.93	7.14	1.97	7.46	2.01	7.62	2.02	8.10	2.08	8.42	2.11
	32.0	6.36	2.10	6.68	2.14	7.00	2.18	7.16	2.19	7.65	2.25	7.97	2.28
	35.0	6.17	2.18	6.49	2.22	6.81	2.25	6.97	2.27	7.45	2.33	7.77	2.36
	40.0	5.84	2.32	6.16	2.36	6.48	2.39	6.65	2.41	7.13	2.47	7.45	2.50
	43.0	5.65	2.41	5.97	2.45	6.29	2.48	6.45	2.50	6.93	2.55	7.25	2.59
	46.0	5.45	2.50	5.77	2.54	6.10	2.57	6.26	2.59	6.74	2.65	7.06	2.68
2.0+2.0+3.5	22.0	7.68	2.24	8.04	2.29	8.39	2.33	8.56	2.35	9.09	2.42	9.44	2.46
	25.0	7.47	2.32	7.82	2.37	8.18	2.41	8.35	2.43	8.88	2.50	9.23	2.54
	32.0	6.97	2.53	7.33	2.57	7.68	2.62	7.85	2.64	8.38	2.70	8.73	2.75
	35.0	6.76	2.62	7.11	2.67	7.46	2.71	7.64	2.73	8.17	2.80	8.52	2.84
	40.0	6.40	2.79	6.76	2.84	7.11	2.88	7.28	2.90	7.81	2.97	8.16	3.01
	43.0	6.19	2.90	6.54	2.94	6.89	2.98	7.07	3.01	7.60	3.07	7.95	3.12
	46.0	5.98	3.01	6.32	3.03	6.66	3.03	6.82	3.03	7.31	3.03	7.62	3.03

3D052453-3A

SYMBOLS

TC : Total capacity (kW)
PI : Power input (kW)

NOTES

Capacities are based on following conditions
Corresponding refrigerant piping length: 7.5 m
Level difference: 0 m

The above is the value for connecting with the following indoor units.
2.0 kW class; FTXS20D3VMW/L 2.5 kW class; FTXS25D3VMW/L
3.5 kW class; FTXS35D3VMW/L 5.0 kW class; FTXS50D2V1W/L
6.0 kW class; FTXS60EV1B 7.1 kW class; FTXS71EV1B

5 Capacity tables

5 - 2 Cooling capacity tables

5

5MKS90E

Cooling [50Hz 230V]

Combination (Capacity)	Outdoor air temp. °CDB	Indoor air temp.: °CWB											
		14°C		16°C		18°C		19°C		22°C		24°C	
		TC kW	PI kW	TC kW	PI kW	TC kW	PI kW	TC kW	PI kW	TC kW	PI kW	TC kW	PI kW
2.0+2.0+5.0	22.0	8.45	2.57	8.84	2.62	9.22	2.67	9.42	2.70	10.00	2.77	10.38	2.82
	25.0	8.21	2.66	8.60	2.71	8.99	2.76	9.18	2.79	9.76	2.87	10.15	2.92
	32.0	7.67	2.90	8.05	2.95	8.44	3.00	8.63	3.02	9.22	3.10	9.60	3.15
	35.0	7.43	3.01	7.82	3.06	8.21	3.11	8.40	3.13	8.98	3.21	9.37	3.26
	40.0	7.04	3.20	7.43	3.25	7.82	3.30	8.01	3.33	8.59	3.40	8.98	3.45
	43.0	6.81	3.32	7.19	3.37	7.58	3.42	7.77	3.45	8.35	3.52	8.74	3.57
	46.0	6.53	3.03	6.88	3.03	7.22	3.03	7.38	3.03	7.87	3.03	8.18	3.03
2.0+2.0+6.0	22.0	8.89	2.62	9.30	2.67	9.71	2.72	9.91	2.75	10.52	2.83	10.93	2.88
	25.0	8.65	2.72	9.05	2.77	9.46	2.82	9.66	2.84	10.27	2.92	10.68	2.97
	32.0	8.07	2.95	8.48	3.01	8.88	3.06	9.09	3.08	9.70	3.16	10.11	3.21
	35.0	7.82	3.07	8.23	3.12	8.64	3.17	8.84	3.19	9.45	3.27	9.86	3.32
	40.0	7.41	3.26	7.82	3.31	8.22	3.36	8.43	3.39	9.04	3.47	9.45	3.52
	43.0	7.16	3.39	7.57	3.44	7.98	3.49	8.18	3.51	8.79	3.59	9.18	3.60
	46.0	6.84	3.03	7.20	3.03	7.54	3.03	7.71	3.03	8.21	3.03	8.54	3.03
2.0+2.0+7.1	22.0	9.08	2.74	9.50	2.80	9.92	2.85	10.12	2.88	10.75	2.96	11.16	3.01
	25.0	8.83	2.84	9.25	2.90	9.66	2.95	9.87	2.98	10.49	3.06	10.91	3.11
	32.0	8.24	3.09	8.66	3.15	9.07	3.20	9.28	3.23	9.91	3.31	10.32	3.36
	35.0	7.99	3.21	8.41	3.26	8.82	3.32	9.03	3.34	9.65	3.42	10.07	3.48
	40.0	7.57	3.42	7.99	3.47	8.40	3.52	8.61	3.55	9.23	3.63	9.65	3.68
	43.0	7.32	3.55	7.73	3.60	8.14	3.60	8.35	3.60	8.94	3.60	9.33	3.60
	46.0	7.00	3.03	7.35	3.03	7.69	3.03	7.86	3.03	8.36	3.03	8.69	3.03
2.0+2.5+2.5	22.0	7.35	2.05	7.69	2.09	8.03	2.13	8.19	2.15	8.70	2.21	9.04	2.25
	25.0	7.15	2.12	7.49	2.16	7.82	2.20	7.99	2.22	8.50	2.28	8.83	2.32
	32.0	6.67	2.31	7.01	2.35	7.35	2.39	7.51	2.41	8.02	2.47	8.36	2.51
	35.0	6.47	2.39	6.80	2.43	7.14	2.47	7.31	2.49	7.82	2.55	8.15	2.59
	40.0	6.13	2.55	6.46	2.59	6.80	2.63	6.97	2.65	7.47	2.71	7.81	2.75
	43.0	5.92	2.64	6.26	2.68	6.60	2.72	6.77	2.74	7.27	2.80	7.61	2.84
	46.0	5.72	2.74	6.06	2.78	6.39	2.82	6.56	2.84	7.07	2.90	7.40	2.94
2.0+2.5+3.5	22.0	8.01	2.39	8.37	2.44	8.74	2.48	8.92	2.51	9.47	2.58	9.84	2.62
	25.0	7.78	2.48	8.15	2.52	8.52	2.57	8.70	2.59	9.25	2.66	9.62	2.71
	32.0	7.27	2.70	7.63	2.74	8.00	2.79	8.18	2.81	8.73	2.88	9.10	2.93
	35.0	7.04	2.80	7.41	2.84	7.78	2.89	7.96	2.91	8.51	2.98	8.88	3.03
	40.0	6.67	2.98	7.04	3.02	7.41	3.07	7.59	3.09	8.14	3.16	8.51	3.21
	43.0	6.45	3.09	6.82	3.14	7.18	3.18	7.37	3.21	7.92	3.27	8.28	3.32
	46.0	6.21	3.03	6.55	3.03	6.88	3.03	7.05	3.03	7.53	3.03	7.85	3.03
2.0+2.5+5.0	22.0	8.45	2.57	8.84	2.62	9.22	2.67	9.42	2.70	10.00	2.77	10.38	2.82
	25.0	8.21	2.66	8.60	2.71	8.99	2.76	9.18	2.79	9.76	2.87	10.15	2.92
	32.0	7.67	2.90	8.05	2.95	8.44	3.00	8.63	3.02	9.22	3.10	9.60	3.15
	35.0	7.43	3.01	7.82	3.06	8.21	3.11	8.40	3.13	8.98	3.21	9.37	3.26
	40.0	7.04	3.20	7.43	3.25	7.82	3.30	8.01	3.33	8.59	3.40	8.98	3.45
	43.0	6.81	3.32	7.19	3.37	7.58	3.42	7.77	3.45	8.35	3.52	8.74	3.57
	46.0	6.53	3.03	6.88	3.03	7.22	3.03	7.38	3.03	7.87	3.03	8.18	3.03

3D052453-3A

SYMBOLS

TC : Total capacity (kW)
PI : Power input (kW)

NOTES

Capacities are based on following conditions
Corresponding refrigerant piping length: 7.5 m
Level difference: 0 m

The above is the value for connecting with the following indoor units.
2.0 kW class; FTXS20D3VMW/L 2.5 kW class; FTXS25D3VMW/L
3.5 kW class; FTXS35D3VMW/L 5.0 kW class; FTXS50D2V1W/L
6.0 kW class; FTXS60EV1B 7.1 kW class; FTXS71EV1B

5 Capacity tables

5 - 2 Cooling capacity tables

5MKS90E		Cooling [50Hz 230V]											
Combination (Capacity)	Outdoor air temp. °CDB	Indoor air temp.: °CWB											
		14°C		16°C		18°C		19°C		22°C		24°C	
		TC kW	PI kW	TC kW	PI kW	TC kW	PI kW	TC kW	PI kW	TC kW	PI kW	TC kW	PI kW
2.0+2.5+6.0	22.0	8.89	2.62	9.30	2.67	9.71	2.72	9.91	2.75	10.52	2.83	10.93	2.88
	25.0	8.65	2.72	9.05	2.77	9.46	2.82	9.66	2.84	10.27	2.92	10.68	2.97
	32.0	8.07	2.95	8.48	3.01	8.88	3.06	9.09	3.08	9.70	3.16	10.11	3.21
	35.0	7.82	3.07	8.23	3.12	8.64	3.17	8.84	3.19	9.45	3.27	9.86	3.32
	40.0	7.41	3.26	7.82	3.31	8.22	3.36	8.43	3.39	9.04	3.47	9.45	3.52
	43.0	7.16	3.39	7.57	3.44	7.98	3.49	8.18	3.51	8.79	3.59	9.18	3.60
	46.0	6.84	3.03	7.20	3.03	7.54	3.03	7.71	3.03	8.21	3.03	8.54	3.03
2.0+2.5+7.1	22.0	9.08	2.74	9.50	2.80	9.92	2.85	10.12	2.88	10.75	2.96	11.16	3.01
	25.0	8.83	2.84	9.25	2.90	9.66	2.95	9.87	2.98	10.49	3.06	10.91	3.11
	32.0	8.24	3.09	8.66	3.15	9.07	3.20	9.28	3.23	9.91	3.31	10.32	3.36
	35.0	7.99	3.21	8.41	3.26	8.82	3.32	9.03	3.34	9.65	3.42	10.07	3.48
	40.0	7.57	3.42	7.99	3.47	8.40	3.52	8.61	3.55	9.23	3.63	9.65	3.68
	43.0	7.32	3.55	7.73	3.60	8.14	3.60	8.35	3.60	8.94	3.60	9.33	3.60
	46.0	7.00	3.03	7.35	3.03	7.69	3.03	7.86	3.03	8.36	3.03	8.69	3.03
2.0+3.5+3.5	22.0	8.28	2.56	8.66	2.61	9.04	2.66	9.23	2.68	9.80	2.75	10.17	2.80
	25.0	8.05	2.65	8.43	2.70	8.81	2.75	9.00	2.77	9.57	2.85	9.94	2.90
	32.0	7.51	2.88	7.89	2.93	8.27	2.98	8.46	3.01	9.03	3.08	9.41	3.13
	35.0	7.28	2.99	7.66	3.04	8.04	3.09	8.23	3.11	8.80	3.19	9.18	3.24
	40.0	6.90	3.18	7.28	3.23	7.66	3.28	7.85	3.30	8.42	3.38	8.79	3.43
	43.0	6.67	3.30	7.05	3.35	7.43	3.40	7.62	3.43	8.19	3.50	8.56	3.55
	46.0	6.41	3.03	6.75	3.03	7.09	3.03	7.25	3.03	7.73	3.03	8.04	3.03
2.0+3.5+5.0	22.0	8.45	2.57	8.84	2.62	9.22	2.67	9.42	2.70	10.00	2.77	10.38	2.82
	25.0	8.21	2.66	8.60	2.71	8.99	2.76	9.18	2.79	9.76	2.87	10.15	2.92
	32.0	7.67	2.90	8.05	2.95	8.44	3.00	8.63	3.02	9.22	3.10	9.60	3.15
	35.0	7.43	3.01	7.82	3.06	8.21	3.11	8.40	3.13	8.98	3.21	9.37	3.26
	40.0	7.04	3.20	7.43	3.25	7.82	3.30	8.01	3.33	8.59	3.40	8.98	3.45
	43.0	6.81	3.32	7.19	3.37	7.58	3.42	7.77	3.45	8.35	3.52	8.74	3.57
	46.0	6.53	3.03	6.88	3.03	7.22	3.03	7.38	3.03	7.87	3.03	8.18	3.03
2.0+3.5+6.0	22.0	9.07	2.74	9.49	2.79	9.90	2.84	10.11	2.87	10.74	2.95	11.15	3.00
	25.0	8.82	2.83	9.24	2.89	9.65	2.94	9.86	2.97	10.48	3.05	10.90	3.10
	32.0	8.23	3.08	8.65	3.14	9.06	3.19	9.27	3.22	9.90	3.30	10.31	3.35
	35.0	7.98	3.20	8.40	3.25	8.81	3.31	9.02	3.33	9.64	3.41	10.06	3.47
	40.0	7.56	3.40	7.98	3.46	8.39	3.51	8.60	3.54	9.22	3.62	9.64	3.67
	43.0	7.31	3.53	7.72	3.59	8.14	3.60	8.34	3.60	8.93	3.60	9.32	3.60
	46.0	6.99	3.03	7.34	3.03	7.69	3.03	7.86	3.03	8.35	3.03	8.68	3.03
2.0+3.5+7.1	22.0	9.09	2.79	9.51	2.84	9.93	2.89	10.13	2.92	10.76	3.00	11.18	3.06
	25.0	8.84	2.89	9.26	2.94	9.67	2.99	9.88	3.02	10.51	3.10	10.92	3.16
	32.0	8.25	3.14	8.67	3.19	9.08	3.25	9.29	3.28	9.92	3.36	10.33	3.41
	35.0	8.00	3.26	8.42	3.31	8.83	3.37	9.04	3.39	9.66	3.47	10.08	3.53
	40.0	7.58	3.47	7.99	3.52	8.41	3.57	8.62	3.60	9.24	3.68	9.66	3.74
	43.0	7.33	3.60	7.74	3.60	8.15	3.60	8.35	3.60	8.95	3.60	9.33	3.60
	46.0	7.02	3.03	7.37	3.03	7.71	3.03	7.88	3.03	8.38	3.03	8.70	3.03

3D052453-4A

SYMBOLS
 TC : Total capacity (kW)
 PI : Power input (kW)

NOTES
 Capacities are based on following conditions
 Corresponding refrigerant piping length: 7.5 m
 Level difference: 0 m

The above is the value for connecting with the following indoor units.
 2.0 kW class; FTXS20D3VMW/L 2.5 kW class; FTXS25D3VMW/L
 3.5 kW class; FTXS35D3VMW/L 5.0 kW class; FTXS50D2V1W/L
 6.0 kW class; FTXS60EV1B 7.1 kW class; FTXS71EV1B

5 Capacity tables

5 - 2 Cooling capacity tables

5

5MKS90E

Cooling [50Hz 230V]

Combination (Capacity)	Outdoor air temp. °CDB	Indoor air temp.: °CWB											
		14°C		16°C		18°C		19°C		22°C		24°C	
		TC kW	PI kW	TC kW	PI kW	TC kW	PI kW	TC kW	PI kW	TC kW	PI kW	TC kW	PI kW
2.0+5.0+5.0	22.0	8.92	2.79	9.33	2.85	9.74	2.90	9.94	2.93	10.56	3.01	10.97	3.07
	25.0	8.67	2.89	9.08	2.95	9.49	3.00	9.70	3.03	10.31	3.11	10.72	3.17
	32.0	8.10	3.15	8.50	3.20	8.91	3.26	9.12	3.29	9.73	3.37	10.14	3.42
	35.0	7.85	3.27	8.26	3.32	8.67	3.38	8.87	3.40	9.48	3.49	9.89	3.54
	40.0	7.44	3.48	7.84	3.53	8.25	3.59	8.46	3.61	9.07	3.69	9.48	3.75
	43.0	7.19	3.60	7.60	3.60	8.00	3.60	8.20	3.60	8.79	3.60	9.17	3.60
	46.0	6.91	3.03	7.26	3.03	7.60	3.03	7.76	3.03	8.25	3.03	8.57	3.03
2.0+5.0+6.0	22.0	9.25	2.76	9.68	2.82	10.10	2.87	10.31	2.90	10.95	2.98	11.37	3.03
	25.0	9.00	2.86	9.42	2.91	9.84	2.97	10.06	2.99	10.69	3.08	11.12	3.13
	32.0	8.40	3.11	8.82	3.17	9.25	3.22	9.46	3.25	10.09	3.33	10.52	3.38
	35.0	8.14	3.23	8.56	3.28	8.99	3.34	9.20	3.36	9.84	3.44	10.26	3.50
	40.0	7.71	3.44	8.14	3.49	8.56	3.54	8.77	3.57	9.41	3.65	9.83	3.70
	43.0	7.45	3.57	7.88	3.60	8.29	3.60	8.50	3.60	9.10	3.60	9.49	3.60
	46.0	7.11	3.03	7.47	3.03	7.82	3.03	7.99	3.03	8.49	3.03	8.82	3.03
2.0+5.0+7.1	22.0	9.27	2.76	9.70	2.82	10.12	2.87	10.34	2.90	10.97	2.98	11.40	3.03
	25.0	9.02	2.86	9.44	2.91	9.87	2.97	10.08	2.99	10.72	3.08	11.14	3.13
	32.0	8.42	3.11	8.84	3.17	9.27	3.22	9.48	3.25	10.11	3.33	10.54	3.38
	35.0	8.16	3.23	8.58	3.28	9.01	3.34	9.22	3.36	9.86	3.44	10.28	3.50
	40.0	7.73	3.44	8.15	3.49	8.58	3.54	8.79	3.57	9.43	3.65	9.85	3.70
	43.0	7.47	3.57	7.90	3.60	8.31	3.60	8.52	3.60	9.12	3.60	9.51	3.60
	46.0	7.13	3.03	7.48	3.03	7.83	3.03	8.00	3.03	8.51	3.03	8.84	3.03
2.0+6.0+6.0	22.0	9.70	2.82	10.14	2.87	10.58	2.93	10.81	2.96	11.47	3.04	11.92	3.09
	25.0	9.43	2.92	9.87	2.97	10.32	3.03	10.54	3.06	11.20	3.14	11.65	3.19
	32.0	8.80	3.18	9.24	3.23	9.69	3.29	9.91	3.31	10.58	3.40	11.02	3.45
	35.0	8.53	3.30	8.97	3.35	9.42	3.41	9.64	3.43	10.31	3.52	10.75	3.57
	40.0	8.08	3.51	8.52	3.56	8.97	3.62	9.19	3.64	9.86	3.73	10.29	3.75
	43.0	7.81	3.60	8.25	3.60	8.67	3.60	8.88	3.60	9.50	3.60	9.90	3.60
	46.0	7.41	3.03	7.77	3.03	8.13	3.03	8.31	3.03	8.82	3.03	9.16	3.03
2.0+6.0+7.1	22.0	10.16	3.26	10.62	3.33	11.09	3.39	11.32	3.42	12.02	3.52	12.49	3.58
	25.0	9.88	3.38	10.34	3.44	10.81	3.51	11.04	3.54	11.74	3.63	12.20	3.70
	32.0	9.22	3.68	9.68	3.74	10.15	3.80	10.38	3.84	11.08	3.93	11.55	4.00
	35.0	8.94	3.82	9.40	3.88	9.87	3.94	10.10	3.97	10.79	4.02	11.23	4.02
	40.0	8.47	3.75	8.93	3.75	9.40	3.75	9.61	3.75	10.25	3.75	10.66	3.75
	43.0	8.18	3.60	8.65	3.60	9.11	3.60	9.35	3.60	9.96	3.60	10.36	3.60
	46.0	7.90	3.03	8.27	3.03	8.62	3.03	8.79	3.03	9.30	3.03	9.63	3.03
2.5+2.5+2.5	22.0	7.68	2.24	8.04	2.29	8.39	2.33	8.56	2.35	9.09	2.42	9.44	2.46
	25.0	7.47	2.32	7.82	2.37	8.18	2.41	8.35	2.43	8.88	2.50	9.23	2.54
	32.0	6.97	2.53	7.33	2.57	7.68	2.62	7.85	2.64	8.38	2.70	8.73	2.75
	35.0	6.76	2.62	7.11	2.67	7.46	2.71	7.64	2.73	8.17	2.80	8.52	2.84
	40.0	6.40	2.79	6.76	2.84	7.11	2.88	7.28	2.90	7.81	2.97	8.16	3.01
	43.0	6.19	2.90	6.54	2.94	6.89	2.98	7.07	3.01	7.60	3.07	7.95	3.12
	46.0	5.98	3.01	6.32	3.03	6.66	3.03	6.82	3.03	7.31	3.03	7.62	3.03

3D052453-4A

SYMBOLS

TC : Total capacity (kW)
PI : Power input (kW)

NOTES

Capacities are based on following conditions
Corresponding refrigerant piping length: 7.5 m
Level difference: 0 m

The above is the value for connecting with the following indoor units.
2.0 kW class; FTXS20D3VMW/L
3.5 kW class; FTXS35D3VMW/L
6.0 kW class; FTXS60EV1B
2.5 kW class; FTXS25D3VMW/L
5.0 kW class; FTXS50D2V1W/L
7.1 kW class; FTXS71EV1B

5 Capacity tables

5 - 2 Cooling capacity tables

5MKS90E

Cooling [50Hz 230V]

Combination (Capacity)	Outdoor air temp. °CDB	Indoor air temp.: °CWB											
		14°C		16°C		18°C		19°C		22°C		24°C	
		TC kW	PI kW	TC kW	PI kW	TC kW	PI kW	TC kW	PI kW	TC kW	PI kW	TC kW	PI kW
2.5+2.5+3.5	22.0	8.10	2.45	8.47	2.50	8.84	2.54	9.02	2.57	9.58	2.64	9.95	2.69
	25.0	7.87	2.54	8.24	2.58	8.61	2.63	8.80	2.66	9.36	2.73	9.73	2.78
	32.0	7.35	2.76	7.72	2.81	8.09	2.86	8.27	2.88	8.83	2.95	9.20	3.00
	35.0	7.12	2.86	7.49	2.91	7.86	2.96	8.05	2.98	8.61	3.05	8.98	3.10
	40.0	6.75	3.05	7.12	3.09	7.49	3.14	7.68	3.17	8.23	3.24	8.60	3.29
	43.0	6.52	3.16	6.89	3.21	7.26	3.26	7.45	3.28	8.01	3.35	8.38	3.40
	46.0	6.27	3.03	6.61	3.03	6.95	3.03	7.11	3.03	7.59	3.03	7.91	3.03
2.5+2.5+5.0	22.0	8.45	2.57	8.84	2.62	9.22	2.67	9.42	2.70	10.00	2.77	10.38	2.82
	25.0	8.21	2.66	8.60	2.71	8.99	2.76	9.18	2.79	9.76	2.87	10.15	2.92
	32.0	7.67	2.90	8.05	2.95	8.44	3.00	8.63	3.02	9.22	3.10	9.60	3.15
	35.0	7.43	3.01	7.82	3.06	8.21	3.11	8.40	3.13	8.98	3.21	9.37	3.26
	40.0	7.04	3.20	7.43	3.25	7.82	3.30	8.01	3.33	8.59	3.40	8.98	3.45
	43.0	6.81	3.32	7.19	3.37	7.58	3.42	7.77	3.45	8.35	3.52	8.74	3.57
	46.0	6.53	3.03	6.88	3.03	7.22	3.03	7.38	3.03	7.87	3.03	8.18	3.03
2.5+2.5+6.0	22.0	8.89	2.62	9.30	2.67	9.71	2.72	9.91	2.75	10.52	2.83	10.93	2.88
	25.0	8.65	2.72	9.05	2.77	9.46	2.82	9.66	2.84	10.27	2.92	10.68	2.97
	32.0	8.07	2.95	8.48	3.01	8.88	3.06	9.09	3.08	9.70	3.16	10.11	3.21
	35.0	7.82	3.07	8.23	3.12	8.64	3.17	8.84	3.19	9.45	3.27	9.86	3.32
	40.0	7.41	3.26	7.82	3.31	8.22	3.36	8.43	3.39	9.04	3.47	9.45	3.52
	43.0	7.16	3.39	7.57	3.44	7.98	3.49	8.18	3.51	8.79	3.59	9.18	3.60
	46.0	6.84	3.03	7.20	3.03	7.54	3.03	7.71	3.03	8.21	3.03	8.54	3.03
2.5+2.5+7.1	22.0	9.08	2.74	9.50	2.80	9.92	2.85	10.12	2.88	10.75	2.96	11.16	3.01
	25.0	8.83	2.84	9.25	2.90	9.66	2.95	9.87	2.98	10.49	3.06	10.91	3.11
	32.0	8.24	3.09	8.66	3.15	9.07	3.20	9.28	3.23	9.91	3.31	10.32	3.36
	35.0	7.99	3.21	8.41	3.26	8.82	3.32	9.03	3.34	9.65	3.42	10.07	3.48
	40.0	7.57	3.42	7.99	3.47	8.40	3.52	8.61	3.55	9.23	3.63	9.65	3.68
	43.0	7.32	3.55	7.73	3.60	8.14	3.60	8.35	3.60	8.94	3.60	9.33	3.60
	46.0	7.00	3.03	7.35	3.03	7.69	3.03	7.86	3.03	8.36	3.03	8.69	3.03
2.5+3.5+3.5	22.0	8.28	2.56	8.66	2.61	9.04	2.66	9.23	2.68	9.80	2.75	10.17	2.80
	25.0	8.05	2.65	8.43	2.70	8.81	2.75	9.00	2.77	9.57	2.85	9.94	2.90
	32.0	7.51	2.88	7.89	2.93	8.27	2.98	8.46	3.01	9.03	3.08	9.41	3.13
	35.0	7.28	2.99	7.66	3.04	8.04	3.09	8.23	3.11	8.80	3.19	9.18	3.24
	40.0	6.90	3.18	7.28	3.23	7.66	3.28	7.85	3.30	8.42	3.38	8.79	3.43
	43.0	6.67	3.30	7.05	3.35	7.43	3.40	7.62	3.43	8.19	3.50	8.56	3.55
	46.0	6.41	3.03	6.75	3.03	7.09	3.03	7.25	3.03	7.73	3.03	8.04	3.03
2.5+3.5+5.0	22.0	8.55	2.65	8.94	2.70	9.33	2.75	9.53	2.78	10.12	2.85	10.51	2.90
	25.0	8.31	2.74	8.70	2.79	9.10	2.84	9.29	2.87	9.88	2.95	10.27	3.00
	32.0	7.76	2.98	8.15	3.03	8.54	3.09	8.74	3.11	9.32	3.19	9.72	3.24
	35.0	7.52	3.09	7.91	3.15	8.30	3.20	8.50	3.22	9.09	3.30	9.48	3.35
	40.0	7.13	3.29	7.52	3.34	7.91	3.40	8.10	3.42	8.69	3.50	9.08	3.55
	43.0	6.89	3.42	7.28	3.47	7.67	3.52	7.87	3.55	8.45	3.60	8.83	3.60
	46.0	6.62	3.03	6.96	3.03	7.30	3.03	7.46	3.03	7.95	3.03	8.26	3.03

3D052453-5A

SYMBOLS

TC : Total capacity (kW)
PI : Power input (kW)

NOTES

Capacities are based on following conditions
Corresponding refrigerant piping length: 7.5 m
Level difference: 0 m

The above is the value for connecting with the following indoor units.
2.0 kW class; FTXS20D3VMW/L 2.5 kW class; FTXS25D3VMW/L
3.5 kW class; FTXS35D3VMW/L 5.0 kW class; FTXS50D2V1W/L
6.0 kW class; FTXS60EV1B 7.1 kW class; FTXS71EV1B

5 Capacity tables

5 - 2 Cooling capacity tables

5

5MKS90E

Cooling [50Hz 230V]

Combination (Capacity)	Outdoor air temp. °CDB	Indoor air temp.: °CWB											
		14°C		16°C		18°C		19°C		22°C		24°C	
		TC kW	PI kW	TC kW	PI kW	TC kW	PI kW	TC kW	PI kW	TC kW	PI kW	TC kW	PI kW
2.5+3.5+6.0	22.0	9.07	2.74	9.49	2.79	9.90	2.84	10.11	2.87	10.74	2.95	11.15	3.00
	25.0	8.82	2.83	9.24	2.89	9.65	2.94	9.86	2.97	10.48	3.05	10.90	3.10
	32.0	8.23	3.08	8.65	3.14	9.06	3.19	9.27	3.22	9.90	3.30	10.31	3.35
	35.0	7.98	3.20	8.40	3.25	8.81	3.31	9.02	3.33	9.64	3.41	10.06	3.47
	40.0	7.56	3.40	7.98	3.46	8.39	3.51	8.60	3.54	9.22	3.62	9.64	3.67
	43.0	7.31	3.53	7.72	3.59	8.14	3.60	8.34	3.60	8.93	3.60	9.32	3.60
	46.0	6.99	3.03	7.34	3.03	7.69	3.03	7.86	3.03	8.35	3.03	8.68	3.03
2.5+3.5+7.1	22.0	9.09	2.79	9.51	2.84	9.93	2.89	10.13	2.92	10.76	3.00	11.18	3.06
	25.0	8.84	2.89	9.26	2.94	9.67	2.99	9.88	3.02	10.51	3.10	10.92	3.16
	32.0	8.25	3.14	8.67	3.19	9.08	3.25	9.29	3.28	9.92	3.36	10.33	3.41
	35.0	8.00	3.26	8.42	3.31	8.83	3.37	9.04	3.39	9.66	3.47	10.08	3.53
	40.0	7.58	3.47	7.99	3.52	8.41	3.57	8.62	3.60	9.24	3.68	9.66	3.74
	43.0	7.33	3.60	7.74	3.60	8.15	3.60	8.35	3.60	8.95	3.60	9.33	3.60
	46.0	7.02	3.03	7.37	3.03	7.71	3.03	7.88	3.03	8.38	3.03	8.70	3.03
2.5+5.0+5.0	22.0	9.10	2.95	9.52	3.01	9.94	3.07	10.15	3.09	10.77	3.18	11.19	3.24
	25.0	8.85	3.06	9.27	3.11	9.68	3.17	9.89	3.20	10.52	3.29	10.94	3.34
	32.0	8.26	3.33	8.68	3.38	9.09	3.44	9.30	3.47	9.93	3.56	10.35	3.61
	35.0	8.01	3.45	8.42	3.51	8.84	3.57	9.05	3.59	9.68	3.68	10.09	3.74
	40.0	7.59	3.67	8.00	3.73	8.42	3.75	8.63	3.75	9.24	3.75	9.63	3.75
	43.0	7.33	3.60	7.75	3.60	8.17	3.60	8.38	3.60	8.97	3.60	9.35	3.60
	46.0	7.08	3.03	7.45	3.03	7.78	3.03	7.95	3.03	8.43	3.03	8.75	3.03
2.5+5.0+6.0	22.0	9.25	2.76	9.68	2.82	10.10	2.87	10.31	2.90	10.95	2.98	11.37	3.03
	25.0	9.00	2.86	9.42	2.91	9.84	2.97	10.06	2.99	10.69	3.08	11.12	3.13
	32.0	8.40	3.11	8.82	3.17	9.25	3.22	9.46	3.25	10.09	3.33	10.52	3.38
	35.0	8.14	3.23	8.56	3.28	8.99	3.34	9.20	3.36	9.84	3.44	10.26	3.50
	40.0	7.71	3.44	8.14	3.49	8.56	3.54	8.77	3.57	9.41	3.65	9.83	3.70
	43.0	7.45	3.57	7.88	3.60	8.29	3.60	8.50	3.60	9.10	3.60	9.49	3.60
	46.0	7.11	3.03	7.47	3.03	7.82	3.03	7.99	3.03	8.49	3.03	8.82	3.03
2.5+5.0+7.1	22.0	9.27	2.76	9.70	2.82	10.12	2.87	10.34	2.90	10.97	2.98	11.40	3.03
	25.0	9.02	2.86	9.44	2.91	9.87	2.97	10.08	2.99	10.72	3.08	11.14	3.13
	32.0	8.42	3.11	8.84	3.17	9.27	3.22	9.48	3.25	10.11	3.33	10.54	3.38
	35.0	8.16	3.23	8.58	3.28	9.01	3.34	9.22	3.36	9.86	3.44	10.28	3.50
	40.0	7.73	3.44	8.15	3.49	8.58	3.54	8.79	3.57	9.43	3.65	9.85	3.70
	43.0	7.47	3.57	7.90	3.60	8.31	3.60	8.52	3.60	9.12	3.60	9.51	3.60
	46.0	7.13	3.03	7.48	3.03	7.83	3.03	8.00	3.03	8.51	3.03	8.84	3.03
2.5+6.0+6.0	22.0	9.70	2.82	10.14	2.87	10.58	2.93	10.81	2.96	11.47	3.04	11.92	3.09
	25.0	9.43	2.92	9.87	2.97	10.32	3.03	10.54	3.06	11.20	3.14	11.65	3.19
	32.0	8.80	3.18	9.24	3.23	9.69	3.29	9.91	3.31	10.58	3.40	11.02	3.45
	35.0	8.53	3.30	8.97	3.35	9.42	3.41	9.64	3.43	10.31	3.52	10.75	3.57
	40.0	8.08	3.51	8.52	3.56	8.97	3.62	9.19	3.64	9.86	3.73	10.29	3.75
	43.0	7.81	3.60	8.25	3.60	8.67	3.60	8.88	3.60	9.50	3.60	9.90	3.60
	46.0	7.41	3.03	7.77	3.03	8.13	3.03	8.31	3.03	8.82	3.03	9.16	3.03

3D052453-5A

SYMBOLS

TC : Total capacity (kW)
PI : Power input (kW)

NOTES

Capacities are based on following conditions
Corresponding refrigerant piping length: 7.5 m
Level difference: 0 m

The above is the value for connecting with the following indoor units.
2.0 kW class; FTXS20D3VMW/L 2.5 kW class; FTXS25D3VMW/L
3.5 kW class; FTXS35D3VMW/L 5.0 kW class; FTXS50D2V1W/L
6.0 kW class; FTXS60EV1B 7.1 kW class; FTXS71EV1B

5 Capacity tables

5 - 2 Cooling capacity tables

5MKS90E		Cooling [50Hz 230V]											
Combination (Capacity)	Outdoor air temp. °CDB	Indoor air temp.: °CWB											
		14°C		16°C		18°C		19°C		22°C		24°C	
		TC kW	PI kW	TC kW	PI kW	TC kW	PI kW	TC kW	PI kW	TC kW	PI kW	TC kW	PI kW
2.5+6.0+7.1	22.0	10.16	3.26	10.62	3.33	11.09	3.39	11.32	3.42	12.02	3.52	12.49	3.58
	25.0	9.88	3.38	10.34	3.44	10.81	3.51	11.04	3.54	11.74	3.63	12.20	3.70
	32.0	9.22	3.68	9.68	3.74	10.15	3.80	10.38	3.84	11.08	3.93	11.55	4.00
	35.0	8.94	3.82	9.40	3.88	9.87	3.94	10.10	3.97	10.79	4.02	11.23	4.02
	40.0	8.47	3.75	8.93	3.75	9.40	3.75	9.61	3.75	10.25	3.75	10.66	3.75
	43.0	8.18	3.60	8.65	3.60	9.11	3.60	9.35	3.60	9.96	3.60	10.36	3.60
	46.0	7.90	3.03	8.27	3.03	8.62	3.03	8.79	3.03	9.30	3.03	9.63	3.03
3.5+3.5+3.5	22.0	8.40	2.66	8.78	2.71	9.17	2.77	9.36	2.79	9.94	2.87	10.32	2.92
	25.0	8.17	2.76	8.55	2.81	8.94	2.86	9.13	2.89	9.70	2.97	10.09	3.02
	32.0	7.62	3.00	8.01	3.05	8.39	3.10	8.58	3.13	9.16	3.21	9.55	3.26
	35.0	7.39	3.11	7.77	3.17	8.16	3.22	8.35	3.24	8.93	3.32	9.31	3.37
	40.0	7.00	3.31	7.38	3.36	7.77	3.42	7.96	3.44	8.54	3.52	8.92	3.57
	43.0	6.77	3.44	7.15	3.49	7.54	3.54	7.73	3.57	8.30	3.60	8.67	3.60
	46.0	6.53	3.03	6.86	3.03	7.19	3.03	7.35	3.03	7.83	3.03	8.14	3.03
3.5+3.5+5.0	22.0	8.93	2.93	9.34	2.99	9.75	3.05	9.96	3.08	10.57	3.16	10.98	3.22
	25.0	8.68	3.04	9.09	3.10	9.50	3.15	9.71	3.18	10.32	3.27	10.73	3.32
	32.0	8.11	3.31	8.51	3.36	8.92	3.42	9.13	3.45	9.74	3.54	10.15	3.59
	35.0	7.86	3.43	8.27	3.49	8.68	3.55	8.88	3.57	9.49	3.66	9.90	3.72
	40.0	7.44	3.65	7.85	3.71	8.26	3.75	8.47	3.75	9.07	3.75	9.46	3.75
	43.0	7.20	3.60	7.60	3.60	8.01	3.60	8.22	3.60	8.81	3.60	9.19	3.60
	46.0	6.95	3.03	7.33	3.03	7.66	3.03	7.83	3.03	8.31	3.03	8.62	3.03
3.5+3.5+6.0	22.0	9.08	2.74	9.50	2.79	9.92	2.84	10.12	2.87	10.75	2.95	11.16	3.00
	25.0	8.83	2.83	9.25	2.89	9.66	2.94	9.87	2.97	10.49	3.05	10.91	3.10
	32.0	8.24	3.08	8.66	3.14	9.07	3.19	9.28	3.22	9.91	3.30	10.32	3.35
	35.0	7.99	3.20	8.41	3.25	8.82	3.31	9.03	3.33	9.65	3.41	10.07	3.47
	40.0	7.57	3.40	7.99	3.46	8.40	3.51	8.61	3.54	9.23	3.62	9.65	3.67
	43.0	7.32	3.53	7.73	3.59	8.15	3.60	8.35	3.60	8.94	3.60	9.33	3.60
	46.0	7.00	3.03	7.35	3.03	7.69	3.03	7.86	3.03	8.36	3.03	8.69	3.03
3.5+3.5+7.1	22.0	9.10	2.74	9.52	2.80	9.94	2.85	10.15	2.88	10.77	2.96	11.19	3.01
	25.0	8.85	2.84	9.27	2.90	9.68	2.95	9.89	2.98	10.52	3.06	10.94	3.11
	32.0	8.26	3.09	8.68	3.15	9.09	3.20	9.30	3.23	9.93	3.31	10.35	3.36
	35.0	8.01	3.21	8.42	3.26	8.84	3.32	9.05	3.34	9.68	3.42	10.09	3.48
	40.0	7.59	3.42	8.00	3.47	8.42	3.52	8.63	3.55	9.25	3.63	9.67	3.68
	43.0	7.33	3.55	7.75	3.60	8.16	3.60	8.37	3.60	8.96	3.60	9.35	3.60
	46.0	7.01	3.03	7.36	3.03	7.71	3.03	7.88	3.03	8.38	3.03	8.70	3.03
3.5+5.0+5.0	22.0	9.11	2.95	9.53	3.01	9.95	3.07	10.16	3.09	10.78	3.18	11.20	3.24
	25.0	8.86	3.06	9.28	3.11	9.70	3.17	9.90	3.20	10.53	3.29	10.95	3.34
	32.0	8.27	3.33	8.69	3.38	9.10	3.44	9.31	3.47	9.94	3.56	10.36	3.61
	35.0	8.02	3.45	8.43	3.51	8.85	3.57	9.06	3.59	9.69	3.68	10.10	3.74
	40.0	7.59	3.67	8.01	3.73	8.43	3.75	8.64	3.75	9.25	3.75	9.64	3.75
	43.0	7.34	3.60	7.76	3.60	8.18	3.60	8.39	3.60	8.98	3.60	9.35	3.60
	46.0	7.09	3.03	7.45	3.03	7.79	3.03	7.95	3.03	8.44	3.03	8.76	3.03

3D052453-6A

SYMBOLS

TC : Total capacity (kW)
PI : Power input (kW)

NOTES

Capacities are based on following conditions
Corresponding refrigerant piping length: 7.5 m
Level difference: 0 m

The above is the value for connecting with the following indoor units.
2.0 kW class; FTXS20D3VMW/L 2.5 kW class; FTXS25D3VMW/L
3.5 kW class; FTXS35D3VMW/L 5.0 kW class; FTXS50D2V1W/L
6.0 kW class; FTXS60EV1B 7.1 kW class; FTXS71EV1B

5 Capacity tables

5 - 2 Cooling capacity tables

5

5MKS90E

Cooling [50Hz 230V]

Combination (Capacity)	Outdoor air temp. °CDB	Indoor air temp.: °CWB											
		14°C		16°C		18°C		19°C		22°C		24°C	
		TC kW	PI kW	TC kW	PI kW	TC kW	PI kW	TC kW	PI kW	TC kW	PI kW	TC kW	PI kW
3.5+5.0+6.0	22.0	9.26	2.76	9.69	2.82	10.11	2.87	10.32	2.90	10.96	2.98	11.39	3.03
	25.0	9.01	2.86	9.43	2.91	9.86	2.97	10.07	2.99	10.70	3.08	11.13	3.13
	32.0	8.41	3.11	8.83	3.17	9.26	3.22	9.47	3.25	10.10	3.33	10.53	3.38
	35.0	8.15	3.23	8.57	3.28	9.00	3.34	9.21	3.36	9.85	3.44	10.27	3.50
	40.0	7.72	3.44	8.14	3.49	8.57	3.54	8.78	3.57	9.42	3.65	9.84	3.70
	43.0	7.46	3.57	7.89	3.60	8.30	3.60	8.51	3.60	9.11	3.60	9.50	3.60
	46.0	7.12	3.03	7.47	3.03	7.82	3.03	7.99	3.03	8.50	3.03	8.83	3.03
3.5+5.0+7.1	22.0	9.71	3.19	10.15	3.25	10.60	3.31	10.82	3.34	11.49	3.44	11.93	3.50
	25.0	9.44	3.30	9.88	3.37	10.33	3.43	10.55	3.46	11.22	3.55	11.66	3.61
	32.0	8.81	3.59	9.25	3.66	9.70	3.72	9.92	3.75	10.59	3.84	11.03	3.90
	35.0	8.54	3.73	8.98	3.79	9.43	3.85	9.65	3.88	10.32	3.98	10.76	4.02
	40.0	8.09	3.75	8.53	3.75	8.98	3.75	9.20	3.75	9.83	3.75	10.23	3.75
	43.0	7.82	3.60	8.26	3.60	8.71	3.60	8.93	3.60	9.56	3.60	9.95	3.60
	46.0	7.55	3.03	7.96	3.03	8.30	3.03	8.47	3.03	8.96	3.03	9.28	3.03
3.5+6.0+6.0	22.0	10.14	3.26	10.60	3.33	11.07	3.39	11.30	3.42	12.00	3.52	12.46	3.58
	25.0	9.86	3.38	10.32	3.44	10.79	3.51	11.02	3.54	11.72	3.63	12.18	3.70
	32.0	9.20	3.68	9.67	3.74	10.13	3.80	10.36	3.84	11.06	3.93	11.52	4.00
	35.0	8.92	3.82	9.38	3.88	9.85	3.94	10.08	3.97	10.76	4.02	11.21	4.02
	40.0	8.45	3.75	8.91	3.75	9.38	3.75	9.60	3.75	10.23	3.75	10.64	3.75
	43.0	8.17	3.60	8.63	3.60	9.10	3.60	9.33	3.60	9.95	3.60	10.34	3.60
	46.0	7.89	3.03	8.26	3.03	8.61	3.03	8.78	3.03	9.28	3.03	9.61	3.03
5.0+5.0+5.0	22.0	9.55	3.32	9.98	3.38	10.42	3.45	10.64	3.48	11.29	3.58	11.73	3.64
	25.0	9.28	3.44	9.72	3.50	10.16	3.57	10.37	3.60	11.03	3.70	11.47	3.76
	32.0	8.66	3.74	9.10	3.81	9.54	3.87	9.76	3.90	10.41	4.00	10.85	4.07
	35.0	8.40	3.88	8.83	3.95	9.27	4.01	9.49	4.02	10.14	4.02	10.56	4.02
	40.0	7.96	3.75	8.39	3.75	8.83	3.75	9.05	3.75	9.70	3.75	10.12	3.75
	43.0	7.69	3.60	8.13	3.60	8.56	3.60	8.78	3.60	9.44	3.60	9.88	3.60
	46.0	7.42	3.03	7.86	3.03	8.30	3.03	8.47	3.03	8.95	3.03	9.27	3.03
2.0+2.0+2.0+2.0	22.0	8.01	1.99	8.37	2.03	8.74	2.07	8.92	2.09	9.47	2.14	9.84	2.18
	25.0	7.78	2.06	8.15	2.10	8.52	2.14	8.70	2.16	9.25	2.22	9.62	2.25
	32.0	7.27	2.24	7.63	2.28	8.00	2.32	8.18	2.34	8.73	2.40	9.10	2.44
	35.0	7.04	2.33	7.41	2.36	7.78	2.40	7.96	2.42	8.51	2.48	8.88	2.52
	40.0	6.67	2.47	7.04	2.51	7.41	2.55	7.59	2.57	8.14	2.63	8.51	2.67
	43.0	6.45	2.57	6.82	2.61	7.18	2.65	7.37	2.67	7.92	2.72	8.28	2.76
	46.0	6.23	2.67	6.59	2.71	6.96	2.74	7.14	2.76	7.69	2.82	8.06	2.86
2.0+2.0+2.0+2.5	22.0	8.30	2.14	8.68	2.19	9.06	2.23	9.25	2.25	9.82	2.31	10.20	2.35
	25.0	8.07	2.22	8.45	2.26	8.83	2.31	9.02	2.33	9.59	2.39	9.97	2.43
	32.0	7.53	2.42	7.91	2.46	8.29	2.50	8.48	2.52	9.05	2.58	9.43	2.63
	35.0	7.30	2.51	7.68	2.55	8.06	2.59	8.25	2.61	8.82	2.68	9.20	2.72
	40.0	6.92	2.67	7.30	2.71	7.68	2.75	7.87	2.77	8.44	2.84	8.82	2.88
	43.0	6.69	2.77	7.07	2.81	7.45	2.85	7.64	2.87	8.21	2.94	8.59	2.98
	46.0	6.45	2.88	6.83	2.92	7.21	2.96	7.40	2.98	7.97	3.03	8.31	3.03

3D052453-6A

SYMBOLS

TC : Total capacity (kW)
PI : Power input (kW)

NOTES

Capacities are based on following conditions
Corresponding refrigerant piping length: 7.5 m
Level difference: 0 m

The above is the value for connecting with the following indoor units.
2.0 kW class; FTXS20D3VMW/L
2.5 kW class; FTXS25D3VMW/L
3.5 kW class; FTXS35D3VMW/L
5.0 kW class; FTXS50D2V1W/L
6.0 kW class; FTXS60EV1B
7.1 kW class; FTXS71EV1B

5 Capacity tables

5 - 2 Cooling capacity tables

Combination (Capacity)		Outdoor air temp. °CDB		Indoor air temp.: °CWB											
				14°C		16°C		18°C		19°C		22°C		24°C	
				TC kW	PI kW	TC kW	PI kW	TC kW	PI kW	TC kW	PI kW	TC kW	PI kW	TC kW	PI kW
2.0+2.0+2.0+3.5	22.0	8.83	2.46	9.24	2.51	9.64	2.55	9.84	2.58	10.45	2.65	10.85	2.70		
	25.0	8.59	2.55	8.99	2.59	9.40	2.64	9.60	2.67	10.20	2.74	10.61	2.78		
	32.0	8.01	2.77	8.42	2.82	8.82	2.87	9.03	2.89	9.63	2.96	10.04	3.01		
	35.0	7.77	2.87	8.17	2.92	8.58	2.97	8.78	2.99	9.39	3.06	9.79	3.11		
	40.0	7.36	3.06	7.76	3.11	8.17	3.15	8.37	3.18	8.98	3.25	9.38	3.30		
	43.0	7.11	3.17	7.52	3.22	7.92	3.27	8.13	3.29	8.73	3.36	9.14	3.41		
	46.0	6.80	3.03	7.16	3.03	7.52	3.03	7.69	3.03	8.21	3.03	8.54	3.03		
2.0+2.0+2.0+5.0	22.0	9.08	2.65	9.50	2.70	9.92	2.75	10.12	2.78	10.75	2.85	11.16	2.90		
	25.0	8.83	2.74	9.25	2.79	9.66	2.84	9.87	2.87	10.49	2.95	10.91	3.00		
	32.0	8.24	2.98	8.66	3.03	9.07	3.09	9.28	3.11	9.91	3.19	10.32	3.24		
	35.0	7.99	3.09	8.41	3.15	8.82	3.20	9.03	3.22	9.65	3.30	10.07	3.35		
	40.0	7.57	3.29	7.99	3.34	8.40	3.40	8.61	3.42	9.23	3.50	9.65	3.55		
	43.0	7.32	3.42	7.73	3.47	8.15	3.52	8.36	3.55	8.97	3.60	9.37	3.60		
	46.0	6.97	3.03	7.33	3.03	7.68	3.03	7.85	3.03	8.36	3.03	8.69	3.03		
2.0+2.0+2.0+6.0	22.0	9.71	2.82	10.15	2.87	10.60	2.93	10.82	2.96	11.49	3.04	11.93	3.09		
	25.0	9.44	2.92	9.88	2.97	10.33	3.03	10.55	3.06	11.22	3.14	11.66	3.19		
	32.0	8.81	3.18	9.25	3.23	9.70	3.29	9.92	3.31	10.59	3.40	11.03	3.45		
	35.0	8.54	3.30	8.98	3.35	9.43	3.41	9.65	3.43	10.32	3.52	10.76	3.57		
	40.0	8.09	3.51	8.53	3.56	8.98	3.62	9.20	3.64	9.87	3.73	10.30	3.75		
	43.0	7.82	3.60	8.26	3.60	8.68	3.60	8.89	3.60	9.51	3.60	9.91	3.60		
	46.0	7.41	3.03	7.78	3.03	8.14	3.03	8.31	3.03	8.83	3.03	9.17	3.03		
2.0+2.0+2.0+7.1	22.0	9.74	2.83	10.18	2.88	10.63	2.94	10.85	2.96	11.52	3.05	11.97	3.10		
	25.0	9.47	2.93	9.91	2.98	10.36	3.04	10.58	3.07	11.25	3.15	11.70	3.20		
	32.0	8.84	3.19	9.28	3.24	9.73	3.30	9.95	3.32	10.62	3.41	11.07	3.46		
	35.0	8.57	3.31	9.01	3.36	9.46	3.42	9.68	3.44	10.35	3.53	10.79	3.58		
	40.0	8.11	3.52	8.56	3.57	9.01	3.63	9.23	3.65	9.90	3.74	10.33	3.75		
	43.0	7.84	3.60	8.28	3.60	8.71	3.60	8.92	3.60	9.54	3.60	9.94	3.60		
	46.0	7.44	3.03	7.80	3.03	8.16	3.03	8.33	3.03	8.85	3.03	9.19	3.03		
2.0+2.0+2.5+2.5	22.0	8.58	2.29	8.97	2.34	9.37	2.38	9.56	2.40	10.15	2.47	10.55	2.52		
	25.0	8.34	2.38	8.73	2.42	9.13	2.46	9.32	2.49	9.91	2.55	10.31	2.60		
	32.0	7.79	2.58	8.18	2.63	8.57	2.67	8.77	2.70	9.36	2.76	9.75	2.81		
	35.0	7.55	2.68	7.94	2.73	8.33	2.77	8.53	2.79	9.12	2.86	9.51	2.90		
	40.0	7.15	2.85	7.54	2.90	7.94	2.94	8.13	2.96	8.72	3.03	9.12	3.08		
	43.0	6.91	2.96	7.31	3.01	7.70	3.05	7.89	3.07	8.48	3.14	8.88	3.18		
	46.0	6.66	3.03	7.03	3.03	7.39	3.03	7.57	3.03	8.09	3.03	8.43	3.03		
2.0+2.0+2.5+3.5	22.0	8.91	2.63	9.32	2.68	9.73	2.73	9.93	2.76	10.54	2.83	10.95	2.89		
	25.0	8.66	2.72	9.07	2.78	9.48	2.83	9.69	2.85	10.30	2.93	10.71	2.98		
	32.0	8.09	2.96	8.50	3.02	8.90	3.07	9.11	3.09	9.72	3.17	10.13	3.22		
	35.0	7.84	3.08	8.25	3.13	8.66	3.18	8.86	3.20	9.47	3.28	9.88	3.33		
	40.0	7.43	3.27	7.84	3.32	8.24	3.37	8.45	3.40	9.06	3.48	9.47	3.53		
	43.0	7.18	3.40	7.59	3.45	8.00	3.50	8.20	3.52	8.81	3.60	9.20	3.60		
	46.0	6.86	3.03	7.21	3.03	7.56	3.03	7.73	3.03	8.23	3.03	8.56	3.03		

3D052453-7A

SYMBOLS

TC : Total capacity (kW)
PI : Power input (kW)

NOTES

Capacities are based on following conditions
Corresponding refrigerant piping length: 7.5 m
Level difference: 0 m

The above is the value for connecting with the following indoor units.
2.0 kW class; FTXS20D3VMW/L 2.5 kW class; FTXS25D3VMW/L
3.5 kW class; FTXS35D3VMW/L 5.0 kW class; FTXS50D2V1W/L
6.0 kW class; FTXS60EV1B 7.1 kW class; FTXS71EV1B

5 Capacity tables

5 - 2 Cooling capacity tables

5

5MKS90E

Cooling [50Hz 230V]

Combination (Capacity)	Outdoor air temp. °CDB	Indoor air temp.: °CWB											
		14°C		16°C		18°C		19°C		22°C		24°C	
		TC kW	PI kW	TC kW	PI kW	TC kW	PI kW	TC kW	PI kW	TC kW	PI kW	TC kW	PI kW
2.0+2.0+2.5+5.0	22.0	9.26	2.76	9.69	2.82	10.11	2.87	10.32	2.90	10.96	2.98	11.39	3.03
	25.0	9.01	2.86	9.43	2.91	9.86	2.97	10.07	2.99	10.70	3.08	11.13	3.13
	32.0	8.41	3.11	8.83	3.17	9.26	3.22	9.47	3.25	10.10	3.33	10.53	3.38
	35.0	8.15	3.23	8.57	3.28	9.00	3.34	9.21	3.36	9.85	3.44	10.27	3.50
	40.0	7.72	3.44	8.14	3.49	8.57	3.54	8.78	3.57	9.42	3.65	9.84	3.70
	43.0	7.46	3.57	7.89	3.60	8.30	3.60	8.51	3.60	9.11	3.60	9.50	3.60
	46.0	7.12	3.03	7.47	3.03	7.82	3.03	7.99	3.03	8.50	3.03	8.83	3.03
2.0+2.0+2.5+6.0	22.0	9.71	2.82	10.15	2.87	10.60	2.93	10.82	2.96	11.49	3.04	11.93	3.09
	25.0	9.44	2.92	9.88	2.97	10.33	3.03	10.55	3.06	11.22	3.14	11.66	3.19
	32.0	8.81	3.18	9.25	3.23	9.70	3.29	9.92	3.31	10.59	3.40	11.03	3.45
	35.0	8.54	3.30	8.98	3.35	9.43	3.41	9.65	3.43	10.32	3.52	10.76	3.57
	40.0	8.09	3.51	8.53	3.56	8.98	3.62	9.20	3.64	9.87	3.73	10.30	3.75
	43.0	7.82	3.60	8.26	3.60	8.68	3.60	8.89	3.60	9.51	3.60	9.91	3.60
	46.0	7.41	3.03	7.78	3.03	8.14	3.03	8.31	3.03	8.83	3.03	9.17	3.03
2.0+2.0+2.5+7.1	22.0	9.74	2.83	10.18	2.88	10.63	2.94	10.85	2.96	11.52	3.05	11.97	3.10
	25.0	9.47	2.93	9.91	2.98	10.36	3.04	10.58	3.07	11.25	3.15	11.70	3.20
	32.0	8.84	3.19	9.28	3.24	9.73	3.30	9.95	3.32	10.62	3.41	11.07	3.46
	35.0	8.57	3.31	9.01	3.36	9.46	3.42	9.68	3.44	10.35	3.53	10.79	3.58
	40.0	8.11	3.52	8.56	3.57	9.01	3.63	9.23	3.65	9.90	3.74	10.33	3.75
	43.0	7.84	3.60	8.28	3.60	8.71	3.60	8.92	3.60	9.54	3.60	9.94	3.60
	46.0	7.44	3.03	7.80	3.03	8.16	3.03	8.33	3.03	8.85	3.03	9.19	3.03
2.0+2.0+3.5+3.5	22.0	8.91	2.63	9.32	2.68	9.73	2.73	9.93	2.76	10.54	2.83	10.95	2.89
	25.0	8.66	2.72	9.07	2.78	9.48	2.83	9.69	2.85	10.30	2.93	10.71	2.98
	32.0	8.09	2.96	8.50	3.02	8.90	3.07	9.11	3.09	9.72	3.17	10.13	3.22
	35.0	7.84	3.08	8.25	3.13	8.66	3.18	8.86	3.20	9.47	3.28	9.88	3.33
	40.0	7.43	3.27	7.84	3.32	8.24	3.37	8.45	3.40	9.06	3.48	9.47	3.53
	43.0	7.18	3.40	7.59	3.45	8.00	3.50	8.20	3.52	8.81	3.60	9.20	3.60
	46.0	6.86	3.03	7.21	3.03	7.56	3.03	7.73	3.03	8.23	3.03	8.56	3.03
2.0+2.0+3.5+5.0	22.0	9.27	2.76	9.70	2.82	10.12	2.87	10.34	2.90	10.97	2.98	11.40	3.03
	25.0	9.02	2.86	9.44	2.91	9.87	2.97	10.08	2.99	10.72	3.08	11.14	3.13
	32.0	8.42	3.11	8.84	3.17	9.27	3.22	9.48	3.25	10.11	3.33	10.54	3.38
	35.0	8.16	3.23	8.58	3.28	9.01	3.34	9.22	3.36	9.86	3.44	10.28	3.50
	40.0	7.73	3.44	8.15	3.49	8.58	3.54	8.79	3.57	9.43	3.65	9.85	3.70
	43.0	7.47	3.57	7.90	3.60	8.31	3.60	8.52	3.60	9.12	3.60	9.51	3.60
	46.0	7.13	3.03	7.48	3.03	7.83	3.03	8.00	3.03	8.51	3.03	8.84	3.03
2.0+2.0+3.5+6.0	22.0	9.72	2.82	10.16	2.87	10.61	2.93	10.83	2.96	11.50	3.04	11.94	3.09
	25.0	9.45	2.92	9.89	2.97	10.34	3.03	10.56	3.06	11.23	3.14	11.67	3.19
	32.0	8.82	3.18	9.26	3.23	9.71	3.29	9.93	3.31	10.60	3.40	11.04	3.45
	35.0	8.55	3.30	8.99	3.35	9.44	3.41	9.66	3.43	10.33	3.52	10.77	3.57
	40.0	8.10	3.51	8.54	3.56	8.99	3.62	9.21	3.64	9.88	3.73	10.31	3.75
	43.0	7.83	3.60	8.26	3.60	8.69	3.60	8.90	3.60	9.52	3.60	9.92	3.60
	46.0	7.42	3.03	7.79	3.03	8.14	3.03	8.32	3.03	8.84	3.03	9.17	3.03

3D052453-7A

SYMBOLS

TC : Total capacity (kW)
PI : Power input (kW)

NOTES

Capacities are based on following conditions
Corresponding refrigerant piping length: 7.5 m
Level difference: 0 m

The above is the value for connecting with the following indoor units.
2.0 kW class; FTXS20D3VMW/L 2.5 kW class; FTXS25D3VMW/L
3.5 kW class; FTXS35D3VMW/L 5.0 kW class; FTXS50D2V1WW/L
6.0 kW class; FTXS60EV1B 7.1 kW class; FTXS71EV1B

5 Capacity tables

5 - 2 Cooling capacity tables

5MKS90E

Cooling [50Hz 230V]

Combination (Capacity)	Outdoor air temp. °CDB	Indoor air temp.: °CWB											
		14°C		16°C		18°C		19°C		22°C		24°C	
		TC kW	PI kW	TC kW	PI kW	TC kW	PI kW	TC kW	PI kW	TC kW	PI kW	TC kW	PI kW
2.0+2.0+3.5+7.1	22.0	9.74	2.83	10.18	2.88	10.63	2.94	10.85	2.96	11.52	3.05	11.97	3.10
	25.0	9.47	2.93	9.91	2.98	10.36	3.04	10.58	3.07	11.25	3.15	11.70	3.20
	32.0	8.84	3.19	9.28	3.24	9.73	3.30	9.95	3.32	10.62	3.41	11.07	3.46
	35.0	8.57	3.31	9.01	3.36	9.46	3.42	9.68	3.44	10.35	3.53	10.79	3.58
	40.0	8.11	3.52	8.56	3.57	9.01	3.63	9.23	3.65	9.90	3.74	10.33	3.75
	43.0	7.84	3.60	8.28	3.60	8.71	3.60	8.92	3.60	9.54	3.60	9.94	3.60
	46.0	7.44	3.03	7.80	3.03	8.16	3.03	8.33	3.03	8.85	3.03	9.19	3.03
2.0+2.0+5.0+5.0	22.0	9.46	2.79	9.89	2.84	10.32	2.89	10.54	2.92	11.19	3.00	11.62	3.06
	25.0	9.19	2.89	9.63	2.94	10.06	2.99	10.28	3.02	10.92	3.10	11.36	3.16
	32.0	8.58	3.14	9.01	3.19	9.45	3.25	9.66	3.28	10.31	3.36	10.75	3.41
	35.0	8.32	3.26	8.75	3.31	9.18	3.37	9.40	3.39	10.05	3.47	10.48	3.53
	40.0	7.88	3.47	8.31	3.52	8.75	3.57	8.96	3.60	9.61	3.68	10.04	3.74
	43.0	7.62	3.60	8.05	3.60	8.47	3.60	8.68	3.60	9.28	3.60	9.68	3.60
	46.0	7.25	3.03	7.61	3.03	7.96	3.03	8.13	3.03	8.64	3.03	8.97	3.03
2.0+2.0+5.0+6.0	22.0	10.46	3.50	10.94	3.57	11.42	3.64	11.66	3.67	12.38	3.77	12.86	3.84
	25.0	10.17	3.63	10.65	3.69	11.13	3.76	11.37	3.80	12.09	3.90	12.57	3.97
	32.0	9.49	3.95	9.97	4.01	10.45	4.08	10.69	4.12	11.40	4.18	11.86	4.18
	35.0	9.20	4.02	9.68	4.02	10.16	4.02	10.39	4.02	11.07	4.02	11.51	4.02
	40.0	8.72	3.75	9.20	3.75	9.68	3.75	9.92	3.75	10.59	3.75	11.00	3.75
	43.0	8.43	3.60	8.91	3.60	9.39	3.60	9.63	3.60	10.34	3.60	10.73	3.60
	46.0	8.14	3.03	8.62	3.03	8.98	3.03	9.15	3.03	9.65	3.03	9.98	3.03
2.0+2.5+2.5+2.5	22.0	8.83	2.46	9.24	2.51	9.64	2.55	9.84	2.58	10.45	2.65	10.85	2.70
	25.0	8.59	2.55	8.99	2.59	9.40	2.64	9.60	2.67	10.20	2.74	10.61	2.78
	32.0	8.01	2.77	8.42	2.82	8.82	2.87	9.03	2.89	9.63	2.96	10.04	3.01
	35.0	7.77	2.87	8.17	2.92	8.58	2.97	8.78	2.99	9.39	3.06	9.79	3.11
	40.0	7.36	3.06	7.76	3.11	8.17	3.15	8.37	3.18	8.98	3.25	9.38	3.30
	43.0	7.11	3.17	7.52	3.22	7.92	3.27	8.13	3.29	8.73	3.36	9.14	3.41
	46.0	6.80	3.03	7.16	3.03	7.52	3.03	7.69	3.03	8.21	3.03	8.54	3.03
2.0+2.5+2.5+3.5	22.0	8.91	2.63	9.32	2.68	9.73	2.73	9.93	2.76	10.54	2.83	10.95	2.89
	25.0	8.66	2.72	9.07	2.78	9.48	2.83	9.69	2.85	10.30	2.93	10.71	2.98
	32.0	8.09	2.96	8.50	3.02	8.90	3.07	9.11	3.09	9.72	3.17	10.13	3.22
	35.0	7.84	3.08	8.25	3.13	8.66	3.18	8.86	3.20	9.47	3.28	9.88	3.33
	40.0	7.43	3.27	7.84	3.32	8.24	3.37	8.45	3.40	9.06	3.48	9.47	3.53
	43.0	7.18	3.40	7.59	3.45	8.00	3.50	8.20	3.52	8.81	3.60	9.20	3.60
	46.0	6.86	3.03	7.21	3.03	7.56	3.03	7.73	3.03	8.23	3.03	8.56	3.03
2.0+2.5+2.5+5.0	22.0	9.26	2.76	9.69	2.82	10.11	2.87	10.32	2.90	10.96	2.98	11.39	3.03
	25.0	9.01	2.86	9.43	2.91	9.86	2.97	10.07	2.99	10.70	3.08	11.13	3.13
	32.0	8.41	3.11	8.83	3.17	9.26	3.22	9.47	3.25	10.10	3.33	10.53	3.38
	35.0	8.15	3.23	8.57	3.28	9.00	3.34	9.21	3.36	9.85	3.44	10.27	3.50
	40.0	7.72	3.44	8.14	3.49	8.57	3.54	8.78	3.57	9.42	3.65	9.84	3.70
	43.0	7.46	3.57	7.89	3.60	8.30	3.60	8.51	3.60	9.11	3.60	9.50	3.60
	46.0	7.12	3.03	7.47	3.03	7.82	3.03	7.99	3.03	8.50	3.03	8.83	3.03

3D052453-8A

SYMBOLS

TC : Total capacity (kW)
PI : Power input (kW)

NOTES

Capacities are based on following conditions
Corresponding refrigerant piping length: 7.5 m
Level difference: 0 m

The above is the value for connecting with the following indoor units.
2.0 kW class; FTXS20D3VMW/L 2.5 kW class; FTXS25D3VMW/L
3.5 kW class; FTXS35D3VMW/L 5.0 kW class; FTXS50D2V1W/L
6.0 kW class; FTXS60EV1B 7.1 kW class; FTXS71EV1B

5 Capacity tables

5 - 2 Cooling capacity tables

5

5MKS90E

Cooling [50Hz 230V]

Combination (Capacity)	Outdoor air temp. °CDB	Indoor air temp.: °CWB											
		14°C		16°C		18°C		19°C		22°C		24°C	
		TC kW	PI kW	TC kW	PI kW	TC kW	PI kW	TC kW	PI kW	TC kW	PI kW	TC kW	PI kW
2.0+2.5+2.5+6.0	22.0	9.71	2.82	10.15	2.87	10.60	2.93	10.82	2.96	11.49	3.04	11.93	3.09
	25.0	9.44	2.92	9.88	2.97	10.33	3.03	10.55	3.06	11.22	3.14	11.66	3.19
	32.0	8.81	3.18	9.25	3.23	9.70	3.29	9.92	3.31	10.59	3.40	11.03	3.45
	35.0	8.54	3.30	8.98	3.35	9.43	3.41	9.65	3.43	10.32	3.52	10.76	3.57
	40.0	8.09	3.51	8.53	3.56	8.98	3.62	9.20	3.64	9.87	3.73	10.30	3.75
	43.0	7.82	3.60	8.26	3.60	8.68	3.60	8.89	3.60	9.51	3.60	9.91	3.60
	46.0	7.41	3.03	7.78	3.03	8.14	3.03	8.31	3.03	8.83	3.03	9.17	3.03
2.0+2.5+2.5+7.1	22.0	9.74	2.83	10.18	2.88	10.63	2.94	10.85	2.96	11.52	3.05	11.97	3.10
	25.0	9.47	2.93	9.91	2.98	10.36	3.04	10.58	3.07	11.25	3.15	11.70	3.20
	32.0	8.84	3.19	9.28	3.24	9.73	3.30	9.95	3.32	10.62	3.41	11.07	3.46
	35.0	8.57	3.31	9.01	3.36	9.46	3.42	9.68	3.44	10.35	3.53	10.79	3.58
	40.0	8.11	3.52	8.56	3.57	9.01	3.63	9.23	3.65	9.90	3.74	10.33	3.75
	43.0	7.84	3.60	8.28	3.60	8.71	3.60	8.92	3.60	9.54	3.60	9.94	3.60
	46.0	7.44	3.03	7.80	3.03	8.16	3.03	8.33	3.03	8.85	3.03	9.19	3.03
2.0+2.5+3.5+3.5	22.0	9.09	2.74	9.51	2.80	9.93	2.85	10.13	2.88	10.76	2.96	11.18	3.01
	25.0	8.84	2.84	9.26	2.90	9.67	2.95	9.88	2.98	10.51	3.06	10.92	3.11
	32.0	8.25	3.09	8.67	3.15	9.08	3.20	9.29	3.23	9.92	3.31	10.33	3.36
	35.0	8.00	3.21	8.42	3.26	8.83	3.32	9.04	3.34	9.66	3.42	10.08	3.48
	40.0	7.58	3.42	7.99	3.47	8.41	3.52	8.62	3.55	9.24	3.63	9.66	3.68
	43.0	7.33	3.55	7.74	3.60	8.15	3.60	8.36	3.60	8.95	3.60	9.34	3.60
	46.0	7.00	3.03	7.36	3.03	7.70	3.03	7.87	3.03	8.37	3.03	8.69	3.03
2.0+2.5+3.5+5.0	22.0	9.27	2.76	9.70	2.82	10.12	2.87	10.34	2.90	10.97	2.98	11.40	3.03
	25.0	9.02	2.86	9.44	2.91	9.87	2.97	10.08	2.99	10.72	3.08	11.14	3.13
	32.0	8.42	3.11	8.84	3.17	9.27	3.22	9.48	3.25	10.11	3.33	10.54	3.38
	35.0	8.16	3.23	8.58	3.28	9.01	3.34	9.22	3.36	9.86	3.44	10.28	3.50
	40.0	7.73	3.44	8.15	3.49	8.58	3.54	8.79	3.57	9.43	3.65	9.85	3.70
	43.0	7.47	3.57	7.90	3.60	8.31	3.60	8.52	3.60	9.12	3.60	9.51	3.60
	46.0	7.13	3.03	7.48	3.03	7.83	3.03	8.00	3.03	8.51	3.03	8.84	3.03
2.0+2.5+3.5+6.0	22.0	9.72	2.82	10.16	2.87	10.61	2.93	10.83	2.96	11.50	3.04	11.94	3.09
	25.0	9.45	2.92	9.89	2.97	10.34	3.03	10.56	3.06	11.23	3.14	11.67	3.19
	32.0	8.82	3.18	9.26	3.23	9.71	3.29	9.93	3.31	10.60	3.40	11.04	3.45
	35.0	8.55	3.30	8.99	3.35	9.44	3.41	9.66	3.43	10.33	3.52	10.77	3.57
	40.0	8.10	3.51	8.54	3.56	8.99	3.62	9.21	3.64	9.88	3.73	10.31	3.75
	43.0	7.83	3.60	8.26	3.60	8.69	3.60	8.90	3.60	9.52	3.60	9.92	3.60
	46.0	7.42	3.03	7.79	3.03	8.14	3.03	8.32	3.03	8.84	3.03	9.17	3.03
2.0+2.5+3.5+7.1	22.0	10.18	3.27	10.65	3.33	11.11	3.40	11.35	3.43	12.04	3.53	12.51	3.59
	25.0	9.90	3.39	10.36	3.45	10.83	3.52	11.06	3.55	11.76	3.64	12.23	3.71
	32.0	9.24	3.69	9.70	3.75	10.17	3.81	10.40	3.85	11.10	3.94	11.57	4.01
	35.0	8.95	3.83	9.42	3.89	9.89	3.95	10.12	3.98	10.80	4.02	11.25	4.02
	40.0	8.48	3.75	8.95	3.75	9.42	3.75	9.63	3.75	10.27	3.75	10.68	3.75
	43.0	8.20	3.60	8.67	3.60	9.13	3.60	9.37	3.60	9.98	3.60	10.38	3.60
	46.0	7.92	3.03	8.29	3.03	8.64	3.03	8.81	3.03	9.31	3.03	9.64	3.03

3D052453-8A

SYMBOLS

TC : Total capacity (kW)
PI : Power input (kW)

NOTES

Capacities are based on following conditions
Corresponding refrigerant piping length: 7.5 m
Level difference: 0 m

The above is the value for connecting with the following indoor units.
2.0 kW class; FTXS20D3VMW/L 2.5 kW class; FTXS25D3VMW/L
3.5 kW class; FTXS35D3VMW/L 5.0 kW class; FTXS50D2V1W/L
6.0 kW class; FTXS60EV1B 7.1 kW class; FTXS71EV1B

5 Capacity tables

5 - 2 Cooling capacity tables

5MKS90E													
Cooling [50Hz 230V]													
Combination (Capacity)	Outdoor air temp. °CDB	Indoor air temp.: °CWB											
		14°C		16°C		18°C		19°C		22°C		24°C	
		TC kW	PI kW	TC kW	PI kW	TC kW	PI kW	TC kW	PI kW	TC kW	PI kW	TC kW	PI kW
2.0+2.5+5.0+5.0	22.0	9.46	2.79	9.89	2.84	10.32	2.89	10.54	2.92	11.19	3.00	11.62	3.06
	25.0	9.19	2.89	9.63	2.94	10.06	2.99	10.28	3.02	10.92	3.10	11.36	3.16
	32.0	8.58	3.14	9.01	3.19	9.45	3.25	9.66	3.28	10.31	3.36	10.75	3.41
	35.0	8.32	3.26	8.75	3.31	9.18	3.37	9.40	3.39	10.05	3.47	10.48	3.53
	40.0	7.88	3.47	8.31	3.52	8.75	3.57	8.96	3.60	9.61	3.68	10.04	3.74
	43.0	7.62	3.60	8.05	3.60	8.47	3.60	8.68	3.60	9.28	3.60	9.68	3.60
	46.0	7.25	3.03	7.61	3.03	7.96	3.03	8.13	3.03	8.64	3.03	8.97	3.03
2.0+2.5+5.0+6.0	22.0	10.46	3.50	10.94	3.57	11.42	3.64	11.66	3.67	12.38	3.77	12.86	3.84
	25.0	10.17	3.63	10.65	3.69	11.13	3.76	11.37	3.80	12.09	3.90	12.57	3.97
	32.0	9.49	3.95	9.97	4.01	10.45	4.08	10.69	4.12	11.40	4.18	11.86	4.18
	35.0	9.20	4.02	9.68	4.02	10.16	4.02	10.39	4.02	11.07	4.02	11.51	4.02
	40.0	8.72	3.75	9.20	3.75	9.68	3.75	9.92	3.75	10.59	3.75	11.00	3.75
	43.0	8.43	3.60	8.91	3.60	9.39	3.60	9.63	3.60	10.34	3.60	10.73	3.60
	46.0	8.14	3.03	8.62	3.03	8.98	3.03	9.15	3.03	9.65	3.03	9.98	3.03
2.0+3.5+3.5+3.5	22.0	9.10	2.79	9.52	2.84	9.94	2.89	10.15	2.92	10.77	3.00	11.19	3.06
	25.0	8.85	2.89	9.27	2.94	9.68	2.99	9.89	3.02	10.52	3.10	10.94	3.16
	32.0	8.26	3.14	8.68	3.19	9.09	3.25	9.30	3.28	9.93	3.36	10.35	3.41
	35.0	8.01	3.26	8.42	3.31	8.84	3.37	9.05	3.39	9.68	3.47	10.09	3.53
	40.0	7.59	3.47	8.00	3.52	8.42	3.57	8.63	3.60	9.25	3.68	9.67	3.74
	43.0	7.33	3.60	7.75	3.60	8.16	3.60	8.36	3.60	8.96	3.60	9.34	3.60
	46.0	7.02	3.03	7.37	3.03	7.72	3.03	7.89	3.03	8.38	3.03	8.71	3.03
2.0+3.5+3.5+5.0	22.0	9.27	2.77	9.70	2.82	10.12	2.88	10.34	2.90	10.97	2.99	11.40	3.04
	25.0	9.02	2.87	9.44	2.92	9.87	2.98	10.08	3.00	10.72	3.08	11.14	3.14
	32.0	8.42	3.12	8.84	3.18	9.27	3.23	9.48	3.26	10.11	3.34	10.54	3.39
	35.0	8.16	3.24	8.58	3.29	9.01	3.35	9.22	3.37	9.86	3.45	10.28	3.51
	40.0	7.73	3.45	8.15	3.50	8.58	3.55	8.79	3.58	9.43	3.66	9.85	3.72
	43.0	7.47	3.58	7.90	3.60	8.31	3.60	8.52	3.60	9.12	3.60	9.51	3.60
	46.0	7.13	3.03	7.48	3.03	7.83	3.03	8.00	3.03	8.51	3.03	8.84	3.03
2.0+3.5+3.5+6.0	22.0	10.16	3.26	10.62	3.33	11.09	3.39	11.32	3.42	12.02	3.52	12.49	3.58
	25.0	9.88	3.38	10.34	3.44	10.81	3.51	11.04	3.54	11.74	3.63	12.20	3.70
	32.0	9.22	3.68	9.68	3.74	10.15	3.80	10.38	3.84	11.08	3.93	11.55	4.00
	35.0	8.94	3.82	9.40	3.88	9.87	3.94	10.10	3.97	10.79	4.02	11.23	4.02
	40.0	8.47	3.75	8.93	3.75	9.40	3.75	9.61	3.75	10.25	3.75	10.66	3.75
	43.0	8.18	3.60	8.65	3.60	9.11	3.60	9.35	3.60	9.96	3.60	10.36	3.60
	46.0	7.90	3.03	8.27	3.03	8.62	3.03	8.79	3.03	9.30	3.03	9.63	3.03
2.0+3.5+5.0+5.0	22.0	10.02	3.41	10.48	3.48	10.94	3.54	11.17	3.58	11.85	3.68	12.31	3.74
	25.0	9.74	3.53	10.20	3.60	10.66	3.67	10.89	3.70	11.58	3.80	12.03	3.87
	32.0	9.09	3.84	9.55	3.91	10.01	3.98	10.24	4.01	10.93	4.11	11.39	4.18
	35.0	8.81	3.99	9.27	4.02	9.73	4.02	9.96	4.02	10.63	4.02	11.06	4.02
	40.0	8.35	3.75	8.81	3.75	9.27	3.75	9.50	3.75	10.18	3.75	10.58	3.75
	43.0	8.07	3.60	8.53	3.60	8.99	3.60	9.22	3.60	9.91	3.60	10.33	3.60
	46.0	7.79	3.03	8.25	3.03	8.65	3.03	8.82	3.03	9.31	3.03	9.64	3.03

3D052453-9A

SYMBOLS

TC : Total capacity (kW)
PI : Power input (kW)

NOTES

Capacities are based on following conditions
Corresponding refrigerant piping length: 7.5 m
Level difference: 0 m

The above is the value for connecting with the following indoor units.
2.0 kW class; FTXS20D3VMW/L 2.5 kW class; FTXS25D3VMW/L
3.5 kW class; FTXS35D3VMW/L 5.0 kW class; FTXS50D2V1W/L
6.0 kW class; FTXS60EV1B 7.1 kW class; FTXS71EV1B

5 Capacity tables

5 - 2 Cooling capacity tables

5

5MKS90E

Cooling [50Hz 230V]

Combination (Capacity)	Outdoor air temp. °CDB	Indoor air temp.: °CWB											
		14°C		16°C		18°C		19°C		22°C		24°C	
		TC kW	PI kW	TC kW	PI kW	TC kW	PI kW	TC kW	PI kW	TC kW	PI kW	TC kW	PI kW
2.5+2.5+2.5+2.5	22.0	8.90	2.62	9.31	2.67	9.72	2.72	9.92	2.75	10.53	2.83	10.94	2.88
	25.0	8.65	2.72	9.06	2.77	9.47	2.82	9.67	2.84	10.29	2.92	10.69	2.97
	32.0	8.08	2.95	8.49	3.01	8.89	3.06	9.10	3.08	9.71	3.16	10.12	3.21
	35.0	7.83	3.07	8.24	3.12	8.65	3.17	8.85	3.19	9.46	3.27	9.87	3.32
	40.0	7.42	3.26	7.83	3.31	8.23	3.36	8.44	3.39	9.05	3.47	9.46	3.52
	43.0	7.17	3.39	7.58	3.44	7.99	3.49	8.19	3.51	8.80	3.59	9.19	3.60
	46.0	6.85	3.03	7.20	3.03	7.55	3.03	7.72	3.03	8.22	3.03	8.55	3.03
2.5+2.5+2.5+3.5	22.0	8.91	2.63	9.32	2.68	9.73	2.73	9.93	2.76	10.54	2.83	10.95	2.89
	25.0	8.66	2.72	9.07	2.78	9.48	2.83	9.69	2.85	10.30	2.93	10.71	2.98
	32.0	8.09	2.96	8.50	3.02	8.90	3.07	9.11	3.09	9.72	3.17	10.13	3.22
	35.0	7.84	3.08	8.25	3.13	8.66	3.18	8.86	3.20	9.47	3.28	9.88	3.33
	40.0	7.43	3.27	7.84	3.32	8.24	3.37	8.45	3.40	9.06	3.48	9.47	3.53
	43.0	7.18	3.40	7.59	3.45	8.00	3.50	8.20	3.52	8.81	3.60	9.20	3.60
	46.0	6.86	3.03	7.21	3.03	7.56	3.03	7.73	3.03	8.23	3.03	8.56	3.03
2.5+2.5+2.5+5.0	22.0	9.26	2.76	9.69	2.82	10.11	2.87	10.32	2.90	10.96	2.98	11.39	3.03
	25.0	9.01	2.86	9.43	2.91	9.86	2.97	10.07	2.99	10.70	3.08	11.13	3.13
	32.0	8.41	3.11	8.83	3.17	9.26	3.22	9.47	3.25	10.10	3.33	10.53	3.38
	35.0	8.15	3.23	8.57	3.28	9.00	3.34	9.21	3.36	9.85	3.44	10.27	3.50
	40.0	7.72	3.44	8.14	3.49	8.57	3.54	8.78	3.57	9.42	3.65	9.84	3.70
	43.0	7.46	3.57	7.89	3.60	8.30	3.60	8.51	3.60	9.11	3.60	9.50	3.60
	46.0	7.12	3.03	7.47	3.03	7.82	3.03	7.99	3.03	8.50	3.03	8.83	3.03
2.5+2.5+2.5+6.0	22.0	9.71	2.82	10.15	2.87	10.60	2.93	10.82	2.96	11.49	3.04	11.93	3.09
	25.0	9.44	2.92	9.88	2.97	10.33	3.03	10.55	3.06	11.22	3.14	11.66	3.19
	32.0	8.81	3.18	9.25	3.23	9.70	3.29	9.92	3.31	10.59	3.40	11.03	3.45
	35.0	8.54	3.30	8.98	3.35	9.43	3.41	9.65	3.43	10.32	3.52	10.76	3.57
	40.0	8.09	3.51	8.53	3.56	8.98	3.62	9.20	3.64	9.87	3.73	10.30	3.75
	43.0	7.82	3.60	8.26	3.60	8.68	3.60	8.89	3.60	9.51	3.60	9.91	3.60
	46.0	7.41	3.03	7.78	3.03	8.14	3.03	8.31	3.03	8.83	3.03	9.17	3.03
2.5+2.5+2.5+7.1	22.0	9.74	2.83	10.18	2.88	10.63	2.94	10.85	2.96	11.52	3.05	11.97	3.10
	25.0	9.47	2.93	9.91	2.98	10.36	3.04	10.58	3.07	11.25	3.15	11.70	3.20
	32.0	8.84	3.19	9.28	3.24	9.73	3.30	9.95	3.32	10.62	3.41	11.07	3.46
	35.0	8.57	3.31	9.01	3.36	9.46	3.42	9.68	3.44	10.35	3.53	10.79	3.58
	40.0	8.11	3.52	8.56	3.57	9.01	3.63	9.23	3.65	9.90	3.74	10.33	3.75
	43.0	7.84	3.60	8.28	3.60	8.71	3.60	8.92	3.60	9.54	3.60	9.94	3.60
	46.0	7.44	3.03	7.80	3.03	8.16	3.03	8.33	3.03	8.85	3.03	9.19	3.03
2.5+2.5+3.5+3.5	22.0	9.09	2.74	9.51	2.80	9.93	2.85	10.13	2.88	10.76	2.96	11.18	3.01
	25.0	8.84	2.84	9.26	2.90	9.67	2.95	9.88	2.98	10.51	3.06	10.92	3.11
	32.0	8.25	3.09	8.67	3.15	9.08	3.20	9.29	3.23	9.92	3.31	10.33	3.36
	35.0	8.00	3.21	8.42	3.26	8.83	3.32	9.04	3.34	9.66	3.42	10.08	3.48
	40.0	7.58	3.42	7.99	3.47	8.41	3.52	8.62	3.55	9.24	3.63	9.66	3.68
	43.0	7.33	3.55	7.74	3.60	8.15	3.60	8.36	3.60	8.95	3.60	9.34	3.60
	46.0	7.00	3.03	7.36	3.03	7.70	3.03	7.87	3.03	8.37	3.03	8.69	3.03

3D052453-9A

SYMBOLS

TC : Total capacity (kW)
PI : Power input (kW)

NOTES

Capacities are based on following conditions
Corresponding refrigerant piping length: 7.5 m
Level difference: 0 m

The above is the value for connecting with the following indoor units.
2.0 kW class; FTXS20D3VMW/L
2.5 kW class; FTXS25D3VMW/L
3.5 kW class; FTXS35D3VMW/L
5.0 kW class; FTXS50D2V1W/L
6.0 kW class; FTXS60EV1B
7.1 kW class; FTXS71EV1B

5 Capacity tables

5 - 2 Cooling capacity tables

5MKS90E

Cooling [50Hz 230V]

Combination (Capacity)	Outdoor air temp. °CDB	Indoor air temp.: °CWB											
		14°C		16°C		18°C		19°C		22°C		24°C	
		TC kW	PI kW	TC kW	PI kW	TC kW	PI kW	TC kW	PI kW	TC kW	PI kW	TC kW	PI kW
2.5+2.5+3.5+5.0	22.0	9.27	2.76	9.70	2.82	10.12	2.87	10.34	2.90	10.97	2.98	11.40	3.03
	25.0	9.02	2.86	9.44	2.91	9.87	2.97	10.08	2.99	10.72	3.08	11.14	3.13
	32.0	8.42	3.11	8.84	3.17	9.27	3.22	9.48	3.25	10.11	3.33	10.54	3.38
	35.0	8.16	3.23	8.58	3.28	9.01	3.34	9.22	3.36	9.86	3.44	10.28	3.50
	40.0	7.73	3.44	8.15	3.49	8.58	3.54	8.79	3.57	9.43	3.65	9.85	3.70
	43.0	7.47	3.57	7.90	3.60	8.31	3.60	8.52	3.60	9.12	3.60	9.51	3.60
	46.0	7.13	3.03	7.48	3.03	7.83	3.03	8.00	3.03	8.51	3.03	8.84	3.03
2.5+2.5+3.5+6.0	22.0	9.72	2.82	10.16	2.87	10.61	2.93	10.83	2.96	11.50	3.04	11.94	3.09
	25.0	9.45	2.92	9.89	2.97	10.34	3.03	10.56	3.06	11.23	3.14	11.67	3.19
	32.0	8.82	3.18	9.26	3.23	9.71	3.29	9.93	3.31	10.60	3.40	11.04	3.45
	35.0	8.55	3.30	8.99	3.35	9.44	3.41	9.66	3.43	10.33	3.52	10.77	3.57
	40.0	8.10	3.51	8.54	3.56	8.99	3.62	9.21	3.64	9.88	3.73	10.31	3.75
	43.0	7.83	3.60	8.26	3.60	8.69	3.60	8.90	3.60	9.52	3.60	9.92	3.60
	46.0	7.42	3.03	7.79	3.03	8.14	3.03	8.32	3.03	8.84	3.03	9.17	3.03
2.5+2.5+3.5+7.1	22.0	10.18	3.27	10.65	3.33	11.11	3.40	11.35	3.43	12.04	3.53	12.51	3.59
	25.0	9.90	3.39	10.36	3.45	10.83	3.52	11.06	3.55	11.76	3.64	12.23	3.71
	32.0	9.24	3.69	9.70	3.75	10.17	3.81	10.40	3.85	11.10	3.94	11.57	4.01
	35.0	8.95	3.83	9.42	3.89	9.89	3.95	10.12	3.98	10.80	4.02	11.25	4.02
	40.0	8.48	3.75	8.95	3.75	9.42	3.75	9.63	3.75	10.27	3.75	10.68	3.75
	43.0	8.20	3.60	8.67	3.60	9.13	3.60	9.37	3.60	9.98	3.60	10.38	3.60
	46.0	7.92	3.03	8.29	3.03	8.64	3.03	8.81	3.03	9.31	3.03	9.64	3.03
2.5+2.5+5.0+5.0	22.0	10.01	3.41	10.47	3.48	10.93	3.54	11.15	3.58	11.84	3.68	12.30	3.74
	25.0	9.73	3.53	10.19	3.60	10.65	3.67	10.88	3.70	11.56	3.80	12.02	3.87
	32.0	9.08	3.84	9.54	3.91	10.00	3.98	10.23	4.01	10.92	4.11	11.37	4.18
	35.0	8.80	3.99	9.26	4.02	9.72	4.02	9.95	4.02	10.62	4.02	11.05	4.02
	40.0	8.34	3.75	8.80	3.75	9.26	3.75	9.49	3.75	10.17	3.75	10.57	3.75
	43.0	8.06	3.60	8.52	3.60	8.98	3.60	9.21	3.60	9.90	3.60	10.32	3.60
	46.0	7.78	3.03	8.24	3.03	8.65	3.03	8.81	3.03	9.31	3.03	9.63	3.03
2.5+3.5+3.5+3.5	22.0	9.12	2.79	9.54	2.84	9.96	2.89	10.17	2.92	10.79	3.00	11.21	3.06
	25.0	8.87	2.89	9.29	2.94	9.71	2.99	9.91	3.02	10.54	3.10	10.96	3.16
	32.0	8.28	3.14	8.70	3.19	9.11	3.25	9.32	3.28	9.95	3.36	10.37	3.41
	35.0	8.03	3.26	8.44	3.31	8.86	3.37	9.07	3.39	9.70	3.47	10.11	3.53
	40.0	7.60	3.47	8.02	3.52	8.44	3.57	8.65	3.60	9.27	3.68	9.69	3.74
	43.0	7.35	3.60	7.77	3.60	8.18	3.60	8.38	3.60	8.97	3.60	9.36	3.60
	46.0	7.04	3.03	7.39	3.03	7.73	3.03	7.90	3.03	8.40	3.03	8.72	3.03
2.5+3.5+3.5+5.0	22.0	9.27	2.77	9.70	2.82	10.12	2.88	10.34	2.90	10.97	2.99	11.40	3.04
	25.0	9.02	2.87	9.44	2.92	9.87	2.98	10.08	3.00	10.72	3.08	11.14	3.14
	32.0	8.42	3.12	8.84	3.18	9.27	3.23	9.48	3.26	10.11	3.34	10.54	3.39
	35.0	8.16	3.24	8.58	3.29	9.01	3.35	9.22	3.37	9.86	3.45	10.28	3.51
	40.0	7.73	3.45	8.15	3.50	8.58	3.55	8.79	3.58	9.43	3.66	9.85	3.72
	43.0	7.47	3.58	7.90	3.60	8.31	3.60	8.52	3.60	9.12	3.60	9.51	3.60
	46.0	7.13	3.03	7.48	3.03	7.83	3.03	8.00	3.03	8.51	3.03	8.84	3.03

3D052454-1A

SYMBOLS

TC : Total capacity (kW)
PI : Power input (kW)

NOTES

Capacities are based on following conditions
Corresponding refrigerant piping length: 7.5 m
Level difference: 0 m

The above is the value for connecting with the following indoor units.
2.0 kW class; FTXS20D3VMW/L 2.5 kW class; FTXS25D3VMW/L
3.5 kW class; FTXS35D3VMW/L 5.0 kW class; FTXS50D2V1W/L
6.0 kW class; FTXS60EV1B 7.1 kW class; FTXS71EV1B

5 Capacity tables

5 - 2 Cooling capacity tables

5

5MKS90E

Cooling [50Hz 230V]

Combination (Capacity)	Outdoor air temp. °CDB	Indoor air temp.: °CWB											
		14°C		16°C		18°C		19°C		22°C		24°C	
		TC kW	PI kW	TC kW	PI kW	TC kW	PI kW	TC kW	PI kW	TC kW	PI kW	TC kW	PI kW
2.5+3.5+3.5+6.0	22.0	10.16	3.26	10.62	3.33	11.09	3.39	11.32	3.42	12.02	3.52	12.49	3.58
	25.0	9.88	3.38	10.34	3.44	10.81	3.51	11.04	3.54	11.74	3.63	12.20	3.70
	32.0	9.22	3.68	9.68	3.74	10.15	3.80	10.38	3.84	11.08	3.93	11.55	4.00
	35.0	8.94	3.82	9.40	3.88	9.87	3.94	10.10	3.97	10.79	4.02	11.23	4.02
	40.0	8.47	3.75	8.93	3.75	9.40	3.75	9.61	3.75	10.25	3.75	10.66	3.75
	43.0	8.18	3.60	8.65	3.60	9.11	3.60	9.35	3.60	9.96	3.60	10.36	3.60
	46.0	7.90	3.03	8.27	3.03	8.62	3.03	8.79	3.03	9.30	3.03	9.63	3.03
3.5+3.5+3.5+3.5	22.0	9.10	2.79	9.52	2.84	9.94	2.89	10.15	2.92	10.77	3.00	11.19	3.06
	25.0	8.85	2.89	9.27	2.94	9.68	2.99	9.89	3.02	10.52	3.10	10.94	3.16
	32.0	8.26	3.14	8.68	3.19	9.09	3.25	9.30	3.28	9.93	3.36	10.35	3.41
	35.0	8.01	3.26	8.42	3.31	8.84	3.37	9.05	3.39	9.68	3.47	10.09	3.53
	40.0	7.59	3.47	8.00	3.52	8.42	3.57	8.63	3.60	9.25	3.68	9.67	3.74
	43.0	7.33	3.60	7.75	3.60	8.16	3.60	8.36	3.60	8.96	3.60	9.34	3.60
	46.0	7.02	3.03	7.37	3.03	7.72	3.03	7.89	3.03	8.38	3.03	8.71	3.03
3.5+3.5+3.5+5.0	22.0	9.72	3.19	10.16	3.25	10.61	3.31	10.83	3.34	11.50	3.44	11.94	3.50
	25.0	9.45	3.30	9.89	3.37	10.34	3.43	10.56	3.46	11.23	3.55	11.67	3.61
	32.0	8.82	3.59	9.26	3.66	9.71	3.72	9.93	3.75	10.60	3.84	11.04	3.90
	35.0	8.55	3.73	8.99	3.79	9.44	3.85	9.66	3.88	10.33	3.98	10.77	4.02
	40.0	8.10	3.75	8.54	3.75	8.99	3.75	9.21	3.75	9.83	3.75	10.24	3.75
	43.0	7.83	3.60	8.27	3.60	8.72	3.60	8.94	3.60	9.57	3.60	9.96	3.60
	46.0	7.56	3.03	7.97	3.03	8.31	3.03	8.47	3.03	8.97	3.03	9.29	3.03
2.0+2.0+2.0+2.0+2.0	22.0	9.08	2.47	9.50	2.51	9.92	2.56	10.12	2.59	10.75	2.66	11.16	2.71
	25.0	8.83	2.55	9.25	2.60	9.66	2.65	9.87	2.67	10.49	2.75	10.91	2.79
	32.0	8.24	2.78	8.66	2.83	9.07	2.87	9.28	2.90	9.91	2.97	10.32	3.02
	35.0	7.99	2.88	8.41	2.93	8.82	2.98	9.03	3.00	9.65	3.08	10.07	3.12
	40.0	7.57	3.07	7.99	3.12	8.40	3.16	8.61	3.19	9.23	3.26	9.65	3.31
	43.0	7.32	3.18	7.73	3.23	8.15	3.28	8.36	3.30	8.98	3.38	9.40	3.42
	46.0	6.98	3.03	7.35	3.03	7.71	3.03	7.89	3.03	8.41	3.03	8.75	3.03
2.0+2.0+2.0+2.0+2.5	22.0	9.30	2.58	9.73	2.63	10.16	2.68	10.37	2.71	11.01	2.78	11.44	2.83
	25.0	9.05	2.67	9.47	2.72	9.90	2.77	10.11	2.80	10.75	2.87	11.18	2.92
	32.0	8.44	2.91	8.87	2.96	9.30	3.01	9.51	3.03	10.15	3.11	10.57	3.16
	35.0	8.18	3.02	8.61	3.07	9.04	3.12	9.25	3.14	9.89	3.22	10.32	3.27
	40.0	7.75	3.21	8.18	3.26	8.61	3.31	8.82	3.34	9.46	3.41	9.88	3.46
	43.0	7.50	3.33	7.92	3.38	8.35	3.43	8.56	3.46	9.20	3.53	9.63	3.58
	46.0	7.12	3.03	7.49	3.03	7.85	3.03	8.03	3.03	8.55	3.03	8.89	3.03
2.0+2.0+2.0+2.0+3.5	22.0	9.70	2.82	10.14	2.87	10.58	2.93	10.81	2.96	11.47	3.04	11.92	3.09
	25.0	9.43	2.92	9.87	2.97	10.32	3.03	10.54	3.06	11.20	3.14	11.65	3.19
	32.0	8.80	3.18	9.24	3.23	9.69	3.29	9.91	3.31	10.58	3.40	11.02	3.45
	35.0	8.53	3.30	8.97	3.35	9.42	3.41	9.64	3.43	10.31	3.52	10.75	3.57
	40.0	8.08	3.51	8.52	3.56	8.97	3.62	9.19	3.64	9.86	3.73	10.29	3.75
	43.0	7.81	3.60	8.25	3.60	8.67	3.60	8.88	3.60	9.50	3.60	9.90	3.60
	46.0	7.41	3.03	7.77	3.03	8.13	3.03	8.31	3.03	8.82	3.03	9.16	3.03

3D052454-1A

SYMBOLS

TC : Total capacity (kW)
PI : Power input (kW)

NOTES

Capacities are based on following conditions
Corresponding refrigerant piping length: 7.5 m
Level difference: 0 m

The above is the value for connecting with the following indoor units.
2.0 kW class; FTXS20D3VMW/L 2.5 kW class; FTXS25D3VMW/L
3.5 kW class; FTXS35D3VMW/L 5.0 kW class; FTXS50D2V1W/L
6.0 kW class; FTXS60EV1B 7.1 kW class; FTXS71EV1B

5 Capacity tables

5 - 2 Cooling capacity tables

5MKS90E

Cooling [50Hz 230V]

Combination (Capacity)	Outdoor air temp. °CDB	Indoor air temp.: °CWB											
		14°C		16°C		18°C		19°C		22°C		24°C	
		TC kW	PI kW	TC kW	PI kW	TC kW	PI kW	TC kW	PI kW	TC kW	PI kW	TC kW	PI kW
2.0+2.0+2.0+2.0+5.0	22.0	9.91	2.84	10.36	2.90	10.82	2.95	11.04	2.98	11.72	3.06	12.18	3.12
	25.0	9.63	2.95	10.09	3.00	10.54	3.06	10.77	3.08	11.45	3.17	11.90	3.22
	32.0	8.99	3.21	9.44	3.26	9.90	3.32	10.13	3.34	10.81	3.43	11.26	3.48
	35.0	8.72	3.33	9.17	3.38	9.62	3.44	9.85	3.46	10.53	3.55	10.98	3.60
	40.0	8.26	3.54	8.71	3.59	9.16	3.65	9.39	3.68	10.07	3.75	10.50	3.75
	43.0	7.98	3.60	8.42	3.60	8.85	3.60	9.06	3.60	9.69	3.60	10.09	3.60
	46.0	7.55	3.03	7.92	3.03	8.28	3.03	8.45	3.03	8.98	3.03	9.32	3.03
2.0+2.0+2.0+2.0+6.0	22.0	10.36	2.90	10.84	2.96	11.31	3.01	11.55	3.04	12.26	3.13	12.73	3.18
	25.0	10.07	3.01	10.55	3.06	11.02	3.12	11.26	3.15	11.97	3.23	12.45	3.29
	32.0	9.40	3.27	9.88	3.33	10.35	3.38	10.59	3.41	11.30	3.50	11.77	3.55
	35.0	9.11	3.39	9.59	3.45	10.06	3.51	10.30	3.53	11.01	3.62	11.49	3.67
	40.0	8.63	3.61	9.11	3.67	9.58	3.72	9.82	3.75	10.49	3.75	10.93	3.75
	43.0	8.34	3.60	8.79	3.60	9.23	3.60	9.45	3.60	10.08	3.60	10.50	3.60
	46.0	7.84	3.03	8.22	3.03	8.59	3.03	8.77	3.03	9.30	3.03	9.65	3.03
2.0+2.0+2.0+2.0+7.1	22.0	10.52	3.04	11.00	3.10	11.49	3.16	11.73	3.19	12.45	3.28	12.93	3.34
	25.0	10.23	3.15	10.71	3.21	11.19	3.27	11.43	3.30	12.16	3.39	12.64	3.45
	32.0	9.55	3.43	10.03	3.49	10.51	3.55	10.75	3.58	11.48	3.66	11.96	3.72
	35.0	9.26	3.56	9.74	3.62	10.22	3.67	10.46	3.70	11.18	3.79	11.66	3.85
	40.0	8.77	3.75	9.24	3.75	9.70	3.75	9.92	3.75	10.59	3.75	11.02	3.75
	43.0	8.47	3.60	8.92	3.60	9.36	3.60	9.57	3.60	10.21	3.60	10.62	3.60
	46.0	7.98	3.03	8.36	3.03	8.72	3.03	8.90	3.03	9.44	3.03	9.78	3.03
2.0+2.0+2.0+2.5+2.5	22.0	9.51	2.70	9.94	2.76	10.38	2.81	10.59	2.84	11.25	2.91	11.68	2.97
	25.0	9.24	2.80	9.68	2.85	10.11	2.91	10.33	2.93	10.98	3.01	11.42	3.06
	32.0	8.63	3.05	9.06	3.10	9.50	3.15	9.71	3.18	10.37	3.26	10.80	3.31
	35.0	8.36	3.16	8.80	3.21	9.23	3.27	9.45	3.29	10.10	3.37	10.54	3.43
	40.0	7.92	3.36	8.36	3.42	8.79	3.47	9.01	3.50	9.66	3.57	10.10	3.63
	43.0	7.66	3.49	8.09	3.54	8.53	3.60	8.74	3.60	9.36	3.60	9.76	3.60
	46.0	7.26	3.03	7.63	3.03	7.99	3.03	8.16	3.03	8.68	3.03	9.02	3.03
2.0+2.0+2.0+2.5+3.5	22.0	9.73	2.82	10.17	2.87	10.62	2.93	10.84	2.96	11.51	3.04	11.95	3.09
	25.0	9.46	2.92	9.90	2.97	10.35	3.03	10.57	3.06	11.24	3.14	11.68	3.19
	32.0	8.83	3.18	9.27	3.23	9.72	3.29	9.94	3.31	10.61	3.40	11.05	3.45
	35.0	8.56	3.30	9.00	3.35	9.45	3.41	9.67	3.43	10.34	3.52	10.78	3.57
	40.0	8.11	3.51	8.55	3.56	9.00	3.62	9.22	3.64	9.89	3.73	10.32	3.75
	43.0	7.84	3.60	8.27	3.60	8.70	3.60	8.91	3.60	9.53	3.60	9.93	3.60
	46.0	7.43	3.03	7.79	3.03	8.15	3.03	8.33	3.03	8.84	3.03	9.18	3.03
2.0+2.0+2.0+2.5+5.0	22.0	9.91	2.84	10.36	2.90	10.82	2.95	11.04	2.98	11.72	3.06	12.18	3.12
	25.0	9.63	2.95	10.09	3.00	10.54	3.06	10.77	3.08	11.45	3.17	11.90	3.22
	32.0	8.99	3.21	9.44	3.26	9.90	3.32	10.13	3.34	10.81	3.43	11.26	3.48
	35.0	8.72	3.33	9.17	3.38	9.62	3.44	9.85	3.46	10.53	3.55	10.98	3.60
	40.0	8.26	3.54	8.71	3.59	9.16	3.65	9.39	3.68	10.07	3.75	10.50	3.75
	43.0	7.98	3.60	8.42	3.60	8.85	3.60	9.06	3.60	9.69	3.60	10.09	3.60
	46.0	7.55	3.03	7.92	3.03	8.28	3.03	8.45	3.03	8.98	3.03	9.32	3.03

3D052454-2A

SYMBOLS

TC : Total capacity (kW)
PI : Power input (kW)

NOTES

Capacities are based on following conditions
Corresponding refrigerant piping length: 7.5 m
Level difference: 0 m

The above is the value for connecting with the following indoor units.
2.0 kW class; FTXS20D3VMW/L 2.5 kW class; FTXS25D3VMW/L
3.5 kW class; FTXS35D3VMW/L 5.0 kW class; FTXS50D2V1W/L
6.0 kW class; FTXS60EV1B 7.1 kW class; FTXS71EV1B

5 Capacity tables

5 - 2 Cooling capacity tables

5

5MKS90E

Cooling [50Hz 230V]

Combination (Capacity)	Outdoor air temp. °CDB	Indoor air temp.: °CWB											
		14°C		16°C		18°C		19°C		22°C		24°C	
		TC kW	PI kW	TC kW	PI kW	TC kW	PI kW	TC kW	PI kW	TC kW	PI kW	TC kW	PI kW
3.5+5.0	22.0	7.29	2.21	8.01	2.49	8.36	2.54	8.53	2.56	9.06	2.63	9.41	2.68
	25.0	7.29	2.42	7.79	2.58	8.14	2.62	8.32	2.65	8.84	2.72	9.20	2.77
	32.0	6.95	2.75	7.30	2.80	7.65	2.85	7.82	2.87	8.35	2.94	8.70	2.99
	35.0	6.73	2.85	7.08	2.90	7.43	2.95	7.61	2.97	8.14	3.04	8.49	3.09
	40.0	6.38	3.04	6.73	3.08	7.08	3.13	7.26	3.16	7.78	3.23	8.13	3.27
	43.0	6.17	3.15	6.52	3.20	6.87	3.25	7.04	3.27	7.57	3.34	7.92	3.39
	46.0	5.95	3.03	6.28	3.03	6.60	3.03	6.76	3.03	7.22	3.03	7.53	3.03
3.5+6.0	22.0	8.26	2.55	8.64	2.60	9.01	2.65	9.20	2.67	9.77	2.75	10.15	2.80
	25.0	8.03	2.64	8.41	2.69	8.79	2.74	8.97	2.76	9.54	2.84	9.92	2.89
	32.0	7.49	2.87	7.87	2.92	8.25	2.97	8.44	3.00	9.01	3.07	9.38	3.12
	35.0	7.26	2.98	7.64	3.03	8.02	3.08	8.21	3.10	8.78	3.18	9.16	3.23
	40.0	6.88	3.17	7.26	3.22	7.64	3.27	7.83	3.29	8.40	3.37	8.77	3.42
	43.0	6.65	3.29	7.03	3.34	7.41	3.39	7.60	3.41	8.17	3.49	8.54	3.54
	46.0	6.40	3.03	6.74	3.03	7.07	3.03	7.23	3.03	7.72	3.03	8.03	3.03
3.5+7.1	22.0	8.46	2.70	8.85	2.76	9.23	2.81	9.43	2.84	10.01	2.91	10.40	2.97
	25.0	8.22	2.80	8.61	2.85	9.00	2.91	9.19	2.93	9.77	3.01	10.16	3.06
	32.0	7.68	3.05	8.06	3.10	8.45	3.15	8.64	3.18	9.23	3.26	9.61	3.31
	35.0	7.44	3.16	7.83	3.21	8.22	3.27	8.41	3.29	8.99	3.37	9.38	3.43
	40.0	7.05	3.36	7.44	3.42	7.82	3.47	8.02	3.50	8.60	3.57	8.99	3.63
	43.0	6.81	3.49	7.20	3.54	7.59	3.60	7.78	3.60	8.35	3.60	8.72	3.60
	46.0	6.58	3.03	6.92	3.03	7.25	3.03	7.41	3.03	7.89	3.03	8.20	3.03
5.0+5.0	22.0	7.99	2.56	8.57	2.76	8.95	2.81	9.14	2.84	9.70	2.91	10.08	2.97
	25.0	7.97	2.80	8.35	2.85	8.72	2.91	8.91	2.93	9.47	3.01	9.85	3.06
	32.0	7.44	3.05	7.81	3.10	8.19	3.15	8.38	3.18	8.94	3.26	9.32	3.31
	35.0	7.21	3.16	7.59	3.21	7.96	3.27	8.15	3.29	8.71	3.37	9.09	3.43
	40.0	6.83	3.36	7.21	3.42	7.58	3.47	7.77	3.50	8.33	3.57	8.71	3.63
	43.0	6.60	3.49	6.98	3.54	7.36	3.60	7.54	3.60	8.10	3.60	8.46	3.60
	46.0	6.38	3.03	6.74	3.03	7.06	3.03	7.22	3.03	7.69	3.03	7.99	3.03
5.0+6.0	22.0	8.57	2.66	8.96	2.71	9.36	2.77	9.55	2.79	10.14	2.87	10.53	2.92
	25.0	8.33	2.76	8.72	2.81	9.12	2.86	9.31	2.89	9.90	2.97	10.29	3.02
	32.0	7.78	3.00	8.17	3.05	8.56	3.10	8.76	3.13	9.35	3.21	9.74	3.26
	35.0	7.54	3.11	7.93	3.17	8.32	3.22	8.52	3.24	9.11	3.32	9.50	3.37
	40.0	7.14	3.31	7.53	3.36	7.93	3.42	8.12	3.44	8.71	3.52	9.10	3.57
	43.0	6.90	3.44	7.30	3.49	7.69	3.54	7.89	3.57	8.47	3.60	8.84	3.60
	46.0	6.64	3.03	6.98	3.03	7.32	3.03	7.48	3.03	7.96	3.03	8.28	3.03
5.0+7.1	22.0	8.95	3.01	9.36	3.07	9.77	3.13	9.98	3.15	10.59	3.24	11.00	3.30
	25.0	8.70	3.12	9.11	3.17	9.52	3.23	9.73	3.26	10.34	3.35	10.75	3.41
	32.0	8.12	3.39	8.53	3.45	8.94	3.51	9.15	3.54	9.76	3.62	10.17	3.68
	35.0	7.87	3.52	8.28	3.58	8.69	3.63	8.90	3.66	9.52	3.75	9.93	3.81
	40.0	7.46	3.74	7.87	3.75	8.28	3.75	8.49	3.75	9.09	3.75	9.48	3.75
	43.0	7.21	3.60	7.62	3.60	8.03	3.60	8.24	3.60	8.85	3.60	9.23	3.60
	46.0	6.96	3.03	7.37	3.03	7.72	3.03	7.88	3.03	8.36	3.03	8.67	3.03

3D052453-2A

SYMBOLS

TC : Total capacity (kW)
PI : Power input (kW)

NOTES

Capacities are based on following conditions
Corresponding refrigerant piping length: 7.5 m
Level difference: 0 m

The above is the value for connecting with the following indoor units.
2.0 kW class; FTXS20D3VMW/L 2.5 kW class; FTXS25D3VMW/L
3.5 kW class; FTXS35D3VMW/L 5.0 kW class; FTXS50D2V1W/L
6.0 kW class; FTXS60EV1B 7.1 kW class; FTXS71EV1B

5 Capacity tables

5 - 2 Cooling capacity tables

5MKS90E													
Cooling [50Hz 230V]													
Combination (Capacity)	Outdoor air temp. °CDB	Indoor air temp.: °CWB											
		14°C		16°C		18°C		19°C		22°C		24°C	
		TC kW	PI kW	TC kW	PI kW	TC kW	PI kW	TC kW	PI kW	TC kW	PI kW	TC kW	PI kW
2.0+2.0+2.0+2.5+6.0	22.0	10.36	2.90	10.84	2.96	11.31	3.01	11.55	3.04	12.26	3.13	12.73	3.18
	25.0	10.07	3.01	10.55	3.06	11.02	3.12	11.26	3.15	11.97	3.23	12.45	3.29
	32.0	9.40	3.27	9.88	3.33	10.35	3.38	10.59	3.41	11.30	3.50	11.77	3.55
	35.0	9.11	3.39	9.59	3.45	10.06	3.51	10.30	3.53	11.01	3.62	11.49	3.67
	40.0	8.63	3.61	9.11	3.67	9.58	3.72	9.82	3.75	10.49	3.75	10.93	3.75
	43.0	8.34	3.60	8.79	3.60	9.23	3.60	9.45	3.60	10.08	3.60	10.50	3.60
	46.0	7.84	3.03	8.22	3.03	8.59	3.03	8.77	3.03	9.30	3.03	9.65	3.03
2.0+2.0+2.0+2.5+7.1	22.0	10.56	3.04	11.05	3.10	11.53	3.16	11.77	3.19	12.50	3.28	12.98	3.34
	25.0	10.27	3.15	10.75	3.21	11.24	3.27	11.48	3.30	12.20	3.39	12.69	3.45
	32.0	9.58	3.43	10.07	3.49	10.55	3.55	10.79	3.58	11.52	3.66	12.00	3.72
	35.0	9.29	3.56	9.77	3.62	10.26	3.67	10.50	3.70	11.23	3.79	11.71	3.85
	40.0	8.80	3.75	9.27	3.75	9.73	3.75	9.96	3.75	10.62	3.75	11.06	3.75
	43.0	8.50	3.60	8.95	3.60	9.39	3.60	9.61	3.60	10.24	3.60	10.66	3.60
	46.0	8.01	3.03	8.38	3.03	8.75	3.03	8.93	3.03	9.46	3.03	9.81	3.03
2.0+2.0+2.0+3.5+3.5	22.0	9.51	2.70	9.94	2.76	10.38	2.81	10.59	2.84	11.25	2.91	11.68	2.97
	25.0	9.24	2.80	9.68	2.85	10.11	2.91	10.33	2.93	10.98	3.01	11.42	3.06
	32.0	8.63	3.05	9.06	3.10	9.50	3.15	9.71	3.18	10.37	3.26	10.80	3.31
	35.0	8.36	3.16	8.80	3.21	9.23	3.27	9.45	3.29	10.10	3.37	10.54	3.43
	40.0	7.92	3.36	8.36	3.42	8.79	3.47	9.01	3.50	9.66	3.57	10.10	3.63
	43.0	7.66	3.49	8.09	3.54	8.53	3.60	8.74	3.60	9.36	3.60	9.76	3.60
	46.0	7.26	3.03	7.63	3.03	7.99	3.03	8.16	3.03	8.68	3.03	9.02	3.03
2.0+2.0+2.0+3.5+5.0	22.0	9.92	2.84	10.37	2.90	10.83	2.95	11.05	2.98	11.74	3.06	12.19	3.12
	25.0	9.64	2.95	10.10	3.00	10.55	3.06	10.78	3.08	11.46	3.17	11.91	3.22
	32.0	9.00	3.21	9.45	3.26	9.91	3.32	10.14	3.34	10.82	3.43	11.27	3.48
	35.0	8.72	3.33	9.18	3.38	9.63	3.44	9.86	3.46	10.54	3.55	11.00	3.60
	40.0	8.27	3.54	8.72	3.59	9.17	3.65	9.40	3.68	10.08	3.75	10.51	3.75
	43.0	7.99	3.60	8.43	3.60	8.86	3.60	9.07	3.60	9.70	3.60	10.10	3.60
	46.0	7.55	3.03	7.92	3.03	8.28	3.03	8.46	3.03	8.98	3.03	9.32	3.03
2.0+2.0+2.0+3.5+6.0	22.0	10.55	3.03	11.04	3.09	11.52	3.15	11.76	3.18	12.48	3.27	12.97	3.33
	25.0	10.26	3.14	10.74	3.20	11.23	3.26	11.47	3.29	12.19	3.38	12.68	3.44
	32.0	9.57	3.42	10.06	3.48	10.54	3.54	10.78	3.57	11.51	3.65	11.99	3.71
	35.0	9.28	3.55	9.77	3.61	10.25	3.66	10.49	3.69	11.21	3.78	11.70	3.84
	40.0	8.79	3.75	9.26	3.75	9.72	3.75	9.95	3.75	10.62	3.75	11.05	3.75
	43.0	8.49	3.60	8.94	3.60	9.38	3.60	9.60	3.60	10.23	3.60	10.65	3.60
	46.0	8.00	3.03	8.37	3.03	8.74	3.03	8.92	3.03	9.45	3.03	9.80	3.03
2.0+2.0+2.5+2.5+2.5	22.0	9.70	2.82	10.14	2.87	10.58	2.93	10.81	2.96	11.47	3.04	11.92	3.09
	25.0	9.43	2.92	9.87	2.97	10.32	3.03	10.54	3.06	11.20	3.14	11.65	3.19
	32.0	8.80	3.18	9.24	3.23	9.69	3.29	9.91	3.31	10.58	3.40	11.02	3.45
	35.0	8.53	3.30	8.97	3.35	9.42	3.41	9.64	3.43	10.31	3.52	10.75	3.57
	40.0	8.08	3.51	8.52	3.56	8.97	3.62	9.19	3.64	9.86	3.73	10.29	3.75
	43.0	7.81	3.60	8.25	3.60	8.67	3.60	8.88	3.60	9.50	3.60	9.90	3.60
	46.0	7.41	3.03	7.77	3.03	8.13	3.03	8.31	3.03	8.82	3.03	9.16	3.03

3D052454-2A

SYMBOLS

TC : Total capacity (kW)
PI : Power input (kW)

NOTES

Capacities are based on following conditions
Corresponding refrigerant piping length: 7.5 m
Level difference: 0 m

The above is the value for connecting with the following indoor units.
2.0 kW class; FTXS20D3VMW/L 2.5 kW class; FTXS25D3VMW/L
3.5 kW class; FTXS35D3VMW/L 5.0 kW class; FTXS50D2V1W/L
6.0 kW class; FTXS60EV1B 7.1 kW class; FTXS71EV1B

5 Capacity tables

5 - 2 Cooling capacity tables

5

5MKS90E

Cooling [50Hz 230V]

Combination (Capacity)	Outdoor air temp. °CDB	Indoor air temp.: °CWB											
		14°C		16°C		18°C		19°C		22°C		24°C	
		TC kW	PI kW	TC kW	PI kW	TC kW	PI kW	TC kW	PI kW	TC kW	PI kW	TC kW	PI kW
2.0+2.0+2.5+2.5+3.5	22.0	9.73	2.82	10.17	2.87	10.62	2.93	10.84	2.96	11.51	3.04	11.95	3.09
	25.0	9.46	2.92	9.90	2.97	10.35	3.03	10.57	3.06	11.24	3.14	11.68	3.19
	32.0	8.83	3.18	9.27	3.23	9.72	3.29	9.94	3.31	10.61	3.40	11.05	3.45
	35.0	8.56	3.30	9.00	3.35	9.45	3.41	9.67	3.43	10.34	3.52	10.78	3.57
	40.0	8.11	3.51	8.55	3.56	9.00	3.62	9.22	3.64	9.89	3.73	10.32	3.75
	43.0	7.84	3.60	8.27	3.60	8.70	3.60	8.91	3.60	9.53	3.60	9.93	3.60
	46.0	7.43	3.03	7.79	3.03	8.15	3.03	8.33	3.03	8.84	3.03	9.18	3.03
2.0+2.0+2.5+2.5+5.0	22.0	9.91	2.84	10.36	2.90	10.82	2.95	11.04	2.98	11.72	3.06	12.18	3.12
	25.0	9.63	2.95	10.09	3.00	10.54	3.06	10.77	3.08	11.45	3.17	11.90	3.22
	32.0	8.99	3.21	9.44	3.26	9.90	3.32	10.13	3.34	10.81	3.43	11.26	3.48
	35.0	8.72	3.33	9.17	3.38	9.62	3.44	9.85	3.46	10.53	3.55	10.98	3.60
	40.0	8.26	3.54	8.71	3.59	9.16	3.65	9.39	3.68	10.07	3.75	10.50	3.75
	43.0	7.98	3.60	8.42	3.60	8.85	3.60	9.06	3.60	9.69	3.60	10.09	3.60
	46.0	7.55	3.03	7.92	3.03	8.28	3.03	8.45	3.03	8.98	3.03	9.32	3.03
2.0+2.0+2.5+2.5+6.0	22.0	10.51	3.03	10.99	3.09	11.47	3.15	11.72	3.18	12.44	3.27	12.92	3.33
	25.0	10.22	3.14	10.70	3.20	11.18	3.26	11.42	3.29	12.15	3.38	12.63	3.44
	32.0	9.54	3.42	10.02	3.48	10.50	3.54	10.74	3.57	11.46	3.65	11.95	3.71
	35.0	9.25	3.55	9.73	3.61	10.21	3.66	10.45	3.69	11.17	3.78	11.65	3.84
	40.0	8.76	3.75	9.23	3.75	9.69	3.75	9.91	3.75	10.58	3.75	11.01	3.75
	43.0	8.47	3.60	8.91	3.60	9.35	3.60	9.57	3.60	10.20	3.60	10.61	3.60
	46.0	7.97	3.03	8.35	3.03	8.72	3.03	8.90	3.03	9.43	3.03	9.77	3.03
2.0+2.0+2.5+3.5+3.5	22.0	9.74	2.83	10.18	2.88	10.63	2.94	10.85	2.96	11.52	3.05	11.97	3.10
	25.0	9.47	2.93	9.91	2.98	10.36	3.04	10.58	3.07	11.25	3.15	11.70	3.20
	32.0	8.84	3.19	9.28	3.24	9.73	3.30	9.95	3.32	10.62	3.41	11.07	3.46
	35.0	8.57	3.31	9.01	3.36	9.46	3.42	9.68	3.44	10.35	3.53	10.79	3.58
	40.0	8.11	3.52	8.56	3.57	9.01	3.63	9.23	3.65	9.90	3.74	10.33	3.75
	43.0	7.84	3.60	8.28	3.60	8.71	3.60	8.92	3.60	9.54	3.60	9.94	3.60
	46.0	7.44	3.03	7.80	3.03	8.16	3.03	8.33	3.03	8.85	3.03	9.19	3.03
2.0+2.0+2.5+3.5+5.0	22.0	10.48	3.50	10.96	3.57	11.44	3.64	11.68	3.67	12.40	3.77	12.88	3.84
	25.0	10.19	3.63	10.67	3.69	11.15	3.76	11.39	3.80	12.11	3.90	12.59	3.97
	32.0	9.51	3.95	9.99	4.01	10.47	4.08	10.71	4.12	11.42	4.18	11.88	4.18
	35.0	9.22	4.02	9.70	4.02	10.18	4.02	10.41	4.02	11.09	4.02	11.53	4.02
	40.0	8.73	3.75	9.21	3.75	9.69	3.75	9.93	3.75	10.61	3.75	11.02	3.75
	43.0	8.44	3.60	8.92	3.60	9.40	3.60	9.64	3.60	10.35	3.60	10.75	3.60
	46.0	8.15	3.03	8.63	3.03	8.99	3.03	9.16	3.03	9.66	3.03	9.99	3.03
2.0+2.0+3.5+3.5+3.5	22.0	9.75	2.83	10.19	2.88	10.64	2.94	10.86	2.96	11.53	3.05	11.98	3.10
	25.0	9.48	2.93	9.92	2.98	10.37	3.04	10.59	3.07	11.26	3.15	11.71	3.20
	32.0	8.84	3.19	9.29	3.24	9.74	3.30	9.96	3.32	10.63	3.41	11.08	3.46
	35.0	8.57	3.31	9.02	3.36	9.47	3.42	9.69	3.44	10.36	3.53	10.81	3.58
	40.0	8.12	3.52	8.57	3.57	9.02	3.63	9.24	3.65	9.91	3.74	10.34	3.75
	43.0	7.85	3.60	8.29	3.60	8.72	3.60	8.93	3.60	9.55	3.60	9.95	3.60
	46.0	7.44	3.03	7.81	3.03	8.16	3.03	8.34	3.03	8.86	3.03	9.20	3.03

3D052454-3A

SYMBOLS

TC : Total capacity (kW)
PI : Power input (kW)

NOTES

Capacities are based on following conditions
Corresponding refrigerant piping length: 7.5 m
Level difference: 0 m

The above is the value for connecting with the following indoor units.
2.0 kW class; FTXS20D3VMW/L
3.5 kW class; FTXS35D3VMW/L
6.0 kW class; FTXS60EV1B
2.5 kW class; FTXS25D3VMW/L
5.0 kW class; FTXS50D2V1W/L
7.1 kW class; FTXS71EV1B

5 Capacity tables

5 - 2 Cooling capacity tables

5MKS90E													
Cooling [50Hz 230V]													
Combination (Capacity)	Outdoor air temp. °CDB	Indoor air temp.: °CWB											
		14°C		16°C		18°C		19°C		22°C		24°C	
		TC kW	PI kW	TC kW	PI kW	TC kW	PI kW	TC kW	PI kW	TC kW	PI kW	TC kW	PI kW
2.0+2.5+2.5+2.5+2.5	22.0	9.73	2.82	10.17	2.87	10.62	2.93	10.84	2.96	11.51	3.04	11.95	3.09
	25.0	9.46	2.92	9.90	2.97	10.35	3.03	10.57	3.06	11.24	3.14	11.68	3.19
	32.0	8.83	3.18	9.27	3.23	9.72	3.29	9.94	3.31	10.61	3.40	11.05	3.45
	35.0	8.56	3.30	9.00	3.35	9.45	3.41	9.67	3.43	10.34	3.52	10.78	3.57
	40.0	8.11	3.51	8.55	3.56	9.00	3.62	9.22	3.64	9.89	3.73	10.32	3.75
	43.0	7.84	3.60	8.27	3.60	8.70	3.60	8.91	3.60	9.53	3.60	9.93	3.60
	46.0	7.43	3.03	7.79	3.03	8.15	3.03	8.33	3.03	8.84	3.03	9.18	3.03
2.0+2.5+2.5+2.5+3.5	22.0	9.73	2.82	10.17	2.87	10.62	2.93	10.84	2.96	11.51	3.04	11.95	3.09
	25.0	9.46	2.92	9.90	2.97	10.35	3.03	10.57	3.06	11.24	3.14	11.68	3.19
	32.0	8.83	3.18	9.27	3.23	9.72	3.29	9.94	3.31	10.61	3.40	11.05	3.45
	35.0	8.56	3.30	9.00	3.35	9.45	3.41	9.67	3.43	10.34	3.52	10.78	3.57
	40.0	8.11	3.51	8.55	3.56	9.00	3.62	9.22	3.64	9.89	3.73	10.32	3.75
	43.0	7.84	3.60	8.27	3.60	8.70	3.60	8.91	3.60	9.53	3.60	9.93	3.60
	46.0	7.43	3.03	7.79	3.03	8.15	3.03	8.33	3.03	8.84	3.03	9.18	3.03
2.0+2.5+2.5+2.5+5.0	22.0	9.91	2.84	10.36	2.90	10.82	2.95	11.04	2.98	11.72	3.06	12.18	3.12
	25.0	9.63	2.95	10.09	3.00	10.54	3.06	10.77	3.08	11.45	3.17	11.90	3.22
	32.0	8.99	3.21	9.44	3.26	9.90	3.32	10.13	3.34	10.81	3.43	11.26	3.48
	35.0	8.72	3.33	9.17	3.38	9.62	3.44	9.85	3.46	10.53	3.55	10.98	3.60
	40.0	8.26	3.54	8.71	3.59	9.16	3.65	9.39	3.68	10.07	3.75	10.50	3.75
	43.0	7.98	3.60	8.42	3.60	8.85	3.60	9.06	3.60	9.69	3.60	10.09	3.60
	46.0	7.55	3.03	7.92	3.03	8.28	3.03	8.45	3.03	8.98	3.03	9.32	3.03
2.0+2.5+2.5+2.5+6.0	22.0	10.55	3.10	11.04	3.16	11.52	3.22	11.76	3.25	12.48	3.34	12.97	3.40
	25.0	10.26	3.21	10.74	3.27	11.23	3.33	11.47	3.36	12.19	3.45	12.68	3.51
	32.0	9.57	3.49	10.06	3.55	10.54	3.61	10.78	3.64	11.51	3.73	11.99	3.79
	35.0	9.28	3.62	9.77	3.68	10.25	3.74	10.49	3.77	11.21	3.86	11.70	3.92
	40.0	8.79	3.75	9.26	3.75	9.71	3.75	9.94	3.75	10.60	3.75	11.03	3.75
	43.0	8.50	3.60	8.96	3.60	9.39	3.60	9.61	3.60	10.24	3.60	10.65	3.60
	46.0	8.03	3.03	8.40	3.03	8.76	3.03	8.94	3.03	9.47	3.03	9.82	3.03
2.0+2.5+2.5+3.5+3.5	22.0	9.74	2.83	10.18	2.88	10.63	2.94	10.85	2.96	11.52	3.05	11.97	3.10
	25.0	9.47	2.93	9.91	2.98	10.36	3.04	10.58	3.07	11.25	3.15	11.70	3.20
	32.0	8.84	3.19	9.28	3.24	9.73	3.30	9.95	3.32	10.62	3.41	11.07	3.46
	35.0	8.57	3.31	9.01	3.36	9.46	3.42	9.68	3.44	10.35	3.53	10.79	3.58
	40.0	8.11	3.52	8.56	3.57	9.01	3.63	9.23	3.65	9.90	3.74	10.33	3.75
	43.0	7.84	3.60	8.28	3.60	8.71	3.60	8.92	3.60	9.54	3.60	9.94	3.60
	46.0	7.44	3.03	7.80	3.03	8.16	3.03	8.33	3.03	8.85	3.03	9.19	3.03
2.0+2.5+2.5+3.5+5.0	22.0	10.48	3.50	10.96	3.57	11.44	3.64	11.68	3.67	12.40	3.77	12.88	3.84
	25.0	10.19	3.63	10.67	3.69	11.15	3.76	11.39	3.80	12.11	3.90	12.59	3.97
	32.0	9.51	3.95	9.99	4.01	10.47	4.08	10.71	4.12	11.42	4.18	11.88	4.18
	35.0	9.22	4.02	9.70	4.02	10.18	4.02	10.41	4.02	11.09	4.02	11.53	4.02
	40.0	8.73	3.75	9.21	3.75	9.69	3.75	9.93	3.75	10.61	3.75	11.02	3.75
	43.0	8.44	3.60	8.92	3.60	9.40	3.60	9.64	3.60	10.35	3.60	10.75	3.60
	46.0	8.15	3.03	8.63	3.03	8.99	3.03	9.16	3.03	9.66	3.03	9.99	3.03

itions

The above is the value for connecting

3D052454-3A

SYMBOLS
 TC : Total capacity (kW)
 PI : Power input (kW)

NOTES
 Capacities are based on following conditions
 Corresponding refrigerant piping length: 7.5 m
 Level difference: 0 m

The above is the value for connecting with the following indoor units.
 2.0 kW class; FTXS20D3VMW/L 2.5 kW class; FTXS25D3VMW/L
 3.5 kW class; FTXS35D3VMW/L 5.0 kW class; FTXS50D2V1W/L
 6.0 kW class; FTXS60EV1B 7.1 kW class; FTXS71EV1B

5 Capacity tables

5 - 2 Cooling capacity tables

5

5MKS90E

Cooling [50Hz 230V]

Combination (Capacity)	Outdoor air temp. °CDB	Indoor air temp.: °CWB											
		14°C		16°C		18°C		19°C		22°C		24°C	
		TC kW	PI kW	TC kW	PI kW	TC kW	PI kW	TC kW	PI kW	TC kW	PI kW	TC kW	PI kW
2.0+2.5+3.5+3.5+3.5	22.0	10.18	3.27	10.65	3.33	11.11	3.40	11.35	3.43	12.04	3.53	12.51	3.59
	25.0	9.90	3.39	10.36	3.45	10.83	3.52	11.06	3.55	11.76	3.64	12.23	3.71
	32.0	9.24	3.69	9.70	3.75	10.17	3.81	10.40	3.85	11.10	3.94	11.57	4.01
	35.0	8.95	3.83	9.42	3.89	9.89	3.95	10.12	3.98	10.80	4.02	11.25	4.02
	40.0	8.48	3.75	8.95	3.75	9.42	3.75	9.63	3.75	10.27	3.75	10.68	3.75
	43.0	8.20	3.60	8.67	3.60	9.13	3.60	9.37	3.60	9.98	3.60	10.38	3.60
	46.0	7.92	3.03	8.29	3.03	8.64	3.03	8.81	3.03	9.31	3.03	9.64	3.03
2.5+2.5+2.5+2.5+2.5	22.0	9.73	2.82	10.17	2.87	10.62	2.93	10.84	2.96	11.51	3.04	11.95	3.09
	25.0	9.46	2.92	9.90	2.97	10.35	3.03	10.57	3.06	11.24	3.14	11.68	3.19
	32.0	8.83	3.18	9.27	3.23	9.72	3.29	9.94	3.31	10.61	3.40	11.05	3.45
	35.0	8.56	3.30	9.00	3.35	9.45	3.41	9.67	3.43	10.34	3.52	10.78	3.57
	40.0	8.11	3.51	8.55	3.56	9.00	3.62	9.22	3.64	9.89	3.73	10.32	3.75
	43.0	7.84	3.60	8.27	3.60	8.70	3.60	8.91	3.60	9.53	3.60	9.93	3.60
	46.0	7.43	3.03	7.79	3.03	8.15	3.03	8.33	3.03	8.84	3.03	9.18	3.03
2.5+2.5+2.5+2.5+3.5	22.0	9.73	2.82	10.17	2.87	10.62	2.93	10.84	2.96	11.51	3.04	11.95	3.09
	25.0	9.46	2.92	9.90	2.97	10.35	3.03	10.57	3.06	11.24	3.14	11.68	3.19
	32.0	8.83	3.18	9.27	3.23	9.72	3.29	9.94	3.31	10.61	3.40	11.05	3.45
	35.0	8.56	3.30	9.00	3.35	9.45	3.41	9.67	3.43	10.34	3.52	10.78	3.57
	40.0	8.11	3.51	8.55	3.56	9.00	3.62	9.22	3.64	9.89	3.73	10.32	3.75
	43.0	7.84	3.60	8.27	3.60	8.70	3.60	8.91	3.60	9.53	3.60	9.93	3.60
	46.0	7.43	3.03	7.79	3.03	8.15	3.03	8.33	3.03	8.84	3.03	9.18	3.03
2.5+2.5+2.5+2.5+5.0	22.0	10.47	3.50	10.95	3.57	11.43	3.64	11.67	3.67	12.39	3.77	12.87	3.84
	25.0	10.18	3.63	10.66	3.69	11.14	3.76	11.38	3.80	12.10	3.90	12.58	3.97
	32.0	9.50	3.95	9.98	4.01	10.46	4.08	10.70	4.12	11.41	4.18	11.87	4.18
	35.0	9.21	4.02	9.69	4.02	10.17	4.02	10.40	4.02	11.08	4.02	11.52	4.02
	40.0	8.73	3.75	9.21	3.75	9.69	3.75	9.93	3.75	10.60	3.75	11.01	3.75
	43.0	8.44	3.60	8.92	3.60	9.39	3.60	9.63	3.60	10.35	3.60	10.74	3.60
	46.0	8.14	3.03	8.62	3.03	8.98	3.03	9.15	3.03	9.66	3.03	9.99	3.03
2.5+2.5+2.5+3.5+3.5	22.0	9.74	2.83	10.18	2.88	10.63	2.94	10.85	2.96	11.52	3.05	11.97	3.10
	25.0	9.47	2.93	9.91	2.98	10.36	3.04	10.58	3.07	11.25	3.15	11.70	3.20
	32.0	8.84	3.19	9.28	3.24	9.73	3.30	9.95	3.32	10.62	3.41	11.07	3.46
	35.0	8.57	3.31	9.01	3.36	9.46	3.42	9.68	3.44	10.35	3.53	10.79	3.58
	40.0	8.11	3.52	8.56	3.57	9.01	3.63	9.23	3.65	9.90	3.74	10.33	3.75
	43.0	7.84	3.60	8.28	3.60	8.71	3.60	8.92	3.60	9.54	3.60	9.94	3.60
	46.0	7.44	3.03	7.80	3.03	8.16	3.03	8.33	3.03	8.85	3.03	9.19	3.03
2.5+2.5+3.5+3.5+3.5	22.0	10.18	3.27	10.65	3.33	11.11	3.40	11.35	3.43	12.04	3.53	12.51	3.59
	25.0	9.90	3.39	10.36	3.45	10.83	3.52	11.06	3.55	11.76	3.64	12.23	3.71
	32.0	9.24	3.69	9.70	3.75	10.17	3.81	10.40	3.85	11.10	3.94	11.57	4.01
	35.0	8.95	3.83	9.42	3.89	9.89	3.95	10.12	3.98	10.80	4.02	11.25	4.02
	40.0	8.48	3.75	8.95	3.75	9.42	3.75	9.63	3.75	10.27	3.75	10.68	3.75
	43.0	8.20	3.60	8.67	3.60	9.13	3.60	9.37	3.60	9.98	3.60	10.38	3.60
	46.0	7.92	3.03	8.29	3.03	8.64	3.03	8.81	3.03	9.31	3.03	9.64	3.03

3D052454-4A

SYMBOLS

TC : Total capacity (kW)
PI : Power input (kW)

NOTES

Capacities are based on following conditions
Corresponding refrigerant piping length: 7.5 m
Level difference: 0 m

The above is the value for connecting with the following indoor units.
2.0 kW class; FTXS20D3VMW/L
3.5 kW class; FTXS35D3VMW/L
6.0 kW class; FTXS60EV1B
2.5 kW class; FTXS25D3VMW/L
5.0 kW class; FTXS50D2V1W/L
7.1 kW class; FTXS71EV1B

6 Dimensional drawing & centre of gravity

6 - 1 Dimensional drawing

2MKS40D unit (mm)

Drain outlet (I.D. ϕ 15.9 hose for connection)

4-cuts for anchor bolts (M8 or M10)

Interconnecting piping and wiring inlet

Outdoor air thermistor

Brand name label

2-Terminal strip with earth terminal

Name plate

Service port

Minimum space for air passage

Wall height on air outlet side = less than 1200

In case of removing stop valve cover

- <room A> Liquid stop valve (ϕ 6.4 Cut) Gas stop valve (ϕ 9.5 Cut)
- <room B> Liquid stop valve (ϕ 6.4 Cut) Gas stop valve (ϕ 9.5 Cut)

3D039393A

3MKS50E unit (mm)

Minimum space for air passage

Wall height on air outlet side = less than 1200

300 or more

2-cuts for anchor bolts (M8 or M10)

Drain outlet (I.D. ϕ 15.9 hose for connection)

2- ϕ 12 Hole (M8 or M10)

		A
Liquid	ϕ 6.4	95
Gas	ϕ 9.5	85

	DIMENSIONS A
H \leq 1200	350
H > 1200	600

Installation space for discharge side (mm)

4-Earth terminal

4-Terminal strip

Interconnecting piping and wiring inlet

Outdoor air thermistor

Name plate

Liquid stop valve

Service port

Gas stop valve

- <room A> Gas pipe (ϕ 9.5 single union) Liquid pipe (ϕ 6.4 single union)
- <room B> Gas pipe (ϕ 9.5 single union) Liquid pipe (ϕ 6.4 single union)
- <room C> Gas pipe (ϕ 9.5 single union) Liquid pipe (ϕ 6.4 single union)

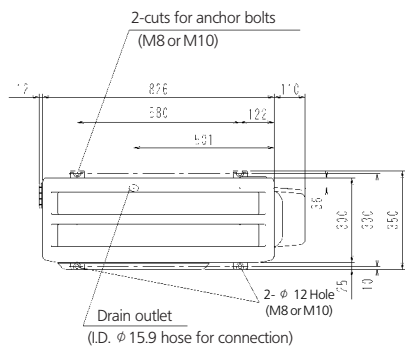
3D051792

6 Dimensional drawing & centre of gravity

6 - 1 Dimensional drawing

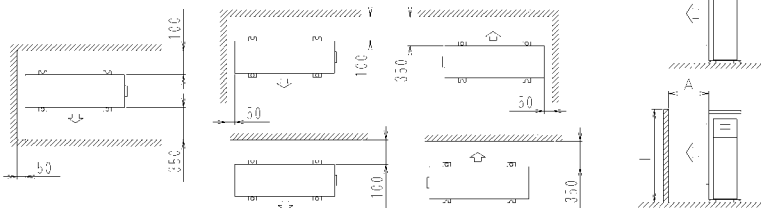
4MK58E

unit (mm)



Minimum space for air passage

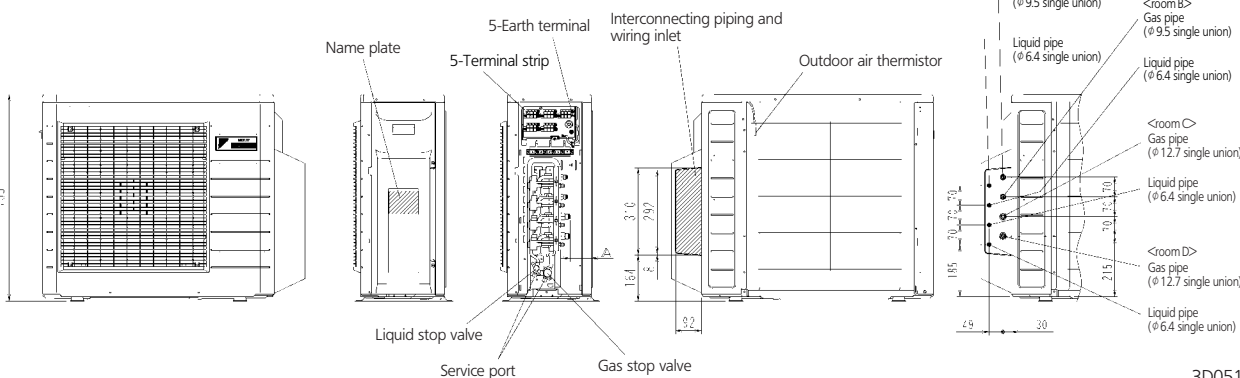
Wall height on air outlet side = less than 1200



		A
Liquid	φ 6.4	95
Gas	φ 9.5	85
	φ 12.7	76

DIMENSIONS A	
H ≤ 1200	350
H > 1200	600

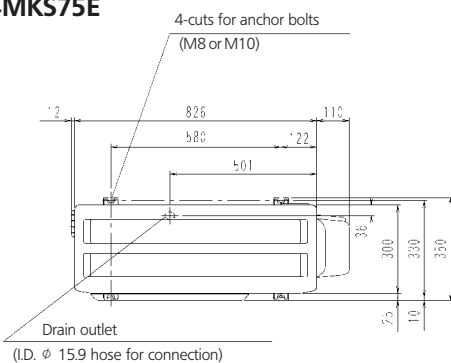
Installation space for discharge side (mm)



3D051793

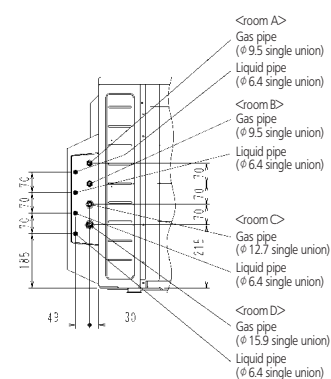
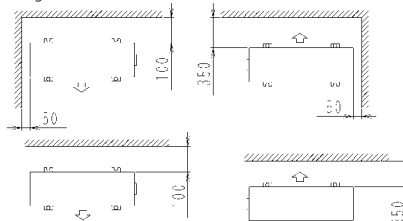
4MK575E

unit (mm)

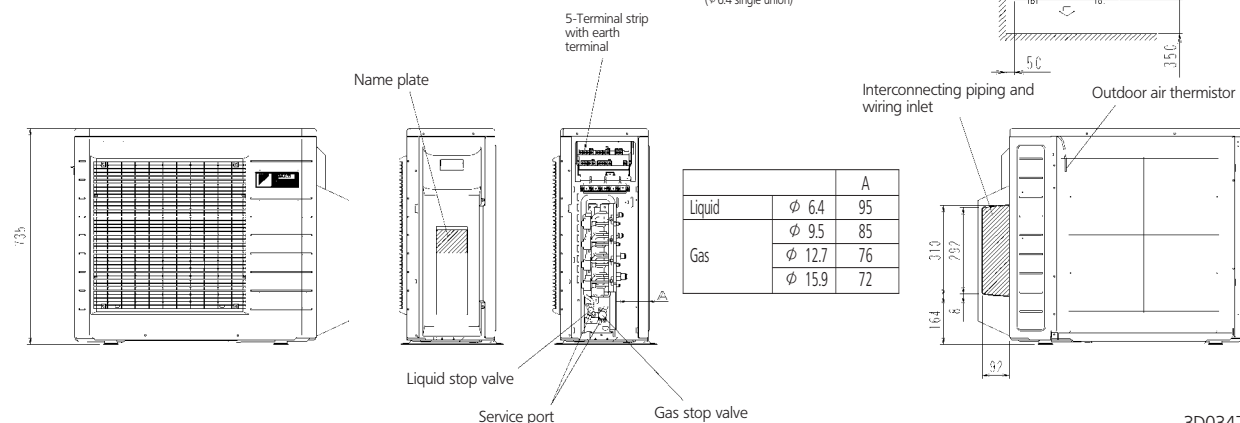


Minimum space for air passage

Wall height on air outlet side = less than 1200



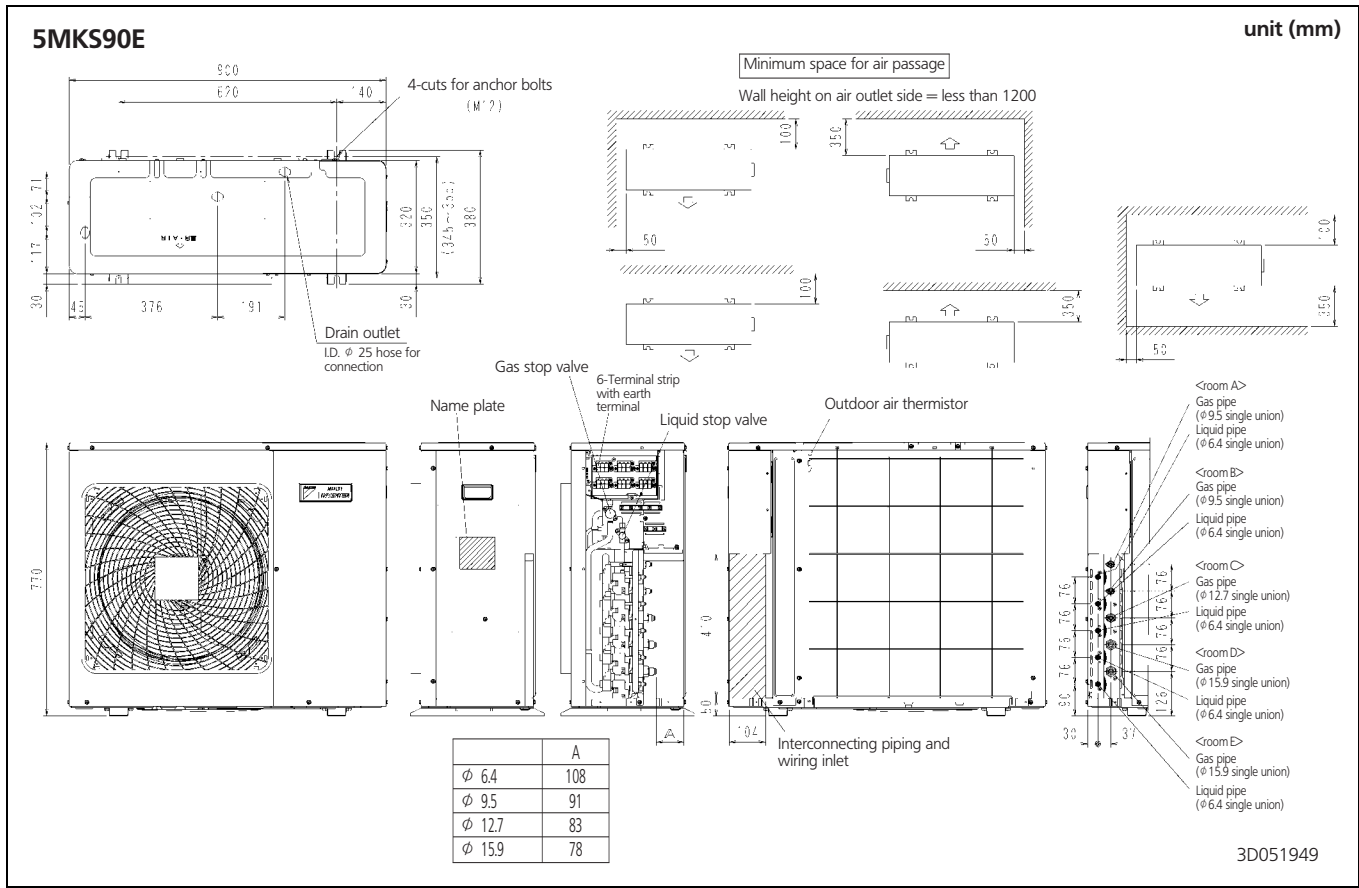
		A
Liquid	φ 6.4	95
	φ 9.5	85
Gas	φ 12.7	76
	φ 15.9	72



3D034734F

6 Dimensional drawing & centre of gravity

6 - 1 Dimensional drawing

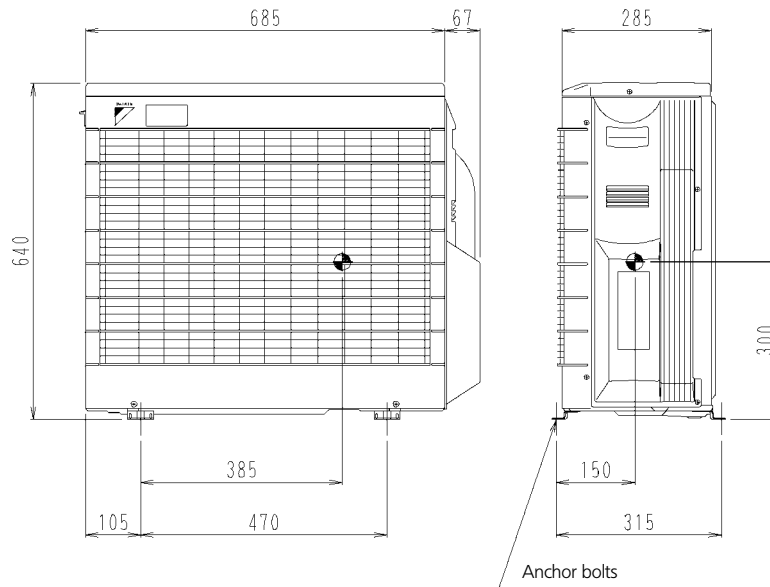


6 Dimensional drawing & centre of gravity

6 - 2 Centre of gravity

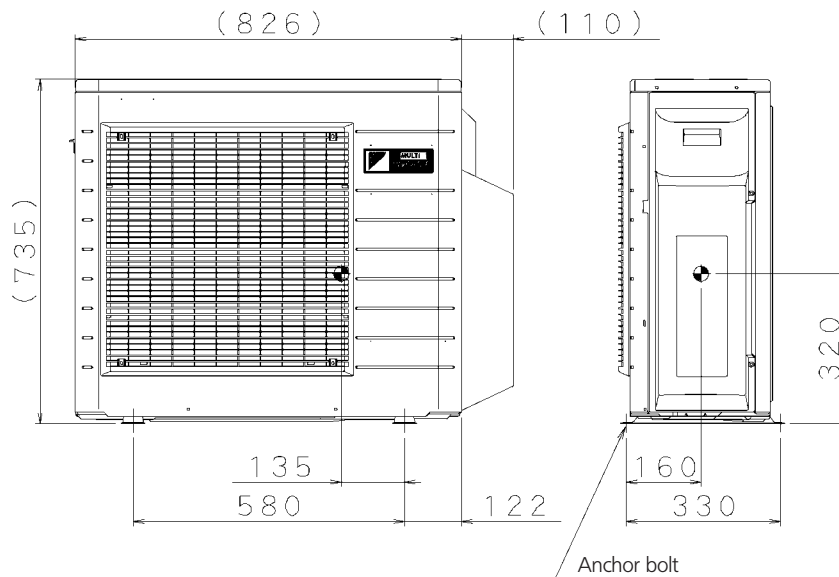
6

2MKS40D



4D040427A

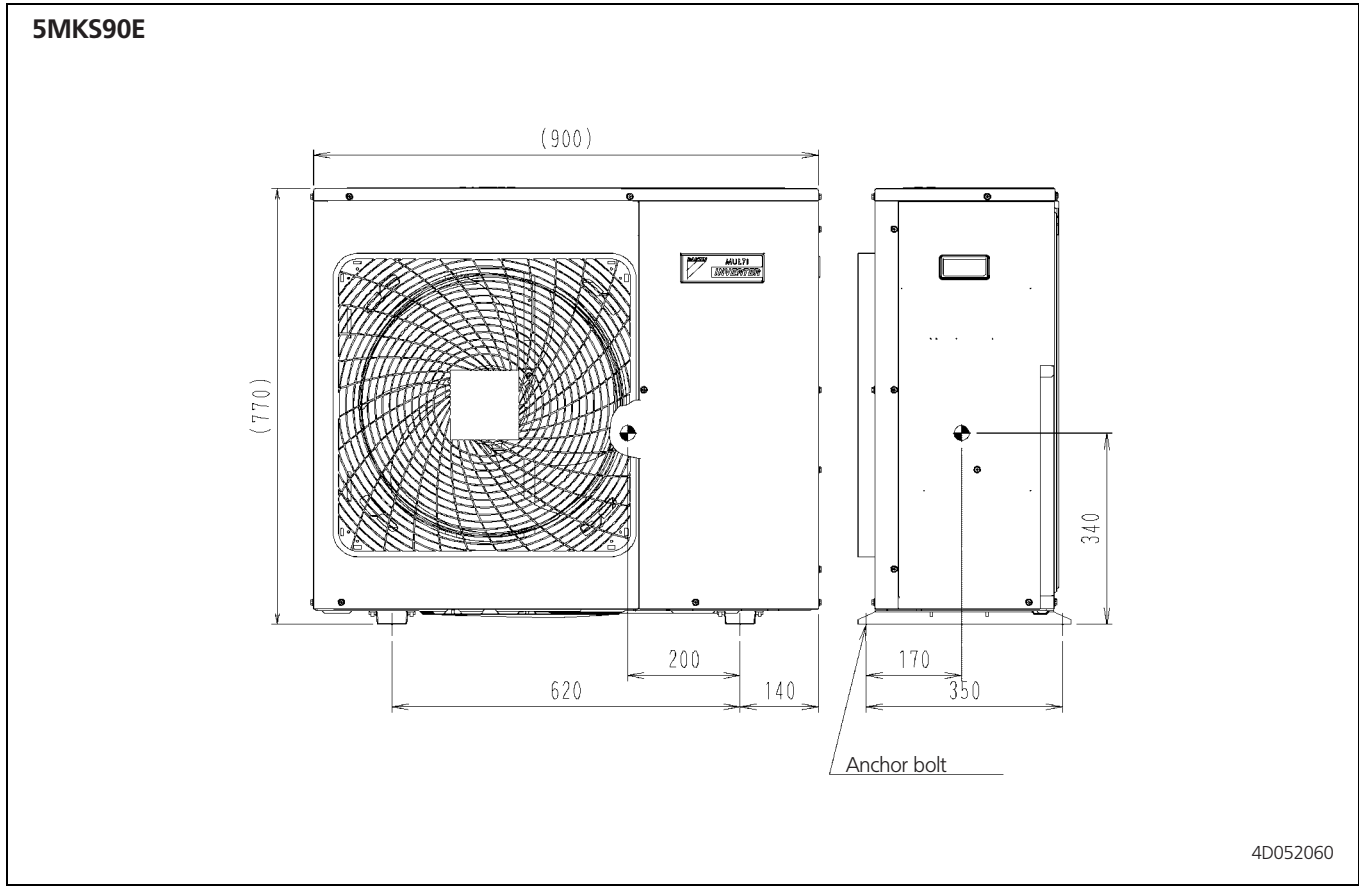
3MKS50E, 4MKS58E, 4MKS75E



4D037024J

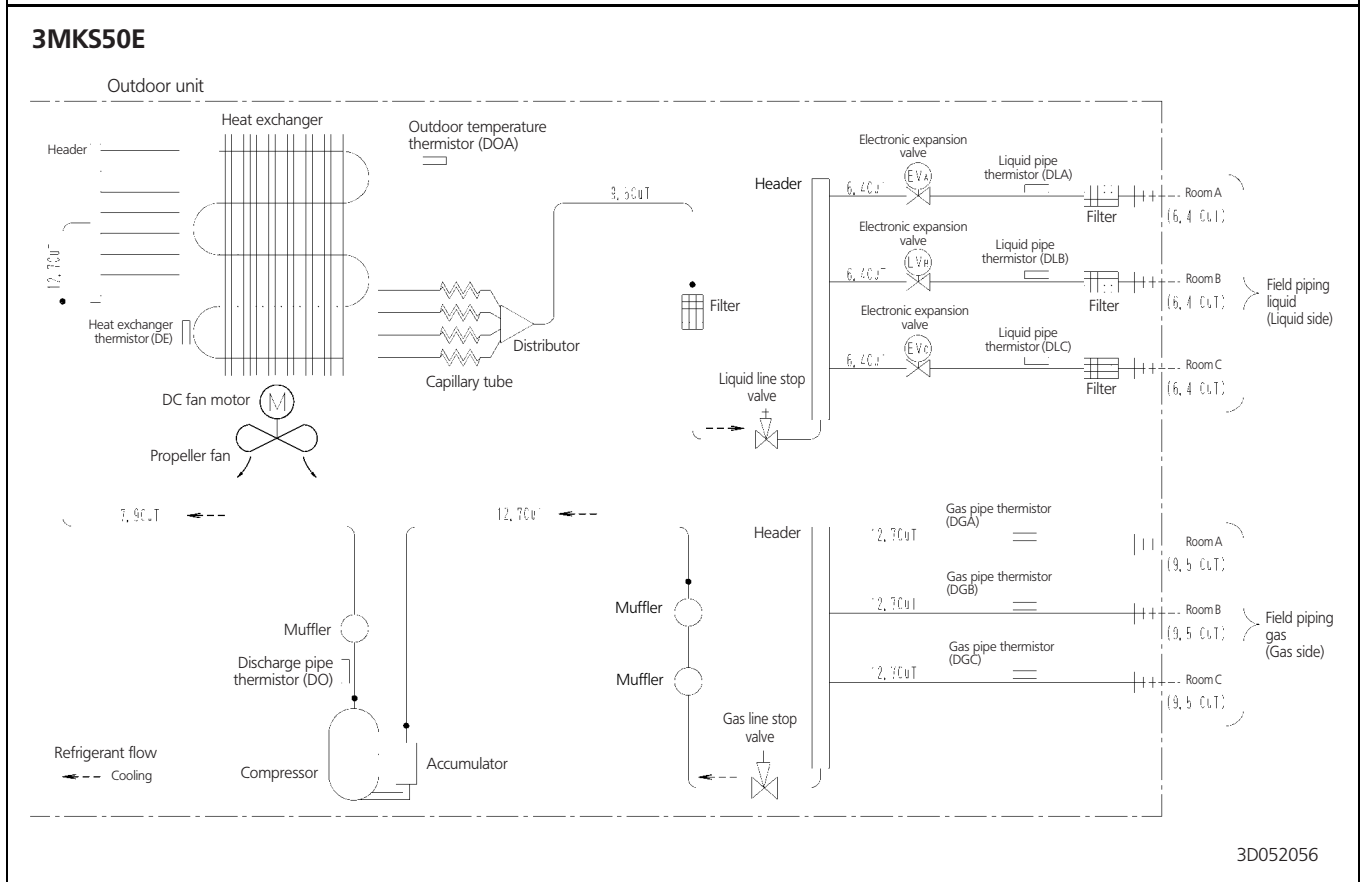
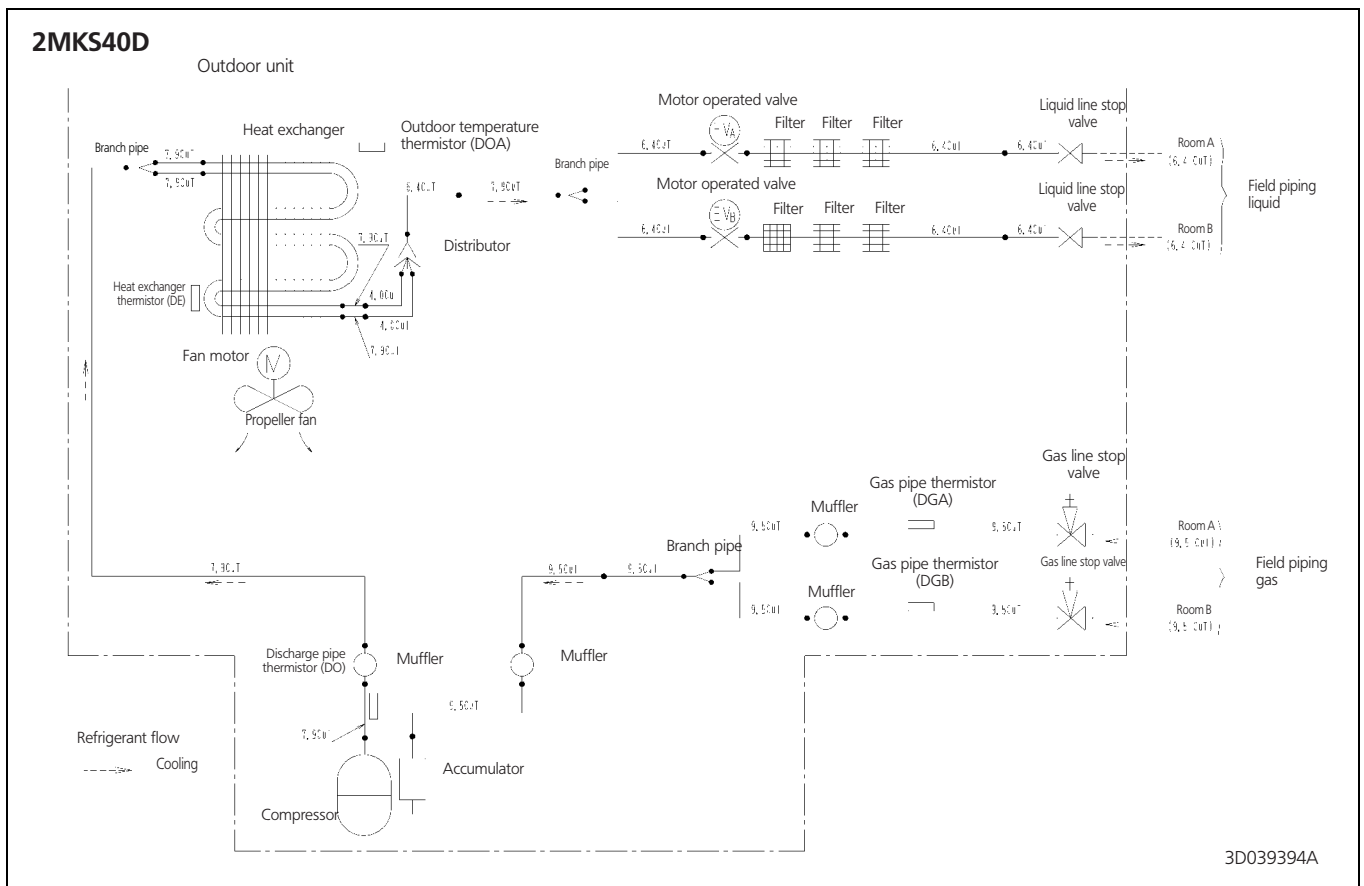
6 Dimensional drawing & centre of gravity

6 - 2 Centre of gravity

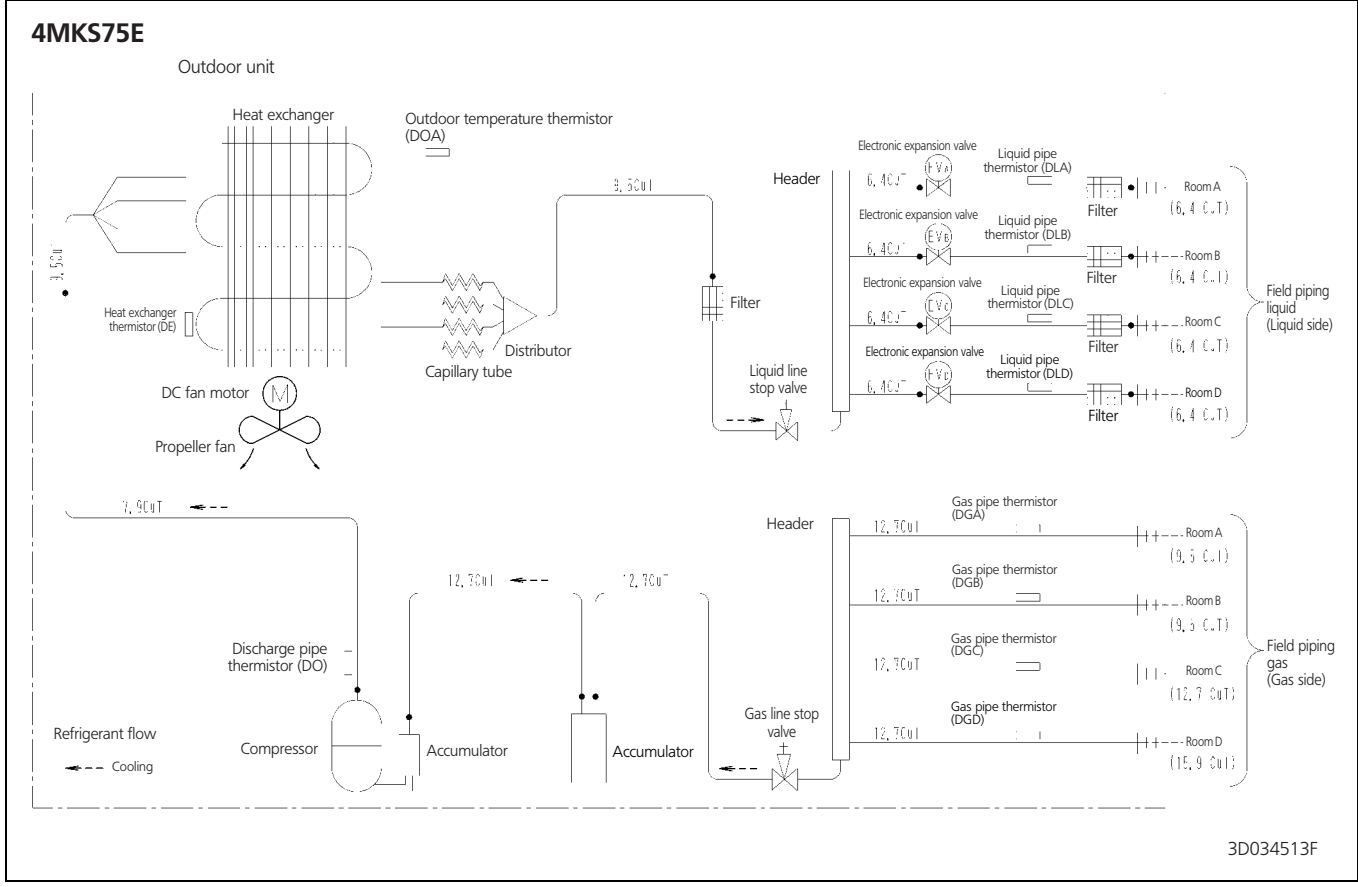
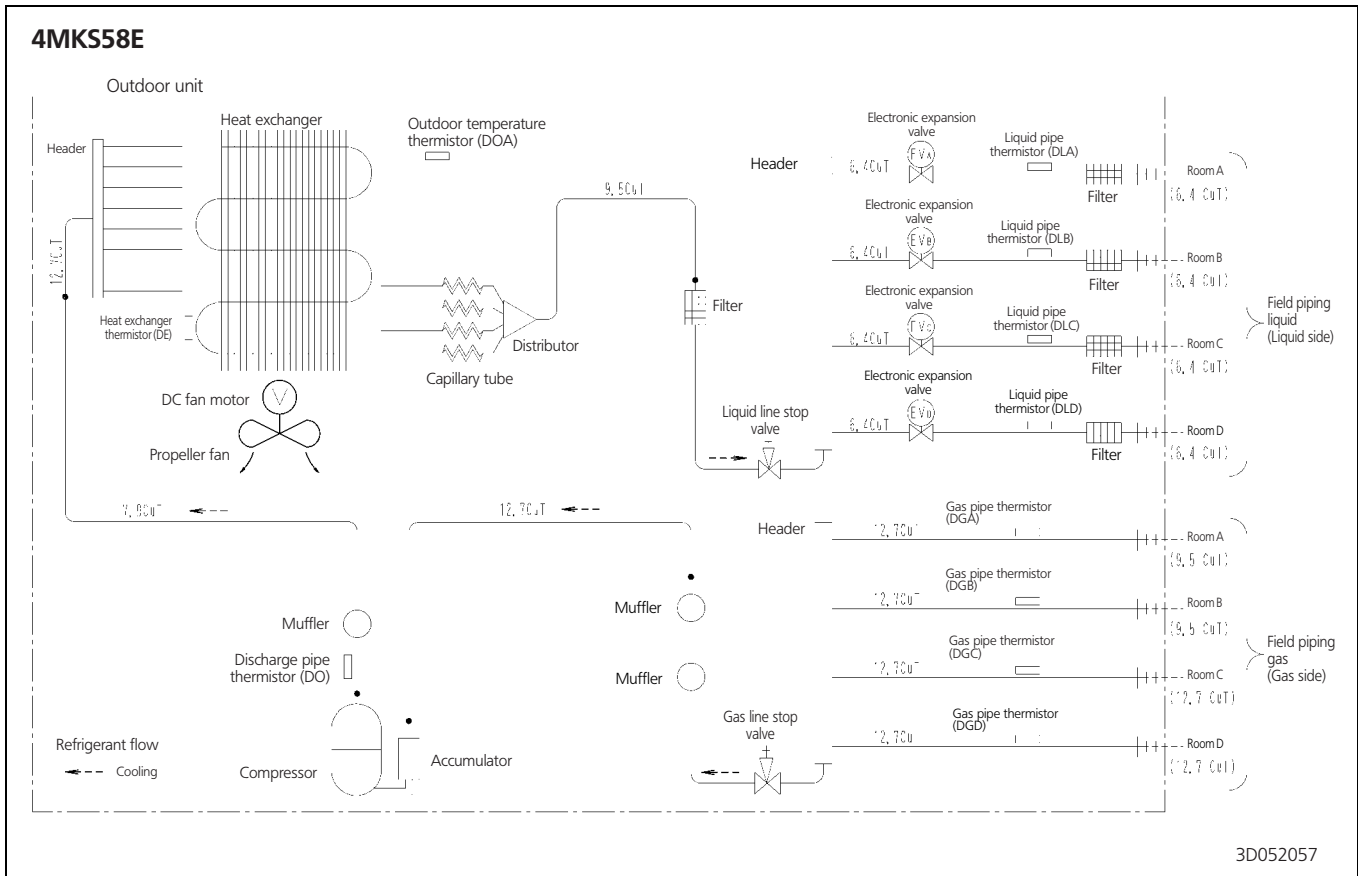


7 Piping diagram

7

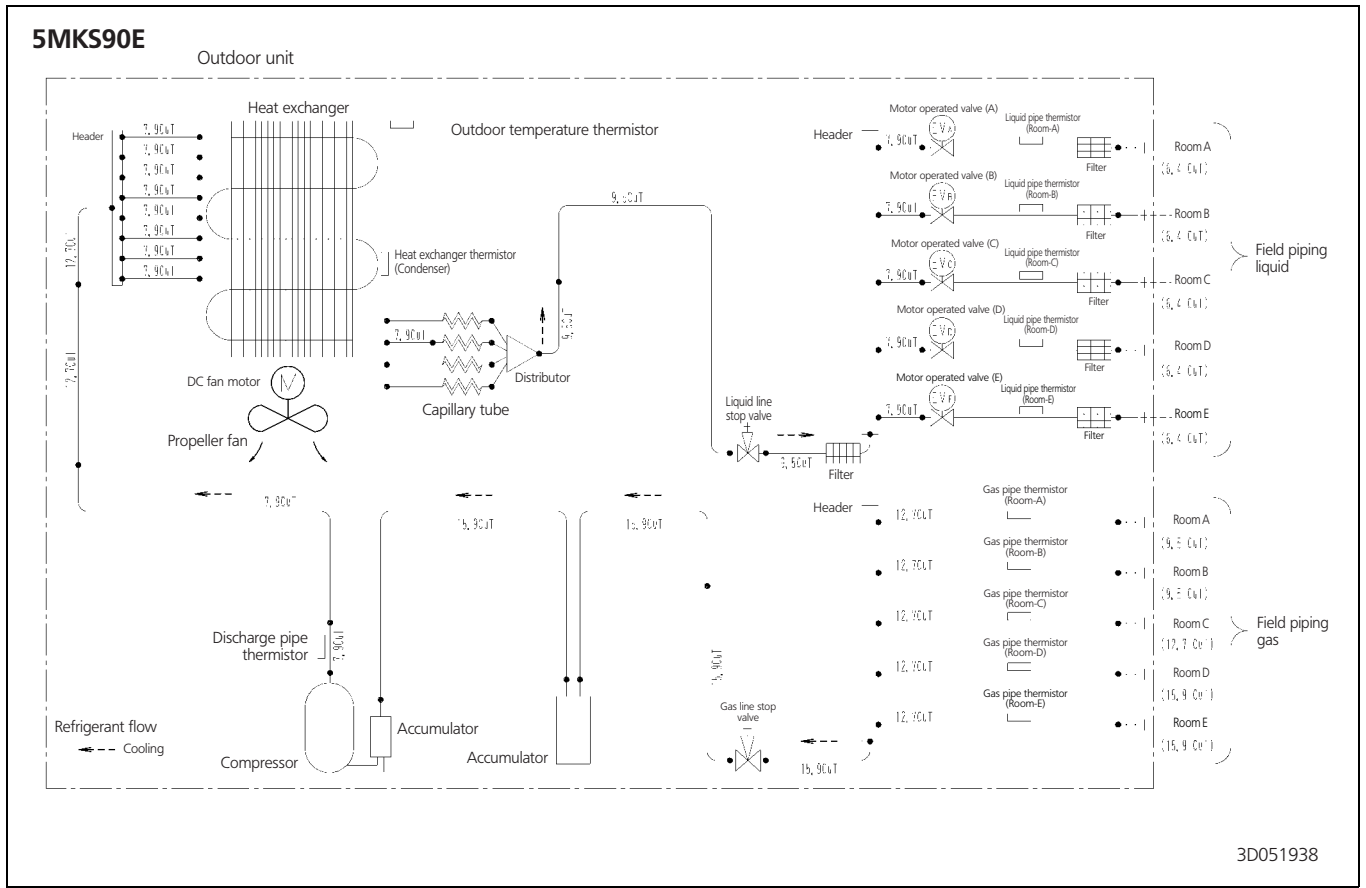


7 Piping diagram



7 Piping diagram

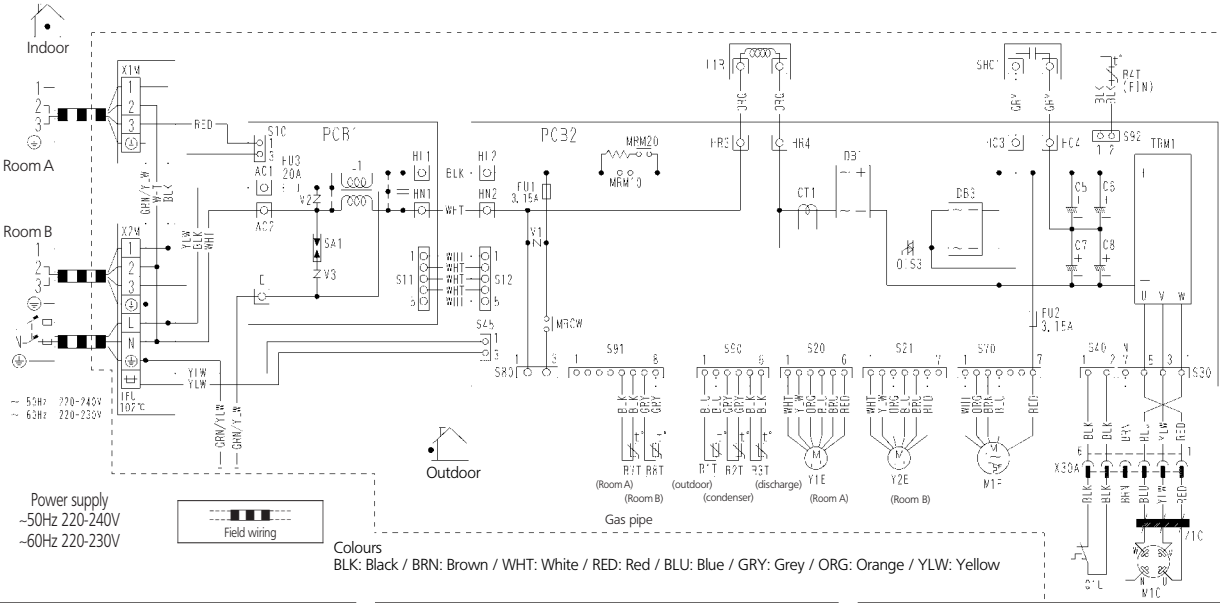
7



8 Wiring diagram

8 - 1 Wiring diagram

2MKS40D

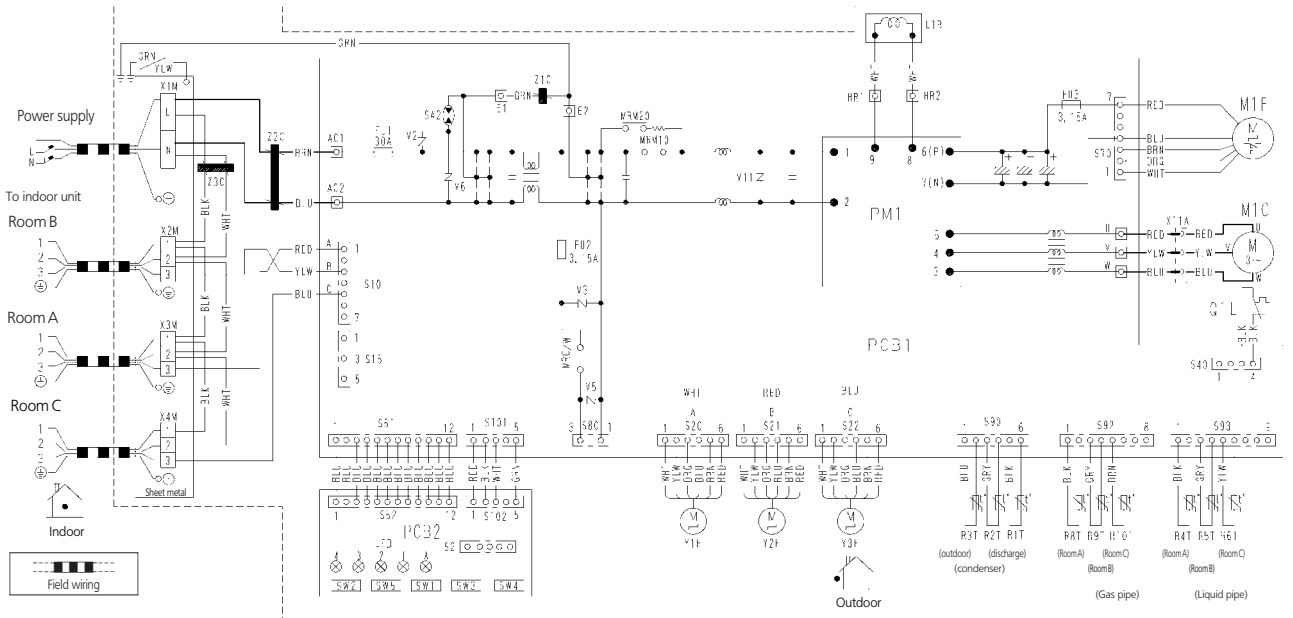


Colours
 BLK: Black / BRN: Brown / WHT: White / RED: Red / BLU: Blue / GRY: Grey / ORG: Orange / YLW: Yellow

- | | | |
|-------------------------------------|------------------------------------|---|
| C5-C8, SHC1 : Capacitor | OIS3 : Solid state relay | X1M, X2M : Terminal strip |
| CT1 : Current transformer | PCB1, PCB2 : Printed circuit board | Y1E-Y3E : Electronic expansion valve coil |
| DB1, DB2 : Diode bridge | Q1L : Overload protector | Z1C : Ferrite core |
| FU1, FU2 : Fuse | R1T-R8T : Thermistor | ⊕ : Protective earth |
| L : Live | SA1 : Surge arrester | S10-S12, S20, S21, S30 : Solder |
| L1 : Coil | TFU : Thermal fuse | S40, S45, S70, S80, S90-S92 : Solder |
| L1R : Reactor | TRM1 : Transistor module | HL1, HL2, HN1, HN2, HR3, HR4 : Connector |
| M1C : Compressor motor | V1, V2, V3 : Varistor | |
| M1F : Fan motor | | |
| MRCW, MRM10, MRM20 : Magnetic relay | | |
| N : Neutral | | |

3D039654A

3MKS50E



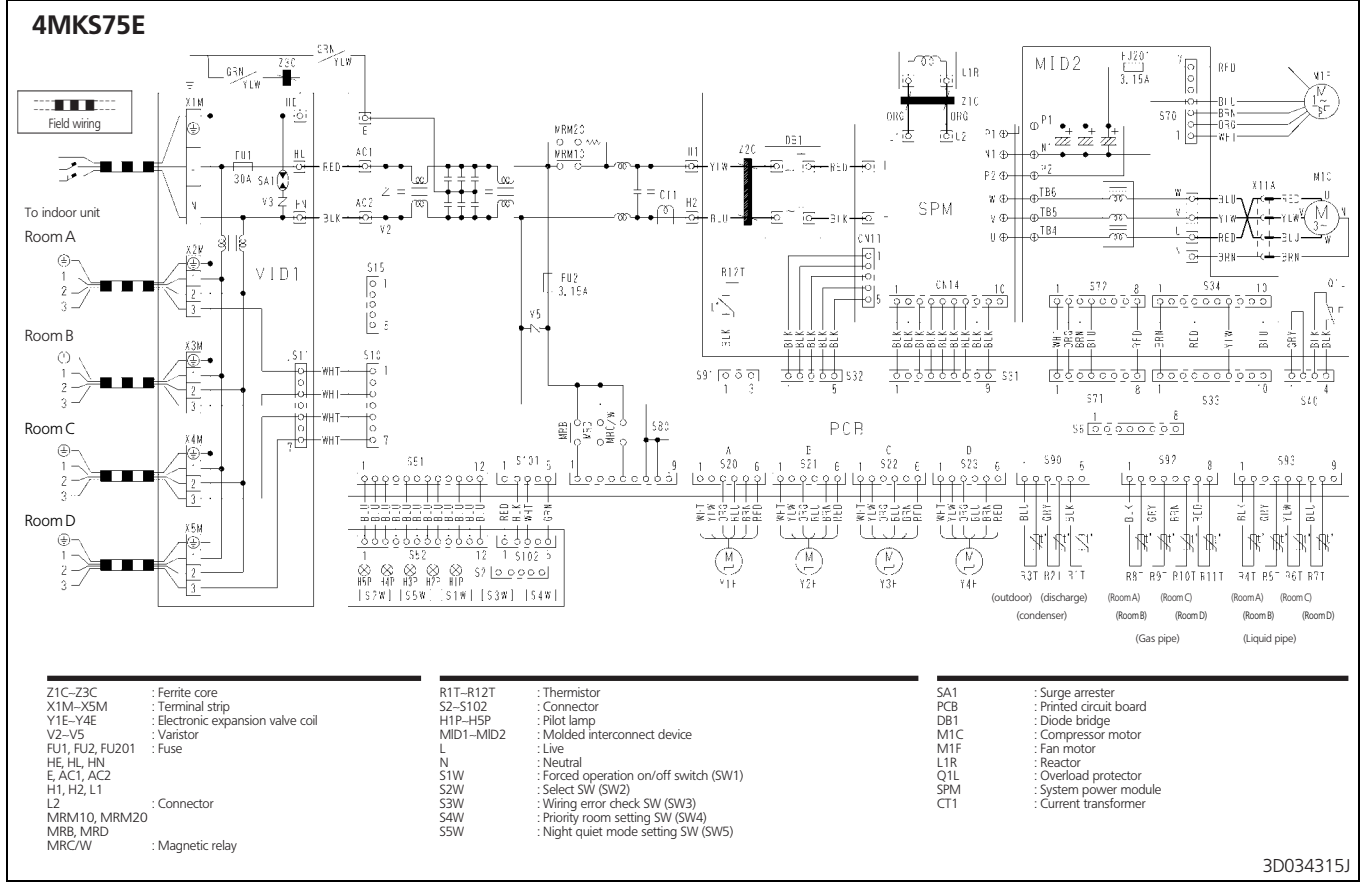
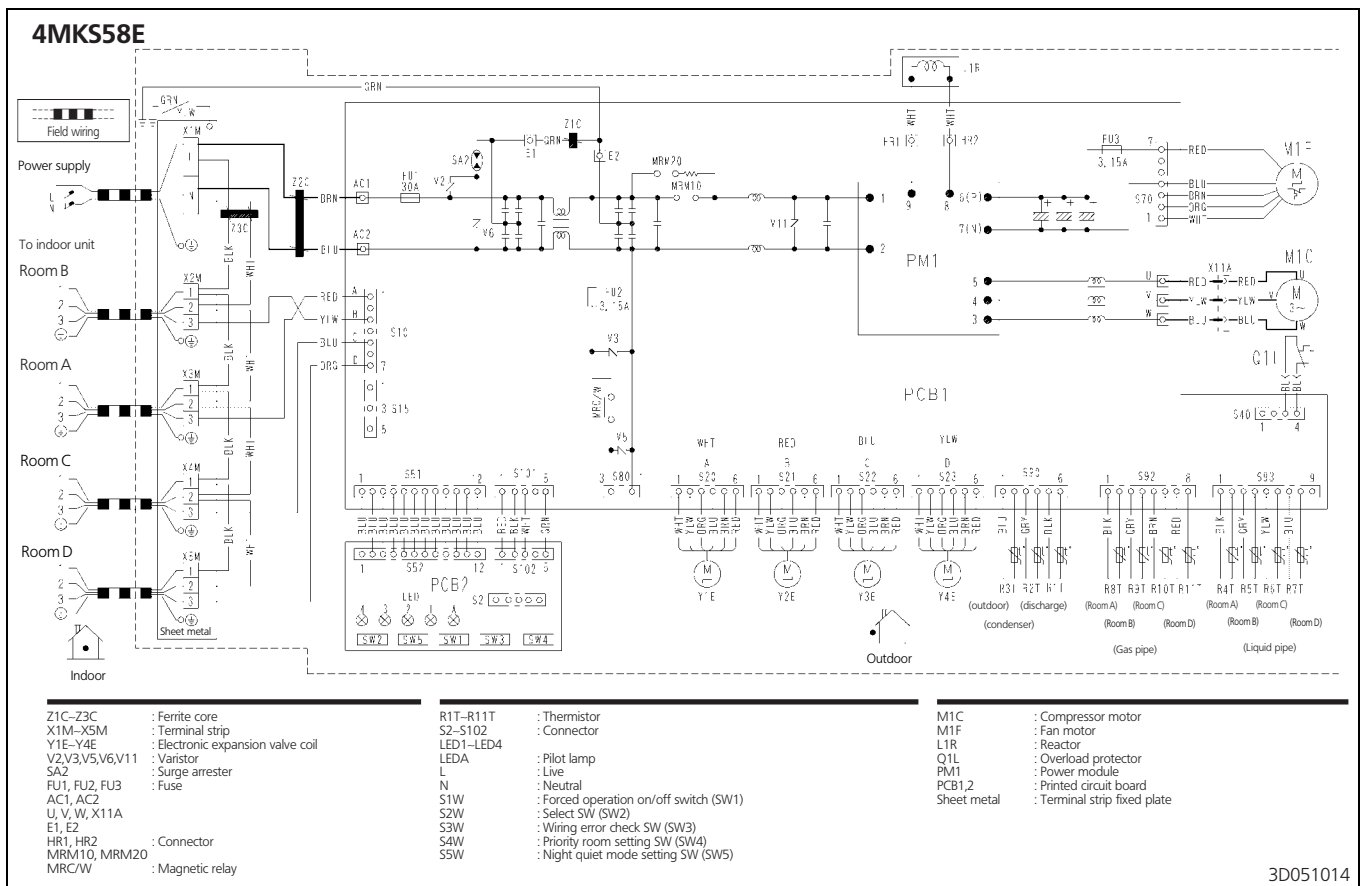
- | | | |
|---|--|--|
| Z1C-Z3C : Ferrite core | R1T-R6T : Thermistor | M1C : Compressor motor |
| X1M-X4M : Terminal strip | R6T-R10T : Connector | M1F : Fan motor |
| Y1E-Y3E : Electronic expansion valve coil | S2-S102 : Connector | L1R : Reactor |
| V2,V3,V5,V6,V11 : Varistor | LED1-LED4 : Pilot lamp | Q1L : Overload protector |
| SA2 : Surge arrester | LEDA : LED | PM1 : Power module |
| FU1, FU2, FU3 : Fuse | L : Live | PCB1, 2 : Printed circuit board |
| AC1, AC2 : AC | N : Neutral | Sheet metal : Terminal strip fixed plate |
| U, V, W, X11A : Live | S1W : Forced operation on/off switch (SW1) | |
| E1, E2 : Select SW (SW2) | S2W : Select SW (SW2) | |
| HR1, HR2 : Connector | S3W : Wiring error check SW (SW3) | |
| MRM10, MRM20 : Magnetic relay | S4W : Priority room setting SW (SW4) | |
| MRCW : Magnetic relay | S5W : Night quiet mode setting SW (SW5) | |

3D051013

8 Wiring diagram

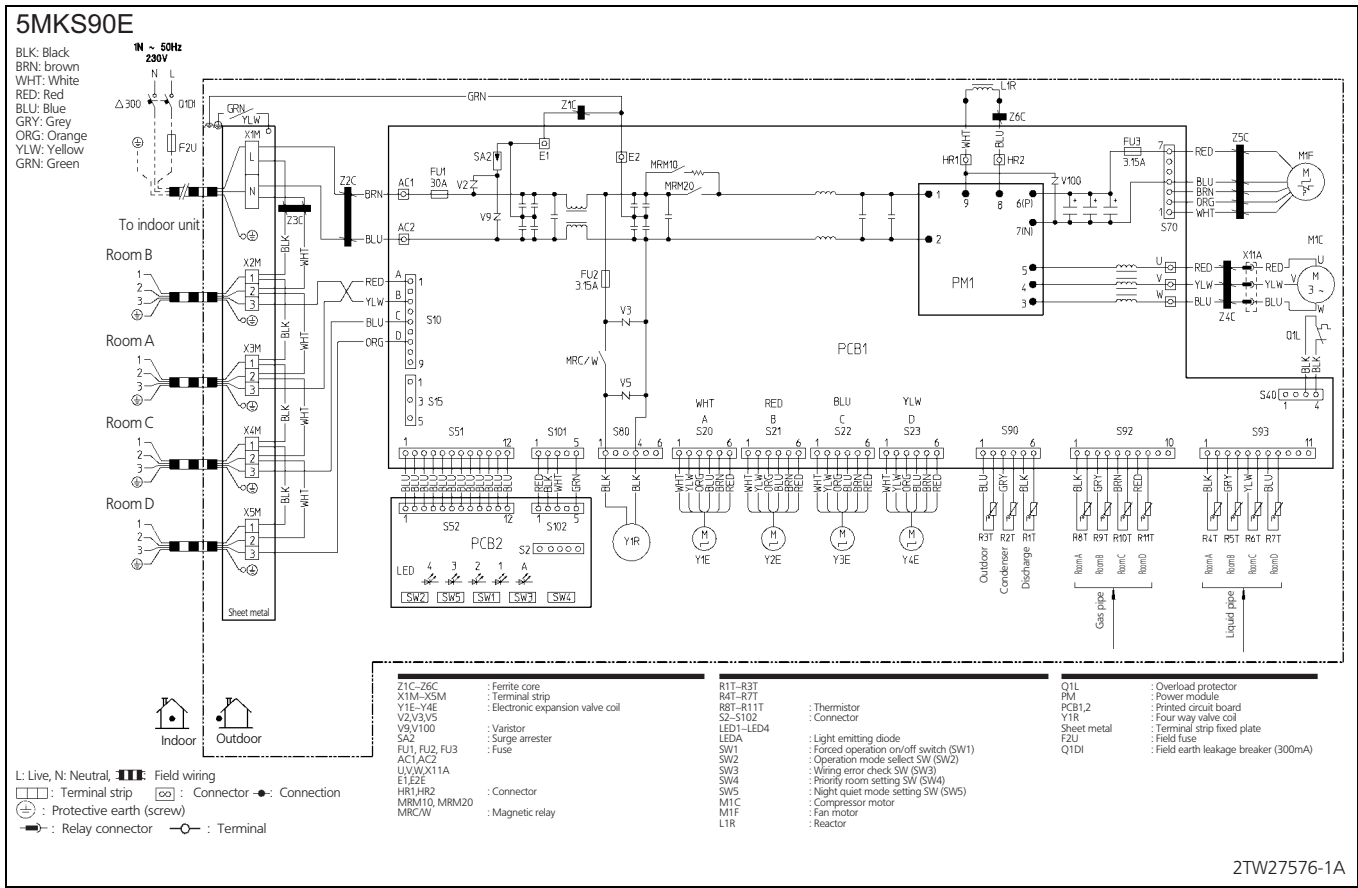
8 - 1 Wiring diagram

8



8 Wiring diagram

8 - 1 Wiring diagram

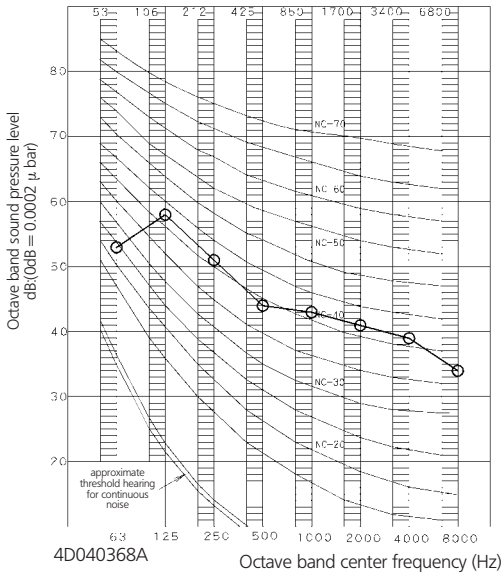


9 Sound data

9 - 1 Sound pressure spectrum

9

2MKS40D (Cooling)



4D040368A

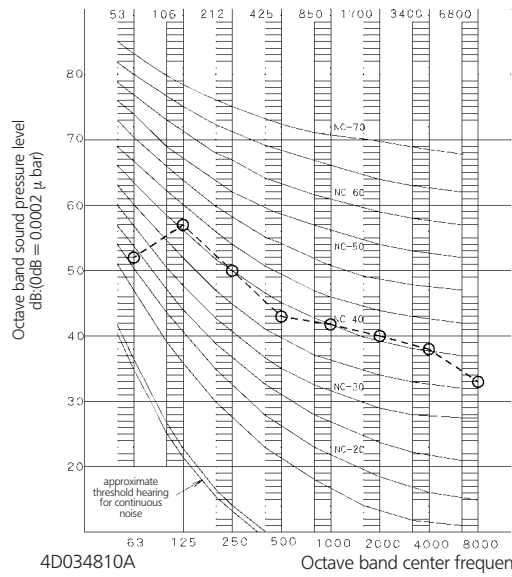
NOTES

- 1 Operation sound is measured in an anechoic chamber.
- 2 Operation sound level differs with operation and ambient conditions.
- 3 Reference acoustic pressure 0dB = 20μPa

Legend

○—○ 50/60Hz, 220-240/220-230V

3MKS50E, 4MKS58E(Cooling)



4D034810A

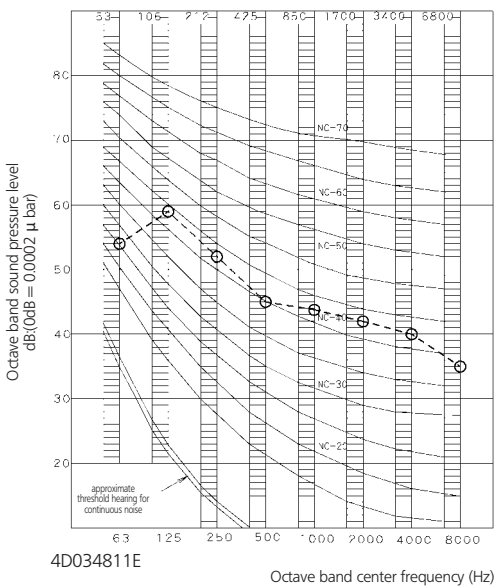
NOTES

- 1 Operation sound is measured in an anechoic chamber.
- 2 Operation sound level differs with operation and ambient conditions.
- 3 Reference acoustic pressure 0dB = 20μPa

Legend

○—○ 50/60Hz, 220-240/220-230V

4MKS75E (Cooling)

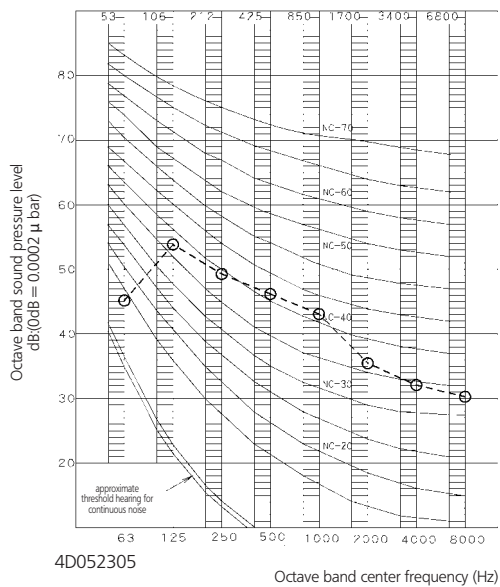


4D034811E

NOTES

- 1 Measured in an anechoic chamber.
- 2 Operation noise differs with operation and ambient conditions.
- 3 The operation noise measuring method is in accordance with JISC9612

5MKS90E (Cooling)



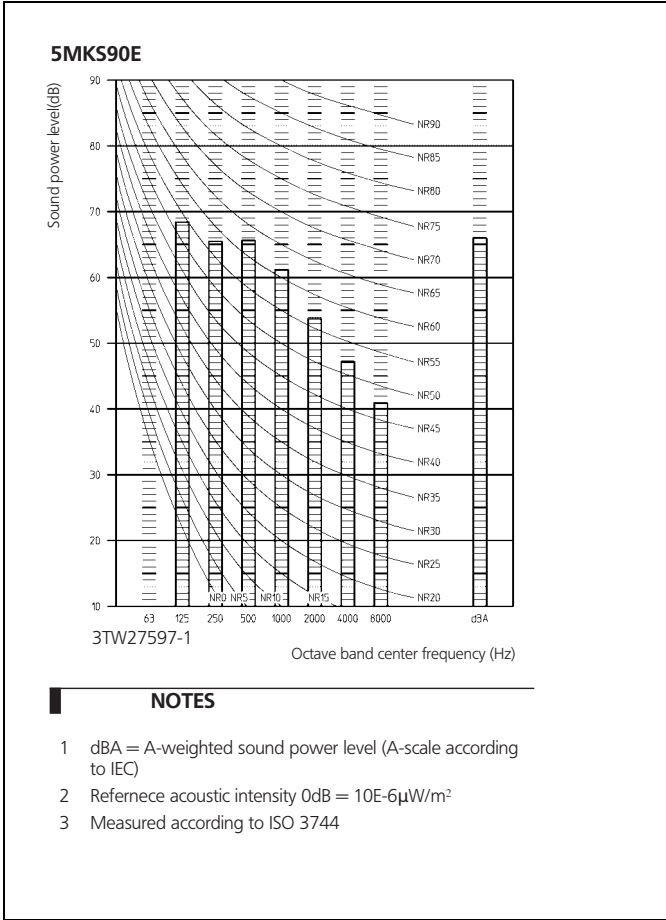
4D052305

NOTES

- 1 Measured in an anechoic chamber.
- 2 Operation noise differs with operation and ambient conditions.
- 3 The operation noise measuring method is in accordance with JISC9612

9 Sound data

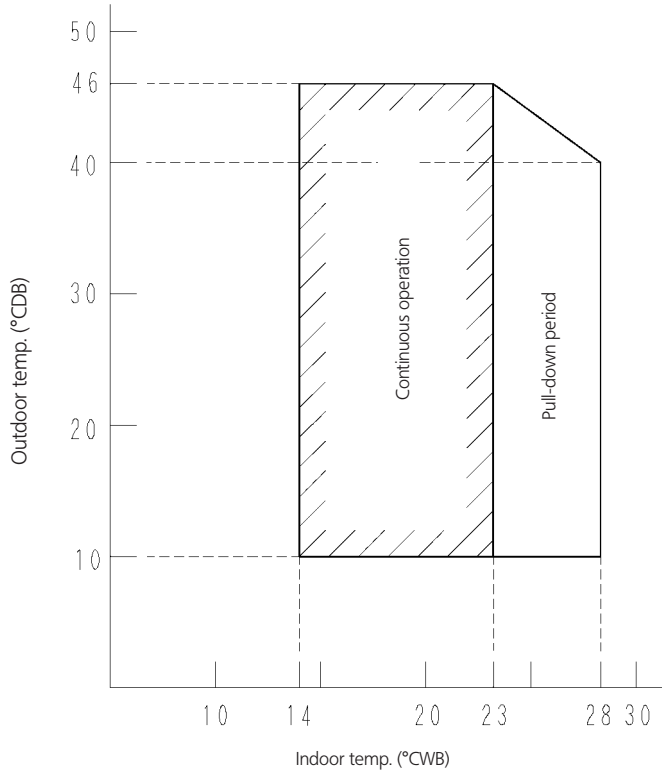
9 - 2 Sound power spectrum



10 Operation range

10

2MKS40D



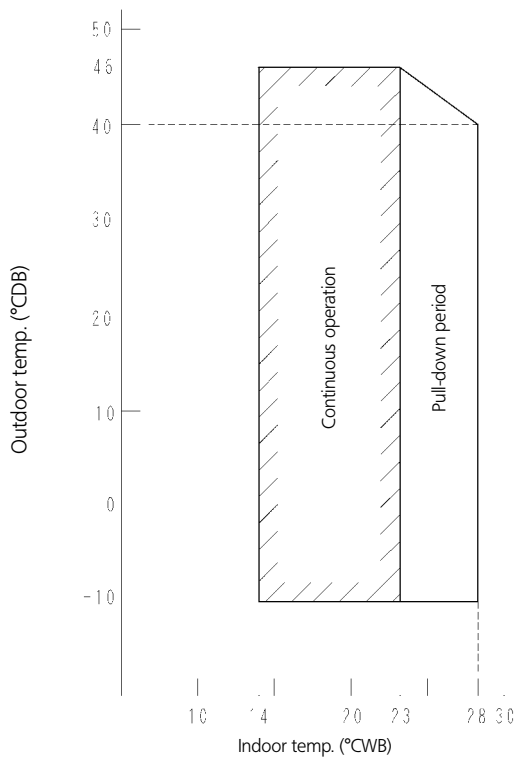
Notes:

The graph is based on the following conditions:

- 1. Equivalent piping length 7.5 m
- 2. Level difference 0 m
- 3. Air flow rate high

4D040366A

3MKS50E, 4MKS58E, 4MKS75E



Notes:

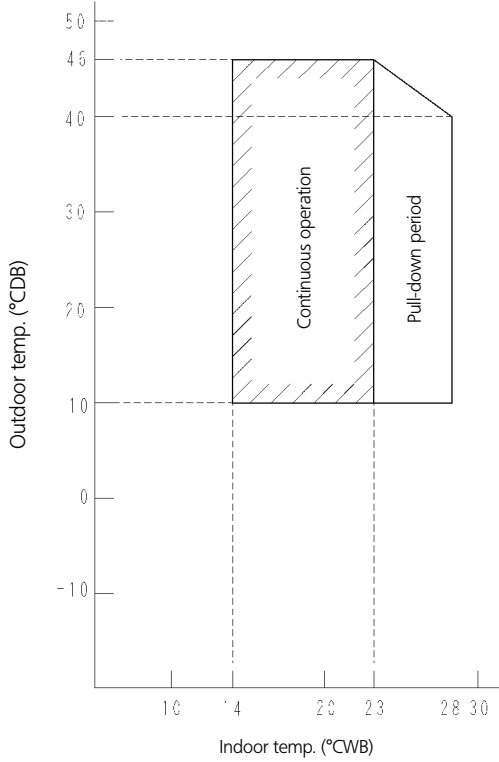
The graph is based on the following conditions:

- 1. Equivalent piping length 7.5 m
- 2. Level difference 0 m
- 3. Air flow rate high

4D034957G

10 Operation range

5MKS90E



Notes:

- The graph is based on the following conditions:
- 1. Equivalent piping length 7.5 m
 - 2. Level difference 0 m
 - 3. Air flow rate high

4D052044

Split - Sky Air

The present publication is drawn up by way of information only and does not constitute an offer binding upon Daikin Europe N.V.. Daikin Europe N.V. has compiled the content of this publication to the best of its knowledge. No express or implied warranty is given for the completeness, accuracy, reliability or fitness for particular purpose of its content and the products and services presented therein. Specifications are subject to change without prior notice. Daikin Europe N.V. explicitly rejects any liability for any direct or indirect damage, in the broadest sense, arising from or related to the use and/or interpretation of this publication. All content is copyrighted by Daikin Europe N.V..



ISO14001 assures an effective environmental management system in order to help protect human health and the environment from the potential impact of our activities, products and services and to assist in maintaining and improving the quality of the environment.



Daikin units comply with the European regulations that guarantee the safety of the product.



Daikin Europe N.V. is approved by LRQA for its Quality Management System in accordance with the ISO9001 standard. ISO9001 pertains to quality assurance regarding design, development, manufacturing as well as to services related to the product.



Daikin Europe N.V. is participating in the EUROVENT Certification Programme. Products are as listed in the EUROVENT Directory of Certified Products.

DAIKIN EUROPE N.V.

Zandvoordestraat 300
B-8400 Ostend - Belgium
www.daikineurope.com

