

Technical Data

Wall mounted



Daikin's unique position as a manufacturer of air conditioning equipment, compressors and refrigerants has led to its close involvement in environmental issues. For several years Daikin has had the intention to become a leader in the provision of products that have limited impact on the environment. This challenge demands the eco design and development of a wide range of products and an energy management system, resulting in energy conservation and a reduction of waste.



Daikin Europe N.V. participates in the Eurovent Certification Programme for Air Conditioners (AC), Liquid Chilling Packages (LCP) and Fan Coil Units (FC); the certified data of certified models are listed in the Eurovent Directory. Multi units are Eurovent certified for combinations up to 2 indoor units.

Daikin products are distributed by:

The present leaflet is drawn up by way of information only and does not constitute an offer binding upon Daikin Europe N.V. Daikin Europe N.V. has compiled the content of this leaflet to the best of its knowledge. No express or implied warranty is given for the completeness, accuracy, reliability or fitness for particular purpose of its content and the products and services presented therein. Specifications are subject to change without prior notice. Daikin Europe N.V. explicitly rejects any liability for any direct or indirect damage, in the broadest sense, arising from or related to the use and/or interpretation of this leaflet. All content is copyrighted by Daikin Europe N.V.



Air Conditioners Technical Data

Wall mounted



EEDEN11-100

FTXG-J-W

TABLE OF CONTENTS

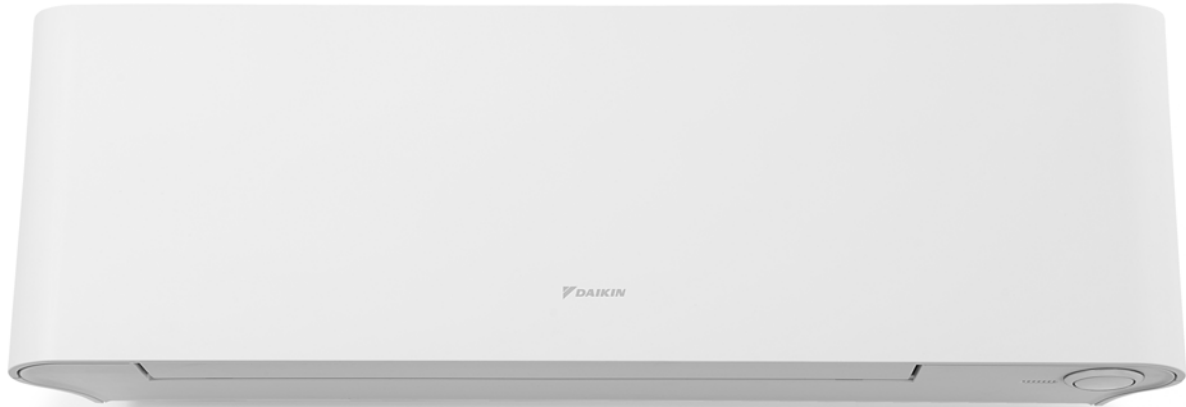
FTXG-J-W

1	Features	1
2	Specifications	2
	Technical Specifications	2
	Electrical Specifications	3
3	Options	4
	Options	4
4	Dimensional drawings	5
	Dimensional Drawings	5
5	Centre of gravity	6
	Centre of Gravity	6
6	Piping diagrams	7
	Piping Diagrams	7
7	Wiring diagrams	8
	Wiring Diagrams - Single Phase	8
8	Sound data	9
	Sound Pressure Spectrum	9

1 Features

- Remarkable blend of iconic design and engineering excellence with an elegant finish in brushed aluminium or matt crystal white
- Comfort mode guarantees draught free operation by preventing that warm or cold air is directly blown on to the body
- Indoor unit silent operation: "silent" button on the remote control lowers the operation sound of the indoor unit by 3dBA
- Movement sensor saves power consumption in unoccupied rooms: when the room is empty, the unit switches to economy mode after 20 minutes and restarts when a person enters the room.
- Night set mode saves energy by preventing overcooling or overheating during night time
- Powerful mode can be selected for rapid heating or cooling; after the powerful mode is turned off, the unit returns to the preset mode.
- Titanium apatite photocatalytic air purification filter removes airborne microscopic particles, powerfully decomposes odours and helps to prevent the propagation of bacteria, viruses, microbes to ensure a steady supply of clean air
- 24 hour timer can be set to start heating or cooling anytime during a 24 hour period
- Weekly timer can be set to start heating or cooling anytime on a daily or weekly basis

1



5 steps

optional

2 Specifications

2-1 Technical Specifications				FTXG25JV1BW	FTXG35JV1BW	FTXG50JV1BW	
Power input	Cooling	Nom.	kW	0.018 (3)	0.026 (3)	0.032 (3)	
	Heating	Nom.	kW	0.024 (3)	0.032 (3)	0.038 (3)	
Casing	Colour			White			
Dimensions	Unit	Height	mm	295			
		Width	mm	915			
		Depth	mm	155			
	Packed unit	Height	mm	377		285	
		Width	mm	1,003			
		Depth	mm	285		377	
Weight	Unit		kg	11			
	Packed unit		kg	15			
Packing	Weight		kg	-	4		
Heat exchanger	Length		mm	610			
	Rows	Quantity		2			
	Fin pitch		mm	1.2			
	Stages	Quantity		18			
	Tube type		ø6.35 Hi-XD tube		ø6.35 Hi-XU tube		
	Fin	Type		Multi slit fin			
Fan	Type			Cross flow fan			
	Air flow rate	Cooling	High	m ³ /min	8.8	10.1	10.3
				cfm	311	357	364
			Nom.	m ³ /min	6.8	7.3	8.5
				cfm	240	258	300
			Low	m ³ /min	4.7	4.6	6.7
				cfm	166	162	237
			Silent operation	m ³ /min	3.8	3.9	5.7
				cfm	134	138	201
			Heating	High	m ³ /min	9.6	10.8
		cfm			339	381	402
		Nom.		m ³ /min	7.9	8.6	9.8
				cfm	279	304	346
		Low		m ³ /min	6.2	6.4	8.1
				cfm	219	226	286
		Silent operation		m ³ /min	5.4	5.6	7.1
				cfm	191	198	251
		Fan motor		Model			KFD-280-40-8G
Speed			Steps			5 + silent, + auto	
	Cooling		High	rpm	1,440	1,640	1,710
				rpm	1,170	1,270	1,470
			Low	rpm	900	910	1,230
				Silent operation	rpm	780	810
	Heating		High	rpm	1,560	1,720	1,830
				rpm	1,330	1,430	1,610
			Low	rpm	1,110	1,140	1,390
				Silent operation	rpm	1,000	1,030
	Output		High	W	29		40
	Sound power level		Cooling	High	dBA	54	58
		Heating	High	dBA	55	58	60
Sound pressure level	Cooling	High	dBA	38	42	44	
		Nom.	dBA	32	34	40	
		Low	dBA	25	26	35	
		Silent operation	dBA	22	23	32	
	Heating	High	dBA	39	42	44	
		Nom.	dBA	34	36	40	
		Low	dBA	28	29	35	
		Silent operation	dBA	25	26	32	
Refrigerant	Type			R-410A			

2 Specifications

2-1 Technical Specifications				FTXG25JV1BW	FTXG35JV1BW	FTXG50JV1BW
Piping connections	Liquid	OD	mm	6.35		
	Gas	OD	mm	9.52	12.7	
	Drain			18		
Temperature control				Microcomputer control		
Air direction control				Left, right, up and downwards		Right, Left, Horizontal, Downward
Air filter				Removable / washable / mildew proof		

Standard Accessories : Paper pattern for installation; Quantity : 2;

Standard Accessories : Mounting plate; Quantity : 1;

Standard Accessories : Indoor unit fixing screws; Quantity : 2;

Standard Accessories : Remote control holder; Quantity : 1;

Standard Accessories : Batteries; Quantity : 2;

Standard Accessories : Wireless remote control; Quantity : 1;

Standard Accessories : Installation manual; Quantity : 1;

Standard Accessories : Operation manual; Quantity : 1;

Standard Accessories : Titanium apatite photocatalytic air purification filter; Quantity : 2;

2-2 Electrical Specifications				FTXG25JV1BW	FTXG35JV1BW	FTXG50JV1BW
Power supply	Name			V1		
	Phase			1~		
	Frequency		Hz	50		
	Voltage		V	220-240		
Current	Nominal running current (RLA) - 50Hz	Cooling	A	0.09 (4) 0.08 (5) 0.08 (6)	0.13 (4) 0.12 (5) 0.12 (6)	0.16 (4) 0.15 (5) 0.14 (6)
		Heating	A	0.12 (4) 0.11 (5) 0.11 (6)	0.16 (4) 0.15 (5) 0.14 (6)	0.19 (4) 0.18 (5) 0.17 (6)
Current - 50Hz	Nominal running current		A	-		
Current - 60Hz	Nominal running current		A	-		
Wiring connections - 50Hz	For power supply	Remark		-		3 for power supply, 4 for interunit wiring (Earth wire included)

Notes

(1) SL: The silent fan level of the air flow rate setting

(2) When connected with multi-system outdoor unit, refer to the specifications of the multi outdoor unit to be connected.

(3) 50Hz, 220-230-240V

(4) 220V

(5) 230V

(6) 240V

3 Options

3 - 1 Options

FTXG25-50J

	Description	Material name
Indoor	Wired remote controller	BRC944A2B
	5-room centralized controller	KRC72A
	Adopter PCB (normal open/normal open pulse contact)	KRP413AA1S
	Titanium apatite photocatalytic air-purifying filter without frame *	---
	Chain for preventing loss of remote controller	KKE910A
	Interface adapter for DIII-net use	KRP928BA2S
	Central remote controller	DCS302CA51
	Unified ON/OFF controller	DCS301BA51
	Schedule timer	DCT301BA51

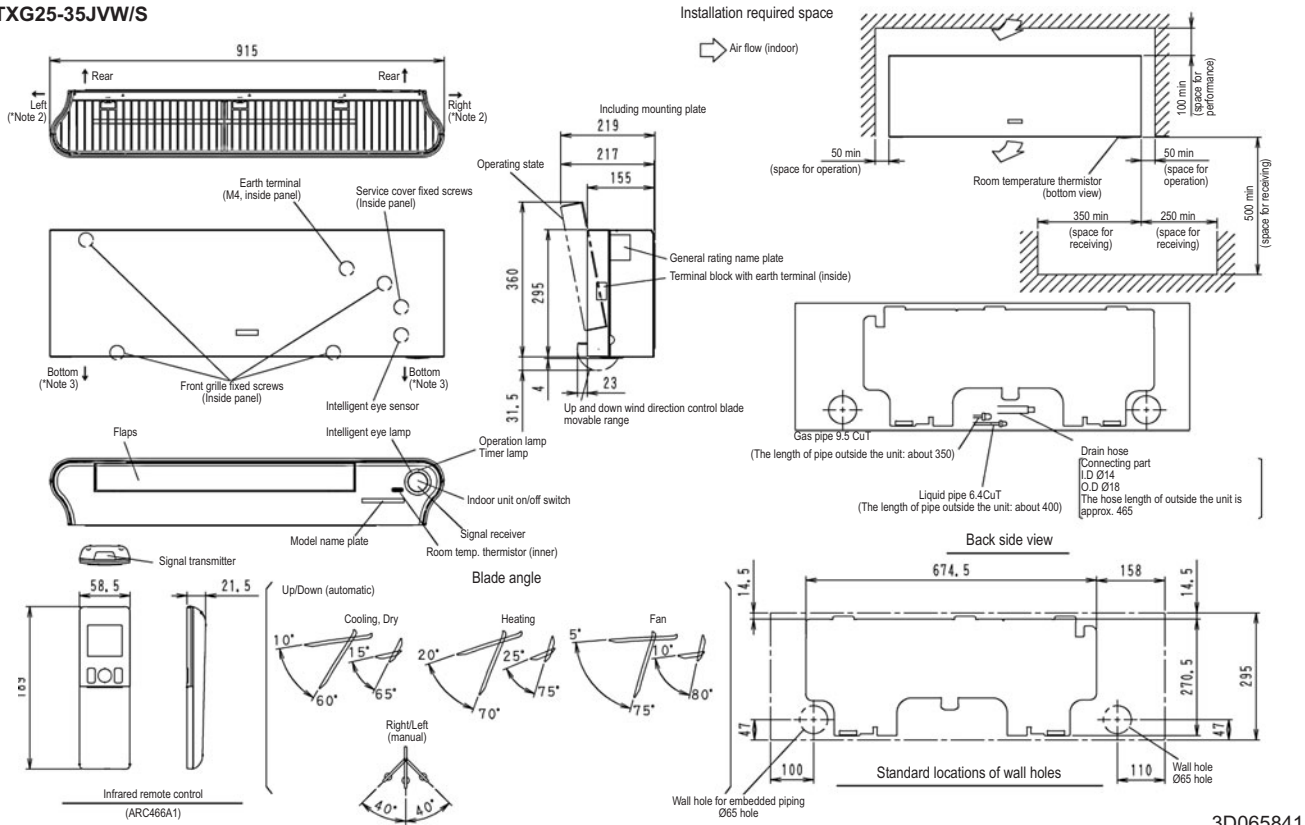
* Standard accessory

4 Dimensional drawings

4 - 1 Dimensional Drawings

4

FTXG25-35JVW/S



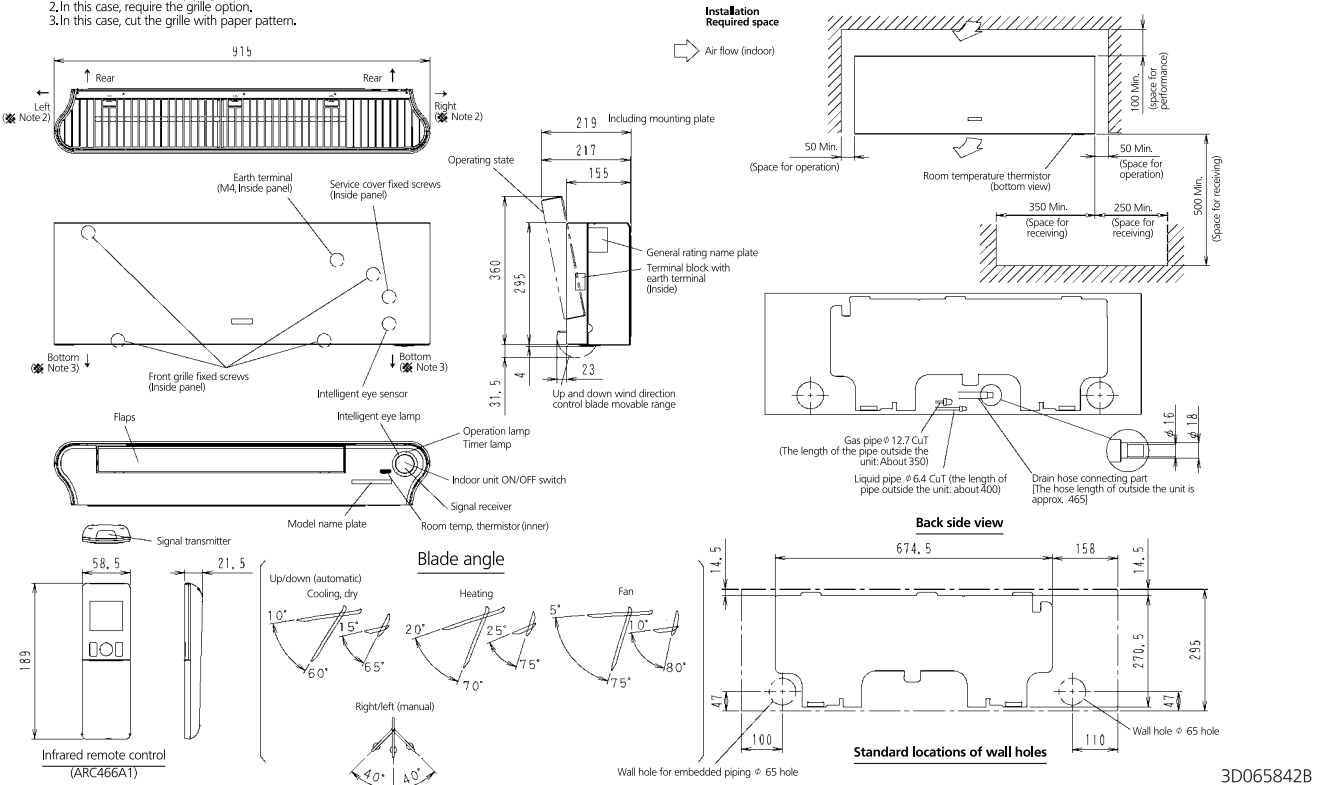
3D065841

NOTES

1. The mark (→) shows piping direction.
2. In this case, require the grille option.
3. In this case, cut the grille with paper pattern.

FTXG50J

- Note) 1. The mark (→) shows piping direction.
 2. In this case, require the grille option.
 3. In this case, cut the grille with paper pattern.

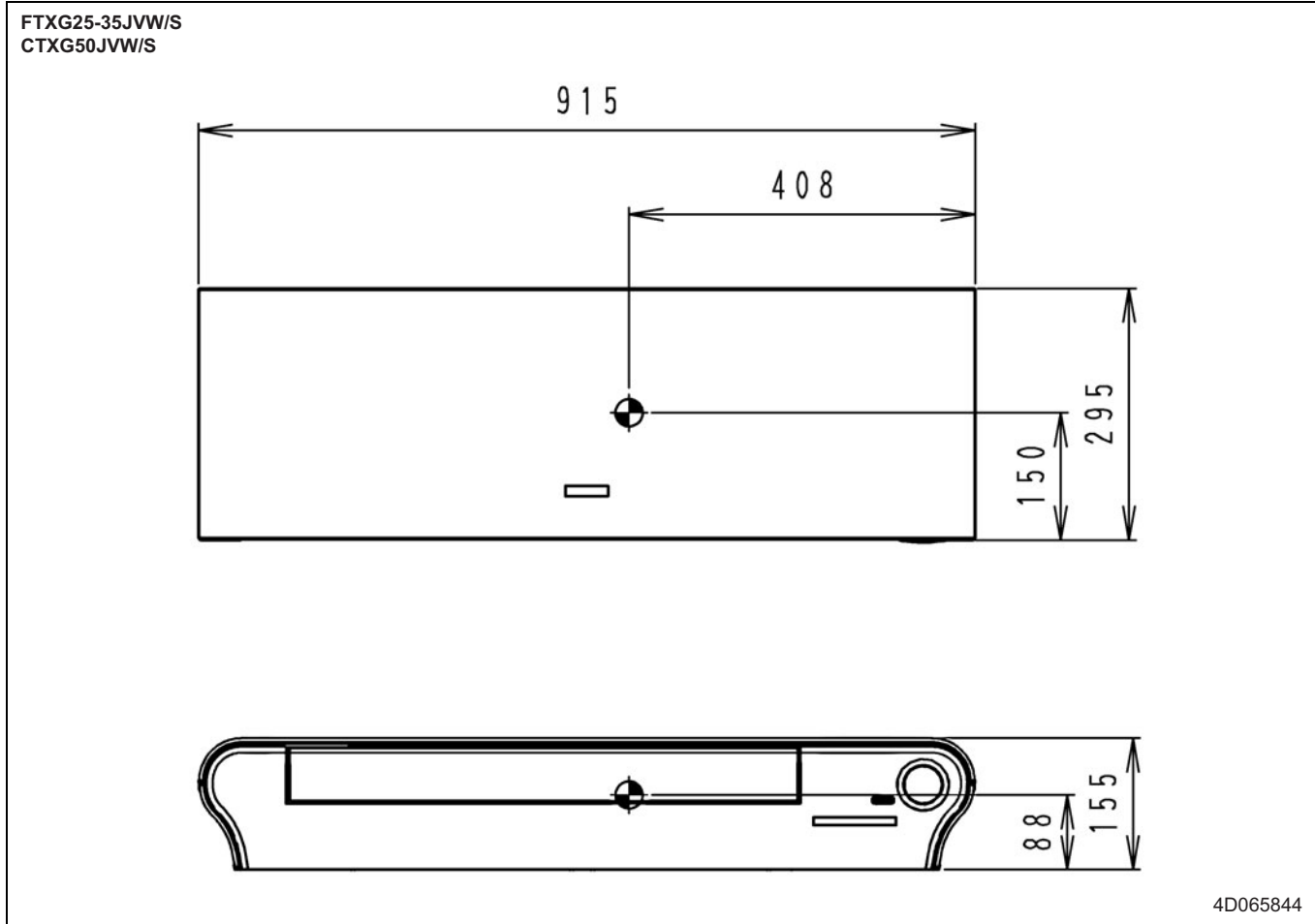


3D065842B

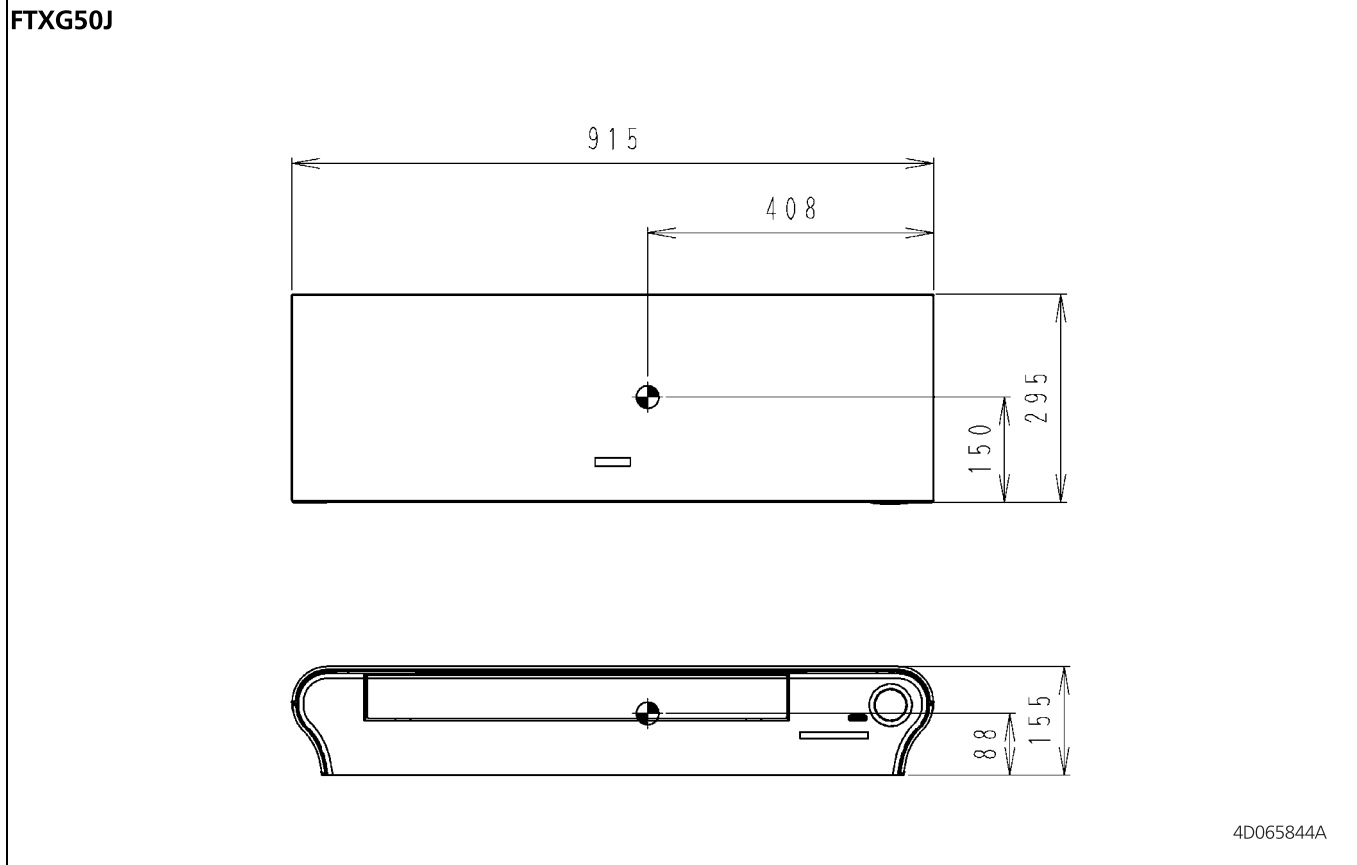
5

5 Centre of gravity

5 - 1 Centre of Gravity



5



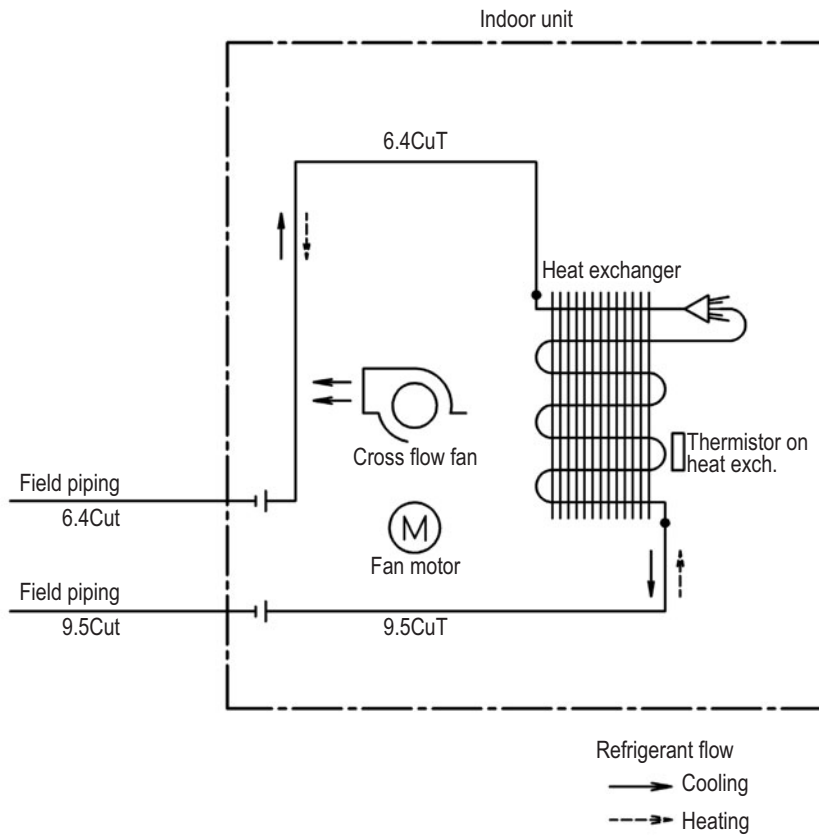
6

6 Piping diagrams

6 - 1 Piping Diagrams

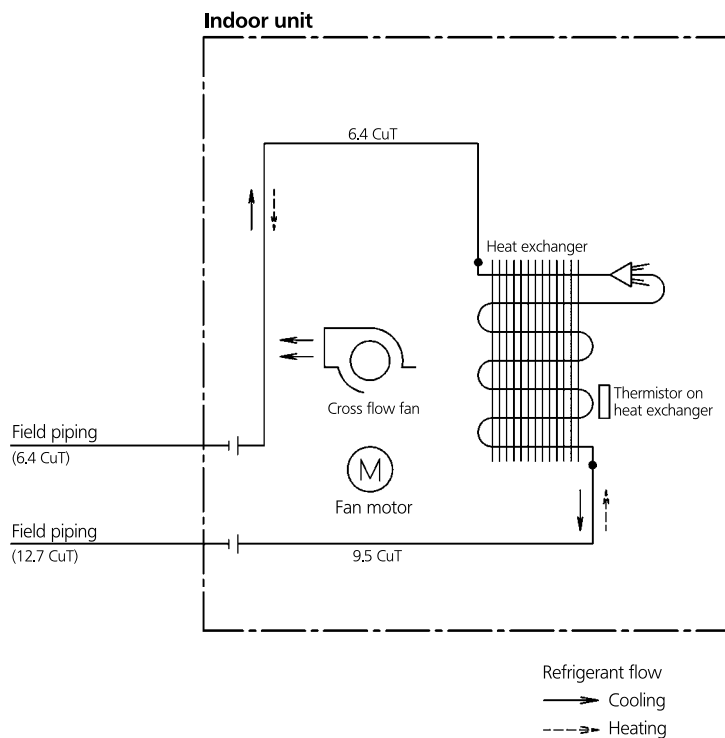
6

FTXG25-35JVW/S



4D065855

FTXG50J



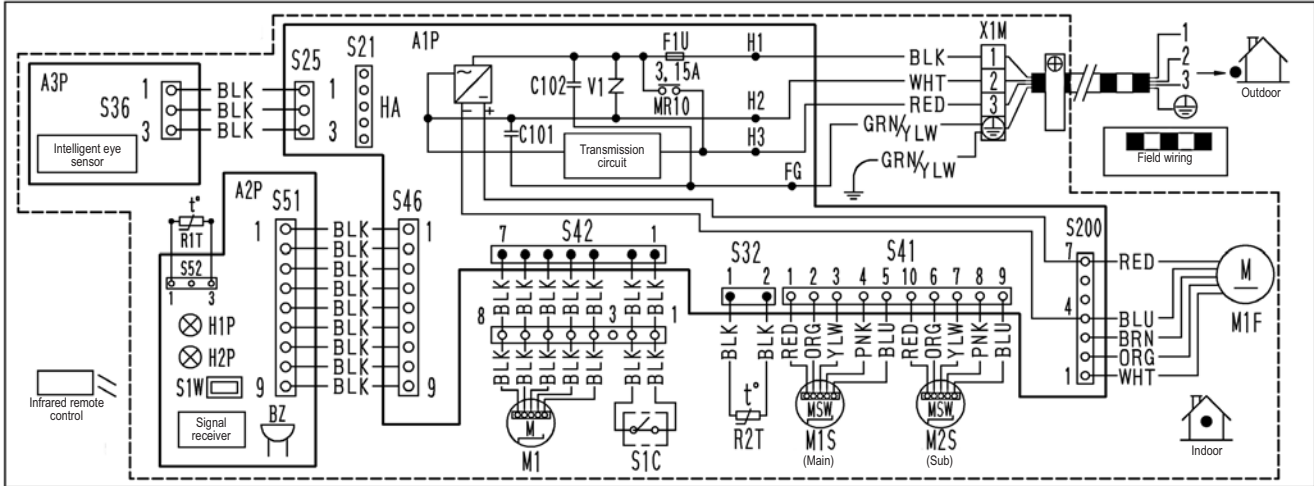
4D065856A

7

7 Wiring diagrams

7 - 1 Wiring Diagrams - Single Phase

FTXG25-35JVW/S
CTXG50JVW/S



Caution

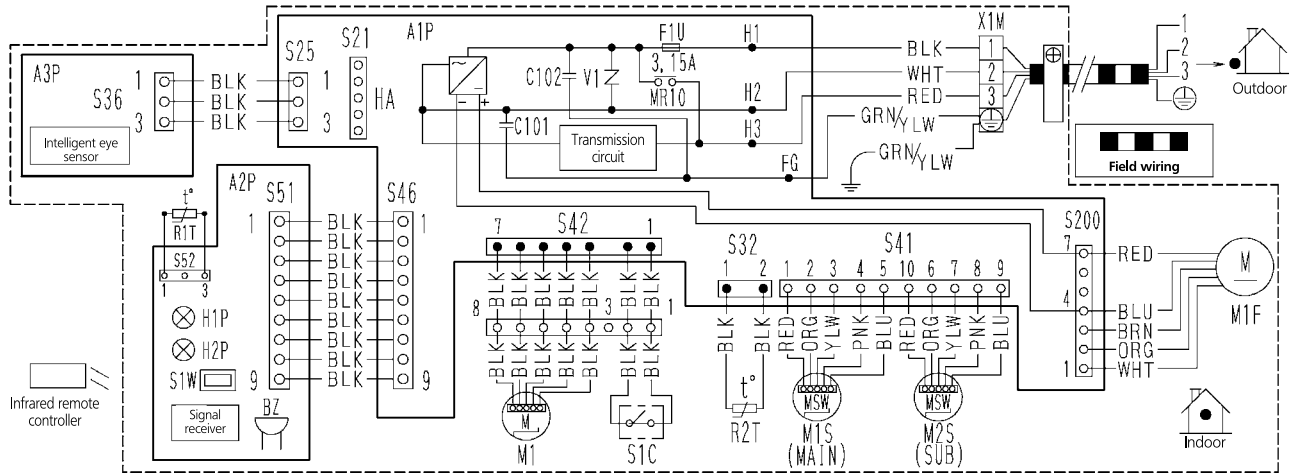
Note that operation will restart automatically if the main power supply is turned off and then back on again.

FG	Frame ground	R1T, R2T	Thermistor
F1U	Fuse	S25-S200	Connector
H1P, H2P	Pilot lamp	S1W	Operation switch
M1F	Fan motor	S1C	Limit switch
M1S, M2S	Swing motor	X1M	Terminal strip
M1	Stepping motor	BZ	Buzzer
A1P-A3P	Printed circuit board	⊕	Protective earth

3D065507-1A

FTXG50J

Wiring diagram



- FG : Frame ground
- F1U : Fuse
- H1P,H2P : Pilot lamp
- M1F : Fan motor
- M1S,M2S : Swing motor
- M1 : Stepping motor
- A1P-A3P : Printed circuit board
- R1T,R2T : Thermistor
- S25-S200 : Connector
- S1W : Operation switch
- S1C : Limit switch
- X1M : Terminal strip
- BZ : Buzzer
- ⊕ : Protective earth

CAUTION

Note that operation will restart automatically if the main power supply is turned off and then back on again.

- Note)
1. Refer to purchasing specification AS303002, unless otherwise specified.
 2. This drawing was drawn on CAD system.
 3. Size: length 70 x width 210.

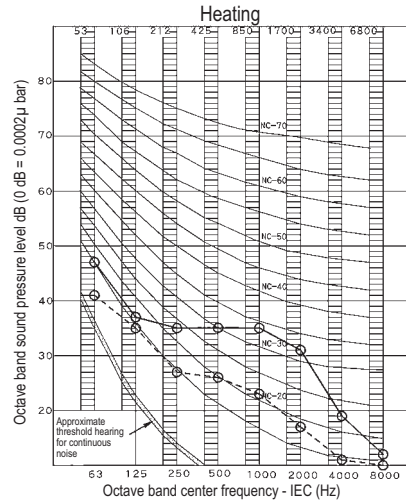
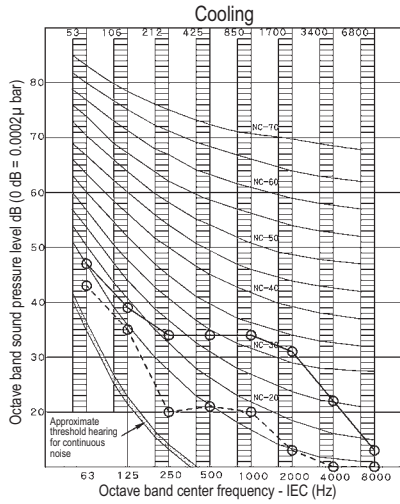
3D066507B

8 Sound data

8 - 1 Sound Pressure Spectrum

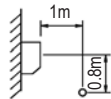
8

FTXG25JVW/S



NOTES

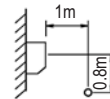
- Over All (dB): (B,G,N is already rectified)
- Measuring place: measure in anechoic room.
- Operation noise differs with operation and ambient conditions.
- Location of microphone.
JISC9612
The operation noise measuring method is in accordance with JISC9612



Scale	50Hz 220-240V	
	H	L
A	38	25

NOTES

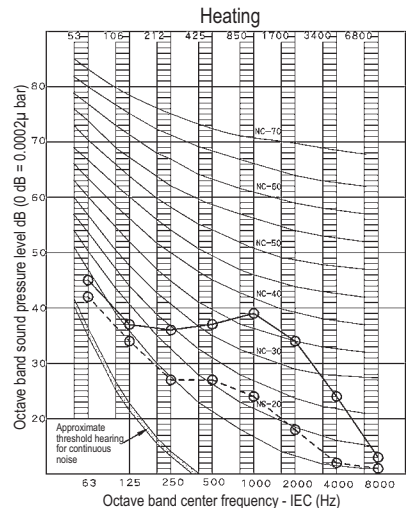
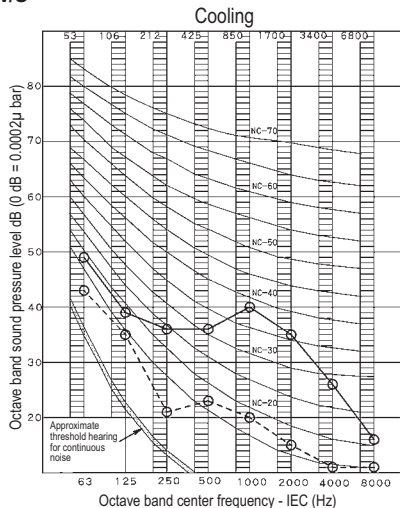
- Over All (dB): (B,G,N is already rectified)
- Measuring place: measure in anechoic room.
- Operation noise differs with operation and ambient conditions.
- Location of microphone.
JISC9612
The operation noise measuring method is in accordance with JISC9612



Scale	50Hz 220-240V	
	H	L
A	39	28

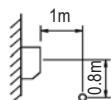
3D066708

FTXG35JVW/S



NOTES

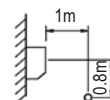
- Over All (dB): (B,G,N is already rectified)
- Measuring place: measure in anechoic room.
- Operation noise differs with operation and ambient conditions.
- Location of microphone.
JISC9612
The operation noise measuring method is in accordance with JISC9612



Scale	50Hz 220-240V	
	H	L
A	42	26

NOTES

- Over All (dB): (B,G,N is already rectified)
- Measuring place: measure in anechoic room.
- Operation noise differs with operation and ambient conditions.
- Location of microphone.
JISC9612
The operation noise measuring method is in accordance with JISC9612



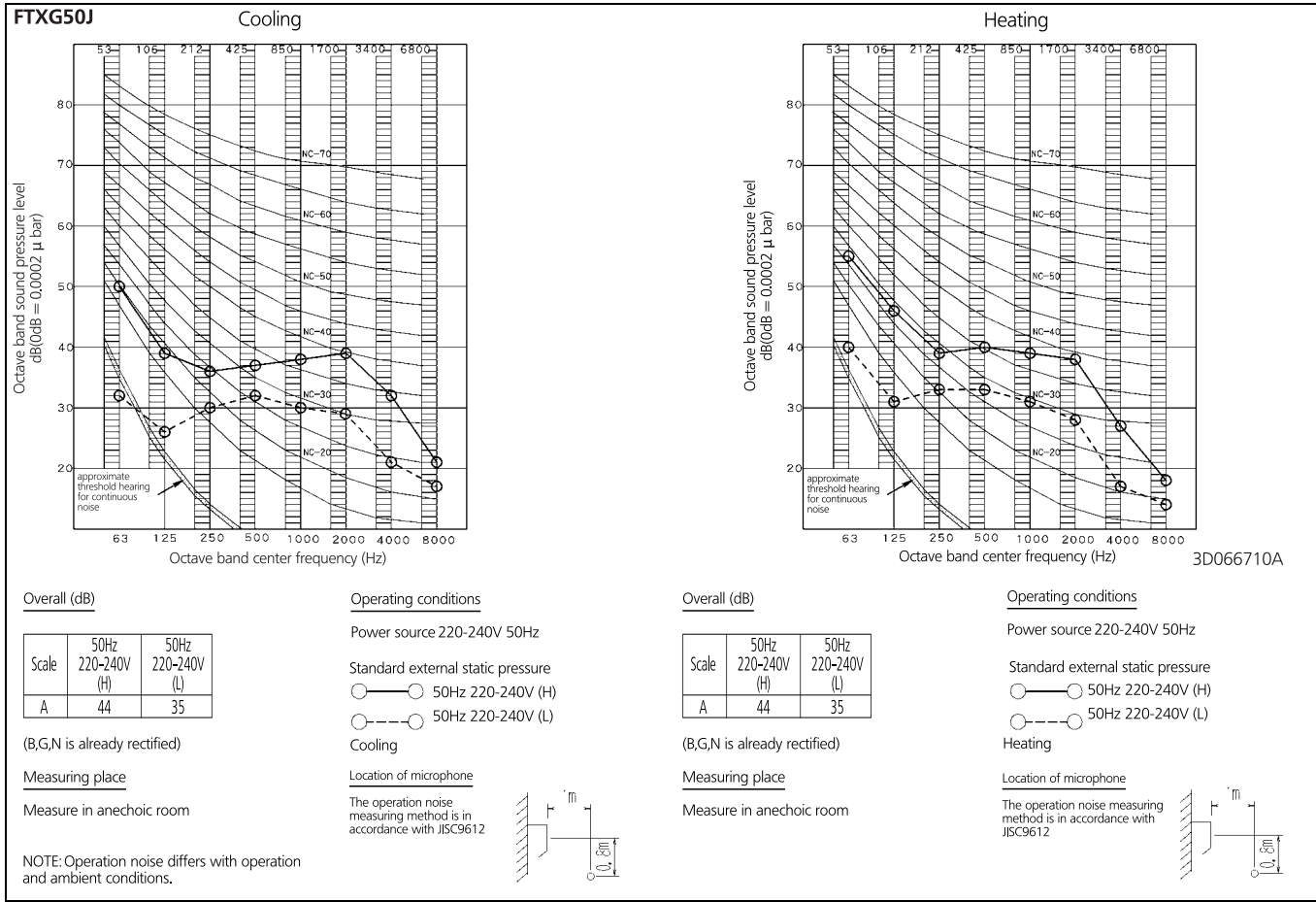
Scale	50Hz 220-240V	
	H	L
A	42	29

3D066709

9

8 Sound data

8 - 1 Sound Pressure Spectrum



3D066710A

8 Sound data

8 - 1 Sound Pressure Spectrum

8