



Control Systems

Technical Data

Simplified remote control for hotel applications

EEDEN14-204

BRC2E52C, BRC3E52C

TABLE OF CONTENTS

BRC2E52C, BRC3E52C

1	Features	2
2	Specifications	3
	Technical Specifications	3
	Electrical Specifications	3
3	Features and advantages	4
4	Dimensional drawings	6

1 Features

- Symbol driven end user interface for intuitive control
- Energy saving thanks to key card, window contact integration and set point limitation
- Contemporary design
- Flexible setback function ensures room temperature remains within comfortable limits to ensure guest comfort
- Flat back panel for easy installation
- Functions focus on basic customer needs: temperature, fan speed, ON/OFF
- Easy commissioning: intuitive interface for advanced menu settings

1



Wired remote control

2 Specifications

2-1 Technical Specifications				BRC2E52C	BRC3E52C
Casing	Colour			Fresh White	
	Button cover			No	
	Operation LED	Colour		Green	
Dimensions	Unit	HeightxWidthxDepth	mm	120x120x19	
	Packed unit	HeightxWidthxDepth	mm	150x160x55	
Weight	Unit		kg	0.200	
	Packed unit		kg	0.415	
Packing	Material			Carton	
	Weight		kg	0.050	
LCD	Type			Full dot (160 x 255)	
	Dimensions	Height	mm	43.2	
		Width	mm	68.85	
	Back light	Colour		White	
Temperature setting	Resolution		°C	1	
	Setpoint range	Cooling	°C	Depends on the indoor unit	
		Heating	°C	Depends on the indoor unit	
Ambient temperature	Operation	Min.	°C	-10	
		Max.	°C	50	
	Storage	Min.	°C	-20	
		Max.	°C	70	
	Relative humidity \<		%	95	
Backup for power failure				Yes (the clock wil keep functioning for period not exceeding 48 hours)	
2-2 Electrical Specifications				BRC2E52C	BRC3E52C
Wiring connections	Type of wires			Sheathed vinyl cord or cable	
	Size		mm ²	0.75 / 1.25	
	For connection with indoor	Quantity		2	
		Remark		P1-P2 wired connection from indoor unit	
Wiring length	Max.	m	500		
Back-up for power failure				Yes (The clock will keep functioning for a period not exceeding 48 hours)	

3 Features and advantages

3 - 1 Features and Advantages

BRC2E52C
BRC3E52C

3

(refer to 4TW33971-2 technical specifications)		
B) Summary of features:		
1. Basic remote controller		
The basic remote controller functions are: - on/off - operation mode change-over (only for BRC2E52C) cooling/ heating or auto C/H change-over mode (auto C/H change-over mode: single adjustable temperature setting) - temperature adjustment (°C) - fan speed adjustment - air flow direction adjustment		
2. Operation / userinterface		
direct buttons for: - on/off button - operation mode selector button (only for BRC2E52C) - temperature up/down buttons - fan speed button Others setting selectable via menu (by default not accessible, see permissions) Userinterface: different languages are included (depending on Language package)		
Language package 1	Language package 2	Language package 3
(standard supplied)		
7 Languages	7 Languages	7 Languages
1) English	1) English	1) English
2) German	2) Czech	2) Russian
3) French	3) Croatian	3) Greek
4) Italian	4) Hungarian	4) Turkish
5) Spanish	5) Slovenian	5) Polish
6) Portuguese	6) Romanian	6) Serbian
7) Dutch	7) Bulgarian	7) Slovak
note: With EKPCAB3 "PC USB cable" in combination with "updater" (PC software) the language package can be modified		
Button permission: (hidden menu) individual restriction of each button (on/off button, operation mode selector button, arrow buttons, fan speed button) (hidden menu) individual restriction of menu function (schedule, configuration, clock & calender, etc...) (hidden menu) individual operation mode (Fan only, Cooling, Heating, Auto, Dry, Ventilation (HRV only)) activation / de-activation and configuration by hidden menu (4 sec on menu button) pushing non-operable button: the "key" icon is NOT displayed. Nothing happens (+ NO message how to unlock)		
By default the menu/enter and cancel button usage is restricted. separately possible to activate / de-activate the menu/enter and cancel button by 4 button combination		
typical application: hotels, etc...		
Button lock function activation / de-activation by pushing 4 sec on menu button pushing non-operable button: message "key are locked" + "explanation how to unlock" message typical application: child lock		
Basic Screen: display Selection (standard/detailed display mode) (Example room temperature or outdoor temperature can be displayed in detailed display mode) Basic Screen: Symbols only (no text is used)		
3. Clock function		
real time clock (display 12h or 24 h time format) Daylight saving time (Summer/ winter time automatic change over)		

3 Features and advantages

3 - 1 Features and Advantages

BRC2E52C
BRC3E52C

4. Schedule timer function

(Schedule timer function disabled in case Interlock with external signals are installed)
3 independent schedules can be programmed: nr 1,2 & 3
(eg. Nr 1: summer schedule, nr 2: winter schedule , nr 3: intermediate schedule)
a maximum of 5 actions can be programmed for each day of the week (totalling 35 actions)
Schedule timer nr 1, nr 2 or nr 3 can be enabled/disabled at any time (but manual selection)
linked to a Cooling and heating set temperature or OFF (with setback or without setback) operation
"last command" overrules previous command until next scheduled command
Holiday function: the schedule timer will be disabled for days that have been set as holiday

5. Energy Saving features (menu always available)

Setpoint range limitation: The setting temperature range can be restricted.
(In cooling mode, heating mode and auto C/H mode)
The setback feature will maintain the space temperature in a specific range during unoccupied periods.
(setback is possible when unit is switched off and setback is enabled)
(setback is by default enabled in cooling & heating)
(setback setpoints can be changed when unit is switched off)
In case sensing sensor (only if the sensing sensor is installed)
Sensing Sensor (Low): setting temperature is automatically reduced (in heating)
or increased (in cooling) when no people are detected during certain period.
Sensing Sensor (Stop): turn off the unit when no people are detected during long period of time.
Setting temperature auto reset:
even if the setting temperature is change, it returns to the preset temperature
Off timer: After you turn on the unit, it will automatically turn off after a certain period.
Electricity consumption (only in case function is available on indoor unit):
Indicative electricity consumption is graphical displayed
different screens: today, last day, this week, last week, this year, last year
(Note: Displayed electricity consumption is not result of a kWh measurement, but results from a calculation with running data of the unit. Some factors in this calculation are absolute values, but other factors merely result from interpolations with tolerance. This explains why the readout may deviate from the actual electricity consumption.)

6. Quick start (only in case function is available on indoor unit)

7. Maintenance information

Model name display (only in case function is available on indoor unit)
Contact dealer telephone registration
In case there is an error: The service contact telephone number & model code will be displayed
(next to the error code)
Operating hours display (only in case function is available on indoor unit)
Operating status display (only in case function is available on indoor unit)

8. individual air flow direction (only if the individual air flow function is installed)

9. Interlock with 2 external signals (only in combination with BRP7A51 digital input adapter)
(Remark: only a static contact can be connected: Normally open or Normally closed)
Typical application: hotel interlock with fieldsupplied window contact B1 & key card B2
(In case Interlock with external signals is installed, schedule timer function is disabled)
(Possible to enable/disable the window contact B1 & key card B2 independently)

The interlock functionality:

Window contact B1:

An open signal will force the unit off (no setback)
A closed signal will return the unit to the previous state

Key card B2:

An open signal will force the unit off after a defined delay time.
(Also the reset timer will start to count down.)
(without or without setback function depending on setback setting)

A closed signal will

If reset timer is not finished:
return the unit to the previous state (at the time of the open signal)

If reset timer is finished:
return the unit to the "default reset setting" state (menu setting)

Previous State:

The previous state contains the cooling and heating setpoint, ON/OFF state and operation mode

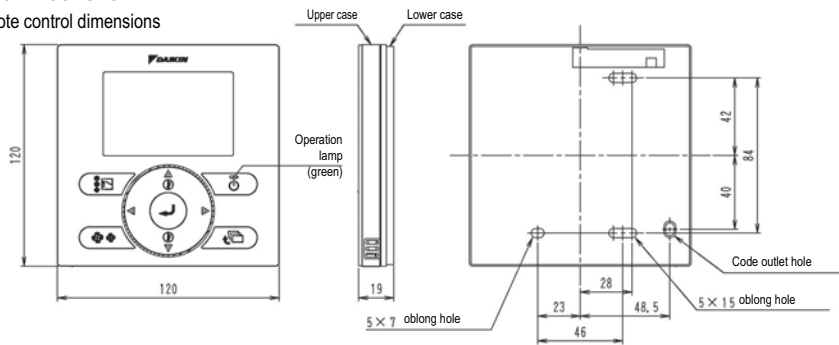
4 Dimensional drawings

4 - 1 Dimensional Drawings

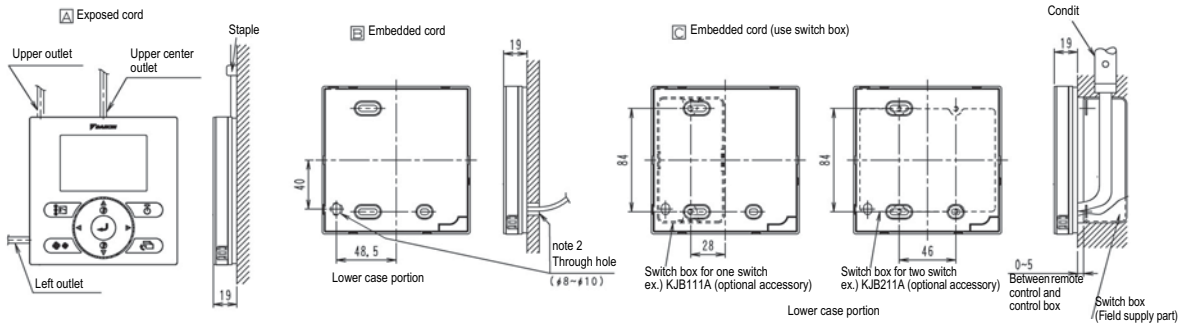
4

BRC2E52C / BRC3E52C

• Remote control dimensions



• Installation method



NOTES

1 Remote control cord and staple are not attached, they are field supplied parts.

• Specifications of cord

Type	Vinyl cord with sheath or cable (insulated thickness: 1mm or more)
Size	0.75-1.25mm ²
Total length	500m

2 If the hole size is too large or the location is not proper, the hole may come out from the remote control.

3D064037



These products are not within the scope of the Eurovent certification program

The present leaflet is drawn up by way of information only and does not constitute an offer binding upon Daikin Europe N.V.. Daikin Europe N.V. has compiled the content of this leaflet to the best of its knowledge. No express or implied warranty is given for the completeness, accuracy, reliability or fitness for particular purpose of its content and the products and services presented therein. Specifications are subject to change without prior notice. Daikin Europe N.V. explicitly rejects any liability for any direct or indirect damage, in the broadest sense, arising from or related to the use and/or interpretation of this leaflet. All content is copyrighted by Daikin Europe N.V.

BARCODE

Daikin products are distributed by: