

Caution

- Refer to the installation manual for both indoor unit and the decoration panel.
- If a separately provided sealing material kit is installed, the 3-way flow may not be selectable. For details, please refer to the technical materials or catalogues.

Contents of Kit

Prior to installation make sure you have the complete parts.

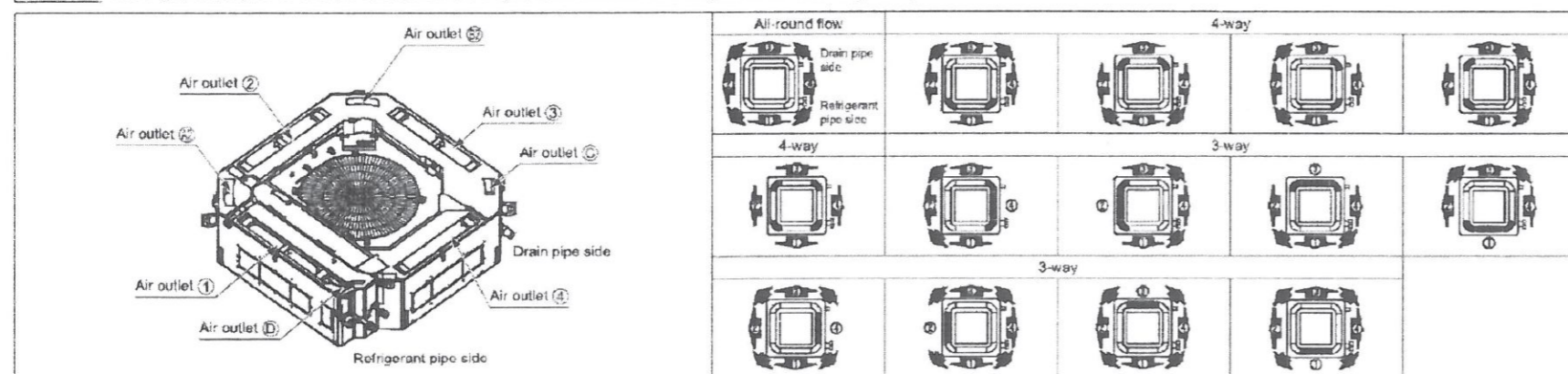
Name	Sealing material (Longitudinal air outlet)	Sealing material A, B (Air outlet at the corner)	Sealing material C (Air outlet at the corner)	Sealing material D (Air outlet at the corner)	Tape for fixing the sealing (Longitudinal air outlet)	Tape for fixing the sealing (Air outlet at the corner)	Tape for fixing the sealing (Air outlet at the corner)
Quantity	1 pc.	2 pcs.	1 pc.	1 pc.	1 pc.	3 pcs.	1 pc.
Shape - marking							

Name	Installation manual
Quantity	1 pc.(This manual)
Shape - marking	

1 The direction of air discharge and the positioning of sealing material

- (1) Selection of the air outlet
- Select the direction of air discharge from the following table according to the location of the indoor unit.
 - Refer to **On-site setting** for setting position number.
 - Refer to the installation manual attached to the indoor unit for selection of installation location.

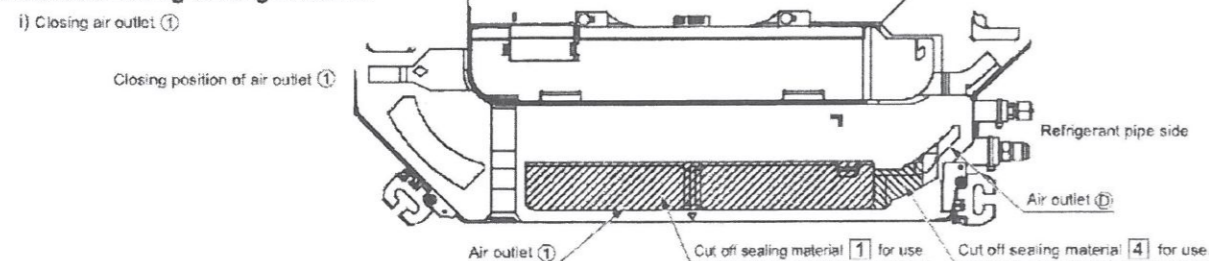
Caution Discharge direction patterns other than those shown in the figure below cannot be selected. (Dew condensation may occur.)



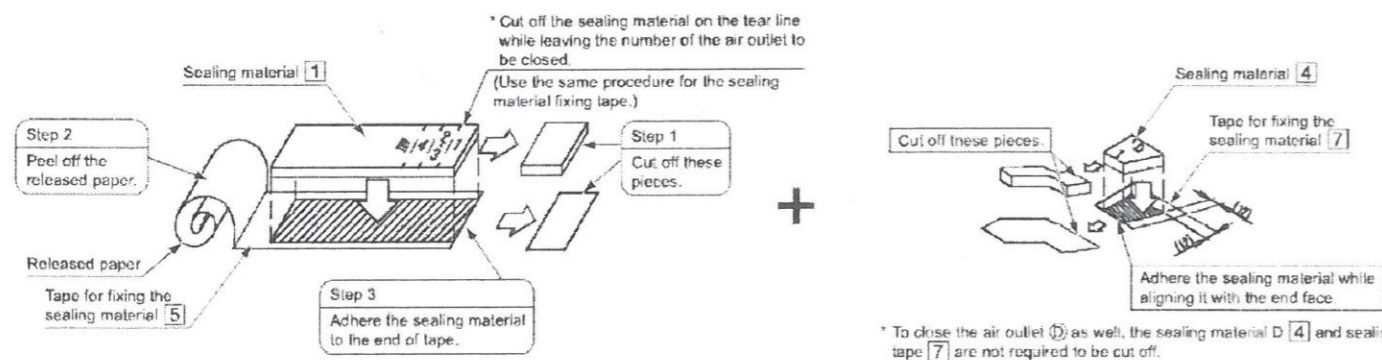
- (2) Prepare the sealing material and the tape for fixing the sealing material according to the air outlet ① to ④ to be closed.
- Cut off the sealing material and sealing material fixing tape on the tear line (dotted line). Cut off the sealing material fixing tape using scissors.
 - Adhere the sealing material to the sealing material fixing tape.
 - (Adhere the sealing material to the center of the sealing material fixing tape unless otherwise instructed.)

Caution Make sure the printed number remains visible while attaching the sealing material to the sealing material fixing tape, so that the sealing material can be identified.

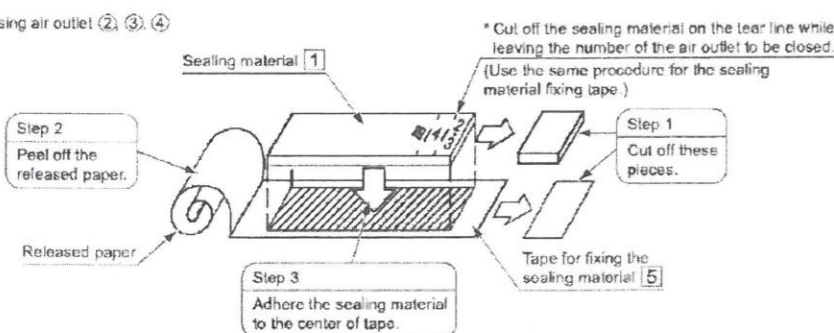
<Installation using sealing material>



* To close the air outlet ①, the sealing material D ④ will be used. Be careful not to throw away the sealing material.

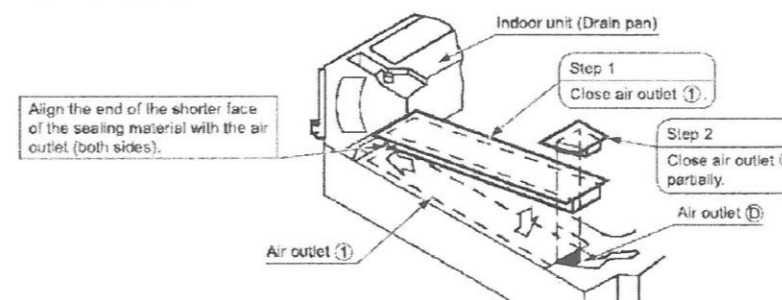


* To close the air outlet ② as well, the sealing material D ④ and sealing material fixing tape ⑦ are not required to be cut off.

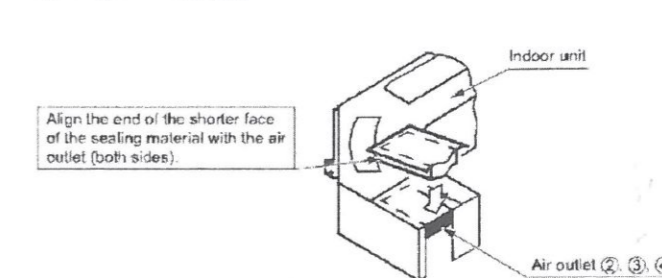


- (3) Adhere the sealing material created in step (2) to the air outlet of the indoor unit.

i) Closing air outlet ①



ii) Closing air outlet ②, ③, ④

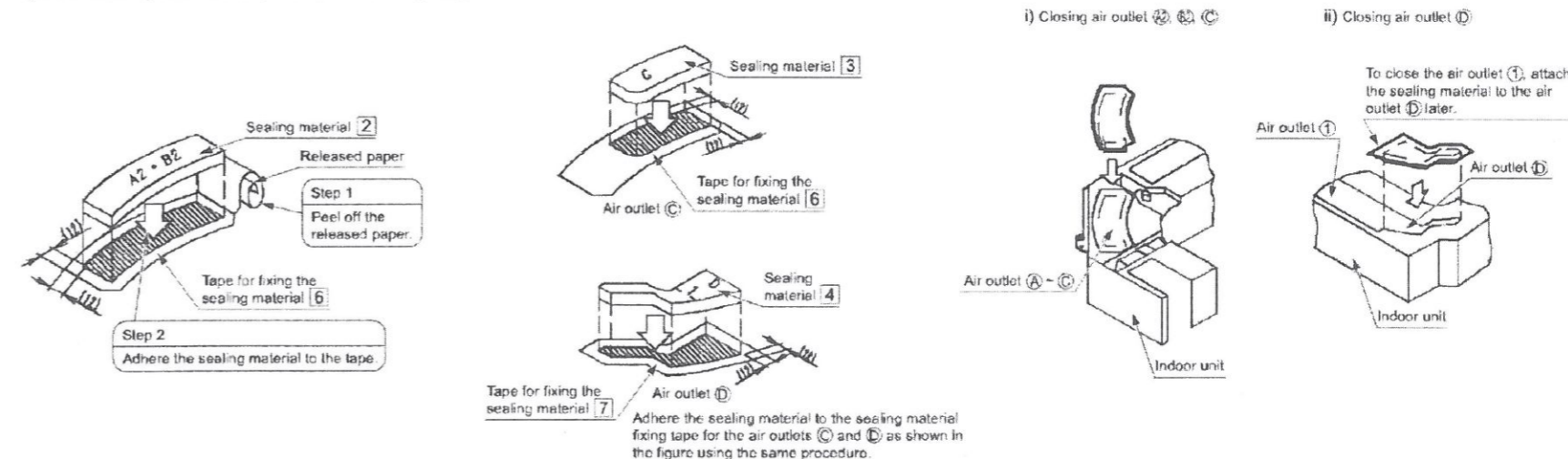


Caution

Adhere the sealing material without creating a clearance and detachment between the sealing material and air outlet. Air discharge and dew condensation may occur.

- (4) Adhere the sealing material to the sealing material fixing tape for the corner air outlets ① to ④ to close them. (Adhere the sealing materials to the positions shown in the figures.)

- (5) Adhere the sealing material created in step (2) to the air outlet of the indoor unit.



Caution

- Make sure the printed number remains visible while attaching the sealing material to the sealing material fixing tape, so that the sealing material can be identified.
- To close both air outlet ① and air outlet ②, attach the sealing material to the air outlet ① first.

2 On-site setting

- Perform on-site setting using the remote controller after power is supplied in accordance with the manual provided with the remote controller depending on the installation conditions.

- The 3 different kinds of setting such as "Mode number", "First code number" and "Second code number" must be made by the remote controller.
- The setting and operation procedures are written in the manual provided with the remote controller.
- Do not perform settings that are not listed in the table.

(a) Setting according to number of air outlet used

Switch the "Second code number" shown in the table below depending on the number of air outlet used. When the corner air outlets are closed for the 4-way flow, set the air flow direction to "downward".
Note: If the installation position is higher than the standard ceiling height, "(b) Setting according to height of ceiling" is necessary.

(Setting according to number of air outlet used)

Setting	Mode number (Note)	First code number	Second code number
All-round flow - 4-way	13 (23)	1	01
3-way flow			02

(Setting when the corner air outlets are closed for 4-way flow)

Setting	Mode number (Note)	First code number	Second code number
Standard air flow direction	13 (23)	4	02
Downward air flow direction			03

Note: The "Mode number" is normally set collectively for a group. In order to set each indoor unit individually and perform checks after the settings, specify the mode number in parenthesis.

(b) Setting according to height of ceiling

For the ceiling height, refer to the ceiling height and number of air outlet used. Then switch the "Second code number" shown in the table below depending on the number of air outlets.

(Setting according to ceiling height)

Setting	Mode number (Note)	First code number	Second code number
Standard	13 (23)	0	01
High (1)			02
High (2)			03

Note: The "Mode number" is normally set collectively for a group. In order to set each indoor unit individually and perform checks after the settings, specify the mode number in parenthesis.

(Ceiling height and number of use of air outlet)

Indoor unit	Ceiling height	Number of use of air outlet					
		71 class			100-140 classes		
		All-round flow	4-way air discharge	3-way air discharge	All-round flow	4-way air discharge	3-way air discharge
Standard	2.7 m or less	3.1 m or less	3.0 m or less	3.2 m or less	3.4 m or less	3.6 m or less	
High (1)	3.0 m or less	3.4 m or less	3.3 m or less	3.6 m or less	3.9 m or less	4.0 m or less	
High (2)	3.5 m or less	4.0 m or less	3.5 m or less	4.2 m or less	4.5 m or less	4.2 m or less	

Values for ceiling height are for reference.