

1.13. **KDBHJ55B160 – Sealing material of air discharge outlet**

**Caution**

- Refer to the installation manual for both indoor unit and the decoration panel.
- When you install another optional kit, it may not be possible to select the 3-way or 2-way air discharge. For details, refer to the manual for the optional kit or the catalogue.

Optional kit	4-way air discharge	3-way air discharge	2-way air discharge
High efficiency filter chamber	0	X Not possible to install	X Not possible to install

• **Contents of Kit** Prior to installation make sure you have the complete kit of parts.

Name	Sealed Material	Fixed tape for Sealing Material	Insulation for Side Plate	Moisture Absorber for Bell-Mouth	Insulation for Bell-Mouth	Moisture Absorber for Horizontal Vane	
Quantity	2 pieces	2 pieces	1 piece	2 pieces	1 piece	1 piece	
Shape-marking	①	②	③	④ 100x1160	⑤ 35x1055	⑥	⑦

① **The direction of air discharge and the positioning of sealing material**

**(1) Selection of air outlet**

- Select the direction of air discharge from the following table according to the location of the indoor unit. Refer to ② **Setting of indoor unit** for setting position number.
- Refer to the installation manual attached to the indoor unit for selection of installation location.

**Caution**

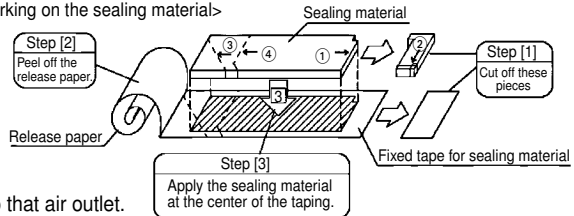
Never select the direction of air discharge other than the following pattern. (You may have a condensation problem.)

	Setting position No.	02	02	02	02
	3-way discharge				
	Setting position No.	03	03	03	
	2-way discharge				

- Work on the sealing materials and the fixed tapes for sealing material according to the air outlet number to be closed.
- Cut off the sealing materials and the fixed tapes for sealing material along the perforated lines (marked - - -).
- Apply the sealing materials onto the fixed tapes for sealing material. (Make sure that the sealing material is at the center of the taping.)

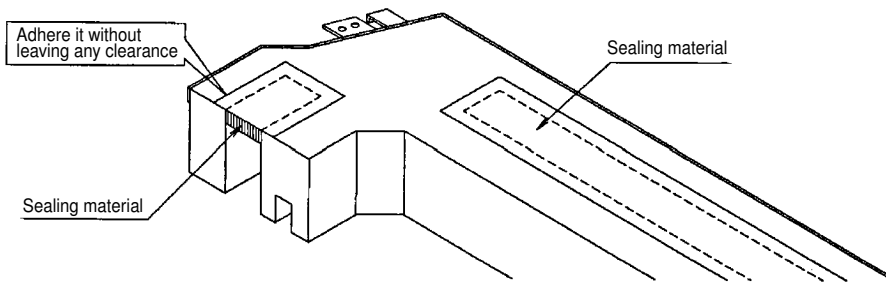
Example: For closing the air outlet ①

<Working on the sealing material>



**(2) Installation of sealing material**

Make sure each symbol of sealing materials corresponding to that air outlet.



(B0233)

## ② Setting of the indoor unit

It is required to make a local setting on the remote control according to the installation of indoor unit.  
The direction of air discharge should also be set by the remote control.

- The 3 different kind of setting such as "Mode number", "The setting switch number" and "The setting position number" should be made by the remote control.
- Refer to the item of "Local setting" on the operation manual of the remote control for the setting procedure.

- (1) Set according to the table of "The direction of air discharge and the installation of the sealing material".  
Check the setting position number corresponding to the direction of air discharge.
- (2) Refer to the item of "Local setting" of the operation manual for the remote control and change the setting according to the position determined by (1) as shown in the table below.

	Mode number	Setting switch number
Setting of the direction of air discharge	13 (23)	1

(Ceiling height is reference value)

		~ 71 type			80 ~ 125 type			Ceiling height setting position number
		4-way air outlet	3-way air outlet	2-way air outlet	4-way air outlet	3-way air outlet	2-way air outlet	
Ceiling height (m)	Standard	~ 2.7	~ 3	~ 3.5	~ 3.2	~ 3.6	~ 4.2	01
	Semi-high	2.7 ~ 3	3 ~ 3.3	3.5 ~ 3.8	3.2 ~ 3.6	3.6 ~ 4	~ 4.2	02
	High	3 ~ 3.5	3.3 ~ 3.5	—	3.6 ~ 4.2	4 ~ 4.2	—	03

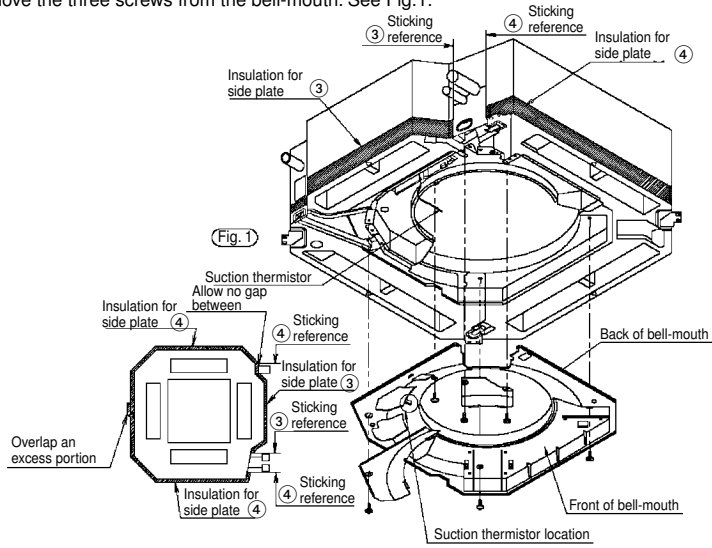
### Caution

Refer to the table for the height of the ceiling for each direction of air outlet. (The setting of the ceiling height is also required)

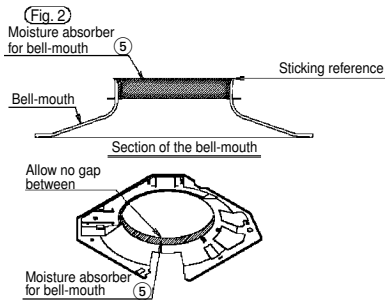
(B0234)

### ③ Installation of the insulation

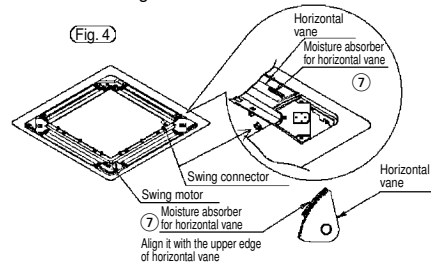
- (1) Remove the three screws (large and small) from the switch box cover on the indoor unit itself. Detach this cover.
- Disconnect the suction thermistor from the bell-mouth clamp.
  - Remove the three screws from the bell-mouth. See Fig.1.



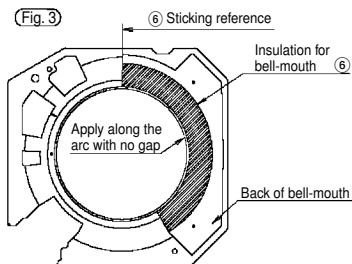
- (2) Apply the insulations for side plate (3) and (4) in position, referring to Fig.1.
- (3) Apply the moisture absorber for bell-mouth (5) on the inner surface of the bell-mouth. See Fig. 2.



- (5) Place the indoor unit's bell-mouth and the suction thermistor back into position.
- (6) Apply the moisture absorber for horizontal vane (7) on the inner surface of the horizontal vane. See Fig. 4.



- (4) Apply the insulation for bell-mouth (6) on the back of the bell-mouth. See Fig.3



(B0235)