

6. FUYP

6.1. KDBHJ49F80 – Sealing member of air discharge outlet

Note

- This kit can be attached to the ceiling suspended cassette type.
- Refer to the installation manual of the indoor unit body as well as this instruction for the installation.
- This kit is for sealing the air outlets of B and D. Do not attach it to the outlet of A and C. (The figure on the right shows the pattern of air outlet after the kits have been attached.)

View from a ceiling level.

Contents of kit Make sure this kit contains the following parts.

Name	Sealing decoration plate	Connecting plate	Fixing metal	Screw	Installation manual
Shape	For the air outlet B (Short) For the air outlet D (Long)			M4 x 8	
Quantity	1 set	1 set	1 set	1 set	1 sheet

Dimensions

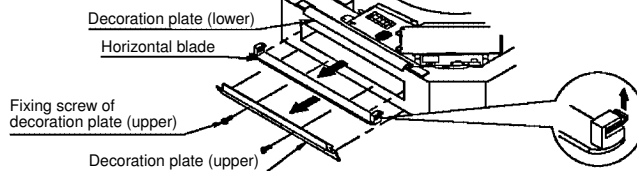
Model	A	B
KDBHJ49F80	100	100
KDBHJ49F140	155	155

Model	Material
KDBHJ49F80	Galvanized steel plate
KDBHJ49F140	(with Flocking)

1 Preparation for installation

Before the installation of the main unit, be sure to attach it in the state that the corner cover has been removed.

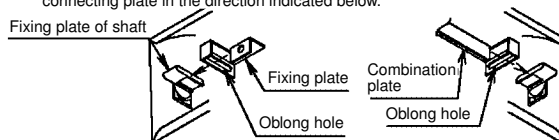
- Remove the horizontal blade and the upper decoration plate from the air outlet B and D on the main unit.



2 Attachment onto the indoor unit

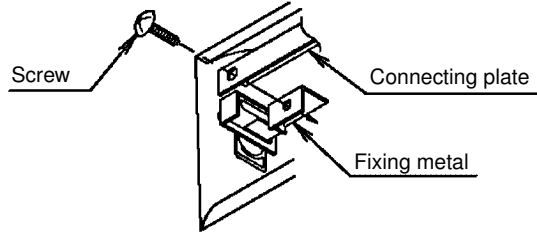
- Attach the connecting plate to the air outlet D.
- Take notice for the fact that the auto-swing of the horizontal blade on the A will not work when this kit is attached to the air outlet B.

(1) Pass the fixed plate of the shaft through the oblong holes on the fixed metal and the connecting plate in the direction indicated below.

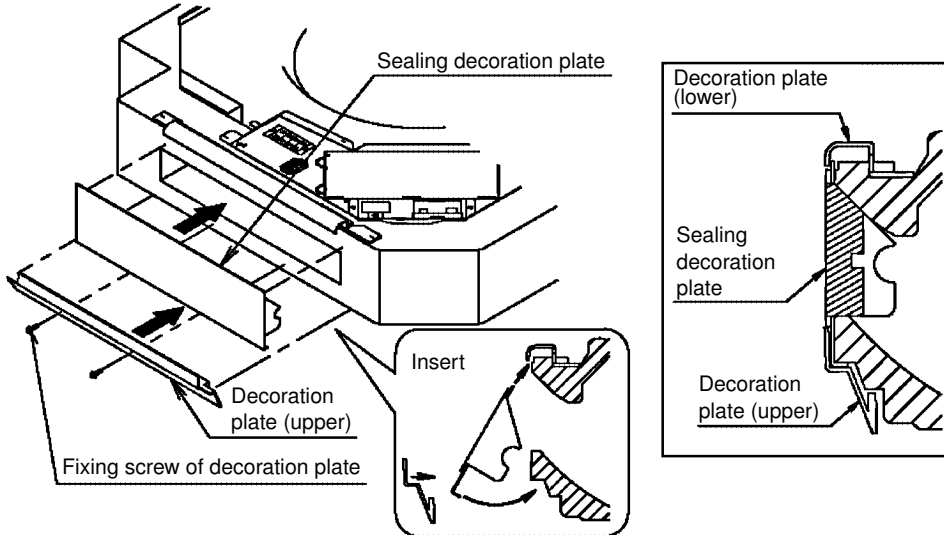


J : 3P003049-1B

(2) Fix the fixing metal and the connecting plate with the screw in the accessories.



- Attach the sealing decoration plate the air outlet B and D, and then attach the decoration plate (upper)



Unless the sealing materials are attached as indicated, take notice that it may cause the dew formation and the suction air leakage.

3 Field setting by using the remote control

- The field setting is required for the two-way discharge when this kit is attached. Refer to "Gist of Field Setting" attached in the remote controller for the setting procedure and the operation and then switch over the setting position number as follows.

Attaching KDBHJ49F80

Attaching KDBHJ49F140

Mode No.	First Code No.	Second Code No.	Mode No.	First Code No.	Second Code No.
13 (23)	1	03	13 (23)		
	5	03			

The second code No. was set to "01" for 4-way discharge at the delivery

Make sure the auto-swing action if it moves smoothly after the field setting.

J : 3P003049-1B