

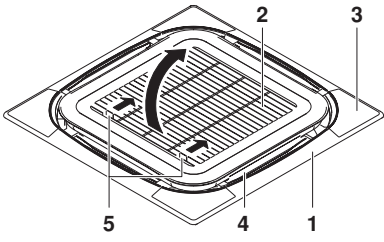
DAIKIN



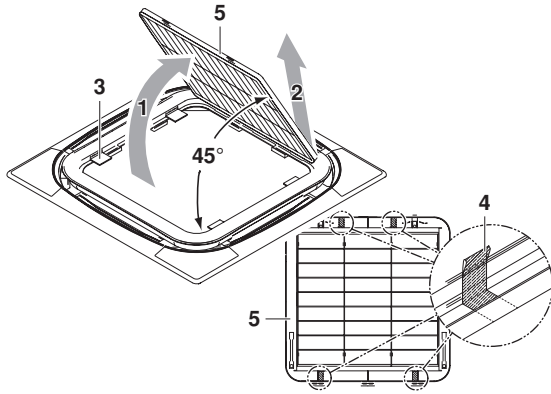
INSTALLATION MANUAL

Decoration panel

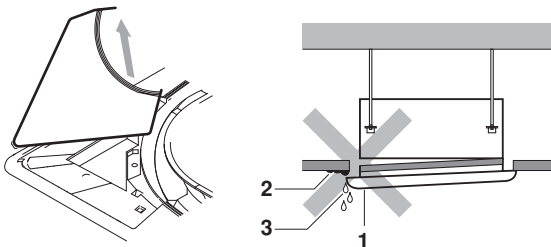
BYCQ140CW1
BYCQ140CW1W



1

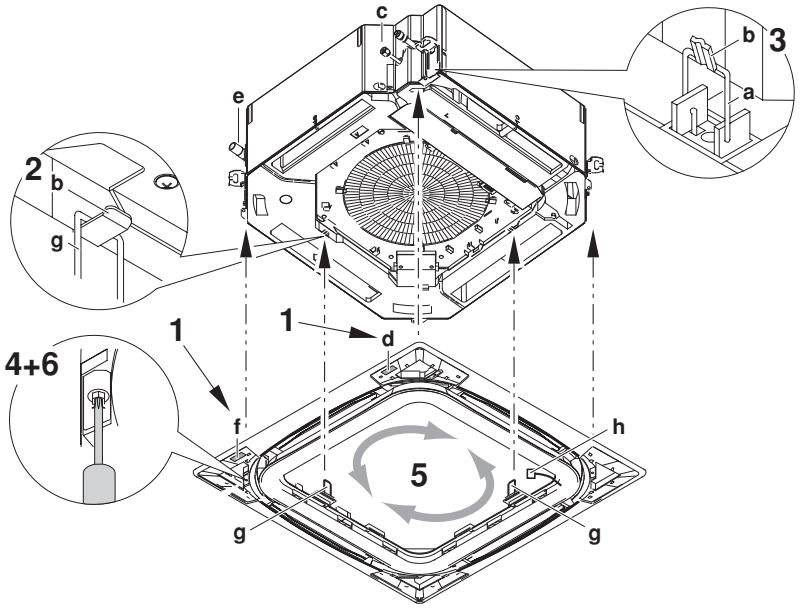


2

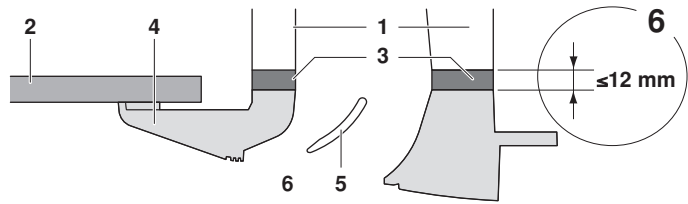


3

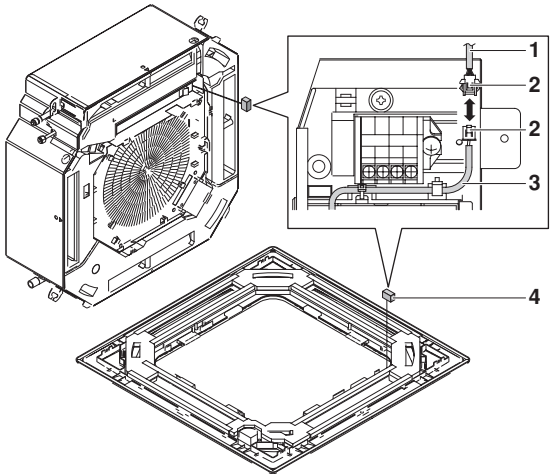
4



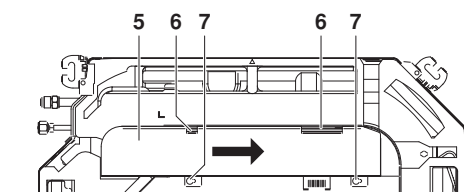
5



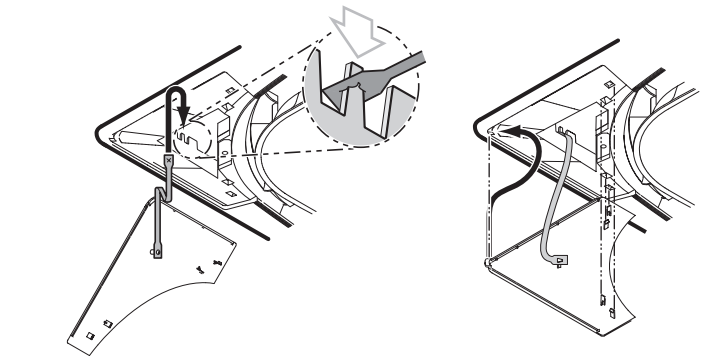
6



7



8



9



■ **The BYCQ140CW1W has white insulations.**

Be informed that formation of dirt on white insulations is visibly stronger and that it is consequently not advised to install the BYCQ140CW1W decoration panel in environments exposed to concentrations of dirt.

When using the BYCQ140CW1W decoration panel it is advised to change the filter cleaning display indications on the remote controller from light to heavy. Changing the setting to heavy corresponds to filter cleaning display indications in case of higher contamination of the air. Refer to the indoor unit installation manual under paragraph "setting air filter sign" or "field setting", depending on the type of indoor unit.

- Read this manual attentively before installation. Do not throw it away. Keep it in your files for future reference.

Improper installation or attachment of equipment or accessories could result in electric shock, short-circuit, leaks, fire or other damage to the equipment. Be sure only to use accessories made by Daikin which are specifically designed for the use with the equipment and have them installed by a professional. If unsure of installation procedures or use, always contact your dealer for advice and information.

BEFORE INSTALLATION

- Leave the unit inside its packaging until you reach the installation site.
- Refer to the installation manual of the indoor unit for items not described in this manual.

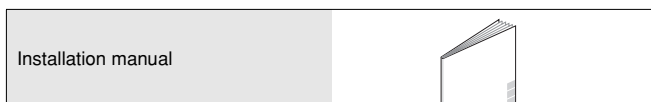
NOTE



To the installer

Be sure to instruct the customer how to properly operate the system showing him or her the operation manual of the indoor unit.

Accessories



PREPARATION BEFORE INSTALLATION

For this unit, you are able to select air flow directions. To discharge air in 2 or 3 directions, it is necessary to purchase the optional blocking pad kit for sealing air discharge outlets.

Handling of the decoration panel

To prevent any damage to the decoration panel, take care of the following:

- Never place the panel facing down.
- Never let the panel lean against a wall.
- Never put it down on a projecting object.
- Never touch or put pressure on the swing flap in order to prevent malfunction of the swing flap.

Preparing the decoration panel for installation

- 1 Remove the suction grille from the decoration panel.

- Push the suction grille lever (5) inward and open the grille (2). (See figure 1)

- 1 Decoration panel
- 2 Suction grille
- 3 Corner decoration cover
- 4 Swing flaps
- 5 Lever

- See figure 2. Detach the suction grille from the decoration panel by lifting the grille up approximately 45 degrees (1) until the position is reached on which removal of the grille is possible (2).

- Remove the transporting cardboard (3) from the decoration panel (in 4 locations).

- Remove the transporting tape (4) from the back of the suction grille (5) (in 4 locations).

- 2 Remove the corner decoration cover on each corner by pulling it up in the direction of the arrow. (See figure 3)

INSTALLATION OF THE DECORATION PANEL TO THE INDOOR UNIT

Refer to the installation manual of the indoor unit for details on installing the indoor unit.

- 1 Install the decoration panel (See figure 5)

- a Mounting bracket
- b Hook
- c Piping section
- d "Piping side" marking
- e Drain section
- f "Drain side" marking
- g Temporary latch
- h Swing flap motor lead wire

- 1 Hold the decoration panel against the indoor unit by matching the piping side and drain side marks on the decoration panel with the position of the piping section and drain section of the indoor unit.
- 2 Temporarily install the decoration panel to the indoor unit by hanging the temporary latch into the hooks of the indoor unit body. (2 locations)
- 3 Hook the 4 mounting brackets on the corner sections of the decoration panel onto the hooks around the indoor unit body. Make sure that the swing flap motor lead wire is not caught between the indoor unit and the decoration panel.
- 4 Screw all 4 hexagon head screws located in the corner section in for approximately 5 mm. The panel will rise.
- 5 Adjust the decoration panel by turning it in the direction indicated by the arrows on the figure so that the ceiling opening is completely covered.
- 6 See figure 6 (cross section of the air outlet) and tighten the hexagon head screws until the thickness of the sealing material between the decoration panel and the indoor unit reduces to 12 mm or less.

- 1 Indoor unit
- 2 Ceiling
- 3 Sealing material
- 4 Decoration panel
- 5 Swing flap
- 6 Air outlet

Precautions

- Improper tightening of the screws (see [figure 4](#)) may cause air to leak into the unit and between the ceiling and the decoration panel (1) resulting in formation of contamination (2) and dew (3).
- If there is a gap remaining between the ceiling and the decoration panel after tightening the screws, re-adjust the indoor unit body height (see [figure 9](#)). Adjustment of the indoor unit body height is possible through the holes in the corners of the decoration panel. The indoor unit must be kept levelled and the drain piping kept unaffected.

2 Wiring of the decoration panel (See [figure 8](#))



Make sure to turn off the power supply before wiring!

- 1 Swing flap motor lead wire (decoration panel side)
- 2 Connector
- 3 Swing flap motor lead wire (indoor unit side)
- 4 Swing flap motor lead wire
- 5 Electric components box lid
- 6 Hooks
- 7 Screw (2 locations)

- Remove the electric components box lid. Loosen the 2 screws, slide the electric components box lid in the direction of the arrows and disengage it from the hooks.
- Securely connect the connectors for swing flap motor lead wire installed on the decoration panel.
- Replace the electric components box lid reversing the procedure to remove it.



Make sure that the swing flap motor lead wire is not caught between the indoor unit and the decoration panel and inbetween the electric component box lid.

INSTALLATION OF THE SUCTION GRILLE AND THE CORNER DECORATION COVER

Install the suction grille

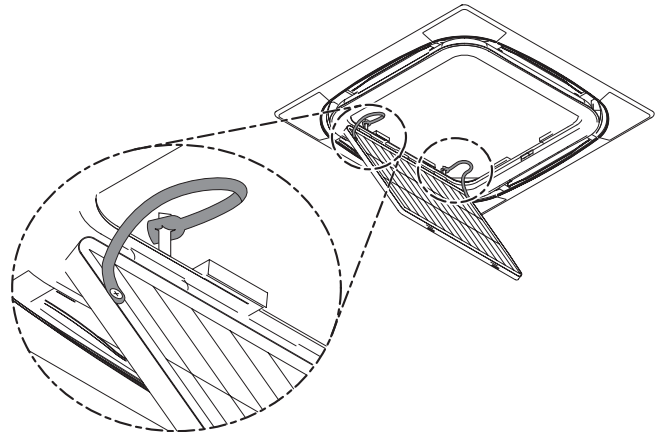
Install the suction grille by reversing the procedure shown in paragraph "[Preparing the decoration panel for installation](#)" on [page 1](#).

- After hooking the suction grille to the decoration panel, attach the strings of the suction grille to the pins of the decoration panel.

NOTE



Make sure that strings are pushed down to the footing of the pins, so that strings cannot shove off the pins.



- It is possible to install the suction grille in 4 directions by simply turning it 90 degrees.
- Change the direction when adjusting the direction of the suction grille of multiple units or to comply with demands of the customer.

NOTE



Make sure that strings are not hanging out inbetween the decoration panel and the suction grille.

Install the corner decoration cover

(See [figure 7](#))

- 1 Attach the string of each corner decoration cover to the pin of the decoration panel.

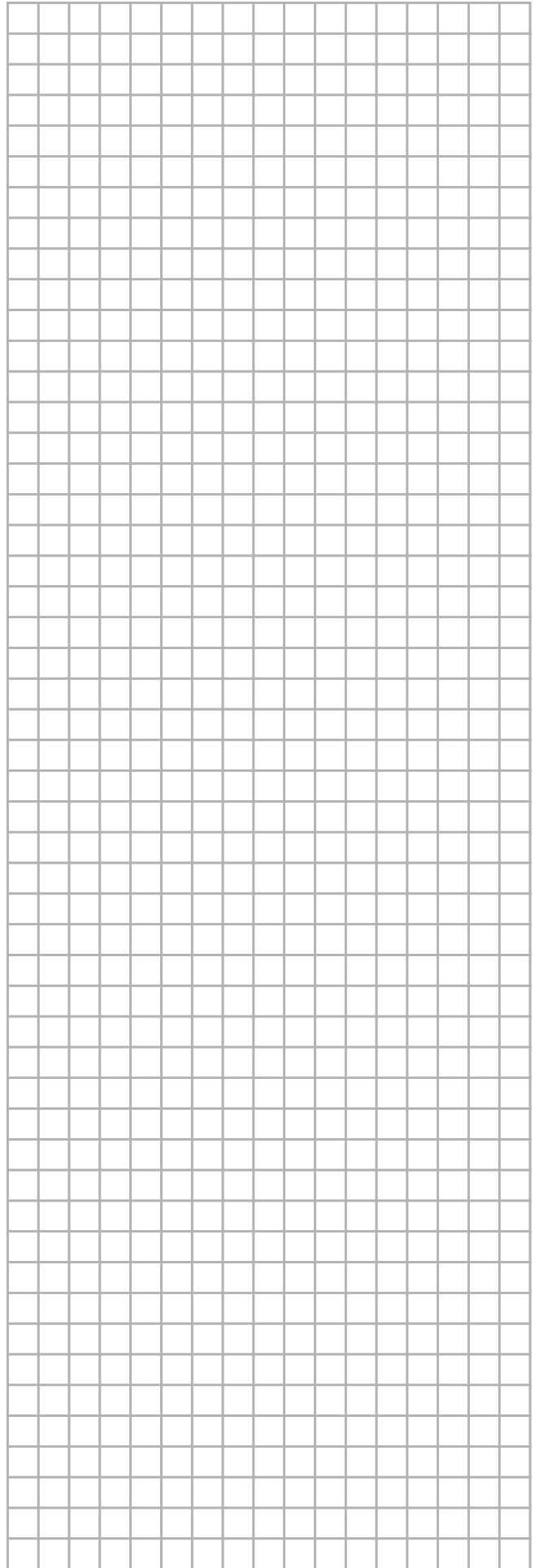
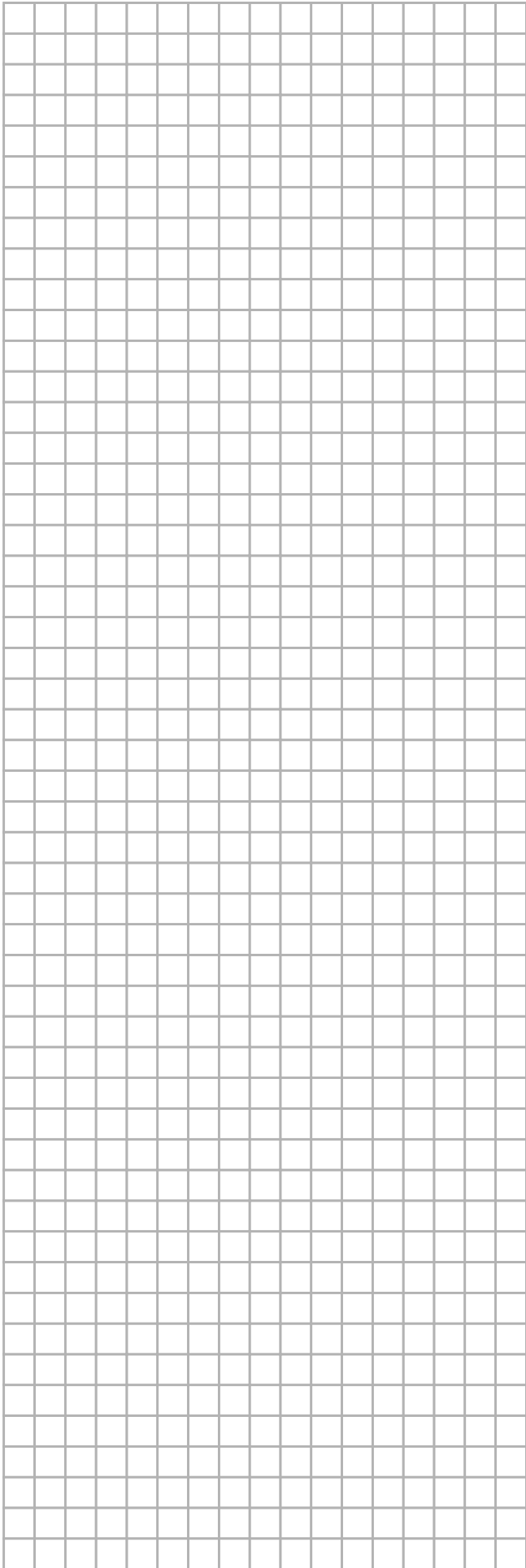
NOTE



When the corner decoration cover gets loose during maintenance of the decoration panel of the indoor unit, the string prevents the corner decoration cover from falling on the floor and getting damaged.

- 2 Install each corner decoration cover.
 - First insert the hook at the square tip of the corner decoration cover into the hole at the decoration panel corner.
 - Then position the 4 latches of the corner decoration cover to fit into the holes of the decoration panel and gently push the corner decoration cover onto the decoration panel.

NOTES





4PW48467-1 000000G

Copyright © Daikin

DAIKIN EUROPE N.V.

Zandvoordestraat 300, B-8400 Oostende, Belgium

4PW48467-1